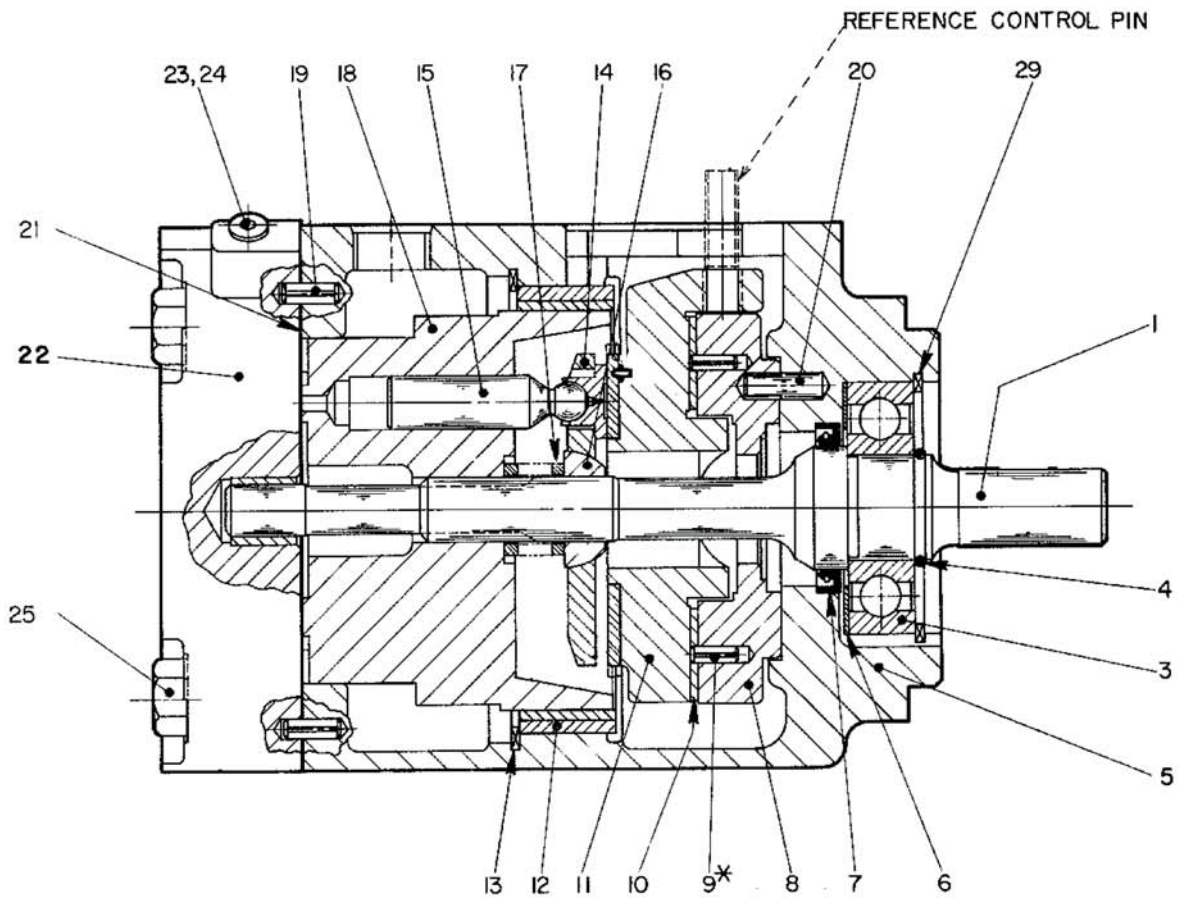
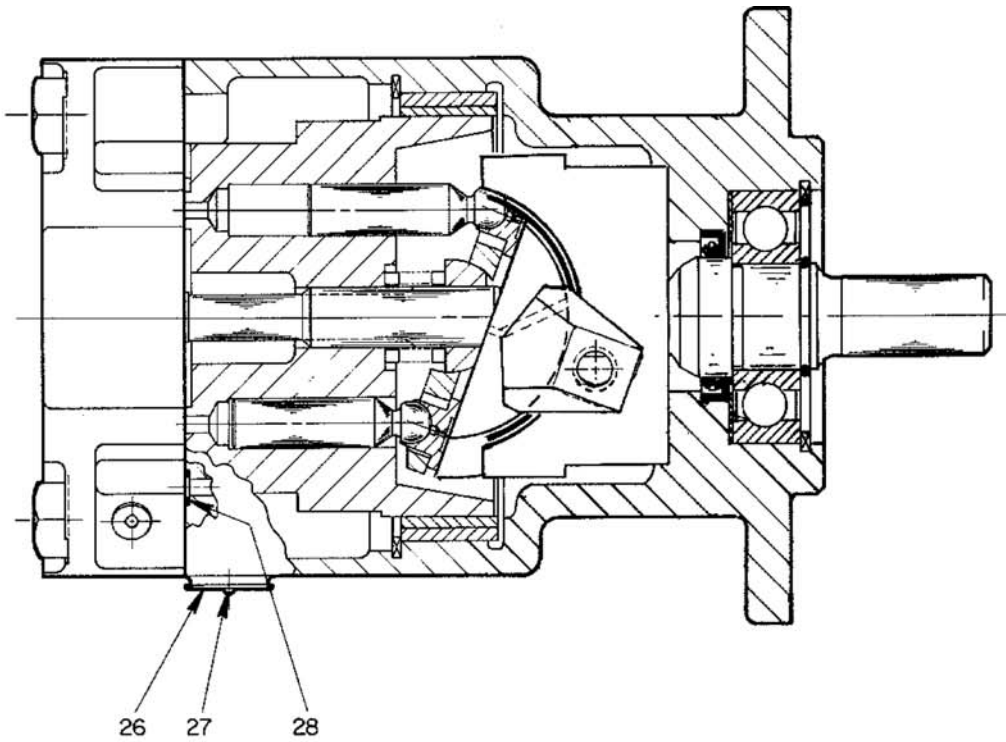

Hydraulic Pump



*ROLL PINS TO EXTEND
 $0.06^{+0.01}$ [1,5^{+0,25}] FROM
 SADDLE SURFACE.

Hydraulic Pump

Item	Part No.	Qty	Description	Item	Part No.	Qty	Description
239790 Hydraulic Pump				CN Control Assembly			
1	-----	1	. Driveshaft w/SAE Spline	303	-----	4	. Screw
3	-----	1	. Bearing	355	-----	1	. O-Ring
4	-----	1	. Ring, Shaft Retainer	356	-----	1	. O-Ring
5	-----	1	. Pump Housing	357	-----	1	. Nut, Jam
6	-----	1	. Retainer, Seal	358	-----	1	. Screw, Pressure Adjusting
7	*	1	. Shaft Seal	359	-----	1	. Plug
8	-----	1	. Block, Saddle	360	-----	2	. Plug
9	-----	2	. Roll Pin	361	-----	1	. Plug
10a	-----	1	. Bearing, Upper Saddle	362	-----	1	. Piston, Control
10b	-----	1	. Bearing, Lower Saddle	363	-----	1	. Spool, Pressure Comp.
11	-----	1	. Swashblock Kit	364	-----	1	. Seat, Spring
12	-----	1	. Bearing	365	-----	1	. Gasket
13	-----	1	. Retainer Ring	366	-----	1	. Spring, Pressure Comp.
14	-----	1	. Retainer, Shoe	367	-----	1	. Orifice, Control Piston (.040)
15	-----	7	. Piston/Shoe Assembly	368	-----	1	. Control Housing
16	-----	1	. Ball, Fulcrum	369	-----	1	. Gasket, Control Housing
17	-----	1	. Spring, Shoe Retainer	370	-----	1	. Spring, Control Piston
18	-----	1	. Barrel, Cylinder	371	-----	1	. Plug, Control
19	-----	2	. Roll Pin	372	-----	1	. Cover, Control Housing
20	-----	1	. Pin, Saddle Locating	373	-----	1	. Pin, Control Piston
21	*	1	. Gasket	374	-----	4	. Screw
22	-----	1	. Valve Plate, Rear Port, LH	375	-----	2	. O-Ring
23	*	1	. Seal, O-Ring	376	-----	1	. Pressure Comp. Adjusting Assy
24	-----	1	. Plug	380	-----	2	. O-Ring
25	-----	4	. Screw, Hex Hd				
26	-----	1	. Nameplate				
27	-----	2	. Screw				
28	*	1	. Seal, O-Ring				
29	-----	1	. Ring, Driveshaft Bearing Retainer				

* Included in 235793 Seal Kit, Viton

