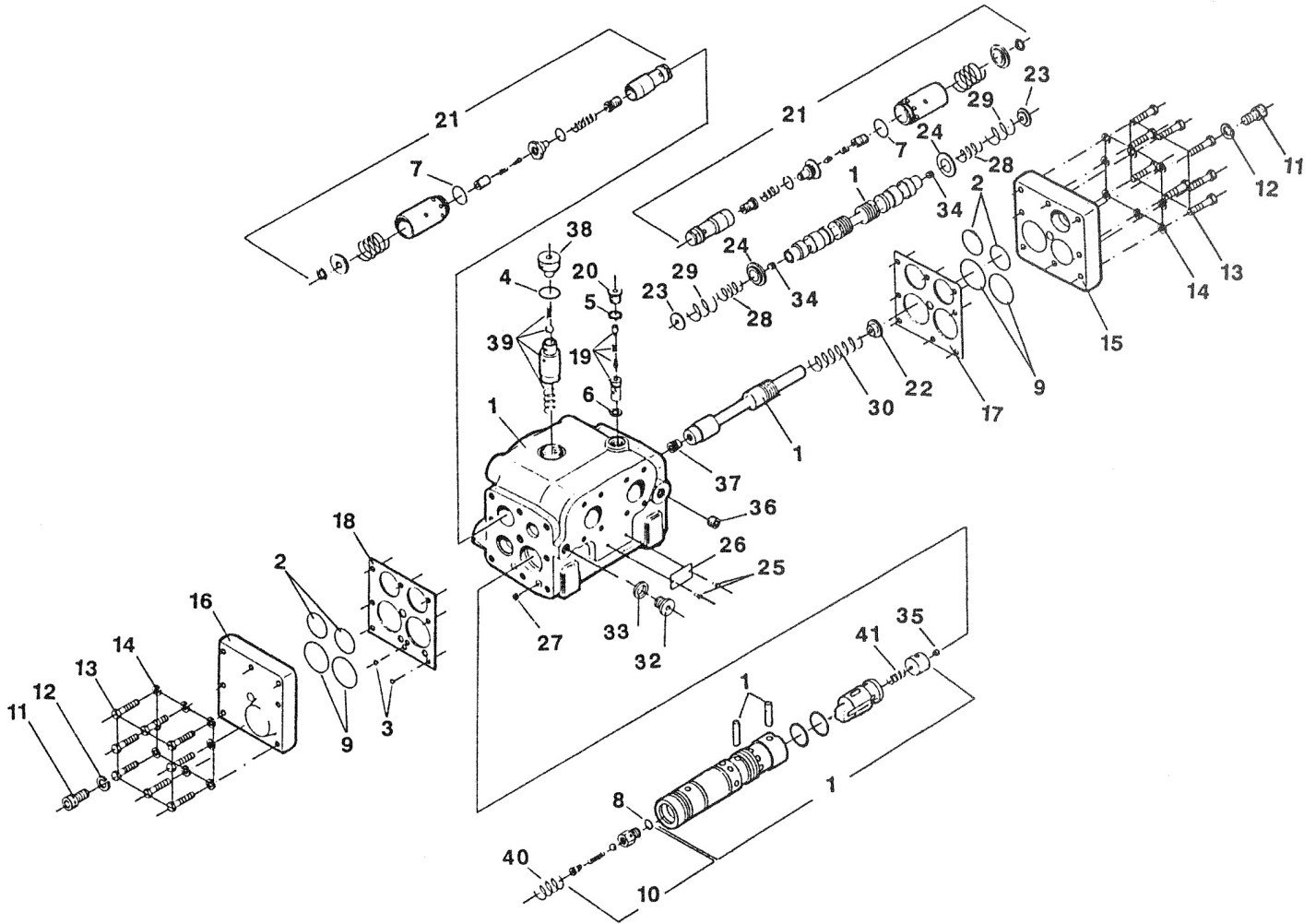


Steering Flow Amplifier



Item	Part No.	Qty	Description	Item	Part No.	Qty	Description
<b>234990 Steering Flow Amplifier</b>							
1	N.S.S.	1	. Housing	23	234626	2	. Stop
2	* -----	4	. O-Ring	24	234627	2	. Spring Guide
3	* -----	2	. O-Ring	25	234813	2	. Drive Screw
4	* -----	1	. O-Ring	26	234814	1	. Nameplate
5	* -----	1	. Washer	27	234628	1	. Orifice
6	* -----	1	. Washer	28	234629	2	. Spring
7	* -----	2	. O-Ring	29	234630	2	. Spring
8	* -----	1	. O-Ring	30	241271	1	. Spring
9	* -----	4	. O-Ring	32	233645	1	. Plug
10	234614	1	. Check Valve	33	236265	1	. Washer
11	234615	2	. Capscrew	34	234828	2	. Orifice
12	234616	2	. Spring Washer	35	234829	1	. Orifice
13	234617	16	. Capscrew	36	234830	1	. Orifice
14	234618	16	. Spring Washer	37	234831	1	. Orifice Plug
15	234619	1	. End Cover	38	234832	1	. Plug
16	234620	1	. End Cover	39	234833	1	. Counter Pressure Valve
17	234621	1	. Plate	40	234637	1	. Spring
18	234622	1	. Plate	41	234638	1	. Spring
19	597349	1	. Relief Valve				
20	233647	1	. Plug				
21	234624	2	. Shock & Suction Valve Assembly				
22	234625	1	. Stop				

\* Included in Service Kit 234639  
N.S.S. Not Sold Separately