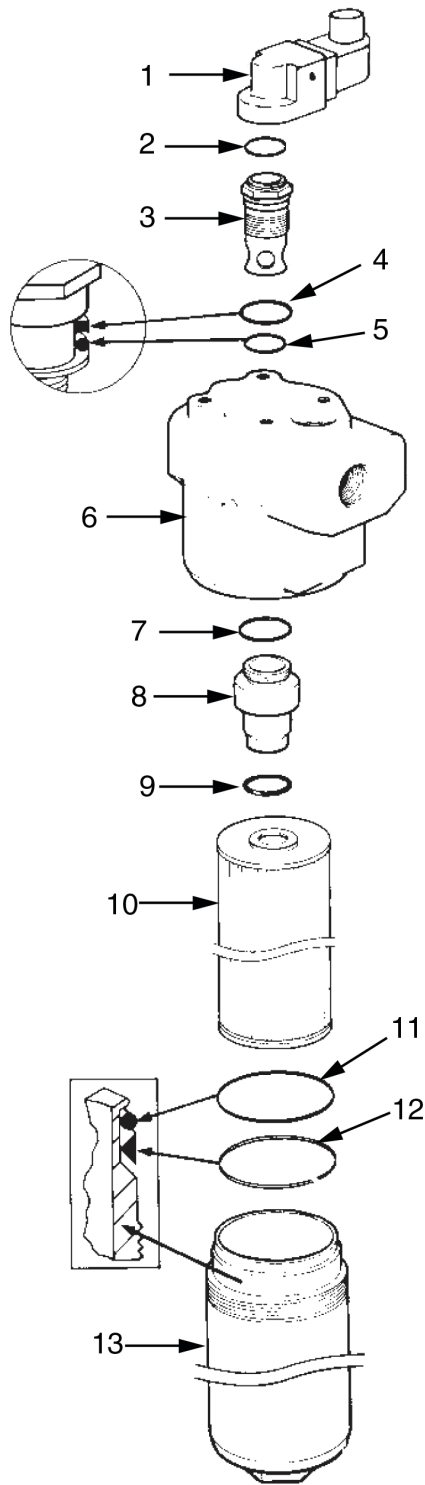


High Pressure Filter (40 GPM)



Item	Part No.	Qty	Description	Item	Part No.	Qty	Description
228200 High Pressure Filter (40 GPM)							
1	230531	1	. Electrical Actuator Assembly	9	*b NSS	1	. Seal
2	*a*b NSS	1	. Dust Seal	10	*b 228211	1	. Element, Filter; HP
3	230532	1	. Bypass Valve	11	*b NSS	1	. Seal
4	*a*b NSS	1	. Indicator Backup Ring	12	*b 228858	1	. Back-Up Ring
5	*a*b NSS	1	. Seal	13	249990	1	. Bowl
6	NSS	1	. Filter Head				
7	*b NSS	1	. Seal				
8	253582	1	. Adapter				

*a Included in Seal Kit 597842

*b Included in Filter Service Kit 570244