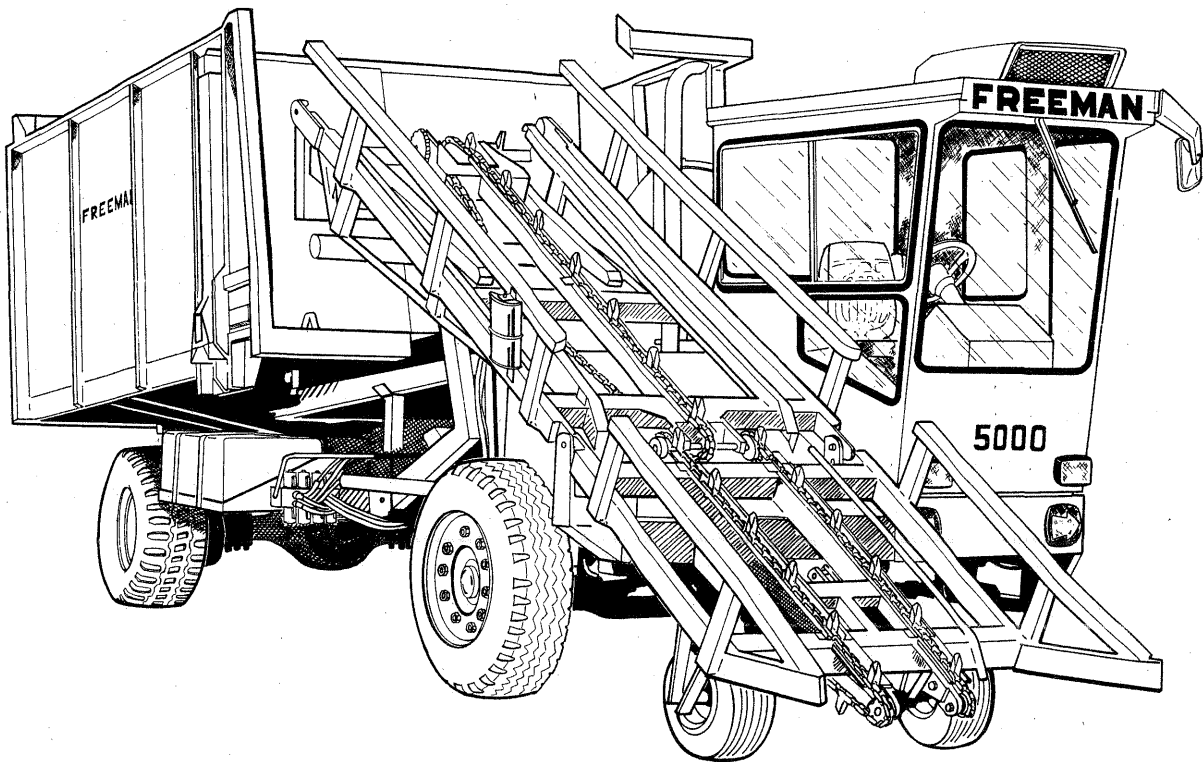


FREEMAN

MODEL 5000 ROADSIDER

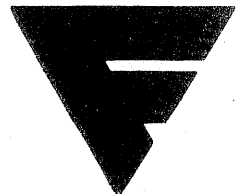


1990 PARTS LIST

manufactured and distributed by



J. A. FREEMAN & SON, INC.



PORTLAND, OREGON

P.B.0500090

CAUTION **PRECAUCION**

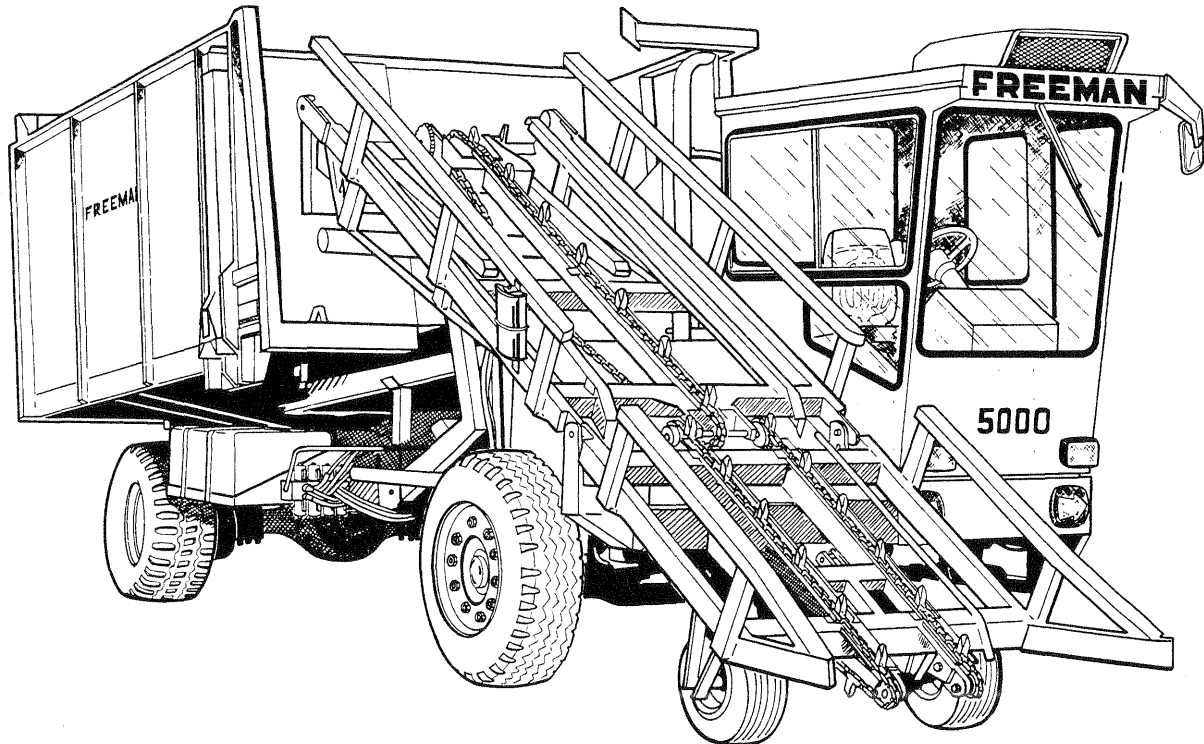
1. KEEP ALL SHIELDS IN PLACE.
2. STOP ENGINE OR MOTOR BEFORE LEAVING OPERATOR'S POSITION TO ADJUST, CLEAN, OR UNCLOG MACHINE, UNLESS OTHERWISE SPECIFICALLY RECOMMENDED IN THE "OPERATOR'S MANUAL."
3. WAIT FOR ALL MOVEMENT TO STOP BEFORE SERVICING MACHINE.
4. KEEP HANDS, FEET AND CLOTHING AWAY FROM POWER DRIVEN PARTS.
5. KEEP OFF EQUIPMENT UNLESS SEAT OR PLATFORM FOR OPERATION AND OBSERVATION IS PROVIDED.
6. KEEP ALL OTHERS OFF.
7. USE APPROPRIATE SIGNS OR WARNING LIGHTS WHEN OPERATING ON HIGHWAYS.
8. MAKE CERTAIN EVERYONE IS CLEAR OF MACHINE BEFORE STARTING ENGINE, MOTOR OR OPERATION.

-
1. MANTENER TODOS LOS PROTECTORES EN SU LUGAR.
 2. APAGAR LA MÁQUINA O EL MOTOR ANTES DE DEJAR LA POSICIÓN DEL OPERADOR PARA AJUSTAR, LUBRICAR, LIMPIAR O DESTAPAR LA MÁQUINA, A NO SER QUE SE RECOMIENDE ESPICÍFICAMENTE EN EL "MANUAL DEL OPERADOR."
 3. ESPERAR QUE NO HAYA MOVIMIENTO ANTES DE DAR SERVICIO A LA MÁQUINA.
 4. MANTENER LAS MANOS, LOS PIES Y LA ROPA LEJOS DE LAS PARTES QUE SE MUEVAN CON MOTOR.
 5. MANTENERSE LEJOS DEL EQUIPO A NO SER QUE HAYA SILLA O PLATAFORMA DE OPERACION Y OBSERVACIÓN.
 6. MANTENERSE LEJOS DE LOS DEMÁS.
 7. USAR LAS SEÑALES APROPIADAS O LAS LUCES DE AVISO AL MANEJAR EN LAS CARRETERAS.
 8. ASEGURARSE QUE NO HAY NADIE CERCA DE LA MÁQUINA ANTES DE ENCENDER EL MOTOR O ANTES DE OPERARLA.

PARTS LIST 889

for

MODEL 5000 ROADSIDER



POLICY

1. It is the policy of J.A. Freeman & Son, Inc. to constantly improve its products whenever it is practical to do so.
2. J.A. Freeman & Son, Inc. reserves the right to redesign or change its equipment or component parts thereof without incurring any obligation to install or furnish such changes on equipment previously delivered.
3. Unauthorized changes or additions to equipment manufactured by J.A. Freeman & Son, Inc. relieves the company of further responsibility for warranted operation and breakage replacement.

INSTRUCTIONS FOR ORDERING PARTS

1. Order by part number and description of part.
 - (a) Parts should NOT be ordered form illustration only.
 - (b) Parts should NOT be ordered from numbers on castings.
2. Order by Model 5000 Roadsider serial number and model.
3. Much delay and confusion can be avoided if parts numbers are arranged in sequence on all orders.
4. State how to ship: whether by truck, stage, parcel post, air parcel post, UPS, or air freight.
5. Claims for shortage or error in handling of an order for parts must be made upon receipt of goods.
6. Address all orders for parts as follows:

J.A. Freeman & Son, Inc.
Parts Department,
2034 N.W. 27th Avenue,
Portland, Oregon 97210

Place serial number of machine here for your convenience:

Model 5000 Roadsider Serial No. _____

Left and right of machine are understood to mean from a position facing in the direction of travel.

Permission must be secured before any parts are returned for credit. When parts are returned, the freight must be prepaid or arrangements made so that they can be brought in by our trucks.

"NOTE"

Parts are identified by reference numbers. See parts
list for correct part numbers. DO NOT USE
REFERENCE NUMBERS AS PART NUMBERS.

ALPHABETICAL INDEX

Air Cleaner And Exhaust	28
Air Conditioner And Pump	50
Bale Tilt Arm	6
Batteries	54
Bed Frame	8
Brake Pedal Lever Assembly	44
Brake Tubes	43
Cab Assembly	52
Cab Heater	50
Cab Linings	53
Control Levers	10
Control Panels	47
Cowlings	18
Dash Assembly	45
Decals	76
Differential, Breakdown	40
Drive Line Assembly	29
Elevator Assembly	4
Engine, Left Side	22
Engine, Right Side	24
Fender	18
Filter, Hydraulic And Transmission	20
Front Axle And Springs	32
Front Axle, Breakdown	34
Hand Brake	44
Harness Locations	60
Hydraulic Cylinders Plumbing	16
Hydraulic Cylinders Bale Tilt, Breakdown	69
Hydraulic Cylinders Bed Tilt, Breakdown	72
Hydraulic Cylinders Load Push Off, Breakdown	71
Hydraulic Cylinders Pick Up, Breakdown	68
Hydraulic Cylinders Push Back, Breakdown	70
Hydraulic Cylinders Roller Rack, Breakdown	74
Hydraulic Cylinders Side Pusher, Breakdown	73
Junction Block Mount	56
Lights And Turn Signals	54
Main Frame Assembly	6
Main Hydraulic System	12
Master Brake Cylinder, Breakdown	67
Operator's Panel, Breakdown	58
Pedestal Assembly	45
Pickup Assembly	2
Pickup Lift Hydraulics	10
Push Back Assembly	6
Push Off Feet	6
Radiator And Screens	19
Rear Axle And Springs	36
Rear Brakes	38
Relay Panel	56
Roller Rack	8
Seat	48
Side Pusher	8
Steering Assembly	30
Steering Column	45
System Select Hydraulics	10
Tanks, Hydraulic And Fuel	6
Throttle Linkage	27
Transmission Assembly	26
Transmission Shift Lever	47
Vacuum Booster	42
Vacuum Pump	42
Vacuum Tank	42
Valve - Control, Double Spool, Breakdown	62
Valve - Control, Single Spool, Breakdown	63
Valves - Counter Balance, Breakdown	65
Valve - Push Off and Bed Tilt	14
Valves - Relief, Breakdown	64
Valve - Roller Rack Release	64
Valves - Selector, Breakdown	61
Valves - Stack, Breakdown	66

NOTES:

PART NUMBER INDEX

PART	PAGES	PART	PAGES	PART	PAGES
01-419	12	19-402	34	BRK1779156	34
01-506	12,16,64	19-403	34	BRK2747114	34
01-514	12,30,64	19-404	34	BRK3219392	34
01-516	14,62	20-109	22	BRK3222108	34
01-602	16	20-112	4,6,22	BRK6415111	38
01-720	12,16,30,42	20-128	28	BRK6422725	38
01-738	10	20-132	28	BRK6769837	26
01-807	6	ACLO004030	28	BRK6769838	26
03-130	42	ACLO004076	28	BRK6769839	26
03-132	24	ACLO004906	42	BRK6802337	38
03-142	66	ACLO016330	28	BRK6802338	38
03-156	54	ACLO100004	28	BRK6809374	38
03-159	46	ACLO181045	28	BRK6811007	38
03-161	60	ACL4901011	28	BRK6837519	38
03-162	60	ACL4901019	28	BRK6837520	38
03-181	58	ACL4901135	28	BRK6837521	38
03-182	56	ACNO060001	50	BRK6847121	38
03-186	47,56	ACNO529945	50	BRK6847122	38
03-188	58	ACNO587030	50	BRK6866515	38
03-189	58	ACNO587040	50	BRK6891900	38
03-190	58	ACT0017935	6	BRK6891901	38
03-192	58	ACT0020487	6	BRK6891914	38
03-193	46,58	ALA0004099	46	BRK6891915	38
03-195	46	ALA0005057	60	BSH0009502	22
03-201	26,54	ALTO011610	24	BSH0020801	8
03-202	54	ARMO005001	4,6,8,60	BSH0021154	26
03-203	54	ARMO005084	8,60	BSH5154701	58
03-204	54	ARMO015294	6	CAB0005001	52
03-209	46	ARMO022320	8	CAB0006273	52
05-216	42	ARM1456101	52	CAB0017719	52
06-106	10,12,16	ARMS133998	34	CAM0018103	6
06-113	8	ARMS421002	30	CAM0020391	6
06-125	10	AXLO021164	32,34	CAM0020469	8
06-131	43	AXLO021958	36	CAM0020478	6
06-147	30,34	B 0091924	26	CAP6705005	63
07-114	6,44	BAB0014140	56	CAP6780008	63
07-120	10	BAR0017965	10,52	CBK0005540	46
11-262	12,56	BAR0020178	6	CBLO000111	27,46
16-138	66	BAR0020406	6	CBL1842112	27
17-134	6	BED0020157	8	CBL1843120	26,47
17-141	6	BKTO015711	20	CBL5102167	26,44
17-142	6	BKTO016388	50	CBT5058750	10
17-206	30	BKTO017929	20	CHLO018351	4
17-208	30	BKTO018027	8	CHLO020672	2
17-213	30	BKTO018176	28	CHNO017822	4
17-214	30	BKTO018589	8	CHNO020687	2
17-215	30	BKTO019037	22	CHNO020712	8
17-231	30	BKTO019452	22	CHNO060000	4
17-232	30	BKTO019490	22	CIDO808678	42
19-107	32	BKTO019618	22,27	CLP0000106	50
19-109	2,36	BKTO020397	6	CLP0000120	56
19-115	36	BKTO020467	4	CLP0000131	4
19-120	29	BKTO020515	26	CLP0000137	56
19-121	29	BKTO020556	26	CLP0005410	42
19-122	29	BKTO020599	19	CLP0005416	42
19-123	29	BKTO020708	4	CLP0005444	19
19-124	29	BKTO020711	4	CLP0035772	28
19-125	29,36	BKTO020913	26	CLP0035773	6
19-139	42	BKTO021412	50	CLP0035978	28
19-140	42	BKTO023363	50	CLP0100050	6
19-141	42	BKTO023364	50	CLP0100087	6
19-142	42	BKT2060100	19	CLP0100112	6
19-143	42	BKT2060101	19	CLP7051147	28
19-151	44	BLK0004652	46	CLP7051181	22,50
19-159	36,43	BLTO000044	42	CLRO002094	19
19-164	42	BLT2515505	50	CLRO002353	19
19-168	26,44	BMPO004243	18,44	CLRO029711	19,20
19-169	26,44	BRC0019529	22	CLV0007722	27
19-191	43	BRC0019530	42	CLV0018910	26,27
19-195	32	BRC0019532	19	CLV0027083	26
19-209	29	BRG0000006	27	CLV0681664	26
19-211	36	BRG0000182	34	CNK0002080	2,4
19-310	26,36	BRG0000204	2	CNRO000193	60
19-316	42	BRG0000493	36	CNRO000195	60
19-339	34	BRG0002112	8	CNRO113753	36
19-341	34	BRG000CF2S	6	COI3961003	64
19-343	34	BRG0044643	2	COL6714001	63
19-346	34	BRGOCYR25S	8	COL6714011	63
19-367	34	BRG3286348	34	COV0009843	18
19-368	34	BRGRCJC138	4	COV0020308	12
19-372	34	BRK0021149	26	CUM3008400	22
19-378	34	BRK0104714	36	CUM3901448	24
19-392	34	BRK0119958	36	CUM3901455	24
19-393	34	BRK0119959	36	CUM3902460	22
19-397	34	BRK0179882	26	CUM3903086	24
19-400	34	BRK1540213	34	CUM3903333	24
19-401	34	BRK1540214	34	CUM3903817	22

PART NUMBER INDEX

PART	PAGES	PART	PAGES	PART	PAGES
CUM3903820	22	ETN0076930	40	FD 0000041	53,76
CUM3903922	24	ETN0090533	40	FD 0000045	6,76
CUM3904222	24	ETN0090536	40	FD 0005000	52,76
CUM3906810	26	ETN0090873	40	FD 0005001	76
CUM3908560	24	ETN0091500	40	FD 0007111	8,18,76
CUM3911588	22,24	ETN0091523	40	FD 0007112	2,76
CVRO020344	18	ETN0095204	40	FD 0007113	8,76
CVRO020426	54	ETN0095357	36	FD 0007114	52,76
CVRO022086	8	ETN0099349	36	FD 0009584	46,76
CWLO020249	18	ETN0103189	36	FD 0020210	53,76
CWLO020250	18	ETN0105923	36	FD 0023473	56,76
CWLO020284	18	ETN0105924	36	FD 0023574	8,76
CWLO020314	18	ETN0107567	40	FD 0023577	6,8,76
CWLO020315	18	ETN0107568	40	FD 0023578	10,52,76
CWLO020316	18	ETN0107569	40	FD 1845101	53,76
CWLO020317	18	ETN0109235	40	FD 1845201	46,76
CWLO020334	18	ETN0109236	40	FD 1845202	46,76
CWLO020335	18	ETN0109238	40	FD 1845203	46,76
CWLO020338	18	ETN0109250	40	FD 1845204	46,76
CWLO020348	18	ETN0110243	40	FEN0020380	18
CWLO020349	18	ETN0110524	40	FEN0020381	18
CYLO009118	2,6,10,16,68	ETN0111395	40	FEN0020439	18
CYLO009320	6,12,16,70	ETN0113325	40	FIL0001316	20,24
CYLO021196	8,16,74	ETN0113629	40	FIL0005924	20
CYLO027305	42,44,67	ETN0113645	36	FIL0010008	6
CYLOOTC260	6,16,71	ETN0113800	40	FIL0059240	20
CYLOOTC432	6,16,72	ETN0114242	40	FIL00PF897	20
CYL1000018	68,70	ETN0119427	40	FIL3903202	22
CYL1413001	68	ETN0119855	40	FIL3903264	22
CYL2119601	74	ETN0119857	40	FLG00024SF	20,22
CYLTC17552	8,16,73	ETN0119863	40	FRM0018815	6
CYLTC2530J	6,16,69	EXH0041003	28	FRM0021173	6
DOR0017756	52	EXH4008185	28	FST0009914	46
DPT0018134	48	EXH4901050	28	FST0010401	18,19
DPT5130775	26	EKT0020341	14	FT 0000141	8,26
DRVO020424	29	F 0000073	4	FT 0000193	22,42
DRVO204240	26,29	F 0000247	8	FT 0000209	10
DSH0017685	46	F 0000249	6,8	FT 0000546	42
ELB0904030	28	F 0000440	8,12	FUS0000019	46
ELC0000003	4,8,60	F 0000747	8,26	GAG0082112	46
ELC0000536	46	F 0000759	4	GAG0082115	46
ELC0018135	56	F 0000760	4	GAG0082305	46
ELC0150005	46	F 0000883	4	GAG0082306	46
ELC1171113	56	F 0000946	44	GER0022108	30
ELV0001406	4	F 0001002	46	GLS0006954	52
ELV0018269	4	F 0001003	46	GLS0006982	52
ELV0018762	6	F 0001193	50	GRL0020604	19
ENG0000659	22,24	F 0001505	52	GRL0020605	19
ETN0009797	40	F 0001517	6,44	GRL0020613	19
ETN0009803	40	F 0001689	6	GRL2060300	19
ETN0009820	40	F 0001720	36	GRL2060301	19
ETN0012495	40	F 0004530	36	GRM0000014	54
ETN0013377	40	F 0005080	46	GRM0000382	46
ETN0014354	40	F 0005207	27	GRM0002856	18
ETN0014569	36	F 0005237	58	GRM0002870	47
ETN0014935	40	F 0005554	46	GRS0000510	62
ETN0014949	40	F 0005861	27	GRS0000602	61
ETN0014970	40	F 0005948	6	GRS0000911	62
ETN0015092	40	F 0005949	6	GRS0000912	62
ETN0015094	40	F 0005950	6	GRS0000913	62
ETN0015828	40	F 0006108	18	GRS0000914	62
ETN0018346	40	F 0006328	54	GRS0000923	62
ETN0019186	36	F 0006424	46	GRS0000932	62
ETN0025971	40	F 0006431	22	GRS0000967	62
ETN0027859	40	F 0006498	2	GRS0000983	62
ETN0027860	40	F 0006511	2	GRS0001127	61
ETN0027875	40	F 0006551	54	GRS0001129	61
ETN0027876	40	F 0006627	54	GRS0001136	61
ETN0030689	36	F 0006638	12	GRS0001141	62
ETN0031725	36	F 0006639	54	GRS0001202	62
ETN0032424	40	F 0006657	12	GRS0001478	61
ETN0033699	40	F 0006684	4	GRS0002028	62
ETN0035278	36	F 0006719	12	GRS0002529	62
ETN0037888	36	F 0006782	10	GRS0002706	62
ETN0037889	36	F 0006793	28	GRS0002781	62
ETN0042055	40	F 0006795	28	GRS0002787	62
ETN0043269	40	F 0006804	6,8	GSK0196210	22
ETN0044356	40	F 0006821	19	HAN0002399	52
ETN0060598	40	F 0006830	19	HAN000BTH3	10,14
ETN0063028	40	F 0007541	12	HAN0017799	10
ETN0064467	40	F 0007904	4	HAN0020072	52
ETN0067814	40	F 0008243	6	HNG0020642	18
ETN0067815	40	F 0008264	52	HNG0020643	18
ETN0071806	40	F 0008315	10	HNG0020644	18
ETN0074022	40	FAN0003101	24	HNG0020645	18
ETN0074023	40	FAN3908079	22	HOK0002126	19
ETN0075110	40	FD 0000035	6,76	HOS0009779	6,20

PART NUMBER INDEX

PART	PAGES	PART	PAGES	PART	PAGES
HOS0018386	10, 22	HUB0034822	2	KIT0000304	26
HOS0018389	20, 26	HUB0105042	36	KIT0007863	38
HOS0020312	20, 22	HYD0000120	19	KIT0007865	38
HOS0020522	10, 14	HYD0004854	22	KIT0020326	53
HOS0020523	10	HYD0006855	6	KIT8921987	26
HOS0020524	10, 14	HYD0007708	42, 43	LEV0017800	10
HOS0020525	14, 16	HYD0007734	43	LEV0017968	10
HOS0020526	16	HYD0007811	42	LEV0020340	14
HOS0020527	14, 16	HYD0008028	50	LEV0020455	27
HOS0020528	12, 14	HYD0020707	20, 26	LEV0020998	44
HOS0020529	12, 14	HYD0048020	22, 42	LEV0021190	46
HOS0020530	10	HYD0048022	42	LEV0021444	10
HOS0020531	12	HYD0059888	19, 20	LEV0040023	44
HOS0020532	6, 22	HYD0211280	50	LIN0018193	53
HOS0020533	6, 22	HYD0300020	22	LIN0018194	53
HOS0020534	12	HYD0610606	10, 16	LIN0018195	53
HOS0020535	12	HYD1241200	42	LIN0018196	53
HOS0020536	12, 16	HYD1314025	42, 43	LIN0018197	53
HOS0020537	12, 16	HYD3069030	12, 16	LIN0018198	53
HOS0020538	10, 16	HYD3069040	12, 16	LIN0018199	53
HOS0020539	10, 16	HYD3069060	10	LIN0018200	53
HOS0020540	4, 12	HYD3109032	12	LIN0018203	53
HOS0020541	12, 16	HYD3109042	10, 30	LIN0018204	53
HOS0020542	12, 16	HYD3109043	10, 12, 16, 42	LIN0018205	53
HOS0020543	12	HYD3109064	10, 12, 19, 20, 22, 24	LIN0018206	53
HOS0020544	12	HYD3109097	6, 12	LIN0018208	53
HOS0020545	4, 12	HYD3159020	10, 12, 30, 42	LIN0018217	53
HOS0020546	4, 12	HYD3159040	6	LIT0000020	46
HOS0020547	16	HYD3169010	42	LIT0000021	46
HOS0020548	12	HYD3169040	10	LIT0000161	46
HOS0020550	12, 16	HYD3169060	63	LIT0000650	54
HOS0020551	10, 12	HYD3269044	12, 16, 30	LIT0000651	54
HOS0020552	10	HYD3309060	42	LIT0001816	46
HOS0020553	22, 30	HYD3350010	22, 42	LIT0001893	47
HOS0020554	10, 30	HYD3409030	12, 16, 22, 42	LIT7189802	52, 54
HOS0020555	12	HYD3409040	42	LNK0000523	8
HOS0020571	10	HYD3409060	10	LNK0018021	2
HOS0020626	12, 16	HYD3459040	20	LNK0021200	30
HOS0020628	26	HYD3459044	26	LOK0000055	52
HOS0020629	12, 16	HYD3459060	12	MAT0018201	53
HOS0022233	22, 42	HYD3509060	42	MAT0018202	53
HOS0022234	19, 20	HYD3709040	12, 16, 30	MIR3633309	4
HOS0022235	19, 20	HYD3709060	10, 12	MIR6695001	52
HOS0500026	22, 42	HYD3959040	12	MLD7500331	56
HOS0500048	42	HYD3959060	10, 12	MNT0006683	52
HOS0500086	42	HYD5205034	12, 16	MNT0015099	4
HOS0750034	42	HYD5205040	16	MNT0015112	2
HRN0018326	60	HYD5205044	12, 16	MNT0016766	19
HRN0018327	60	HYD5205046	12	MNT0016907	58
HRN0018328	60	HYD5205056	20, 24	MNT0017384	46
HRN0018330	60	HYD5205060	10, 12	MNT0017524	44
HRN0020464	60	HYD5205064	10	MNT0017693	6
HRN0020704	60	HYD5205086	12	MNT0018813	46
HRN0020768	60	HYD5205090	6, 20	MNT0018888	8
HRN0020769	60	HYD5275040	12	MNT0018936	8
HRN0020770	60	HYD5315040	12	MNT0019342	22, 42
HRN0020771	60	HYD5315045	4	MNT0019527	22, 42
HRN0020772	60	HYD5315054	22	MNT0019533	46
HRN0020773	60	HYD5315060	12, 22	MNT0019619	22, 27
HRN0020774	60	HYD5325020	6	MNT0020300	56
HRN0020775	60	HYD5325040	12	MNT0020310	10
HRN0020776	60	HYD5325500	6	MNT0020323	22
HRN0020777	60	HYD5355044	14	MNT0020468	8
HRN0020778	60	HYD5355050	30	MNT0020663	42
HRN0020779	60	HYD5355060	10, 12	MNT0020713	2
HRN0020780	60	HYD5355121	20	MNT0020714	2
HRN0020781	60	HYD5405040	10, 12, 16	MNT0022068	10, 63
HRN0020782	60	HYD5405044	10, 12, 16, 30	MNT0022218	47
HRN0020783	60	HYD5405046	10, 12	MNT0023516	42
HRN0022821	60	HYD5405060	10, 14	MNT0304001	6, 52
HRN0022822	60	HYD5405064	10	MNT1510300	4
HRN0022823	60	HYD5405070	6, 12	MNT1510301	4
HRN0022825	60	HYD5425050	20, 26	MNT1807200	19
HRN0022826	48	HYD5425060	10	MNT1807201	19
HRN0023267	54, 60	HYD5515040	12, 30	MNT1944900	22
HRN0023486	50	HYD5515060	12	MNT1944901	22
HRN0023487	50	HYD5525060	10	MSR0014140	58
HRN0023515	60	HYD5605044	12	MTR1041027	4
HSE0000086	19	HYD5725020	43	NCG0002500	27
HSE0007329	19	HYD5755040	16	NCG0003750	52
HSE0028074	42	HYD5755444	12, 16	NCX0080625	34
HSE1530096	50	HYD5924020	6	NEJ0008750	6
HSE1530114	50	HYD5924040	12	NFC0005000	42
HSE6048514	19	HYD5924060	10	NFC0007500	34
HSE6048542	19	HYD5924500	6	NFE0000563	22
HTR0356120	50	HYD7237060	12	NFE0000875	32, 36
HUB0000348	2	INS5260011	58		

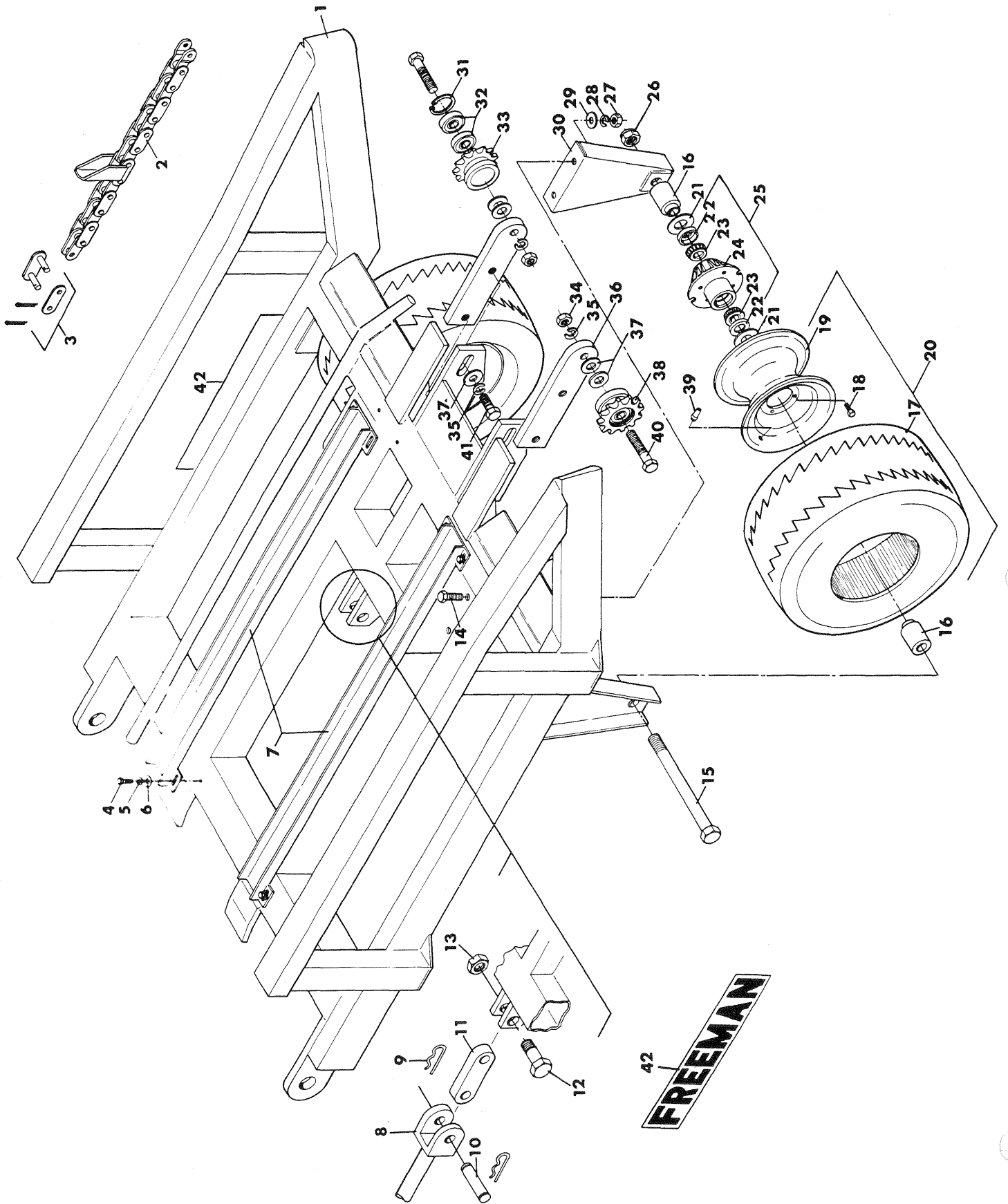
PART NUMBER INDEX

PART	PAGES	PART	PAGES	PART	PAGES
NFE0001032	46	RAD0022613	19	SEL1205142	34
NFJ0006250	43	RAK0018923	8	SEL1205143	34
NFJ0007500	36	RDB00003125	66	SEL1600719	26, 27
NFL0003750	10	REC0005874	58	SEL6008840	66
OFLO002080	4	RNG0002010	22	SELTC17552	73
PAD0018931	8	RNG2400015	63	SHD0020301	56
PAD0018932	8	RNG2400116	63	SHD0020374	18
PAD0020461	8	RNG2400213	63	SHF0015290	4
PAD0948758	44	RNG2400908	63	SHF0015291	4
PED0013433	44	RNG2401915	63	SHF0017396	44
PED0017399	46	RNG5000175	2	SHF0017969	10
PED0022858	27	RNG6705010	63	SHF0020457	27
PIN0015216	32, 36	ROC0000255	34	SHF0022103	30
PIN0018172	4	ROC0000256	34	SHF0221030	30
PIN0018736	36	ROC0001121	34	SHK0018735	36
PIN0018738	36	ROC0002581	34	SHK0020731	32
PIN0018796	6	ROC0002616	34	SHK0020732	32
PIN0019937	2	ROC0007111	34	SHM0020499	8
PIN0020086	8	ROC0007112	34	SHM4023150	66
PIN0020393	6	ROC0016202	34	SHR0020258	19
PIN3101179	34	ROC0027082	34	SHT3004426	26, 27
PLT0006684	52	ROC0133323	34	SHT7312748	47
PLT0018295	36	ROC0201477	34	SHV0018892	8
PLT0018525	6	ROC0201478	34	SLV6603124	63
PLT0018759	47	ROC0233323	34	SPC0007333	32
PLT0019528	24, 50	ROC1225985	34	SPC0011478	56
PLT0019621	22	ROC1227133	34	SPC0017927	2
PLT0019878	32	ROC1227780	34	SPC0017934	6
PLT0020146	8	ROC1229116	34	SPC0018115	36
PLT0020390	8	ROC1229155	34	SPC0018726	6
PLT0020463	53	ROC1229166	34	SPC0018937	8
PLT0020709	58	ROC1259262	34	SPC0019744	22
PLT2072900	32	ROC1733323	34	SPC0020145	8
PLT2072901	32	ROC1779147	34	SPC0020342	14
PLT6705003	63	ROC1779155	34	SPC0020389	8
PLU0051056	46	ROC1833323	34	SPC0020650	47
PLU6716001	63	ROC2203301	34	SPC0020719	52
PMC1060009	68	ROC2208819	34	SPC0020818	56
PMC1070017	70	ROC2258579	34	SPG0000663	22, 27
PMC1417023	70	ROC2297286	34	SPG0005697	52
PMC1721221	68	ROC2297287	34	SPG0020383	32
PMC1721241	70	ROC2297288	34	SPG2038301	32
PMC1904001	68, 70	ROC2297475	34	SPG2038302	32
PMC1904002	68, 70	ROC2297567	34	SPG2038303	32
PMC2200208	68	ROC2610003	34	SPG2038304	32
PMC2400018	68, 70	ROC2858T46	34	SPG2038305	32
PMC2400218	68	ROC3112864	34	SPG2038306	32
PMC2400220	70	ROC3112968	34	SPG2038307	32
PMC2400330	68	ROC3133569	34	SPG2038308	32
PMC2400338	70	ROC3133999	34	SPG2038309	32
PMC2401330	68	ROC3208127	34	SPG6703001	63
PMC2401338	70	ROC3236193	34	SPG6703007	63
PMC2405218	68	ROC3236196	34	SPK0006012	4
PMC2405220	70	ROC3299454	34	SPK0006030	4
PMC2405330	68	ROC3761357	34	SPK0015302	2
PMC2405338	70	ROD0000006	10	SPK0208012	2
PMC2501218	68	ROD0000060	10	SPK128012S	4
PMC2501220	70	ROD0013856	36	SPK2080151	4
PMC5130019	68	ROD0017394	44	SPR0414501	26
PMC5170015	70	ROD0017970	10	SRP0016794	8
PMC7130004	68	ROD0018088	27	STE0017630	46
PMC7170005	70	ROD0018164	10	STE0351351	46
PMC8130005	68	ROD0018257	4	STP0002000	27
PMC8170178	70	ROD0020071	8	STS2200709	63
PMP2010130	22	ROD0020496	10	SUP0017754	53
PNL0017836	46	ROD0022074	10	SUP0017755	53
PNL0021790	58	RSF0007311	32	SUP0018024	6
PNL2070900	47, 58	RSF0007312	32	SUP0018025	6
PNL2179000	47, 58	RSF0007313	32	SUP0019525	24, 26
PPE0000750	12, 42	SC00000201	8	SUP0020214	18
PPE0002000	6, 20	SC00000202	8	SUP0020243	18
PPE0030500	50	SC00000303	6, 8, 18	SUP0020248	18
PPE0100903	50	SC00000502	10	SUP0020600	19
PPE0200900	6, 20	SC00000503	4, 6	SUP0020602	19
PPE2001500	6, 20	SC00170301	63	SUP2037500	18
PPE5000150	19, 20	SEA0009590	48	SUP2037501	18
PPE5000200	50	SELO0000T2	65	SWI0005071	58
PPE5000400	19, 20	SELO000102	18	SWI0005079	4, 6, 8, 60
PPE5003001	30	SELO0000KT2	71, 74	SWI0005081	8, 60
PPE7504500	12	SELO0000KT4	72	SWI0356120	46
PSH0018770	6	SELO002530	69	SWI0693772	26
PSH0018876	8	SELO009100	68	SWI2301922	26
PSH0018877	8	SELO009300	70	TBE0020557	10
PSH0020175	6	SELO016071	27	TBE0020558	10
PUP0001175	2	SELO034823	2	TBE0020559	30
PUP0020666	2	SELO101008	66	TBE0020560	30
RAD0002004	19	SELO102916	66	TBE0020561	10, 12
		SEL1205133	34	TBE0020562	16

PART NUMBER INDEX

PART	PAGES	PART	PAGES	PART	PAGES
TBEO020563	12	TNK0020181	19	ZZ 0000708	22, 27
TBEO020564	12	TRK0018887	8	ZZ 0000710	27
TBEO020565	12	TRMO022723	46	ZZ 0000726	10
TBEO020566	12	TRNO000545	26	ZZ 0002016	8, 26, 27
TBEO020567	12	TRPO017918	6		
TBEO020568	12	TRW4037951	30		
TBEO020569	6, 12	TRW4037991	30		
TBEO020570	12	TUB0025095	27		
TBEO020590	6	TUB1752500	6		
TBEO020591	6	VBPO374750	42		
TBEO020615	42	VLV0000006	12, 65		
TBEO020616	42, 43	VLV0000016	64		
TBEO020617	43	VLV0000017	64		
TBEO020618	43	VLV0000022	12, 65		
TBEO020619	43	VLV0000074	10, 61		
TBEO020620	43	VLV0000076	12, 61		
TBEO020621	43	VLV0000500	10, 61		
TBEO020622	43	VLV0001175	10, 64		
TBEO020623	43	VLV0001R23	64		
TBEO020624	43	VLV0001R24	64		
TBEO020625	43	VLV0004813	66		
TC 0000020	71	VLV0512143	10, 63		
TC 000002N	71	VLV1004005	66		
TC 0000020	74	VLV1006024	66		
TC 000002P	71, 74	VLV2200LAN	65		
TC 000002V	71	VLV2200YAK	65		
TC 0000040	72	VLV3010206	64		
TC 000004N	72	VLV4014130	66		
TC 000004P	72	VLV4014370	66		
TC 000004V	72	VLV4014550	66		
TC 0000170	73	VLV4015410	66		
TC 000017N	73	VLV4019950	66		
TC 000017P	73	VLV4019960	66		
TC 000017V	73	VLV4020051	66		
TC 000025N	69	VLV4022030	66		
TC 0000250	69	VLV481313S	12		
TC 000025P	69	VLV6000BBC	65		
TC 000025V	69	VLV6002880	66		
TC 00002EC	71, 74	VLV6006090	66		
TC 00002SC	71, 74	VLV6013080	66		
TC 00002UP	71, 74	VLV6602502	63		
TC 00004EC	72	VLV6701001	63		
TC 00004SC	72	VLV8500509	12, 64		
TC 00004UP	72	VLV8502355	64		
TC 0000C2N	74	W VE2407	46		
TC 0000C2V	74	WAG0006019	67		
TC 00017EC	73	WAG0023089	10		
TC 00017SC	73	WAGOF16500	67		
TC 00017UP	73	WAGOF26110	67		
TC 00025EC	69	WAS0000105	34		
TC 00025SC	69	WAS0018220	6, 52		
TC 00025UP	69	WEA1179092	52		
TC 000260C	71	WEA1179093	52		
TC 000432C	72	WEA1179105	52		
TC 001752C	73	WEA1179122	52		
TC 002530J	69	WEA1179154	52		
TC 00C258C	74	WEA1179174	52		
TC 17E0125	73	WEA4675174	52, 53		
TC 17RW125	73	WEA9370092	52		
TC 17S0125	73	WEA9370093	52		
TC 17SO125	73	WEA9370105	52		
TC 17US125	73	WEA9370122	52		
TC 25E0175	69	WEA9370154	52		
TC 25RW175	69	WEA9370174	52		
TC 25SO175	69	WES0003750	61		
TC 25SO175	69	WES0005000	6		
TC 25US175	69	WES0011250	10		
TC 2E00125	71, 74	WHLO021158	32		
TC 2RW0125	71, 74	WHLO030872	36		
TC 2S00125	71	WHLO040195	36		
TC 2S00125	71, 74	WHLO185858	2		
TC 2US0125	71, 74	WHLO185859	2		
TC 4E01625	72	WNDO017763	52		
TC 4RW1625	72	WNDO017764	52		
TC 4S01625	72	WNDO017765	52		
TC 4S01625	72	WNDO017766	52		
TC 4US1625	72	WNW10210	52		
TEB0472108	12, 56, 60	WNW18795	52		
TEB0472110	56, 60	WNW19710	52		
TER0000101	58	ZZ 0000100	6		
THM0008959	26	ZZ 0000101	34		
THM00280EE	20	ZZ 0000103	6, 36		
TIR0185858	2	ZZ 0000104	32		
TIR1519512	32	ZZ 0000220	4		
TIR4019195	36	ZZ 0000225	6		
TNK0007422	6	ZZ 0000401	4		
TNK0015296	6	ZZ 0000439	42		
		ZZ 0000501	46		

Pickup Assembly

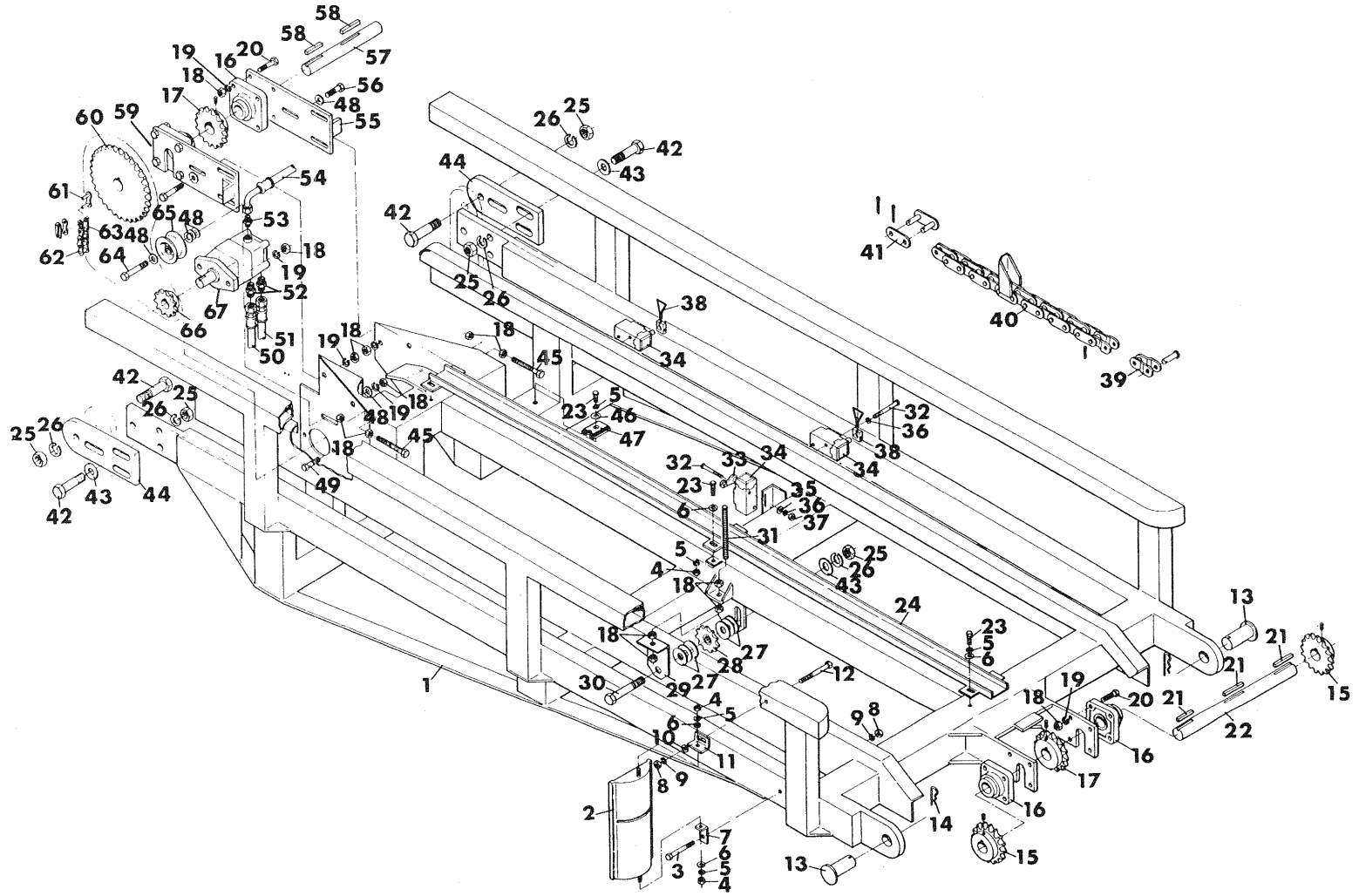


FREEMAN

Pickup Assembly

REF NO.	PART NO.	DESCRIPTION	QTY. USED
1	PU0001175	PICKUP COMPLETE	1
1	PU0020666	PICKUP ASSEMBLY	1
2	CHN0020687	BBRS P/U CHAIN ASSY	2
3	CNK0002080	CONNECTING LINK - C2080H	2
4	SCC0020002	5/16 X 1 NC HT CS - PLATED	8
5	WLK0000313	5/16" LOCKWASHER - PLATED	8
6	WCT0000313	5/16" FLATWASHER - PLATED	8
7	CHL0020672	CHAIN WEAR CHNL ASSY	2
8	CYLO009118	2.5 X 18 HYDRAULIC CYLINDER	1
9	F 0006511	HAIRPIN FOR CYLINDER PIN	2
10	F 0006498	CYLINDER PIVOT PIN	1
11	LNK0018021	HYD CYL LIFT LINK	1
12	PIN0019937	ELEVATOR PICKUP PIVOT PIN	1
13	NFX0001000	1" NF FLEX-LOCK JAM NUT	1
14	SCC0000504	1/2 X 1-1/2 NC HT CAP SCREW	4
15	SCCC010023	1" X 12 NC HT CS - PLATED	2
16	SPC0017927	WHEEL SPACER	4
17	TIRO185858	TIRE 18.5 X 8.5 X 8 PLY	2
18	SMS0005393	LUG BOLT	8
19	WHL0185858	WHEEL 18.5 X 8.5 X 8	2
20	WHL0185859	WHL&TIR ASB-18.5X8.5X8	2
21	WCT0100000	1" FLATWASHER	4
22	SEL0034823	SEAL F/HUB	4
23	BRG0044643	INNER/OUTER WHL BRG	4
24	HUB0034822	HUB W/CUPS FOR HUB 348	2
25	HUB0000348	HUB ASSEMBLY	2
26	NCE0001000	1" NC ESNA NUT	2
27	NCH0005000	1/2" NC HEX NUT	4
28	WLK0005000	1/2" LOCKWASHER	4
29	WCT0005000	1/2" FLATWASHER	4
30	MNT0020713	LH INNER WHL MNT ASSY	1
30	MNT0020714	RH INNER WHL MNT ASSY	1
31	RNG5000175	SNAP RING	4
32	BRG0000204	BEARING	4
33	SPKC208012	SPROCKET - 2080B12	2
34	NCH0007500	3/4" NC HEX NUT	2
35	WLK0007500	3/4" LOCKWASHER	6
36	MNT0015112	FRONT SPROCKET MOUNT	2
37	WCT0007500	3/4" FLATWASHER	8
38	SPK0015302	IDLER SPROCKET	2
39	19-109	VALVE STEM	2
40	SCC0000812	3/4 X 3-1/2 NC HT CAP SCREW	2
41	SCC0000805	3/4 X 1-3/4 NC HT CAP SCREW	4
42	FD 0007112	FREEMAN DECAL, RED	2

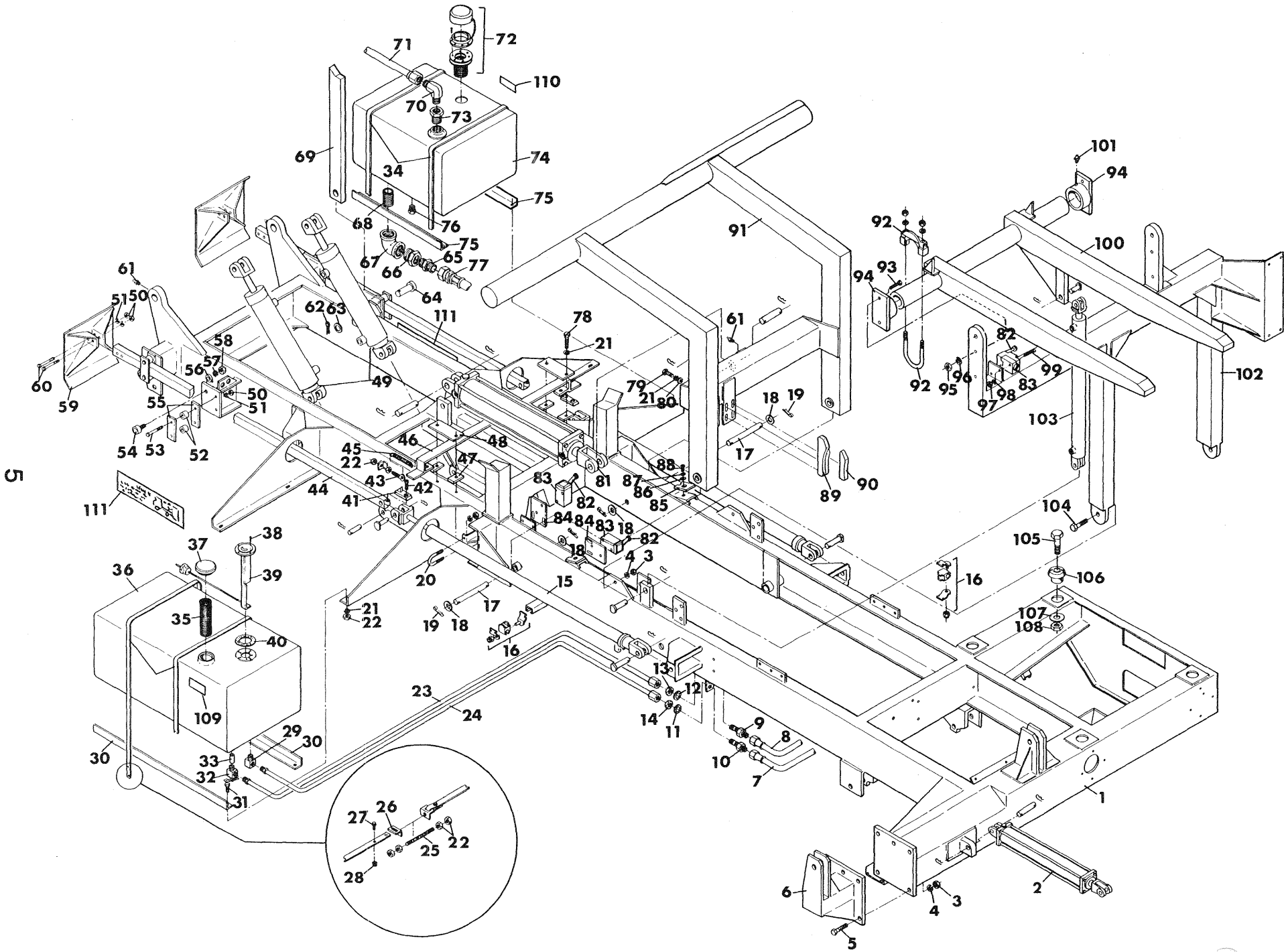
Elevator Assembly



Ω

Elevator Assembly

REF NO.	PART NO.	DESCRIPTION	QTY. USED
1	ELV001406	ELEVATOR ASSY COMPLETE	1
1	ELV0018269	ELEVATOR ASSEMBLY	1
2	MIR3633309	MIRROR-ROD MOUNT W/CONVEX SECT	1
3	SCC0030009	3/8 X 2-3/4 NC HT CS - PLATED	1
4	NCH0000313	5/16 NC HEX NUT - PLATED	6
5	WLK0000313	5/16" LOCKWASHER - PLATED	8
6	WCT0000313	5/16" FLATWASHER - PLATED	8
7	BKTL020711	LOWER ELEV MIRROR BRACKET	1
8	NCH0000375	3/8" NC HEX NUT - PLATED	2
9	WLK0003750	3/8" LOCKWASHER	2
10	WCT0003750	3/8" FLATWASHER	2
11	BKTO020708	UPPER ELEV MIRROR BRACKET	1
12	SCC0030015	3/8 X 4-1/2 NC HT CS - PLATED	1
13	PIN0018172	PICK-UP & ELEVATOR PIN	2
14	COTC000804	3/16 X 1-3/4 COTTER PIN	2
15	SPK2080151	ELEV SPROCKET, 1-3/8 BORE	4
16	BRGRCJC138	1-3/8 FLANGE BEARING	4
17	SPK2080151	ELEV SPROCKET, 1-3/8 BORE	3
18	NCH0005000	1/2" NC HEX NUT	33
19	WLK0005000	1/2" LOCKWASHER	25
20	SCC0000505	1/2 X 1-3/4 NC HT CAP SCREW	16
21	F 0007904	3/8 X 3/8 X 2 KEY	3
22	SHF0015291	IDLER SHAFT	1
23	SCC0000201	5/16 X 3/4 NC HT CAP SCREW	8
24	CHL0018351	CHAIN WEAR CHL ASSY	1
25	NCH0007500	3/4" NC HEX NUT	9
26	WLK0007500	3/4" LOCKWASHER	9
27	ZZ 0000220	3/4 X 10 GA MACHINE BUSHING	7
28	SPK128012S	IDLER SPOCKET - 012-8012S	1
29	BKTO020467	CHAIN TIGHTENER BKT	1
30	SCC0000812	3/4 X 3-1/2 NC HT CAP SCREW	1
31	RODO018257	CHAIN ADJUST ROD	1
32	SMR1032200	10-32X2 RH MACH SCREW	6
33	ARM0005001	1-1/2" LEVER ARM W/3/4" ROLLER	1
34	SWI0005079	LIMIT SWITCH-4 POST	3
35	WCT0000100	#10 FLATWASHER - PLATED	2
36	WLK0000100	#10 LOCKWASHER - PLATED	6
37	NFH0001032	10-32 NF HEX NUT - PLATED	2
38	ELCC000003	LIMIT SW LEVER ARM-SPRING TYPE	2
39	OFLO002080	OFFSET LINK C2080H	1
40	CHNO017822	CHAIN ASSEMBLY	1
41	CNK0002080	CONNECTING LINK - C2080H	1
42	SCC0000809	3/4 X 2-3/4 NC HT CAP SCREW	8
43	WCT0007500	3/4" FLATWASHER	9
44	MNT0015099	REAR MOUNT	2
45	F 0000073	1/2 X 4 SQUARE HEAD SET SCREW	2
46	WCT0000250	1/4" FLATWASHER - PLATED	2
47	20-112	MOTOR MOUNT	2
48	WCT0005000	1/2" FLATWASHER	11
49	SC00000503	1/2 X 1-1/4 NC FH SOCKET CS	2
50	HOS0020545	ELEV MOTOR REVERSE HOSE	1
51	HOS0020546	ELEV MOTOR FORWARD HOSE	1
52	HYD5315045	1/2JIC X 5/8 O-RNG ST THD CONN	2
53	F 0006684	1/4JIC X 1/4 O-RNG ST THD CONN	1
54	HOS0020540	ELEV MTR CASE DRAIN HOSE	1
55	MNT1510300	L.H DRIVE MOUNT ASSY-ELEV	1
56	SCC0000504	1/2 X 1-1/2 NC HT CAP SCREW	6
57	SHF0015290	ELEVATOR DRIVE SHAFT	1
58	ZZ 0000401	3/8 X 3/8 X 2-3/4 KEY	2
59	MNT1510301	R.H DRIVE MOUNT ASSY-ELEV	1
60	SPK0006030	SPROCKET: 1-3/8 BORE, 2-SS, 3/8KW	1
61	F C000760	V-60 CONNECTING LINK	1
62	CHNO060000	CHN ROLLER 48PITCH W/CON LNK	1
63	F C000759	OFFSET LINK	1
64	SCC0000511	1/2 X 3-1/4 NC HT CAP SCREW	1
65	F 0000883	IDLER PULLEY F/KNOT CHAIN DRIV	1
66	SPK0006012	SPROCKET: 1-1/4 BORE, 2SS, 5/16KW	1
67	MTR1041027	MOTOR - 104-1027	1



Main Frame Assembly

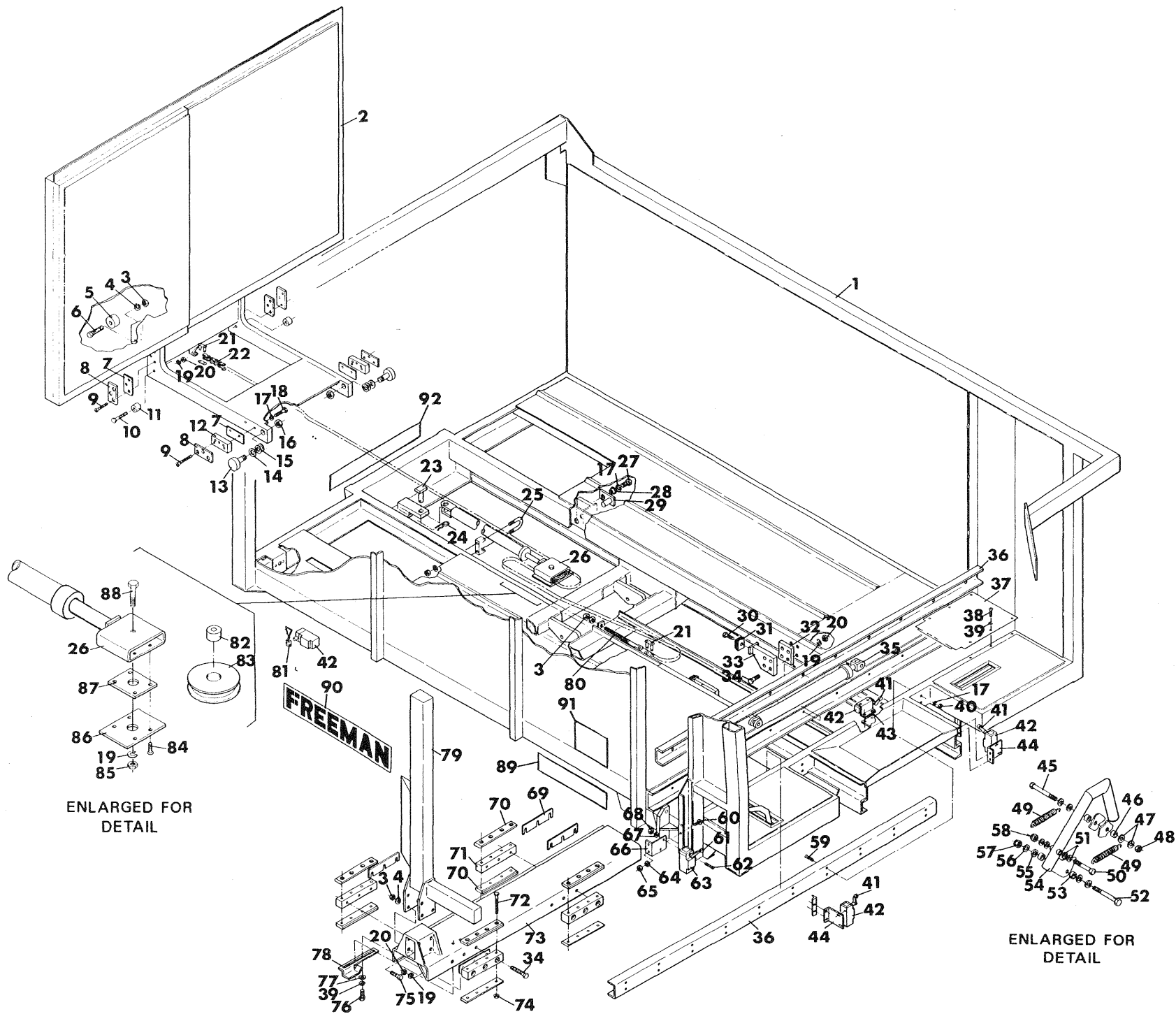
5

Main Frame Assembly

REF NO.	PART NO.	DESCRIPTION	QTY. USED	REF NO.	PART NO.	DESCRIPTION	QTY. USED
1	FRM0021173	MAIN FRAME ASSY	1	56	07-114	7/8" STEEL SET COLLAR	4
2	CYL0009118	2.5 X 18 HYDRAULIC CYLINDER	1	57	ZZ 0000225	7/8 X 10 GA MACHINE BUSHING	8
3	NCH0007500	3/4" NC HEX NUT	7	58	NEJ0008750	7/8" NF ESNA JAM NUT - PLTD	4
4	WLK0007500	3/4" LOCKWASHER	7	59	PSH0020175	FOOT ASSEMBLY	2
5	SCC0000809	3/4 X 2-3/4 NC HT CAP SCREW	5	60	SCC0050007	1/2 X 2-1/4 NC HT CS - PLATED	4
6	FRM0018815	ELEVATOR SUP HANGER ASSY	1	61	ZZ 0000100	1/4-28 STR 5/16 HEX ZERK	3
7	HOS0020533	CUMMINS FUEL RETURN HOSE	1	62	COT0000805	3/16 X 2 COTTER PIN	2
8	HOS0020532	CUMMINS FUEL PRESSURE HOS	1	63	F 0008243	1-1/2 X 1-3/4 X 16GA SPCR WASH	1
9	HYD5325500	5/16 JIC BULKHEAD UNION	1	64	PIN0020393	BED SAFETY LATCH PIN ASSY	1
10	HYD5325020	1/4 JIC BULKHEAD UNION	1	65	HYD5205090	1-1/2JIC X 1-1/2NPT MALE CONN	1
11	WIS0004375	7/16 INTERNAL STAR WASHER-PLT	1	66	PPE2001500	2 X1-1/2 STD BLK HEX BUSH	1
12	WES0005000	1/2" EXT. STAR WASHER-PLTD	1	67	PPE0200900	2 90* STD BLK PIPE ELBOW	1
13	HYD5924500	5/16" BULKHEAD NUT	1	68	PPE0002000	2 XCLO STD BLK PIPE NIPPLE	1
14	HYD5924020	1/4" BULKHEAD NUT	1	69	BAR0020406	BED SAFETY LATCH BAR	1
15	CYL00TC260	HYD CYL-TC2 X 60 X 1.25" ROD	2	70	HYD5405070	1" JIC X 1" NPT 90* MALE ELB	1
16	CLP0100050	1/2 HYDRA ZORB HOSE CLAMP	1	71	TBE0020569	MAIN SYSTEM RETURN TUBE	1
16	CLP0100087	7/8 HYDRA ZORB HOSE CLAMP	21	72	FIL0010008	FILTER-FLOW EZY - BREATHER	1
16	CLP0100112	1-1/8 HYDRA ZORB HOSE CLAMP	2	73	HYD3109097	1-1/2 X 1 STEEL PIPE BUSHING	1
17	PIN0018796	PIVOT PIN	2	74	TNK0007422	HYDRAULIC TANK	1
18	F 0000249	1-1/8 X 18 GA MACHINE BUSHING	8	75	SUP0018025	HYD TANK SUPPORT RAIL	2
19	COT0000804	3/16 X 1-3/4 COTTER PIN	4	76	HYD3159040	1/2 HEX HEAD STEEL PIPE PLUG	1
20	F 0006804	EXHAUST CLAMP - 2-1/4"STD DUTY	2	77	HOS0009779	1-1/2" X 39" HYD SUCTION HOSE	1
21	WLK0000375	3/8" LOCKWASHER - PLATED	16	78	SCC0030004	3/8 X 1-1/2 NC HT CS - PLATED	4
22	NCH0000375	3/8" NC HEX NUT - PLATED	12	79	SCC0030001	3/8 X 3/4 NC HT CS - PLATED	4
23	TBE0020590	5/16" FUEL RETURN LINE	1	80	WCT0000375	3/8" FLATWASHER - PLATED	4
24	TBE0020591	1/4" FUEL RETURN LINE	1	81	CYL00009320	3.5 X 20 HYDRAULIC CYLINDER	1
25	17-142	TANK STRAP ADJUSTING BOLT ASSY	4	82	ARM0005001	1-1/2" LEVER ARM W/3/4" ROLLER	3
26	17-141	TANK STRAP ANCHOR	8	83	SWI0005079	LIMIT SWITCH-4 POST	3
27	SMS0000198	5/16 X 1/2 NC WHIZ BOLT-PLATED	8	84	BKT0020397	PUSH BACK SWITCH BRACKET	2
28	NMS0000117	5/16 NC WHIZ NUT - PLATED	8	85	20-112	MOTOR MOUNT	2
29	01-807	1/4 NPT X 90* BRASS MALE ELBOW	1	86	WCT0000250	1/4" FLATWASHER - PLATED	2
30	SUP0018024	FUEL TANK SUPPORT RAIL	2	87	WLK0000313	5/16" LOCKWASHER - PLATED	2
31	SC00000303	3/8 X 1-1/4 NC FH SOCKET CS	8	88	SCC0020001	5/16 X 3/4 NC HT CS - PLATED	2
32	HYD0006855	5/16X1/4 CPR ANG SHUTOFF VLV	1	89	CAM0020478	RETURN CAM ASSY	1
33	TUB1752500	1-3/4 X 1/4 WALL DOM RND TUBE	1	90	CAM0020391	SHORT RETURN CAM	1
34	17-134	TANK STRAP F/ OIL TANK	4	91	PSH0018770	PUSH BACK ASSEMBLY	1
35	F 0005950	FIL SCREEN F/FUEL TANK FILLER	1	92	CAM0018103	BALE TLT RET TRIP CAM ASB	1
36	TNK0015296	FUEL TANK ASSEMBLY	1	92	CLP0035773	3-1/2" U-CLAMP	1
37	F 0001689	FUEL TANK CAP	1	93	SCC0070007	5/8 X 2-1/4 NC HT CS - PLATED	4
38	SMR1032500	10-32X1/2 RH MACH SCREW-PLT	5	94	MNT0017693	ARM MOUNT ASSY -BALE TILT	2
39	F 0005948	FUEL TANK GAUGE	1	95	NCH0000625	5/8" NC HEX NUT - PLATED	4
40	F 0005949	GASKET F/FUEL GAUGE	1	96	WLK0000625	5/8" LOCKWASHER - PLATED	4
41	TRP0017918	RETURN TRIP ASSY	2	97	NFH0001032	10-32 NF HEX NUT - PLATED	6
42	SC00000503	1/2 X 1-1/4 NC FH SOCKET CS	2	98	WLK0000100	#10 LOCKWASHER - PLATED	6
43	SMS0000170	3/8"-16 X 3"THUMB SCREW-TYPE P	2	99	SMR1032150	10-32X1-1/2 RH MACH SCREW-PLT	6
44	BAR0020178	PUSHOFF BAR ASSEMBLY	2	100	ARM0015294	BALE TILT ARM ASSEMBLY	1
45	F 0001517	PLUNGER RETURN SPRING TRIP ROD	2	101	ZZ 0000103	1/8 NPT STR 7/16 HEX ZERK	2
46	ACT0020487	STOP ACTUATOR ASSY	1	102	ELV0018762	REAR ELEV SUP FRAME ASSY	1
47	SPC0017934	STP ACT HOLDDOWN SPC	4	103	CYLTC2530J	HYD CYL-TC2.5 X 30 X 1.75" ROD	1
48	ACT0017935	STOP ACT HOLD DOWN	2	104	SCC0000808	3/4 X 2-1/2 NC HT CAP SCREW	2
49	CYL00TC432	HYD CYL-TC4 X 32 X 1.625" ROD	2	105	SCC0080755	3/4 X 3-1/2 NC GR 8 CAP SCREW	4
50	NCH0000500	1/2" NC HEX NUT - PLATED	12	106	MNT0304001	MOUNT-TUBE FORM STA-30-400-1	4
51	WLK0000500	1/2" LOCKWASHER - PLATED	12	107	WAS0018220	CAB MOUNT WASHER	4
52	SPC0018726	BAR GUIDE SPACER	8	108	NCE0007500	3/4" NC ESNA NUT	4
53	SCC0050009	1/2 X 2-3/4 NC HT CS - PLATED	8	109	FD 0000035	DECAL, "DIESEL FUEL ONLY"	1
54	BRG000CF2S	BEARING-CAM FOLLOWER	4	110	FD 0000045	DECAL-HYD TANK OIL LEVEL	1
55	PLT0018525	BAR WEAR PLATE	8	111	FD 0023577	BED SAFETY LATCH DECAL	2

Bed Frame Assembly

7



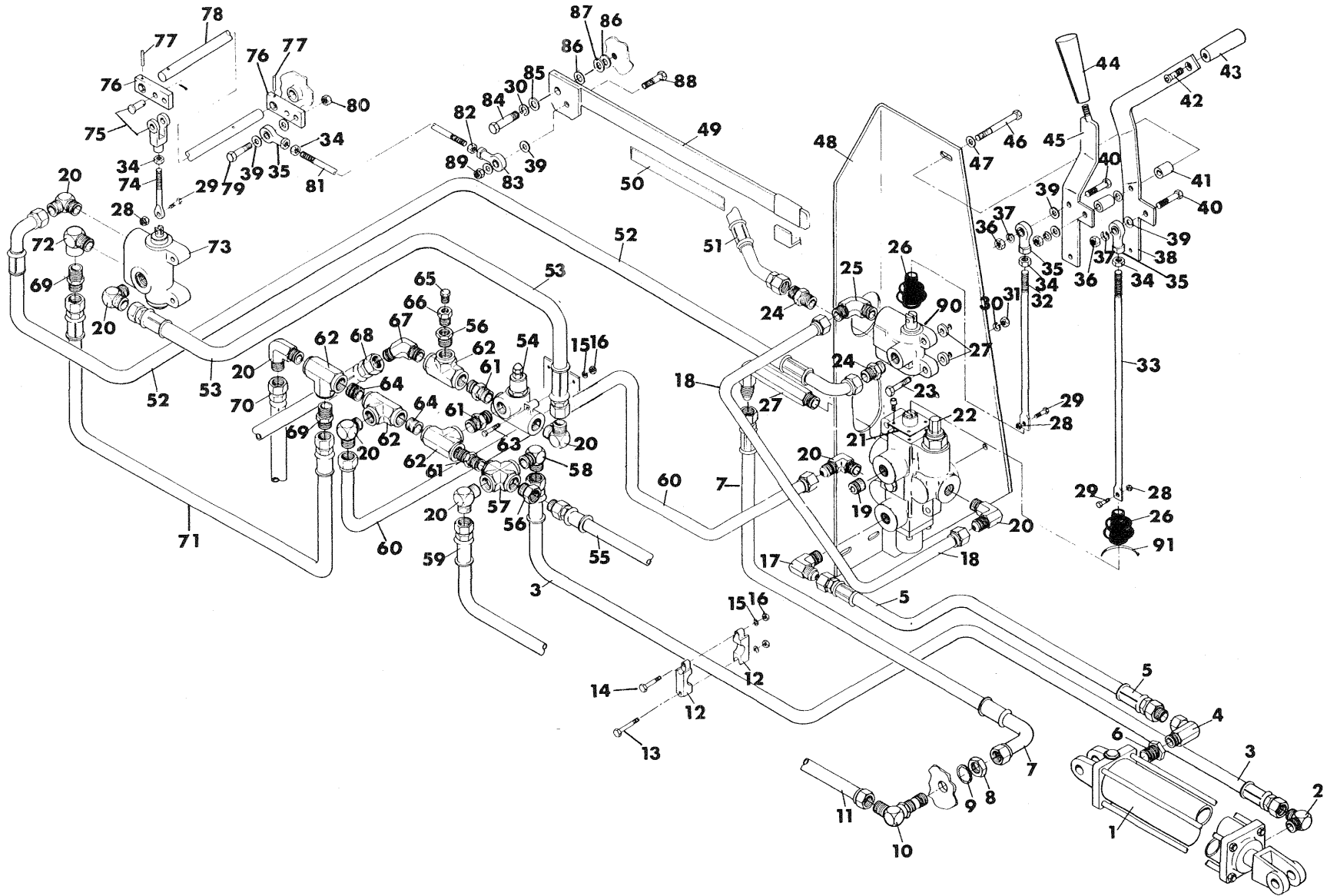
ENLARGED FOR
DETAIL

ENLARGED FOR
DETAIL

Bed Frame Assembly

REF NO.	PART NO.	DESCRIPTION	QTY. USED
1	BED0020157	BED FRAME ASSY	1
2	RAK0018923	ROLLER RACK ASSEMBLY	1
3	NCH0007500	3/4" NC HEX NUT	8
4	WLK0007500	3/4" LOCKWASHER	6
5	BRG00CYR255	CAM FOLLOWER BEARING	2
6	SCC0000812	3/4 X 3-1/2 NC HT CAP SCREW	2
7	SPC0018937	SIDE GUIDE SPACER	A/R
8	PAD0018932	SIDE GUIDE PAD	4
9	SC00000202	5/16 X 1 NC FH SOCKET CS	12
10	SCC0000511	1/2 X 3-1/4 NC HT CAP SCREW	2
11	PAD0018931	VERTICAL STOP PAD	2
12	MNT0018936	SIDE GUIDE PAD MNT	2
13	BRG0002112	ROLLER BEARING	2
14	F 0000247	1-1/8 X 10 GA MACHINE BUSHING	2
15	F C000249	1-1/8 X 18 GA MACHINE BUSHING	A/R
16	NFX0001125	1-1/8" NF FLEX-LOCK JAM NUT	2
17	WLK0003750	3/8" LOCKWASHER	44
18	SCC0000308	3/8 X 2-1/2 NC HT CAP SCREW	4
19	WLK0005000	1/2" LOCKWASHER	27
20	NCH0005000	1/2" NC HEX NUT	27
21	LNK0000523	CONNECTING LINK - BL523	2
22	CHN0020712	ROLLER RACK CHAIN	1
23	06-113	2" PIN W/KEEPER	1
24	COT0000804	3/16 X 1-3/4 COTTER PIN	1
25	F 0006804	EXHAUST CLAMP - 2-1/4"STD DUTY	1
26	CYL0021196	ROLLER RACK CYLINDER ASSY	1
27	SCC0000302	3/8 X 1 NC HT CAP SCREW	2
28	F 0000440	FERRULE	2
29	PIN0020086	BED PIVOT PIN COMPLETE	2
30	SCC0000201	5/16 X 3/4 NC HT CAP SCREW	2
31	PAD0020461	STOP PAD	2
32	SPC0020145	EXTEND STOP SPACER	2
33	PLT0020146	STOP PLATE	2
34	SCC0000508	1/2 X 2-1/2 NC HT CAP SCREW	2
35	CYLTC17552	HYD CYL 1.75 X 52, 1.25 ROD	1
36	TRK0018887	SIDE PUSH-PUSHER TRACK	2
37	CVR0022086	SIDE PUSHER DECK COVER	1
38	SBM0000200	5/16 X 1/2 NC BUTTON HEAD CS	6
39	WCT0000313	5/16" FLATWASHER - PLATED	8
40	NCH0003750	3/8" NC HEX NUT	40
41	ARM0005001	1-1/2" LEVER ARM W/3/4" ROLLER	3
42	SWI0005079	LIMIT SWITCH-4 POST	3
43	MNT0020468	SIDE PUSH EXT STOP SW MNT	1
44	BKT0018027	R.H. BALE TRIP SWITCH BKT	2
45	SCC0000416	7/16 X 5 NC HT CAP SCREW	2
46	FT 0000141	1/2" SET COLLAR	4
47	WCT0004375	7/16" FLATWASHER	8
48	NCE0000438	7/16" NC ESNA NUT - PLATED	2
49	F 0000747	RETURN SPRING	2
50	SCC0000512	1/2 X 3-1/2 NC HT CAP SCREW	2
51	WCT0005000	1/2" FLATWASHER	8
52	SCC0030007	3/8 X 2-1/4 NC HT CS - PLATED	2
53	ZZ 0002016	3/8 SET COLLAR	4
54	ARM0022320	BALE TRIP ARM ASSY	2
55	WCT0003750	3/8" FLATWASHER	8
57	NCE0000375	3/8" NC ESNA NUT - PLATED	2
58	NCE0000500	1/2" NC ESNA NUT - PLATED	2
59	SC00000303	3/8 X 1-1/4 NC FH SOCKET CS	40
60	SCC0000101	1/4 X 3/4 NC HT CAP SCREW	2
61	ARM0005084	3" LEVER ARM W/3/4" ROLLER	1
62	SHR1032150	10-32X1-1/2 RH MACH SCREW-PLT	10
63	SWI0005081	LIMIT SWITCH-8 POST	1
64	WLK0000250	1/4" LOCKWASHER - PLATED	2
65	NCH0000250	1/4" NC HEX NUT - PLATED	2
66	BKT0018589	SIDE PUSH RET STOP SW BKT	1
67	WLK0000100	#10 LOCKWASHER - PLATED	10
68	NFH0001032	10-32 NF HEX NUT - PLATED	10
69	SHM0020499	WEAR STRIP SHIM-SIDE PUSH	A/R
70	SRP0016794	PUSHER GUIDE PAD WEAR STRIP	8
71	MNT0018888	SIDE PUSH-WEAR STRIP MNT	4
72	SCC0000108	1/4 X 2-1/2 NC HT CAP SCREW	16
73	PSH0018876	SIDE PUSHER ASY	1
74	MMS0000250	1/4" NC WHIZ NUT - PLATED	16
75	SCC0000806	3/4 X 2 NC HT CAP SCREW	4
76	SCC0000201	5/16 X 3/4 NC HT CAP SCREW	1
77	WCT0000313	5/16" FLATWASHER - PLATED	1
78	CAM0020469	SIDE PUSH-EXTEND STOP CAM	1
79	PSH0018877	SIDE PUSH-TUBE ASSY	1
80	ROD0020071	ADJUSTING ROD ASSY	1
81	ELC0000003	LIMIT SW LEVER ARM-SPRING TYPE	1
82	BSH0020801	SHEAVE BUSHING	1
83	SHV0018892	CYL. HEAD SHEAVE	1
84	SC00000201	5/16 X 3/4 NC FH SOCKET CS	4
85	NFH0005000	1/2" NF HEX NUT	1
86	PLT0020390	CYL HEAD GUIDE PLT	1
87	SPC0020389	CYL HEAD GUIDE SPC	1
88	SFC00080506	1/2 X 2 NF GR 8 CAP SCREW	1
89	FD 0023577	BED SAFETY LATCH DECAL	2
90	FD 0007113	FREEMAN DECAL, WHITE	2
91	FD 0023574	DECAL-"DANGER-KEEP AWAY" F/OPEN	2
92	FD 0007111	FREEMAN DECAL, WHITE	1

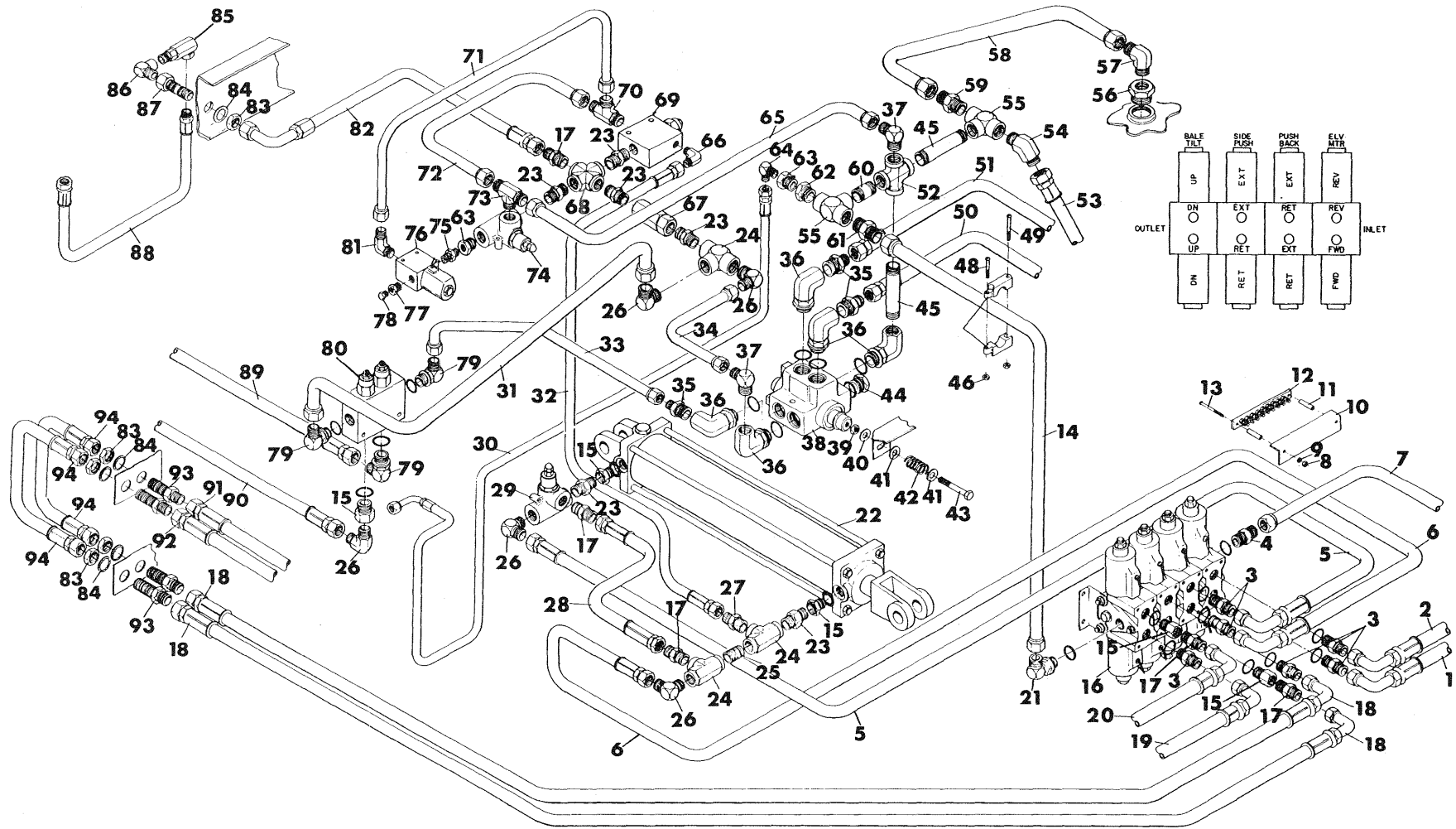
Pickup Lift & System Select Hydraulics



6

Pickup Lift & System Select Hydraulics

REF NO.	PART NO.	DESCRIPTION	QTY. USED
1	CYL0009118	2.5 X 18 HYDRAULIC CYLINDER	1
2	HYD5405040	1/2 JIC X 3/8 NPT 90* MALE ELB	1
3	HOS0020538	PICKUP CYL RETURN HOSE	1
4	HYD0610606	3/8 SWIVEL ADAPT ELB FEM UNION	1
5	HOS0020539	PICKUP CYL PRESSURE HOSE	1
6	HYD3109043	1/2 X 3/8 STEEL PIPE BUSHING	1
7	HOS0020523	STACK VALVE PRESSURE HOSE	1
8	HYD5924060	3/4" BULKHEAD NUT	1
9	WES0011250	1-1/8" EXT. STAR WASHER-PLTD	1
10	HYD5525060	3/4 JIC X 90* BLKHD UNION ELB	1
11	TBE0020561	STACK VALVE PRESSURE TUBE	1
12	06-106	3/4" TUBE CLAMP	6
13	SCC0000103	1/4 X 1-1/4 NC HT CAP SCREW	6
14	SCC0000105	1/4 X 1-3/4 NC HT CAP SCREW	6
15	WLK0002500	1/4" LOCKWASHER	14
16	NCH0002500	1/4" NC HEX NUT	14
17	HYD5405044	1/2 JIC X 1/2 NPT 90* MALE ELB	1
18	TBE0020557	P/U LIFT VALVE PRESS TUBE	1
19	HYD3169040	1/2" SOCKET HD STEEL PIPE PLUG	1
20	HYD5405060	3/4 JIC X 3/4 NPT 90* MALE ELB	8
21	MNT0022068	PRINCE P/U VLV ROD BOOT MT	1
22	VLV0512143	SINGLE SPOOL VLV RD512AA1A4C3	1
23	SCC0000206	5/16 X 2 NC HT CAP SCREW	2
24	HYD5205064	3/4 JIC X 1/2 NPT MALE CONN	1
25	HYD5405064	3/4 JIC X 1/2 NPT 90* MALE ELB	1
26	WAG0023089	RUBBER BOOT	2
27	HYD5425060	3/4 JIC X 3/4 NPT 90* LONG ELB	1
28	NCE0000250	1/4" NC ESNA NUT - PLATED	3
29	SCC0000104	1/4 X 1-1/2 NC HT CAP SCREW	3
30	WLK0000313	5/16" LOCKWASHER - PLATED	5
31	NCH0000313	5/16 NC HEX NUT - PLATED	5
32	ROD0020496	SELECTOR VALVE LEVER ROD	1
33	ROD0022074	PICKUP VALVE TO LEVER ROD	1
34	NFH0003750	3/8" NF HEX NUT	4
35	ROD0000006	ROD END-FEMALE-3/8 NF RH	3
36	NCH0003750	3/8" NC HEX NUT	3
37	WLK0000375	3/8" LOCKWASHER - PLATED	3
38	LEV0021444	P/U LIFT LEVER	1
39	FT 0000209	WASHER 3/8X5/8X14GA	6
40	SCC0000304	3/8 X 1-1/2 NC HT CAP SCREW	2
41	07-120	1" DIA. X 1-3/16" SPACER	2
42	SC00000502	1/2 X 1 NC FH SOCKET CS	1
43	HAN0017799	PICKUP LIFT LEVER HANDLE	1
44	HAN0008TH3	TAPERED PLASTIC HANDLE-3/8 NF	1
45	LEV0017800	SELECTOR VALVE LEVER ASSY	1
46	SCC0000312	3/8 X 3-1/2 NC HT CAP SCREW	1
47	WCT0003750	3/8" FLATWASHER	3
48	MNT0020310	HYD CONTROLS & VALVE MNT	1
49	BAR0017965	SAFETY GATE BAR ASSY	1
50	FD 0023578	SAFETY GATE DECAL	1
51	HOS0020524	P/O/BED TLT VLV PRESS HOS	1
52	HOS0020552	SELECTOR VALVE PRESS HOSE	1
53	HOS0020530	SAFETY GATE VLV PRESS HOS	1
54	VLV0001175	RELIEF VALVE 3/4 PORT 2000PSI	1
55	HOS0020554	PWR STEERING RETURN HOSE	1
57	HYD3109064	3/4 X 1/2 STEEL PIPE BUSHING	2
57	HYD3959060	3/4 STEEL PIPE CROSS	1
58	HYD5405046	1/2 JIC X 3/4 NPT 90* MALE ELB	1
59	HOS0020522	BED TILT/PUSHOFF RET HOSE	1
60	TBE0020558	PICKUP LIFT VLV RET TUBE	1
61	HYD3069060	3/4 NPT STEEL HEX NIPPLE	3
62	HYD3709060	3/4 STEEL FEMALE PIPE TEE	4
63	SCC0000104	1/4 X 1-1/2 NC HT CAP SCREW	2
64	01-738	3/4 X CLOSE XM BLK PIPE NIPPLE	2
65	HYD3159020	1/4 HEX HEAD STEEL PIPE PLUG	1
66	HYD3109042	1/2 X 1/4 STEEL PIPE BUSHING	1
67	HYD5355060	3/4 JIC X 3/4 NPT 45* MALE ELB	1
68	HOS0018386	PUMP PRESSURE HOSE	1
69	HYD5205060	3/4 JIC X 3/4 NPT MALE CONN	2
70	HOS0020551	MAIN SYSTEM RETURN HOSE	1
71	HOS0020571	SAFETY GATE VLV RET HOSE	1
72	HYD3409060	3/4 X 90* STEEL STREET ELBOW	1
73	VLV0000074	SELECTOR VALVE	1
74	ROD0018164	SAFETY GATE VALVE TO LEVER ROD	1
75	06-125	3/8 CLEVIS	1
76	LEV0017968	SAFETY GAT BELL CRA LEV	2
77	ZZ 0000726	3/16 X 1 ROLL PIN	2
78	SHF0017969	SAFETY GATE BELL CRANK SHAFT	1
79	SCC0030005	3/8 X 1-3/4 NC HT CS - PLATED	1
80	NCE0000375	3/8" NC ESNA NUT - PLATED	1
81	ROD0017970	SAFETY GATE ROD	1
82	NFL0003750	3/8" NF LH HEX NUT - PLATED	1
83	ROD0000060	ROD END-FEMALE-3/8 NF LH	1
84	SCC0020001	5/16 X 3/4 NC HT CS - PLATED	1
85	WCT0000313	5/16" FLATWASHER - PLATED	1
86	F 0008315	WASHER 1/2"X 7/8"X .030 SEASTR	2
87	F 0006782	17/32 X 15/16 BOW WASHER	1
88	SFC0030002	3/8 X 1 NF HT CS - PLATED	1
89	NFX0000375	3/8" NF FLEX-LOCK NUT	1
90	VLV0000500	SELECTOR VALVE	1
91	CBT5058750	3/16 X 5-7/8 CABLE TIE	1

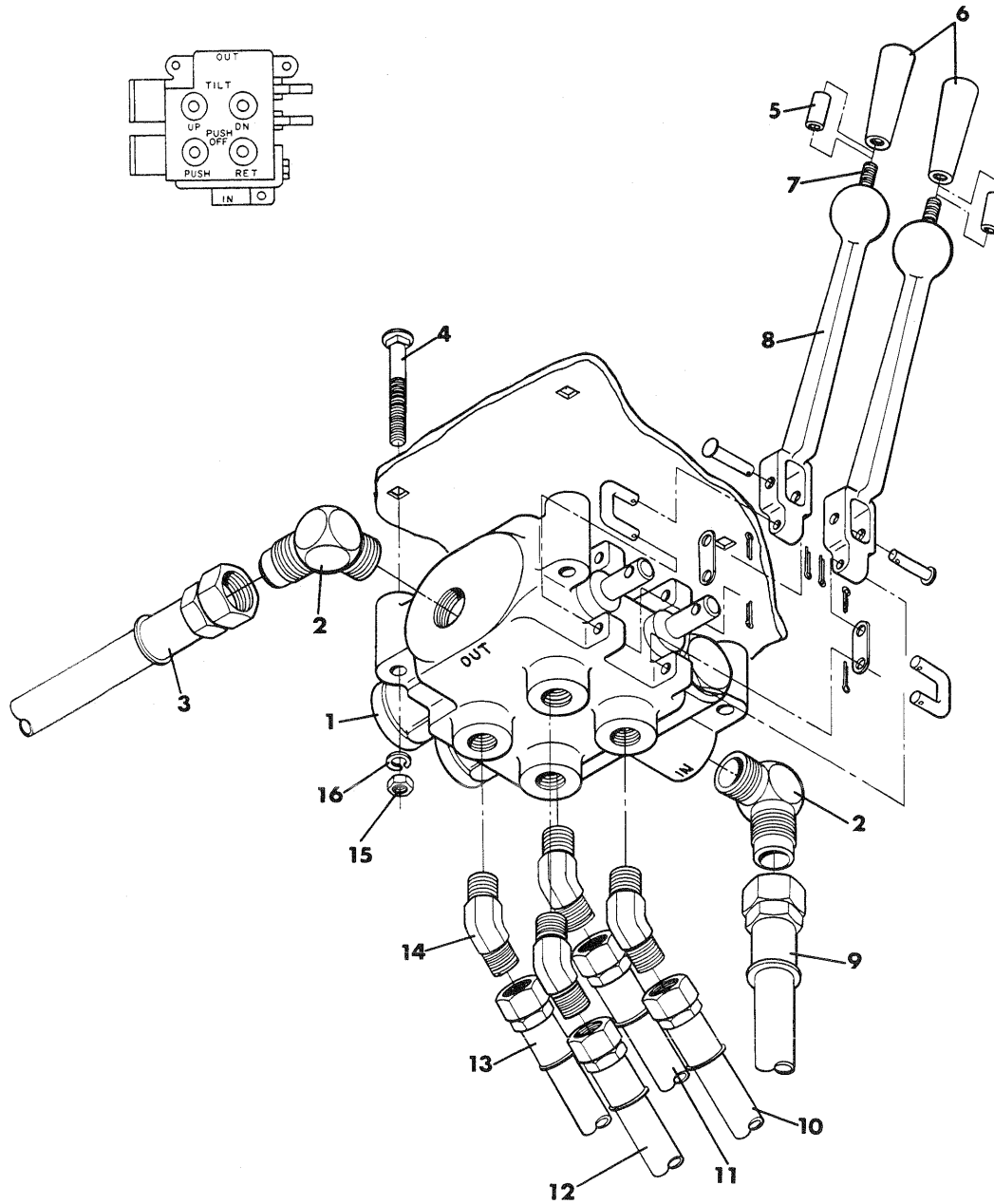


Main Hydraulic System

Main Hydraulic System

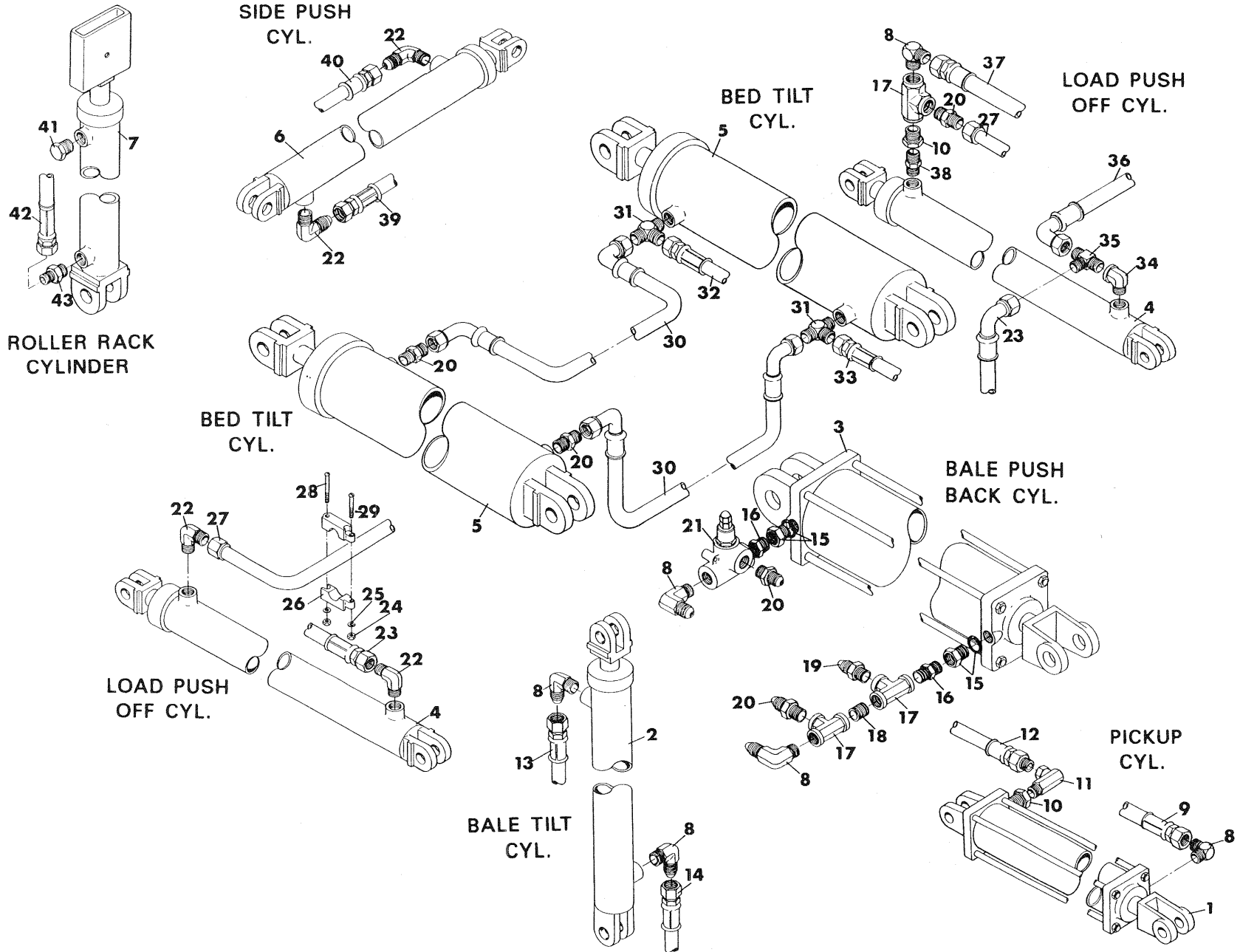
REF NO.	PART NO.	DESCRIPTION	QTY. USED	REF NO.	PART NO.	DESCRIPTION	QTY. USED
1	HOS0020546	ELEV MOTOR FORWARD HOSE	1	48	SCC0000104	1/4 X 1-1/2 NC HT CAP SCREW	1
2	HOS0020545	ELEV MOTOR REVERSE HOSE	1	49	SCC0000107	1/4 X 2-1/4 NC HT CAP SCREW	1
3	HYD5315040	1/2 JIC X 1/2 O-RNG ST THD CONN	6	50	HOS0020529	BED TILT CYL "DOWN" HOSE	1
4	HYD5315060	3/4 JIC X 3/4 O-RNG ST THD CONN	1	51	HOS0020528	BED TILT CYL "UP" HOSE	1
5	HOS0020543	PUSHBACK CYL RETURN HOSE	1	52	HYD3959060	3/4 STEEL PIPE CROSS	1
6	HOS0020544	PUSHBACK CYL EXTEND HOSE	1	53	HOS0020551	MAIN SYSTEM RETURN HOSE	1
7	TBE0020561	STACK VALVE PRESSURE TUBE	1	54	HYD5355060	3/4 JIC X 3/4 NPT 45° MALE ELB	1
8	NFH0001032	10-32 NF HEX NUT - PLATED	6	55	HYD3709060	3/4 STEEL FEMALE PIPE TEE	2
9	WLK0000100	#10 LOCKWASHER - PLATED	2	56	HYD3109097	1-1/2 X 1 STEEL PIPE BUSHING	1
10	COV0020308	TERMINAL STRIP COVER-8 POST	1	57	HYD5405070	1" JIC X 1" NPT 90° MALE ELB	1
11	11-262	1" SPACE F/JUNC BLOCK	2	58	TBE0020569	MAIN SYSTEM RETURN TUBE	1
12	TEB0472108	8 POST TERMINAL BLOCK #4721-P8	1	59	HYD5205086	1" JIC X 3/4 NPT MALE CONN	1
13	SMR1032200	10-32X2 RH MACH SCREW	2	60	PPE0000750	3/4 XCLO STD BLK PIPE NIPPLE	1
14	TBE0020568	STACK VALVE RETURN TUBE	1	61	HYD5205060	3/4 JIC X 3/4 NPT MALE CONN	1
15	HYD3269044	1/2 O-RING X 1/2 NPT FEM ADAPT	4	62	HYD3109064	3/4 X 1/2 STEEL PIPE BUSHING	1
16	VLV481313S	STACK VALVE 4813-13-13-13-S	1	63	HYD3109043	1/2 X 3/8 STEEL PIPE BUSHING	1
17	HYD5205044	1/2 JIC X 1/2 NPT MALE CONN	5	64	F 0006719	1/4 JIC X 3/8 NPT 90° MALE ELB	1
18	HOS0020534	SIDE PUSH 86-1/2" HOSE	2	65	TBE0020570	CTR BAL VALVE RETURN TUBE	1
19	HOS0020542	BALE TILT CYL EXTEND HOSE	1	66	F 0006638	3/8 JIC X 1/4 NPT 90° MALE ELB	1
20	HOS0020541	BALE TILT CYL RETURN HOSE	1	67	F 0006657	CHECK VALVE-5 PSI X 1/2"	1
21	HYD5515060	3/4 JIC X 3/4 O-RING 90° ELBOW	1	68	HYD3959040	1/2 STEEL PIPE CROSS	1
22	CYL0009320	3.5 X 20 HYDRAULIC CYLINDER	1	69	VLV0000006	COUNTER BALANCE VALVE	1
23	HYD3069040	1/2 NPT STEEL HEX NIPPLE	6	70	HYD5755444	1/2 JIC X 1/2 NPT MALE RUN TEE	1
24	HYD3709040	1/2 STEEL FEMALE PIPE TEE	3	71	TBE0020563	CTR BAL TO DELTA VLV TUBE	1
25	01-720	1/2 X CLOSE EX HVY BLK NIPPLE	1	72	TBE0020564	REL VALVE TO CTR BAL TUBE	1
26	HYD5405044	1/2 JIC X 1/2 NPT 90° MALE ELB	5	73	HYD5605044	1/2 JIC X 1/2 NPT MALE BR TEE	1
27	HYD5205034	3/8 JIC X 1/2 NPT MALE CONN	1	74	01-514	RELIEF VALVE 1500 PSI	1
28	HOS0020555	PUSHBACK CYL RELIEF HOSE	1	75	HYD3069030	3/8 NPT STEEL HEX NIPPLE	1
29	01-506	RELIEF VALVE 500PSI	1	76	VLV8500509	VALVE W/3/8" NPT-85005009	1
30	HOS0020540	ELEV MTR CASE DRAIN HOSE	1	77	HYD3109032	3/8 X 1/4 STEEL PIPE BUSHING	1
31	TBE0020565	CHK VALVE TO CTR BAL TUBE	1	78	HYD3159020	1/4 HEX HEAD STEEL PIPE PLUG	1
32	HOS0020548	PUSHBACK CYL RETURN HOSE	1	79	HYD5515040	1/2 JIC X 1/2 O-RING 90° ELBOW	3
33	TBE0020567	CTR BAL/DBL SEL PRESS TUB	1	80	VLV0000022	VALVE-DUAL COUNTER BALANCE	1
34	TBE0020566	CHK VLV TO DBL SELECT TUB	1	81	HYD5405040	1/2 JIC X 3/8 NPT 90° MALE ELB	1
35	HYD5205046	1/2 JIC X 3/4 NPT MALE CONN	3	82	HOS0020531	ROLLER RACK CYL 75" HOSE	1
36	HYD3459060	3/4 X 3/4 90° ST TH MALE ELBOW	5	83	HYD5924040	1/2" BULKHEAD NUT	5
37	HYD5405046	1/2 JIC X 3/4 NPT 90° MALE ELB	1	84	WIS0007500	3/4 INTERNAL STAR WASHER-PLT	5
38	VLV0000076	VALVE-DOUBLE SELECTOR-DS126CHA	1	85	01-419	3/8X90°ROT SWIV HYD FITTING-IMP	1
39	NCH0000375	3/8" NC HEX NUT - PLATED	1	86	HYD3409030	3/8 X 90° STEEL STREET ELBOW	1
40	WCT0000375	3/8" FLATWASHER - PLATED	1	87	HYD5275040	1/2 JIC X 3/8 NPT FEM BLKHD CONN	1
41	F 0000440	FERRULE	2	88	HOS0020626	ROLLER RACK CYL 39" HOSE	1
42	F 0007541	COMPRESSION SPRING	1	89	HOS0020550	BED TILT CYL "UP" HOSE	1
43	SCC0030009	3/8 X 2-3/4 NC HT CS - PLATED	1	90	HOS0020629	BED TILT CYL RETURN HOSE	1
44	HYD7237060	3/4" O-RNG HEX HEAD PLUG-PLTD	1	91	HOS0020537	SIDE PUSH CYL EXTEND HOSE	1
45	PPE7504500	3/4 X4-1/2 EM BLK PIPE NIPPL	2	92	HOS0020536	SIDE PUSH CYL RETURN HOSE	1
46	NCE0000250	1/4" NC ESNA NUT - PLATED	2	93	HYD5325040	1/2 JIC BULKHEAD UNION	2
47	06-106	3/4" TUBE CLAMP	2	94	HOS0020535	SIDE PUSH 39-3/4" HOSE	2

Push Off And Bed Tilt Control Valve



Push Off And Bed Tilt Control Valve

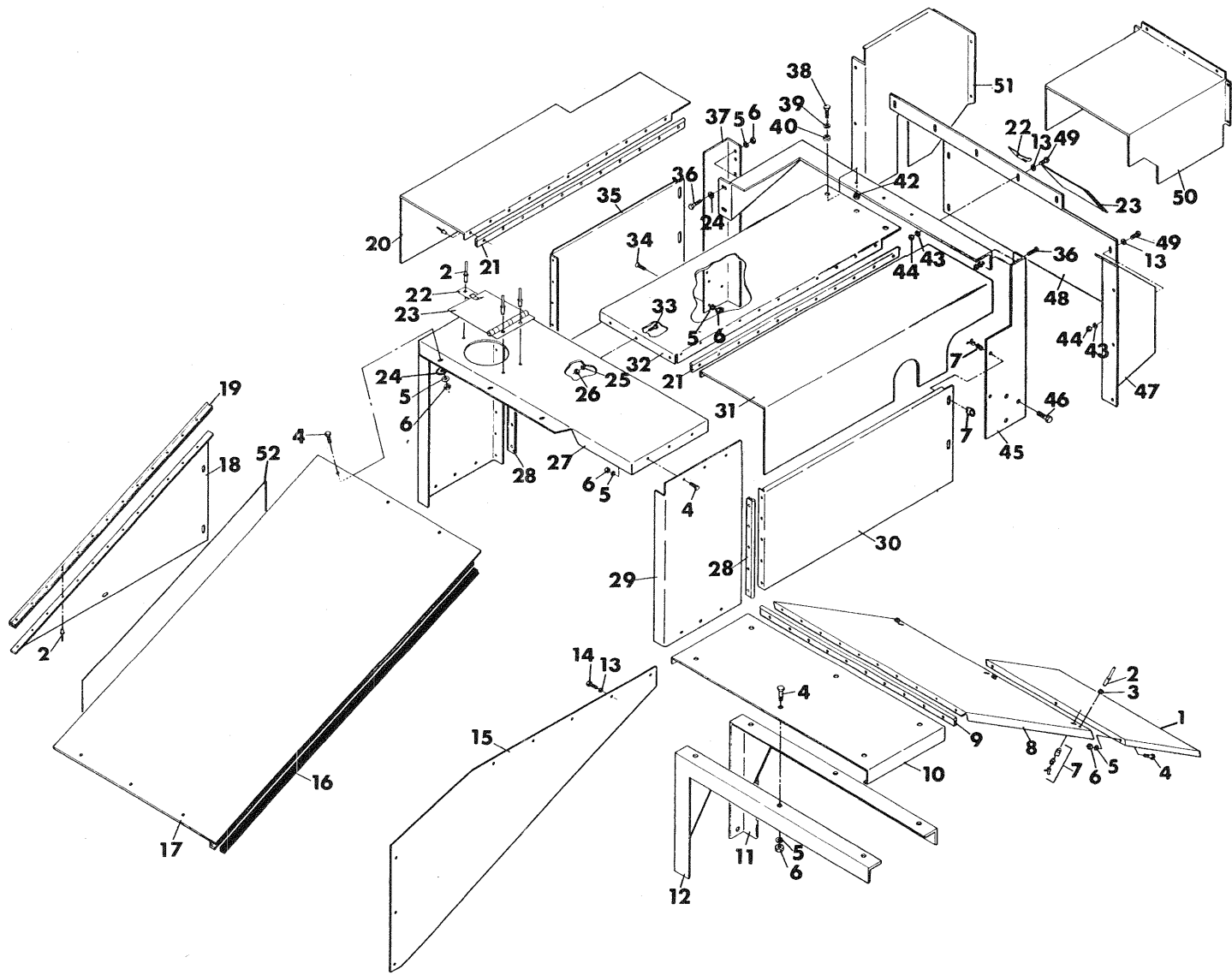
REF NO.	PART NO.	DESCRIPTION	QTY. USED
1	01-516	VALVE	1
2	HYD5405060	3/4 JIC X 3/4 NPT 90* MALE ELB	2
3	HOS0020522	BED TILT/PUSHOFF RET HOSE	1
4	CRB3750275	3/8 X 2-3/4 CARRIAGE BOLT-PLTD	3
5	SPC0020342	UNLOAD CONTROL LEV SPACER	2
6	HAN0008TH3	TAPERED PLASTIC HANDLE-3/8 NF	2
7	EXT0020341	UNLOAD CONTROL LEVER EXTN	2
8	LEV0020340	UNLOAD CONTROL LEVER	2
9	HOS0020524	P/O/BED TLT VLV PRESS HOS	1
10	HOS0020525	PUSHOFF CYL RETURN HOSE	1
11	HOS0020527	PUSHOFF CYL PRESSURE HOSE	1
12	HOS0020529	BED TILT CYL "DOWN" HOSE	1
13	HOS0020528	BED TILT CYL "UP" HOSE	1
14	HYD5355044	1/2 JIC X 1/2 NPT 45* MALE ELB	4
15	NCH0003750	3/8" NC HEX NUT	3
16	WLK0003750	3/8" LOCKWASHER	3



Hydraulic Cylinders Plumbing

REF NO.	PART NO.	DESCRIPTION	QTY. USED
1	CYL0009118	2.5 X 18 HYDRAULIC CYLINDER	1
2	CYLTC2530J	HYD CYL-TC2.5 X 30 X 1.75" ROD	1
3	CYL0009320	3.5 X 20 HYDRAULIC CYLINDER	1
4	CYL00TC260	HYD CYL-TC2 X 60 X 1.25" ROD	2
5	CYL00TC432	HYD CYL-TC4 X 32 X 1.625" ROD	1
6	CYLTC17552	HYD CYL 1.75 X 52, 1.25 ROD	1
7	CYL0021196	ROLLER RACK CYLINDER ASSY	1
8	HYD5405044	1/2 JIC X 1/2 NPT 90* MALE ELB	6
9	HOS0020538	PICKUP CYL RETURN HOSE	1
10	HYD3109043	1/2 X 3/8 STEEL PIPE BUSHING	2
11	HYD0610606	3/8 SWIVEL ADAPT ELB FEM UNION	1
12	HOS0020539	PICKUP CYL PRESSURE HOSE	1
13	HOS0020541	BALE TILT CYL RETURN HOSE	1
14	HOS0020542	BALE TILT CYL EXTEND HOSE	1
15	HYD3269044	1/2 O-RING X 1/2 NPT FEM ADAPT	2
16	HYD3069040	1/2 NPT STEEL HEX NIPPLE	2
17	HYD3709040	1/2 STEEL FEMALE PIPE TEE	3
18	01-720	1/2 X CLOSE EX HVY BLK NIPPLE	1
19	HYD5205034	3/8 JIC X 1/2 NPT MALE CONN	1
20	HYD5205044	1/2 JIC X 1/2 NPT MALE CONN	1
21	01-506	RELIEF VALVE 500PSI	1
22	HYD5405040	1/2 JIC X 3/8 NPT 90* MALE ELB	4
23	HOS0020526	PUSHOFF CYL CROSSOVER HOS	1
24	NCH0000250	1/4" NC HEX NUT - PLATED	8
25	WLK0000250	1/4" LOCKWASHER - PLATED	8
26	06-106	3/4" TUBE CLAMP	4
27	TBE0020562	PUSHOFF CYL CROSSOVER TBE	1
28	SCC0000107	1/4 X 2-1/4 NC HT CAP SCREW	2
29	SCC0000103	1/4 X 1-1/4 NC HT CAP SCREW	2
30	HOS0020547	BED TLT CYL CROSSOVER HOS	1
31	HYD5755444	1/2 JIC X 1/2 NPT MALE RUN TEE	2
32	HOS0020629	BED TILT CYL RETURN HOSE	1
33	HOS0020550	BED TILT CYL "UP" HOSE	1
34	HYD3409030	3/8 X 90* STEEL STREET ELBOW	1
35	HYD5755040	1/2 JIC X 3/8 NPT MALE RUN TEE	1
36	HOS0020527	PUSHOFF CYL PRESSURE HOSE	1
37	HOS0020525	PUSHOFF CYL RETURN HOSE	1
38	HYD3069030	3/8 NPT STEEL HEX NIPPLE	1
39	HOS0020537	SIDE PUSH CYL EXTEND HOSE	1
40	HOS0020536	SIDE PUSH CYL RETURN HOSE	1
41	01-602	3/8" BREATHER	1
42	HOS0020626	ROLLER RACK CYL 39" HOSE	1
43	HYD5205040	1/2 JIC X 3/8 NPT MALE CONN	1

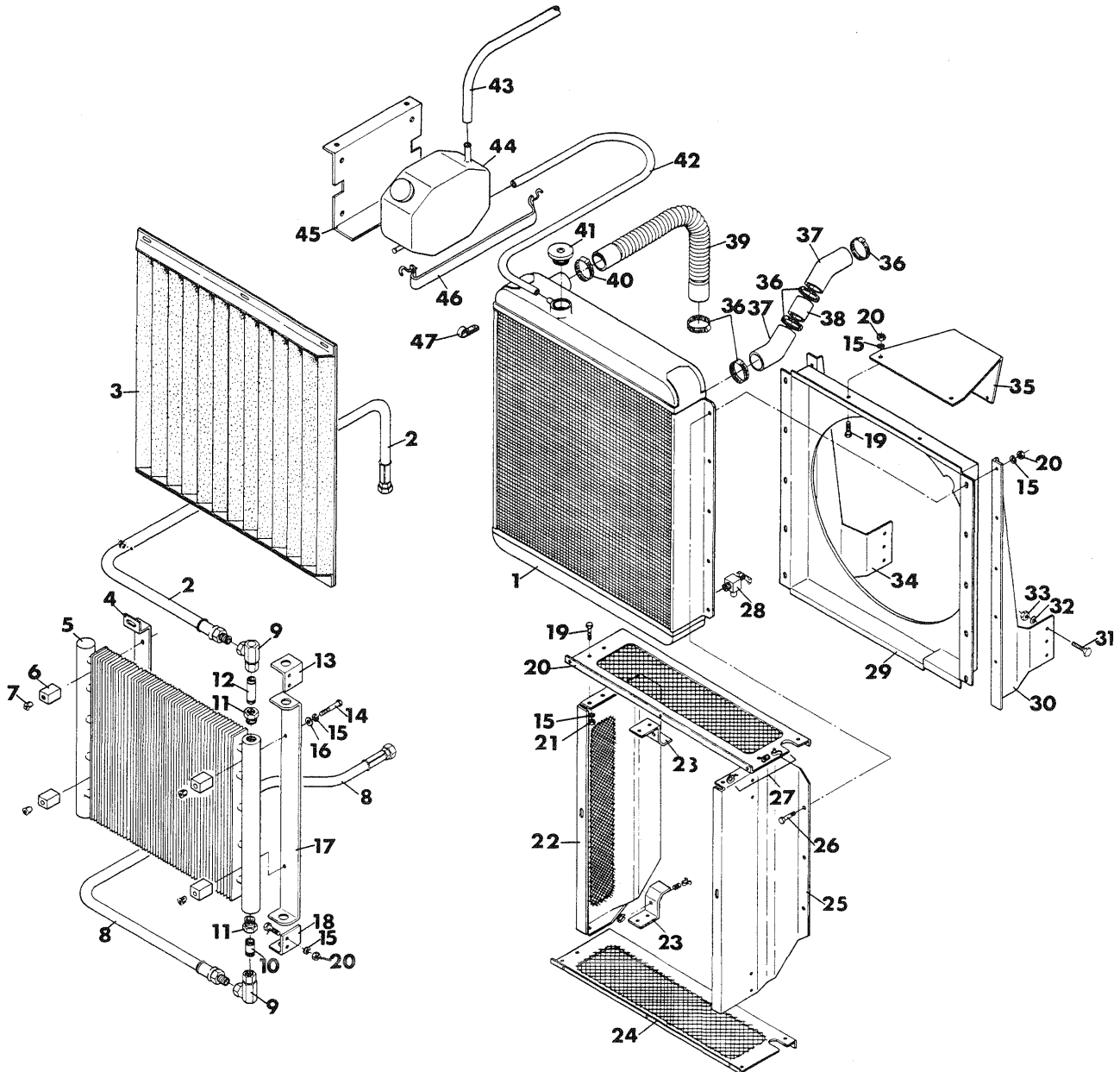
Cowlings And Fender



Cowlings And Fender

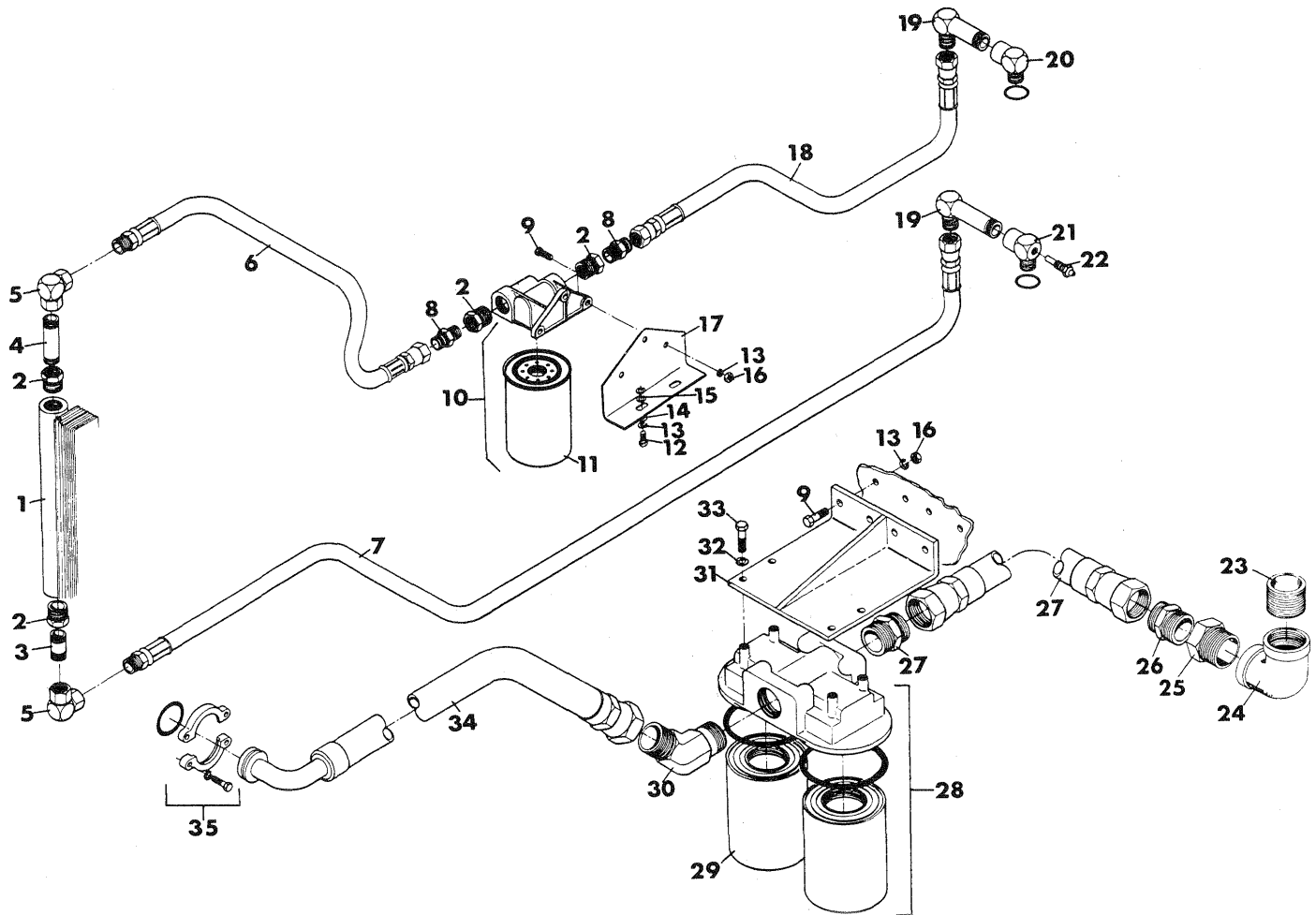
REF NO.	PART NO.	DESCRIPTION	QTY. USED
1	FEN0020439	LOWER REAR FENDER	1
2	RIV000123	SS RIVET-3/16 X .251-.375 GRIP	115
3	BMP0004243	RUBBER BUMPER F/HOOD	3
4	SCC0000301	3/8 X 3/4 NC HT CAP SCREW	18
5	WLK0003750	3/8" LOCKWASHER	34
6	NCH0003750	3/8" NC HEX NUT	34
7	FST0010401	MED DUTY FOLDING HANDLE FASTNR	12
8	FEN0020381	REAR FENDER	1
9	HNG0020642	FENDER HINGE	1
10	FEN0020380	TOP FENDER	1
11	SUP2037501	REAR FENDER SUPPORT ASSY	1
12	SUP2037500	FRONT FENDER SUPPORT ASSY	1
13	WCT0000250	1/4" FLATWASHER - PLATED	21
14	SMS0000173	1/4 X 1/2 NC WHIZ BOLT-PLATED	8
15	CVR0020344	R. H. SIDE COVER	1
16	SELO000102	1-1/4 X 1 COMPRESSION SEAL	1
17	CWLO020348	FRONT SECTION COWL	1
18	CWLO020349	RIGHT FRONT COWL COVER	1
19	HNG0020645	FRONT COWLING HINGE	1
20	CWLO020314	RIGHT SIDE TOP COWL	1
21	HNG0020644	TOP CLOWING HINGE	2
22	F 0006108	CATCH FOR INSPECTION COVER	2
23	COV0009843	RADIATOR CAP COVER	2
24	WCT0003750	3/8" FLATWASHER	5
25	WLK0000313	5/16" LOCKWASHER - PLATED	3
26	NCH0000313	5/16 NC HEX NUT - PLATED	3
27	CWLO020250	TOP & RIGHT FRONT COWL	1
28	HNG0020643	SIDE COWLING HINGE	2
29	CWLO020284	FRONT LEFT SIDE COWL	1
30	CWLO020317	LEFT SIDE COWL	1
31	CWLO020315	LEFT SIDE TOP COWL	1
32	CWLO020249	CENTER COWLING	1
33	SCC0000201	5/16 X 3/4 NC HT CAP SCREW	3
34	SC00000303	3/8 X 1-1/4 NC FH SOCKET CS	3
35	CWLO020316	RIGHT SIDE COWL	1
36	SCC0000302	3/8 X 1 NC HT CAP SCREW	4
37	SUP0020248	R. H. REAR SUPPORT	1
38	SCC0000202	5/16 X 1 NC HT CAP SCREW	3
39	WCT0000313	5/16" FLATWASHER - PLATED	3
40	GRM0002856	5/16X9/16X1/8 RUBBER GROMMET	3
41	SUP0020214	REAR SUPPORT ASSY	1
42	NCE0003125	5/16" NC ESNA NUT	3
43	WLK0000250	1/4" LOCKWASHER - PLATED	20
44	NCH0000250	1/4" NC HEX NUT - PLATED	20
45	SUP0020243	L. H. REAR SUPPORT	1
46	SCC0000303	3/8 X 1-1/4 NC HT CAP SCREW	9
47	CWLO020338	LEFT SIDE REAR COWL	1
48	CWLO020335	REAR SECTION COWL	1
49	SCC0000101	1/4 X 3/4 NC HT CAP SCREW	20
50	SHD0020374	PARKING BRAKE DRUM SHIELD	1
51	CWLO020334	RIGHT SIDE REAR COWL	1
52	FD 0007111	FREEMAN DECAL, WHITE	1

Radiator And Screens

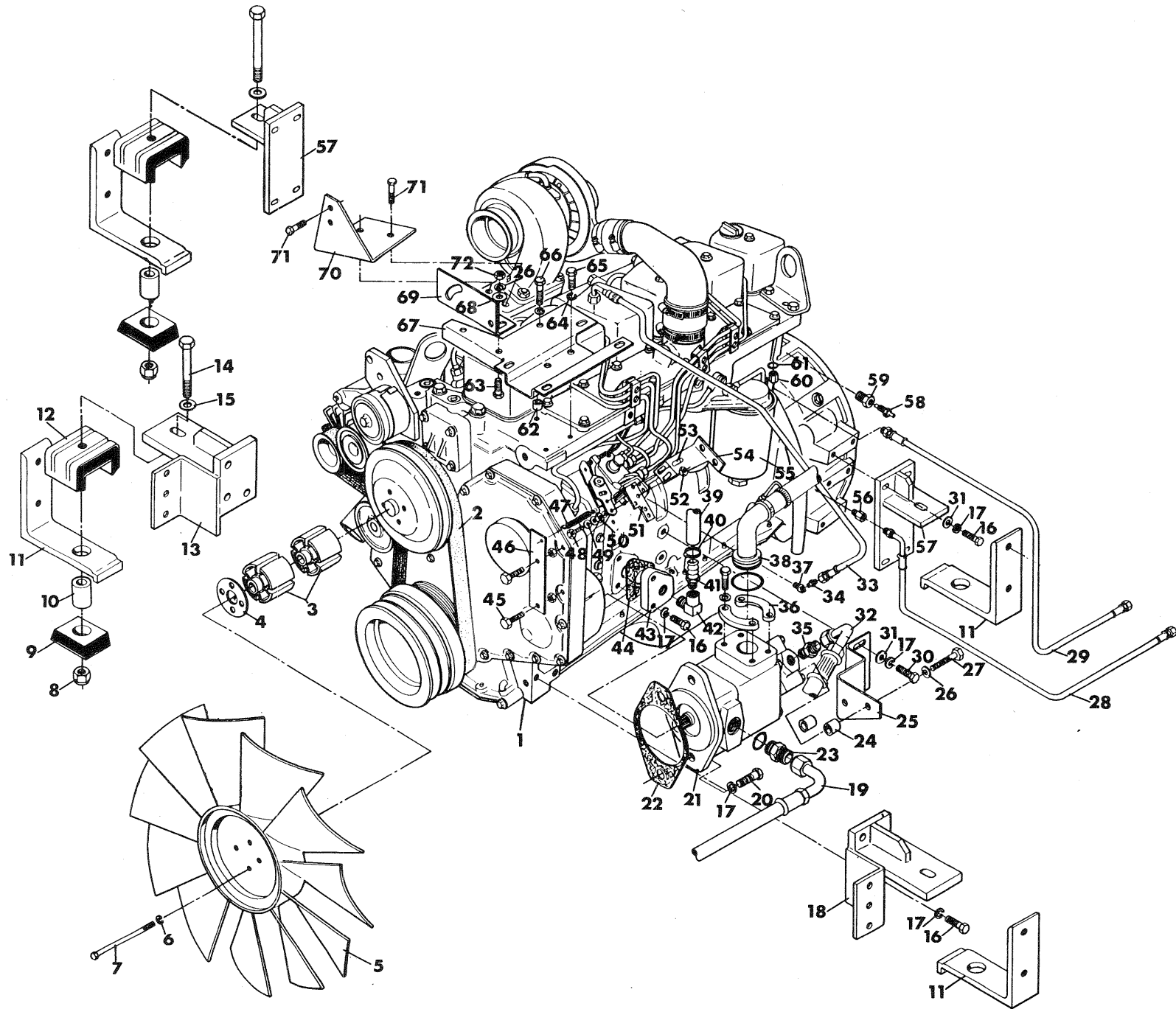


REF NO.	PART NO.	DESCRIPTION	QTY. USED	REF NO.	PART NO.	DESCRIPTION	QTY. USED
1	RAD0022613	RADIATOR F/CUM ENG	1	25	GRLO020605	LH CLR GRL SIDE	1
2	HOS0022234	TRANS FILTER-COOLER HOSE	1	26	SCC0000202	5/16 X 1 NC HT CAP SCREW	8
3	GRLO020613	GRILL SCREEN ASSEMBLY	1	27	FST0010401	MED DUTY FOLDING HANDLE FASTNR	8
4	SUP0020602	R. H. OIL COOLER SUPPORT	1	28	HYD0000120	1/4" ANGLE BIB DRAIN	1
5	CLR0029711	OIL COOLER	1	29	SHRO020258	FAN SHROUD ASSEMBLY	1
6	CLR0002094	MOUNTING BLOCK-OIL COOLER	4	30	MNT1807201	L. H. RADIATOR MOUNT	1
7	CLR0002353	TEE NUT-OIL COOLER MOUNT	4	31	SCC0000303	3/8 X 1-1/4 NC HT CAP SCREW	6
8	HOS0022235	TRANSMISSION TO COOLER HOSE	1	32	WLK0003750	3/8" LOCKWASHER	6
9	HYD0059888	1/2"X 90 DEG HYD SWIV FITTING	2	33	NCH0003750	3/8" NC HEX NUT	6
10	PPE5000150	1/2 X1-1/2 STD BLK NIPPL	1	34	MNT1807200	R. H. RADIATOR MOUNT	1
11	HYD3109064	3/4 X 1/2 STEEL PIPE BUSHING	2	35	BRC0019532	CUMMINS RADIATOR BRC	1
12	PPE5000400	1/2 X 4 STD BLK PIPE NIPPL	1	36	F 0006830	RADIATOR HOSE CLAMP	5
13	BKT2060101	UPPER OIL COOL PIVOT BKT	1	37	HSE0007329	RADIATOR HOSE	1
14	SCC0000206	5/16 X 2 NC HT CAP SCREW	4	38	RAD0002004	2" X 4" LONG RADIATOR PIPE	1
15	WLK0003125	5/16" LOCKWASHER	30	39	HSE0000086	RADIATOR HOSE - FLEXIBLE	1
16	WCT0003125	5/16" FLATWASHER	4	40	CLP0005444	SIZE 44 HOSE CLAMP	1
17	SUP0020600	LHS OIL COLLER SUPT	1	41	F 0006821	RADIATOR CAP	1
18	BKT2060100	LOWER OIL COOL PIVOT BKT	1	42	HSE6048542	1/4" RUBBER HOSE 42"	1
19	SCC0000201	5/16 X 3/4 NC HT CAP SCREW	14	43	HSE6048514	1/4" RUBBER HOSE 14"	1
20	GRL2060300	OIL CLR TOP GRL	1	44	TNK0020181	RADIATOR OVERFLOW TANK	1
21	NCH0003125	5/16" NC HEX NUT	26	45	MNT0016766	RADIATOR OVERFLOW TNK MNT	1
22	GRLO020604	RH CLR GRL SIDE	1	46	HOK0002126	RUBBER CARGO STRAP W/HOOKS	1
23	BKT0020599	OIL COOLER STOP BRACKET	1	47	CLP0000131	1/2"-38 VINYL CLAMP	2
24	GRL2060301	OIL CLR BTM GRL	1				

Filters, Hydraulic And Transmission



REF NO.	PART NO.	DESCRIPTION	QTY. USED	REF NO.	PART NO.	DESCRIPTION	QTY. USED
1	CLR0029711	OIL COOLER	1	19	HYD5425050	5/8 JIC X 1/2 NPT 90* LONG ELB	2
2	HYD3109064	3/4 X 1/2 STEEL PIPE BUSHING	4	20	HYD3459040	1/2 X 3/8 90* ST TH MALE ELBOW	1
3	PPE5000150	1/2 X1-1/2 STD BLK NIPPL	1	21	HYD0020707	AUTO TRANS TEMP SENDER MOUNT	1
4	PPE5000400	1/2 X 4 STD BLK PIPE NIPPL	1	22	THM00280EE	OIL TEMPERATURE SENDING UNIT	1
5	HYD0059888	1/2"X 90 DEG HYD SWIV FITTING	2	23	PPE0002000	2 XCLO STD BLK PIPE NIPPLE	1
6	HOS0022234	TRANS FILTER-COOLER HOSE	1	24	PPE0200900	2 90* STD BLK PIPE ELBOW	1
7	HOS0022235	TRANSMISSION TO COOLER HOSE	1	25	PPE2001500	2 X1-1/2 STD BLK HEX BUSH	1
8	HYD5205056	5/8 JIC X 3/4 NPT MALE CONN	2	26	HYD5205090	1-1/2JIC X 1-1/2NPT MALE CONN	2
9	SCC0000202	5/16 X 1 NC HT CAP SCREW	7	27	HOS0009779	1-1/2" X 39" HYD SUCTION HOSE	1
10	FIL0001316	TRANSMISSION FILTER	1	28	FIL0005924	DUAL HYD FILTER HEAD	1
11	FIL00PF897	SPIN-ON FILTER/ALLISON TRANS.	1	29	FIL0059240	FILTER ELEMENT F/FIL5924(DUAL)	2
12	SCCM108035	8M X 35M MC HEX HD CS-PLT-8.8	2	30	HYD5355121	1-1/2JIC X 1-1/2NPT 45* MAL EL	1
13	WLK0003125	5/16" LOCKWASHER	9	31	BKT0015711	HYD FIL MNT BKT ASSY	1
14	WCT0003125	5/16" FLATWASHER	2	32	WLK0003750	3/8" LOCKWASHER	4
15	WCT0003125	5/16" FLATWASHER	A/R	33	SCC0000303	3/8 X 1-1/4 NC HT CAP SCREW	4
16	NCH0003125	5/16" NC HEX NUT	7	34	HOS0020312	FIL TO PUMP SUCTION HOSE	1
17	BKT0017929	AUTO TRANS FILTER BRACKET	1	35	FLG00024SF	FLANGE 1-1/2" W/O-RING & BOLTS	1
18	HOS0018389	TRANS FILTER RETURN HOSE	1				

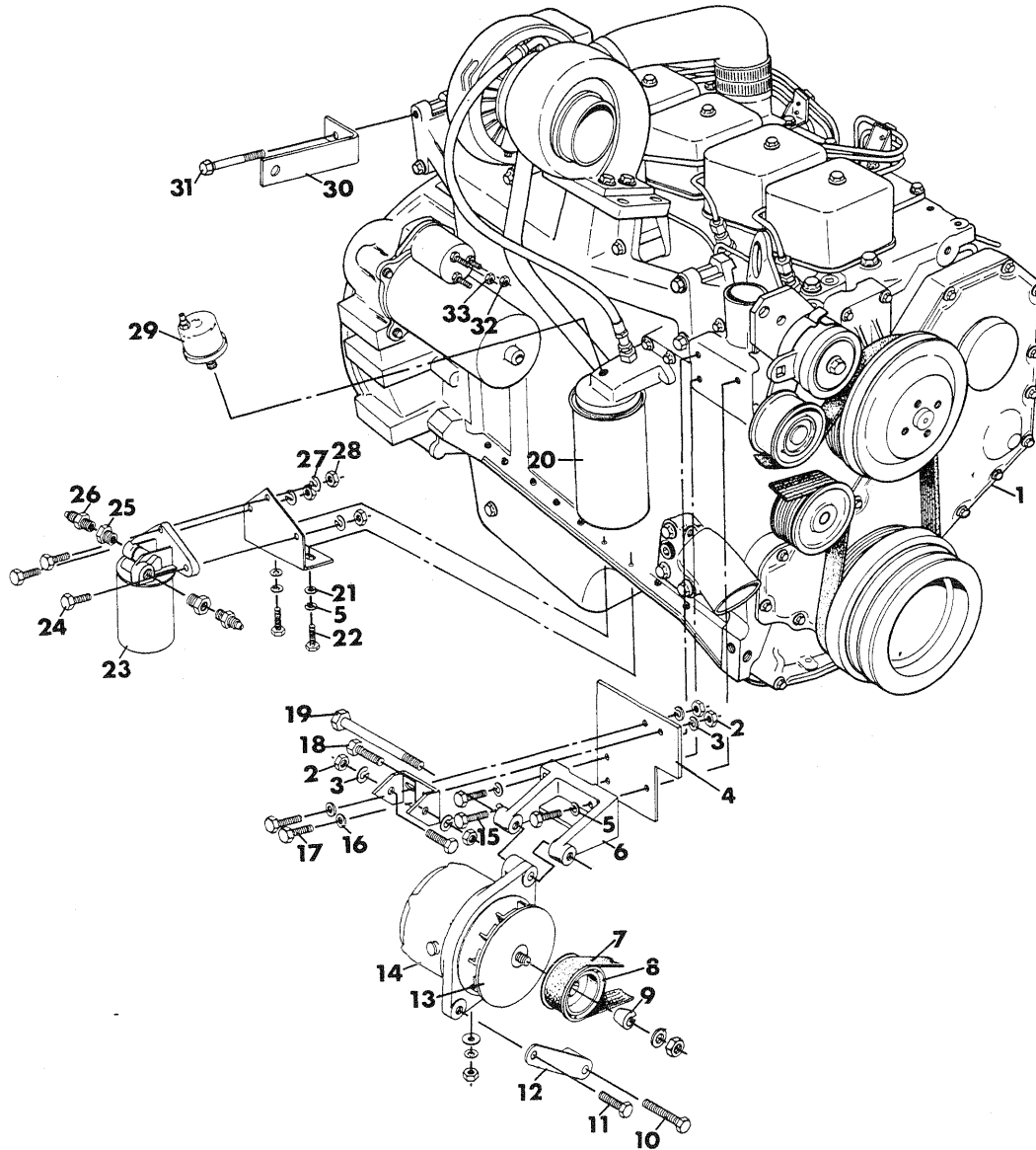


Engine, Left Side

Engine, Left Side

REF NO.	PART NO.	DESCRIPTION	QTY. USED
1	ENG0000659	6BT5.9 6 CYL CUM F/AUTO	1
2	CUM3911588	ALTERNATOR BELT, RIBBED	1
3	CUM3903817	FAN SPACER 1-1/2"	2
4	CUM3903820	FAN SPACER 1/4"	1
5	FAN3908079	FAN F/CUMMINS 6-CYLINDER	1
6	WLK0000313	5/16" LOCKWASHER - PLATED	6
7	SCCM008110	8M X 110M MC HEX HD CS-GR 8.8	4
8	NFE0000563	9/16" NF ESNA NUT - PLATED	4
9	20-112	MOTOR MOUNT	4
10	BSH0009502	ENG.MNT BSHNG	4
11	BKT0019452	REAR ENGINE SUPPORT BRACKET	4
12	20-109	MOTOR MOUNT	4
13	MNT1944901	RIGHT FR ENG MNT ASSY	1
14	SFC0000614	9/16 X 4 NF HT CAP SCREW	4
15	WCT0005625	9/16" FLATWASHER	4
16	SCCM012035	12M X 35M MC HEX HD CS-GR 8.8	16
17	WLKM000120	12 MM LOCKWASHER	20
18	MNT1944900	LEFT FR ENG MNT ASSY	1
19	HOS0018386	PUMP PRESSURE HOSE	1
20	SCCM012075	12M X 75M MC HEX HD CS-GR 8.8	2
21	PNP2010130	PUMP-V2010-IF-11S-3S-11-BB-10	1
22	CUM3008400	HYDRAULIC PUMP GASKET	1
23	HYD5315060	3/4JIC X 3/4 O-RNG ST THD CONN	1
24	SPC0019744	VACUUM PUMP MNT SPACER	1
25	BRC0019529	VACUUM PUMP BRACE	1
26	WLK0003750	3/8" LOCKWASHER	4
27	SCC0080314	3/8 X 4 NC GR 8 CAP SCREW	2
28	HOS0020532	CUMMINS FUEL PRESSURE HOS	1
29	HOS0020533	CUMMINS FUEL RETURN HOSE	1
30	SCCM212030	12M X 30M MC HEX HD CS-GR10.9	2
31	WCTM000120	12 MM FLATWASHER	10
32	HOS0020553	PWR STEERING PRESSURE HOS	1
33	HOS0022233	VACUUM PUMP LUBER HOSE	1
34	HYD0048020	1/4 X 1/8 BRASS MALE CONNECTOR	1
35	HYD5315054	5/8JIC X 1/2 O-RNG ST THD CONN	1
36	FLG00024SF	FLANGE 1-1/2" W/O-RING & BOLTS	1
37	HYD3350010	1/8 X 45* BRASS STREET ELBOW	1
38	HOS0020312	FIL TO PUMP SUCTION HOSE	1
39	HOS0500026	1/2" X 26" VACUUM HOSE	1
40	CLP7051181	3/8"-3/4" A/C HOSE CLAMP	1
41	FT 0000193	3/8" X 1/2" HOSE COUPLER	1
42	HYD3409030	3/8 X 90* STEEL STREET ELBOW	1
43	PLT0019621	OIL COVER PLATE-CUMMINS	1
44	GSK0196210	GASKET FOR OIL COVER PLATE	1
45	SCCM008035	8M X 35M MC HEX HD CS-GR 8.8	2
46	BKT0019037	THROTTLE RTRM SPRG BKT	1
47	SPG0000663	TENSION SPRING	1
48	SCC0000104	1/4 X 1-1/2 NC HT CAP SCREW	1
49	WCT0002500	1/4" FLATWASHER	2
50	NCH0000250	1/4" NC HEX NUT - PLATED	1
51	MNT0019619	THROT MODUL CLEVIS MNT	1
52	NCE0000250	1/4" NC ESNA NUT - PLATED	1
53	ZZ 0000708	1/4 X 3/4 ROLL PIN	1
54	BKT0019618	THROTTLE CABLE MODULATOR BKT	1
55	FIL3903202	FUEL FILTER	1
56	HYD0004854	5/16 X 1/4 NPT MALE FLARE CONN	1
56	SCCM010025	10M X 25M MC HEX HD CS-GR 8.8	2
57	MNT0020323	REAR ENG MNT ASSY	2
58	F 0006431	WATER TEMPERATURE SENDING UNIT	1
59	HYD3109064	3/4 X 1/2 STEEL PIPE BUSHING	1
60	HYD0300020	1/4 INVERTED FLAIR UNION	1
61	RNG0002010	O-RING	1
62	SPC0019744	VACUUM PUMP MNT SPACER	1
63	SCC0000303	3/8 X 1-1/4 NC HT CAP SCREW	2
64	WLKM000100	10 MM LOCKWASHER	3
66	SCCM010050	10M X 50M MC HEX HD CS-GR 8.8	1
67	MNT0019527	VACUUM PUMP MOUNT	1
68	WCT0003750	3/8" FLATWASHER	2
69	MNT0019342	VACUUM PUMP IDLER MNT	1
70	BKT0019490	EXHAUST ELBOW BKT	1
71	CUM3902460	METRIC WASHER HEAD SCREW	4
72	NCH0003750	3/8" NC HEX NUT	2

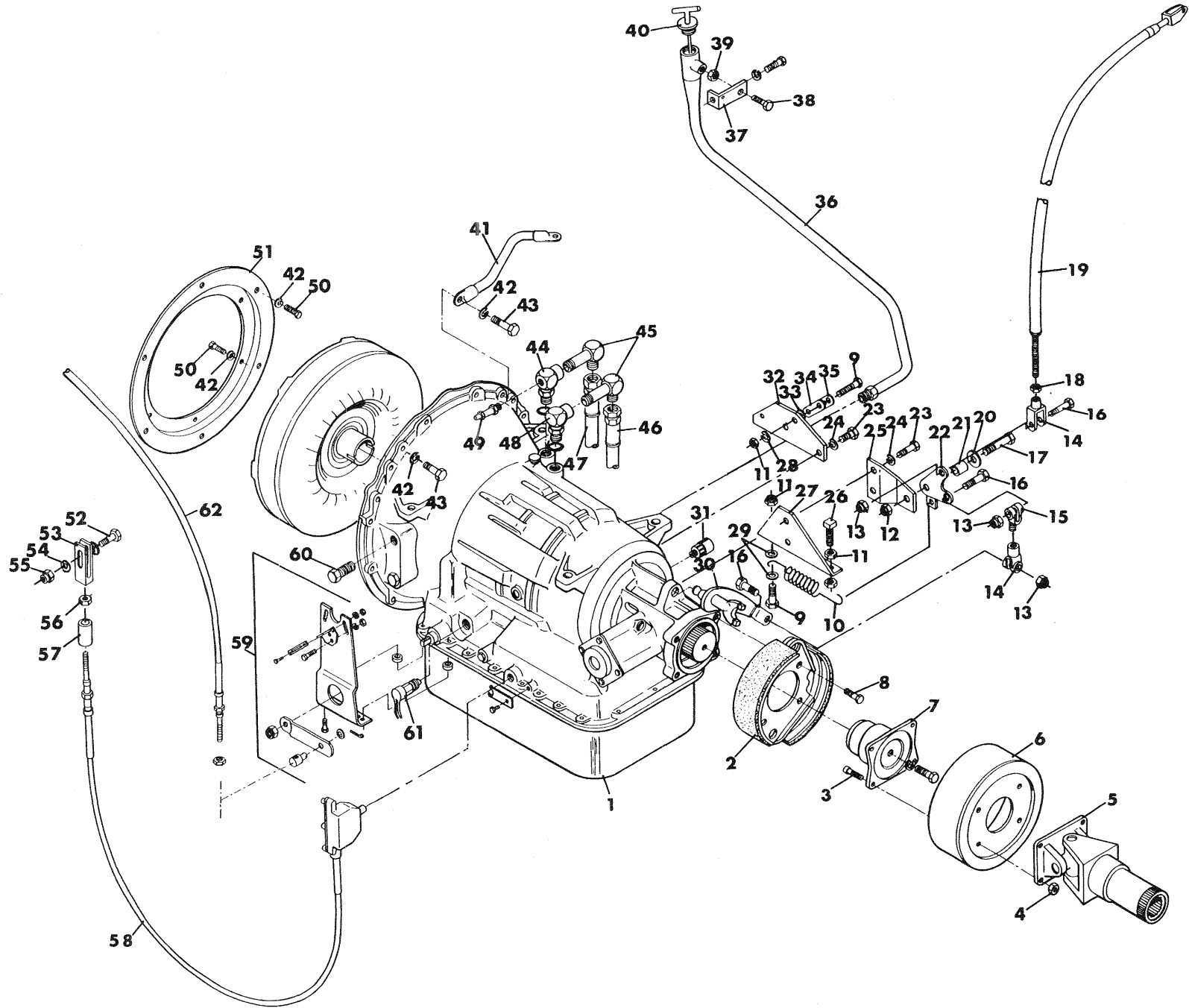
Engine, Right Side



Engine, Right Side

REF NO.	PART NO.	DESCRIPTION	QTY. USED
1	ENG0000659	6BT5.9 6 CYL CUM F/AUTO	1
2	NCH0003750	3/8" NC HEX NUT	4
3	WLK0003750	3/8" LOCKWASHER	4
4	PLT0019528	AIR COND MNT PLT	1
5	WLK0000313	5/16" LOCKWASHER - PLATED	5
6	CUM3903086	ALTERNATOR SUPPORT BRACKET	1
7	CUM3911588	ALTERNATOR BELT, RIBBED	1
8	CUM3908560	ALTERNATOR PULLEY	1
9	CUM3903333	ALTERNATOR PULLEY RETAINER	1
10	CUM3904222	ALTERNATOR BRACE SCREW	1
11	SCCM010025	10M X 25M MC HEX HD CS-GR 8.8	1
12	CUM3903922	ALTERNATOR BRACE	1
13	FAN0003101	FAN F/A1-160 ALTERNATOR	1
14	ALT0011610	ALTERNATOR 100AMP W/ROT SCREEN	1
15	SCCM008040	8M X 40M MC HEX HD CS-GR 8.8	3
16	WCT0003750	3/8" FLATWASHER	2
17	SCC0000303	3/8 X 1-1/4 NC HT CAP SCREW	2
18	SCC0000304	3/8 X 1-1/2 NC HT CAP SCREW	2
19	CUM3901455	ALTERNATOR MOUNT SCREW	1
20	FIL3903264	OIL FILTER	1
21	WCT0000313	5/16" FLATWASHER - PLATED	2
22	SCCM108035	8M X 35M MC HEX HD CS-PLT-8.8	2
23	FIL0001316	TRANSMISSION FILTER	1
24	SCC0000202	5/16 X 1 NC HT CAP SCREW	3
25	HYD3109064	3/4 X 1/2 STEEL PIPE BUSHING	2
26	HYD5205056	5/8 JIC X 3/4 NPT MALE CONN	2
27	WLK0000250	1/4" LOCKWASHER - PLATED	3
28	NCH0000250	1/4" NC HEX NUT - PLATED	3
29	03-132	SENDING UNIT-OIL PRESSURE	1
30	SUP0019525	ENG DIP STICK SUPT.	1
31	CUM3901448	EXHAUST MANIFOLD SCREW	1
32	NCHM005080	5MM X MC HEX NUT	1
33	NCHM010150	10MM X MC HEX NUT	1

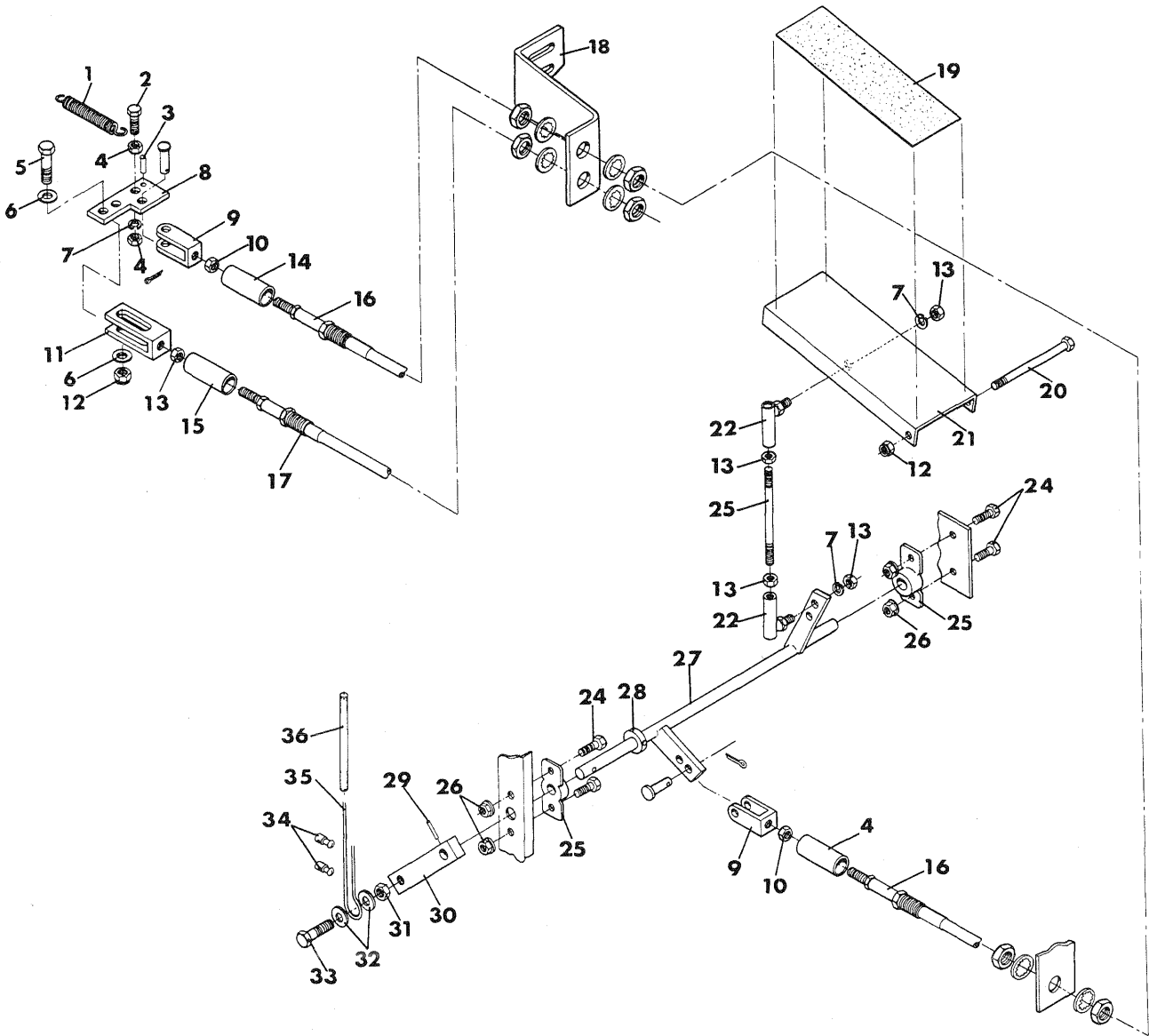
Transmission Assembly



Transmission Assembly

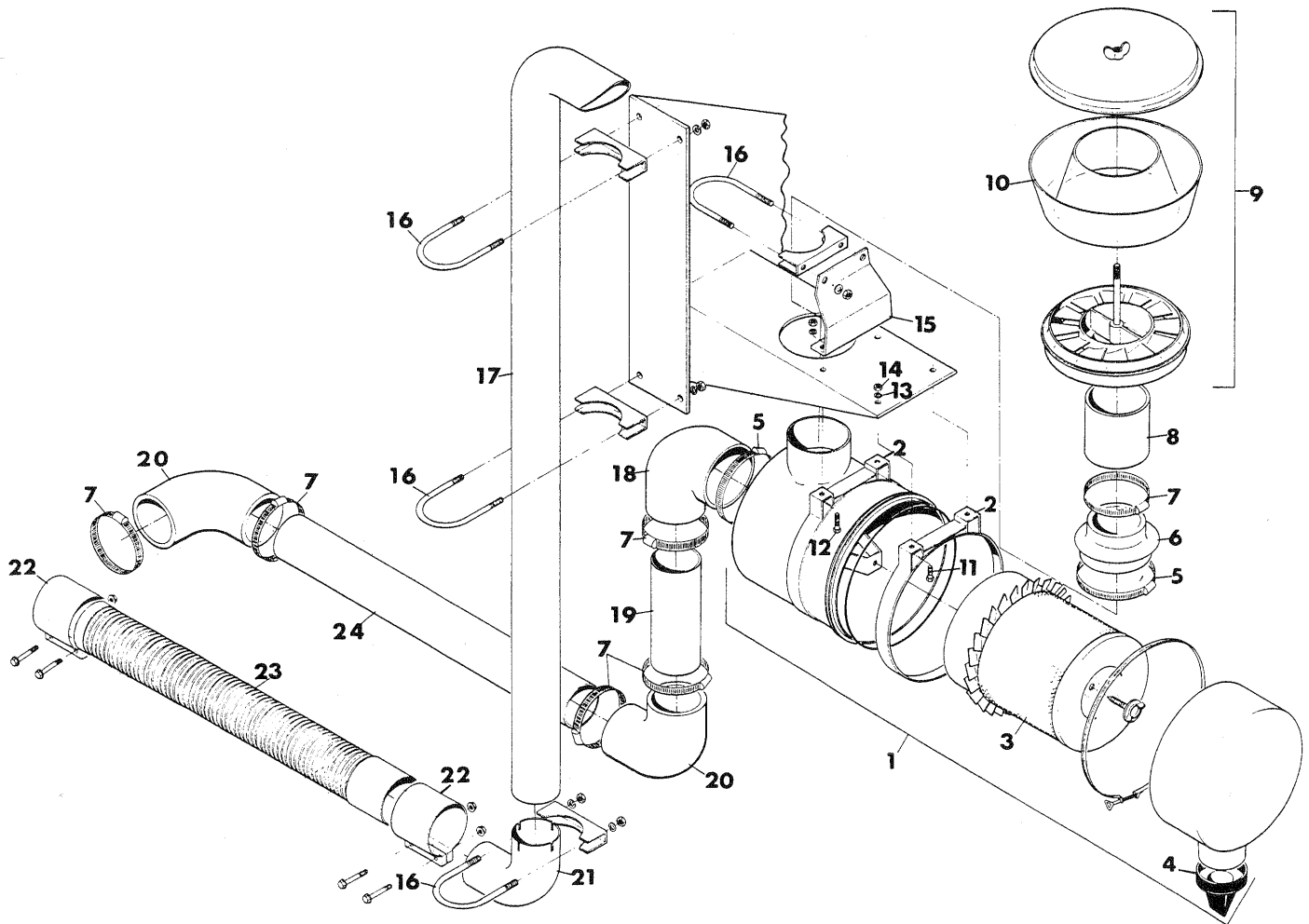
REF NO.	PART NO.	DESCRIPTION	QTY. USED
1	TRN0000545	ALLISON AUTOMATIC TRANSMISSION	1
2	BRK6769838	PARK BRK SHOE ASSY F/AUTO TRAN	1
3	B 0091924	FLANGE BOLT - 1/2" NF	4
4	19-310	NUT-AXLE SHAFT STUD	4
5	DRV0204240	DRIVE LINE YOKE ASSEMBLY	1
6	BRK6769837	PARKING BRK DRUM F/AUTO TRANS	1
7	SPRO414501	FLANGE YOKE	1
8	BRK0179882	PARKING BRK BOLT F/AUTO TRANS	4
9	SCC0000304	3/8 X 1-1/2 NC HT CAP SCREW	3
10	F C000747	SQUARE TRIP ROD RETURN SPRING	1
11	NCH0003750	3/8" NC HEX NUT	6
12	NCE0005000	1/2" NC ESNA NUT	1
13	NCE0000313	5/16" NC ESNA NUT - PLATED	3
14	CLV0027083	5/16"NF FEMALE CLEVIS-FINISHED	2
15	CLV0681664	5/16 NF MALE CLEVIS	1
16	SCC0000203	5/16 X 1-1/4 NC HT CAP SCREW	3
17	SCC0000508	1/2 X 2-1/2 NC HT CAP SCREW	1
18	NFH0000313	5/16" NF HEX NUT - PLATED	1
19	CBL5102167	BRAKE CABLE CS-551-036-156-036	1
20	WCT0005000	1/2" FLATWASHER	1
21	BSH0021154	PARKING BRAKE BELL CRNK BUSHNG	1
22	BRK0021149	PARK BRAKE CABLE BELL CRANK	1
23	SCC0000403	7/16 X 1-1/4 NC HT CAP SCREW	4
24	WLK0004375	7/16" LOCKWASHER	4
25	BKTO020556	PARK BRAKE BELL CRANK BKT	1
26	SQS3751500	3/8 X 1-1/2 SQUARE HD SCREW	1
27	BKTO020913	PARK BRAKE RETURN SPRING BKT	1
28	WLK0003750	3/8" LOCKWASHER	3
29	WCT0003750	3/8" FLATWASHER	2
30	BRK6769839	PARK BRK ACT SHAFT F/AUTO TRAN	1
31	SWIO693772	JACKUP ALARM SWITCH F/ALLISON	1
32	BKTO020515	PARK BRK CABLE CLAMP BKT	1
33	ZZ 0002016	3/8 SET COLLAR	2
34	19-168	LINK SPACER	1
35	19-169	CABLE CLAMP	1
36	DPT5130775	DIPSTICK TUBE-ALLISON TRANS	1
37	SUP0019525	ENG DIP STICK SUPT.	1
38	SFC0000503	1/2 X 1-1/4 NF HT CAP SCREW	1
39	FT 0000141	1/2" SET COLLAR	1
40	KIT8921987	DIPSTICK KIT F/ALLISON TRANS	1
41	03-201	2/0 X 13" GROUND CABLE	1
42	WLKM000100	10 MM LOCKWASHER	24
43	SCCM010035	10M X 35M MC HEX HD CS-GR 8.8	12
44	HYD0020707	AUTO TRANS TEMP SENDER MOUNT	1
45	HYD5425050	5/8 JIC X 1/2 NPT 90+ LONG ELB	2
46	HOS0018389	TRANS FILTER RETURN HOSE	1
47	HOS0020628	TRANSMISSION PRESSURE HSE	1
48	HYD3459044	1/2 X 1/2 90+ ST TH MALE ELBOW	1
49	THM0008959	OIL TEMPERATURE SENDING UNIT	1
50	SCCM010016	10M X 16M MC HEX HD CS-GR 8.8	12
51	CUM3906810	TRANSMISSION ADAPTER	1
52	SCC0000103	1/4 X 1-1/4 NC HT CAP SCREW	1
53	CLV0018910	AUTO TRANS MODULATOR CABLE END	1
54	WCT0000250	1/4" FLATWASHER - PLATED	2
55	NCE0000250	1/4" NC ESNA NUT - PLATED	1
56	NFH0000250	1/4" NF HEX NUT - PLATED	1
57	SEL1600719	UMBRELLA SEAL F/MODULATOR CBL	1
58	SMT3004426	MECH SHIFT MODULATOR W/60" CBL	1
59	KIT0000304	CONNECTOR KIT (REPLACES T-201)	1
60	SCC0000702	5/8 X 1 NC HT CAP SCREW	4
61	SWI2301922	NEUTRAL SAFETY SWI-GM23011922	1
62	CBL1843120	AUTO TRANS SHIFT CABLE ASSY	1

Throttle Linkage



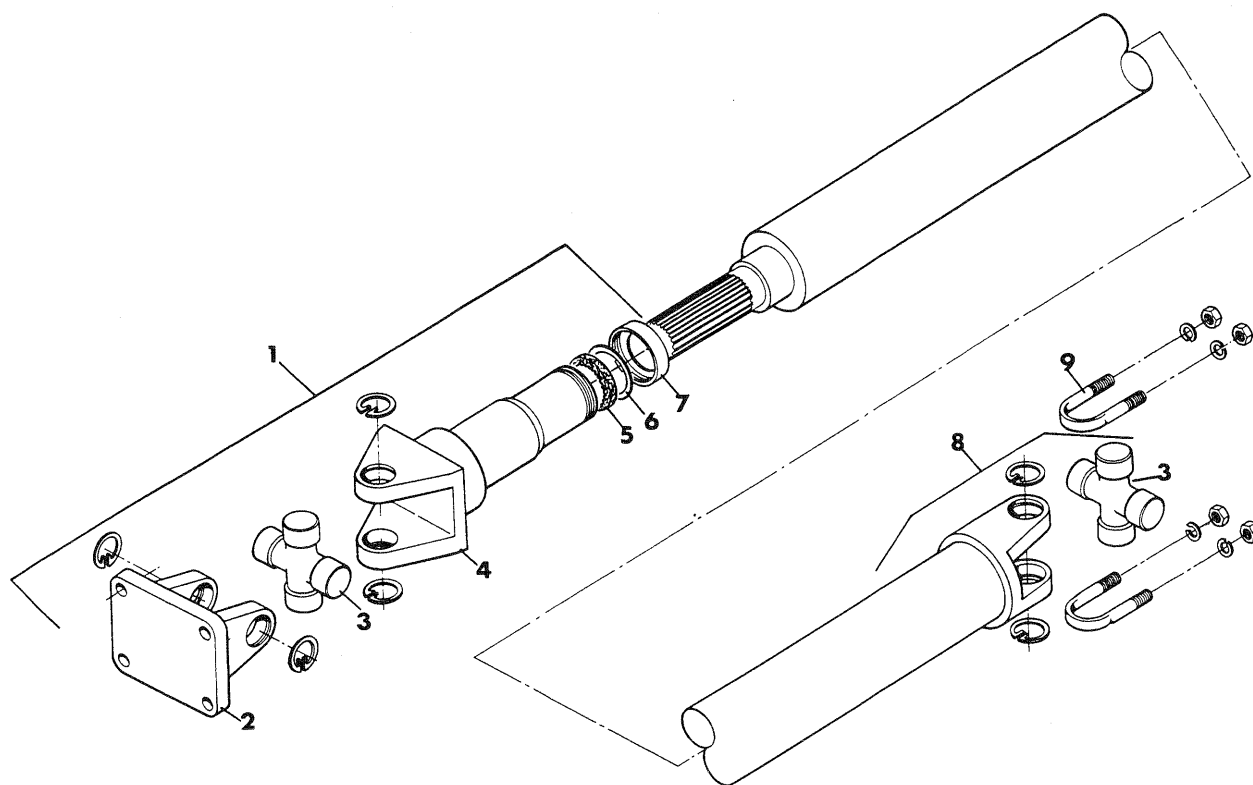
REF NO.	PART NO.	DESCRIPTION	QTY. USED	REF NO.	PART NO.	DESCRIPTION	QTY. USED
1	SP60000663	TENSION SPRING	1	19	STP0002000	STEP COVER-SAFETY WALK 2"	1
2	SCC0000104	1/4 X 1-1/2 NC HT CAP SCREW	1	20	SCC0000112	1/4 X 3-1/2 NC HT CAP SCREW	1
3	ZZ 0000708	1/4 X 3/4 ROLL PIN	1	21	PED0022858	THROTTLE PEDAL	1
4	NCH0002500	1/4" NC HEX NUT	2	22	F 0005207	1/4"-28 STD BALL JOINT	1
5	SCC0000103	1/4 X 1-1/4 NC HT CAP SCREW	1	23	ROD0018088	FOOT THROTTLE PUSH ROD	1
6	WCT0000250	1/4" FLATWASHER - PLATED	2	24	SCC0000101	1/4 X 3/4 NC HT CAP SCREW	4
7	WLK0002500	1/4" LOCKWASHER	3	25	BRG0000006	3/8" TRIANGLE BEARING	2
8	MNT0019619	THROT MODUL CLEVIS MNT-CUMMINS	1	26	NCG0002500	1/4" NC GRIPCO NUT	4
9	CLV0007722	1/4 CLEVIS GRAB HOOK HEAT TRTD	2	27	SHF0020457	THROTTLE SHAFT ASSY	1
10	NFH0001032	10-32 NF HEX NUT - PLATED	2	28	ZZ 0002016	3/8 SET COLLAR	1
11	CLV0018910	AUTO TRANS MODULATOR CABLE END	1	29	ZZ 0000710	1/8 X 3/4 ROLL PIN	1
12	NCE0000250	1/4" NC ESNA NUT - PLATED	1	30	LEV0020455	HAND THROTTLE BELL CRANK LEVER	1
13	NFH0002500	1/4" NF HEX NUT	5	31	NCH0000313	5/16 NC HEX NUT - PLATED	1
14	SEL0016071	UMBRELLA SEAL F/THROTTLE CABLE	2	32	WCT0000313	5/16" FLATWASHER - PLATED	2
15	SEL1600719	UMBRELLA SEAL F/MODULATOR CBL	1	33	SCC0000202	5/16 X 1 NC HT CAP SCREW	1
16	CBL1842112	THROTTLE CABLE-184-VTT-2-112	1	34	F 0005861	THROTTLE CABLE CLAMP	1
17	SHT3004426	MECH SHIFT MODULATOR W/60" CBL	1	35	CBLO000111	1/8" GALV AIRCRAFT CABLE	1
18	BKT0019618	THROTTLE CABLE MODULATOR BKT	1	36	TUB0025095	1/4 X 9-1/2 TUBE	1

Air Cleaner And Exhaust



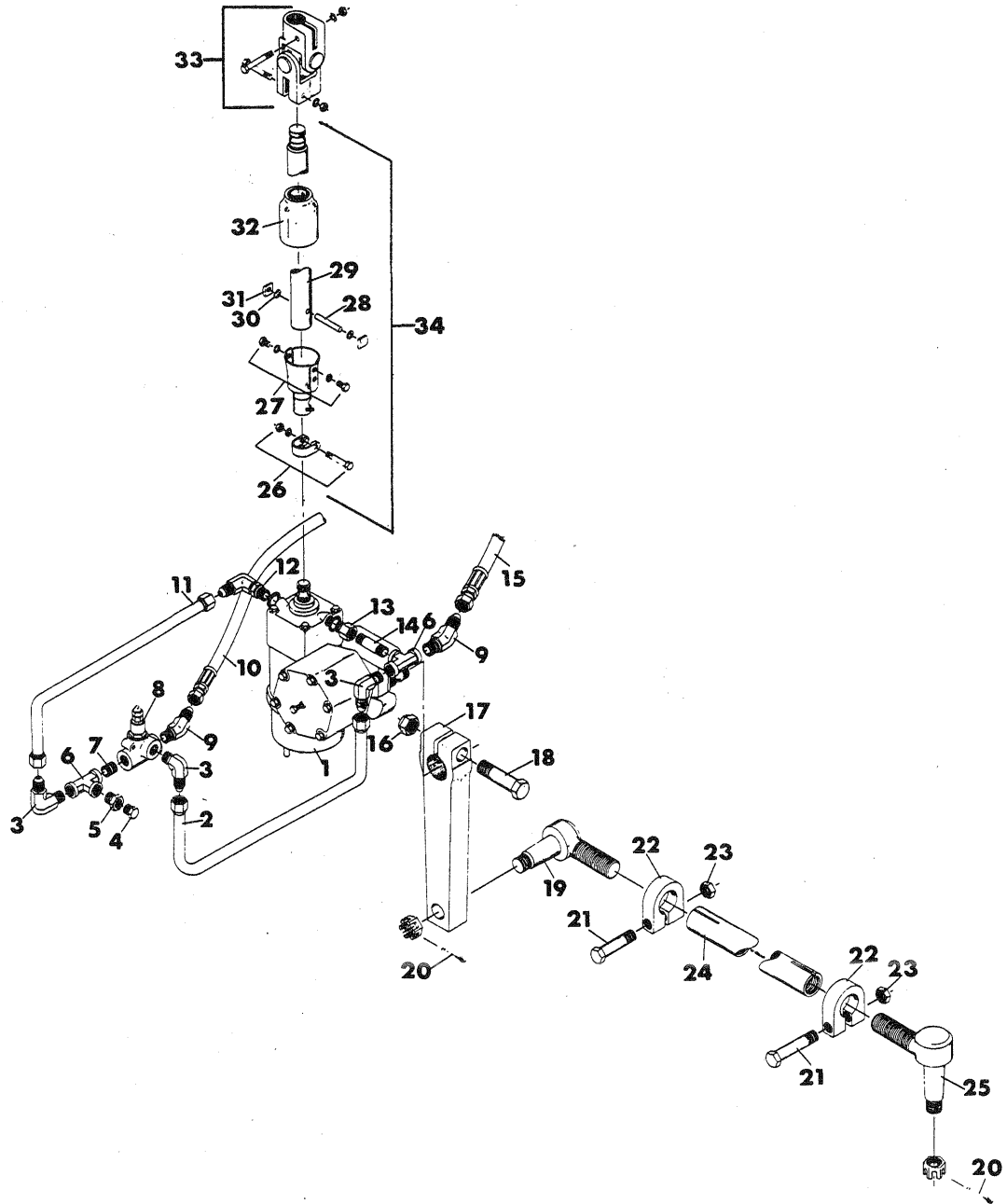
REF NO.	PART NO.	DESCRIPTION	QTY. USED
1	ACL0100004	AIR CLEANER 10"	1
2	ACL0004076	AIR CLEANER BAND - 10"	2
3	ACL0181045	ELEMENT-10" FOR ACL0100004	1
4	20-128	EVACUATOR VALVE F/AIR CLEANER	1
5	CLP7051147	SIZE 72 HOSE CLAMP	2
6	ACL0004030	AIR CLEANER REDUCER 4" X 3"	1
7	F 0006793	AIR CLEANER WORM CLAMP-3"	6
8	ACL4901011	3" OD X 11" EXHAUST PIPE	1
9	20-132	PRE-CLEANER	1
10	ACL0016330	BOWL F/F20-132 PRE CLEANER	1
11	SCC0000301	3/8 X 3/4 NC HT CAP SCREW	2
12	SCC0000302	3/8 X 1 NC HT CAP SCREW	2
13	WLK0003750	3/8" LOCKWASHER	4
14	NCH0003750	3/8" NC HEX NUT	4
15	BKT0018176	PRE CLEANER MOUNT BRACKET	1
16	CLP0035772	CLAMP-HEAVY DUTY MUFFLER	4
17	EXH4901050	3" X 50" EXHAUST PIPE	1
18	ELB0904030	4 X 3 X 90° RUBBER ELB	1
19	ACL4901135	3" X 13-1/2" AIR CLEANER PIPE	1
20	F 0006795	RUBBER ELBOW - 3" X 90 DEGREE	2
21	EXH0041003	3" X 90° X 6" RADIUS EXH ELBOW	1
22	CLP0035978	3" EXHAUST STRAP SEAL CLAMP	2
23	EXH4008185	3" X 18-1/2" FLEX EXHAUST TUBE	1
24	ACL4901019	3" X 19" AIR CLEANER PIPE	1

Drive Line Assembly



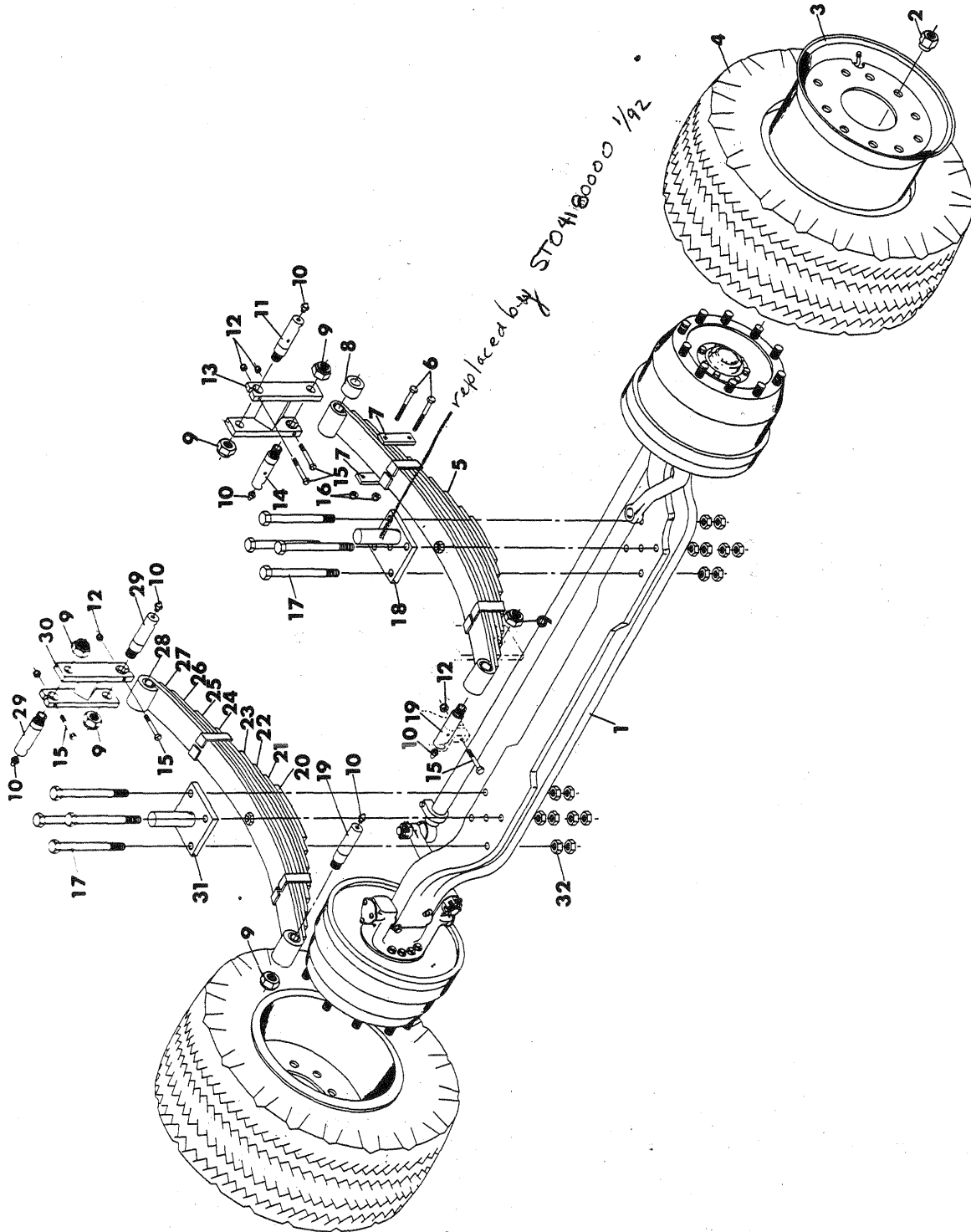
REF NO.	PART NO.	DESCRIPTION	QTY. USED
1	DRV0204240	DRIVE LINE YOKE ASSEMBLY	1
2	19-209	FLANGE YOKE	1
3	19-124	JOURNAL & BEARING KIT	2
4	19-123	SLIP SLEEVE YOKE	1
5	19-122	CORK WASHER	1
6	19-121	STEEL WASHER	1
7	19-120	DUST CAP	1
8	DRV0020424	REAR DRIVELINE ASSEMBLY	1
9	19-125	"U" BOLT	2

Steering Assembly



REF NO.	PART NO.	DESCRIPTION	QTY. USED	REF NO.	PART NO.	DESCRIPTION	QTY. USED
1	GER0022108	STEERING GEAR ASSEMBLY	1	18	SCC0000814	3/4 X 4 NC HT CAP SCREW	1
2	TBE0020560	STEERING RELIEF VLV DRAIN TUBE	1	19	17-232	L. H. TIE ROD END	1
3	HYD5405044	1/2 JIC X 1/2 NPT 90* MALE ELB	3	20	COT0000804	3/16 X 1-3/4 COTTER PIN	2
4	MYD3159020	1/4 HEX HEAD STEEL PIPE PLUG	1	21	SCC0000510	1/2 X 3 NC HT CAP SCREW	2
5	MYD3109042	1/2 X 1/4 STEEL PIPE BUSHING	1	22	06-147	TIE ROD CLAMP	2
6	HYD3709040	1/2 STEEL FEMALE PIPE TEE	1	23	NCE0000500	1/2" NC ESNA NUT - PLATED	2
7	01-720	1/2 X CLOSE EX HVY BLK NIPPLE	1	24	LNK0021200	DRAG LINK	1
8	01-514	RELIEF VALVE 1500 PSI	1	25	17-231	R. H. TIE ROD END	1
9	HYD5355050	5/8 JIC X 1/2 NPT 45* MALE ELB	2	26	17-208	STEERING SHAFT CLAMP ASSY	1
10	HOS0020553	POWER STEERING PRESSURE HOSE	1	27	TRW4037951	13/16" SPLINE COUPLER (SHELL)	1
11	TBE0020559	STEERING PRESSURE RELIEF TUBE	1	28	17-206	STEERING COLUMN PIN	1
12	HYD5515040	1/2 JIC X 1/2 O-RING 90* ELBOW	1	29	SHF0022103	STEERING SHAFT	1
13	HYD3269044	1/2 O-RING X 1/2 NPT FEM ADAPT	1	30	17-215	STEER SHF WASH-9/64 X 3/8	2
14	PP5003001	1/2 X 3 XM BLK PIPE NIPPL	1	31	17-214	STEERING SHAFT PIN BUTTON	2
15	HOS0020554	POWER STEERING RETURN HOSE	1	32	17-213	STEERING SHAFT BOOT SEAL	1
16	NCE0007500	3/4" NC ESNA NUT	1	33	TRW4037991	7/8 X 3/4 UNIVERSAL JOINT ASSY	1
17	ARM8421002	STEERING ARM	1	34	SHF0221030	STEERING SHAFT ASSEMBLY	1

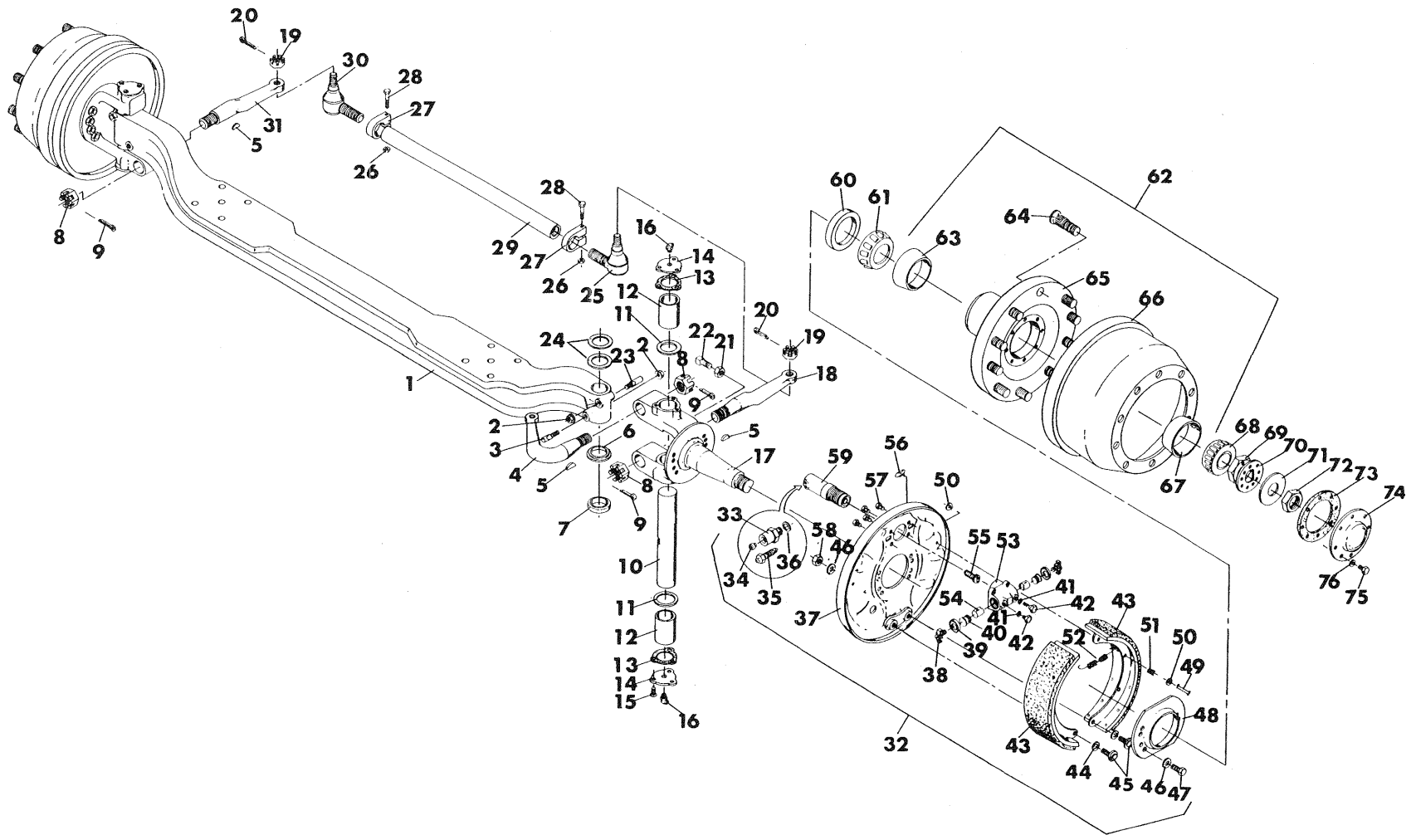
Front Axle And Springs



Front Axle And Springs

REF NO.	PART NO.	DESCRIPTION	QTY. USED
1	AXL0021164	FRONT AXLE	1
2	19-107	L. H. LUG NUT F/FRONT AXLE	10
2	19-195	R. H. LUG NUT F/FRONT AXLE	10
3	WHL0021158	WHEEL FOR 15X19.5 FRONT TIRE	2
4	TIR1519512	15 X 19.5 12-PLY FRONT TIRE	2
5	SP60020383	9 LEAF FRONT SPRING	2
6	SCC0030015	3/8 X 4-1/2 NC HT CS - PLATED	A/R
7	PLT0019878	SPRING LEAF CLAMP PLATE	A/R
8	SPC0007333	SPRING SHACKLE SPACER	1
9	NFED000875	7/8" NF ESNA NUT - PLATED	6
10	ZZ 0000104	1/8 NPT 90* 7/16 HEX ZERK	6
11	RSF0007311	SPRING SHACKLE PIN	1
12	NCE0000313	5/16" NC ESNA NUT - PLATED	6
13	SHK0020731	L.H. FRONT SPRING SHACKLE ASSY	1
14	RSF0007312	SPRING SHACKLE PIN	1
15	SCC0000208	5/16 X 2-1/2 NC HT CAP SCREW	6
16	NCE0000375	3/8" NC ESNA NUT - PLATED	A/R
17	SFC0000821	3/4 X 7-1/2 NF HT CAP SCREW	8
18	PLT2072900	L.H. FRONT SPRING PLATE ASSY	1
19	RSF0007313	SPRING SHACKLE PIN	2
20	SP62038309	9TH LEAF FOR SP60020383	A/R
21	SP62038308	8TH LEAF FOR SP60020383	A/R
22	SP62038307	7TH LEAF FOR SP60020383	A/R
23	SP62038306	6TH LEAF FOR SP60020383	A/R
24	SP62038305	5TH LEAF FOR SP60020383	A/R
25	SP62038304	4TH LEAF FOR SP60020383	A/R
26	SP62038303	3RD LEAF FOR SP60020383	A/R
27	SP62038302	2ND LEAF FOR SP60020383	A/R
28	SP62038301	MAIN LEAF FOR SP60020383	A/R
29	PIN0015216	SPRING SHACKLE PIN	1
30	SHK0020732	R.H. FRONT SPRING SHACKLE ASSY	1
31	PLT2072901	R.H. FRONT SPRING PLATE ASSY	1
32	NFH0007500	3/4" NF HEX NUT	16

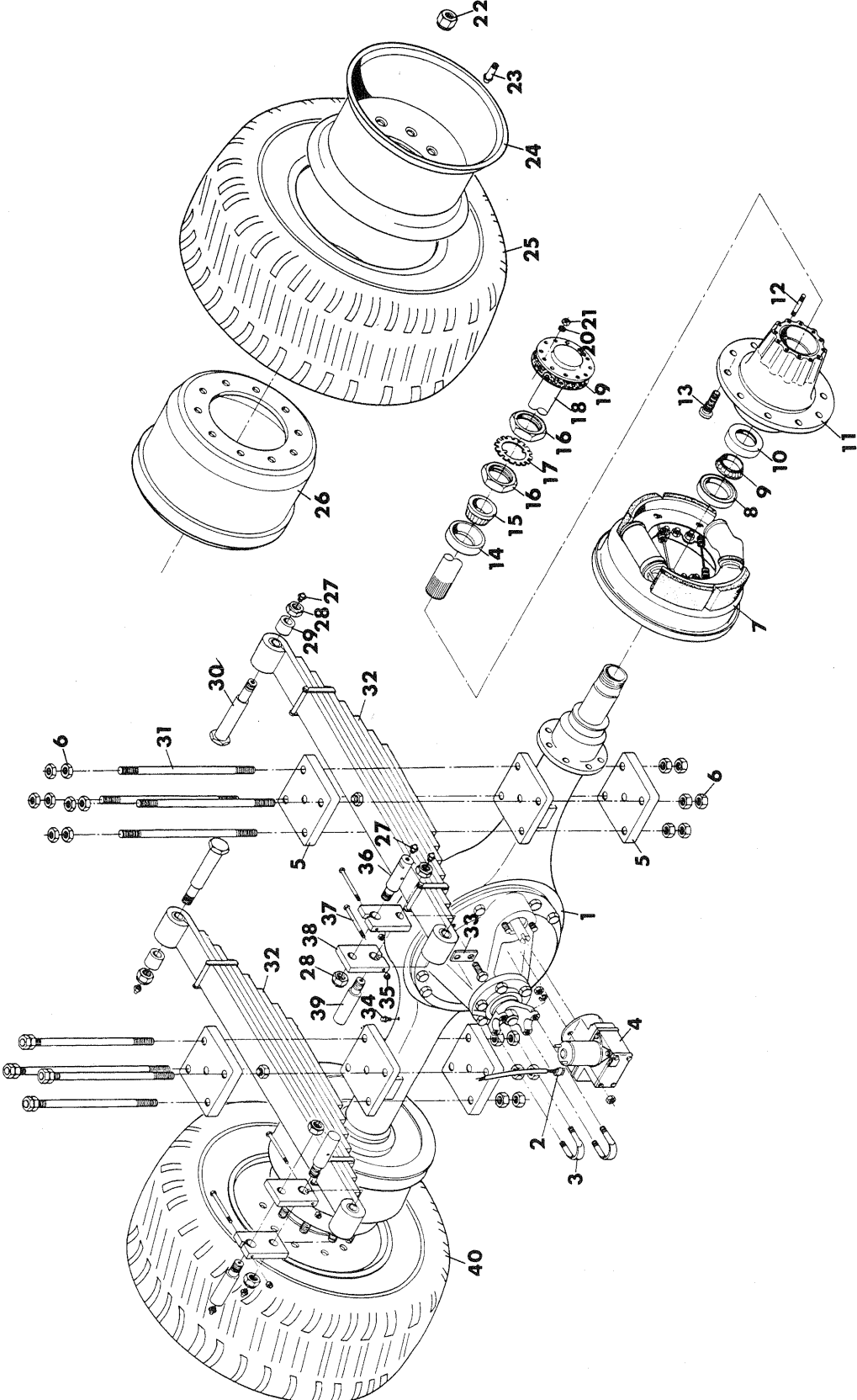
Front Axle, Breakdown



Front Axle, Breakdown

REF NO.	PART NO.	DESCRIPTION	QTY. USED
1	AXL0021164	FRONT AXLE	1
2	ROC1227780	DRAW KEY NUT	4
3	ROC0007111	DRAW KEY LOWER	2
4	ROC3133569	STEERING ARM	1
5	ROCO016202	KEY	3
6	SEL1205143	THRUST BEARING SEAL ASSEMBLY	2
7	BRG0000182	THRUST BEARING	2
8	19-339	NUT	3
9	ROC0002616	COTTER PIN	3
10	PIN3101179	KNUCKLE PIN	2
11	SEL1205142	OIL SEAL	4
12	ROC1225985	BRONZE BUSHING	4
13	ROC3208127	KING PIN CAP GASKET	4
14	ROC2297475	KING PIN CAP	4
15	ROC0002581	KING PIN CAP, SCREW	12
16	ZZ 0000101	1/4-28 90° 3/8 HEX ZERK	4
17	ROC3112864	STEERING KNUCKLE W/BUSHING R.H.	1
17	ROC3112968	STEERING KNUCKLE W/BUSHING L.H.	1
18	ROC3133999	CROSS TUBE ARM L.H.	1
19	NFC0007500	3/4" NF CASTLE NUT	2
20	COTC000705	5/32 X 2 COTTER PIN	2
21	NFH0000500	1/2" NF HEX NUT - PLATED	2
22	ROC2610003	STOP SCREW	2
23	ROC0007112	DRAW KEY UPPER	2
24	ROC2203301	SHIM, STEERING KNUCKLE	4
25	19-346	CROSS TUBE ROD W/NUT	1
26	NCE0000625	5/8" NC ESNA NUT - PLATED	2
27	06-147	TIE ROD CLAMP	2
28	SCC0070010	5/8 X 3 NC HT CS - PLATED	2
29	19-343	CROSS TUBE ONLY	1
30	19-341	CROSS TUBE ROD W/NUT	1
31	ARM3133998	CROSS TUBE ARM R.H.	1
32	BRK1540213	COMPLETE BRAKE ASSEMBLY L.H.	1
32	BRK1540214	COMPLETE BRAKE ASSEMBLY R.H.	1
33	NMS1779154	ADAPTER FITTING	2
34	BRK1779156	BRAKE-TUBE SEAT	2
35	ROC1779155	BLEEDER SCREW	2
36	ROC0027082	SWIVEL GASKET	2
37	ROC3236193	BACKING PLATE L.H.	1
37	ROC3236196	BACKING PLATE R.H.	1
38	ROC2297288	ADJUSTING BOLT ASSEMBLY	4
39	19-372	SEAL ASSEMBLY	4
40	ROC2297287	ADJUSTING ACTUATOR	4
41	19-378	GASKET	4
42	ROC2297567	ADJUSTING PAWL ASSEMBLY	4
43	BRK3222108	BRAKE SHOE	4
44	ROC1229116	SNAP RING, ANCHOR PIN	4
45	ROCO001121	NUT, ANCHOR PIN	4
45	ROC1229155	FLAT WASHER, ANCHOR PIN	4
45	ROC1259262	ANCHOR PIN, BRAKE SHOE	4
46	WAS0000105	5/8 STRUCTURAL WASHER	28
47	SCC0080706	5/8 X 2 NC GRD 8 CAP SCREW	14
48	BRG3286348	OIL SLINGER	2
49	ROC1779147	ROD, ANTI RATTLE	4
50	19-368	SPRING RETAINER	8
51	ROC2858T46	SPRING, ANTI RATTLE	4
52	ROC2258579	RETURN SPRING	2
53	ROC3299454	ACTUATOR HOUSING	2
54	ROC2297286	ADJUSTING PLUNGER	4
55	BRK2747114	WEDGE ASSY	2
56	19-367	ADJUSTING SLOT COVER	4
57	ROCO000255	MOUNTING BOLT, ACTUATOR HOUSING	8
58	NCX0080625	5/8 NC GRD 8 FLEXLOCK NUT	14
59	ROC3761357	WHEEL CYLINDER ASSEMBLY	2
60	SEL1205133	OIL SEAL A1205L1338	2
61	19-392	INNER WHEEL CONE BEARING	2
62	ROC1733323	HUB & DRUM ASSEMBLY L.H.	1
62	ROC1833323	HUB & DRUM ASSEMBLY R.H.	1
63	19-393	INNER WHEEL BEARING CUP	2
64	ROC0201477	WHEEL STUD L.H.	10
64	ROC0201478	WHEEL STUD R.H.	10
65	ROC0133323	WHEEL HUB & CUP ASSEMBLY L.H.	1
65	ROC0233323	WHEEL HUB & CUP ASSEMBLY R.H.	1
66	BRK3219392	BRAKE DRUM	2
67	19-404	OUTER WHEEL CUP BEARING	2
68	19-403	OUTER WHEEL CONE BEARING	2
69	19-402	ADJUSTING NUT	2
70	19-401	PIERCED LOCK WASHER	2
71	19-400	LOCK WASHER	2
72	ROC1227133	NUT, WHEEL BEARING	2
73	ROC2208819	GASKET, HUB CAP	2
74	19-397	HUB CAP	2
75	ROCO000256	CAP SCREW, HUB CAP	12
76	ROC1229166	LOCK WASHER, HUB CAP	12

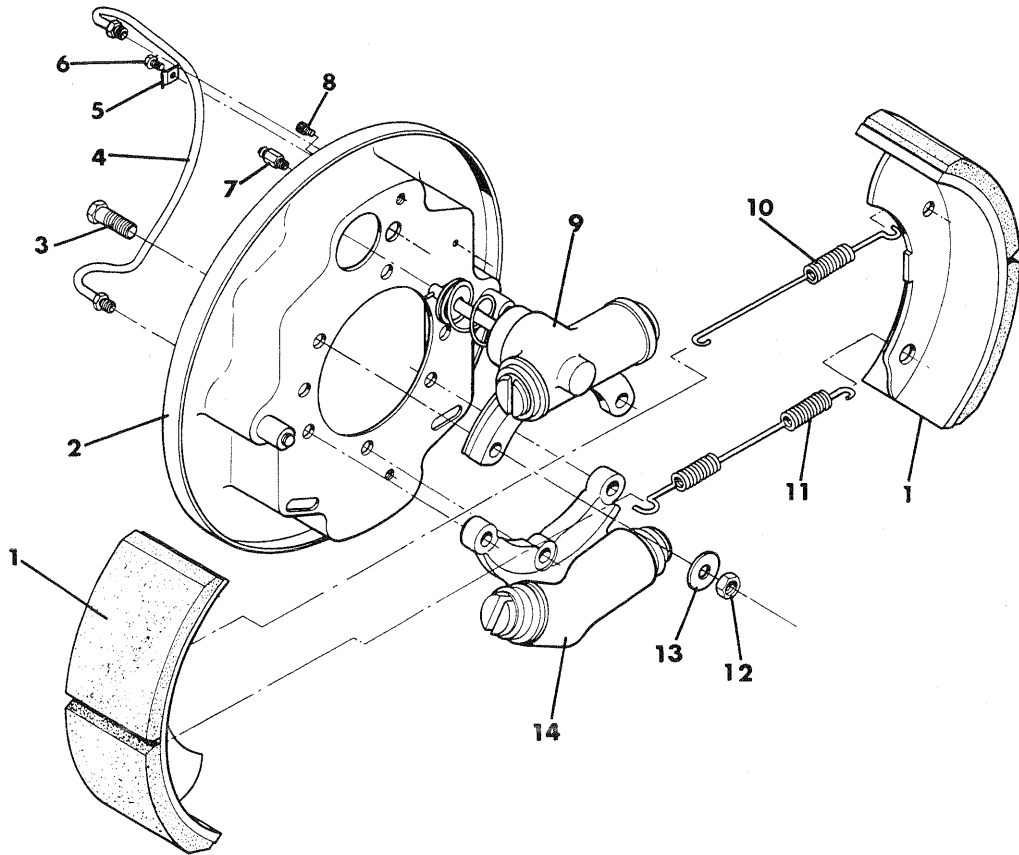
Rear Axle And Springs



Rear Axle And Springs

REF NO.	PART NO.	DESCRIPTION	QTY. USED
1	AXL0021958	REAR AXLE	1
2	CNR0113753	WIRING HARNESS F/113760	1
3	19-125	"U" BOLT	2
4	19-115	TWO-SPEED SHIFT ASSEMBLY	1
5	PLT0018295	REAR SPRING TOP MNT PLATE	4
6	NFJ0007500	3/4" NF JAM NUT	32
7	BRK0119958	L.H. BRAKE ASSEMBLY	1
7	BRK0119959	R.H. BRAKE ASSEMBLY	1
8	ETN0095357	OIL SEAL INNER WHEEL BRG	1
9	ETN0035278	INNER BEARING CONE	1
10	BRG0000493	BEARING CUP	1
11	HUB0105042	AXLE HUB	1
12	ETN0099349	AXLE STUD	12
13	ETN0105923	R.H. WHEEL STUD	10
13	ETN0105924	L.H. WHEEL STUD	10
14	F 0004530	BEARING CUP	1
15	ETN0030689	BEARING CONE	1
16	ETN0019186	HUB BEARING NUT	2
17	ETN0103189	BEARING ADJUSTER LOCKWASHER	1
18	ETN0113645	AXLE SHAFT - 36 SPLINE	1
19	ETN0014569	AXLE SHAFT GASKET	1
20	ETN0031725	TAPERED DOWEL	12
21	19-310	NUT-AXLE SHAFT STUD	12
22	ETN0037888	R. H. WHEEL NUT	10
22	ETN0037889	L. H. WHEEL NUT	10
23	19-109	VALVE STEM	1
24	WHL0030872	WHEEL-FIRESTONE F/40-19X195TIR	1
25	TIR4019195	TIRE 40X19X19.5 14-PLY	1
26	BRK0104714	BRAKE DRUM	1
27	ZZ 0000103	1/8 NPT STR 7/16 HEX ZERK	6
28	NFE0000875	7/8" NF ESNA NUT - PLATED	6
29	SPC0018115	REAR SPRING FRONT SPACER	2
30	PIN0018736	REAR SPRING ANCHOR PIN	2
31	ROD0013856	REAR SPG AXLE MNT ROD	8
32	19-211	REAR SPRING-8 LEAF	2
33	19-159	REAR BRAKE LINE SUPPORT	1
34	F 0001720	1/8 PT VENT	1
35	NCE0000313	5/16" NC ESNA NUT - PLATED	4
36	PIN0015216	RT REAR SHACK PIN-FR AXLE	2
37	SCC0000212	5/16 X 3-1/2 NC HT CAP SCREW	4
38	SHK0018735	REAR SPRING SHACKLE	4
39	PIN0018738	REAR SPRING SHACKLE PIN	2
40	WHL0040195	WHEEL & TIRE ASB 40X19X19.5	2

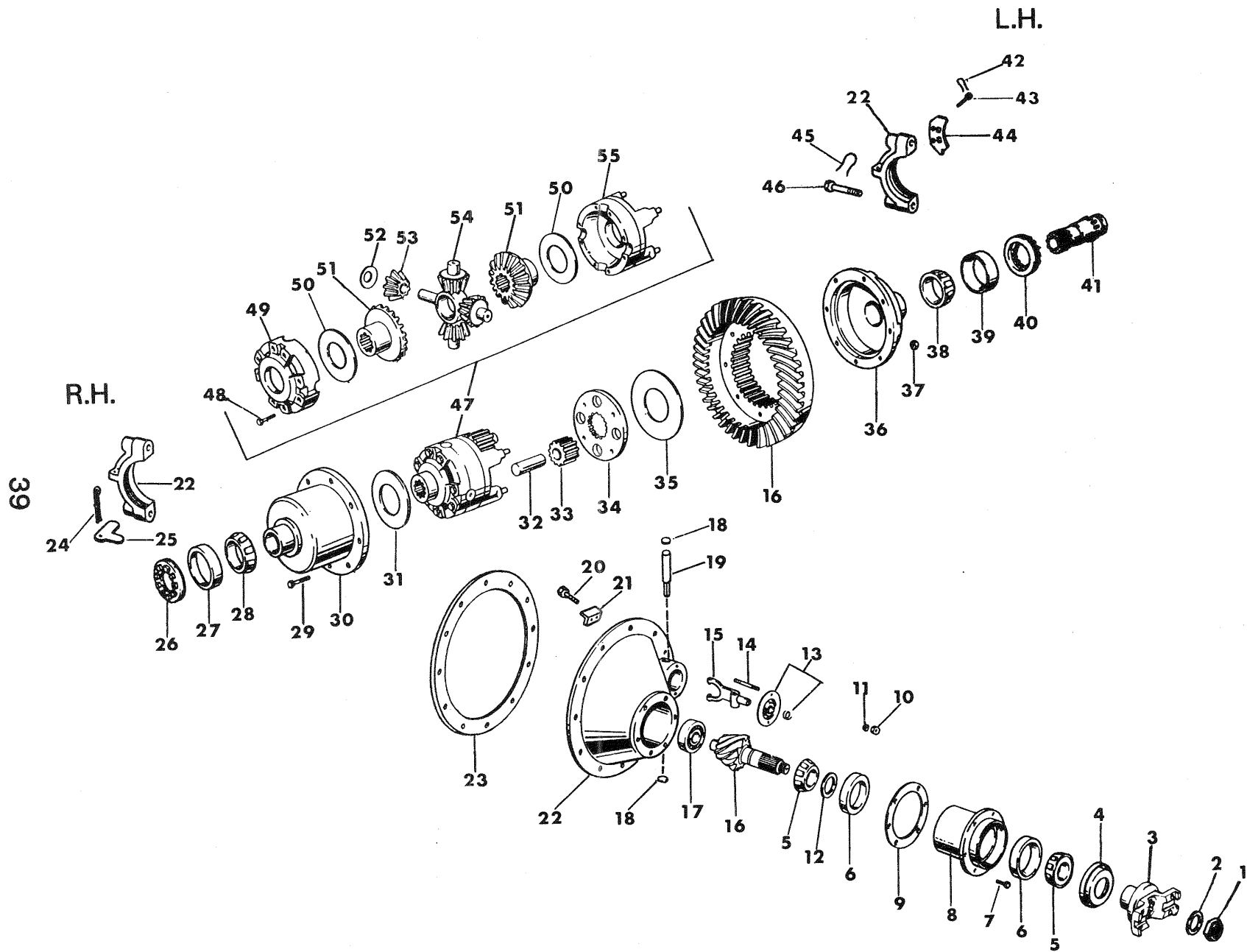
Rear Brakes



Rear Brakes

REF NO.	PART NO.	DESCRIPTION	QTY. USED
1	BRK6809374	LINED BRAKE SHOE	2
2	BRK6802337	DIRT SHIELD L.H.	1
2	BRK6802338	DIRT SHIELD R.H.	1
3	SFC0080503	1/2 X 1-1/4 NF GR 8 CAP SCREW	8
4	BRK6847121	BRIDGE PIPE ASSEMBLY L.H.	1
4	BRK6847122	BRIDGE PIPE ASSEMBLY R.H.	1
5	BRK6422725	BRIDGE PIPE CLIP	1
6	BRK6415111	BRIDGE PIPE SCREW	1
7	BRK6866515	BLEED SCREW	1
8	BRK6811007	FIXING BOLT	2
9	BRK6891900	EXPANDER UNIT LH F/EATON AXLE	1
9	BRK6891901	EXPANDER UNIT RH F/EATON AXLE	1
9	KIT0007863	SERVICE KIT F/LUCAS EXPANDER	1
10	BRK6837521	SHOE RETURN SPRING R.H. & L.H.	1
11	BRK6837519	SHOE RETURN SPRING L.H.	1
11	BRK6837520	SHOE RETURN SPRING R.H.	1
12	NFX0005000	1/2 NF FLEX-LOCK NUT	8
13	WCT0005000	1/2" FLATWASHER	8
14	BRK6891914	WHEEL CYLINDER UNIT L.H.	1
14	BRK6891915	WHEEL CYLINDER UNIT R.H.	1
14	KIT0007865	SERVICE KIT F/LUCAS WHEEL CYL	1

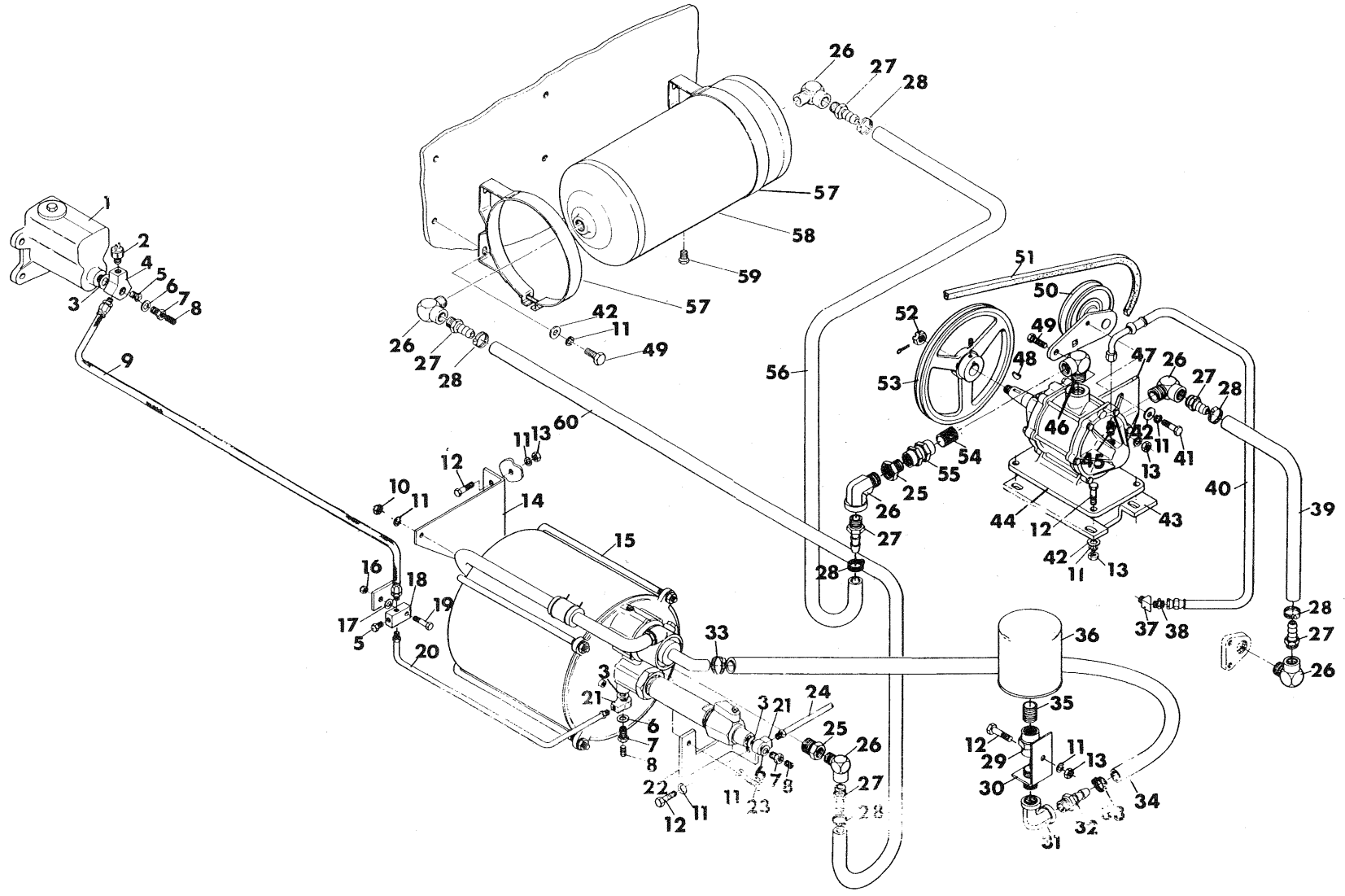
Differential, Breakdown



Differential, Breakdown

REF NO.	PART NO.	DESCRIPTION	QTY. USED
1	ETN0095204	PINION NUT	1
2	ETN0014354	FLAT WASHER	1
3	ETN0042055	INPUT YOKE & MUDSLINGER ASSY	1
4	ETN0119427	INPUT YOKE & MUDSLINGER ASSY	1
5	ETN0033699	PINION BEARING CONE	2
6	ETN0012495	PINION BEARING CUP - 55437	2
7	ETN0113325	CAP SCREW	6
8	ETN0075110	PINION BEARING CAGE & CUP ASSY	1
9	ETN0107567	PINION BEARING CAGE SHIM .003	A/R
9	ETN0107568	PINION BEARING CAGE SHIM .005	A/R
9	ETN0107569	PINION BEARING CAGE SHIM .010	A/R
10	ETN0063028	STUD NUT	2
11	ETN0119857	LOCK WASHER	2
12	ETN0091500	PINION BEARING SPACER .623	A/R
12	ETN0091523	PINION BEARING SPACER .638	A/R
13	ETN0119855	SHIFT FORK SEAL & SPRING ASSY	1
14	ETN0119863	SHIFT FORK MOUNTING STUD	2
15	ETN0032424	SHIFT FORK & ROLLER ASSEMBLY	1
16	ETN0111395	RING GEAR & DRIVE PINION (SET)	1
17	ETN0015828	PINION PILOT BEARING	1
18	ETN0009797	EXPANSION PLUG UPPER & LOWER	2
19	ETN0113800	SHIFT FORK SHAFT	1
20	ETN0067815	SCRAPER CAP SCREW	A/R
21	ETN0067814	OIL SCRAPER	A/R
22	ETN0076930	DIFF. CARRIER & BEARING CAP	1
23	ETN0071806	CARRIER GASKET	1
24	ETN0090873	COTTER PIN	1
25	ETN0013377	BEARING ADJUSTER LOCK	1
26	ETN0110243	DIFF. BEARING ADJUSTER R.H.	1
27	ETN0009803	DIFF. BEARING CUP R.H.	1
28	ETN0015094	DIFF. BEARING CONE R.H.	1
29	ETN0044356	RING GEAR BOLT	8
30	ETN0027860	GEAR SUPPORT CASE R.H.	1
31	ETN0018346	SIDE GEAR THRUST WASHER	1
32	ETN0014935	IDLER PINION PIN	4
33	ETN0027875	IDLER PINION	4
34	ETN0074023	HIGH SPEED CLUTCH PLATE	1
35	ETN0043269	GEAR SUPPORT THRUST WASHER L.H.	1
36	ETN0027859	GEAR SUPPORT CASE L.H.	1
37	ETN0060598	RING GEAR NUT	8
38	ETN0027876	DIFF. BEARING CONE L.H.	1
39	ETN0015092	DIFF. BEARING CUP L.H.	1
40	ETN0074022	DIFF. BEARING ADJUSTER L.H.	1
41	ETN0113629	SLIDING CLUTCH	1
42	ETN0090533	LOCK WIRE	2
43	ETN0009820	CAP SCREW	2
44	ETN0014949	BEARING ADJUSTER BLOCK L.H.	1
45	ETN0090536	LOCK WIRE	2
46	ETN0014970	BEARING CAP SCREW	4
47	ETN0114242	DIFFERENTIAL ASSEMBLY COMPLETE	1
48	ETN0109238	DIFF. CASE CAP SCREW	8
49	ETN0109236	DIFFERENTIAL CASE R.H.	1
50	ETN0018346	SIDE GEAR THRUST WASHER	2
51	ETN0110524	DIFFERENTIAL SIDE GEAR	2
52	ETN0064467	SIDE PINION THRUST WASHER	4
53	ETN0109250	SIDE PINION	4
54	ETN0025971	SPIDER	1
55	ETN0109235	DIFFERENTIAL CASE L.H.	1

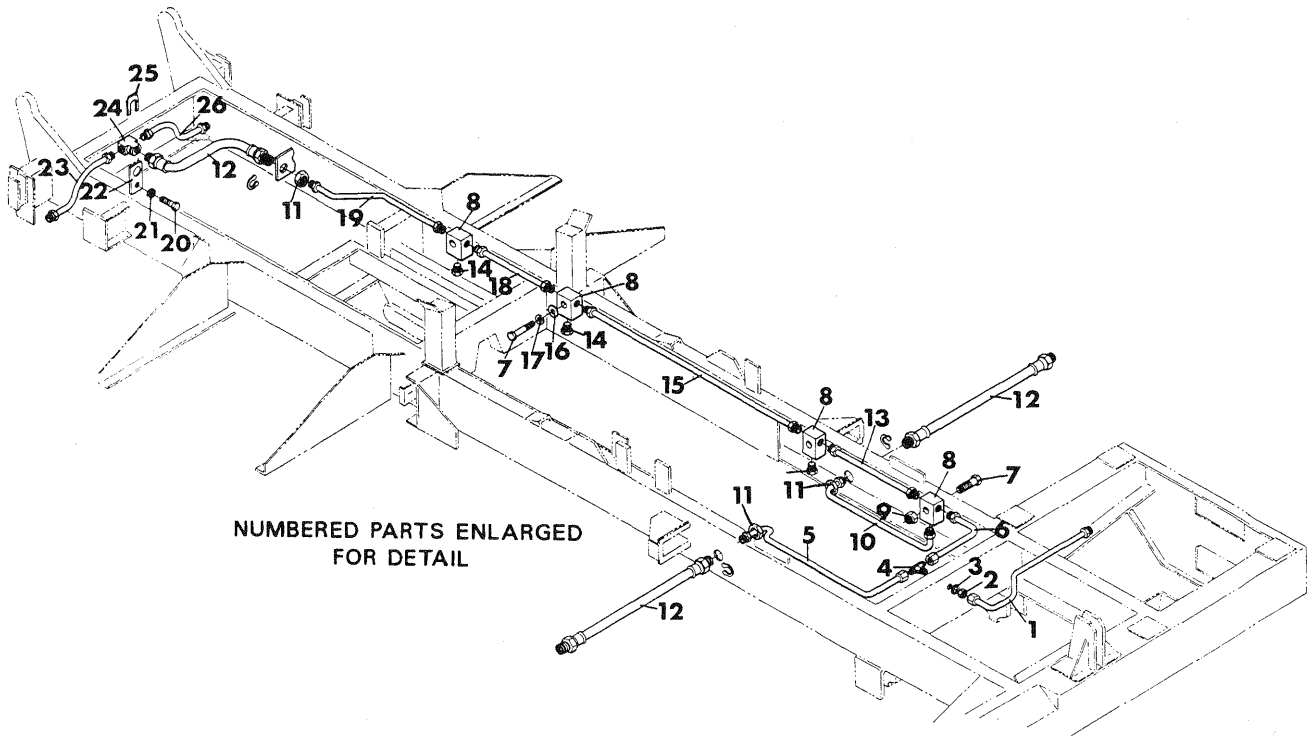
Vacuum Booster And Pump Plumbing



Vacuum Booster And Pump Plumbing

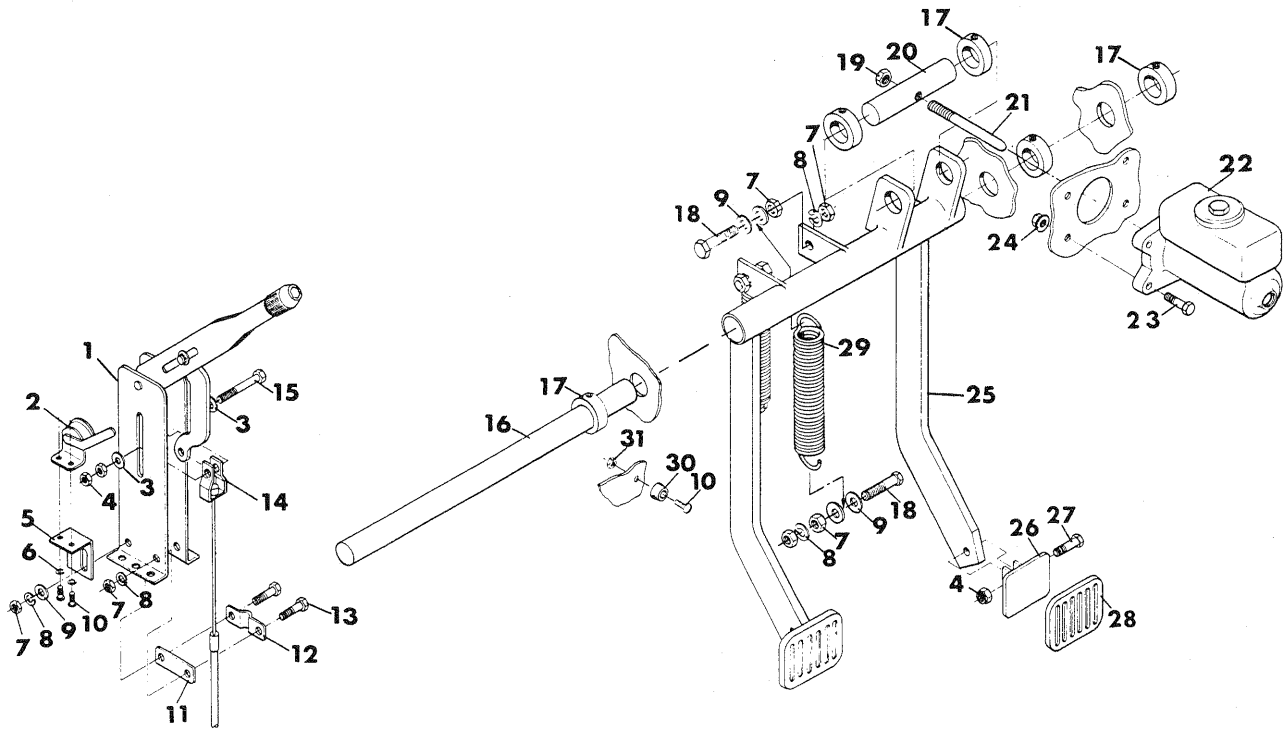
REF NO.	PART NO.	DESCRIPTION	QTY. USED
1	CYL0027305	MASTER BRAKE CYLINDER	1
2	03-130	BRAKE LIGHT SWITCH	1
3	19-141	STOP LIGHT ADAPTER WASHER-1/2"	3
4	HYD0007811	BRASS BRAKE FITTING	1
5	HYD1314025	1/4 INVERTED TUBE PLUG-HEX HD	2
6	19-139	STOP LIGHT ADAPT WASHER-19/32"	3
7	19-142	STOP LIGHT ADAPTOR	3
8	HYD3169010	1/8 SOCKET HD STEEL PIPE PLUG	3
9	HSE0028074	HOSE-FLEXIBLE BRAKE LINE	1
10	NFH0003750	3/8" NF HEX NUT	1
11	WLK0003750	3/8" LOCKWASHER	17
12	SCC0000303	3/8 X 1-1/4 NC HT CAP SCREW	8
13	NCH0003750	3/8" NC HEX NUT	16
14	MNT0020663	VACUUM BOOSTER MOUNT	1
15	VBPO374750	VACUUM BRAKE BOOSTER	1
16	NCH0003125	5/16" NC HEX NUT	1
17	WCT0003125	5/16" FLATWASHER	A/R
18	HYD0007708	1/8" HYDRAULIC BRAKE FITTING	1
19	SCC0000204	5/16 X 1-1/2 NC HT CAP SCREW	1
20	TBE0020615	BRK LINE-J BLOCK TO BOOST	1
21	19-140	STOP LIGHT ADAPTER FITTING	2
22	BRC0019530	VACCUM BOOSTER BRACE	1
23	SFC0000301	3/8 X 3/4 NF HT CAP SCREW	1
24	TBE0020616	BRK LINE-BOOSTER OUTLET	1
25	HYD3109043	1/2 X 3/8 STEEL PIPE BUSHING	2
26	HYD3409030	3/8 X 90* STEEL STREET ELBOW	6
27	FT 0000193	3/8" X 1/2" HOSE COUPLER	6
28	CLP0005410	3/8 - 5/8 HOSE CLAMP	6
29	HYD3309060	3/4 STEEL PIPE COUPLING	1
30	MNT0023516	VACUUM BREATHER MOUNT	1
31	HYD3509060	3/4 X 90* STEEL FEM PIPE ELBOW	1
32	HYD1241200	3/4" X 3/4" HOSE NIPPLE	1
33	CLP0005416	3/4 - 1 HOSE CLAMP	2
34	HOS0750034	3/4" X 3/4" VACUUM HOSE	1
35	PPE0000750	3/4 XCLD STD BLK PIPE NIPPLE	1
36	FT 0000546	FILTER F/VACUUM BOOSTER	1
37	HYD3350010	1/8 X 45* BRASS STREET ELBOW	1
38	HYD0048020	1/4 X 1/8 BRASS MALE CONNECTOR	1
39	HOS0500026	1/2" X 26" VACUUM HOSE	1
40	HOS0022233	VACUUM PUMP LUBER HOSE	1
41	SCC0000301	3/8 X 3/4 NC HT CAP SCREW	1
42	WCT0003750	3/8" FLATWASHER	5
43	MNT0019527	VACUUM PUMP MOUNT	1
44	19-316	VACUUM PUMP - 2500948	1
45	HYD0048022	1/4" NPT X 1/4 HOSE FITTING	1
46	HYD3409040	1/2 X 90* STEEL STREET ELBOW	1
47	MNT0019342	VACUUM PUMP IDLER MNT	1
48	ZZ 0000439	5/32 X 5/8 WOODRUFF KEY	1
49	SCC0000302	3/8 X 1 NC HT CAP SCREW	5
50	CID0808678	IDLER PULLEY	1
51	BLT0000044	BELT-V	1
52	NFC0005000	1/2" NF CASTLE NUT	1
53	05-216	VACUUM PUMP SHEAVE	1
54	01-720	1/2 X CLOSE EX NVY BLK NIPPLE	1
55	19-164	VACUUM CHECK VALVE	1
56	HOS0500088	1/2" X 88" VACUUM HOSE	1
57	ACL0004906	7" TANK CLAMP	2
58	19-143	VACUUM TANK 7 X 14-1/2	1
59	HYD3159020	1/4 HEX HEAD STEEL PIPE PLUG	1
60	HOS0500048	1/2" X 48" VACUUM HOSE	1

Brake Tubes



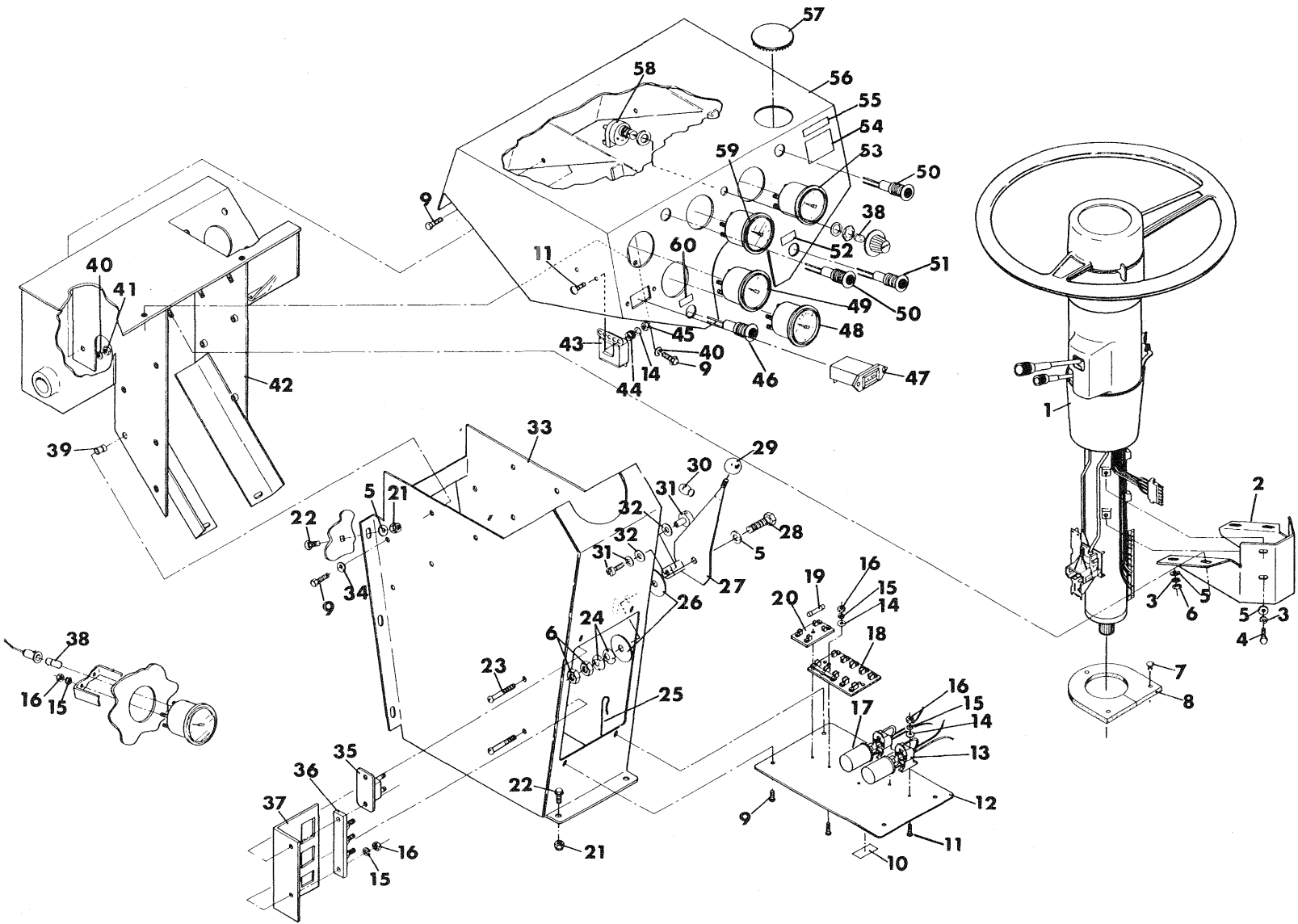
REF NO.	PART NO.	DESCRIPTION	QTY. USED
	1	TBE0020616 BRAKE LINE - BOOSTER OUTLET	1
	2	NFH0004375 7/16" NF HEX NUT	1
	3	WIS0004375 7/16" INTERNAL STAR WASHER-PLT	1
	4	HY05725020 1/4 JIC BULKHEAD BRANCH TEE	1
	5	TBE0020617 BRAKE LINE - RIGHT FRONT WHEEL	1
	6	TBE0020618 BRAKE LINE/FRNT TEE TO J BLOCK	1
	7	SCC0000204 5/16 X 1-1/2 NC HT CAP SCREW	4
	8	HYD0007708 1/8" HYDRAULIC BRAKE FITTING	4
	9	NCE0000313 5/16" NC ESNA NUT - PLATED	2
	10	TBE0020619 BRAKE LINE - LEFT FRONT WHEEL	1
	11	NFJ0006250 5/8" NF JAM NUT	3
	12	19-191 BRAKE HOSE	3
	13	TBE0020620 BRAKE LINE - J BLOCK TO J BLOC	1
	14	HYD1314025 1/4 INVERTED TUBE PLUG-HEX HD	3
	15	TBE0020621 BRAKE LINE - J BLOCK TO J BLK	1
	16	WCT0003125 5/16" FLATWASHER	A/R
	17	WLK0003125 5/16" LOCKWASHER	3
	18	TBE0020622 J BLOCK TO J BLOCK BRAKE LINE	1
	19	TBE0020623 REAR J BLOCK BRAKE LINE	1
	20	SCC0000505 1/2 X 1-3/4 NC HT CAP SCREW	1
	21	WLK0000500 1/2" LOCKWASHER - PLATED	1
	22	19-159 REAR BRAKE LINE SUPPORT	1
	23	TBE0020625 BRAKE LINE TO RIGHT REAR WHEEL	1
	24	HYD0007734 HYDRAULIC BRAKE TEE	1
	25	06-131 SPRING LOCK-W/H	1
	26	TBE0020624 LEFT REAR WHEEL BRAKE LINE	1

Brake Pedal Lever And Hand Brake Lever Assembly



REF NO.	PART NO.	DESCRIPTION	QTY. USED
1	LEV0040023	PARKING BRAKE LEVER ASSEMBLY	1
2	F 0000946	BRAKE ALARM SWITCH	1
3	WCT0000313	5/16" FLATWASHER - PLATED	2
4	NCE0000313	5/16" NC ESNA NUT - PLATED	4
5	MNT0017524	PARKING BRAKE SWITCH MOUNT	1
6	WLK0000100	#10 LOCKWASHER - PLATED	4
7	NCH0000375	3/8" NC HEX NUT - PLATED	10
8	WLK0000375	3/8" LOCKWASHER - PLATED	5
9	WCT0000375	3/8" FLATWASHER - PLATED	9
10	SMR1032500	10-32X1/2 RH MACH SCREW-PLT	6
11	19-168	LINK SPACER	1
12	19-169	CABLE CLAMP	1
13	SCC0000303	3/8 X 1-1/4 NC HT CAP SCREW	2
14	CBL5102167	BRAKE CABLE - PARKING BRAKE	1
15	SCC0000207	5/16 X 2-1/4 NC HT CAP SCREW	1
16	SHF0017396	BRAKE SUPPORT SHAFT	1
17	07-114	7/8" STEEL SET COLLAR	5
18	SCC0000304	3/8 X 1-1/2 NC HT CAP SCREW	4
19	NFH0003750	3/8" NF HEX NUT	1
20	ROD0017394	ACTUATING ROD F/BRAKE PUSH ROD	1
21	19-151	PUSH ROD - BRAKE CYLINDER	1
22	CYL0027305	MASTER BRAKE CYLINDER	1
23	SCC0000203	5/16 X 1-1/4 NC HT CAP SCREW	4
24	NMS0000116	5/16 NC WHIZ NUT	4
25	LEV0020998	BRAKE PEDAL LEVER ASSEMBLY	1
26	PED0013433	FOOT PEDAL ASSY	2
27	SCC0000204	5/16 X 1-1/2 NC HT CAP SCREW	2
28	PAD0948758	BRAKE PEDAL PAD	2
29	F 0001517	BRAKE LEVER RETURN SPRING	2
30	BMP0004243	RUBBER BUMPER	4
31	NFH0001032	10-32 NF HEX NUT - PLATED	4

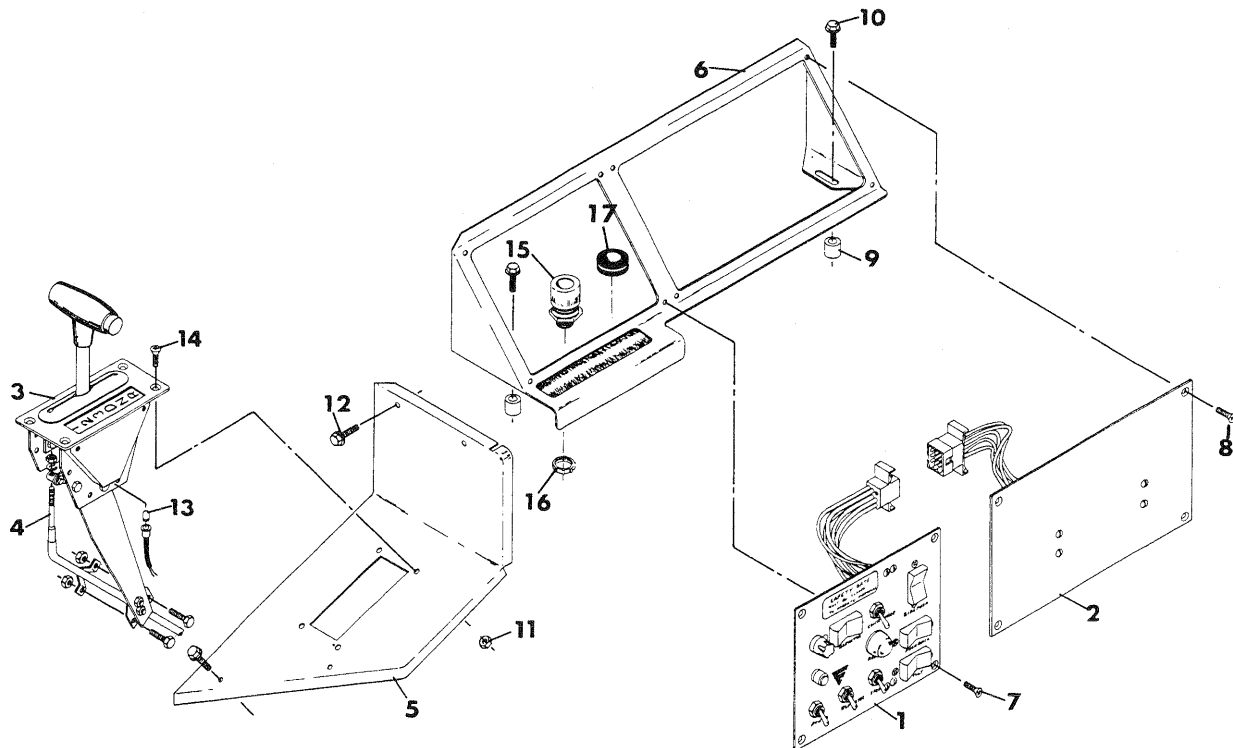
Dash, Pedestal, And Steering Column Assembly



Dash, Pedestal, And Steering Column Assembly

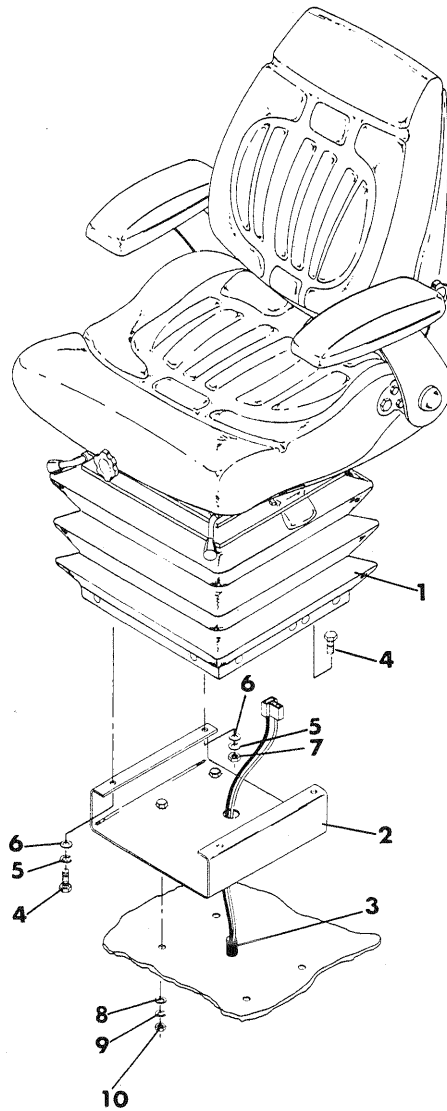
REF NO.	PART NO.	DESCRIPTION	QTY. USED
1	STEO017630	STEERING COLUMN ASSEMBLY	1
1	STEO351351	STEERING WHEEL KIT	1
2	MNT0018813	STEERING COLUMN SUPPORT MNT	1
3	WLK0000313	5/16" LOCKWASHER - PLATED	8
4	SCCM008020	8M X 20M NC HEX HD CS-GR 8.8	4
5	WCT0000313	5/16" FLATWASHER - PLATED	15
6	NCH0000313	5/16 NC HEX NUT - PLATED	6
7	FST0009914	TRIM FASTENER	3
8	<i>now</i> CLP0105840 → (TRM0022723)	STEERING COLUMN TRIM	1
9	SMS0000172	1/4 X 3/4 NC WHIZ BOLT-PLATED	14
10	FD 1845204	DASH DECAL - "FUSES"	1
11	SMR1032500	10-32X1/2 RH MACH SCREW-PLT	5
12	PNL0017836	PEDESTAL ACCESS PANEL	1
13	03-195	FLASHER HOLDER	2
14	WCT0000100	#10 FLATWASHER - PLATED	4
15	WLK0000100	#10 LOCKWASHER - PLATED	7
16	NFH0001032	10-32 NF HEX NUT - PLATED	2
17	ELC0000536	PLUG-IN FLASHER	2
18	03-209	5-GANG FUSE BLOCK	1
19	03-193	FUSE - AGC15	6
19	FUS0000019	FUSE - AGC 8	1
20	BLK0004652	2-GANG FUSE BLOCK	1
21	NCE0000313	5/16" NC ESNA NUT - PLATED	8
22	CRB3130750	5/16X 3/4 CARRIAGE BOLT	8
23	SMR1032100	10-32X1 RH MACH SCREW-PLT	2
24	F 0001002	CONICAL WASHER	2
25	CBLO000111	THROTTLE CABLE	1
26	F 0001003	FRICITION DISC	2
27	LEV0021190	MAND THROTTLE LEVER ASSY	1
28	SCC0000202	5/16 X 1 NC HT CAP SCREW	1
29	F 0005554	KNOB	1
30	F 0005080	THROT CABL STOP & END-BRASS	1
31	SMRB3205000	8-32 X 1/2 RH MACH SCREW	1
31	W VE2407	SWIVEL CONNECTOR	1
31	WCT0000800	#8 FLATWASHER - PLATED	1
32	WCT0000187	3/16" FLATWASHER - PLATED	A/R
33	PED0017399	PEDESTAL ASSEMBLY	1
34	WCT0000250	1/4" FLATWASHER - PLATED	10
35	CBK0005540	40-AMP CIRCUIT BREAKER	1
36	03-159	3-POST TERMINAL BLOCK	1
37	MNT0019533	STRIP AND CONNECTOR MOUNT	1
38	LIT0000161	BULB FOR GAUGES	A/R
38	LIT0001816	BULB FOR HEATER SWITCH	A/R
39	ZZ 0000501	1/4" NC NUTSERT	12
40	WLK0000250	1/4" LOCKWASHER - PLATED	4
41	NCH0000250	1/4" NC HEX NUT - PLATED	4
42	MNT0017384	BRAKE LEVER MOUNT ASSEMBLY	1
43	ALAO004099	PARKING BRAKE "ON" ALARM	1
44	GRM0000382	GROMMET	1
45	NFE0001032	10-32 NF ESNA NUT - PLATED	2
46	LIT0000021	DASH INDICATOR LAMP - AMBER	1
47	ELC0150005	HOUR METER	1
48	GAG0082112	GAUGE-VOLTAGE METER 12V NEG	1
49	GAG0082115	OIL TEMP GAUGE 140* - 320*	1
50	LIT0000020	DASH INDICATOR LAMP - GREEN	2
51	F 0006424	DASH INDICATOR LAMP - RED	1
52	FD 1845201	DASH DECAL - "BRAKE"	1
53	GAG0082305	OIL PRESSURE GAUGE	1
54	FD 0009584	BACKUP ALARM DECAL	1
55	FD 1845203	DASH DECAL - "MASTER CYLINDER"	1
56	DSH0017685	DASH ASSEMBLY	1
57	PLU0051056	2-1/4" CHROME BUTTONHEAD PLUG	1
58	SWI0356120	HEATER SWITCH AND CONTROL	1
59	GAG0082306	WATER TEMPERATURE GAUGE	1
60	FD 1845202	DASH DECAL - "LIGHTS"	1

Transmission Shift Lever And Control Panels



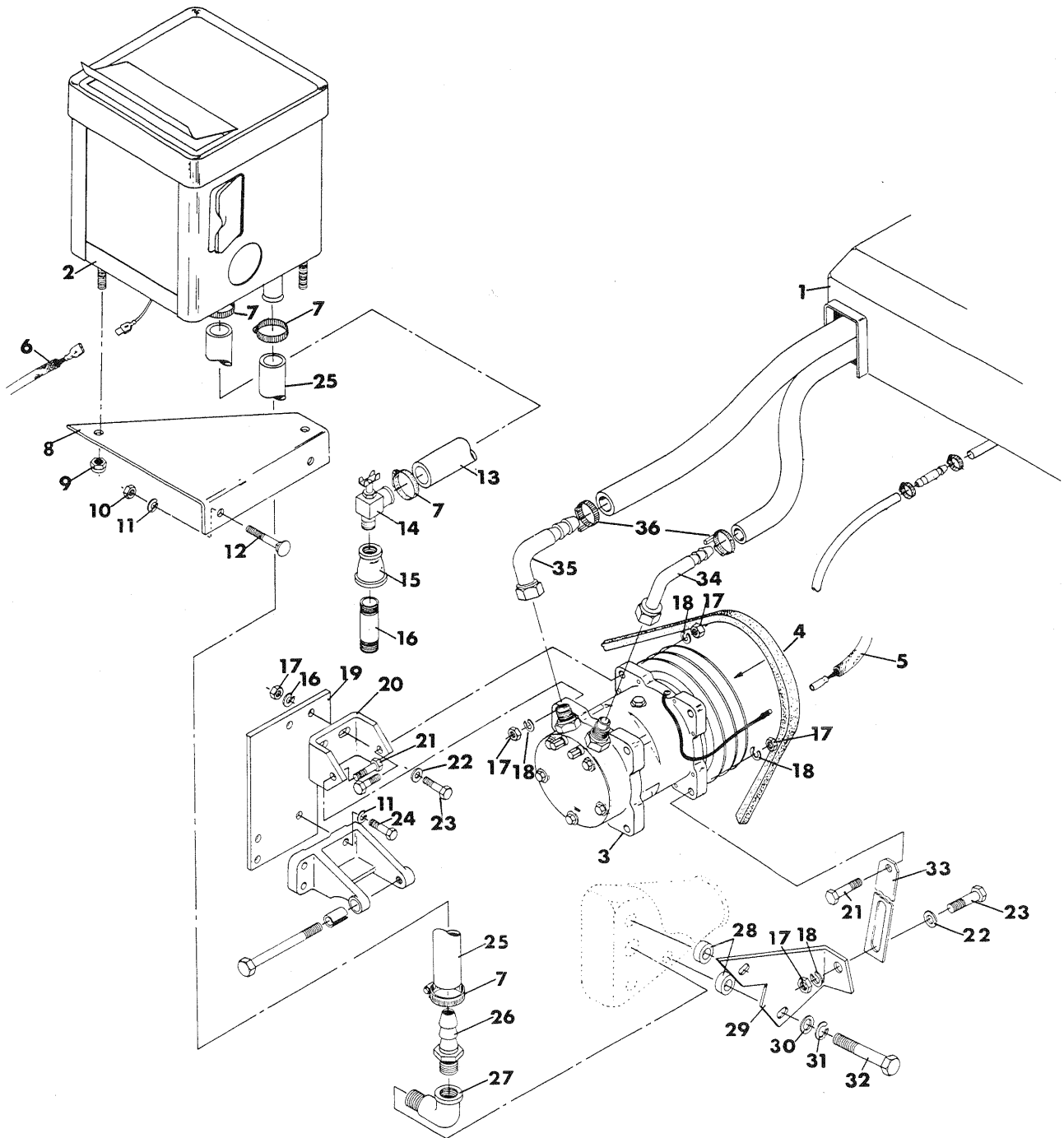
REF NO.	PART NO.	DESCRIPTION	QTY. USED
1	PNL2179000	CONTROL PANEL COMPLETE	1
2	PNL2070900	COVER PLATE -DIODE MNT PLT	1
3	SHT7312748	AUTO TRANS SHIFT HANDLE ASSY	1
4	CBL1843120	AUTO TRANS SHIFT CABLE ASSY	1
5	PLT0018759	AUTO TRANS SHIFT PLATE	1
6	MNT0022218	CONTROL PANEL MOUNT	1
7	SMS0000195	#10 X 3/4 PHIL PAN HD SHMS-PLT	4
8	SMS0000149	#10X3/4 PHILLIPS OVAL HD SCREW	4
9	SPC0020650	CONTROL PANEL MOUNT SPACER	2
10	SMS0000815	5/16 X 1-1/4 NC WHIZ BOLT-PLTD	2
11	NCE0000250	1/4" NC ESNA NUT - PLATED	4
12	SMS0000206	1/4 X 3/4 NC WHIZ BOLT	4
13	LIT0001893	BULB FOR AUTO TRANS SHIFT LEV	A/R
14	SMF0000100	1/4 X 1/2 FH MACHINE SCREW	4
15	03-186	1" STRAIN RELIEF CONNECTOR	1
16	NMS0000110	1" LOCK NUT	1
17	GRM0002870	GROMMET	1

Seat Assembly



REF NO.	PART NO.	DESCRIPTION	QTY. USED
1	SEA0009590	AIR RIDE SEAT W/SWIVEL BASE	1
2	DPT0018134	SEAT ADAPTER	1
3	HRN0022826	AIR RIDE SEAT MOTOR HARNESS	1
4	SCC0000202	5/16 X 1 NC HT CAP SCREW	2
5	WLK0000313	5/16" LOCKWASHER - PLATED	4
6	WCT0000313	5/16" FLATWASHER - PLATED	4
7	NCH0000313	5/16 NC HEX NUT - PLATED	2
8	WCT0000375	3/8" FLATWASHER - PLATED	4
9	WLK0000375	3/8" LOCKWASHER - PLATED	4
10	NCH0000375	3/8" NC HEX NUT - PLATED	4

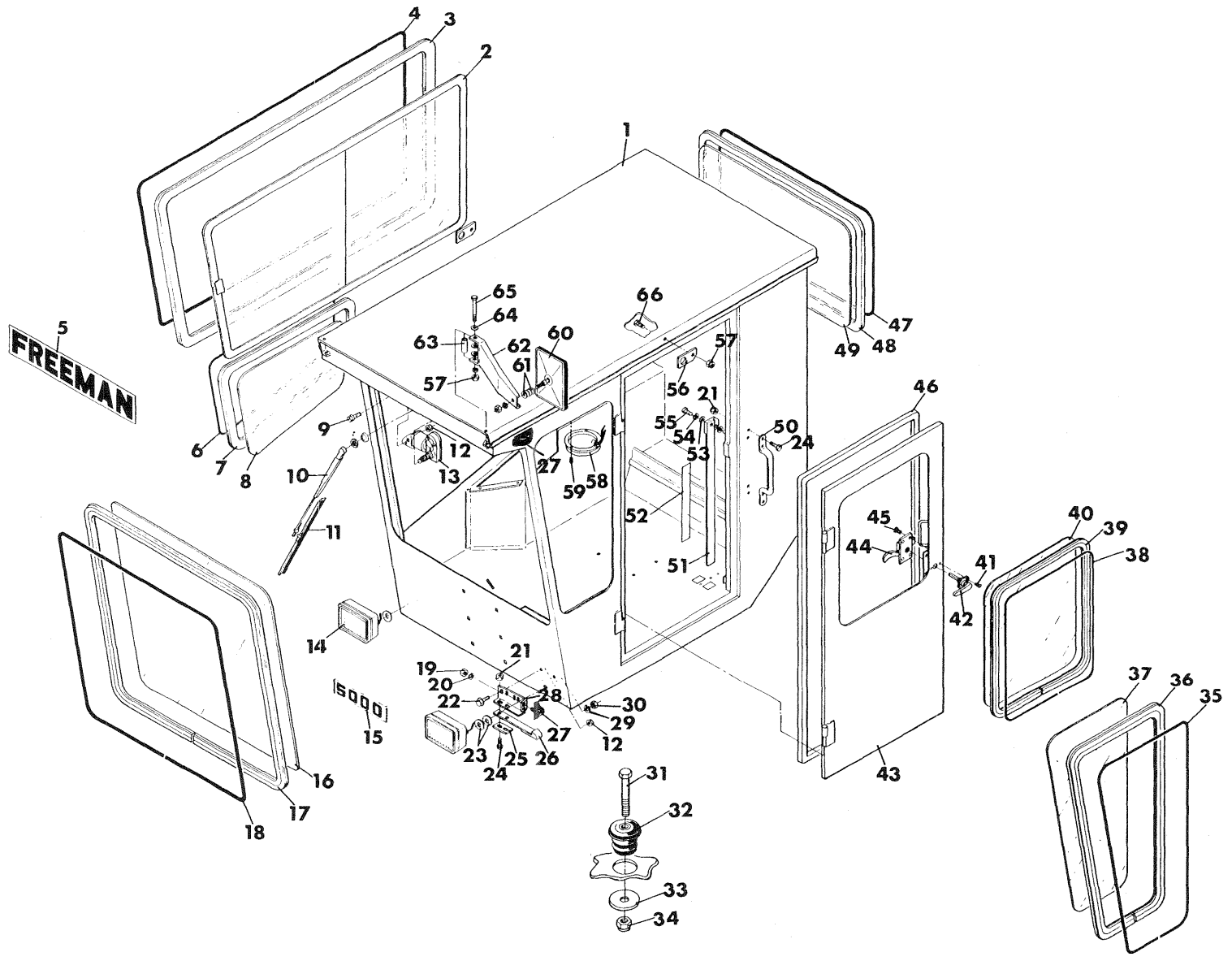
Air Conditioner And Cab Heater



Air Conditioner And Cab Heater

REF NO.	PART NO.	DESCRIPTION	QTY. USED
1	ACN0060001	AIR CONDITIONER	1
2	HTR0356120	CAB HEATER COMPLETE W/FITTINGS	1
3	ACN0529945	A/C COMPRESSOR W/2 BELT CLUTCH	1
4	BLT2515505	AIR COND DRIVE BELT	1
5	HRN0023487	A/C COMPRESSOR CONTROL HARNESS	1
6	HRN0023486	CAB HEATER HARNESS	1
7	CLP7051181	3/8"-3/4" A/C HOSE CLAMP	4
8	BKT0021412	HEATER SUPPORT BRACKET	1
9	NCE0000313	5/16" NC ESNA NUT - PLATED	2
10	NCH0000313	5/16 NC HEX NUT - PLATED	2
11	WLK0000313	5/16" LOCKWASHER - PLATED	5
12	CRB3130750	5/16X 3/4 CARRIAGE BOLT	2
13	HSE1530096	5/8 HEATER HOSE X 96"	1
14	HYD0211280	SHUT-OFF VALVE F/CAB HEATER	1
15	PPE0030500	3/8 X 1/2 FEM NPT BLK RDU CR	1
16	PPE5000200	1/2 X 2 STD BLK PIPE NIPPL	1
17	NCH0000375	3/8" NC HEX NUT - PLATED	6
18	WLK0003750	3/8" LOCKWASHER	6
19	PLT0019528	AIR COND MNT PLT	1
20	BKT0016388	A/C COMPRESSOR MOUNT BRACKET	1
21	SCC0000304	3/8 X 1-1/2 NC HT CAP SCREW	3
22	WCT0003750	3/8" FLATWASHER	3
23	SCC0000303	3/8 X 1-1/4 NC HT CAP SCREW	3
24	SCCM008040	8M X 40M MC HEX HD CS-GR 8.8	3
25	HSE1530114	5/8 HEATER HOSE X 114"	1
26	HYD000EC28	5/8 1/2" NPT MALE BARBED TUBE	1
27	PPE0100903	1/2 90* STD BLK STREET ELBOW	1
28	F 0001193	BUSHING	2
29	BKT0023363	A/C COMPRESS TIGHTENER MNT BKT	1
30	WCTM000100	10 MM FLATWASHER	2
31	WLKM100100	10 MM LOCKWASHER - PLATED	2
32	SCCM010090	10M X 90M MC HEX HD CS-GR 8.8	2
33	BKT0023364	COMPRESSOR BELT TIGHTENER BKT	1
34	ACN0587040	A/C ELBOW - 5/8 FLARE #10 BARB	1
35	ACNC587030	A/C ELBOW - 1/2" FLARE #8 BARB	1
36	CLP0000106	HOSE CLAMP	2

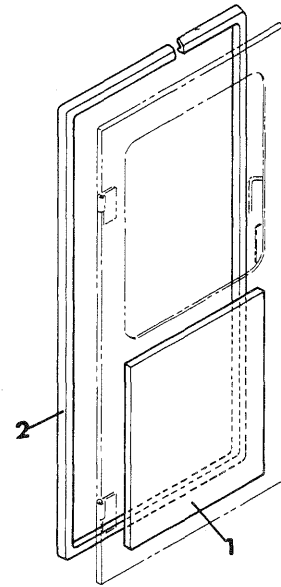
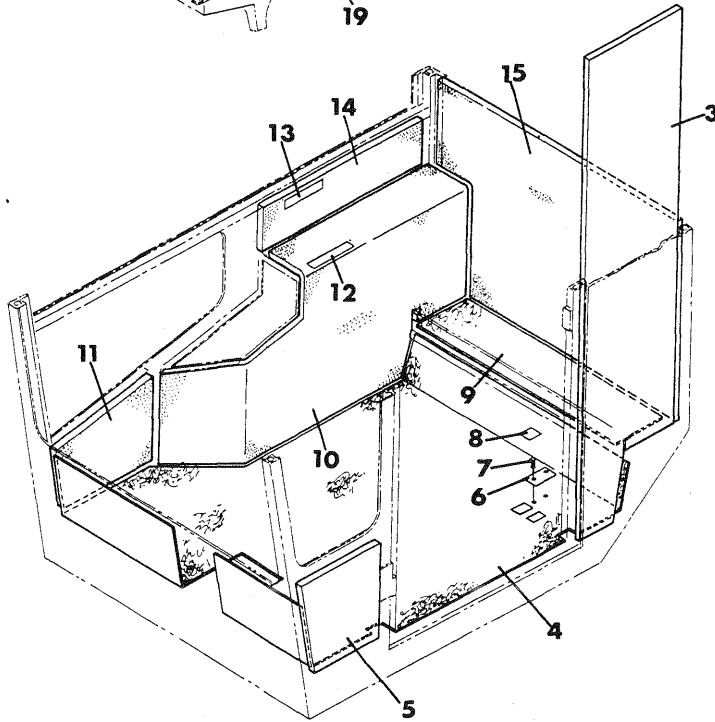
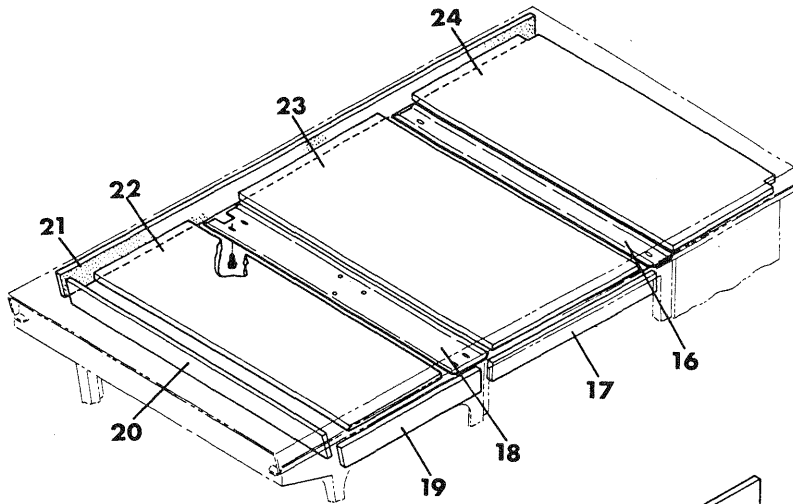
Cab Assembly



Cab Assembly

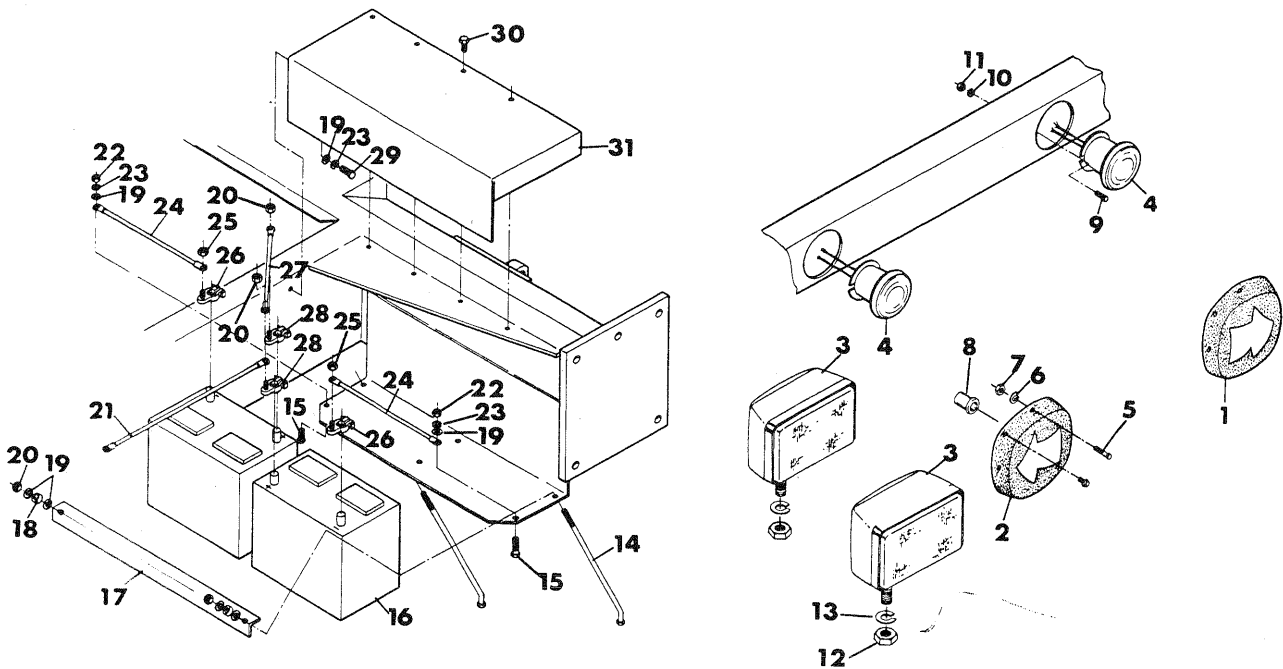
REF NO.	PART NO.	DESCRIPTION	QTY. USED
1	CAB0005001	CAB COMPLETE	1
1	CAB0017719	CAB ASSEMBLY	1
2	WND0017765	SLIDING SIDE WINDOW	1
3	WEA1179174	CAB WINDOW WEATHER STRIP 174"	1
4	WEA9370174	STAY, WINDOW WEATHER STRP 174"	1
5	FD 0007114	RED "FREEMAN" DECAL	1
6	WEA9370092	CAB WINDOW WEATHER STRIP 92"	1
7	WEA1179092	STAY, WINDOW WEATHER STRP 92"	1
8	WND0017766	LOWER RIGHT-HAND WINDOW GLASS	1
9	SMSC000815	5/16 X 1-1/4 NC WHIZ BOLT-PLTD	1
10	WNW10210	WIPER ARM	1
11	WNW18795	WIPER BLADE	1
12	NMS0000117	5/16 NC WHIZ NUT - PLATED	3
13	WNW19710	WINDSHIELD WIPER MOTOR	1
14	LIT7189802	RECTANG HEAD LIGHT, HALOGEN	2
15	FD 0005000	DECAL - "5000"	1
16	WND0017764	FRONT WINDOW GLASS	1
17	WEA1179154	CAB WINDOW WEATHER STRIP 154"	1
18	WEA9370154	STAY, WINDOW WEATHER STRP 154"	1
19	NFH0000375	3/8" NF HEX NUT - PLATED	2
20	WLK0000375	3/8" LOCKWASHER - PLATED	2
21	NMS0000250	1/4" NC WHIZ NUT - PLATED	6
22	SMS0000184	5/16 X 3/4 NC WHIZ BOLT-PLATED	2
23	WCT0000500	1/2" FLATWASHER - PLATED	4
24	SMS0000172	1/4 X 3/4 NC WHIZ BOLT-PLATED	6
25	PLT0006684	DOOR HOLDER BACKING PLATE	1
26	SPG0005697	CAB DOOR SPRING FASTENER	1
27	F 0008264	RUBBER BUMPER	2
28	MNT0006683	DOOR HOLDER MOUNT	1
29	WLK0000500	1/2" LOCKWASHER - PLATED	2
30	NCH0000500	1/2" NC HEX NUT - PLATED	2
31	SCC0080753	3/4 X 3 NC GR 8 CAP SCREW	4
32	MNT0304001	SHOCK MOUNT, CAB	4
33	WAS0018220	CAB MOUNT WASHER	4
34	NCE0007500	3/4" NC ESNA NUT	4
35	WEA9370105	STAY, WINDOW WEATHER STRP 105"	1
36	WEA1179105	CAB WINDOW WEATHER STRIP 105"	1
37	WND0017763	LEFT-HAND WINDOW GLASS	1
38	WEA9370093	STAY, WINDOW WEATHER STRP 93"	1
39	WEA1179093	CAB WINDOW WEATHER STRIP 93"	1
40	GLS0006954	CAB DOOR GLASS	1
41	SMS0002710	8"X3/4"PHIL OVAL HD TAPP SC-ZP	2
42	HAN0020072	DOOR HANDLE W/KEY	1
43	DOR0017756	CAB DOOR ASSEMBLY	1
44	LOK0000055	CAB DOOR LATCH	1
45	SMS0000107	1/4 X 1/2 NC SELF-TAP CS-PLTD	4
46	WEA4675174	DOOR WEATHER STRIP 174"	1
47	WEA9370122	STAY, WINDOW WEATHER STRP 122"	1
48	WEA1179122	CAB WINDOW WEATHER STRIP 122"	1
49	GLS0006982	REAR WINDOW GLASS	1
50	HAN0002399	CHROME GRAB HANDLE F/CAB	1
51	BAR0017965	SAFETY GATE BAR ASSEMBLY	1
52	FD 0023578	SAFETY GATE DECAL	1
53	WCT0000313	5/16" FLATWASHER - PLATED	1
54	WLK0000313	5/16" LOCKWASHER - PLATED	1
55	SCC0020001	5/16 X 3/4 NC HT CS - PLATED	1
56	CAB0006273	CAB HANGER	2
57	NCG0003750	3/8" NC GRIPCO NUT	2
58	F 0001505	DOVE LIGHT F/CABS	1
59	SMS0000191	1/2 X 1/4 H.K.SOCKET JAM SCREW	3
60	MIR6695001	MIRROR-STUD MOUNT W/BALL PIVOT	1
61	WCT0000250	1/4" FLATWASHER - PLATED	4
62	ARM1456101	L.H. REAR VIEW MIRROR ARM ASSY	1
63	SPC0020719	REAR VIEW MIRROR ARM SPACER	1
64	WCT0000375	3/8" FLATWASHER - PLATED	5
65	SCC0000316	3/8 X 5 NC HT CAP SCREW	1
66	SCC0030003	3/8 X 1-1/4 NC HT CS - PLATED	2

Cab Linings



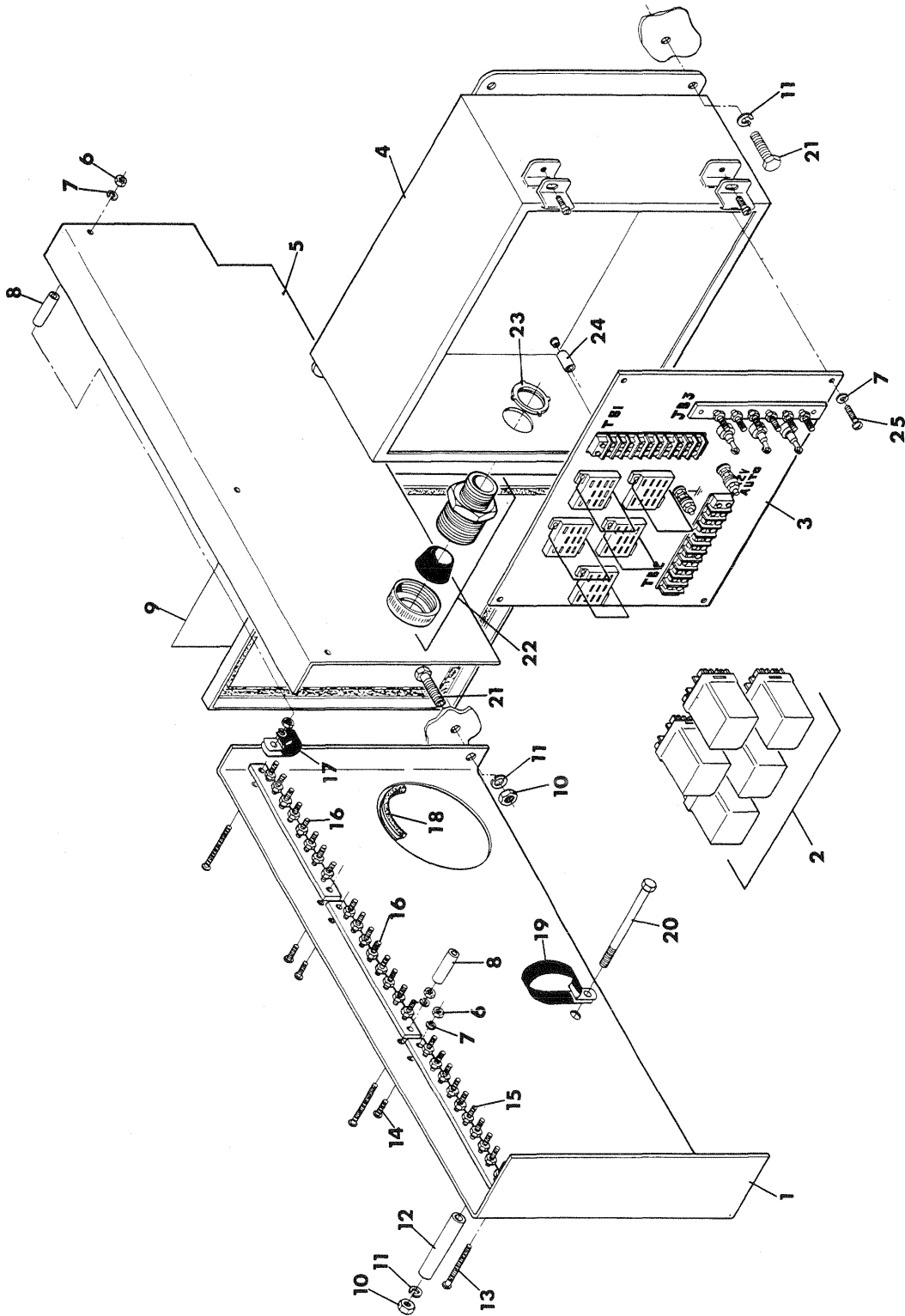
REF NO.	PART NO.	DESCRIPTION	QTY. USED	REF NO.	PART NO.	DESCRIPTION	QTY. USED
1	KIT0020326	CAB LINER KIT -	1	13	FD 0020210	DECAL-SYSTEM SELECT	1
1	LIN0018196	DOOR LINER	1	14	LIN0018204	TOP CONSOLE LINER	1
2	WEA4675174	DOOR WEATHER STRIP 174"	1	15	LIN0018205	REAR LINER	1
3	LIN0018203	LEFT REAR SIDE LINER	1	16	SUP0017755	REAR LINER SUPPORT	1
4	MAT0018202	FLOOR MAT	1	17	LIN0018198	DOOR HEADER LINER	1
5	LIN0018197	L. H. LOWER FRONT LINER	1	18	SUP0017754	FRONT LINER SUPPORT	1
6	PLT0020463	TILT & PUSHOFF DECAL MNT PLATE	1	19	LIN0018200	UPPER L.H. SIDE LINER	1
7	SMS0000217	1/4X3/4 HEX SELF TAPPING SCREW	2	20	LIN0018208	UPPER FRONT LINER	1
8	FD 0000041	DECAL-PUSHER & TILT CONTROLS	1	21	LIN0018199	UPPER R.H. SIDE LINER	1
9	MAT0018201	REAR FLOOR MAT	1	22	LIN0018193	CEILING FRONT LINER	1
10	LIN0018206	RH LOWER FR CONSOLE LINER	1	23	LIN0018194	CEILING MIDDLE LINER	1
11	LIN0018217	LOWER RH SIDE LINER	1	24	LIN0018195	CEILING BACK LINER	1
12	FD 1845101	DECAL-PICKUP UP-DOWN-RUN-STOP	1				

Batteries, Lights And Turn Signals



REF NO.	PART NO.	DESCRIPTION	QTY. USED
1	LIT0000650	LEFT TURN ARROW LAMP	1
2	LIT0000651	RIGHT TURN ARROW LAMP	1
3	LIT7189802	RECTANG HEAD LIGHT, HALOGEN	2
4	03-156	TAIL AND STOP LIGHT	2
5	SMR1032075	10-32X 3/4 RH MACH SCREW-PLT	8
6	WLK0000100	#10 LOCKWASHER - PLATED	8
7	NFH0001032	10-32 NF HEX NUT - PLATED	8
8	GRM0000014	#14 RUBBER MOLDED BUSHING	2
9	CRB2500750	1/4 X 3/4 CARRIAGE BOLT-PLTD	4
10	WLK0000250	1/4" LOCKWASHER - PLATED	4
11	NCH0000250	1/4" NC HEX NUT - PLATED	4
12	NCH0000500	1/2" NC HEX NUT - PLATED	2
13	WLK0000500	1/2" LOCKWASHER - PLATED	2
14	F 0006551	BATTERY HOLD DOWN BOLT	2
15	SCC0030002	3/8 X 1 NC HT CS - PLATED	2
16	F 0006639	BATTERY 12 VOLT - GROUP 24 WET	2
17	F 0006627	DOUBLE BATTERY HOLD DOWN BAR	1
18	F 0006328	BATTERY HOLD DOWN GROMMET	2
19	WCT0000375	3/8" FLATWASHER - PLATED	7
20	NCE0000375	3/8" NC ESNA NUT - PLATED	4
21	HRN0023267	BATTERY CABLE, BAT TO ENG 108"	1
22	NCH0000375	3/8" NC HEX NUT - PLATED	2
23	WLK0000375	3/8" LOCKWASHER - PLATED	3
24	03-201	GROUND CABLE	2
25	NCE0000313	5/16" NC ESNA NUT - PLATED	2
26	03-204	NEGATIVE BATTERY TERMINAL	2
27	03-202	BATTERY CONNECTING CABLE	1
28	03-203	POSITIVE BATTERY TERMINAL	2
29	SCC0030001	3/8 X 3/4 NC HT CS - PLATED	1
30	SMS0000184	5/16 X 3/4 NC WHIZ BOLT-PLATED	4
31	CVR0020426	BATTERY COVER	1

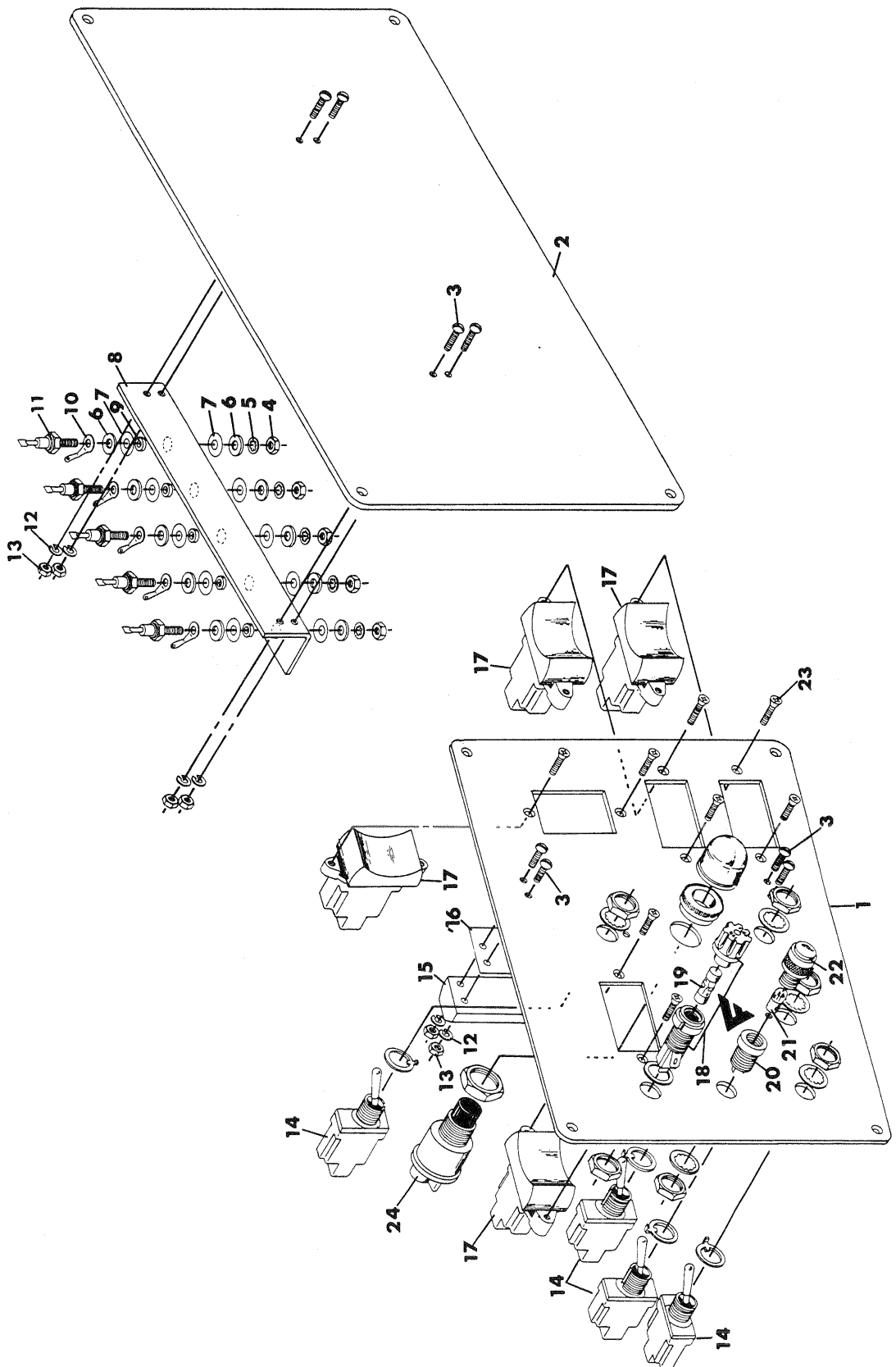
Relay Panel And Junction Mount



Relay Panel And Junction Mount

REF NO.	PART NO.	DESCRIPTION	QTY. USED
1	MNT0020300	JUNCTION BLOCK MOUNT	1
2	03-182	RELAY	5
3	ELC1171113	RELAY PANEL COMPLETE	1
4	ELC0018135	RELAY CHASSIS BOX WITH COVER	1
5	SHD0020301	JUNCTION BLOCK SHIELD-26 POST	1
6	NFH0001032	10-32 NF HEX NUT - PLATED	9
7	WLK0000100	#10 LOCKWASHER - PLATED	13
8	SPC0011478	CONTROL BOX PANEL SPACER - 2"	3
9	FD 0023473	DECAL, "CAUTION"	1
10	NCH0000313	5/16 NC HEX NUT - PLATED	3
11	WLK0000313	5/16" LOCKWASHER - PLATED	7
12	SPCC020818	JUNCTION BLOCK MNT SPACER	1
13	SMR1320300	10-32X3 RH MACH SCREW-PLT	3
14	SMR1032100	10-32X1 RH MACH SCREW-PLT	3
15	TEB0472110	10 POST TERMINAL BLOCK	1
16	TEB0472108	8 POST TERMINAL BLOCK	2
17	CLP0000120	1/2 X 1/4 VINYL CLAMP	1
18	MLD7500331	WHT QUICKEDGE TRIM MLDG X 13"	1
19	CLP0000137	2 X 5/16 HOLE VINYL CLAMP	1
20	SCC0020018	5/16 X 5 NC HT CS - PLATED	1
21	SCC0020002	5/16 X 1 NC HT CS - PLATED	6
22	03-186	1" STRAIN RELIEF CONNECTOR	1
23	NMSC000110	1" LOCK NUT	1
24	11-262	1" SPACER FOR JUNCTION BLOCK	4
25	SMR1032175	10-32X1-3/4 RH MACH SCREW	4

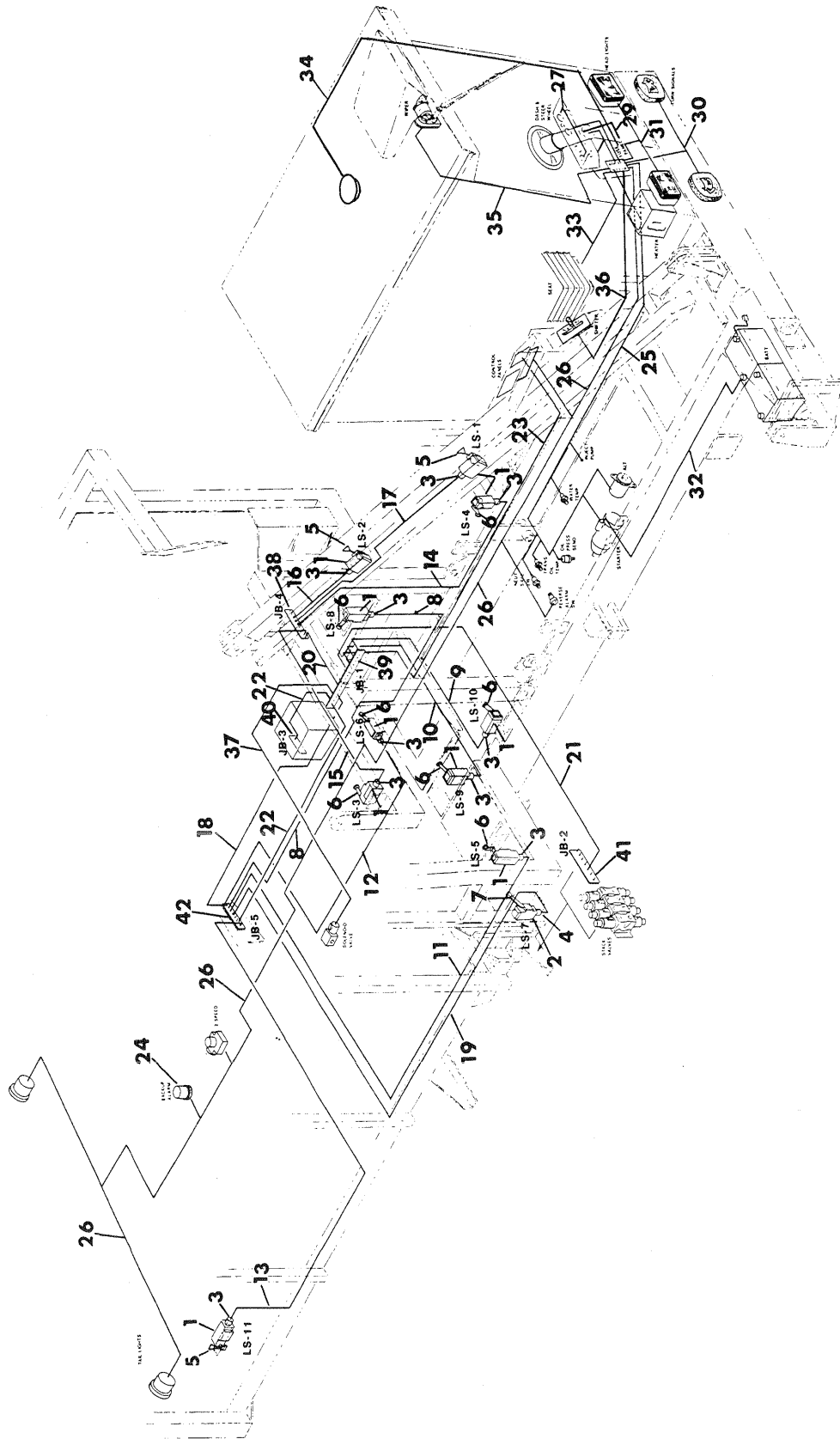
Operator's Panel, Breakdown



Operator's Panel, Breakdown

REF NO.	PART NO.	DESCRIPTION	QTY. USED
1	PNL0021790	OPERATOR'S CONTROL PANEL	1
1	PNL2179000	CONTROL PANEL COMPLETE	1
2	PLT0020709	DIODE MOUNT PLATE	1
2	PNL2070900	DIODE MOUNT PLATE, COMPLETE	1
3	SMR6320500	6-32 X 1/2 RH MACH SCREW-PLT	8
4	NFH0001032	10-32 NF HEX NUT - PLATED	5
5	WIS0001000	#10 INTERNAL STAR WASHER-PLT	5
6	WCT0000100	#10 FLATWASHER - PLATED	10
7	INS5260011	INSULATOR, MICA WASHER	10
8	MNT0016907	CONTROL PANEL DIODE MOUNT	1
9	BSH5154701	INSULATING BUSHING	5
10	TER0000101	#10 SOLDER TERMINAL	5
11	REC0005874	RECTIFIER	5
12	WLKG000600	#6 LOCKWASHER - PLATED	8
13	NCH0000632	6-32 NC HEX NUT - PLATED	8
14	03-181	TOGGLE SWITCH	4
15	BA80014140	14 POST TERMINAL BLOCK	1
16	MSR0014140	MARKER STRIP	1
17	SWI0005071	ROCKER SWITCH	4
18	03-192	FUSE HOLDER	1
19	03-193	FUSE - AGC15	1
20	03-188	INDICATOR LAMP BASE	1
21	03-190	INDICATOR LAMP BULB	1
22	03-189	INDICATOR LAMP LENS	1
23	SMS0000303	6-32X 3/4 NC FH PHIL M.SCR-PLT	8
24	F 0005237	PUSH BUTTON SWITCH	1

Harness Locations



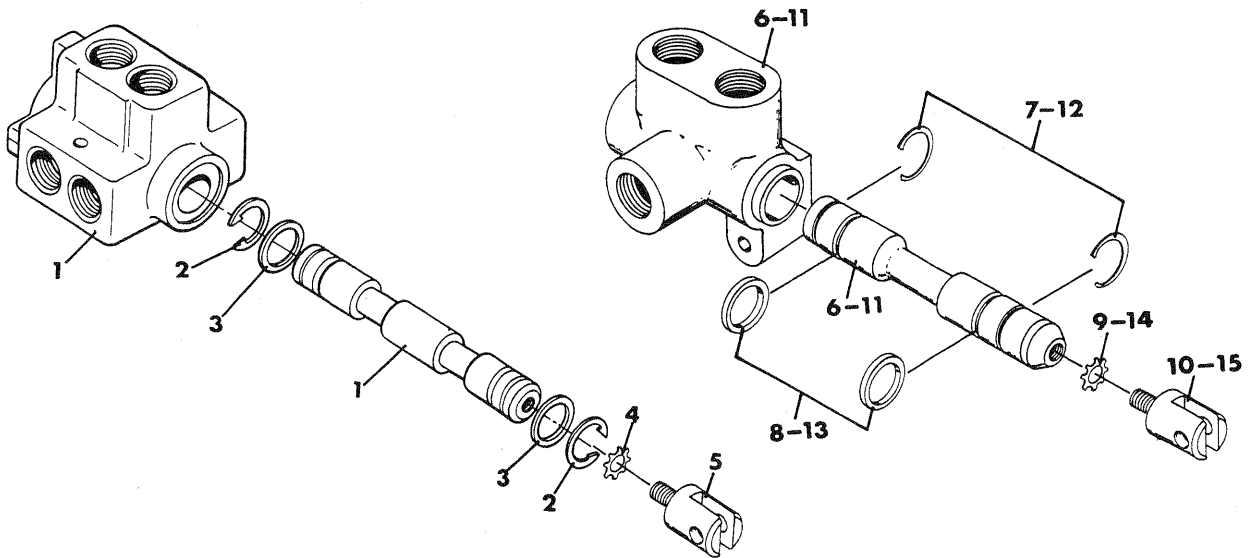
Harness Locations

REF NO.	PART NO.	DESCRIPTION	QTY. USED
1	SWI0005079	LIMIT SWITCH-4 POST	10
2	SWI0005081	LIMIT SWITCH-8 POST	1
3	CNR0000193	1/2" STRAIN RELIEF CONNECTOR	10
4	CNR0000195	CONNECTOR	1
5	ELC0000003	LIMIT SW LEVER ARM-SPRING TYPE	3
6	ARM0005001	1-1/2" LEVER ARM W/3/4" ROLLER	6
7	ARM0005084	3" LEVER ARM W/3/4" ROLLER	1
8	HRN0020768	LS8 TO JB5 WIRING HARNESS	1
9	HRN0020769	LS10 TO JB1 WIRE HARNESS	1
10	HRN0020770	LS9 TO JB1 WIRING HARNESS	1
11	HRN0020771	LS5 TO JB5 WIRING HARNESS	1
12	HRN0020772	LS6 TO JB5 WIRING HARNESS	1
13	HRN0020773	LS11 TO JB5 WIRE HARNESS	1
14	HRN0020774	LS4 TO JB4 WIRING HARNESS	1
15	HRN0020775	LS3 TO JB4 WIRING HARNESS	1
16	HRN0020776	LS2 TO JB4 WIRING HARNESS	1
17	HRN0020777	LS1 TO JB4 WIRING HARNESS	1
18	HRN0020778	JB1 TO JB5 WIRING HARNESS	1
19	HRN0020779	LS7 TO JB5 WIRING HARNESS	1
20	HRN0020780	JB1 TO JB4 WIRING HARNESS	1
21	HRN0020781	JB1 TO JB2 WIRING HARNESS	1
22	HRN0020782	REL PNL TO JB1 WIRE HRNSS	1
23	HRN0020783	CONT PNL TO JB1 WIR HRNSS	1
24	ALAG005057	BACK-UP ALARM	1
25	HRN0018327	ENGINE HARNESS	1
26	HRN0020464	VEH FRAME WIRING HARNESS	1
27	HRN0018326	DASH WIRING HARNESS	1
28	HRN0020704	IGNITION WIRING HARNESS	1
29	HRN0018330	STR COLUMN WIRE HARNESS	1
30	HRN0018328	FRONT TURN SIGNALS HARNESS	1
31	HRN0022823	HEAD LIGHT HARNESS	1
32	HRN0023267	BATTERY CABLE, BAT TO ENG 108"	1
33	HRN0022825	AUTO SHIFT LEVER LIGHT HARN	1
34	HRN0022822	CAB DOME LIGHT HARNESS	1
35	HRN0022821	WINDSHIELD WIPER MOTOR HARN	1
36	HRN0022825	AUTO SHIFT LEVER LIGHT HARN	1
37	HRN0023515	ROLLER RACK RELEASE VALVE HARN	1
38	03-161	6-POST TERMINAL BLOCK	1
39	TEB0472108	8 POST TERMINAL BLOCK	2
39	TEB0472110	10 POST TERMINAL BLOCK	1
40	TEB0472108	8 POST TERMINAL BLOCK	1
42	03-162	12-POST TERMINAL BLOCK	1

Selector Valves, Breakdown

VLV0000076

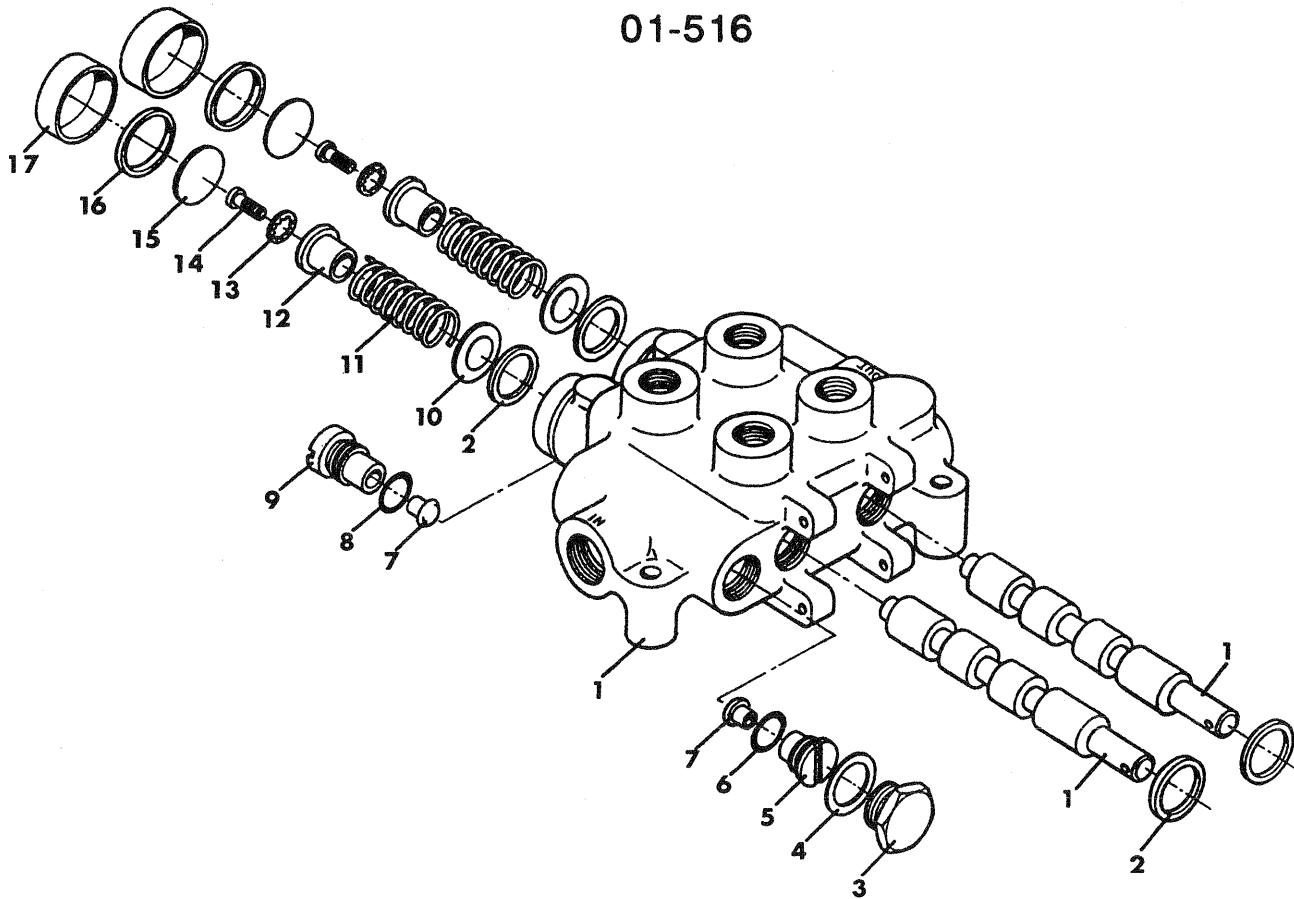
VLV0000074, VLV0000500



REF NO.	PART NO.	DESCRIPTION	QTY. USED
1	VLV0000076	VALVE, DOUBLE SELECTOR	1
2	GRS0001127	SNAP RING	2
3	GRS0001129	QUAD RING	2
4	WES0003750	3/8 EXT. STAR WASHER-PLTD	1
5	GRS0001478	CLEVIS	1
6	VLV0000500	SELECTOR VALVE	1
7	GRS0000602	SNAP RING	2
8	GRS0001136	QUAD RING	2
9	WES0003750	3/8 EXT. STAR WASHER-PLTD	1
10	GRS0001478	CLEVIS	1
11	VLV0000074	SELECTOR VALVE	1
12	GRS0001127	SNAP RING	2
13	GRS0001129	QUAD RING	2
14	WES0003750	3/8 EXT. STAR WASHER-PLTD	1
15	GRS0001478	CLEVIS	1

Control Valve - Double Spool, Breakdown

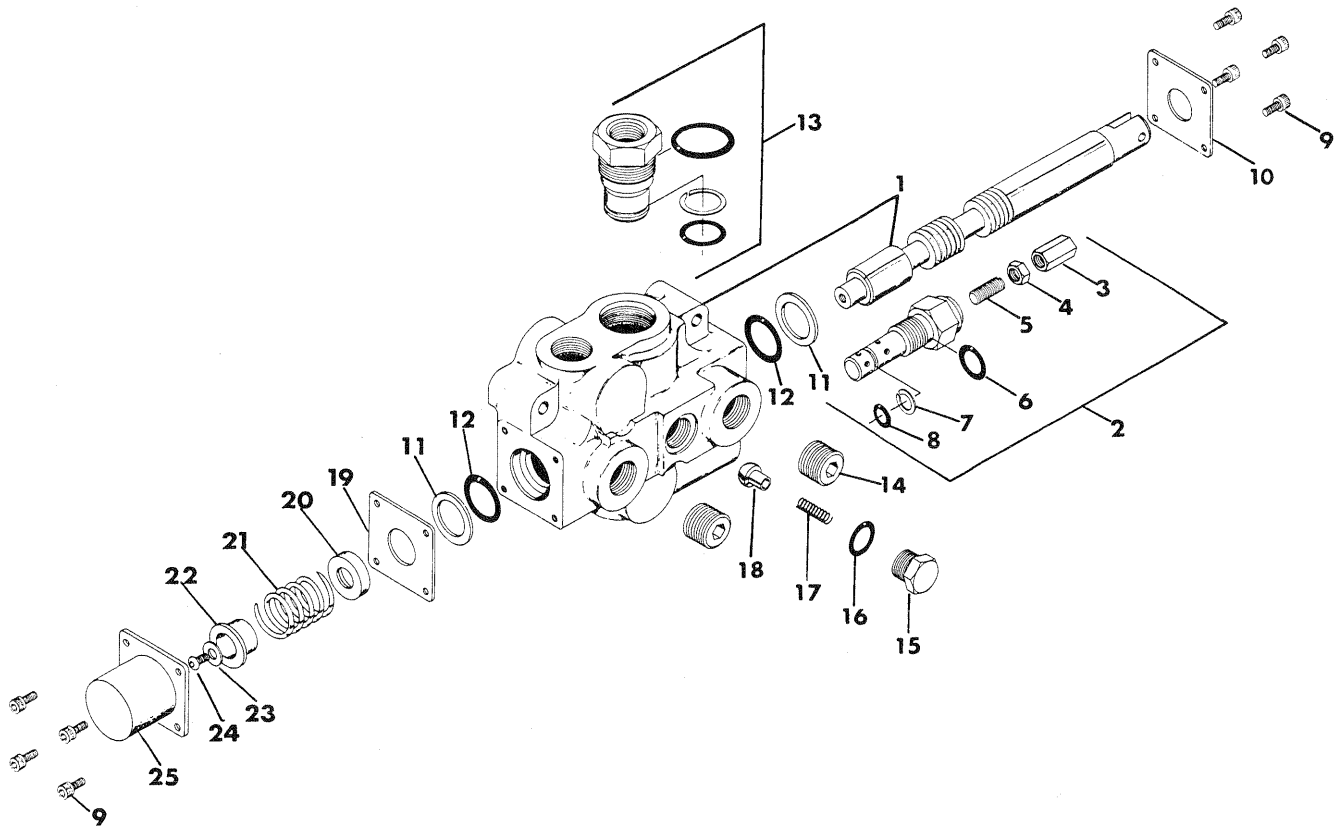
01-516



REF NO.	PART NO.	DESCRIPTION	QTY. USED
1	01-516	CONTROL VALVE	1
2	GRS0000932	SPOOL SEAL	4
3	GRS0000983	RELIEF PLUG CAP	1
4	GRS0000923	RELIEF BODY GASKET	1
5	GRS0002787	PLUG	1
6	GRS0002706	SEAL	1
7	GRS0002781	POPPETT	2
8	GRS0001141	O-RING	1
9	GRS0002028	CHECK PLUG	1
10	GRS0001202	WASHER STOP	2
11	GRS0000913	SPOOL SPRING	2
12	GRS0000911	STOP COLLAR	2
13	GRS0002529	WASHER	2
14	GRSC000510	BOLT	2
15	GRS0000912	DISC	2
16	GRS0000914	STOP	2
17	GRS0000967	BONNET	2

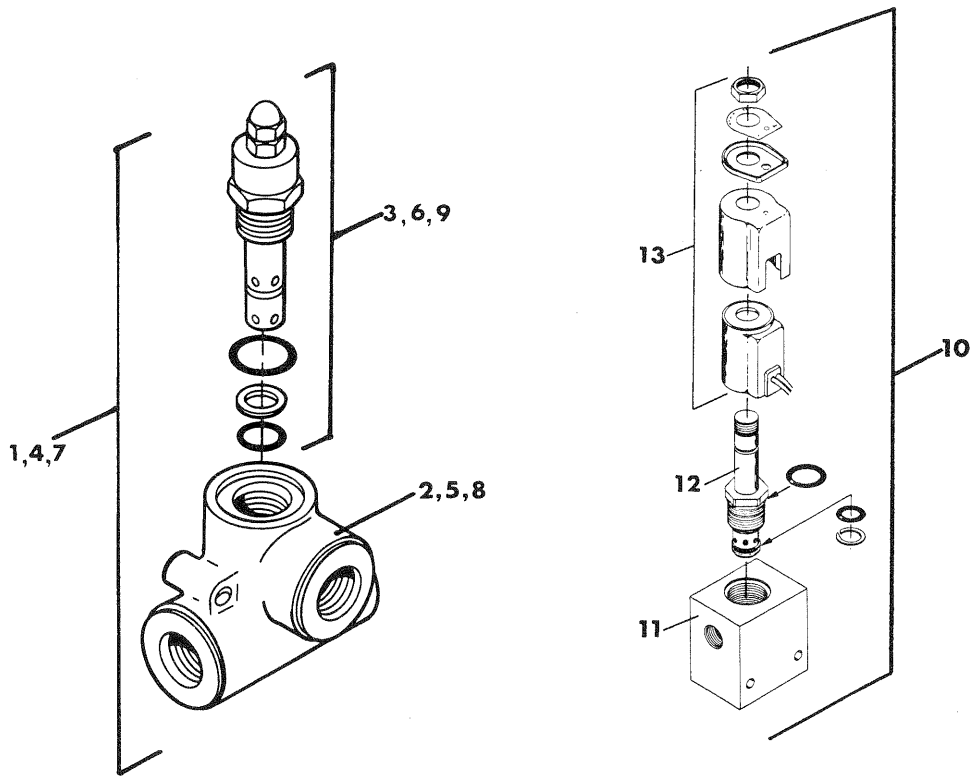
Control Valve - Single Spool, Breakdown

VLV0512143



REF NO.	PART NO.	DESCRIPTION	QTY. USED
1	VLV0512143	CONTROL VALVE, SINGLE SPOOL	1
2	VLV6602502	RELIEF CARTRIDGE	1
3	CAP6780008	CAP NUT	1
4	NCJ2201304	JAM NUT	1
5	STS22007.09	SET SCREW	1
6	RNG2400116	ORING	1
7	RNG2401915	ORING, BACKUP	1
8	RNG2400015	ORING	1
9	SC00170301	SCREW, FLAT HEAD SOCKET	8
10	MNT0022068	PRINCE P/U VLV ROD BOOT MT-BBR	1
11	RNG6705010	ORING, BACKUP	2
12	RNG2400213	ORING	2
13	SLV6603124	ADAPTER SLEEVE W/ORINGS	1
14	HYD3169060	3/4 NPT HEX SOCKET PLUG	2
15	PLU6716001	CHECK PLUG	1
16	RNG2400908	ORING	1
17	SPG6703007	SPRING	1
18	VLV6701001	POPPET	1
19	PLT6705003	RETAINING PLATE	1
20	COL6714001	SPOOL COLLAR	1
21	SPG6703001	SPOOL SPRING	1
22	COL6714011	STOP COLLAR	1
23	WCT6705004	WASHER	1
24	SBH2200951	BUTTON HEAD SCREW	1
25	CAP6705005	END CAP	1

Relief And Roller Rack Release Valves, Breakdown



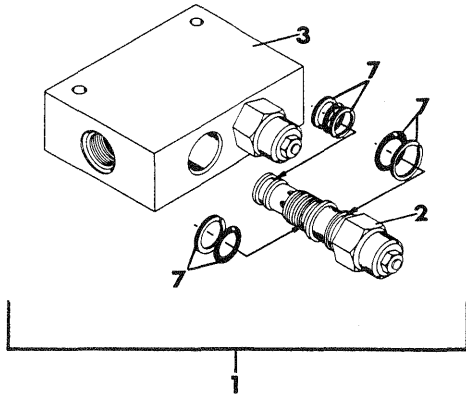
01-506, 01-514, VLV0001175

VLV8500509

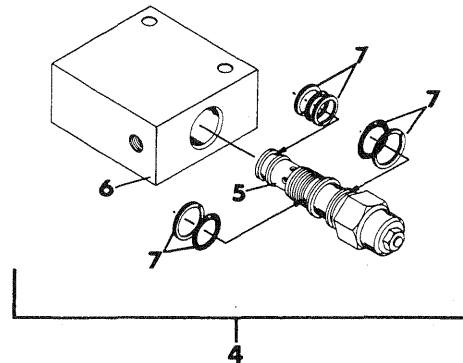
REF NO.	PART NO.	DESCRIPTION	QTY. USED
1	01-506	RELIEF VALVE 500PSI	1
2	VLV0001R23	VALVE BODY 1/2" NPT PORTS	1
3	VLV0000016	ADJ CARTRIDGE F/01-506 REL VLV	1
4	01-514	RELIEF VALVE 1500 PSI	1
5	VLV0001R23	VALVE BODY 1/2" NPT PORTS	1
6	VLV0000017	ADJ CARTRIDGE F/01-513 REL VLV	1
7	VLV0001175	RELIEF VALVE 3/4 PORT 2000PSI	1
8	VLV0001R24	VALVE BODY 3/4" NPT PORTS	1
9	VLV0000017	ADJUSTABLE CARTRIDGE F/REL VLV	1
10	VLV8500509	VALVE W/3/8" NPT-85005009	1
11	VLV3010206	VALVE BODY 3/8" NPT PORTS	1
12	VLV8502355	VALVE CARTRIDGE LESS COIL	1
13	COI3961003	SOLENOID COIL	1

Counter Balance Valves, Breakdown

VLV0000022



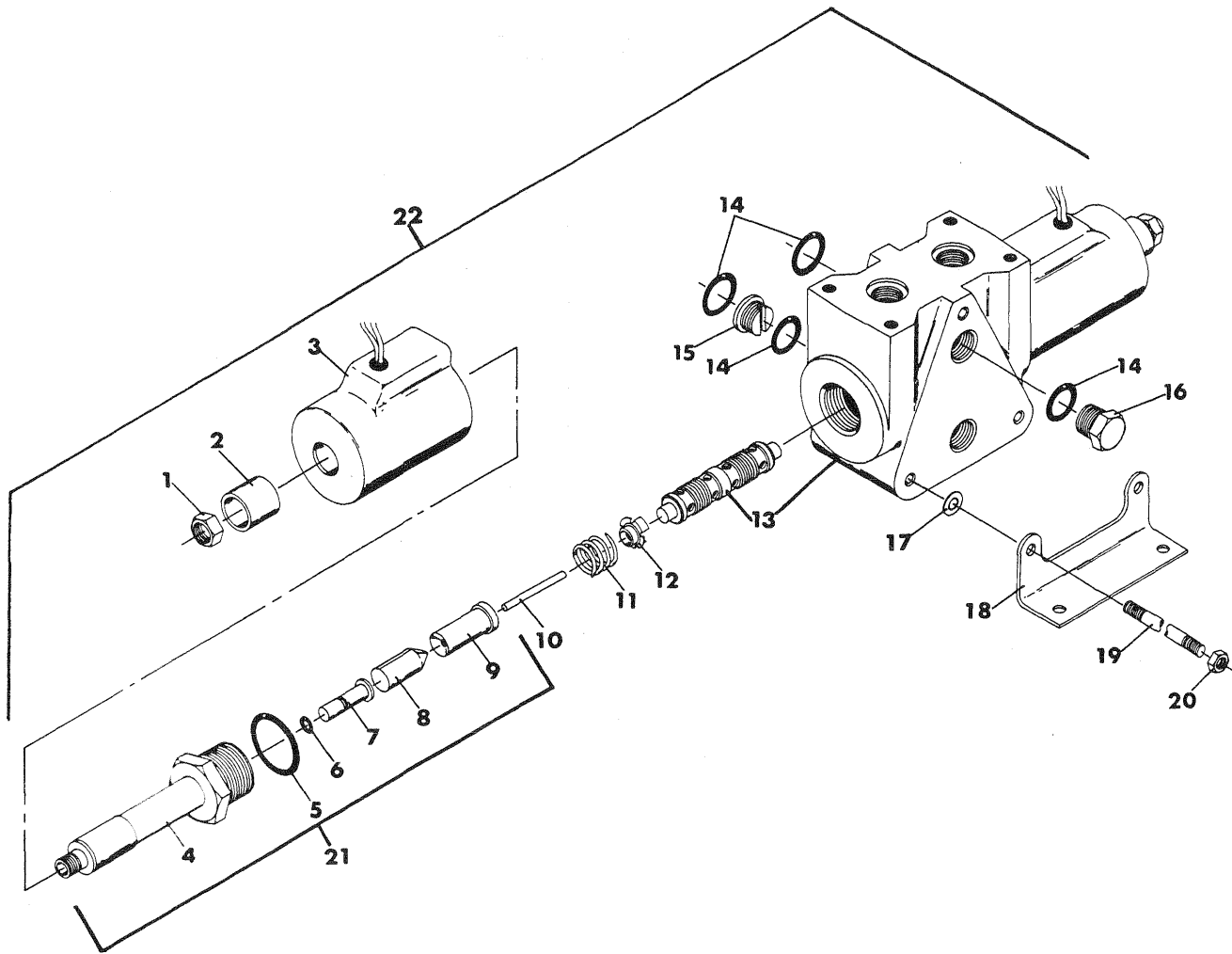
VLV0000006



REF NO.	PART NO.	DESCRIPTION	QTY. USED
1	VLV0000022	VALVE-DUAL COUNTER BALANCE	1
2	VLV2200LAN	COUNTERBALANCE VALVE CARTRIDGE	1
3	VLV2200YAK	DUAL COUNTERBALANCE VALVE BODY	1
4	VLV0000006	COUNTER BALANCE VALVE	1
5	VLV2200LAN	COUNTERBALANCE VALVE CARTRIDGE	1
6	VLV6000B8C	COUNTERBALANCE VALVE BODY	1
7	SEL00000T2	SEAL KIT FOR VLV 6 & VLV 22	A/R

Stack Valves, Breakdown

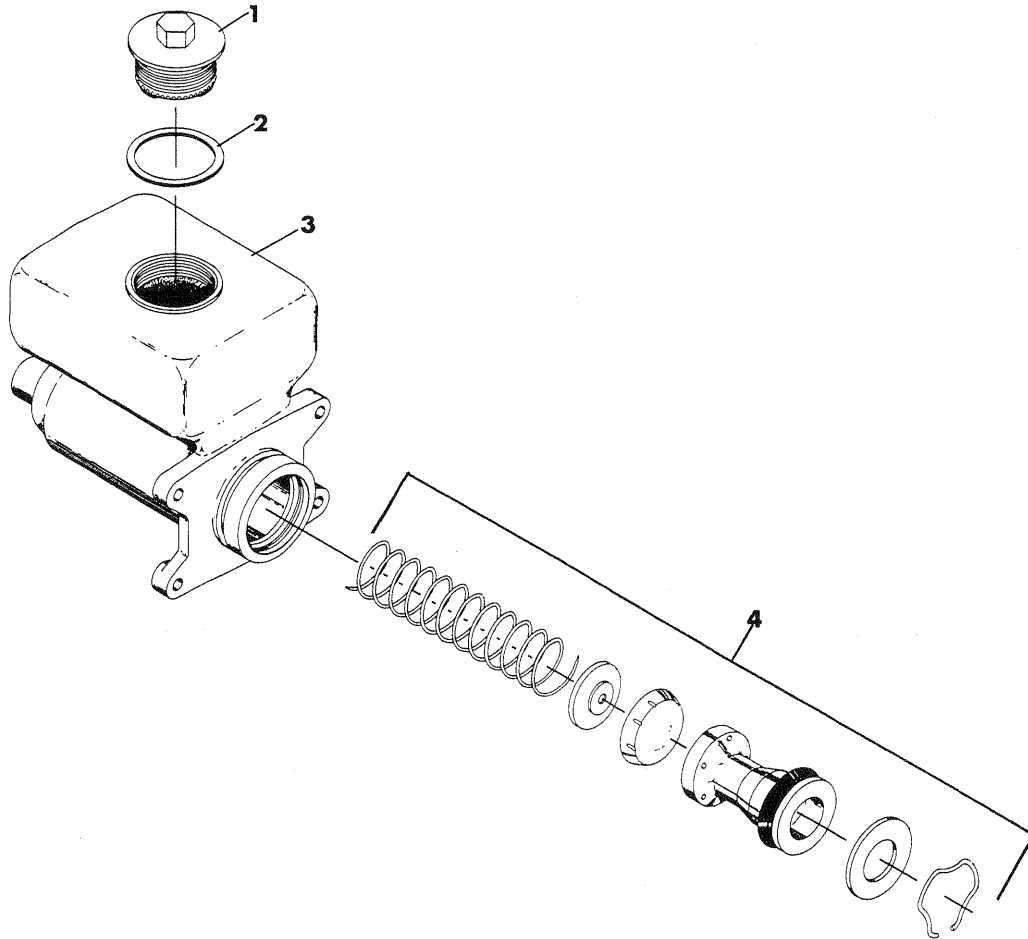
VLV481313S



REF NO.	PART NO.	DESCRIPTION	QTY. USED
1	VLV1006024	NUT	2
2	VLV4014550	SLEEVE	2
3	03-142	SOLENOID F/FPS 4013 VALVE	2
4	VLV6006090	TUBE ASSEMBLY	2
5	SEL0102916	TUBE O-RING	2
6	SEL0101008	BUTTON O-RING	2
7	VLV4014130	BUTTON	2
8	VLV4019950	PLUNGER	2
9	VLV4019960	PLUG	2
10	VLV4020051	PIN	2
11	VLV4015410	SPRING	2
12	VLV6002880	SPRING RETAINER	2
13	VLV4014370	VALVE BODY AND SPOOL	1
14	SEL6008840	SEAL KIT SETS F/FPS	A/R
15	VLV4022030	SERIES PLUG	1
16	VLV1004005	PLUG	1
17	SHM4023150	SPACER FOR STACK VALVES	A/R
18	16-138	MOUNTING BRACKET F/SOLEN VALVE	2
19	R080003125	5/16 NC REDDI BOLT-PLTD X 10"	3
20	NCH0000313	5/16 NC HEX NUT - PLATED	6
21	VLV6013080	TUBE KIT	A/R
22	VLV0004813	VALV-FPS-DBL SOLENOID-SING BNK	1

Master Brake Cylinder, Breakdown

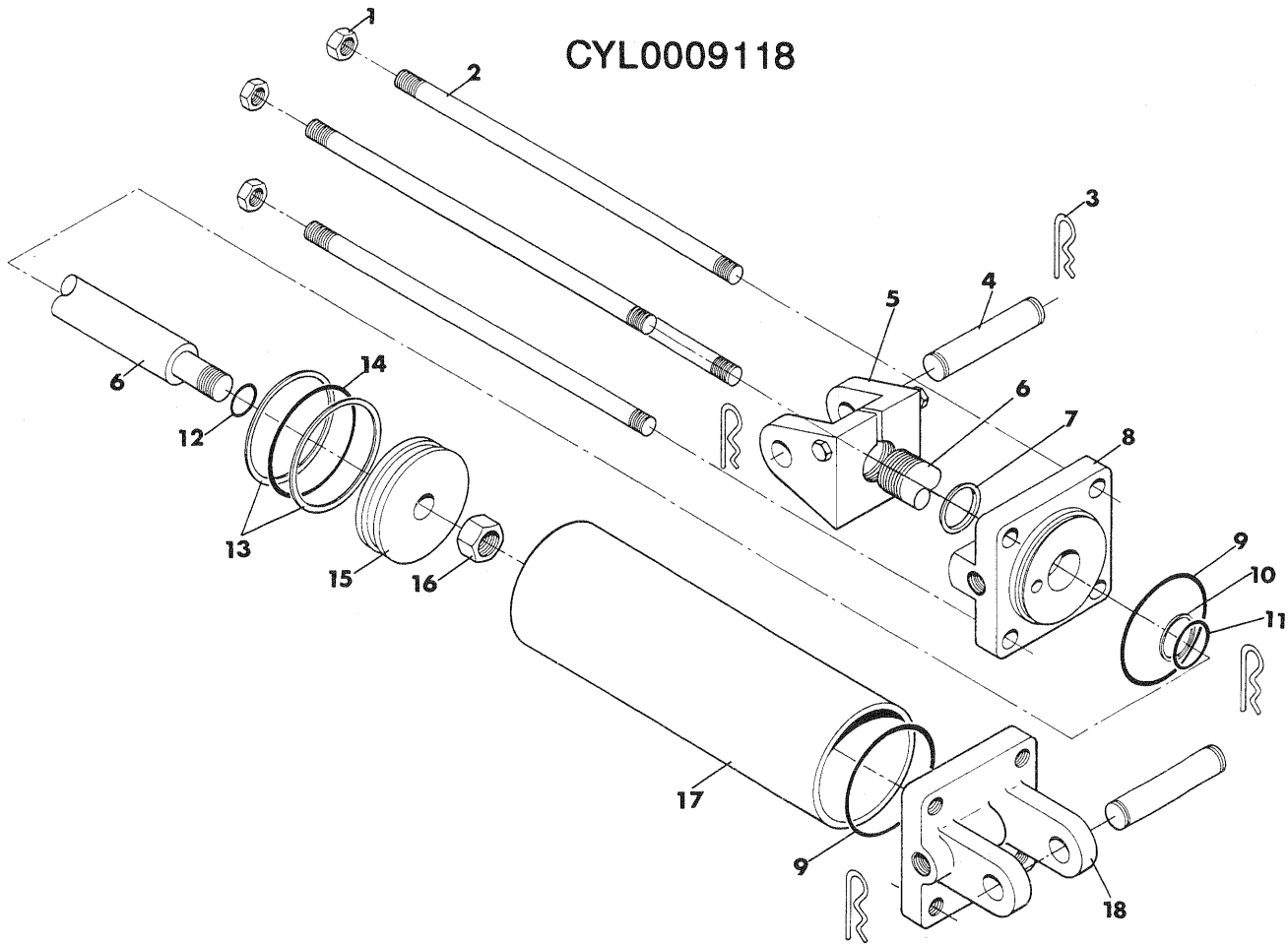
CYL0027305



REF NO.	PART NO.	DESCRIPTION	QTY. USED
1	WAG0F16500	CAP	1
2	WAG0006019	GASKET	1
3	CYL0027305	MASTER BRAKE CYLINDER COMPLETE	1
4	WAG0F26110	REPAIR KIT, MINUS CHECK VALVE	A/R

Pickup Hydraulic Cylinder, Breakdown

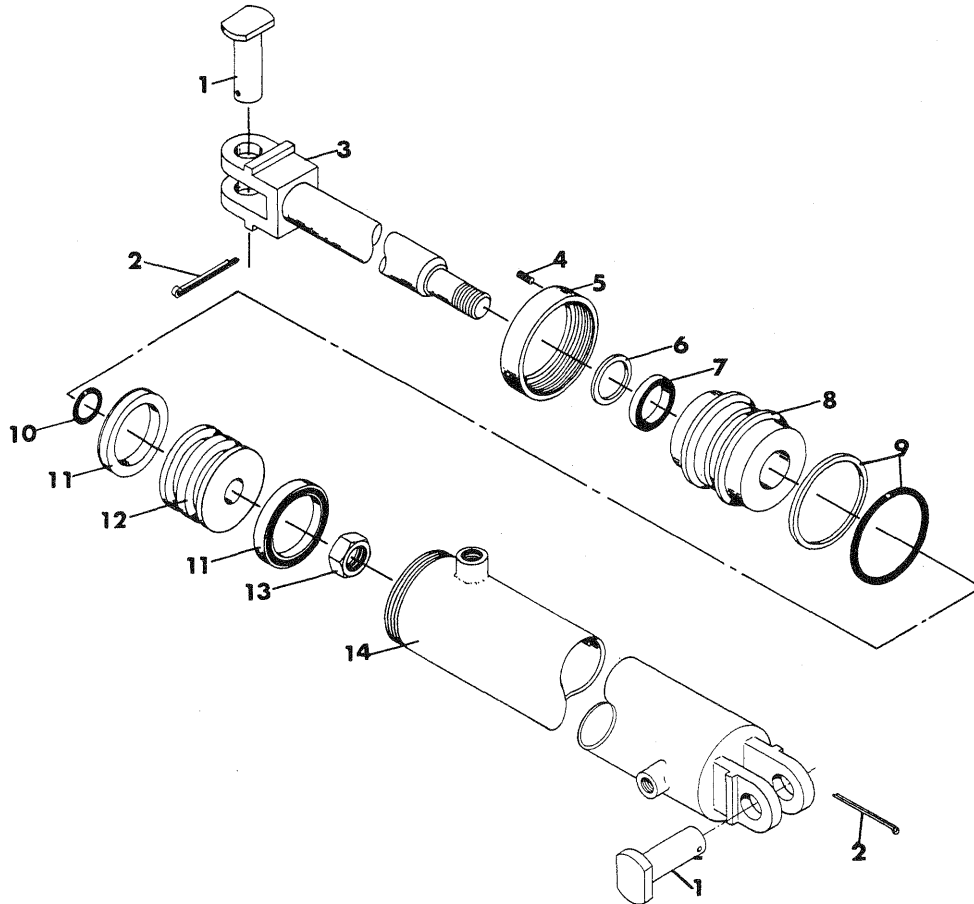
CYL0009118



REF NO.	PART NO.	DESCRIPTION	QTY. USED
1	NCH0005000	1/2" NC HEX NUT	4
2	PMC1721221	TIE ROD	4
3	PMC1904002	HAIR PIN CLIP	4
4	PMC1904001	CLEVIS PIN	2
5	CYL1000018	CLEVIS	1
6	PMC1060009	PISTON ROD	1
7	PMC2501218	ROD WIPER	1
8	PMC8130005	GLAND	1
9	PMC2401330	O-RING	2
10	PMC2405218	O-RING BACKUP	1
11	PMC2400218	O-RING	1
12	PMC2400018	O-RING	1
13	PMC2405330	O-RING BACKUP	2
14	PMC2400330	O-RING	1
15	PMC7130004	PISTON	1
16	PMC2200208	LOCK NUT	1
17	PMC5130019	TUBE	1
18	CYL1413001	BASE END F/CYL9118 HYD CYL	1
19	SEL0009100	SEAL KIT F/CYL0009118	A/R

Bale Tilt Hydraulic Cylinder, Breakdown

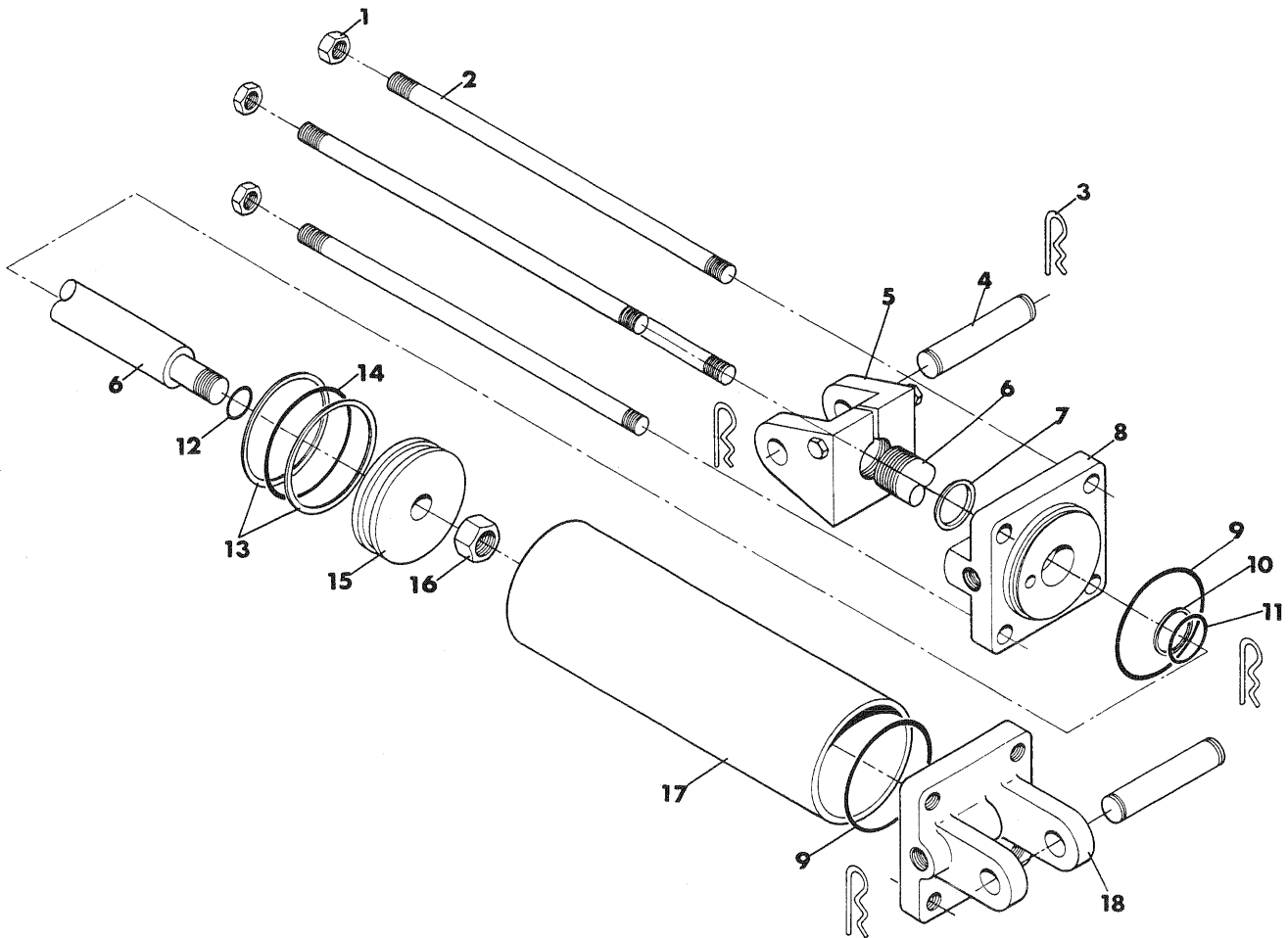
CYLTC2530J



REF NO.	PART NO.	DESCRIPTION	QTY. USED
1	TC 000025P	CLEVIS PIN	2
2	COT0000805	3/16 X 2 COTTER PIN	2
3	TC 25S0175	SHAFT ASSY, 1-3/4" X 30" ROD	1
4	TC 00025SC	SET SCREW	1
5	TC 00025EC	THREADED END CAP	1
6	TC 25RW175	SHAFT ROD WIPER, 1-3/4" ROD	1
7	TC 25US175	SHAFT PACKING, 1-3/4" ROD	1
8	TC 25E0175	SHAFT HEAD, 1-3/4" ROD	1
9	TC 0000250	HEAD O-RING ASSEMBLY	1
10	TC 25S0175	SMALL O-RING, 1-3/4" ROD	1
11	TC 00025UP	PISTON PACKING (SET)	1
12	TC 000025V	PISTON	1
13	TC 000025N	PISTON LOCK NUT	1
14	TC 002530J	TUBE ASSEMBLY 2-1/2" X 30"	1
15	SELO002530	SEAL KIT F/CYLTC2530J	A/R

Push Back Hydraulic Cylinder, Breakdown

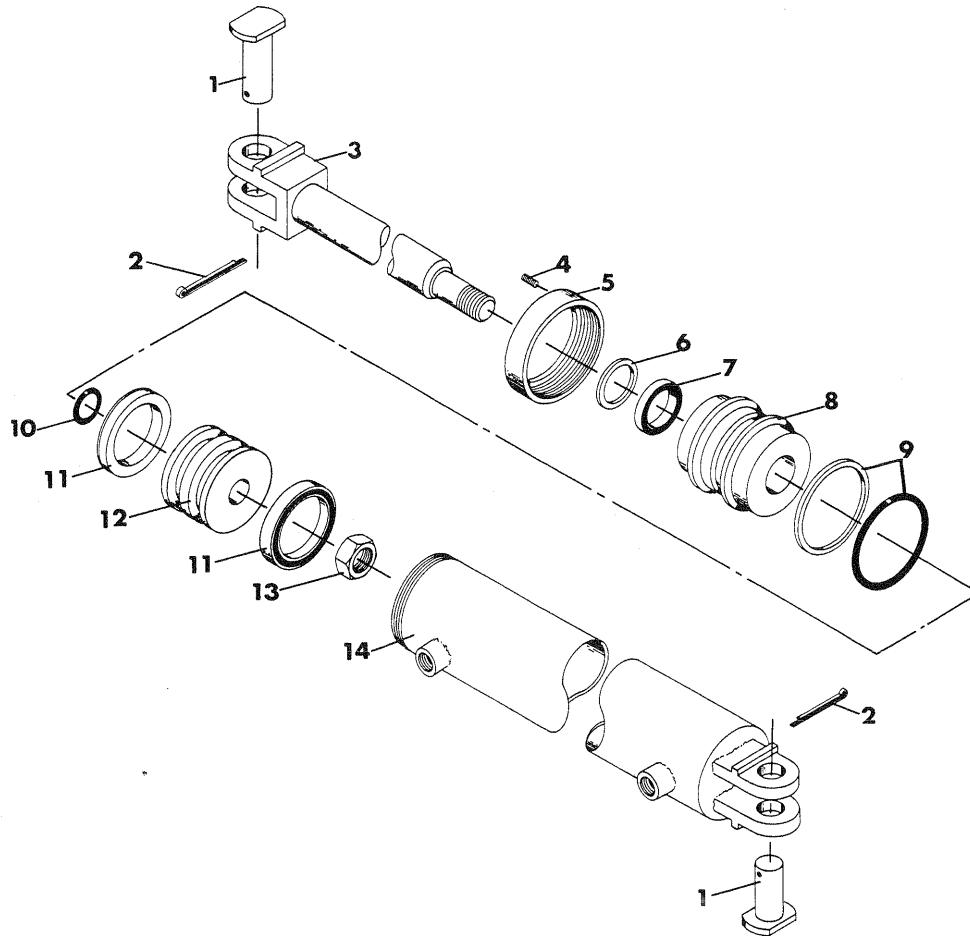
CYL0009320



REF NO.	PART NO.	DESCRIPTION	QTY. USED
1	NCH0005000	1/2" NC HEX NUT	4
2	PMC1721241	TIE ROD	4
3	PMC1904002	HAIR PIN CLIP	4
4	PMC1904001	CLEVIS PIN	2
5	CYL1000018	CLEVIS	1
6	PMC1070017	PISTON ROD	1
7	PMC2501220	ROD WIPER	1
8	PMC8170178	GLAND, (SAE)	1
9	PMC2401338	O-RING	2
10	PMC2405220	O-RING BACKUP	1
11	PMC2400220	O-RING	1
12	PMC2400018	O-RING	1
13	PMC2405338	O-RING BACKUP	2
14	PMC2400338	O-RING	1
15	PMC7170005	PISTON	1
17	PMC5170015	TUBE	1
18	PMC1417023	BUTT, (SAE)	1
19	SEL0009300	SEAL KIT F/CYL0009320	A/R

Load Push Off Hydraulic Cylinder, Breakdown

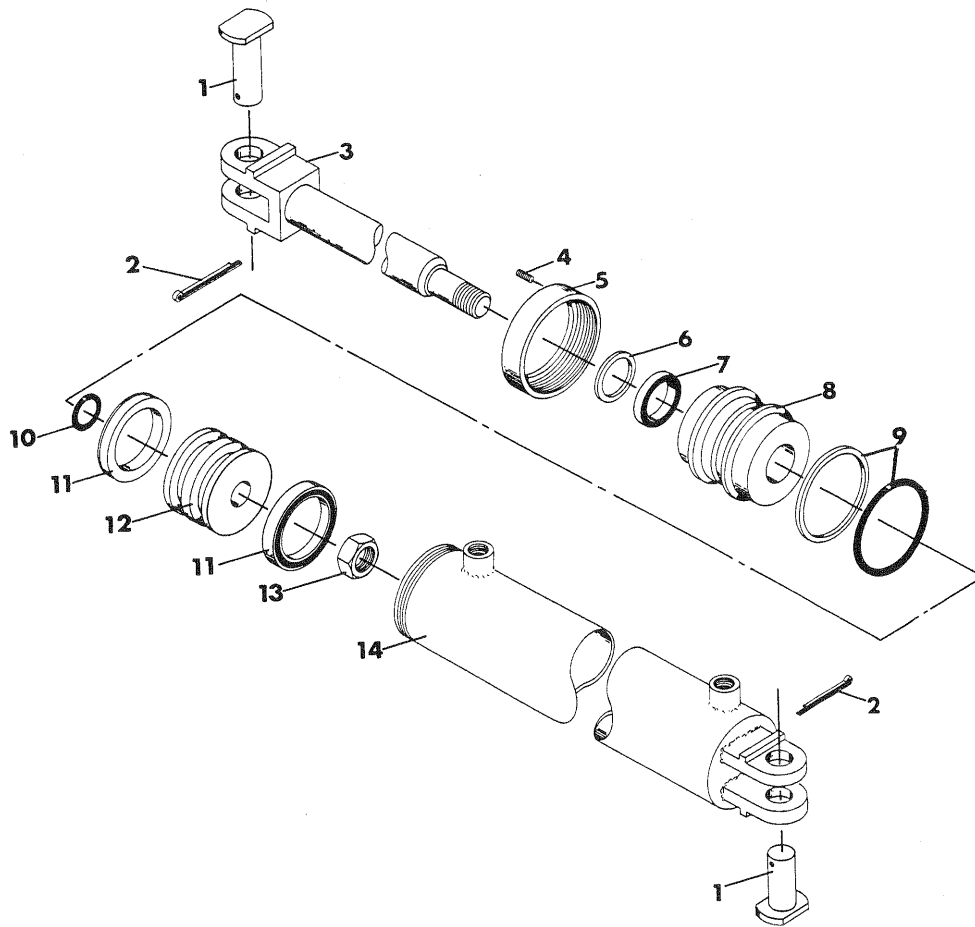
CYL00TC260



REF NO.	PART NO.	DESCRIPTION	QTY. USED
1	TC 000002P	CLEVIS PIN	2
2	COT0000805	3/16 X 2 COTTER PIN	2
3	TC 2S00125	SHAFT ASSY, 1-1/4" X 60" ROD	1
4	TC 00002SC	SET SCREW	1
5	TC 00002EC	THREADED END CAP	1
6	TC 2RW0125	SHAFT ROD WIPER, 1-1/4" ROD	1
7	TC 2US0125	SHAFT PACKING, 1-1/4" ROD	1
8	TC 2E00125	SHAFT HEAD, 1-1/4" ROD	1
9	TC 0000020	HEAD O-RING ASSEMBLY	1
10	TC 2S00125	SMALL O-RING, 1-1/4" ROD	1
11	TC 00002UP	PISTON PACKING (SET)	1
12	TC 000002V	PISTON	1
13	TC 000002N	PISTON LOCK NUT	1
14	TC 000260C	TUBE ASSEMBLY, 2" X 60"	1
15	SELO000KT2	SEAL KIT	A/R

Bed Tilt Hydraulic Cylinder, Breakdown

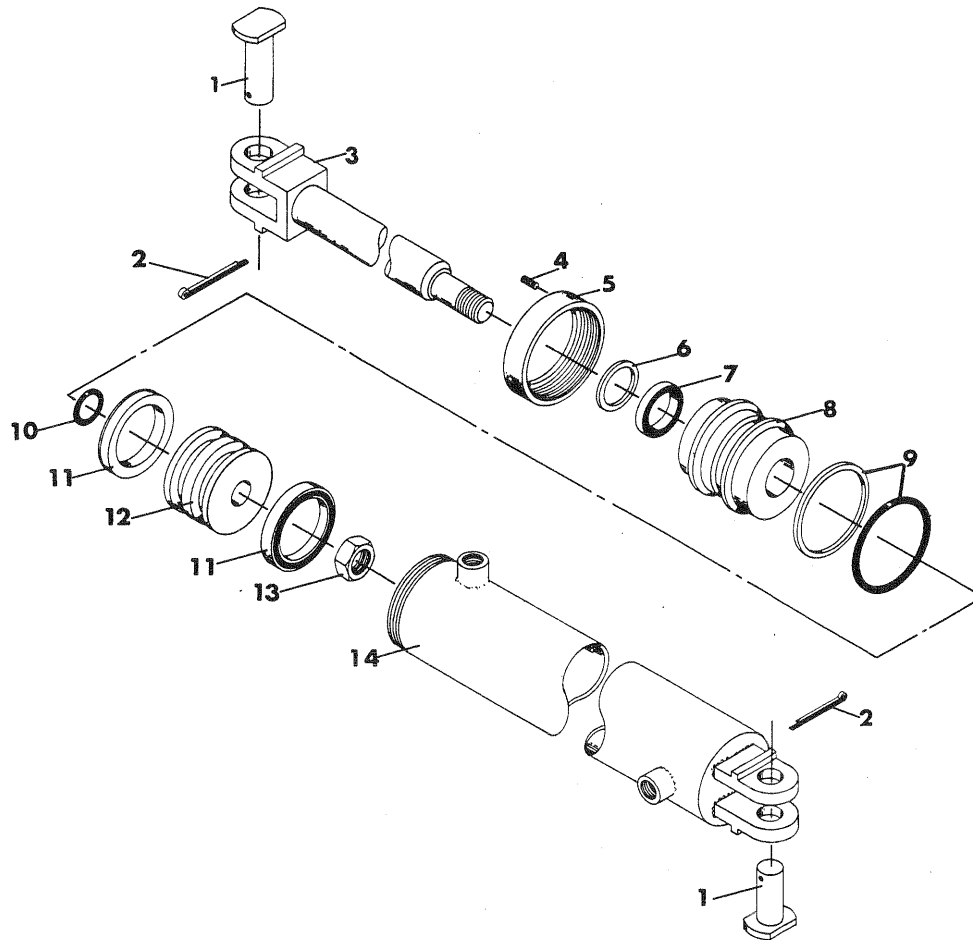
CYL00TC432



REF NO.	PART NO.	DESCRIPTION	QTY. USED
1	TC 000004P	CLEVIS PIN	2
2	COT0000805	3/16 X 2 COTTER PIN	2
3	TC 4S01625	SHAFT ASSY, 1-5/8" X 32"	1
4	TC 00004SC	SET SCREW	1
5	TC 00004EC	THREADED END CAP	1
6	TC 4RW1625	SHAFT ROD WIPER, 1-5/8" ROD	1
7	TC 4US1625	SHAFT PACKING, 1-5/8" ROD	1
8	TC 4E01625	SHAFT HEAD, 1-5/8" ROD	1
9	TC 0000040	HEAD O-RING ASSEMBLY	1
10	TC 4S01625	SMALL O-RING, 1-5/8" ROD	1
11	TC 00004UP	PISTON PACKING (SET)	1
12	TC 000004V	PISTON	1
13	TC 000004N	PISTON LOCK NUT	1
14	TC 000432C	TUBE ASSEMBLY, 4" X 32"	1
15	SELO000KT4	SEAL KIT FOR CYL00TC432	A/R

Side Pusher Hydraulic Cylinder, Breakdown

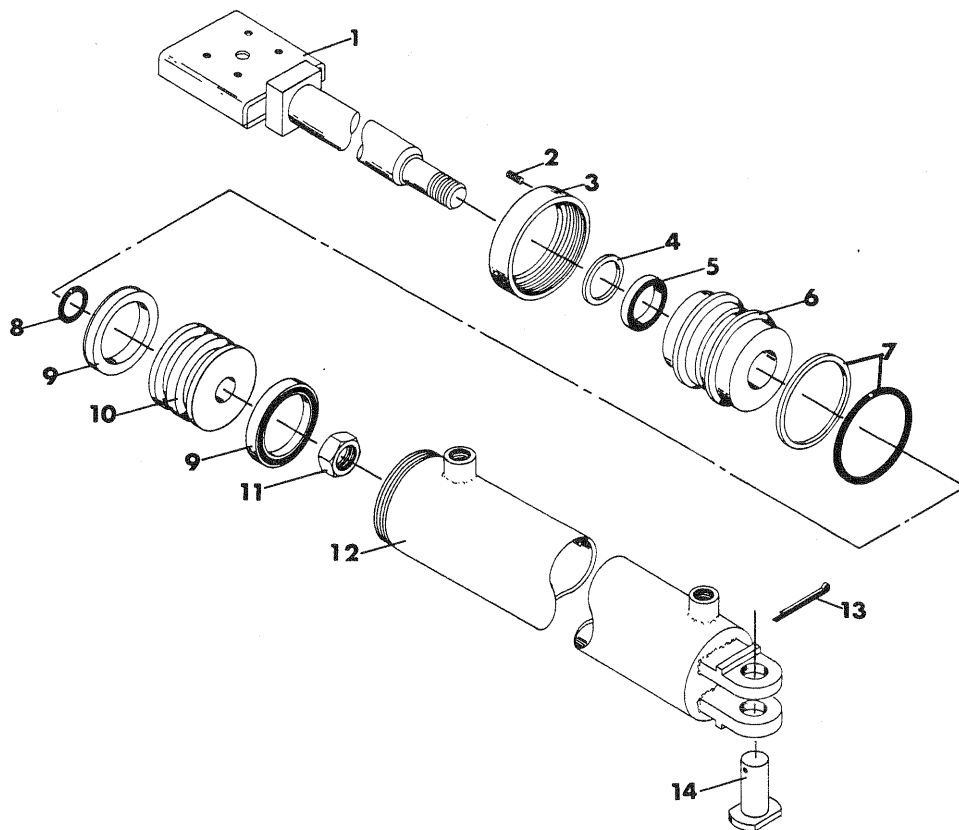
CYLTC17552



REF NO.	PART NO.	DESCRIPTION	QTY. USED
1	TC 000017P	CLEVIS PIN	2
2	COT0000805	3/16 X 2 COTTER PIN	2
3	TC 17S0125	SHAFT ASSY, 1-1/4" X 52"	1
4	TC 00017SC	SET SCREW	1
5	TC 00017EC	THREADED END CAP	1
6	TC 17RW125	SHAFT ROD WIPER, 1-1/4" ROD	1
7	TC 17US125	SHAFT PACKING, 1-1/4" ROD	1
8	TC 17E0125	SHAFT HEAD, 1-1/4" ROD	1
9	TC 0000170	HEAD O-RING ASSEMBLY	1
10	TC 17S0125	SMALL O-RING, 1-1/4" ROD	1
11	TC 00017UP	PISTON PACKING (SET)	1
12	TC 000017V	PISTON	1
13	TC 000017N	PISTON LOCK NUT	1
14	TC 001752C	TUBE ASSEMBLY, 1-3/4" X 52"	1
15	SELTC17552	SEAL KIT F/CYLTC17552	1

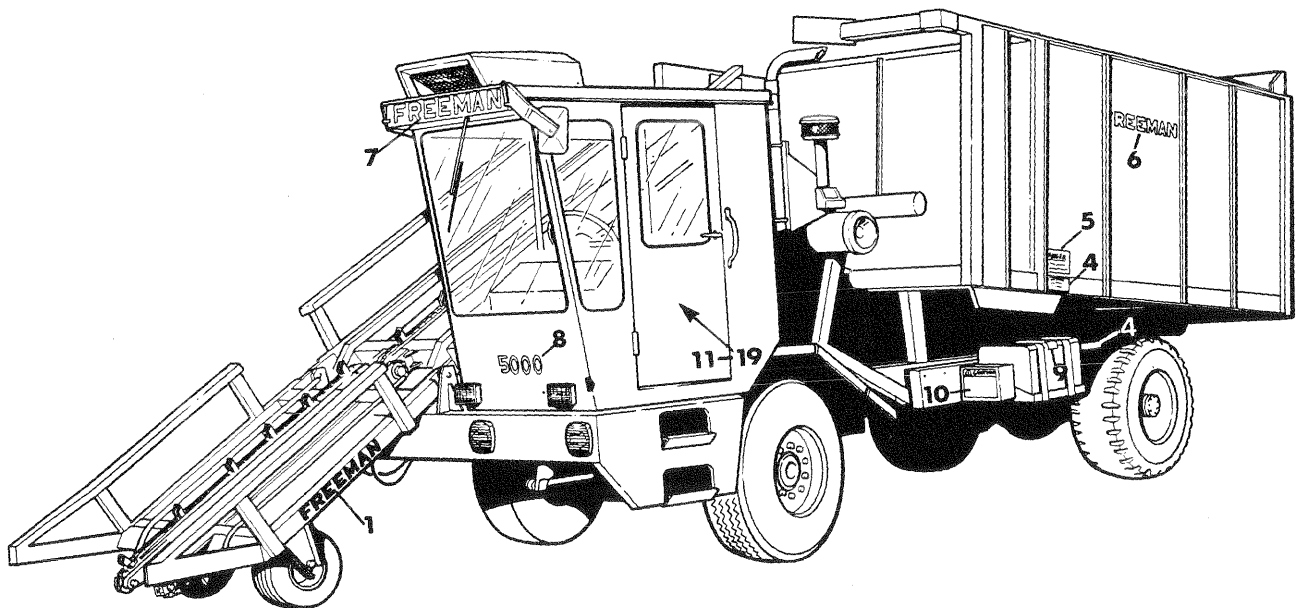
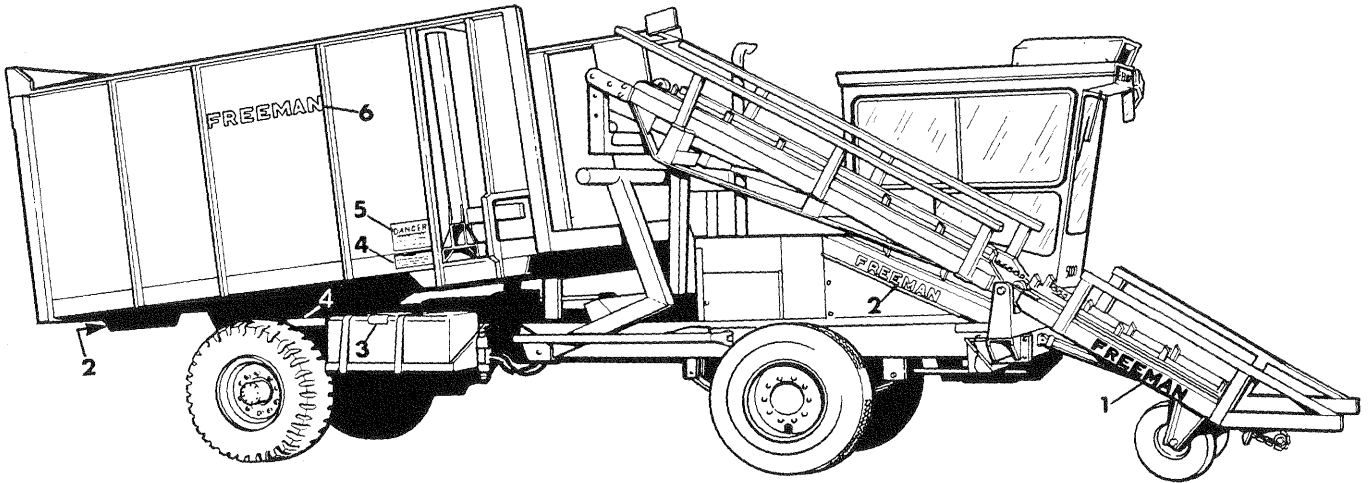
Roller Rack Hydraulic Cylinder, Breakdown

CYL0021196



REF NO.	PART NO.	DESCRIPTION	QTY. USED
1	CYL2119601	ROLLER RACK CYL ROD ASSY	1
2	TC 00002SC	SET SCREW	1
3	TC 00002EC	THREADED END CAP	1
4	TC 2RW0125	SHAFT ROD WIPER, 1-1/4" ROD	1
5	TC 2US0125	SHAFT PACKING, 1-1/4" ROD	1
6	TC 2E00125	SHAFT HEAD, 1-1/4" ROD	1
7	TC 0000020	HEAD O-RING ASSEMBLY	1
8	TC 2S00125	SMALL O-RING, 1-1/4" ROD	1
9	TC 00002UP	PISTON PACKING (SET)	1
10	TC 0000C2V	PISTON	1
11	TC 0000C2N	PISTON LOCK NUT	1
12	TC 00C258C	TUBE ASSEMBLY 2" X 58"	1
13	COT0000805	3/16 X 2 COTTER PIN	1
14	TC 000002P	CLEVIS PIN	1
15	SEL0000KT2	SEAL KIT	A/R

Decals



Decals

REF NO.	PART NO.	DESCRIPTION	QTY. USED
1	FD 0007112	FREEMAN DECAL, RED	2
2	FD 0007111	FREEMAN DECAL, WHITE	2
3	FD 0000035	DECAL, "DIESEL FUEL ONLY"	1
4	FD 0023577	BED SAFETY LATCH DECAL - BBR5	4
5	FD 0023574	DECAL-"DANGER-KEEP AWAY" F/OPEN	2
6	FD 0007113	36" X 5" WHITE "FREEMAN" DECAL	2
7	FD 0007114	RED "FREEMAN" DECAL	1
8	FD 0005000	DECAL - "5000"	1
9	FD 0000045	DECAL-HYD TANK OIL LEVEL	1
10	FD 0023473	DECAL, "CAUTION"	1
11	FD 0000041	DECAL-PUSHER & TILT CONTROLS	1
12	FD 0009584	BACKUP ALARM DECAL	1
13	FD 1845101	DECAL-PICKUP UP-DOWN-RUN-STOP	1
14	FD 1845201	DASH DECAL - "BRAKE"	1
15	FD 1845202	DASH DECAL - "LIGHTS"	1
16	FD 1845203	DASH DECAL - "MASTER CYLINDER"	1
17	FD 1845204	DASH DECAL - "FUSES"	1
18	FD 0023578	SAFETY GATE DECAL	1
19	FD 0020210	DECAL-SYSTEM SELECT	1
20	FD 0005001	DECAL SET-BIG BALE ROADSIDER	A/R

INTENTIONALLY BLANK

INTENTIONALLY BLANK

