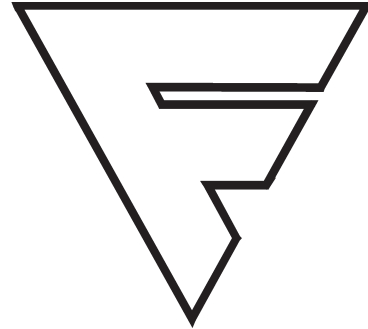



# FREEMAN

---



## PARTS MANUAL 1592D BIG BALER

S/N:	FOR S/N ASC-1592-171 ASC-1592-209 ASC-1592-316
	<b>Important:</b> Be certain to specify the serial number of your Baler when ordering parts.

## SAFETY

Allied systems co. is concerned with safety. Freeman equipment is furnished with safety features. Even with these safety features, personal injury can still occur if the operator is careless when operating or maintaining the machine. There are "CAUTION," "DANGER," and "BE CAREFUL" decals on the machine. Read and pay attention to the decals. Following is a list of precautions that should be taken to help prevent personal injury:

1. KEEP ALL SHIELDS IN PLACE.
2. SHUT OFF TRACTOR ENGINE BEFORE ADJUSTING, LUBRICATING, CLEANING OR SERVICING THE BALER.
3. WAIT FOR ALL MOVEMENT TO STOP BEFORE SERVICING BALER.
4. KEEP HANDS, FEET, AND CLOTHING AWAY FROM POWER DRIVEN PARTS.
5. KEEP ALL SHIELDS INSTALLED AND KEEP CLEAR OF THE P.T.O. DRIVE LINE.
6. KEEP ALL OTHERS OFF BALER.
7. USE APPROPRIATE SIGNS OR WARNING LIGHTS WHEN OPERATING ON HIGHWAYS.
8. MAKE CERTAIN EVERYONE IS CLEAR OF BALER BEFORE ENGAGING P.T.O.
9. DO NOT RIDE ON ANY PART OF THE BALER WHILE IN OPERATION.
10. KEEP HANDS AND FEET CLEAR OF PICKUP.
11. KEEP HANDS AWAY FROM KNOTTER WHEN BALER P.T.O. DRIVE IS ENGAGED.
12. PERIODICALLY CHECK ALL NUTS AND BOLTS FOR TIGHTNESS.
13. ALWAYS USE LIGHTS FOR NIGHT WORK.
14. AS A SAFETY PRECAUTION IT IS RECOMMENDED THAT AN "ABC" FIRE EXTINGUISHER BE CARRIED ON THE BALER AT ALL TIMES. IT IS ALSO RECOMMENDED TO CARRY A FOUR GALLON WATER CONTAINER WITH PUMP, OR AS REQUIRED BY LOCAL AND STATE LAW.
15. AVOID LOOSE CLOTHING WHICH CAN EASILY BE CAUGHT IN MOVING PARTS.
16. REMEMBER 'SAFETY' IS ONLY A WORD UNTIL IT IS PUT INTO PRACTICE.



**WARNING: SOME ILLUSTRATIONS IN THIS PARTS LIST SHOW THE BALER WITHOUT SHIELDS TO ALLOW FOR A BETTER VIEW OF THE AREA BEING ADDRESSED. THE BALER SHOULD NEVER BE OPERATED WITH ANY OF THE SAFETY SHIELDS REMOVED.**

## INTRODUCTION

### HOW TO USE THE MANUAL

This manual contains illustrations and parts lists of components and assemblies which make up the machine. Each page consists of the name of the assembly or component, a reference number, part number, part name and the quantities of the part used.

Assembly or component names help identify the illustration and parts list for each figure. This name also helps locate the general area of the machine where the assembly or component can be located.

Reference numbers shown in a column refers to the numbered parts in the illustration. This ties the part in the illustration to the part

number and description in the parts list. Part numbers are used to identify individual parts or part assemblies

Part descriptions provide the name of the part, plus additional information such as dimensional specification and what parts are grouped together to form part assemblies, which helps you identify the parts.

Quantities listed for each illustration are only for that assemble or component and not the total used per machine.

This parts manual is not intended to be a complete guide for machine service or repairs. Contact your dealer for any of your service or technical requirements.

### UPDATING AND REORDERING MANUALS

The parts lists, illustrations and specifications in this manual are based on the latest information available at the time of publication. Your machine may have product improvement and options not yet contained in this manual.

A copy of this manual is supplied with each machine. Additional copies are available through you dealer. When ordering additional manuals, use the reorder number listed on the front cover and the quantity needed.

### ORDERING PARTS

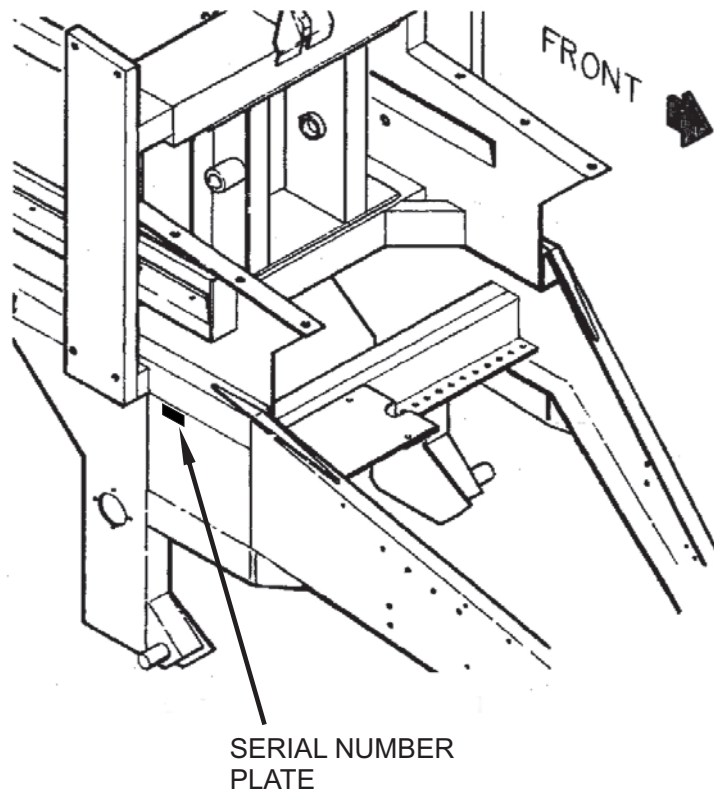
When ordering replacement parts, give the unit serial number, part number, name of part and quantity required. For any further information on parts, service or ordering, consult your local Freeman dealer.

INTENTIONALLY BLANK

## SERIAL NUMBER LOCATION AND IDENTIFICATION

### SERIAL NUMBER LOCATION

The serial number is an important piece of information about the machine and it may be necessary to know it before obtaining correct replacement part. The serial number is located on the right, front tongue brace as shown.



FREEMAN S/N: ASC-1592-007 THROUGH ASC-1592-010



**WARNING: SOME ILLUSTRATIONS IN THIS PARTS LIST SHOW THE BALER WITHOUT SHIELDS TO ALLOW FOR A BETTER VIEW OF THE AREA BEING ADDRESSED. THE BALER SHOULD NEVER BE OPERATED WITH ANY OF THE SAFETY SHIELDS REMOVED.**

**NOTE: ILLUSTRATIONS ARE FOR "ORDERING" INFORMATION ONLY, AND ARE NOT INTENDED FOR USE AS AN ASSEMBLY GUIDE.**

## TABLE OF CONTENTS

**Note: All Limit Switches have been replaced. See 903800 at back of this Parts Manual for part numbers and locations.**

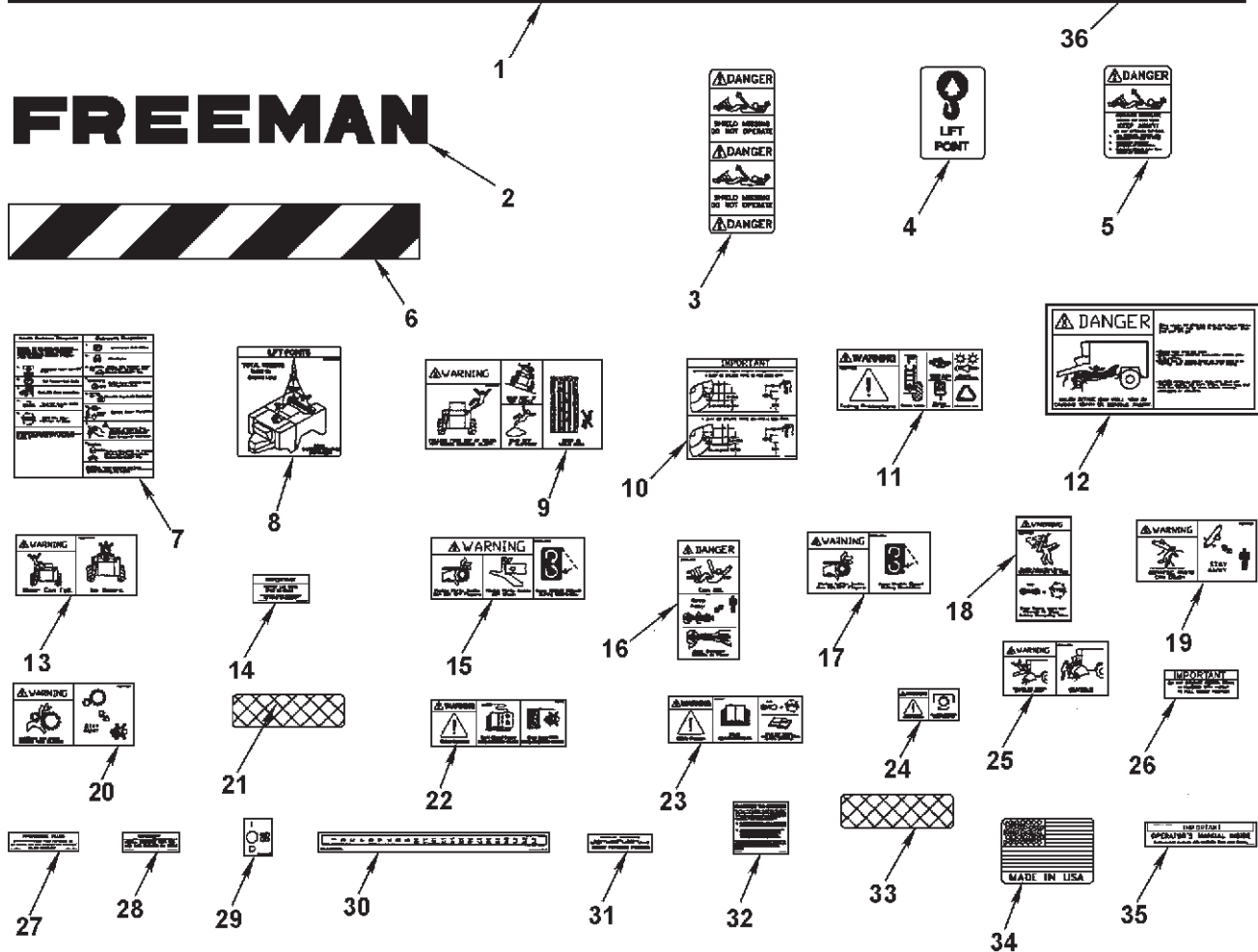
3-PIECE P.T.O. DRIVE LINE ASSEMBLY .....	42
BALL HITCH ASSEMBLY .....	36
BATTERY AND LIGHTS ASSEMBLY .....	144
DECAL ASSEMBLY.....	2
DECAL LOCATION DIAGRAM.....	4
DRIVE UNIT SHIELDS ASSEMBLY .....	32
FEEDER AND PICKUP DRIVE ASSEMBLY .....	70
FEEDER CRANK AND TINES ASSEMBLY.....	60
FEEDER CRANK ASSEMBLY .....	62
FEED FORK ASSEMBLY .....	64
FEED FORK DRIVE ASSEMBLY .....	72
FULL FEED SENSOR ASSEMBLY .....	98
HYDRAULIC PICKUP LIFT ASSEMBLY .....	58
INFEED CHUTE ASSEMBLY .....	66
KNOTTER AND FEED FORK MANIFOLD VALVE/HOSE ASSEMBLIES.....	114
KNOTTER ASSEMBLY, Tailless (ASC-1592-171 ONLY) .....	82
KNOTTER, DOUBLE ASSEMBLY.....	80
KNOTTER DRIVE .....	94
KNOTTER Latch ASSEMBLY.....	76
KNOTTER LUBER ASSEMBLY .....	92
KNOTTER SHAFT ASSEMBLY.....	78
LOWER FRONT SHIELDS ASSEMBLY.....	26
LUBER PUMP & TANK ASSEMBLY.....	96
MAIN FRAME ASSEMBLY .....	6
MAIN SYSTEM HOSE ASSEMBLIES.....	112
MAIN SYSTEM HYDRAULIC FILTER COMPONENTS .....	128
MAIN SYSTEM HYDRAULICS ASSEMBLY.....	108
MAKE-UP CYLINDER COMPONENTS .....	134
MECHANICAL DRIVE UNIT.....	46
MECHANICAL DRIVE UNIT ASSEMBLY CONTINUED .....	48
NEEDLES AND NEEDLE YOKE ASSEMBLY .....	74
OIL COOLING SYSTEMS AND GAUGE PANEL ASSEMBLIES.....	130
OPTIONAL ROLLER BALE CHUTE ASSEMBLY.....	20
PARTS INDEX.....	147
PICKUP AND FEEDER CONTROL VALVE ASSEMBLY .....	68

---

## TABLE OF CONTENTS

PICKUP AUGER AND DRIVE COMPONENTS ASSEMBLY.....	56
PICKUP LIFT CYLINDER COMPONENTS.....	140
PICKUP REEL COMPONENTS ASSEMBLY .....	52
PICKUP SHIELDS AND MOUNTS ASSEMBLY .....	54
PLUNGER ASSEMBLY .....	12
PLUNGER CYLINDER COMPONENTS .....	132
PLUNGER CYLINDERS AND MOUNTS ASSEMBLY.....	10
PLUNGER CYLINDER VALVE ASSEMBLY .....	110
PLUNGER, FEEDER AND KNOTTER HOSE ASSEMBLIES .....	116
PLUNGER LOCATION SENSOR INSTALLATION.....	14
P.T.O. CLUTCH ASSY ASSEMBLY .....	44
P.T.O. SHAFT ASSEMBLY .....	38
P.T.O. SHAFT ASSEMBLY .....	40
REAR BOTTOM CHAMBER LINERS AND BALE CHUTE ASSEMBLY .....	18
RESERVOIR ASSEMBLY.....	126
SERVICE LADDER AND HANDRAILS ASSEMBLY .....	34
SHIELDS AND DOORS ASSEMBLY.....	24
SIDE SHIELDS AND DOOR SUPPORTS ASSEMBLY .....	22
SIDE TENSION CYLINDER COMPONENTS .....	138
TENSION CONTROL HOSE ASSEMBLIES .....	118
TENSION CONTROL TUBE ASSEMBLIES .....	120
TENSION RAILS ASSEMBLY .....	8
TENSION SYSTEM HOSE ASSEMBLIES .....	122
TIRE AND WHEEL ASSEMBLY .....	146
TOP AND BOTTOM TENSION CYLINDER COMPONENTS.....	136
TOP CHAMBER LINERS .....	16
TOP COVERS AND KNOTTER FANS ASSEMBLY .....	30
TWINE BOXES AND BRACKETS ASSEMBLY .....	28
TWINE FINGER DRIVE ASSEMBLY .....	100
TWINE TENSION ASSEMBLY (BOTTOM) .....	102
TWINE TENSION ASSEMBLY (TOP) .....	104
TWINE TENSIONER ASSEMBLY .....	106
UNLOADER VALVE COMPONENTS.....	124
WIND GUARD ASSEMBLY .....	50
WIRE HARNESS LOCATIONS .....	142

DECAL ASSEMBLY

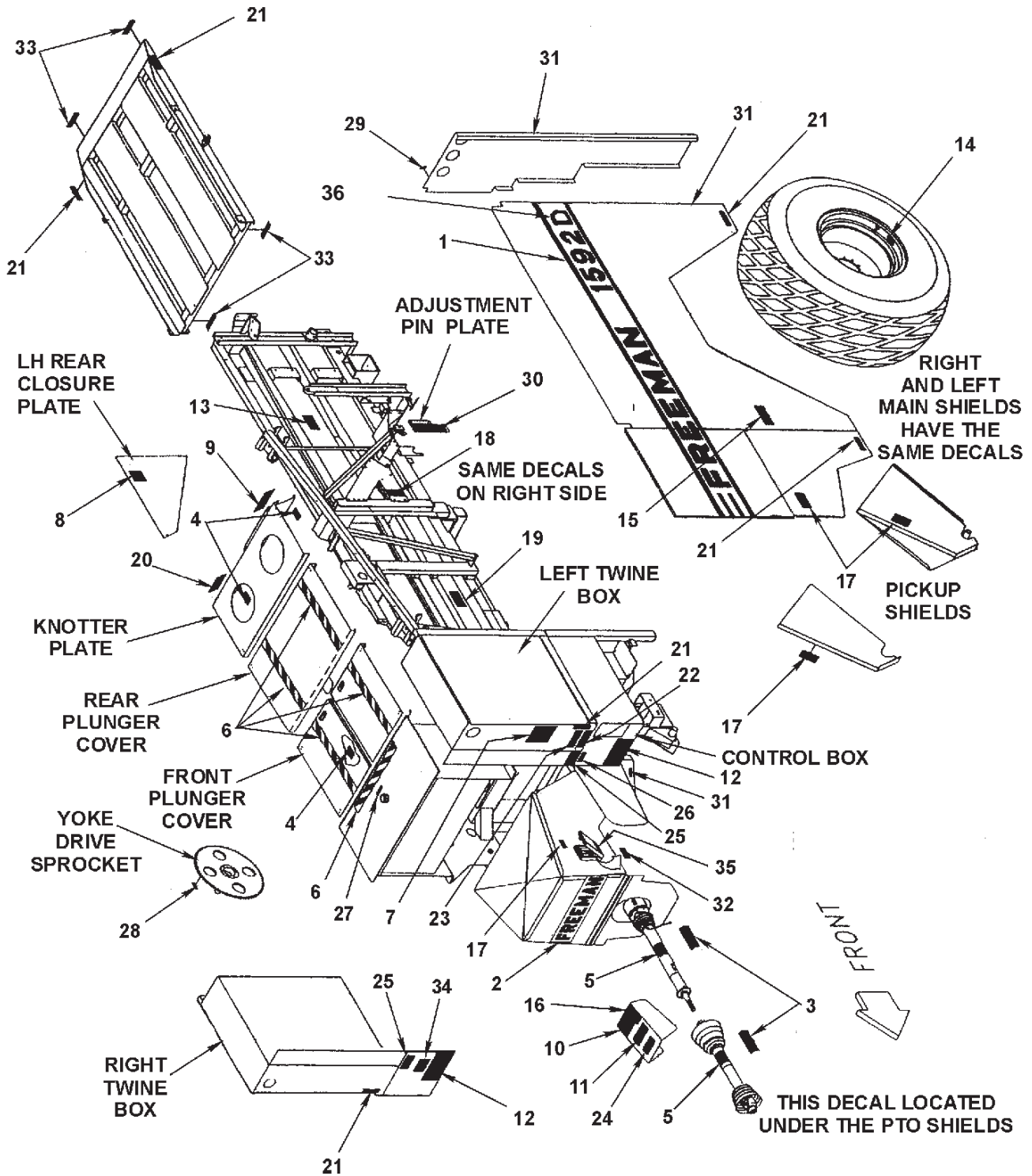




## DECAL ASSEMBLY

REF NO.	PART NO.	DESCRIPTION	QTY. USED	REF NO.	PART NO.	DESCRIPTION	QTY. USED
1	FD 0024865	L. H. FREEMAN 1592 DECAL	1	19	FD7000A923	DECAL-WARNING FORK CRANK	2
	FD 0024866	R. H. FREEMAN 1592 DECALS	1	20	FD7000A936	DECAL-WARNING KNOTTERS	2
2	FD 0007111	25" X 4" WHITE "FREEMAN" DECAL	1	21	FD70000722	DECAL-YELLOW REFLECTOR STICKON	8
3	FD70000108	DECAL-KEEP SHIELDS IN PLACE	2	22	FD7000A932	DECAL-WARNING READ MANUAL	1
4	FD70000445	DECAL-LIFT POINT	3	23	FD7000A937	DECAL-WARNING ALLOW TO STOP	1
5	FD 0023531	"DANGER! ROTATING DEVICE..."	2	24	FD7000A944	DECAL-TOWING PRECAUTION	1
6	FD0505626	DECAL-TAPE BLK/YELLOW 3"	14'	25	FD7000A925	DECAL-WARNING USE LADDER	2
7	FD7000A961	DECAL-SHUTDOWN DIAGNOSTIC	1	26	FD 0029854	DECAL-FEEDER CRANK CAUTION	1
8	FD 0025249	DECAL-HOIST BALER-LIFT POINTS	1	27	FD7000A943	DECAL-OIL REQUIREMENT	1
9	FD7000A920	DECAL-DANGER FALLING HAZARD	1	28	FD 0028042	DECAL-SPROCKET ORIENTATION	1
10	FD7000A952	DECAL-DRAWBAR HITCH	1	29	FD7001A948	DECAL-FAN SWITCH	1
11	FD 0023537	"CAUTION!OPERATE AT 1000 RPM	1	30	FD 0022521	BALE LENGTH ADJ DECAL	1
12	FD7000A897	DECAL-DANGER BALER INTAKE	2	31	FD 0022124	DECAL,PATENT NUMBERS-HAY EQUIP	1
13	FD 0023538	"WARNING!DO NOT RIDE ON..."	1	32	FD7000A983	DECAL-NOTICE TO OWNER	1
14	FD 0023951	DECAL LUG NUT	2	33	FD70000170	DECAL-RED REFLECTOR	4
15	FD7000A933	DECAL-WARNING MOVING,CRUSH	2	34	FD70000434	DECAL-MADE IN USA	1
16	FD7000A919	DECAL-WARNING DRIVELINE	1	35	FD7000A938	DECAL-READ OPERATORS MANUAL	1
17	FD7000A896	DECAL-WARNING MOVING PARTS	6	36	FD0037145B	"D" DECAL	2
18	FD7000A934	DECAL-WARNING NEEDLE FRAME	2				

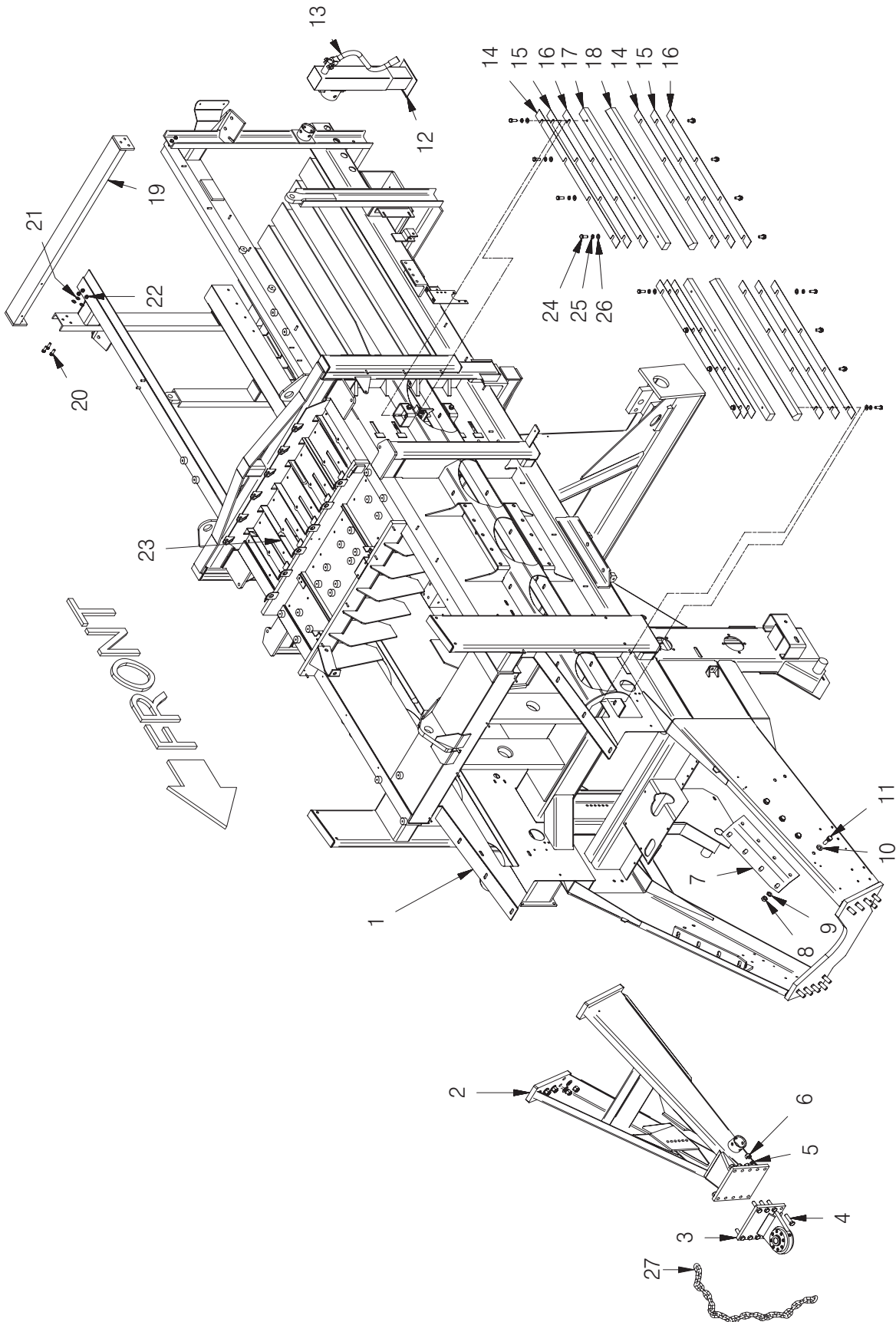
**DECAL LOCATION DIAGRAM**



## DECAL LOCATION DIAGRAM

REF NO.	PART NO.	DESCRIPTION	QTY. USED	REF NO.	PART NO.	DESCRIPTION	QTY. USED
1	FD 0024865	L. H. FREEMAN 1592 DECAL	1	18	FD7000A934	DECAL-WARNING NEEDLE FRAME	2
	FD 0024866	R. H. FREEMAN 1592 DECALS	1	19	FD7000A923	DECAL-WARNING FORK CRANK	2
2	FD 0007111	25" X 4" WHITE "FREEMAN" DECAL	1	20	FD7000A936	DECAL-WARNING KNOTTERS	2
3	FD70000108	DECAL-KEEP SHIELDS IN PLACE	2	21	FD70000722	DECAL-YELLOW REFLECTOR STICKON	8
4	FD70000445	DECAL-LIFT POINT	3	22	FD7000A932	DECAL-WARNING READ MANUAL	1
5	FD 0023531	"DANGER! ROTATING DEVICE..."	2	23	FD7000A937	DECAL-WARNING ALLOW TO STOP	1
6	FD0505626	DECAL-TAPE BLK/YELLOW 3"	14'	24	FD7000A944	DECAL-TOWING PRECAUTION	1
7	FD7000A961	DECAL-SHUTDOWN DIAGNOSTIC	1	25	FD7000A925	DECAL-WARNING USE LADDER	2
8	FD 0025249	DECAL-HOIST BALER-LIFT POINTS	1	26	FD 0029854	DECAL-FEEDER CRANK CAUTION	1
9	FD7000A920	DECAL-DANGER FALLING HAZARD	1	27	FD7000A943	DECAL-OIL REQUIREMENT	1
10	FD7000A952	DECAL-DRAWBAR HITCH	1	28	FD 0028042	DECAL-SPROCKET ORIENTATION	1
11	FD 0023537	"CAUTION!OPERATE AT 1000 RPM	1	29	FD7001A948	DECAL-FAN SWITCH	1
12	FD7000A897	DECAL-DANGER BALER INTAKE	2	30	FD 0022521	BALE LENGTH ADJ DECAL	1
13	FD 0023538	"WARNING!DO NOT RIDE ON..."	1	31	FD 0022124	DECAL,PATENT NUMBERS-HAY EQUIP	1
14	FD 0023951	DECAL LUG NUT	2	32	FD7000A983	DECAL-NOTICE TO OWNER	1
15	FD7000A933	DECAL-WARNING MOVING,CRUSH	2	33	FD70000170	DECAL-RED REFLECTOR	4
16	FD7000A919	DECAL-WARNING DRIVELINE	1	34	FD70000434	DECAL-MADE IN USA	1
17	FD7000A896	DECAL-WARNING MOVING PARTS	6	35	FD7000A938	DECAL-READ OPERATORS MANUAL	1
				36	FD0037145B	"D" DECAL	2

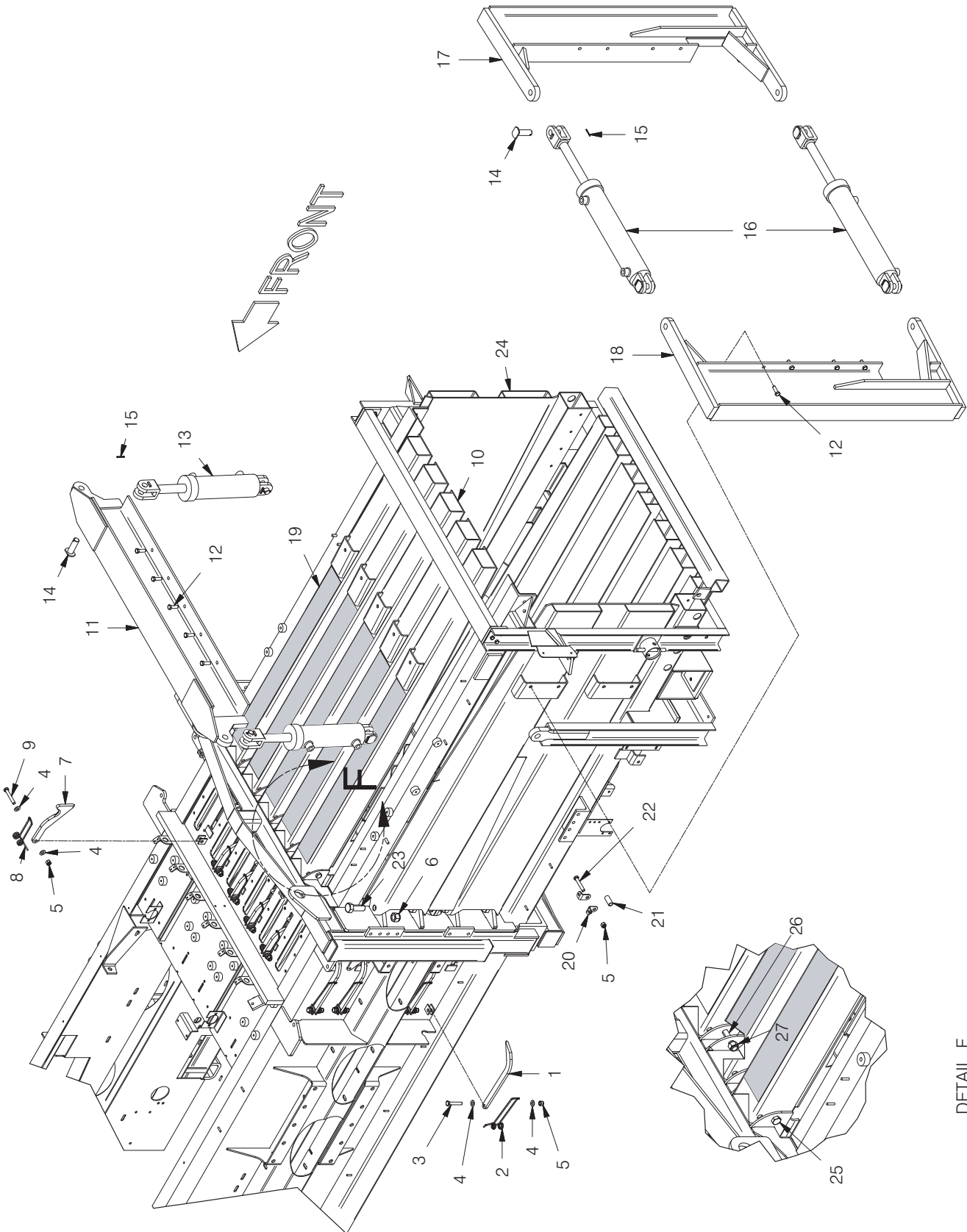
**MAIN FRAME ASSEMBLY**



## MAIN FRAME ASSEMBLY

REF NO.	PART NO.	DESCRIPTION	QTY. USED	REF NO.	PART NO.	DESCRIPTION	QTY. USED
1	901520	FRAME ASSY;1592 DBL KNOTTER	1	14	901638	SHIM 20GA	AR
2	TNG0025604	FRONT TONGUE ASSEMBLY	1	15	901634	SHIM 18GA	AR
	WAS0000118	WASHER	1	16	901637	SHIM 16GA	AR
	NCH0000750	NUT	10	17	901764	BAR, TOP	4
	SFC0000810	CAPSCREW	10	18	901763	BAR, BOTTOM	4
3	900329	HITCH	1	19	YOK0024007	YOKE WLDMT, CHMR	1
4	00271564	CAPSCREW	8	20	SCC0040004	CAPSCREW	6
5	223694	WASHER	8	21	200603	WASHER	6
6	00102639	NUT	8	22	234921	NUT	6
7	SUP0216270	LH FLYWHEEL FRM MNT SUPT-AF/87	1	23	901589	PL, TOP	1
	SUP0216271	RH FLYWHEEL FRM MNT SUPT-AF/87	1	24	239519	WASHER	32
8	235591	NUT	8	25	234665	WASHER	32
9	WAS0000010	WASHER	8	26	234123	CAPSCREW	32
	NMS0000252	NUT	8	27	CHN0000209	CHAIN, SAFETY	1
10	R13811435	WASHER	8		R13811142	CAPSCREW	1
11	SCC0000706	CAPSCREW	8		WIS0007500	WASHER	1
12	252630	JACK (INCLUDES HANDLE)	1		WAS037161A	SAFETY CHAIN WASHER	1
13	253019	HANDLE FOR JACK	1				

**TENSION RAILS ASSEMBLY**

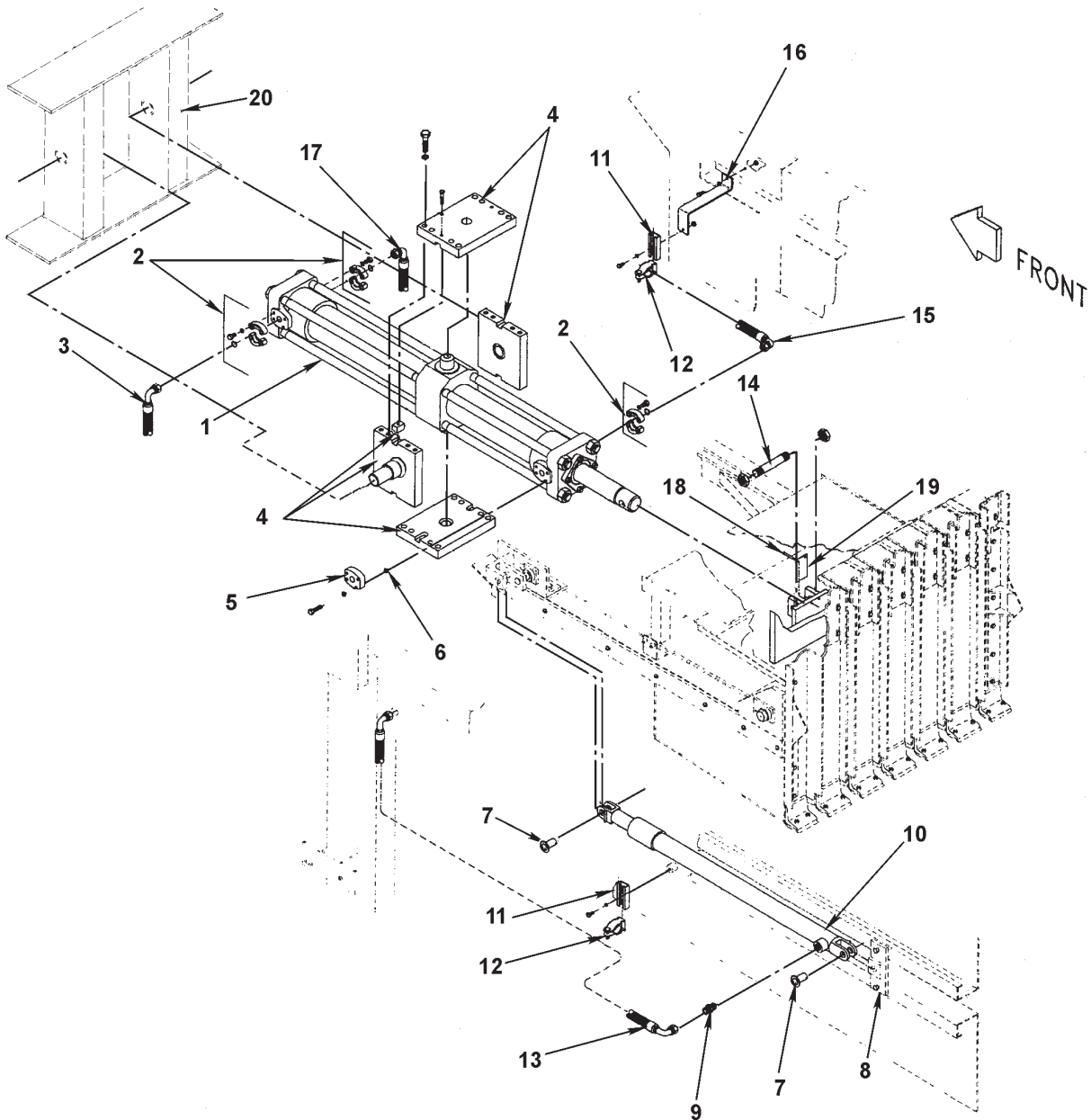


DETAIL F

## TENSION RAILS ASSEMBLY

REF NO.	PART NO.	DESCRIPTION	QTY. USED	REF NO.	PART NO.	DESCRIPTION	QTY. USED
1	DOG0018520	SIDE HAY DOG	8	15	COT0000503	COTTER PIN	8
2	900179	SPRING,HAY DOG	8	16	CYL0TC3516	TC3.5 X 16 HYD CYL	2
3	R13811080	CAPSCREW	8	17	TNS2287201	RIGHT COMPRESSION BEAM	1
4	239519	WASHER	16	18	TNS2287200	LEFT COMPRESSION BEAM	1
5	R13811193	NUT	8	19	STP0002000	STEP COVER-SAFETY WALK 4'	5
6	R13803587	NUT	8	20	MNT037662A	BRACKET	12
7	901598	TOP,HAY DOG	5	21	GUD037663A	PIPE;F/TWINE	6
8	SPG0023160	SIDE HAY DOG SPRING	5	22	R13801850	CAPSCREW	6
9	R13811082	CAPSCREW	5	23	R13801899	CAPSCREW	8
10	TNS0028067	RAIL WLDMT, TOP	5	24	TNS0025988	SIDE TENSION RAIL	2
11	TNS0022468	TOP TENS RAIL COMPRESSION BEAM	1	25	241030	CAPSCREW	2
12	R13811075	CAPSCREW	13	26	TNS0020209	CAPSCREW	2
13	CYL00TC408	TC4 X 8 HYD CYL	2	27	224128	NUT	4
14	TC0000035P	CLEVIS PIN	8				

**PLUNGER CYLINDERS AND MOUNTS ASSEMBLY**

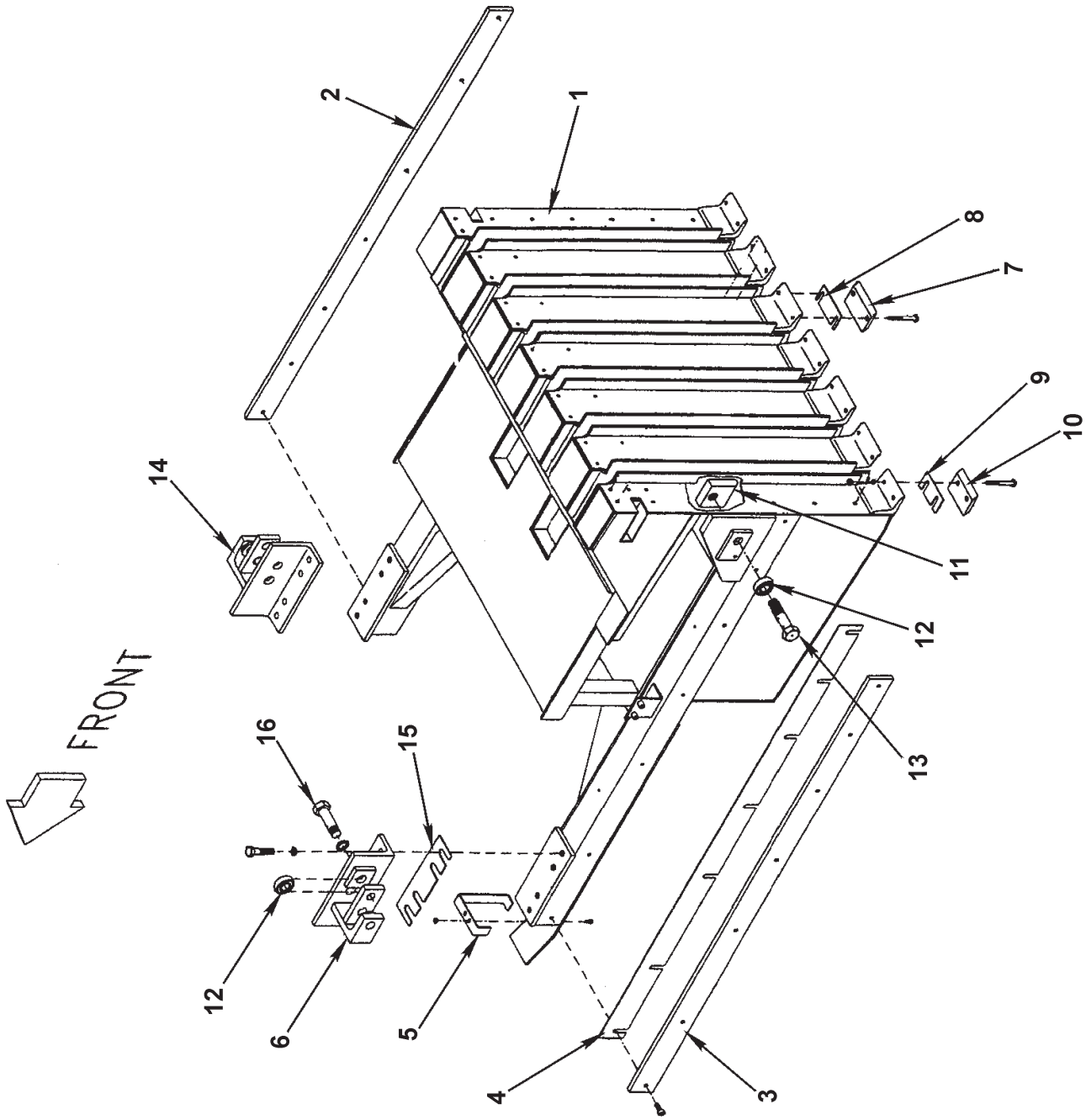




## PLUNGER CYLINDERS AND MOUNTS ASSEMBLY

REF NO.	PART NO.	DESCRIPTION	QTY. USED	REF NO.	PART NO.	DESCRIPTION	QTY. USED
1*	CYL037554E	PLUNGER CYLINDER SUB ASSEMBLY	1	11	MNT0020255	CHANNEL	3
2	FLG0001501	SPLIT FLG W/O-RING & BOLT KIT	3		WLK0000375	WASHER	3
3	HOS0024887	PLUNGER CYLINDER HOSE	1		SCC0030001	CAPSCREW	3
4	FRM037556E	GIMBAL FRAME ASSY	1	12	CLP0100150	HYDRA ZORB HOSE CLAMP	3
	PLT037555D	GIMBAL FRAME CAP PLATE	2	13	HOS0023451	MAKE-UP CYL BASE-FDR LEG BH	2
	PLT035995D	SIDE PLATE	2	14	PIN0024791	PLUNGER CYLINDER PIN	1
	SCC0030006	CAPSCREW	4		NEJ0001125	NUT	4
	WLK0000375	WASHER	4	15	HOS0024889	PLUNGER CYLINDER ROD END HSE	1
	SCC0080009	CAPSCREW	16	16	BKT0023474	MAKE-UP CYL HSE CLAMP BKT	1
	WLK0000750	WASHER	16		WLK0000375	WASHER	1
5	FLG0001660	1" CODE 62 BLIND FLANGE	1		SCC0030001	CAPSCREW	1
	SCS0000405	CAPSCREW	4		NCH0000375	NUT	1
	WAS0000102	WASHER	4	17	HOS0015874	PLUNGER CYL HOSE-6000PSI	1
6	F 0006450	O-RING F/F6269 4-BOLT FLANGE	1	18	ZZ 0000728	ROLL PIN	2
7	253863	CLEVIS PIN W/COTTER PIN	4	19	SHM0028130	PLNGR ROD END SHIM (.015)	A/R
8	901570	MOUNTING WLDMT,CYL,*A; 1592D	2		SHM0028363	PLNGR ROD END SHIM (.032)	A/R
9	HYD5205070	NPT MALE CONN	2	20	DRW035997B	BAR,	2
10	CYL0024785	MAKE-UP CYLINDER-AF/8-91	2				
				*	SEE PAGE 132		

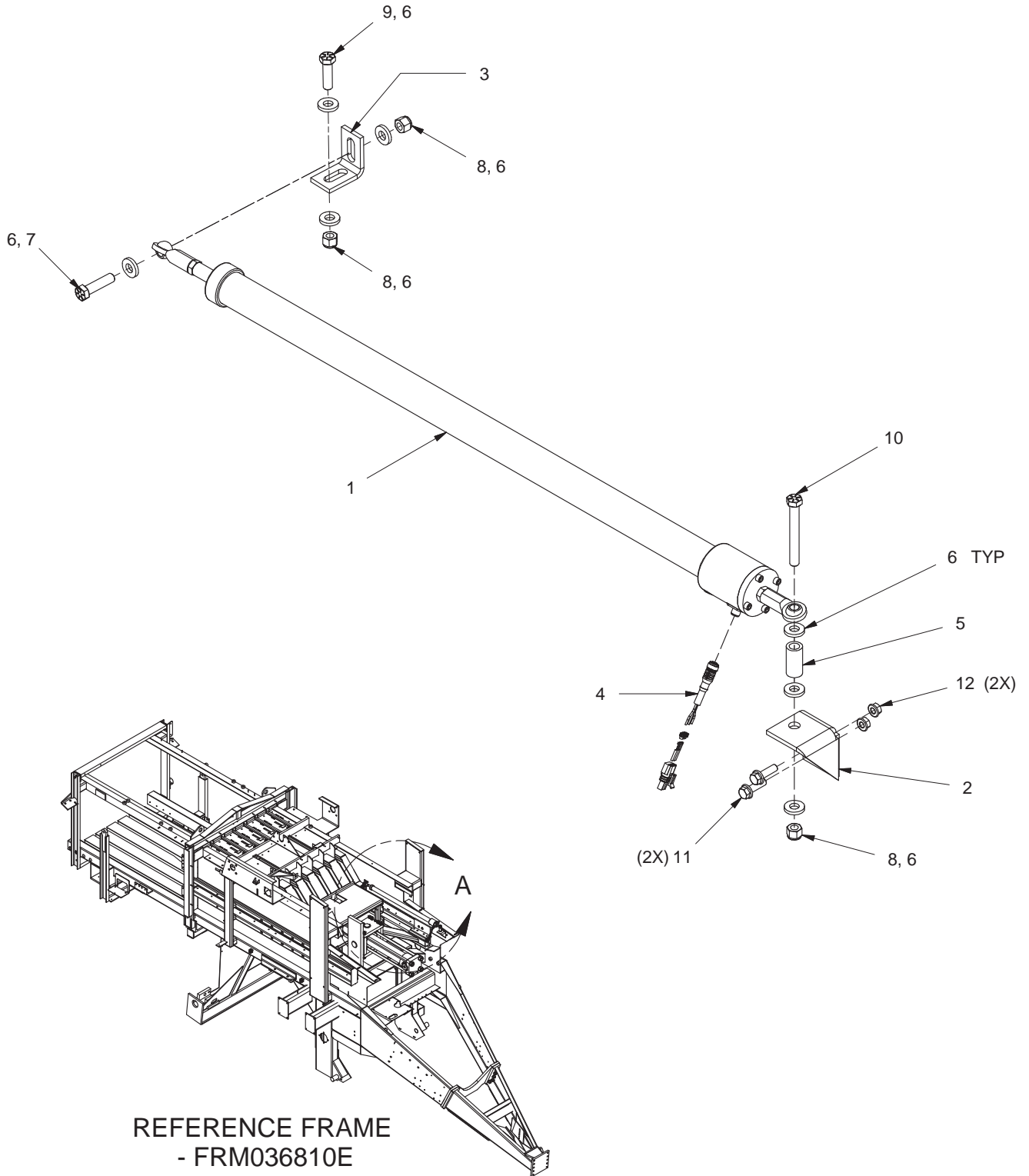
**PLUNGER ASSEMBLY**



## PLUNGER ASSEMBLY

REF NO.	PART NO.	DESCRIPTION	QTY. USED	REF NO.	PART NO.	DESCRIPTION	QTY. USED
1	PLG036797E	PLUNGER FRM ASSY	1		PWB3752000	BOLT	4
2	PLG2599101	RH PLUNGER SLIDE RAIL-AFT/9-92	1		WLK0000375	WASHER	4
	SCC0030003	CAPSCREW	7		NCH0000375	NUT	4
3	PLG2599100	LH PLUNGER SLIDE RAIL-AFT/9-92	1	11	PLG0022711	NUT F/PLGR ROLLER BOLT-1590/92	2
	SCC0030003	CAPSCREW	7	12	BRG0000004	PLUNGER ROLLER BEARING -	4
4	PLG0014974	PLUNGER SLIDE SHIM	2	13	PLG0014979	REAR PLUNGER ROLLER BOLT	2
5	WIP0022693	SWITCH CAM WIPER	1	14	MNT0024735	RT MAKEUP CYL MNT-AF-8\91-1590	1
	SMS0000171	BOLT	2		WLK0000625	WASHER	4
	NFH0001032	NUT	2	15	SHM0022718	FRONT ROLLER SHIM -1590	4
6	MNT0024734	LFT MAKEUP CYL MNT-A/8-91	1	16	PLG0024740	FRT PLG ROLLER BOLT AF/8-91	2
	WLK0000625	WASHER	4		WLK0010000	WASHER	2
	SCC0070004	CAPSCREW	4				
7	KNF0022602	PLUNGER CENTER KNIFE	5				
	PWB3752000	BOLT	10				
	WLK0000375	WASHER	10				
	NCH0000375	NUT	10				
8	SHM0226040	16 GA CENTER KNIFE SHIM	A/R				
	SHM0226041	30 GA CENTER KNIFE SHIM	A/R				
9	SHM0027993	OUTSIDE PLG KNIFE SHIM-A/11-93	A/R				
	SHM0027994	OUTSIDE PLG KNIFE SHIM-A/11-93	A/R				
10	KNF0027932	PLG OUTER KNIFE AFT/11-93	2				

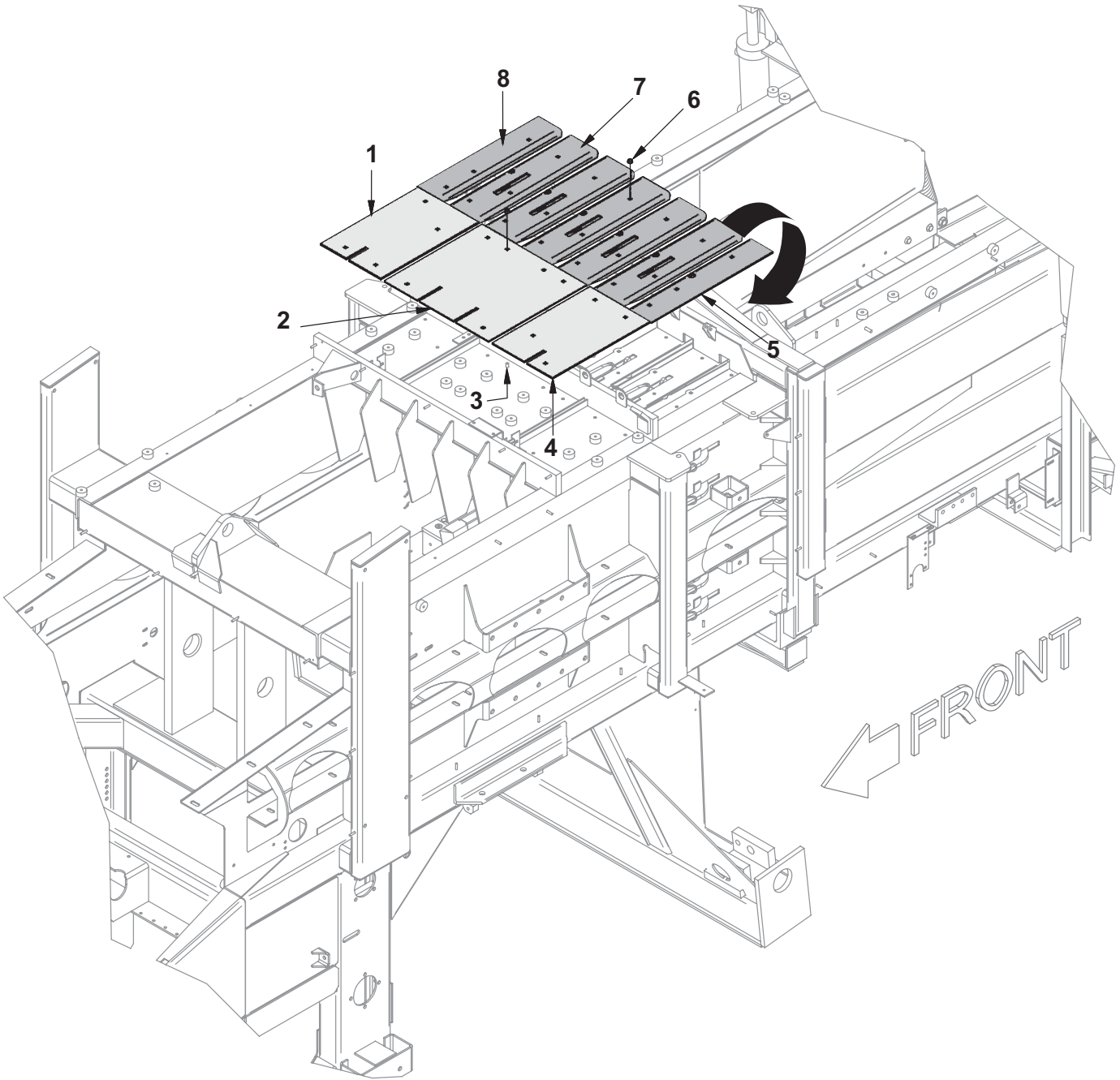
### PLUNGER LOCATION SENSOR INSTALLATION



## PLUNGER LOCATION SENSOR INSTALLATION

REF NO.	PART NO.	DESCRIPTION	QTY. USED	REF NO.	PART NO.	DESCRIPTION	QTY. USED
	905357	PLUNGER INSTALLATION					
01	905360	CYLINDER, ENCL SENSOR	1	07	R13811077	CAPSCREW	1
02	905358	BRACKET, CYLINDER	1	08	R13811193	LOCKNUT	3
03	905359	BRACKET, CYLINDER	1	09	221569W	CAPSCREW	1
04	904823	CONNECTOR ASSEMBLY	1	10	R13811085	CAPSCREW	1
05	905668	TUBE, SPACER	1	11	SMS0000180	BOLT, WHIZ	2
06	221771W	WASHER	7	12	09411507	NUT, SERRATED	2

### TOP CHAMBER LINERS

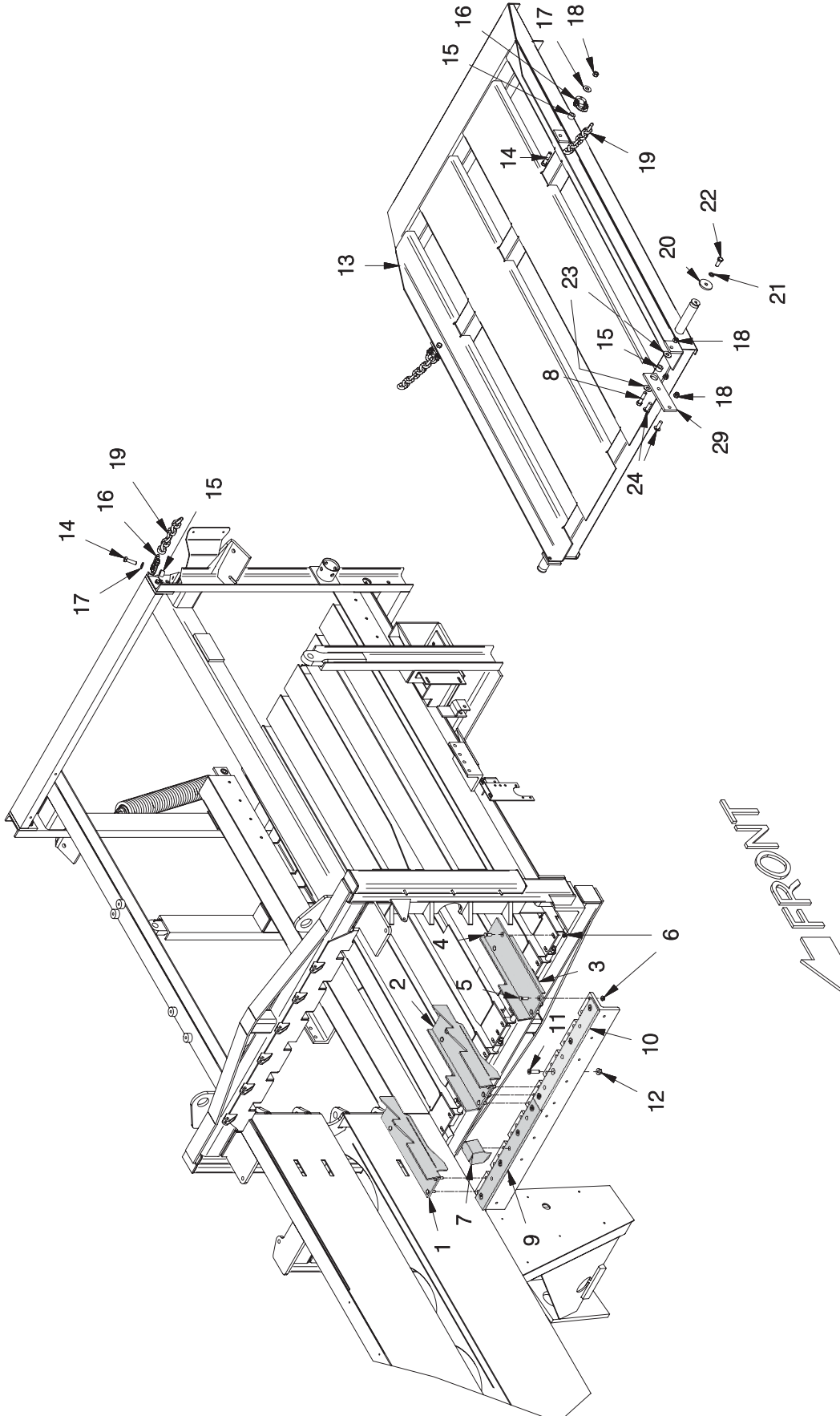


---

## TOP CHAMBER LINERS

REF NO.	PART NO.	DESCRIPTION	QTY. USED
1	LIN036841D	RIGHT FRONT LINER	1
2	LIN036840D	CENTER FRONT LINER	1
3	CRB3750100	CARRIAGE BOLT	A/R
4	LIN036840D	SHAFT	1
5	901658	LH REAR LINER	1
6	09411507	NUT	A/R
7	901599	CENTER REAR LINER	5
8	LIN037632B	RH REAR TOP LINER	1

**REAR BOTTOM CHAMBER LINERS AND BALE CHUTE ASSEMBLY**

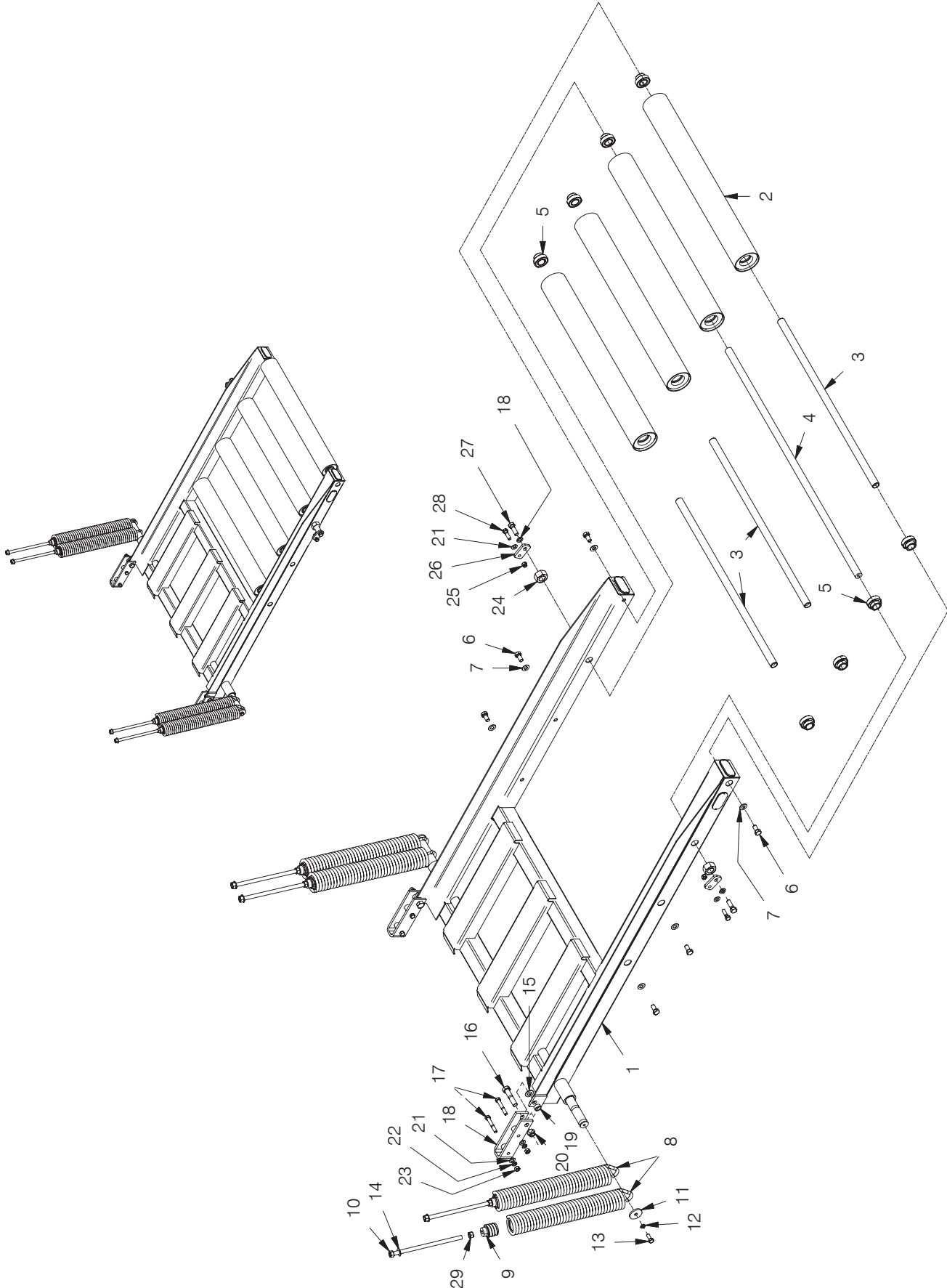




## REAR BOTTOM CHAMBER LINERS AND BALE CHUTE ASSEMBLY

REF NO.	PART NO.	DESCRIPTION	QTY. USED	REF NO.	PART NO.	DESCRIPTION	QTY. USED
1	LIN037469D	RIGHT BOTTOM CHAMBER LINER	1	15	SPC0025812	CHAIN ANCHOR SPACER	6
2	LIN037468D	CENTER BOTTOM CHM LINER	5	16	CNK0000336	CONNECTING LINK	4
3	LIN037467D	LEFT BTTM CHAMBER LINER	1	17	WAS0020049	WASHER	4
4	PWB3751250	BOLT	7	18	R13811193	NUT	6
5	PWB3751500	BOLT	7	19	CHN375HT50	SELF-COLORED GRD 04 CHAIN	2
6	09411507	NUT	14	20	WAS0035161	WASHER	2
7	901628	PL,SILAGE BLOCK	6	21	234665	WASHER	2
8	18589W	CAPSCREW	6	22	SFC0080507	CAPSCREW	2
9	901633	PL,RH KNIFE	1	23	239519	WASHER	AR
10	901629	PL,LH KNIFE	1	24	Y25G-0824	CAPSCREW	4
11	PWB5001750	BOLT	8	29	MNT0026340	BALE CHUTE MNT -AFT/11-92	2
12	CHN375HT50	SELF-COLORED GRD 04 CHAIN	A/R				
13	CHU0504188	BALE CHUTE - 1592	1				
14	R13811076	CAPSCREW	4				

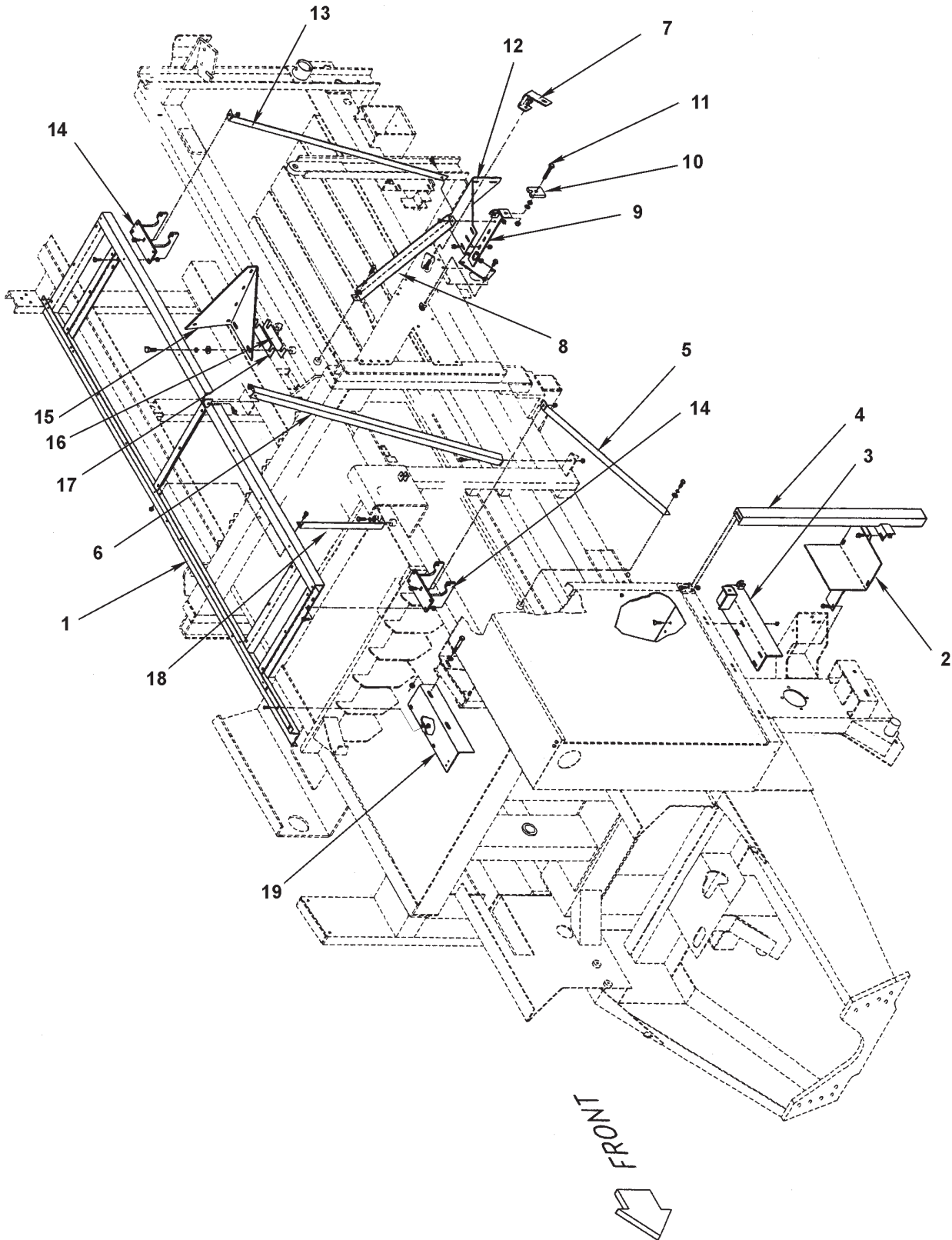
**OPTIONAL ROLLER BALE CHUTE ASSEMBLY**



## OPTIONAL ROLLER BALE CHUTE ASSEMBLY

REF NO.	PART NO.	DESCRIPTION	QTY. USED
	CHU0035109	ROLLER BALE CHUTE ASSY;	
1	FRM0032270	ASSEMBLY, FRAME, CHUTE, ROLLER	1
2	ROL0035115	ROLLER ASSEMBLY	4
3	SHF0035112	SHAFT	3
4	900072	SHAFT	1
5	BRG0000010	ROLLER BEARING F/1592 TAIL CHUTE	8
6	234131	CAPSCREW	6
7	R13811435	WASHER	6
8	SPG0035137	SPRING, EXT	4
9	PLU0035136	PLUG, SPRING	4
10	SMS0035135	BOLT ASSY	4
11	WAS0035161	WASHER	2
12	234665	WAHSER	2
13	234123	CAPSCREW	2
14	235464	WASHER	4
15	235546	WASHER	2
16	230096	CAPSCREW	2
17	230596	CAPSCREW	4
18	900340	MOUNTING WLDMT	2
19	900343	SPACER	2
20	NCE0007500	NUT	2
21	239519	WASHER	8
22	234665	WASHER	4
23	234921	NUT	4
24	224182	NUT	2
25	223587	NUT	2
26	900344	BAR, LINK	2
27	235590	CAPSCREW	2
28	229172	CAPSCREW	2
29	229952	NUT	2

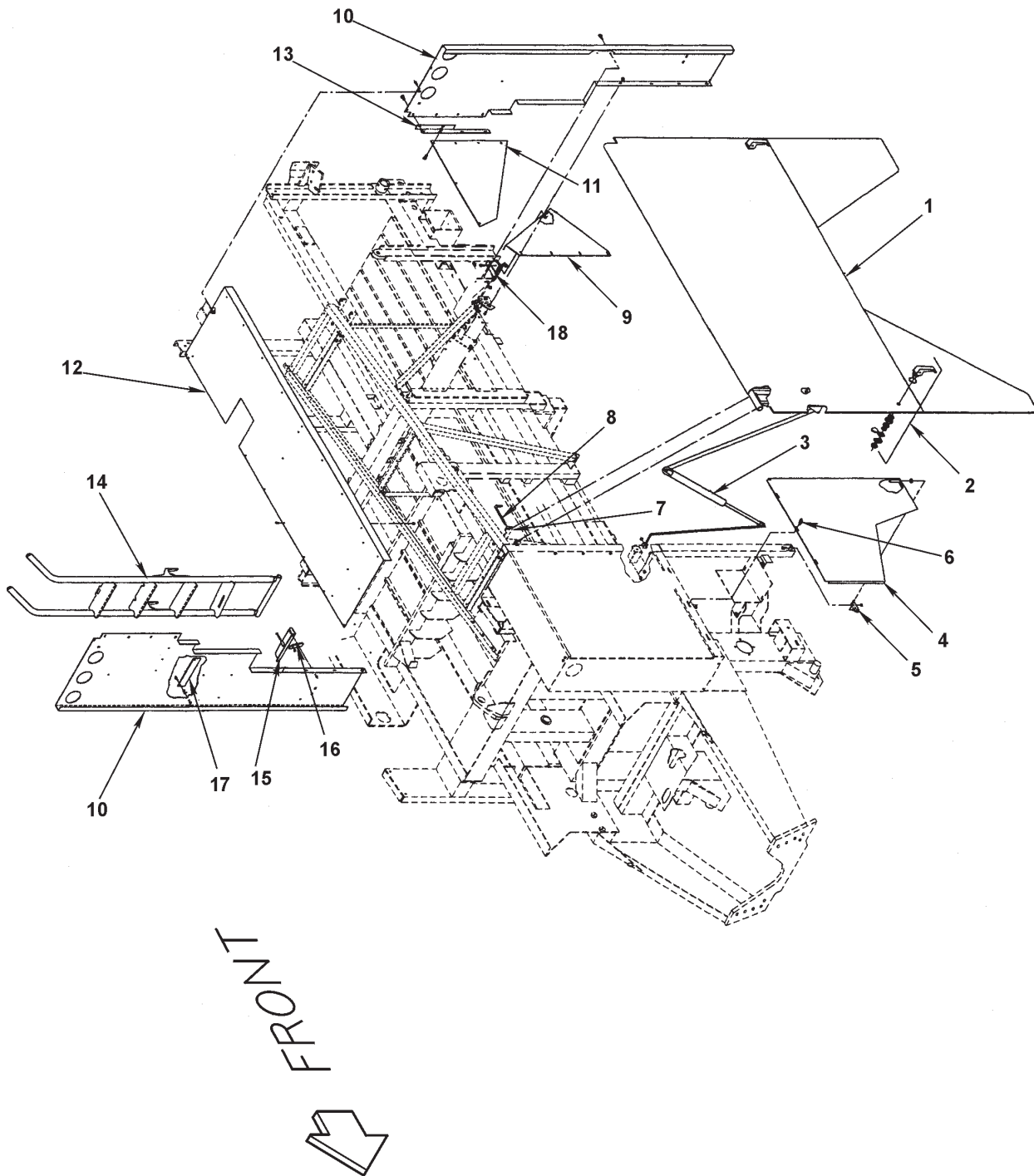
**SIDE SHIELDS AND DOOR SUPPORTS ASSEMBLY**



## SIDE SHIELDS AND DOOR SUPPORTS ASSEMBLY

REF NO.	PART NO.	DESCRIPTION	QTY. USED	REF NO.	PART NO.	DESCRIPTION	QTY. USED
1	FRM0232910	R.H. TOP SHIELD SUPT ASB	1	10	20-112	MOTOR MOUNT/STOP PAD	4
	FRM0232911	L.H. TOP SHIELD SUPT ASB	1		NCH0000500	NUT	4
2	MNT0023489	L DOR SUP BRC W/ BAT MNT	1		WCT0000500	WASHER	8
	BRC0233921	R. H. DOOR SUPPORT BRACE	1	11	ROD0023528	DOOR BUMPER ADJ. ROD BOLT	4
	SMS0000184	BOLT	4	12	SUP0252950	L.H REAR SHD LOWER SUPT-A/3-92	1
3	MNT0233030	L. H. GAS SPRING FRM MNT ASSY	1		SUP0252951	R.H REAR SHD LOWER SUPT-A/3-92	1
	MNT0233031	R. H. GAS SPRING FRM MNT ASSY	1		SMS0000184	BOLT	2
	CRB3130100	BOLT	8		NMS0000117	NUT	2
	WCT0000313	WASHER	8	13	BRC0233290	L. H. DOOR REAR KNEE BRACE	1
4	SUP0023479	LOWER LEFT DOOR SUPPORT	1		BRC0233291	R. H. DOOR REAR KNEE BRACE	1
	SUP0023357	LOWER RIGHT DOOR SUPPORT	1		SMS0000184	BOLT	2
	SMS0000184	BOLT	4		NMS0000117	NUT	2
	NMS0000117	NUT	4		SMS0000177	BOLT	2
5	BRC0233310	L. H. FRONT KNEE BRACE	1	14	MNT0023283	MAIN DOOR MOUNT ASSEMBLY	4
	BRC0233311	R. H. FRONT KNEE BRACE	1		NMS0000117	NUT	16
	NMS0000117	NUT	2		SMS0000177	BOLT	16
	SCC0030002	CAPSCREW	6	15	SUP0234500	L. H. REAR SHD UPPER SUPT	1
	SMS0000177	BOLT	2		SUP0234501	R. H. REAR SHD UPPER SUPT	1
	WLK0000375	WASHER	6		WCT0000500	WASHER	4
	WCT0000375	WASHER	6		SCC0050003	CAPSCREW	4
6	BRC0233260	L. H. DOOR CENTER KNEE BRACE	1		WLK0000500	WASHER	4
	BRC0233261	R. H. DOOR CENTER KNEE BRACE	1	16	SHM0023544	SHIELD SUPPORT SHIM	A/R
	SMS0000184	BOLT	4	17	SHM0023545	SHIELD SUPPORT SHIM	A/R
	NMS0000117	NUT	4	18	SUP0233270	L. H. CENTER SHLD SUP LEG	1
7	BKT0023355	NEEDLE YOKE GUARD BRACKET	2		SUP0233271	R. H. CENTER SHLD SUP LEG	1
	SCC0050004	CAPSCREW	2		NMS0000117	NUT	2
	WLK0000500	WASHER	2		SCC0030002	CAPSCREW	6
	NCH0000500	NUT	2		SMS0000184	BOLT	4
8	BRC0233300	L. H. REAR KNEE BRACE	1		WLK0000375	WASHER	6
	BRC0233301	R. H. REAR KNEE BRACE	1		WCT0000375	WASHER	6
	SCC0030002	CAPSCREW	6	19	SUP5061370	LEFT SIDE FRNT CHANNEL SUPPORT	1
	SMS0000184	BOLT	1		SUP5061381	RIGHT SIDE FRONT CHANNEL SUPPT	1
	NCH0000500	NUT	1		SMT0001001	SCREW	6
	WLK0000375	WASHER	6		NMS0000250	NUT	6
	WCT0000375	WASHER	6		SCC0050012	CAPSCREW	4
9	MNT0252940	LH REAR GAS SPG/BUMP MNT -A/92	1		NCE0000500	NUT	4
	MNT0252941	RH REAR GAS SPG/BUMP MNT -A/92	1				
	SMS0000184	BOLT	12				
	NMS0000117	NUT	12				

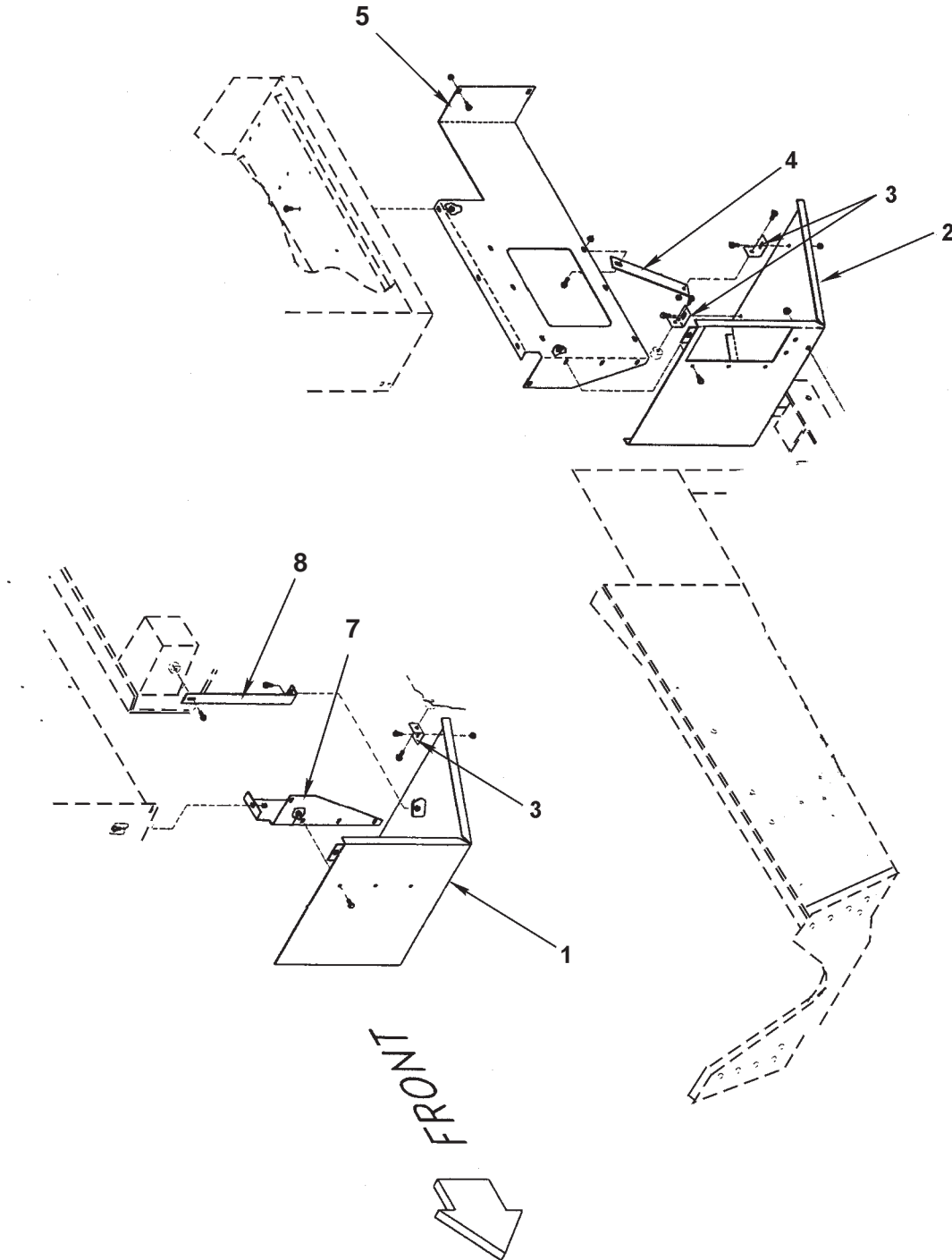
**SHIELDS AND DOORS ASSEMBLY**



## SHIELDS AND DOORS ASSEMBLY

REF NO.	PART NO.	DESCRIPTION	QTY. USED	REF NO.	PART NO.	DESCRIPTION	QTY. USED
1	DOR0232790	L.H. MAIN DOOR ASSY.	1	11	CVR0025413	REAR CLOSURE PLATE-AF/92	1
	DOR0232791	R. H. MAIN DOOR ASSEMBLY	1		SMT0002001	SCREW	4
2	HAN6210603	LIFT-N-LATCH HANDLE	4		NMS0000250	NUT	4
3	CYL0080614	GAS SPRING CYLINDER	4	12	SHD0023286	TOP LEFT SHIELD	1
	NCE0000313	NUT	8		SHD0023287	TOP RIGHT SHIELD	1
	SCC0020004	CAPSCREW	8		SMT0001003	SCREW	32
4	DOR0233320	L. H. LOWER FRONT DOOR	1	13	MNT2541200	L. H. REAR SHIELD/CLOSURE PLT	1
	DOR0233321	R. H. LOWER FRONT DOOR	1		MNT2541201	R. H. REAR SHIELD/CLOSURE PLT	1
	WCT0000375	WASHER	12		SMT0001003	SCREW	4
5	HNG0233390	L. H. LOWER DOOR HINGE	1		NMS0000250	NUT	4
	HNG0233391	R. H. LOWER DOOR HINGE	1	14	LDR0016139	PORTABLE LADDER	1
	NMS0000117	NUT	4	15	BKT0016157	BOTTOM LADDER STORAGE BRACKET	1
	SMT0002001	SCREW	4		SMS0000172	BOLT	2
6	FST0010401	MED DUTY FOLDING HANDLE FASTNR	6		NMS0000250	NUT	2
7	COT0000801	COTTER PIN	4	16	PIN0021155	PORTABLE LADDER PIN	1
8	PIN0023475	SIDE DOOR HINGE PIN	4		SCC0020008	CAPSCREW	1
	WCT0000375	WASHER	12		NCE0000313	NUT	1
9	GRD0233110	L. H. NEEDLE YOKE GUARD	1	17	BKT0016158	TOP LADDER STORAGE BRACKET	1
	GRD0233111	R. H. NEEDLE YOKE GUARD	1		NCH0000250	NUT	4
	SMT0001001	SCREW	4		SCC0020002	CAPSCREW	2
	NMS0000250	NUT	4		NMS0000250	NUT	2
10	SHD0032078	LEFT REAR SHIELD	1	18	BKT0235270	L. H. NEEDLE YOKE BRACKET	1
	SHD0032079	RIGHT REAR SHIELD	1		BKT0235271	R. H. NEEDLE YOKE BRACKET-	1
	SMT0001001	SCREW	6		NMS0000117	NUT	4
	SMT0001003	SCREW	8		SMT0001001	SCREW	4
	SMT0002001	SCREW	4		SMT0001003	SCREW	2
	NMS0000250	NUT	20		SMS0000177	BOLT	1

**LOWER FRONT SHIELDS ASSEMBLY**

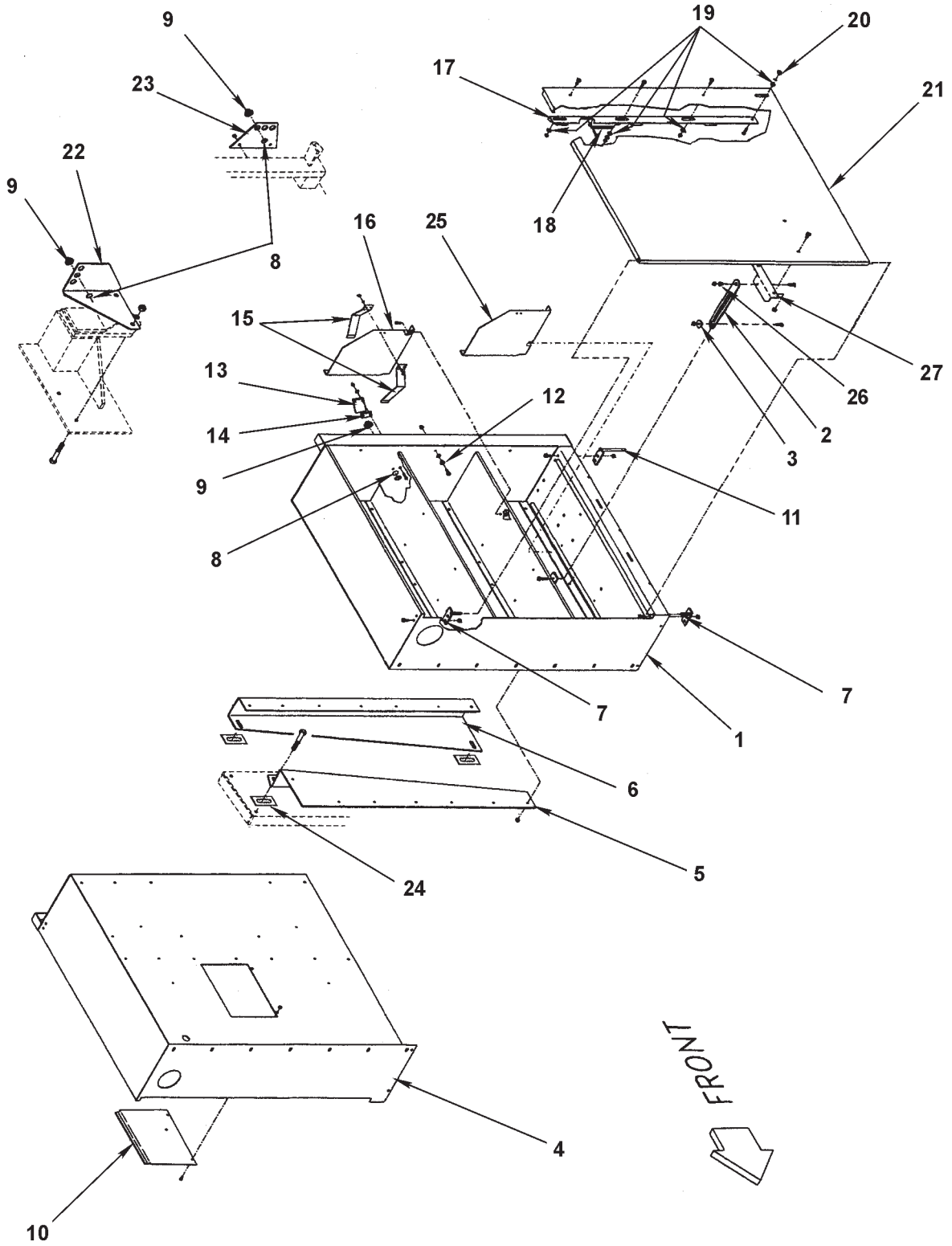




## LOWER FRONT SHIELDS ASSEMBLY

REF NO.	PART NO.	DESCRIPTION	QTY. USED	REF NO.	PART NO.	DESCRIPTION	QTY. USED
1	SHD0023399	LOWER RIGHT FRONT SHIELD	1	5	MNT0023391	CONTROL & FAN BOX MOUNT	1
	NMS0000117	NUT	3		NMS0000117	NUT	5
	SMT0002001	SCREW	3		CRB3130075	CARRIAGE BOLT	3
2	SHD0024071	LOWER LFT FRT SHD-A/11-90	1		SMS0000184	BOLT	2
	NMS0000117	NUT	3	7	BRC0023404	RIGHT FRONT SHIELD BRACE	1
	SMT0002001	SCREW	3		NMS0000117	NUT	1
3	ANC0023506	FRONT SHIELD ANCHOR	3		CRB3130075	CARRIAGE BOLT	1
	NMS0000117	NUT	4	8	ANC0023403	RIGHT FRONT SHIELD ANCHOR	1
	SMS0000181	BOLT	2		NMS0000117	NUT	1
	SMS0000184	BOLT	4		SMS0000181	BOLT	1
4	ANC0023322	LEFT FRONT SHIELD ANCHOR	1		SMS0000184	BOLT	1
	NMS0000117	NUT	1				
	SMS0000184	BOLT	1				

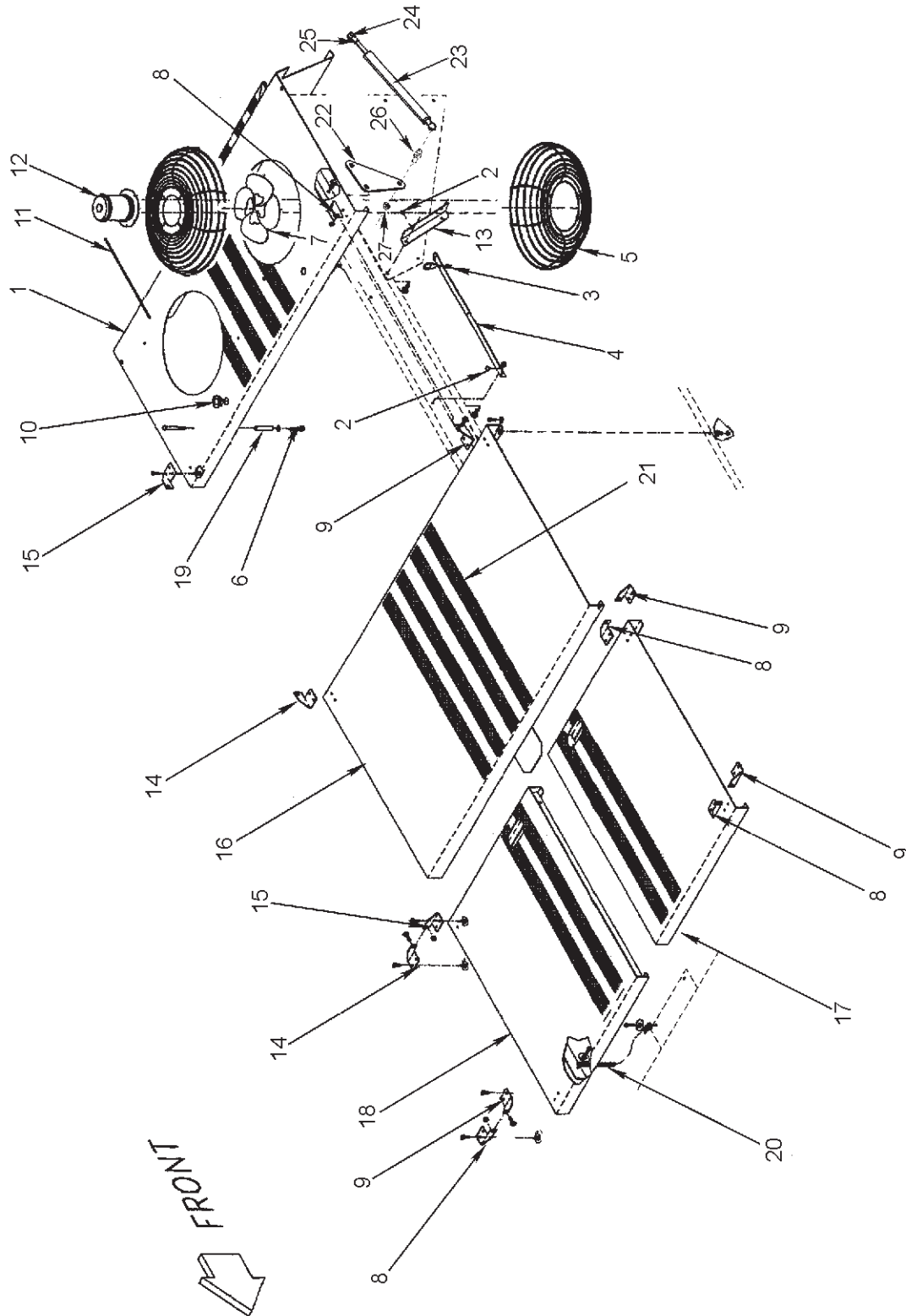
**TWINE BOXES AND BRACKETS ASSEMBLY**



## TWINE BOXES AND BRACKETS ASSEMBLY

REF NO.	PART NO.	DESCRIPTION	QTY. USED	REF NO.	PART NO.	DESCRIPTION	QTY. USED
1	BOX0024949	L. H. TWINE BOX -AFT/3-92	1	16	BOX0232370	LH TWINE BOX OPT. DIVIDER	6
2	SHD0096569	STAY, SHIELD DOOR	2		BOX0232371	RH TWINE BOX OPT. DIVIDER	6
	SMT0002001	SCREW	4		SMR0001001	SCREW	24
	NCE0000313	NUT	4		WLK0000250	WASHER	24
3	PLU0506009	PLUG, STAY DOOR	2		NCH0000250	NUT	24
4	BOX0024950	R. H. TWINE BOX -AFT/3-92	1	17	LTH1584700	L. H. TWINE BOX DOOR LATCH	1
5	MNT0231010	LH FRONT TWINE BOX MOUNT	1		LTH1584701	R. H. TWINE BOX DOOR LATCH	1
	MNT0231011	RH FRONT TWINE BOX MOUNT	1	18	F 0000278	SPRING F/KNOTTER TRIP ARM	2
	NMS0000117	NUT	12		NCH000313	NUT	4
	SMS0000184	BOLT	12		SCC0010002	BOLT	2
6	MNT0231020	LH REAR TWINE BOX MOUNT	1	19	BSH0015842	TWN BX DOOR LATCH GUID.BUSHING	8
	MNT0231021	RH REAR TWINE BOX MOUNT	1		WCT0000313	WASHER	4
	NMS0000117	NUT	12		SCC0020003	BOLT	2
	SMS0000184	BOLT	12		SCC0020002	BOLT	6
7	HNG0232330	LH TOP HINGE PIN-AT/11-89	2		NCE0000313	NUT	6
	HNG0232331	RH TOP HINGE PIN-AF/11-89	2	20	F 0001007	CONTROL KNOB - 5/16 NC THREAD	2
	NMS0000117	NUT	8		SCC0020002	BOLT	2
	SMS0000184	BOLT	8		WLK0000313	WASHER	2
	WCT0000313	WASHER	8	21	DOR0232300	LH TWINE BOX DOOR	1
8	F 0000857	SNAP RING F/TWN GUIDE BUSHING	18		DOR0232301	RH TWINE BOX DOOR	1
9	F 0000856	TWINE & WIRE GUIDE BUSHING	18	22	BKT0263230	LH TWN GUIDE BRACKET-AFT/11-92	1
10	CVR0232361	R. H. TWN BX FILTER ACCESS CVR	1		BKT0263231	RH TWN GUIDE BRACKET-AFT/11-92	1
	SCC0000100	CAPSCREW	2		SCC0070012	BOLT	4
	NCC0002500	NUT	2		WLK0000625	WASHER	4
11	HNG0235070	L. H. LOWER FRONT DOOR HINGE	1		NCH0000625	NUT	4
	HNG0235071	R. H. LOWER FRONT DOOR HINGE	1	23	BKT0023462	TWINE GUIDE BRACKET	2
	NMS0000117	NUT	4		SCC0030001	BOLT	4
	SMS0000184	BOLT	4		NCE0000375	NUT	4
	WCT0000313	WASHER	4	24	F 0000967	SHIM F/PINION SHAFT BRG - 16GA	12
12	BSH0015841	TWINE BOX DOOR LATCH BUSHING	6		F 0000967A	SHIM F/PINION SHAFT BRG - 20GA	12
	SCC0020002	BOLT	6		F 0000967B	SHIM F/PINION SHAFT BRG - 10GA	12
	NCE0000313	NUT	6	25	BOX0507654	LH TWINE BOX BOTTOM	1
	WCT0000313	WASHER	6		BOX0507655	RH TWINE BOX BOTTOM	1
13	CVR0016464	TWINE GUIDE COVER	6		SCC0020003	BOLT	2
	SCC0010002	BOLT	12	26	F 0008147	TWINE FINGER DRIVE ROD BUSHING	2
	WCT0000250	WASHER	12	27	MNT5064110	LH MOUNT, DOOR STAY	1
	NCE0000250	NUT	12		MNT5061131	RH MOUNT, DOOR STAY	1
14	SPC0016465	TWINE GUIDE COVER SPACER	6		SMT0002001	SCREW	4
15	RET0023771	RETAINER, TWINE BALL	18		NMS0000117	NUT	4
	SMR0001001	SCREW	18				
	WLK0000250	WASHER	18				
	NCH0000250	NUT	18				

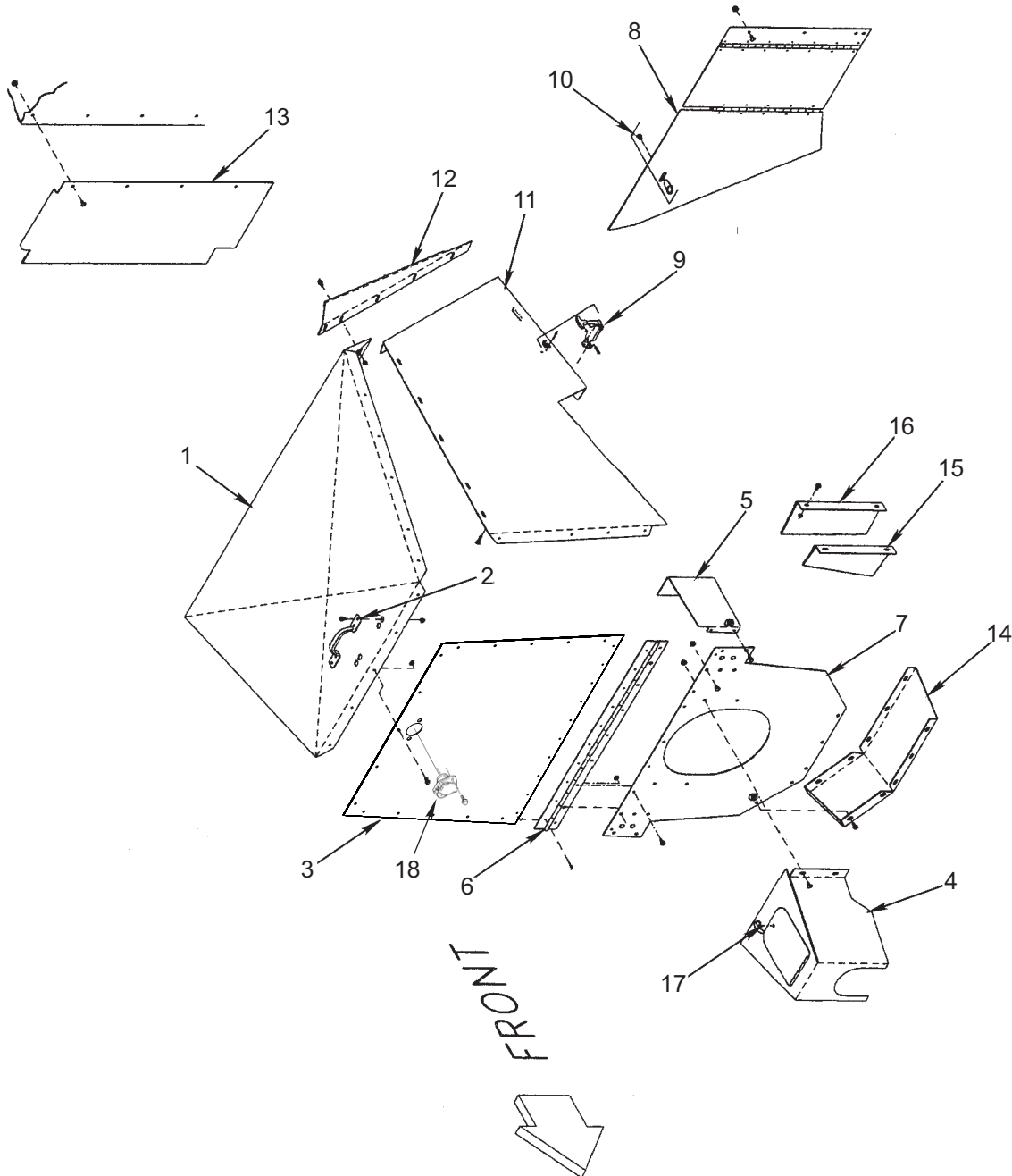
**TOP COVERS AND KNOTTER FANS ASSEMBLY**



## TOP COVERS AND KNOTTER FANS ASSEMBLY

REF NO.	PART NO.	DESCRIPTION	QTY. USED	REF NO.	PART NO.	DESCRIPTION	QTY. USED
1	CVR037639E	KNOTTER FAN SHROUD ASSEMBLY	1	14	HNG1598500	L. H. PLUNGER COVER HINGE SECT	3
2	BMP0004243	RUBBER BUMPER F/HOOD	10		NMS0000250	NUT	6
3	FST0010401	MED DUTY FOLDING HANDLE FASTNR	2		SMS0000171	BOLT	6
4	900014	LH KNOTTER COVER SUPPORT	1	15	HNG1598600	L. H. PLUNGER COVER HINGE SECT	3
	900015	RH KNOTTER COVER SUPPORT	1		NMS0000250	NUT	6
	NMS0000117	NUT	2		SMS0000171	BOLT	6
5	GRD0004432	CAGE F/KNOTTER BLOWER-COMPLETE	2		SCC0020001	BOLT	1
6	CLP0022526	FAN GUARD CLIP	16		NCE0000313	NUT	1
	WCT0000250	WASHER	8	16	CVR0023300	REAR PLUNGER COVER ASSY	1
	NMS0000250	NUT	8		WCT0000250	WASHER	4
7	FAN0250937	FAN BLADE F/KNOTTER BLOWER	2		WLK0000250	WASHER	2
8	HNG1598501	R. H. PLUNGER COVER HINGE SECT	3		NCH0000250	NUT	2
	NMS0000250	NUT	6		SCC0010001	BOLT	2
	SMS0000171	BOLT	6	17	CVR037735D	RH HALF PLUNGER CVR,SHLD	1
9	HNG1598601	R. H. PLUNGER COVER HINGE SECT	3	18	CVR037736D	LH HALF PLUNGER CVR,SHLD	1
	NMS0000250	NUT	6	19	SPC0506402	SPACER, KNOTTER FANS	8
	SMS0000171	BOLT	6		SCC0000110	BOLT	8
	SCC0020001	BOLT	1	20	CHN0506116	CHAIN 3/6 LONG LINK	2
	NCE0000313	NUT	1		SCC0010002	BOLT	2
10	GRM0002285	GROMMET	2		WCT0000250	WASHER	2
11	CBT5151250	CABLE TIE	4	21	219382	TAPE, SAFETY WALK 4 WIDE	A/R
12	MTR0022706	KNOTTER FAN MOTOR W/LEADS	2	22	MNT037717A	FAN SHROUD SPRING MOUNT	1
	NFH0001032	NUT	4	23	SPG0000090	90 LB GAS SPRING	1
	WCT0010000	WASHER	4	24	SOK0000001	METAL BALL SOK END FITTING	2
13	SUP5061231	RH KNOTTER COVER SUPPORT	1	25	CLP0000002	SAFETY CLIPS F/10MM BALL	2
	SUP5061240	LH KNOTTER COVER SUPPORT	1	26	STD0000M10	M10 BALL STUD	2
	NMS0000117	NUT	4	27	NMS0000117	NUT	1
	SMS0000184	BOLT	4				

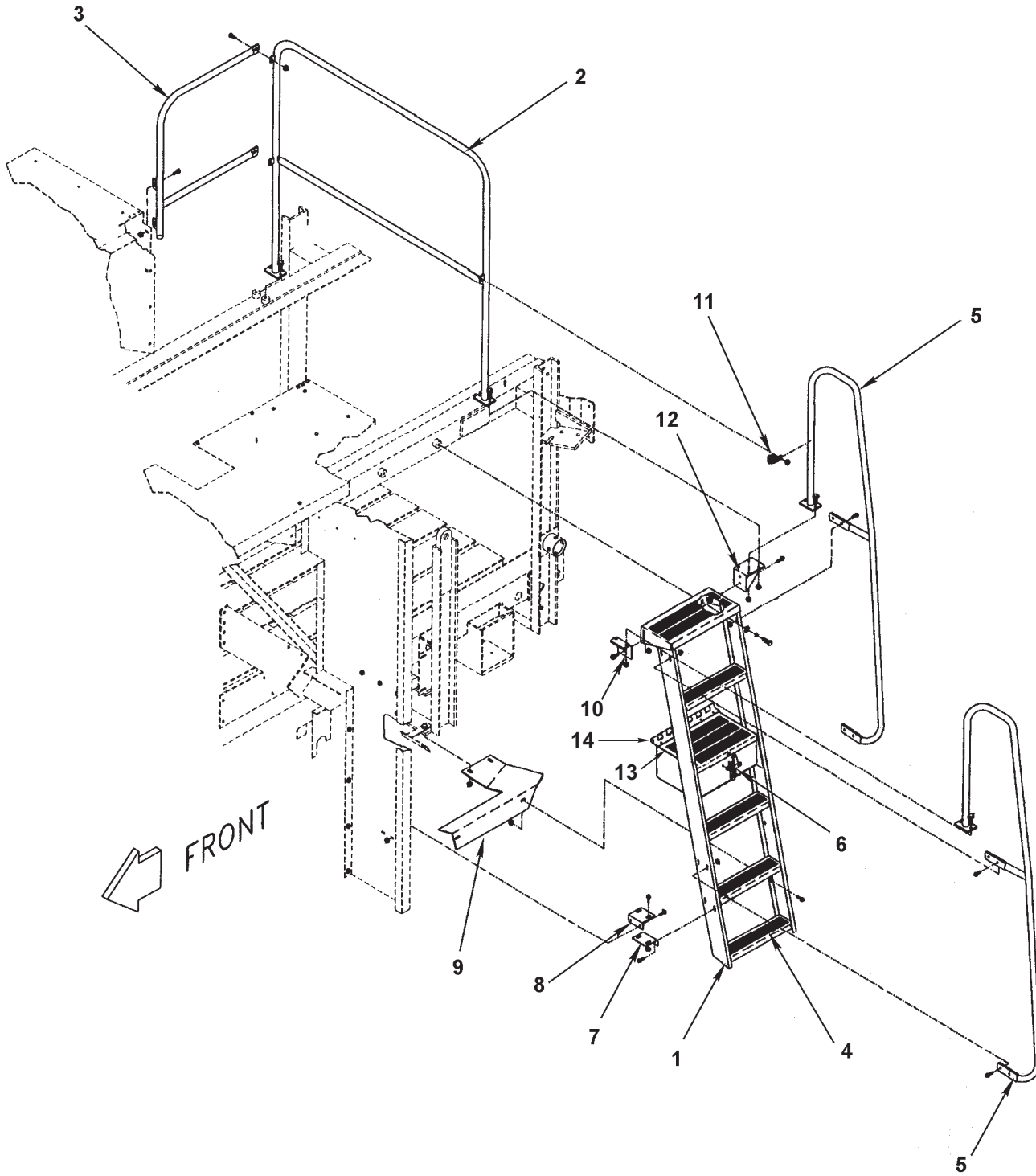
**DRIVE UNIT SHIELDS ASSEMBLY**



## DRIVE UNIT SHIELDS ASSEMBLY

REF NO.	PART NO.	DESCRIPTION	QTY. USED	REF NO.	PART NO.	DESCRIPTION	QTY. USED
1	SHD0023412	DRIVE UNIT TOP SHIELD	1	12	SHD0235000	L. H. DRIVE UNIT DUST SHD	1
2	HAN0000817	CHROME GRAB HANDLE-	1		SHD0235001	R.H. DRIVE UNIT DUST SHD	1
	SMS0000171	BOLT	4		SMS0000171	BOLT	10
	NMS0000240	NUT	4		NMS0000240	NUT	10
3	SHD036133E	UPPER FRONT SHEAVE SHIELD	1	13	SHD0234050	TOP FRONT SHIELD, LEFT	1
	SMS0000171	BOLT	4		SHD0234051	TOP FRONT SHIELD, RIGHT	1
	NMS0000240	NUT	4		SMT0002001	SCREW	8
4	SHD0506642	SHIELD, PTO CLUTCH COVER	1		NMS0000117	NUT	8
	SMT0002001	SCREW	4	14	SHD0023422	MAIN SHEAVE BOTTOM SHIELD	1
	NMS0000117	NUT	4		SMS0000171	BOLT	10
5	SHD0235080	L. H. SHEAVE DUST SHIELD	1		NMS0000240	NUT	10
	SHD0235081	R. H. SHEAVE DUST SHIELD	1	15	SHD0237720	LH SIDE DUST SHD ASSY	1
	SMS0000171	BOLT	4		SHD0237721	RH SIDE DUST SHD ASSY	1
	NMS0000240	NUT	4		SMS0000171	BOLT	4
6	HNG0023458	SHEAVE FRONT SHIELD HINGE	1		NMS0000240	NUT	4
	RIV0000604	RIVET	14	16	SHD0237730	L.H. REAR DUST SHD ASSY	1
7	SHD0023442	SHEAVE FRONT LOWER SHIELD-	1		SHD0237731	R.H. REAR DUST SHD ASSY	1
	SMS0000171	BOLT	9		SMS0000171	BOLT	4
	NMS0000240	NUT	9		NMS0000240	NUT	4
8	CVR0234290	LH FRONT ACCESS COVER ASY	1	17	SHD0237730	L.H. REAR DUST SHD ASSY - 1592	1
	CVR0234291	RH FRONT ACCESS COVER ASY	1	18	SOK0012063	SOCKET-7 CONDUCTOR	1
	SMS0000171	BOLT	4				
	NMS0000240	NUT	4				
9	LAT0000201	RUBBER DRAW LATCH	2				
10	FST0010401	MED DUTY FOLDING HANDLE FASTNR	2				
11	SHD037103E	L.H. DRV UNIT SHIELD ASB	1				
	SHD0235051	R.H. DRV UNIT SHIELD ASB	1				
	SMS0000171	BOLT	10				
	NMS0000240	NUT	10				

**SERVICE LADDER AND HANDRAILS ASSEMBLY**

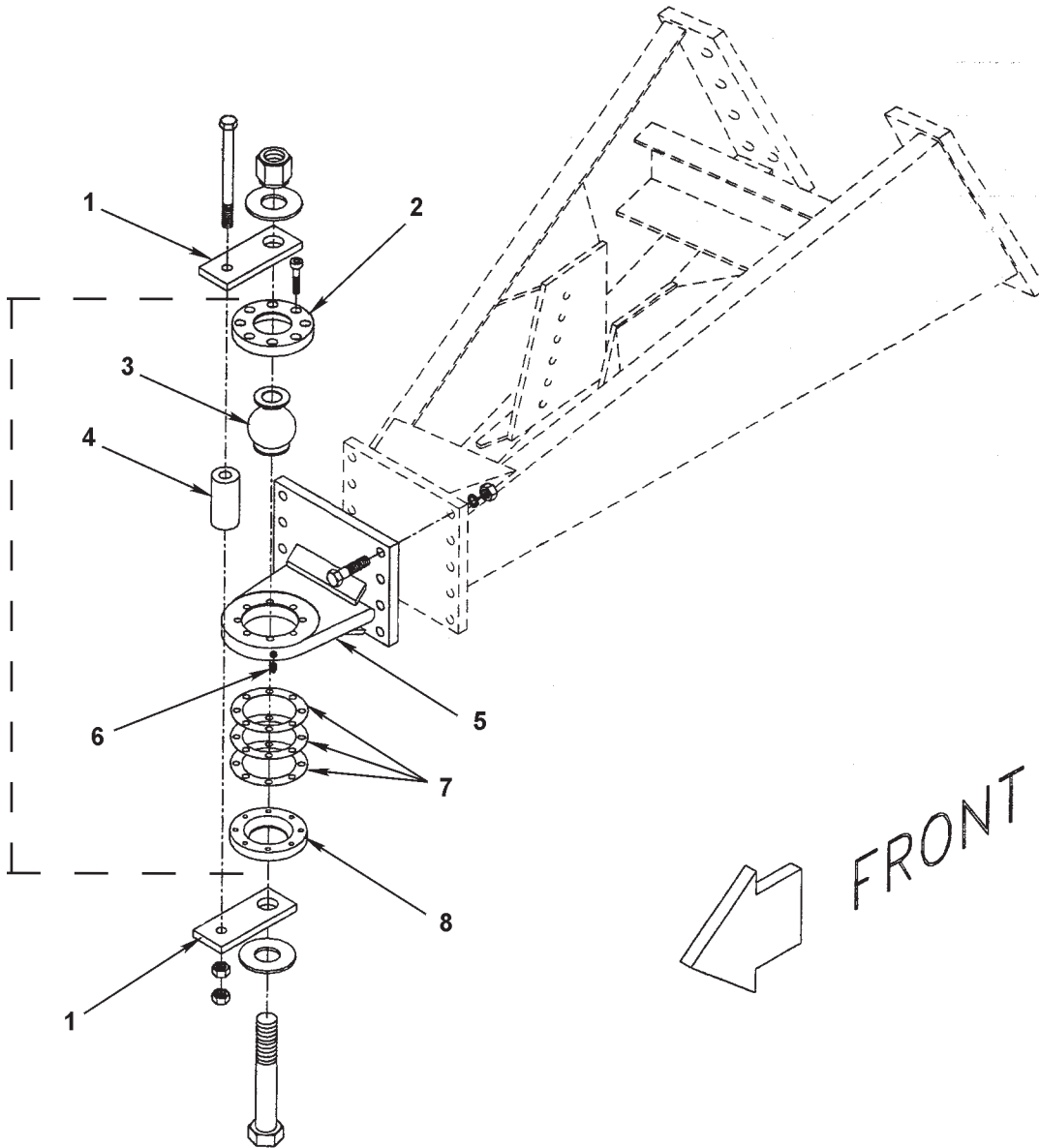




## SERVICE LADDER AND HANDRAILS ASSEMBLY

REF NO.	PART NO.	DESCRIPTION	QTY. USED	REF NO.	PART NO.	DESCRIPTION	QTY. USED
1	LDR0023313	SERVICE LADDER ASSEMBLY -	1	7	BRC0025407	SERVICE LADDER BRACE-AFT/4-92	1
	SMS0000184	BOLT	2		SMS0000184	BOLT	2
	NMS0000117	NUT	2		NMS0000117	NUT	2
	SCC0030002	CAPSCREW	2	8	BRC0025406	SERVICE LADDER BRACE-AFT/4-92	1
	WLK0000375	WASHER	2		SMS0000184	BOLT	2
	WCT0000375	WASHER	2		NMS0000117	NUT	2
2	RAL0024153	REAR RAIL ASSEMBLY	1	9	SUP0023344	LADDER SUPPORT	1
	SMS0000177	BOLT	2		SMS0000177	BOLT	2
	NMS0000117	NUT	2		NMS0000117	NUT	2
	SMS0000181	BOLT	2	10	BKT0023510	SERV LADDER HANDRAIL TOP BKT	1
3	RAL0024152	SIDE RAIL ASSEMBLY	1		SMS0000177	BOLT	2
	SMS0000184	BOLT	4		NMS0000117	NUT	2
	NMS0000117	NUT	4	11	CLP7701163	INSULATED HOSE CLP	2
4	STP0002000	STEP COVER-SAFETY WALK 2"	10		SMS0000184	BOLT	1
5	RAL0023318	SERVICE LADDER HANDRAIL ASSY.	2		NMS0000117	NUT	1
	SMS0000184	BOLT	8	12	BKT0024175	LADDER HANDRAIL BRACKET	1
	NMS0000117	NUT	12		SMS0000177	BOLT	2
	SMS0000177	BOLT	4		NMS0000117	NUT	2
6	CLP0000130	HOOK-TYPE FASTENER	1	13	CVR0023598	TOOL BOX COVER ASSEMBLY	1
	RIV0000604	RIVET	12	14	HNG0023485	HINGE	1

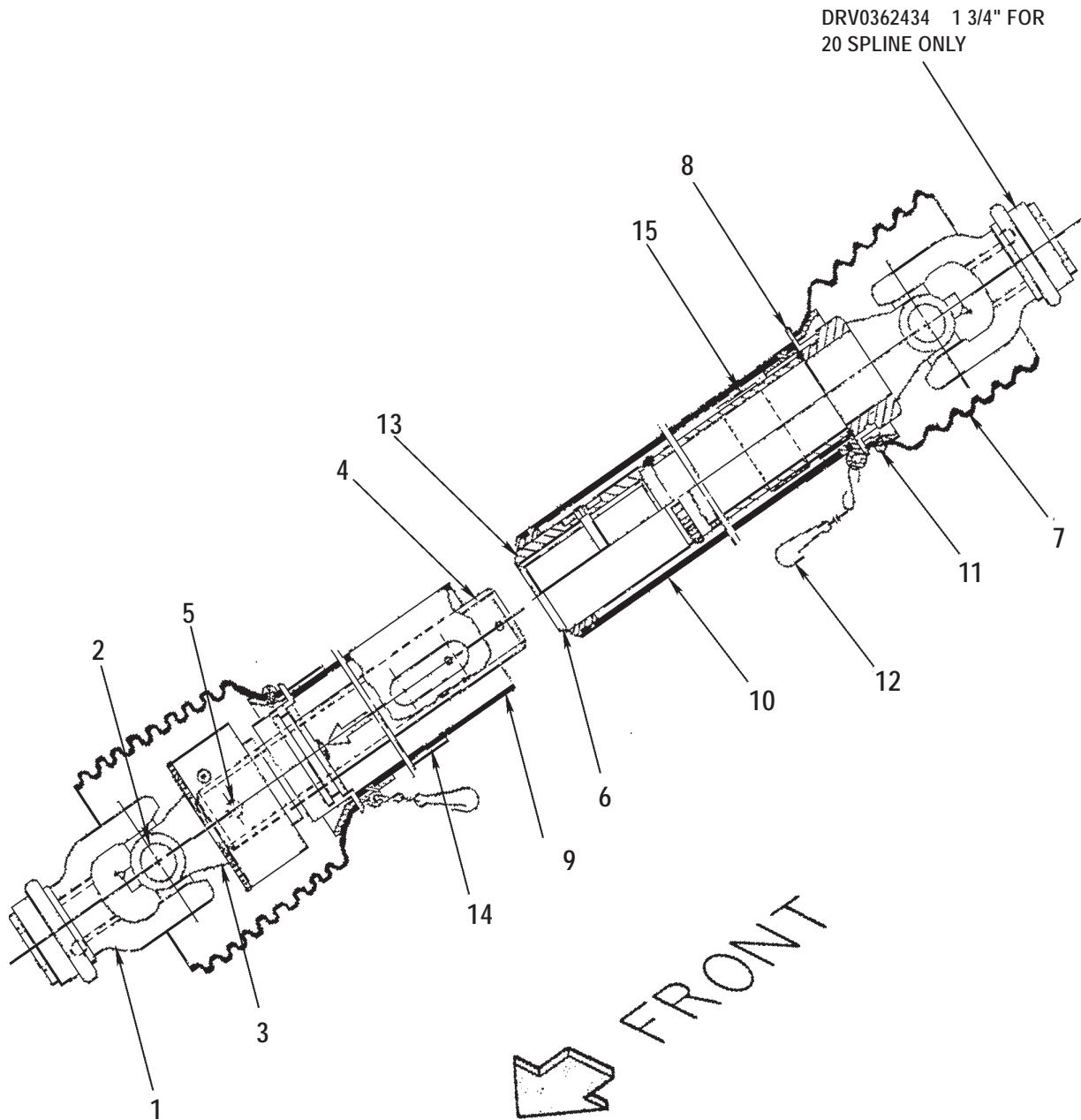
**BALL HITCH ASSEMBLY**



## BALL HITCH ASSEMBLY

REF NO.	PART NO.	DESCRIPTION	QTY. USED
1	PLT0021488	CLEVIS PIN PLATE	2
	SCC0000721	CAPSCREW	1
	NCH0000625	NUT	2
2	PLT0021486	BALL HITCH TOP PLATE	1
	SCS0000306	CAPSCREW	8
3	HTH0021490	HITCH BALL	1
4	SPC0021489	CLEVIS PLT SPACER	1
	SCC0001325	CAPSCREW	1
	WCT0125000	WASHER	2
	NCE0012500	NUT	1
5	HTH0021484	OPTIONAL BALL HITCH MOUNT	1
	SCC0070008	CAPSCREW	8
	WLK0000625	WASHER	8
	NCH0000625	NUT	8
6	ZZ 0000103	ZERK	1
7	SHM0021483	HITCH BALL SHIM	4
8	PLT0021487	BALL HITCH BOTTOM PLATE	1
2-8	KIT0015001	HEAVY BALL HITCH ASSY	

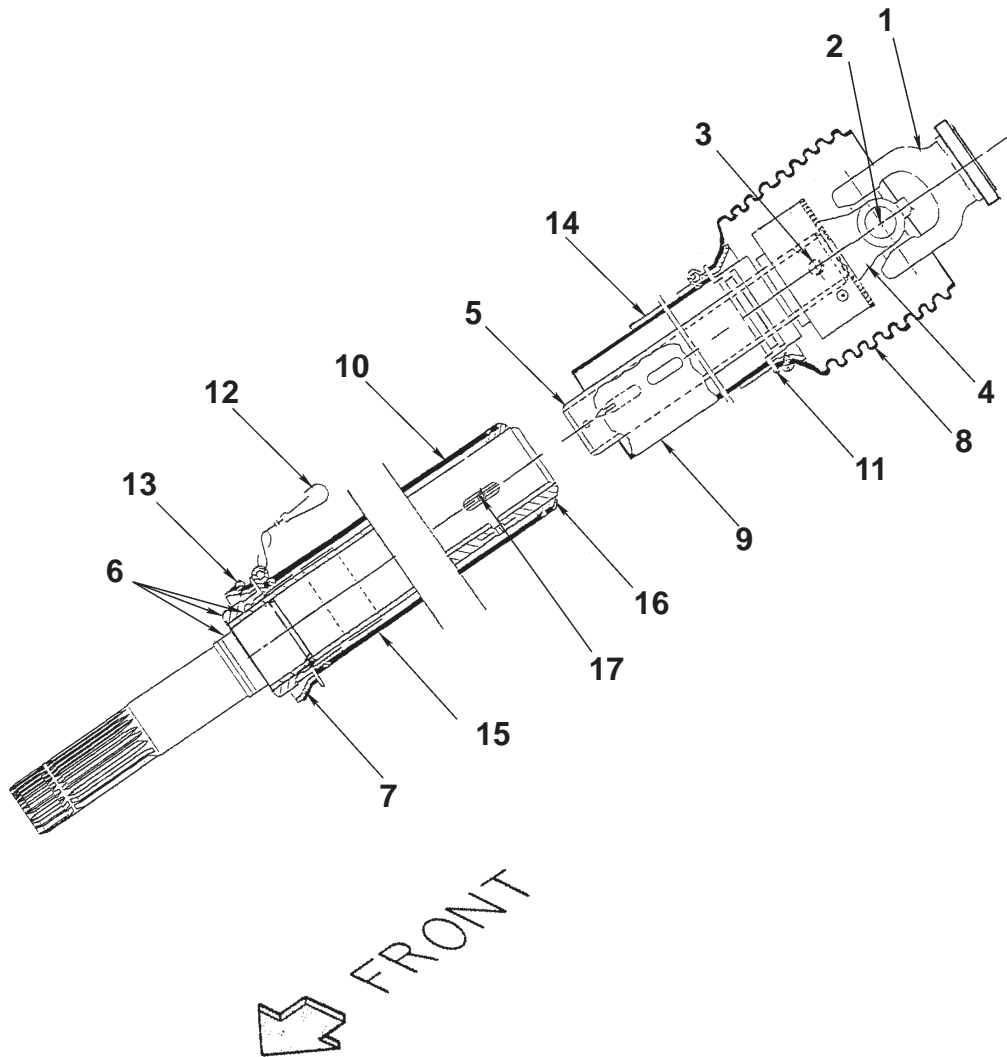
**P.T.O. SHAFT ASSEMBLY**



## P.T.O. SHAFT ASSEMBLY

REF NO.	PART NO.	DESCRIPTION	QTY. USED
1	DRV0362430	FRONT YOKE 1 3/8" FOR 21 SPLINE	1
	DRV0362434	FRONT YOKE 1 3/4" FOR 20 SPLINE	1
2	DRV0312209	U-JOINT KIT F/1500 REAR DRVLIN	2
3	YOK0174039	INBOARD YOKE F/DRV389774 1-3/4	1
4	DRV0388944	INNER PROFILE FOR 20 SPLINE	1
	DRV0388242	INNER PROFILE FOR 21 SPLINE	1
5	DRV0304046	SPRING PACK	1
6	DRV0389775	SLEEVE, TUBE & INBOARD YOKE 20SP	1
	DRV0388243	SLEEVE, TUBE & INBOARD YOKE 21SP	1
7	DRV0365387	SHIELD CONE 7-RIB	2
8	DRV0087276	BEARING RING	2
9	DRV0389772	OUT SHIELD TUBE OVL	1
	DRV0389776	OUT SHIELD TUBE OVL	1
10	DRV0389773	INN. SHIELD TUBE ROUND	1
	DRV0389777	INN. SHIELD TUBE ROUND	1
11	DRV0365305	SCREW	2
12	CHN0044321	SAFETY CHAIN	2
13	DRV0355155	SUPPORT BEARING	1
14	DRV0383333	DECAL OUT. IN ITEM 11	1
15	DRV0383334	DECAL INN. IN ITEM C	1

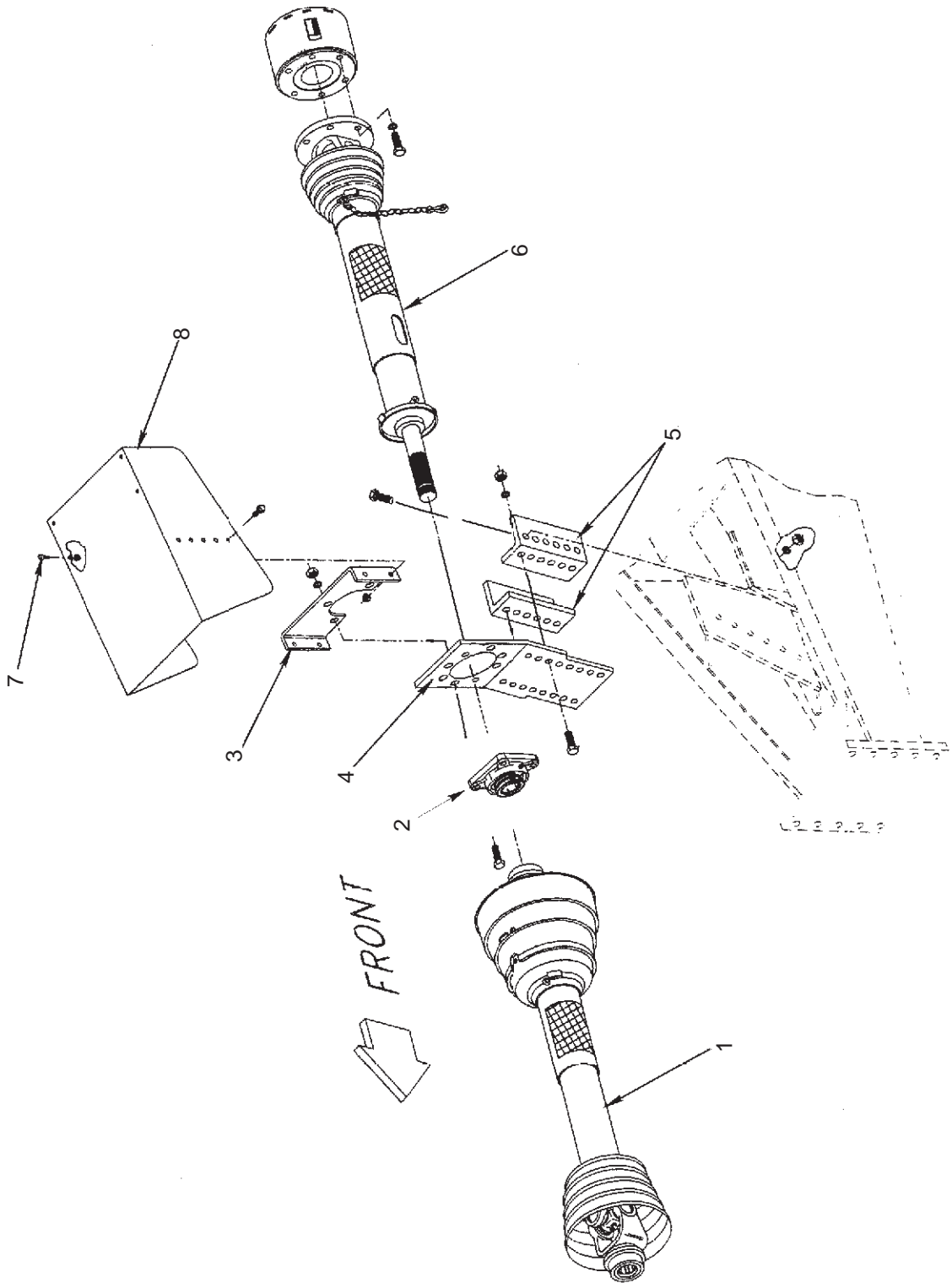
**P.T.O. SHAFT ASSEMBLY**



## P.T.O. SHAFT ASSEMBLY

REF NO.	PART NO.	DESCRIPTION	QTY. USED
1	DRV0323155	FLANGE YOKE	1
2	DRV0312209	U-JOINT KIT F/1500 REAR DRVLIN	1
3	DRV0304046	SPRING PACK	1
4	DRV0097133	INBOARD YOKE S4	1
5	DRV0323756	INNER PROFILE S4	1
6	DRV0389778	S5 PROFILE, SLEEVE,SHEILD SUPPORT1 & STUB SHAFT	1
7	DRV0365556	GUARD RING	1
8	DRV0365385	SHIELD CONE - 5 RIB	1
9	DRV0389780	OUTER SHIELD TUBE OVAL	1
10	DRV0389781	INNER SHIELD TUBE RND	1
11	DRV0087276	BEARING RING	2
12	CHN0044321	SAFETY CHAIN	1
13	DRV0365305	SCREW	2
14	DRV0383333	DECAL OUT. IN ITEM 11	1
15	DRV0383334	DECAL INN. IN ITEM C	1
16	DRV0355155	SUPPORT BEARING	1
17	DRV0380371	ZERK FITTING	1

**3-PIECE P.T.O. DRIVE LINE ASSEMBLY**

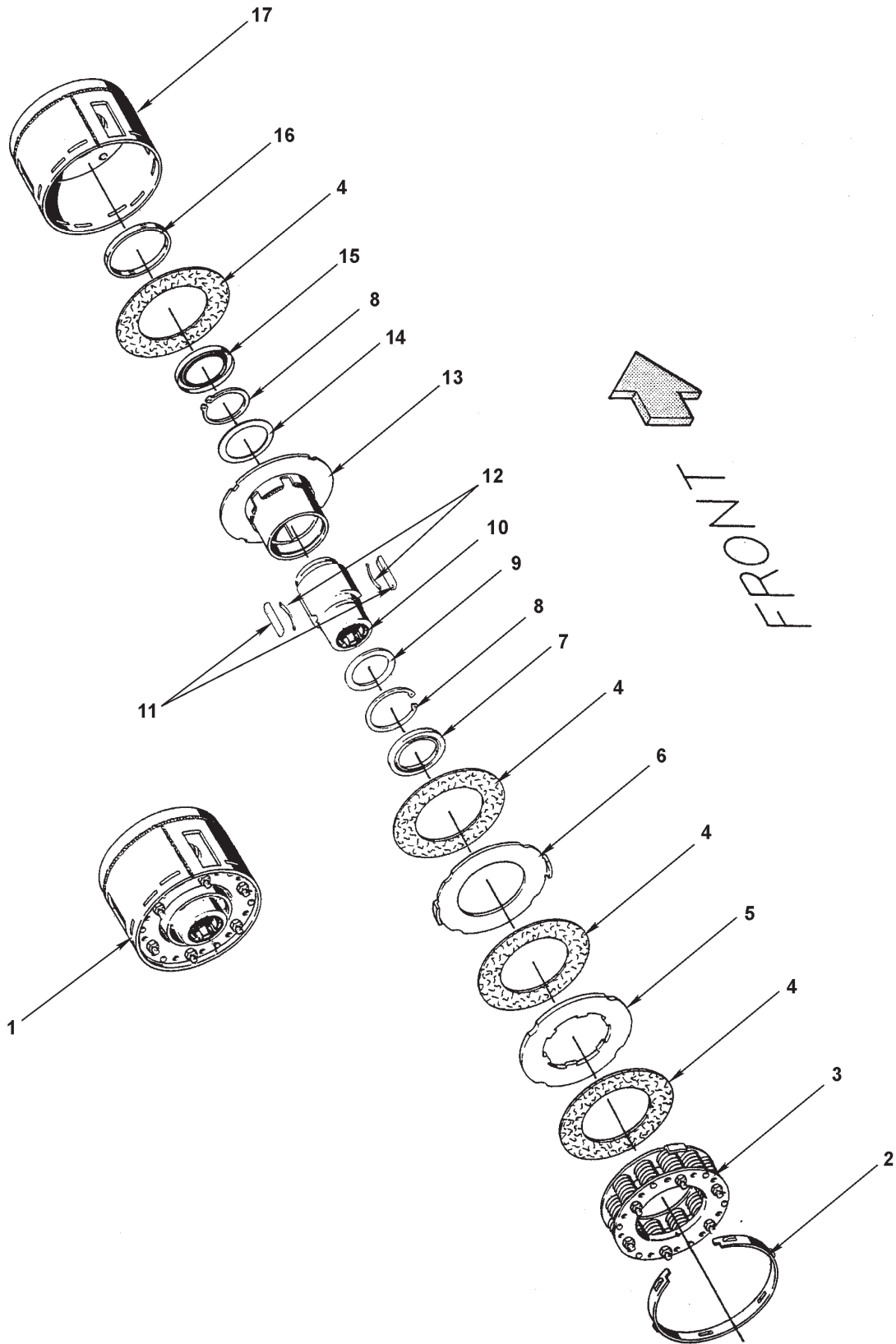




### 3-PIECE P.T.O. DRIVE LINE ASSEMBLY

REF NO.	PART NO.	DESCRIPTION	QTY. USED
1	DRV0389771	1-3/8"X21 FRNT SHF F/3PC DRVLN	1
	DRV0389774	1-3/4"X20 FRNT SHF F/3PC DRVLN	1
2	BRG0000022	HEAVY DUTY CENTER BEARING	1
	SCC0050004	CAPSCREW	4
	WLK0000500	WASHER	4
	NCH0000500	NUT	4
3	BKT0027448	PTO SHAFT SHIELD BRACKET	1
	SCC0050004	CAPSCREW	4
	WLK0000500	WASHER	4
	NCH0000500	NUT	4
4	MNT0028883	PTO SHAFT BRG MNT-A/8-94	1
	SCC0050004	CAPSCREW	4
	WLK0000500	WASHER	4
	NCH0000500	NUT	4
5	ANG0027391	PTO SHF CTR BRG MNT ANGLE	2
	SCC0050004	CAPSCREW	4
	WLK0000500	WASHER	4
	NCH0000500	NUT	4
6	DRV0389779	SECONDARY SHAFT F/3PC DRIVLINE	1
	SCCM112025	CAPSCREW	6
	WLKM100120	12 MM LOCKWASHER - PLATED	6
7	BMP0093769	MOUNT,SANDWICH SNGL STUD	2
	NMS0000250	NUT	2
8	SHD037078E	PTO SHAFT SHIELD -W/DECAL	1
	SMS0000184	BOLT	4
	NMS0000117	NUT	4
	BMP0093769	MOUNT,SANDWICH SNGL STUD	2

**P.T.O. CLUTCH ASSY ASSEMBLY**

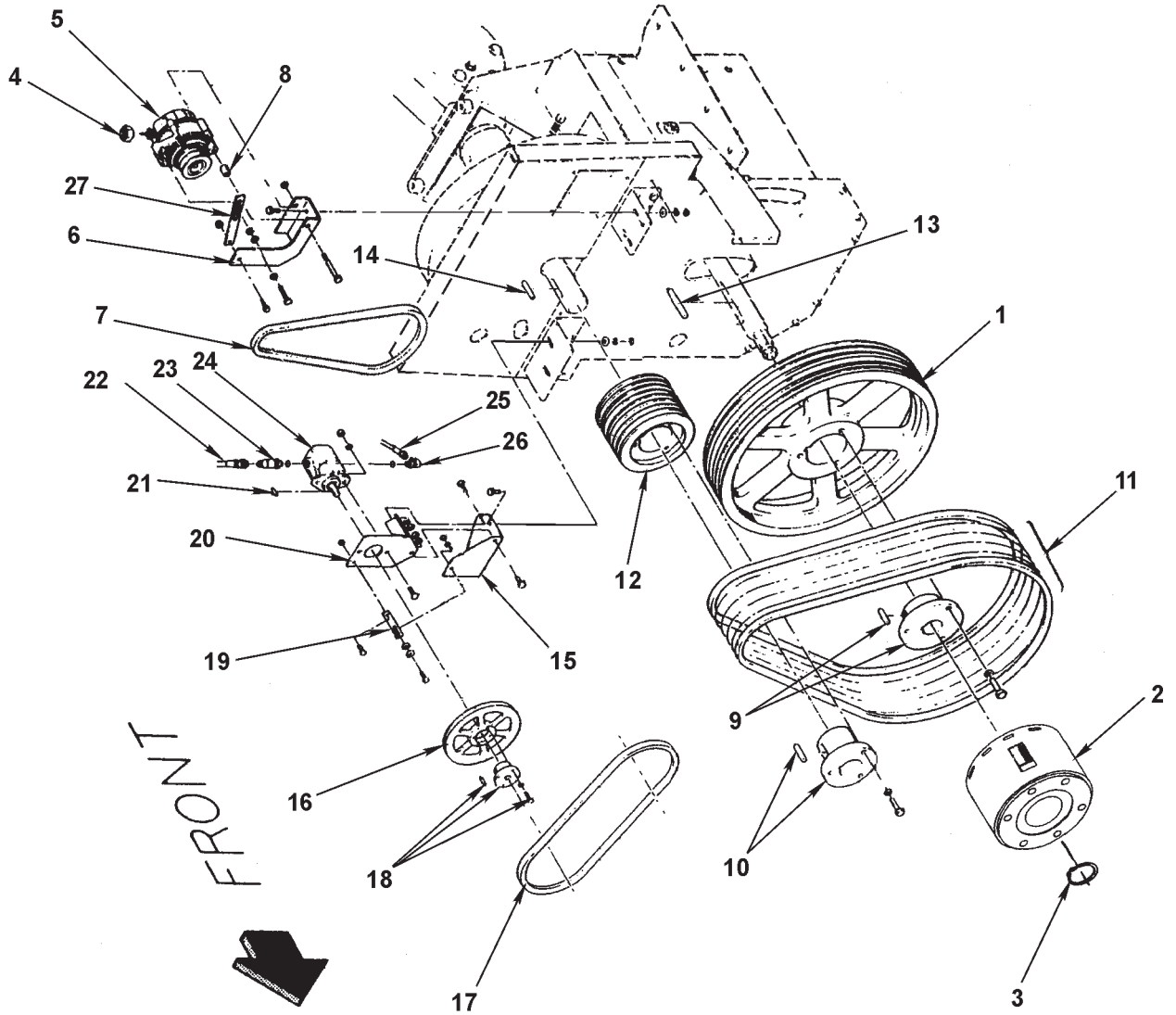


---

## P.T.O. CLUTCH ASSY ASSEMBLY

REF NO.	PART NO.	DESCRIPTION	QTY. USED
1	CLH0388110	TORQUE LIMITER CLUTCH	1
2	RNG0367720	SETTING RING	1
3	CLH0377672	HEAVY DUTY SPRING PACK	1
4	CLH0177009	FRICTION DISK	4
5	PLT0367725	DRIVE PLATE	1
6	PLT0367726	DRIVE PLATE	1
7	RNG0170012	SEALING RING	1
8	RNG0702100	RETAINING RING	2
9	DSK0304235	WASHER	1
10	DRV0388109	HUB 1-3/4" 6 SPLINE	1
11	KEY0331737	KEY	2
12	SPG0332185	LEAF SPRING	2
13	HSN0177008	HOUSING & DRIVE PLATE	1
14	DSK0353203	WASHER	1
15	RNG0175048	SEAL RING	1
16	RNG0367718	RING	1
17	HSN0388108	CLUTCH HOUSING	1

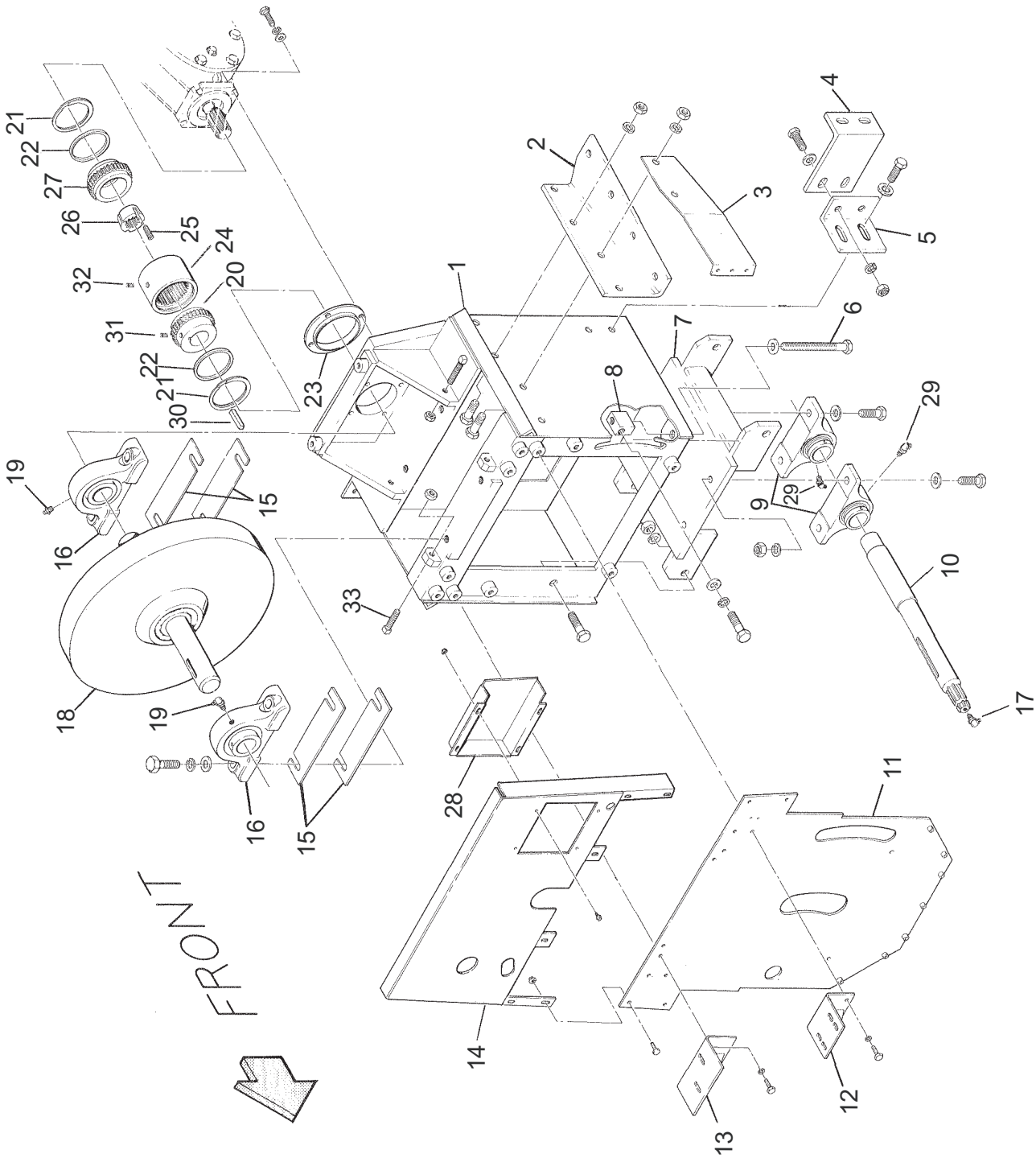
**MECHANICAL DRIVE UNIT**



## MECHANICAL DRIVE UNIT

REF NO.	PART NO.	DESCRIPTION	QTY. USED	REF NO.	PART NO.	DESCRIPTION	QTY. USED
1	SHV0000250	SHEAVE	1		NCH0000375	NUT	2
2	CLH0388110	NEW CLUTCH-TORQUE	1		WCT0000375	WASHER	2
3	RNG5160175	EXTERNAL SNAP RING	1	16	SHV0000079	SHEAVE	1
4	NCHM008125	NUT	1	17	BLT0000042	COG BELT-MECHANICAL DRIVE UNIT	1
5	ALT1002116	ALTERNATOR	1	18	BSH0005625	BUSHING	1
	WCT0000313	WASHER	2		WLK0000250	WASHER	3
	SCCM108035	CAPSCREW	1	19	BKT0015770	TNS CNTRL PUMP TENSION BRACKET	1
	WLKM100080	WASHER	1		SCC0020002	CAPSCREW	1
6	BKT0023414	ALTERNATOR MOUNT BRACKET	1		WCT0000313	WASHER	2
	WLK0000375	WASHER	2		NCH0000313	NUT	1
	SCC0030002	CAPSCREW	2		WLK0000313	WASHER	1
	NCH0000375	NUT	2		SCC0020001	CAPSCREW	1
	WCT0000375	WASHER	2		NCE0000313	NUT	1
7	BLT0000038	ALTERNATOR COG BELT	1	20	MNT0018742	SAE "AA" 2-BOLT PUMP MNT	1
8	SPC0028022	ALTERNATOR SPACER	1		WLK0000375	WASHER	2
	NCE0000375	NUT	1		NCH0000375	NUT	2
	SCC0030013	CAPSCREW	1		SCC0030002	CAPSCREW	2
9	BSH0121875	BUSHING	1	21	ZZ00000403	KEY	1
	WLK0000500	WASHER	3	22	HOS0023494	TENSION PUMP SUCTION HOSE	1
	SCC0050007	CAPSCREW	3	23	HYD5515045	O-RING 90* ELBOW	1
10	BSH0221875	BUSHING	1	24	PMP0022226	LEFT HAND PUMP	1
	SCS0000306	CAPSCREW	3		NCH0000375	NUT	2
	WLK0000375	WASHER	3		SCC0030002	CAPSCREW	2
11	259018	BELT, DRIVE, POWER BAND	2		WLK0000375	WASHER	2
12	SHV0000080	FLYWHEEL & DRIVE SHEAVE	1	25	HOS036690A	TENSION PUMP HOSE	1
13	ZZ00000438	KEY	1	26	HYD5515043	O-RING 90* ELBOW	1
14	F000000072	KEY F/ FLYWHEEL & PINION SHAFT	1	27	BKT0023423	ALTERNATOR BELT TENSION BRACKET	1
15	MNT0023288	TENS CONTROL PUMP MNT BKT	1		SCC0020001	CAPSCREW	1
	WLK0000375	WASHER	2		NCE0000313	NUT	1
	SCC0030002	CAPSCREW	2				

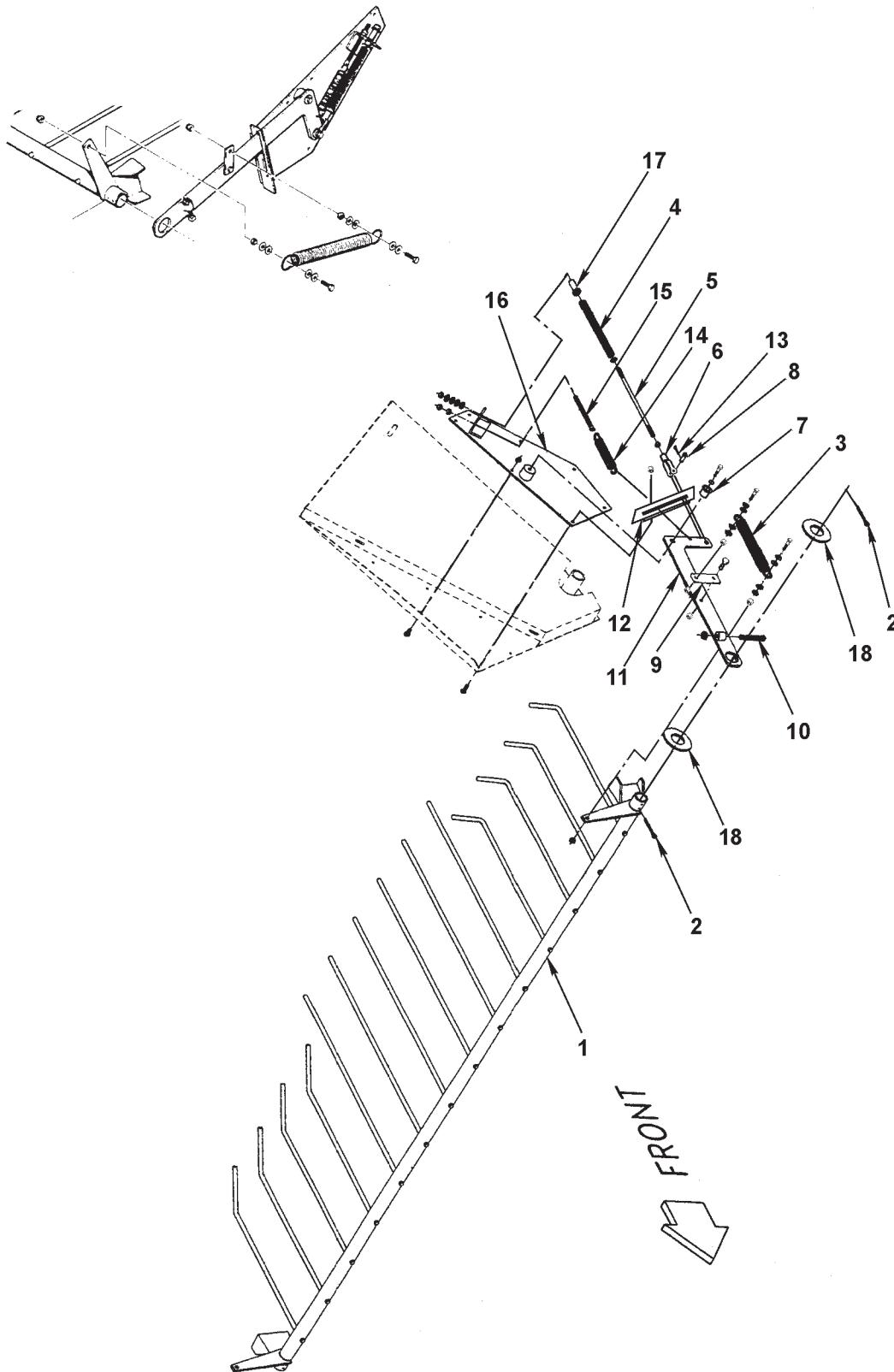
**MECHANICAL DRIVE UNIT ASSEMBLY CONTINUED**



## MECHANICAL DRIVE UNIT ASSEMBLY CONTINUED

REF NO.	PART NO.	DESCRIPTION	QTY. USED	REF NO.	PART NO.	DESCRIPTION	QTY. USED
1	FRM037528E	FLYWHEEL MOUNT FRAME	1	11	SHD0023440	FLYWHEEL FRONT SHIELD BOTTOM	1
2	BKT0216260	L. H. FLYWHEEL FRAME MOUNT BKT	1		SMS0000184	BOLT	4
	BKT0216261	R. H. FLYWHEEL FRAME MOUNT BKT	1		NMS0000117	NUT	4
	WLK0000625	WASHER	4	12	BKT0026243	ALTERNATOR SUPT BKT ASY	1
	NCH0000625	NUT	12		WLK0000375	WASHER	4
	WCT0000625	WASHER	16		SCC0030002	CAPSCREW	4
	SCC0070006	CAPSCREW	8	13	MNT0023468	TENSION PUMP MOUNT ASSY	1
	SCC0070005	CAPSCREW	4		WLK0000375	WASHER	4
3	BKT0233410	L. H. FRT SLEEVE CVR SUPT BKT	1		SCC0030002	CAPSCREW	4
	BKT0233411	R. H. FRT SLEEVE CVR SUPT BKT	1	14	SHD0026246	FLYWHEEL FRT SHD TOP ASSY	1
	WLK0000625	WASHER	4	15	SHM037463A	FLYWHEEL BRG SHIM-10GA	A/R
	NCH0000625	NUT	4		SHM037359A	FLYWHEEL BRG SHIM-16GA	A/R
	SCC0070006	CAPSCREW	4		SHM037360A	FLYWHEEL BRG SHIM-30GA	A/R
4	SUP0021636	ANCHOR SUPPORT	2		SHM037460A	FLYWHEEL BRG SHIM-38GA	A/R
	SCC0070006	CAPSCREW	4	16	BRG2187500	PILLOW BLOCK BRG	2
	WLK0000625	WASHER	4		WAS0000105	WASHER	4
	WCT0000625	WASHER	4		SCC0070008	CAPSCREW	4
	NCH0000625	NUT	4	17	ZZ 0000107	ZERK	1
	WAS0000105	WASHER	4	18	FLW0023253	BALANCED FLYWHEEL	1
5	BKT0025876	FLYWHEEL MNT ANCHOR BKT	2	19	ZZ 0000105	ZERK	2
	SCC0070005	CAPSCREW	4	20	CPL0018917	PMP DR. CPLG. HALF-BORED-WALDR	1
	SCC0070006	CAPSCREW	4		WAS0000103	WASHER	4
	WLK0000625	WASHER	4		WLK0000500	WASHER	4
	WCT0000625	WASHER	4		SCC0050006	CAPSCREW	4
	NCH0000625	NUT	4	21	RNG0149396	RETAINING RING F/SLV0149918	2
6	ROD0015498	DRIVE BELT TAKE UP ROD	1	22	SEL0149223	GREASE SEAL F/SLV0149918	2
	WAS0000118	WASHER	1	23	DPT0018751	PUMP PILOT ADAPTER	1
7	MNT0023278	DRV UNIT BELT TAKEUP	1	24	SLV0149918	SLEEVE	1
	NCH0000750	NUT	4	25	STS4375075	SCREW	3
	WLK0000750	WASHER	4	26	BSH0021617	BUSHING F/CPL21616	1
	SCC0080007	CAPSCREW	4	27	CPL0021616	PUMP DRIVE REAR COUPLING HALF	1
8	BLK0015661	BELT TAKE-UP TIGHTENER BLOCK	1	28	HSG0026245	ALTERNATOR HOUSING	1
	WAS0000118	WASHER	1		NMS0000250	NUT	4
	WLK0000750	WASHER-PLATED	1		SMS0000173	BOLT	4
	SCC0080007	CAPSCREW	1	29	ZZ 0000107	ZERK	2
9	BRG037677D	PILLOW BLOCK BEARING	2	30	ZZ 0000451	KEY	1
	WLK0000625	WASHER	4	31	ZZ 0000104	ZERK	2
	NCH0000625	NUT	4	32	STS3750375	SCREW	2
	WAS0000105	WASHER	4	33	SQS5004000	SCREW	4
	SCC0070008	CAPSCREW	4		NCJ0005000	NUT	4
10	SHF0023255	PRIMARY DRIVE SHAFT	1				

**WIND GUARD ASSEMBLY**

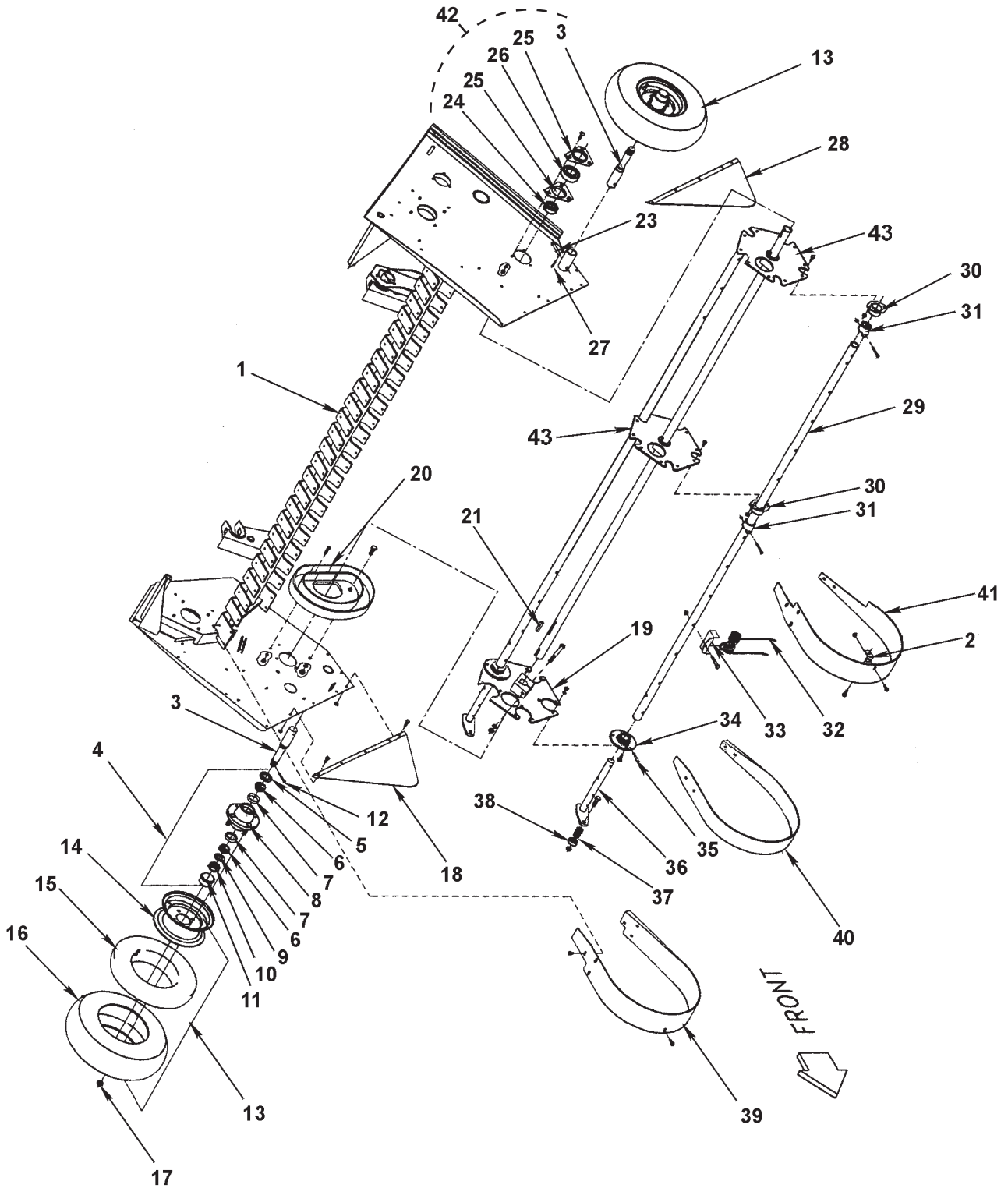




## WIND GUARD ASSEMBLY

REF NO.	PART NO.	DESCRIPTION	QTY. USED	REF NO.	PART NO.	DESCRIPTION	QTY. USED
1	GRD0025282	WIND GRD 98-1/2" -F/93" STD PU	1	10	SQS5004000	SCREW	2
2	COT0000806	COTTER PIN	4		NCJ0000500	NUT	2
3	F 0001517	TRIP SPRING	2	11	LEV2527900	L.H. MNTD WINDGRD SPRING LEVER	1
	NCH0000375	NUT	4		LEV2527901	R.H. MNTD WINDGRD SPRING LEVER	1
	WCT0000375	WASHER	16	12	GUD2527800	L. H. WIND GUARD MOUNT GUIDE	1
	NCE0000375	NUT	4		GUD2527801	R. H. WIND GUARD MOUNT GUIDE	1
	SCC0030004	CAPSCREW	4		NMS0000117	NUT	4
4	SPG0025309	WINDGUARD OVERTRAVEL SPRING	2		SBH0020002	CAPSCREW	4
	WCT0000375	WASHER	2	13	COT0000502	COTTER PIN	2
5	ROD0025329	P/U MNT WINDGRD SPG ADJUST ROD	2	14	SPG0010555	BRAKE ACTUATING CYLINDER SPRNG	2
	WCT0000375	WASHER	8	15	FT 0006205	ADJUSTING SCREW	2
	NFH0000375	NUT	2		NCH0000375	NUT	4
	NFE0000375	NUT-PLATED	2	16	MNT2527600	L.H. OPTIONAL MNTD WINDGRD MNT	1
6	06-125	CLEVIS	2		MNT2527601	R.H. OPTIONAL MNTD WINDGRD MNT	1
7	F 0000440	FERRULE	4		SBH0020001	CAPSCREW	10
	WLK0000375	WASHER	2		NMS0000117	NUT	10
	SCC0030003	CAPSCREW	2	17	SPC0025340	MNTD WINDGRD SPG SPACER/SLIDER	2
8	06-126	CLEVIS PIN	2	18	BSH0505909	MACH BUSH	4
9	LNK0025281	WIND GUARD SPRING LINK	2				
	NCE0000375	NUT	2				
	SCC0030002	CAPSCREW	2				

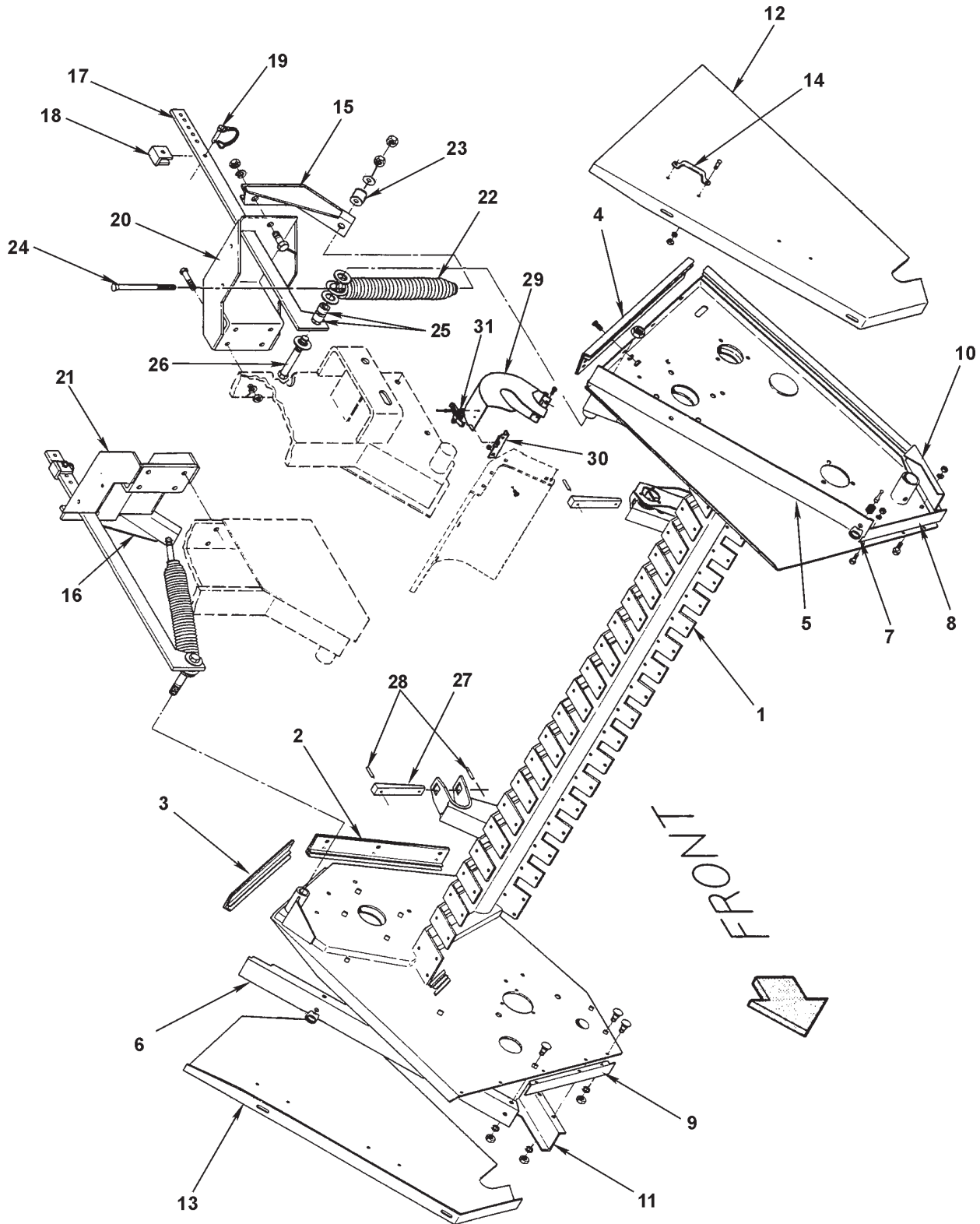
**PICKUP REEL COMPONENTS ASSEMBLY**



## PICKUP REEL COMPONENTS ASSEMBLY

REF NO.	PART NO.	DESCRIPTION	QTY. USED	REF NO.	PART NO.	DESCRIPTION	QTY. USED
1	PCY0028026	P/U FRAME - 93"	1	22	SHF0025191	P/U REEL SHAFT	1
2	PCY0017634	P/U STRIPPER MOUNT ANGLE	2	23	CLV0120014	CLEVIS	2
	SMS0000184	BOLT	1	24	F 0008381	LOCKING COLLAR F/F8102	1
	NCH0000313	NUT	1	25	F 0008383	FLANGETTE-NO ZERK F/F8102	4
3	SPN0017647	P/U WHEEL SPN	2		CRB3751000	BOLT	6
4	HUB0000348	HUB W/BRGS & SEALS	2		WLK0000375	WASHER	6
5	SEL0034823	SEAL F/HUB	2		NCH0000375	NUT	6
6	F 0001909	BEARING CONE	4	26	F 0008380	BEARING & LOCK COLLAR	2
7	F 0001654	OUTER BEARING CUP	4	27	COT0000501	COTTER PIN	2
8	HUB0000BT12	HUB ONLY	2	28	FEN1763200	L. H. PICKUP FENDER FLARE	1
9	ZZ 0000219	MACHINE BUSHING	2		SCC0020002	CAPSCREW	6
10	NFC0010000	NUT	2		SCC0020001	CAPSCREW	4
11	CAP0046749	CAP FOR HUB348	2		NCH0000313	NUT	10
12	COT0000502	COTTER PIN	2	29	BAR0025204	P/U TOOTH BAR PIPE-EXTE OPTION	5
13	WHL0401530	WHL/TIR ASSY 4 X 8	2	30	HSN0017505	P/UP TOOTH BAR BRG HSG-ASSEMBL	10
14	WHL0412530	WHEEL-8 X 3.75(4 ON 4)P/U	2	31	BRG0017508	NYLON TOOTH BAR BEARING	10
15	TIR0199128	TUBE F/TIR4008	2		SCC0010006	CAPSCREW	10
16	TIR0004008	TIRE F/1500 P/U(400X8 4 PLY)	2		NCE0000250	NUT	10
17	SMS0005393	LUG BOLT	8	32	PCY0013464	PICKUP FINGER	65
18	FEN1763201	R. H. PICKUP FENDER FLARE	1	33	MNT0013456	PICKUP TOOTH MOUNT	65
	SCC0020002	CAPSCREW	6		SFC0030007	CAPSCREW	65
	SCC0020001	CAPSCREW	4		NFX0000375	NUT	65
	NCH0000313	NUT	10	34	BRG0001101	TOOTH BAR BEARING	5
19	PCY0023053	PICK UP REEL PLATE	1	35	ZZ 0000715	ROLL PIN	5
	SCC0050011	CAPSCREW	3	36	LEV0023055	TOOTH BAR CAM LEVER	5
	NCH0000500	NUT	3		SCC0800505	CAPSCREW	5
	WLK0000500	WASHER	3		NCJ0000500	NUT	5
	SCC0020001	CAPSCREW	20		WAS0000104	WASHER	5
	NCH0000313	NUT	20	37	BSH0006231	CAM LEVER ROLLER BUSH 60"+70"	5
	CRB3751000	BOLT	10	38	BRG0002029	CAM FOLLOWER BEARING 1/2"BORE	5
	WLK0000375	WASHER	10	39	PCY0025861	P/U RIGHT HAND STRIPPER	1
	NCH0000375	NUT	10		SMS0000198	BOLT	6
20	CAM0017414	PICKUP REEL CAM	1		SMS0000184	BOLT	1
	SCC0050003	CAPSCREW	1	40	PCY0025860	P/U CENTER STRIPPER	25
	SCC0000303	CAPSCREW	1		SMS0000198	BOLT	100
	WLK0000375	WASHER	1	41	PCY0025859	P/U LEFT HAND STRIPPER	1
	NCH0000375	NUT	1		SMS0000198	BOLT	5
	NCH0000500	NUT	1		SMS0000184	BOLT	1
	WLK0000500	WASHER	71	42	F000008102	BEARING ASSY F/PICKUP SHAFT	2
21	F 0007904	KEY	3	43	PCY0017501	CENTER & LH REEL PLATE	2

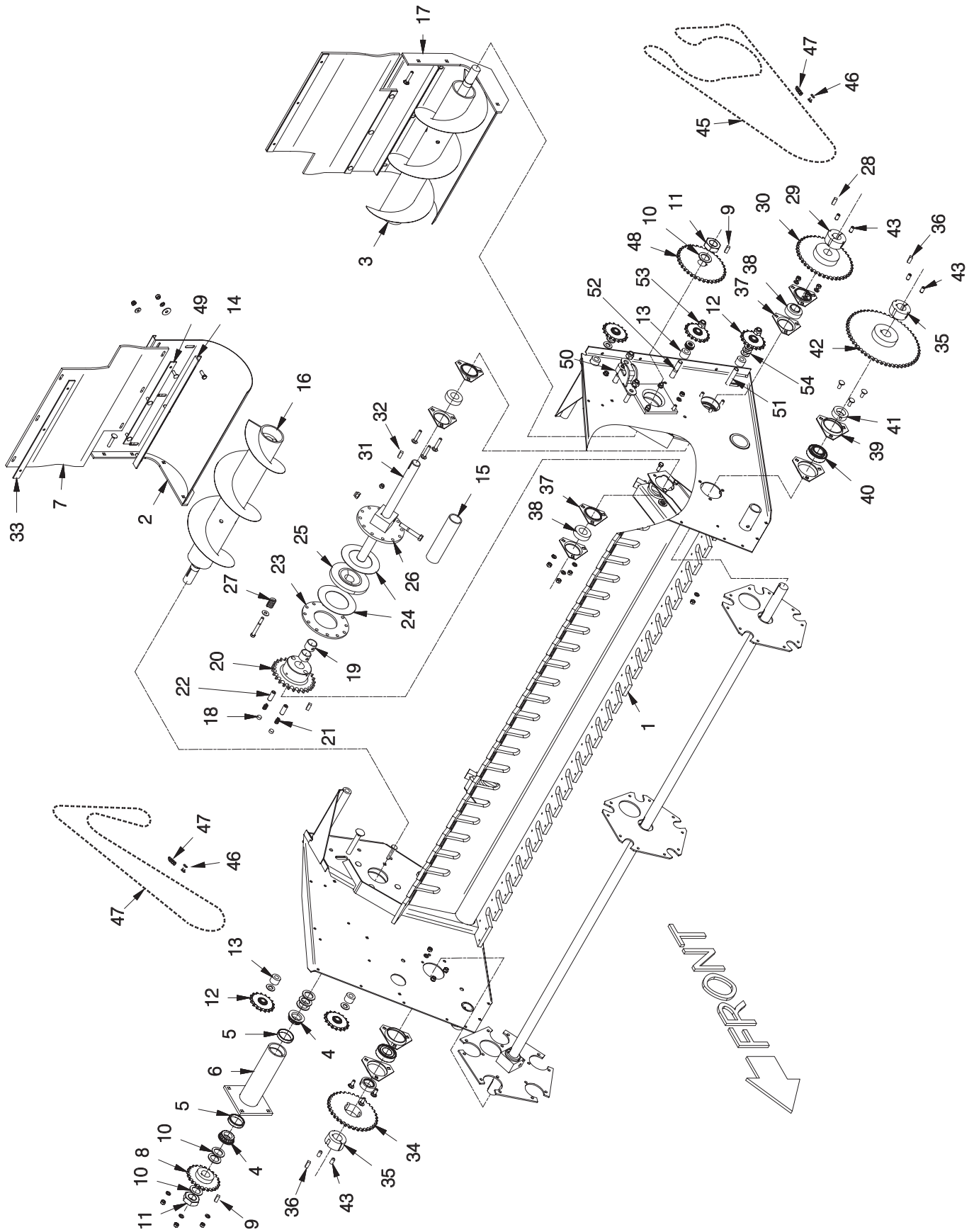
**PICKUP SHIELDS AND MOUNTS ASSEMBLY**



## PICKUP SHIELDS AND MOUNTS ASSEMBLY

REF NO.	PART NO.	DESCRIPTION	QTY. USED	REF NO.	PART NO.	DESCRIPTION	QTY. USED
1	PCY0028026	P/U FRAME - 93"	1	15	BKT1616200	L. H. P/U LIFT SPRING BRACKET	1
2	GUD0018010	P/U SHIELD GUIDE ASSEMBLY	1		SCC0070003	CAPSCREW	1
	SCC0020001	CAPSCREW	3		WLK0000625	WASHER	1
	NCH0000313	NUT	3		NCH0000625	NUT	1
	WLK0000313	WASHER	3	16	BKT1616201	R. H. P/U LIFT SPRING BRACKET	1
3	GUD0018011	P/U SHIELD GUIDE ASSEMBLY	1		SCC0070003	CAPSCREW	1
	SCC0020001	CAPSCREW	2		WLK0000625	WASHER	1
	NCH0000313	NUT	2		NCH0000625	NUT	1
	WLK0000313	WASHER	2	17	ARM0015684	LIFT ARM F/PICKUP	2
4	GUD0018012	P/U SHIELD GUIDE ASSEMBLY	1	18	BKT0015687	P/UP LIFT STOP BRACKET	2
	SCC0020001	CAPSCREW	2	19	PIN0375125	SNAPPER PIN	2
	NCH0000313	NUT	2	20	BKT2350200	LH P/U LIFT SPRG ANCHOR BKT	1
	WLK0000313	WASHER	2		SCC0030003	CAPSCREW	4
5	SHD2734400	LH P/U SIDE SHIELD SUPT.	1		WLK0000375	WASHER	4
	CRB3130750	BOLT	3		NCH0000375	NUT	4
	NCH0000313	NUT	3	21	BKT2350201	RH P/U LIFT SPRG ANCHOR BKT	1
	WLK0000313	WASHER	3		SCC0030003	CAPSCREW	4
6	SHD2734401	RH P/U SIDE SHIELD SUPT.	1		WLK0000375	WASHER	4
	CRB3130750	BOLT	3		NCH0000375	NUT	4
	NCH0000313	NUT	3	22	SPG0017462	PICKUP LIFT SPRING	2
	WLK0000313	WASHER	3		NCH0000625	NUT	4
7	FST0010401	MED DUTY FOLDING HANDLE FASTNR	4		WCT0000625	WASHER	8
8	SUP1763500	LH PICKUP SHIELD SUPPORT	1	23	BSH0501129	BUSHING	2
	SCC0020002	CAPSCREW	3	24	ANC0016029	PICKUP LIFT SPRING ANCHOR	2
	NCH0000313	NUT	3	25	SPC0016659	P/UP LIFT SPRING ANCHOR SPACER	4
	WLK0000313	WASHER	3	26	ROD0025263	P/U BALANCE SPG ROD F/EXTEND	2
9	SUP1763501	RH PICKUP SHIELD SUPPORT	1		NCE0000625	NUT	2
	SCC0020002	CAPSCREW	3	27	PIN0015507	PICKUP PIVOT PIN	2
	NCH0000313	NUT	3	28	ZZ 0000705	ROLL PIN	4
	WLK0000313	WASHER	3	29	SHD0502998	SHIELD - PICKUP CLUTCH	1
10	SHD5076881	LH P/U BACKING SHIELD	1		SMS0000184	BOLT	2
	SCC0020001	CAPSCREW	2		NCH0000313	NUT	2
	NCH0000313	NUT	2		WLK0000313	WASHER	2
	WLK0000313	WASHER	2	30	BKT0502999	BRACKET-PICKUP CLUTCH SHIELD	1
11	SHD5076890	RH P/U BACKING SHIELD	1		CRB3130750	BOLT	2
	SCC0020001	CAPSCREW	2		NCH0000313	NUT	2
	NCH0000313	NUT	2	31	CLP0000130	HOOK-TYPE FASTENER	1
	WLK0000313	WASHER	2		RIV0000604	GRIP RIVET	2
12	SHD0027343	LEFT P/U SHIELD	1				
13	SHD0027342	RIGHT P/U SHIELD	1				
14	HAN0000150	PLATED DOOR HANDLE	4				
	SMF1032500	SCREW	8				
	WLK0000100	WASHER	8				
	NFH0001032	NUT	8				

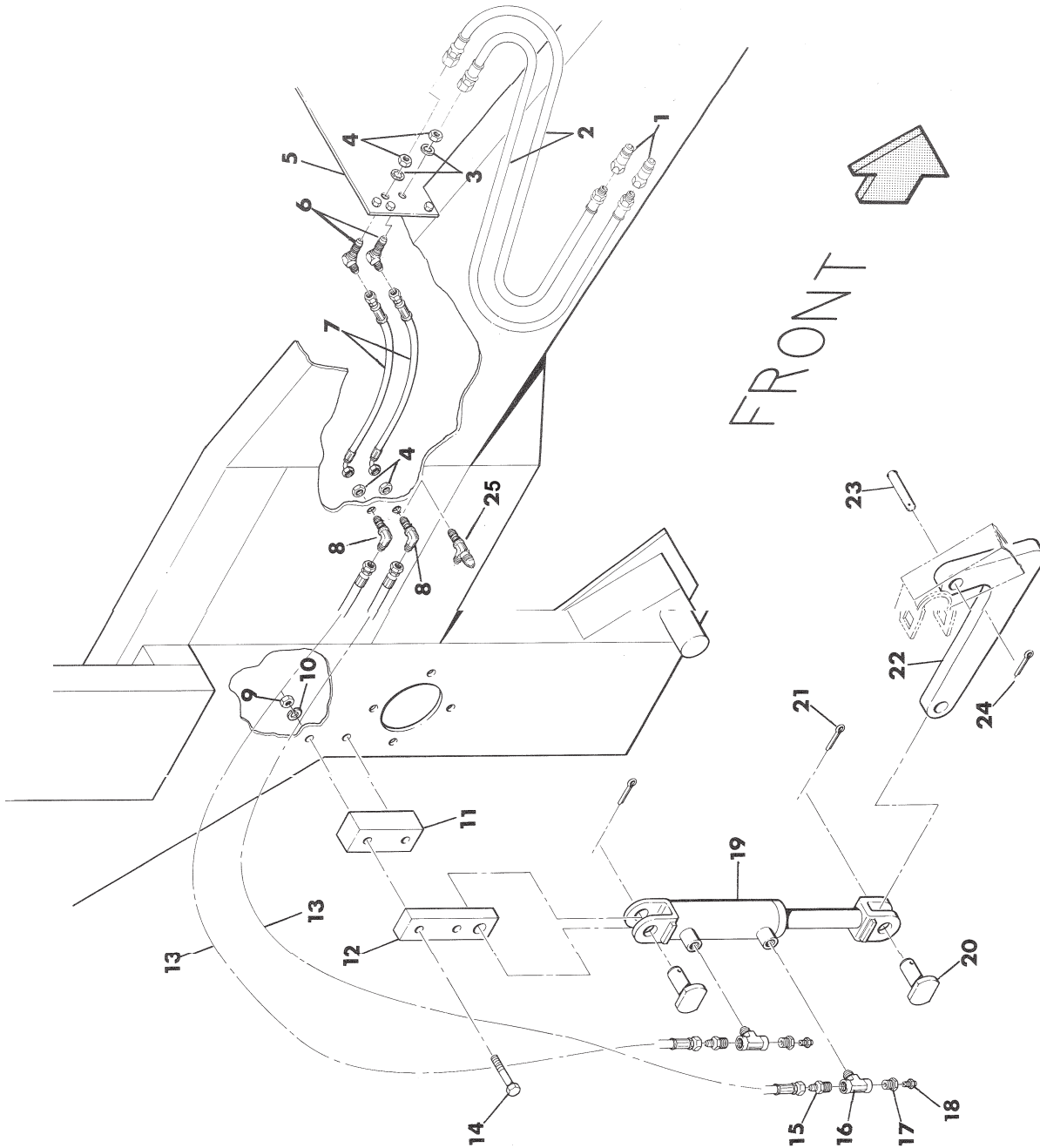
**PICKUP AUGER AND DRIVE COMPONENTS ASSEMBLY**



## PICKUP AUGER AND DRIVE COMPONENTS ASSEMBLY

REF NO.	PART NO.	DESCRIPTION	QTY. USED	REF NO.	PART NO.	DESCRIPTION	QTY. USED
1	PCY0028026	P/U FRAME - 93"	1		SCC0030011	CAPSCREW	2
2	AUG0026179	RH P/U AUGER TROUGH -	1		WCT0000375	WASHER	2
	CRB3752000	BOLT	4		NCE0000375	NUT	2
	09411507	NUT	4	28	ZZ 0000406	KEY	1
3	AUG0025184	P/U RHT AUGER ASSY-EXT OPTION	1	29	BSH1252012	BUSHING 1-1/4"BORE	1
4	BRG0067000	BEARING COMPLETE	2	30	SPK0005041	SPROCKET TAPER LOCK	1
5	F 0008011	OUTER WHEEL BEARING CUP	2	31	SHF0025234	93" PICKUP DRIVE SHAFT	1
6	HSN0027989	EXTEND P/U AUGER BRG HSN-	2	32	ZZ 0000454	KEY	2
	CRB3752000	BOLT	8	33	BAR0026169	UPPER DEFLECTOR BLT RETAIN BAR	2
	WLK0000375	WASHER	8		NMS0000250	NUT	6
	NCH0000375	NUT	8		SMT0001001	SCREW	6
7	BLT0026167	TROUGH HAY DEFLECTOR BELT	2	34	SPK0000536	SPROCKET	1
8	SPK0005023	SPK 1-1/4BORE 1/4	1	35	BSH0001021	KEYWAY BUSHG	1
9	ZZ 0000406	KEY	2	36	ZZ 0000438	KEY	1
10	WAS0015783	HARDENED ZZ228 MACHINE BUSHING	9	37	BRG0000063	FLANGETTE	4
11	NEJ0001250	NUT	2		SCC0030002	CAPSCREW	3
12	253391	SPROCKET IDLER	5		SCC0030006	CAPSCREW	3
	253935	BOLT	2		WLK0000375	WASHER	6
	062X040C8	CAPSCREW	3		NCH0000375	NUT	6
	224121	NUT	5	38	BRG0000103	1-1/4"(2)BOLT BEARING+COLLAR	2
13	901659	P/UP IDLER SPROCKET SPACER	2	39	F 0008383	FLANGETTE-NO ZERK F/F8102	2
14	900400	SCRAPER WLDMT;*A; 1592D AUGER	2		CRB3750100	BOLT	3
15	GRD0506144	PICKUP DRIVE SHAFT GUARD	2		WLK0000375	WASHER	3
16	AUG0025183	P/U LEFT AUGER ASSY-EXTEN	1		NCH0000375	NUT	3
17	AUG0026178	LH P/U AUGER TROUGH 93"-	1	40	F 0008380	BEARING & LOCK COLLAR F/F8102	1
	CRB3752000	BOLT	4	41	F 0008381	LOCK COLLAR	1
	09411507	NUT	4	42	SPK0000554	SPROCKET -	1
18	HYD3169030	PIPE PLUG	2	43	SCO0000403	CAPSCREW	2
19	BRG0020016	P/U DRIVE SHAFT BUSHING	3	44	904192	CHAIN	1
20	SPK0017769	P/UP DRIVE SPROCKET	1	45	904193	CHAIN	1
21	F 0001790	COMPRESSION SPRING F/PTO CLTCH	2	46	F 0000025	CONNECTING LINK	2
22	F 0001791	CLUTCH PIN	2	47	F 0000123	OFFSET LINK	2
23	CLH0017849	P/U CLUTCH DISC -	1	48	SPK0005035	SPK 1-1/4BORE 1/4	1
24	F 0001793	FRICTION DISC F/PTO CLUTCH	4		ZZ 0000406	KEY	1
25	CLH0017767	PICKUP DRIVE CLUTCH	1	49	900400	SCRAPER WLDMT;*A; 1592D AUGER	2
26	CLH0017773	P/UP CLUTCH ADAPTER	1		NMS0000250	NUT	6
	SCC0050011	CAPSCREW	1		SMT0001001	SCREW	6
	WLK0000500	WASHER	1	50	901690	BASE WLDMT,SPROCKET	1
	NCH0000500	NUT	1	51	253935	BOLT	2
27	F 0001797	CLUTCH PLT COMPRESSION SPRING	2	52	00271570	CAPSCREW	3
				53	00274821	NUT	5
				54	235464	WASHER	A/R

**HYDRAULIC PICKUP LIFT ASSEMBLY**

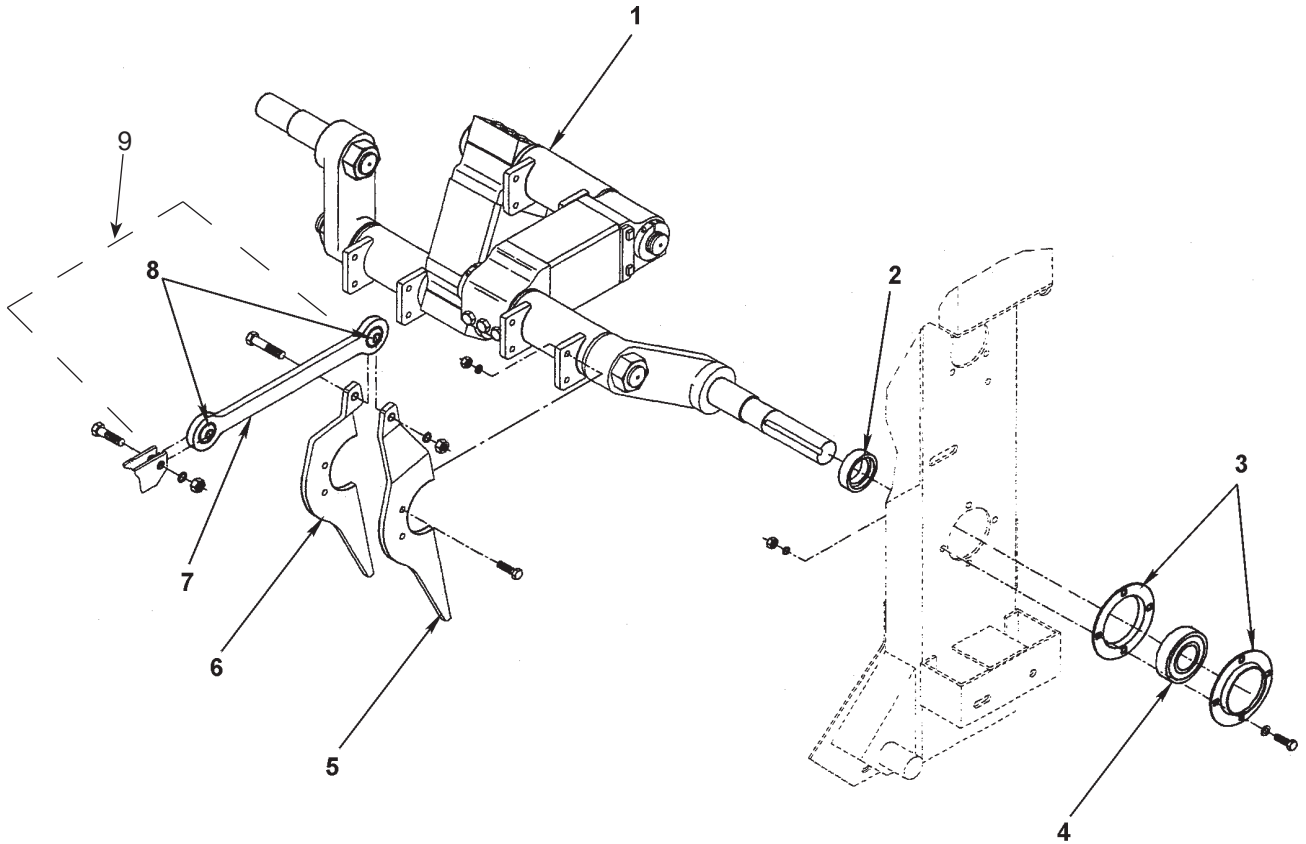




## HYDRAULIC PICKUP LIFT ASSEMBLY

REF NO.	PART NO.	DESCRIPTION	QTY. USED
1	CPL0080104	HYDRAULIC QUICK COUPLER	2
2	HOS0016658	HOSE-PICKUP LIFT SUPPLY	2
3	247763	WASHER	4
4	HYD5924030	NUT	4
5	SHD0023442	SHEAVE FRONT LOWER SHIELD	1
6	HYD5375030	BLKHD UNION ELBOW	2
7	HOS0024293	LONG P/U LIFT HSE	2
8	HYD5525030	BLKHD UNION ELB	2
9	234921	NUT	2
10	234665	WASHER	2
11	SPC0024097	PICKUP LIFT MNT SPACER	1
12	MNT0024096	PICKUP LIFT CYLINDER MOUNT	1
13	HOS0020760	PICKUP LIFT CYL HOSE	2
14	R13811083	CAPSCREW	2
15	209755	MALE CONN	2
16	HYD3609030	STEEL MALE BRANCH TEE	2
17	209501	STEEL PIPE BUSHING	2
18	HYD0000705	MULTI-PURPOSE AIR VENT	2
19	CYL0000205	PICKUP LIFT CYLINDER F/1500 -1592	1
20	HYP000FA2P	CLEVIS PIN FOR CYL205	2
21	212255	COTTER PIN PLATED	2
22	ARM0027984	ARM ,P/U LIFT	1
23	CLV0120045	CLEVIS PIN	1
24	COT0000503	COTTER PIN	1
25	HYD5726030	BULKHEAD RUN TEE	1

**FEEDER CRANK AND TINES ASSEMBLY**

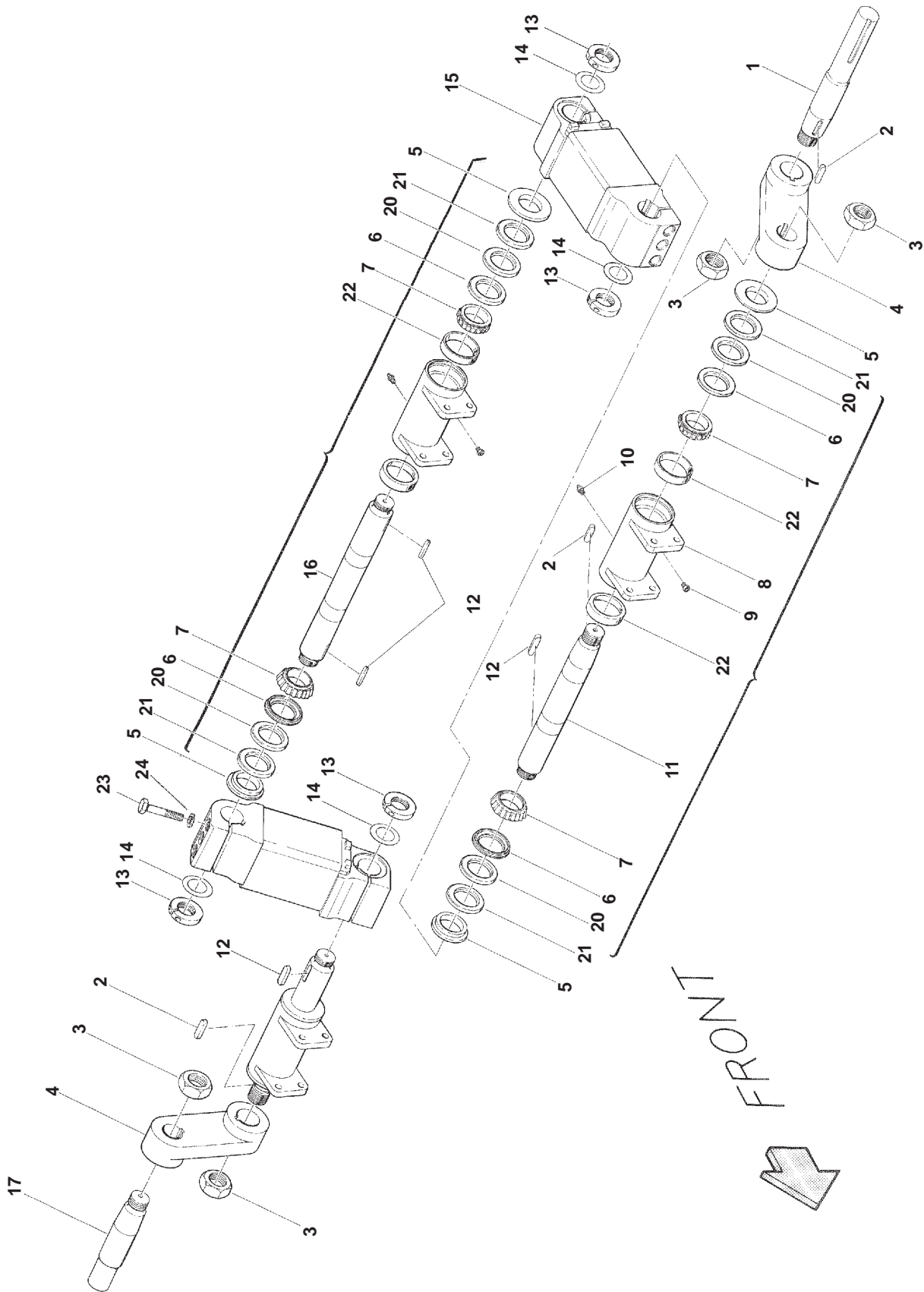


➔ FRONT

## FEEDER CRANK AND TINES ASSEMBLY

REF NO.	PART NO.	DESCRIPTION	QTY. USED
1	SHF0023127	FEEDER CRANK SHAFT ASSEMBLY	1
2	BRG0002002	LOCK COLLAR	2
3	BRG0002001	BEARING STAMPING F/BRG2000	4
	WAS0000104	WASHER	8
	SFC0080504	CAPSCREW	8
	NFH0080500	NUT	8
4	BRG0002000	1ST FEEDER 1592 CRANK BEARING	2
5	TIN0231340	L. H. FEED CRANK TINE	3
	WLK0000500	WASHER	6
	NFH0080500	NUT	6
	SFC0080500	CAPSCREW	6
6	TIN0231341	R. H. FEED CRANK TINE	3
	WLK0000500	WASHER	6
	NFH0080500	NUT	6
	SFC0080500	CAPSCREW	6
7	LNK0023133	FEEDER TINE LINK	3
	SCC0070007	CAPSCREW	3
	SCC0070010	CAPSCREW	3
	WLK0000625	WASHER	6
	NCH0000625	NUT	6
8	BRG0106250	1ST FEEDER TINE LINK BRG	6
9	LNK0231330	FEEDER TINE LINK ASSY	1

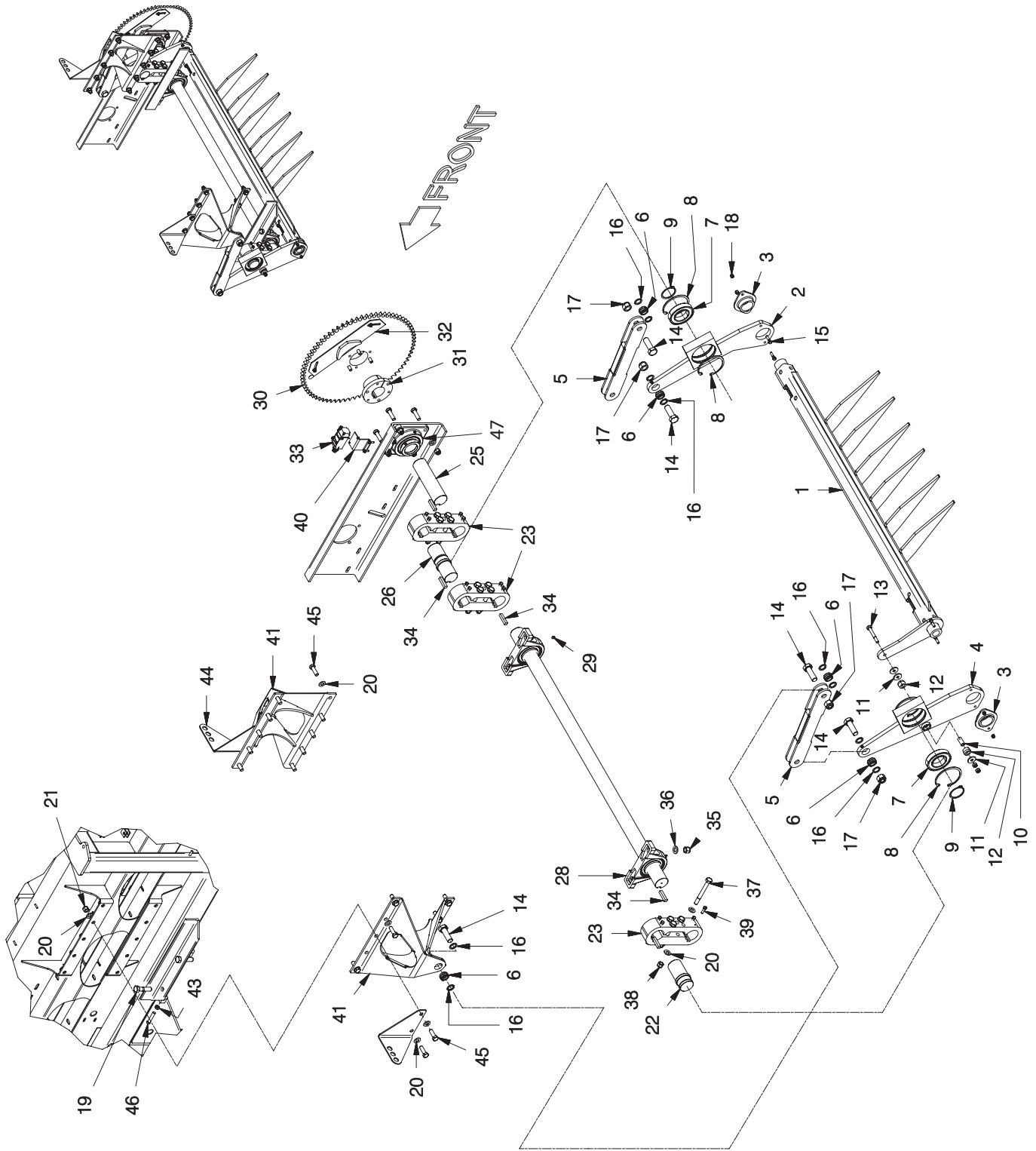
**FEEDER CRANK ASSEMBLY**



## FEEDER CRANK ASSEMBLY

REF NO.	PART NO.	DESCRIPTION	QTY. USED
1	SHF0023130	LEFT BEARING SHAFT	1
2	ZZ 0000453	KEY	3
3	NMS0023666	NUT	4
4	ARM0023120	FEEDER CRANK ARM	2
5	RNG0023161	THRUST RING	6
6	KITV507949	BEARING SEAL	6
7	BRG0507949	BRG-TAPERED ROLLER	6
8	HSN0023116	BEARING HOUSING	3
9	LUB0047200	STRAIGHT RELIEF FITTING	3
10	ZZ 0000103	ZERK	3
11	SHF0023129	CRANK SHAFT	2
12	ZZ 0000451	KEY	4
13	LOK0017500	LOCK COLLAR	4
14	ZZ 0000203	MACHINE BUSHING	A/R
15	ARM0023168	FEEDER CRANK ARM	2
	WLK0000750	WASHER	12
	SCC0000812	CAPSCREW	12
16	SHF0023128	CRANK SHAFT	1
17	SHF0023131	RIGHT BEARING SHAFT	1
18	SHF0023203	SHAFT ASSY DETAIL( INC. 5-10 & 16)	1
19	SHF0023204	SHAFT ASSY DETAIL( INC. 5-11)	2
20	SPC0034397	FEEDER BEARING SEAL SPACER	6
21	FLT0034591	FEEDER BEARING SEAL FELT	6
22	BRG0507910	BEARING CUP-	6
23	SCC0000812	CAPSCREW	12
24	WLK0000750	WASHER	12

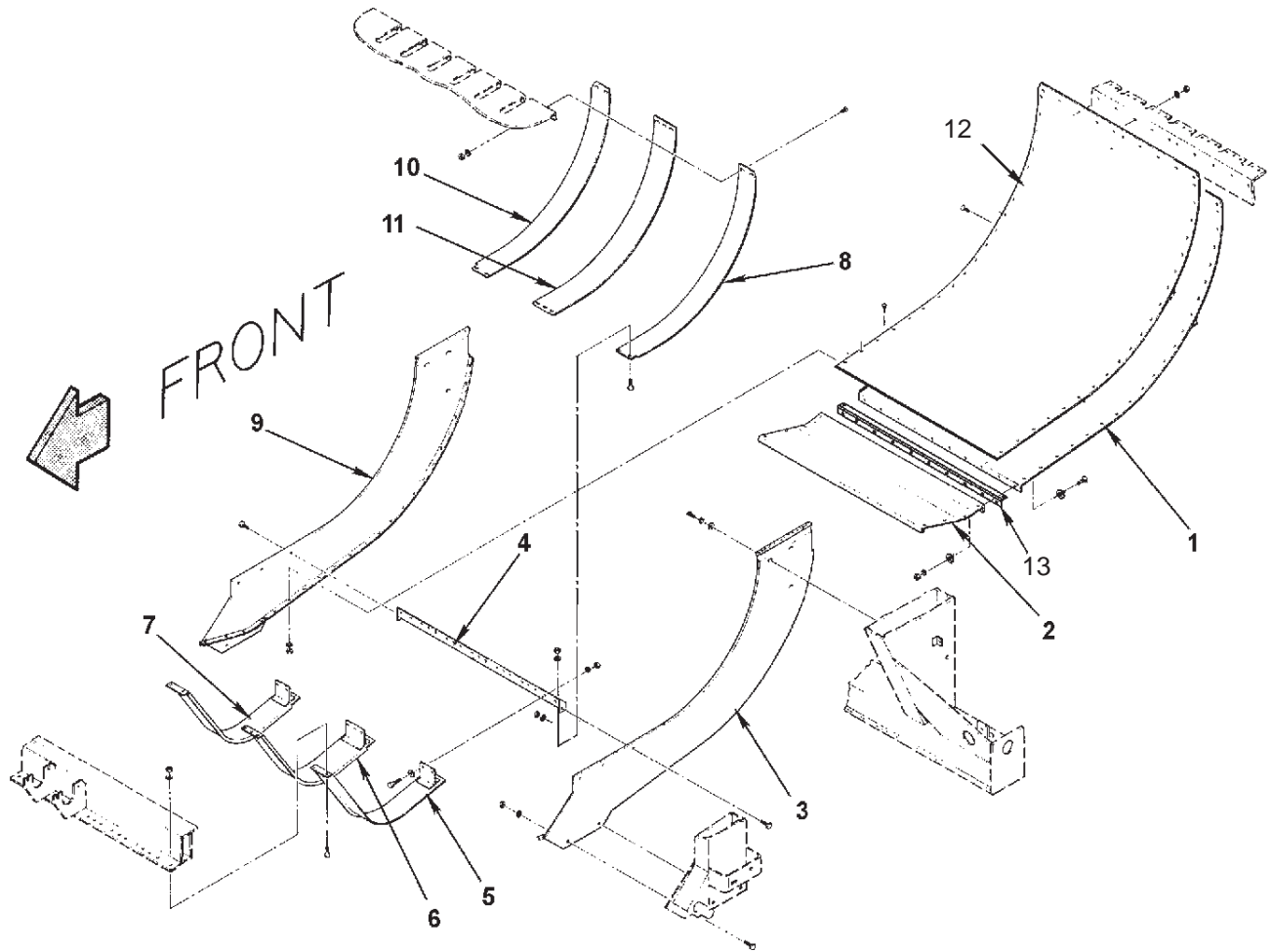
**FEED FORK ASSEMBLY**



## FEED FORK ASSEMBLY

REF NO.	PART NO.	DESCRIPTION	QTY. USED	REF NO.	PART NO.	DESCRIPTION	QTY. USED
1	901876	TINE ASSY,FEED FORK;*C; 1592D	1	25	SHF036496D	SHAFT,DRIVE	1
2	900380	ARM ,RH	1	26	SHF0035371	SHAFT,RH;C;	1
3	BRG036008B	BEARING, FEED FORK FLAT	2	27	SHF0035372	SHAFT	1
4	900381	ARM ,LH	1	28	BRG0268250	BEARING	2
5	901555	LINK FEED FORK CRANK SHAFT	2	29	ZZ00000105	ZERK	2
6	Y088307.5	BEARING, SELF ALIGNING	6	30	SPK0028041	FEED FORK SPROCKET	1
7	BRG0000008	BEARING	2	31	BSH0026875	BUSHING F/1592 DRIVE SPROCKET	1
8	204770	RING, SNAP	2	32	CAM0013897	FEEDER SWITCH CAM	1
9	Y435242.62	RING RETAINING EXT	2	33	SWI0CH5079	SWITCH, LIMIT	1
10	SLV0018935	SHOCK BUSHING BOLT SLEEVE	1	34	ZZ00000456	KEY STOCK	1
11	WAS0020049	WASHER FOR RUBBER BUSHING	3	35	R13811196	NUT	4
12	BSH0001026	BUSHING	2	36	R13811457	WASHER	4
13	SFC0080513	CAPSCREW	1	37	SFC8625600	CAPSCREW	12
14	R13801898	CAPSCREW	4	38	R13803604	NUT	12
15	Y17C-0624	CAPSCREW	8	39	SQS3751250	SCREW	12
16	WAS0000110	WASHER	4	40	BKT0017448	SWITCH BRACKET	1
17	R13803587	NUT	4	41	901560	MOUNTING WLDMT,FEED LINK	1
18	R13811191	NUT	4	42	901585	PL,LH GUIDE	1
19	R13811150	CAPSCREW	4	43	234218	NUT	4
20	235464	WASHER	20	44	901586	PL,RH GUIDE	1
21	R13811195	NUT	24	45	235590	CAPSCREW	20
22	SHF0035370	SHAFT,LH;C;	1	46	SQS5002500	SETSCREW	4
23	CRA036495E	PL,CRANK	3	47	BRG0268750	BEARING	1

**INFEEED CHUTE ASSEMBLY**

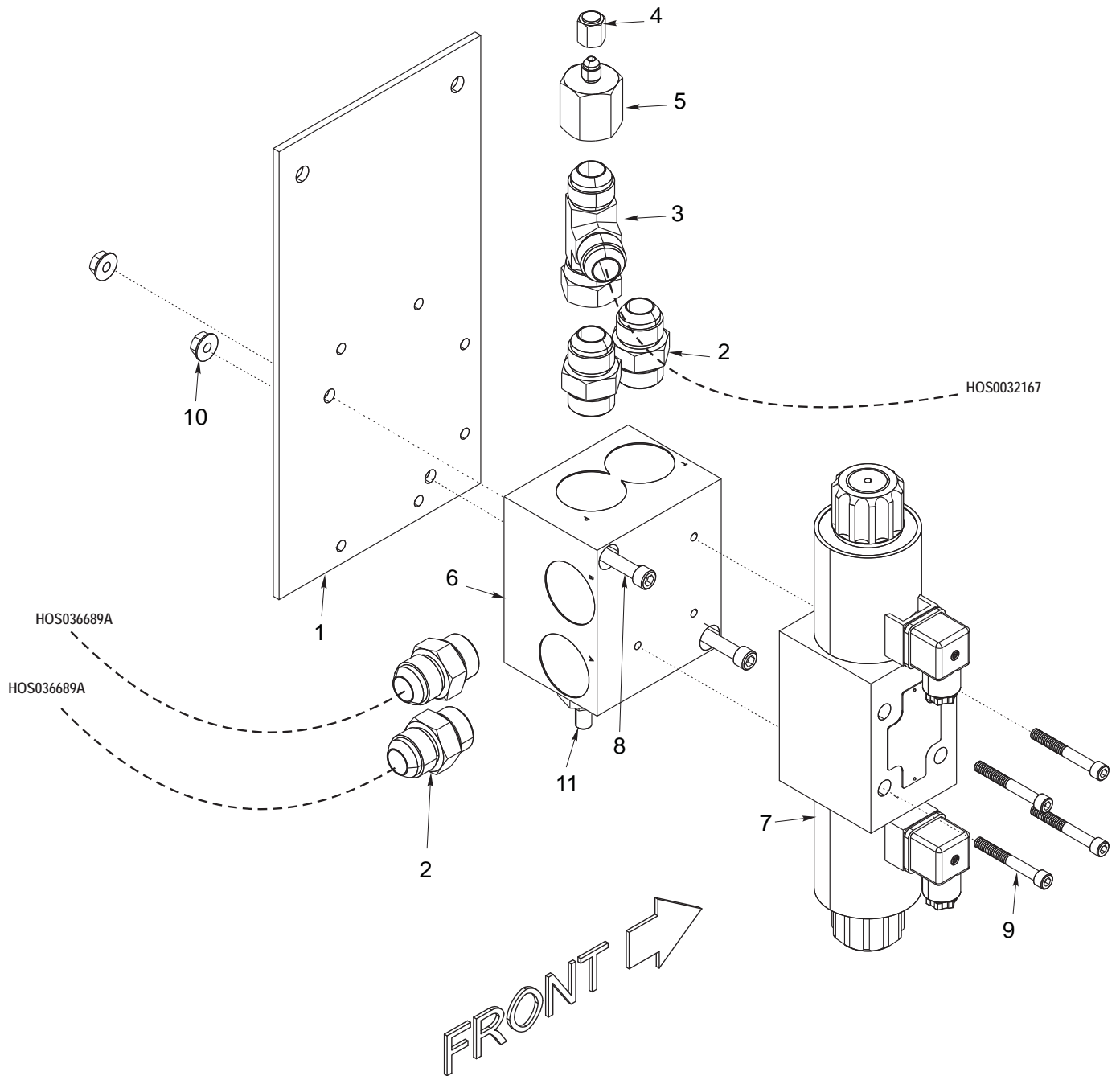




## INFEED CHUTE ASSEMBLY

REF NO.	PART NO.	DESCRIPTION	QTY. USED	REF NO.	PART NO.	DESCRIPTION	QTY. USED
1	CHU0022765	INFEED CHUTE REAR PAN ASY	1		CRB3130100	BOLT	2
	CRB3130100	BOLT	10		SCC0020002	CAPSCREW	2
	NCH0000313	NUT	10		NCH0000313	NUT	4
	WCT0000313	WASHER	10		WCT0000313	WASHER	4
2	CHU0022767	INFEED CHUTE FRONT PAN	1	8	GRD2521300	LFT OUTSIDE CHUTE GRD-MODIFIED	1
	SCC0020002	CAPSCREW	10		CRB3130100	BOLT	2
	WCT0000313	WASHER	10		SCC0020002	CAPSCREW	2
	NCH0000313	NUT	10		NCH0000313	NUT	4
3	CHU0028810	LFT INFEED CHUTE SIDE PLT-A/94	1		WCT0000313	WASHER	4
	CRB2500075	BOLT	20	9	CHU0028811	INFEED CHUTE RHT SIDE PLT-A/94	1
	NCH0000250	NUT	20		CRB2500075	BOLT	20
	SBH0003001	BUTTON HD	2		SBH0003001	BUTTON HD	2
	WLK0000375	WASHER	5		SCC0030003	CAPSCREW	5
	WCT0000375	WASHER	11		NCH0000250	NUT	20
	SCC0030003	CAPSCREW	5		WLK0000375	WASHER	5
	NCH0000375	NUT	7		WCT0000375	WASHER	11
4	SUP0022487	FEEDER GUARD SUPPORT	1	10	GRD2521301	RHT OUTSIDE CHUTE GRD-MODIFIED	1
5	GRD0224960	LH OUTSIDE FEEDER GUARD	1		CRB3130100	BOLT	2
	CRB3130100	BOLT	2		SCC0020002	CAPSCREW	2
	SCC0020002	CAPSCREW	2		NCH0000313	NUT	4
	NCH0000313	NUT	4		WCT0000313	WASHER	4
	WCT0000313	WASHER	4	11	GRD0022486	CENTER FEED CHUTE GUARD	5
6	GRD0022492	CENTER FEEDER GUARD	5		CRB3130100	BOLT	30
	CRB3130100	BOLT	15		NCH0000313	NUT	30
	SCC0020002	CAPSCREW	15		WCT0000313	WASHER	30
	NCH0000313	NUT	30	12	LIN037661E	FEED CHUTE LINER,UHMW	1
	WCT0000313	WASHER	30	13	ANC037660B	FEED CHUTE LINER ANCHOR	1
7	GRD0224961	RH OUTSIDE FEEDER GUARD	1				

**PICKUP AND FEEDER CONTROL VALVE ASSEMBLY**

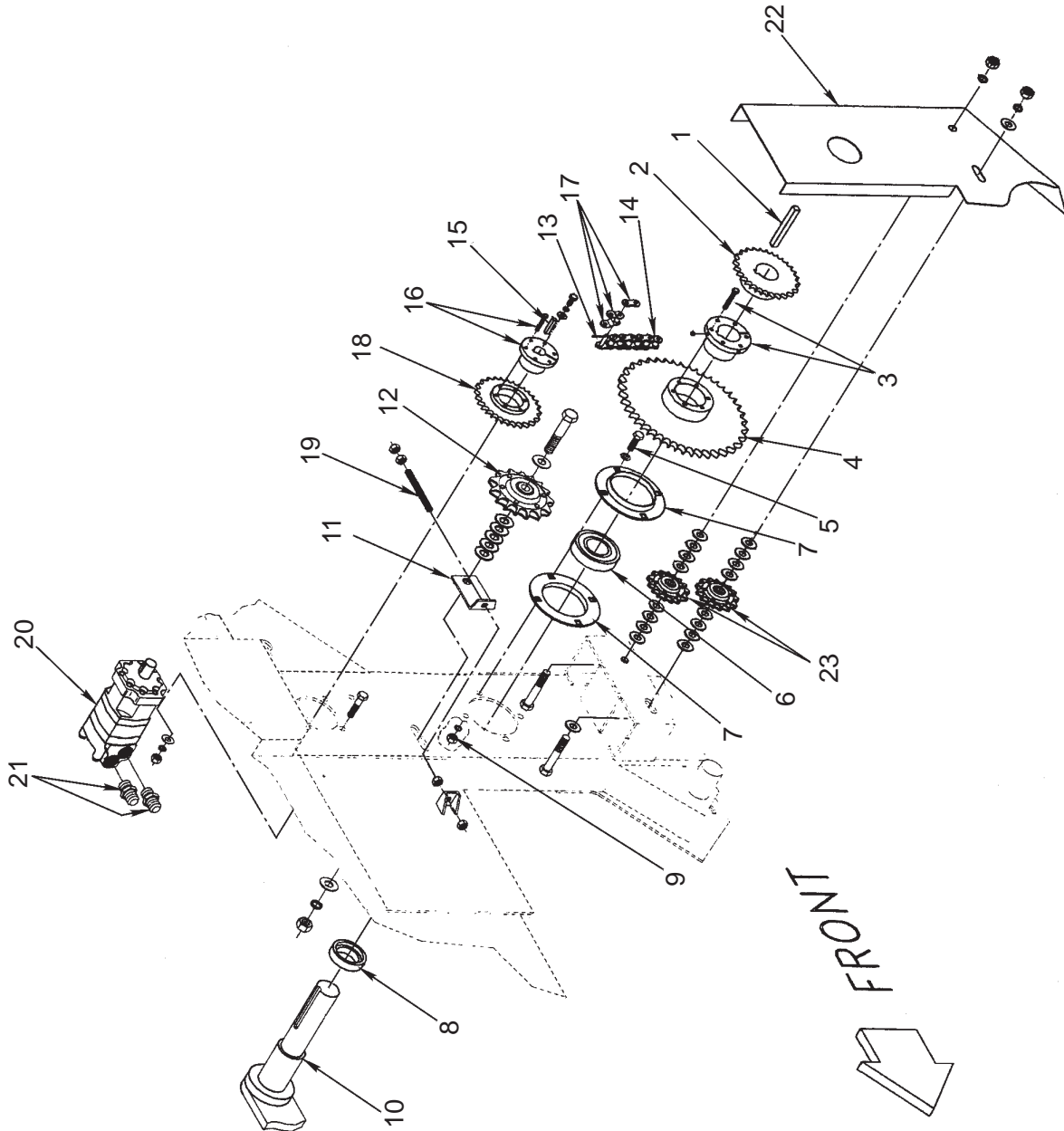


---

## PICKUP AND FEEDER CONTROL VALVE ASSEMBLY

REF NO.	PART NO.	DESCRIPTION	QTY. USED
1	MNT037719B	SOLENOID VALVE MOUNT	1
2	HYD5315060	O-RNG ST THD CONN	4
3	HYD5706060	SWIVEL RUN TEE	1
4	HYD5129020	CAP	1
5	HYD5015062	TUBE REDUCER	1
6	VLV0000035	VALVE SUBPLATE, CAVITY	1
7	VLV0000062	SOLENOID VALVE 4 WAY 3 POS 12VDC	1
8	SCS0000209	CAPSCREW	2
9	SCS0000105	CAPSCREW	4
10	NMS0000117	NUT	2
11	VLV0000034	RELIEF VLV CART,53GPM,6000 PSI	1

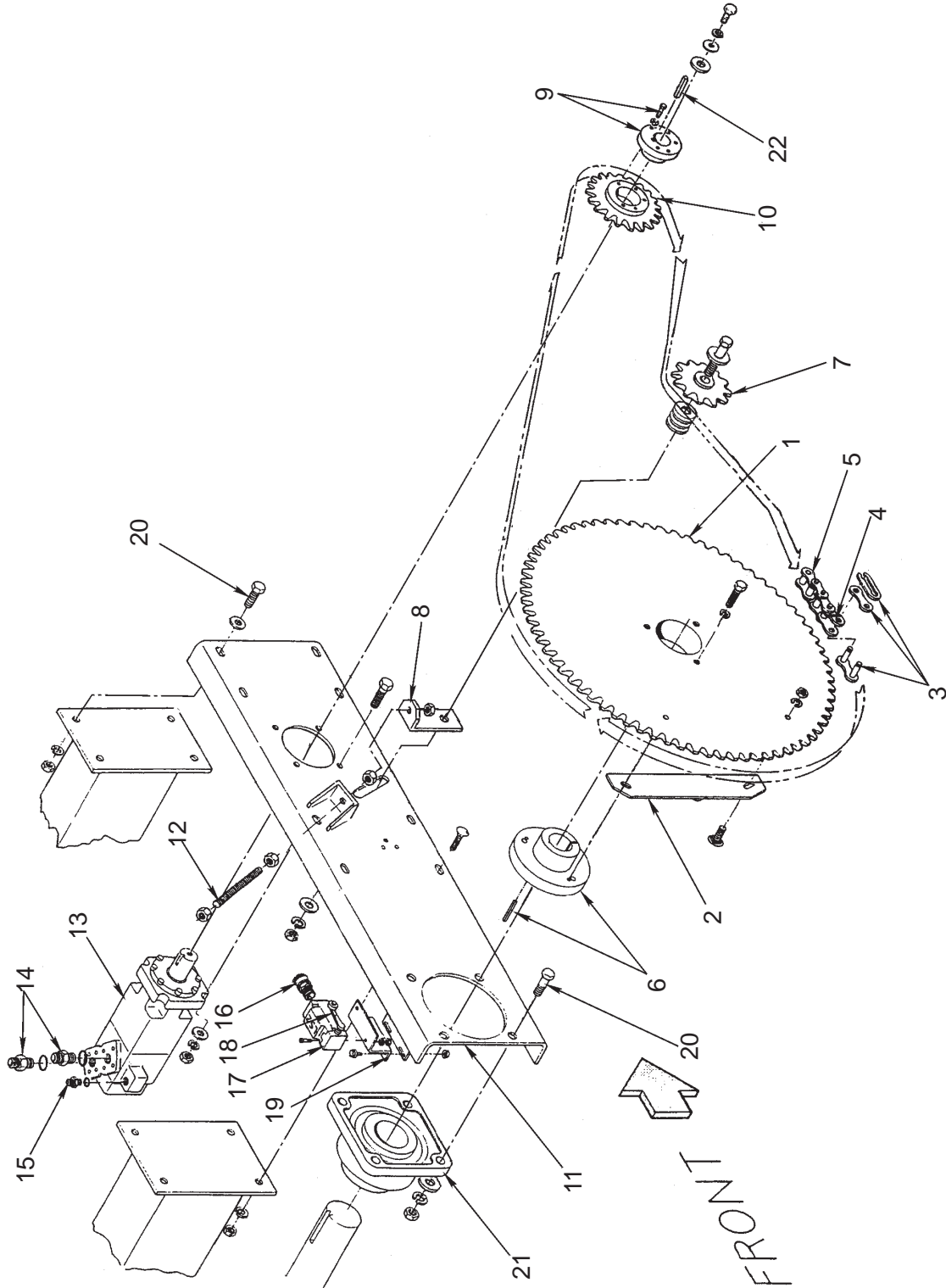
**FEEDER AND PICKUP DRIVE ASSEMBLY**



## FEEDER AND PICKUP DRIVE ASSEMBLY

REF NO.	PART NO.	DESCRIPTION	QTY. USED	REF NO.	PART NO.	DESCRIPTION	QTY. USED
1	ZZ 0000458	KEY	1		WCT0000375	WASHER	1
2	SPK0602202	SPROCKET -	1		WLK0000375	WASHER	1
3	BSH0020000	P/U FEED CRANK DRV BUSHING 2"	1		SCC0030001	CAPSCREW	1
4	SPK0080360	SPROCKET	1	17	OFL0000102	OFFSET LINK-	1
5	SFC0080504	CAPSCREW	4	18	SPK0080190	SPROCKET -	1
	WAS0000104	WASHER	4	19	ROD0017217	NEEDLE YOKE DRIVE ROD	1
	WLK0000500	WASHER	4		NCH0000500	NUT	4
6	BRG0002000	1ST FEEDER 1592 CRANK BEARING	1	20	MTR1091104	MOTOR -	1
7	BRG0002001	BEARING STAMPING F/BRG2000	2		SCC0050007	CAPSCREW	4
8	BRG0002002	LOCK COLLAR	1		NCH0000500	NUT	4
9	NFH0080500	NUT	4		WCT0000500	WASHER	4
10	SHF0023127	FEEDER CRANK SHAFT	1		WLK0000500	WASHER	4
11	BKT0020148	CHAIN TIGHTENER BRACKET	1	21	HYD5315060	O-RNG ST THD CONN	2
12	SPK128012S	IDLER SPOCKET -	1	22	GRD0505568	PICKUP DRIVE CHAIN GUARD	1
	NCH0000750	NUT	1	23	SPK011536S	IDLER SPRCKET	2
	WLK0000750	WASHER	1		SCC0070013	CAPSCREW	2
	WCT0000750	WASHER	1		WCT0000625	WASHER	24
	SCC0080007	CAPSCREW	1		WLK0000625	WASHER	2
	WAS0000139	WASHER	5		NCH0000625	NUT	2
13	CNK0000801	CONNECTING LINK-	1				
14	CHN0008064	CHAIN -	1				
15	ZZ 0000432	KEY	1				
16	BSH0101251	HUB	1				

**FEED FORK DRIVE ASSEMBLY**

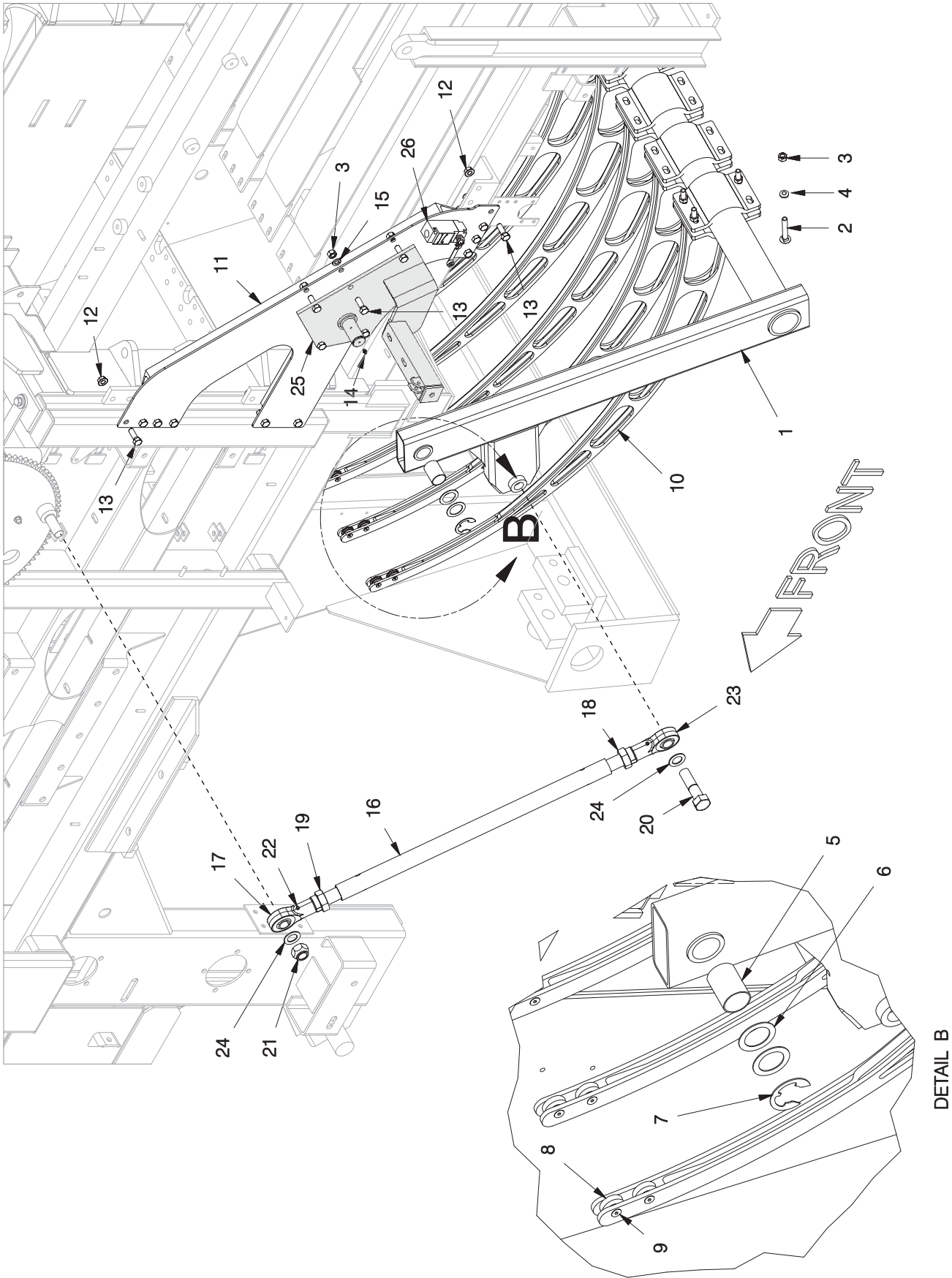


## FEED FORK DRIVE ASSEMBLY

REF NO.	PART NO.	DESCRIPTION	QTY. USED	REF NO.	PART NO.	DESCRIPTION	QTY. USED
1	SPK0028041	FEED FORK SPROCKET	1	13	MTR1121067	MOTOR-	1
2	CAM0013897	FEEDER SWITCH CAM	1		NCH0000500	NUT	4
	CRB3131000	BOLT	1		SCC0050007	CAPSCREW	4
	WLK0000313	WASHER	1		WAS0000104	WASHER	4
	NCH0000313	NUT	1	14	HYD5315067	O-RNG ST THD CONN	2
3	CNK0000801	CONNECTING LINK-	1	15	F 0006684	O-RNG ST THD CONN	1
4	OFL0000102	OFFSET LINK-	1	16	CNR0000193	CORD CONN	1
5	CHN0080100	2ND FDR DRV CHN	1	17*	SWI0005079	LIMIT SWITCH -4 POST	1
6	BSH0026875	BSH SPECIAL	1		SMR1032150	MACH SCREW	2
	ZZ00000456	KEY	1		NFH0001032	NUT	2
7	SPK128012S	IDLER SPOCKET	1		WLK0000100	WASHER	2
	SCC0080014	CAPSCREW	1	18	ARM0CH5084	3" LEVER ARM W/3/4" ROLLER	1
	WAS0000139	WASHER	5	19	BKT0017448	2ND FEED SWITCH BKT -	1
	WCT0000750	WASHER	1		SMS0000172	BOLT	2
	NCH0000750	NUT	1		NMS0000250	NUT	2
	WLK0000750	WASHER	1	20	CRB7500175	BOLT	8
8	BKT0020148	CHAIN TIGHTENER BRACKET	1		WAS0000104	WASHER	4
9	BSH0101502	BUSHING	1		NCH0000500	NUT	8
	WCT0000500	WASHER	1		WLK0000500	WASHER	8
	WCT0000375	WASHER	1	21	BRG0268750	4-BOLT FLANGE BEARING	1
	WLK0000375	WASHER	1		SCC0070006	CAPSCREW	4
	SCC0030001	CAPSCREW	1		WLK0000625	WASHER	4
10	SPK0080210	SPROCKET	1		WAS0000105	WASHER	4
11	MNT0018946	CHAR LYNN 6000 MOTOR MNT -1500	1	22	F 0004104	KEY	1
12	ROD0015719	CHAIN TIGHTENER ADJUSTMENT ROD	1				
	NCH0000500	NUT	4				

\* LIMIT SWITCHES HAVE BEEN REPLACED, SEE NOTE AT BEGINNING OF TABLE OF CONTENTS.

**NEEDLES AND NEEDLE YOKE ASSEMBLY**





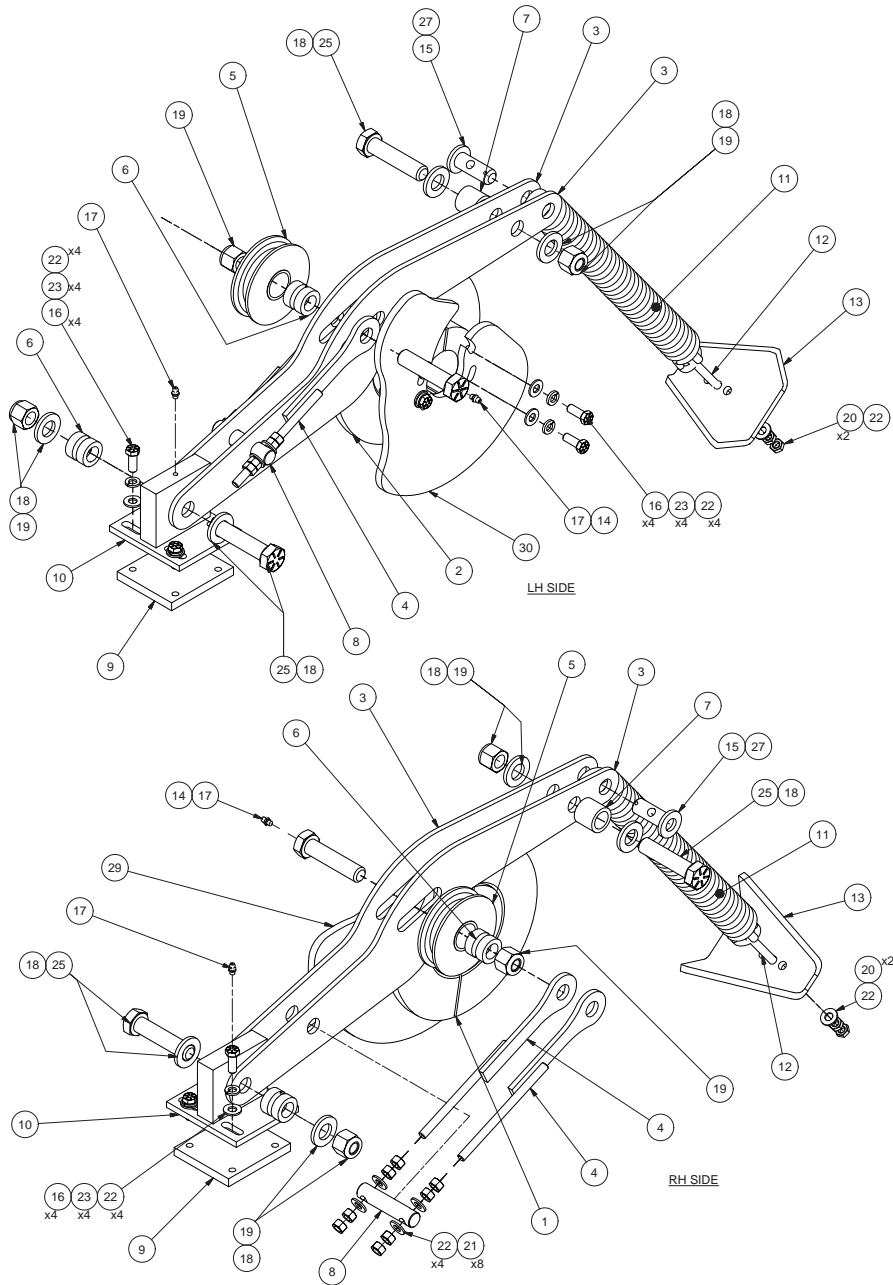
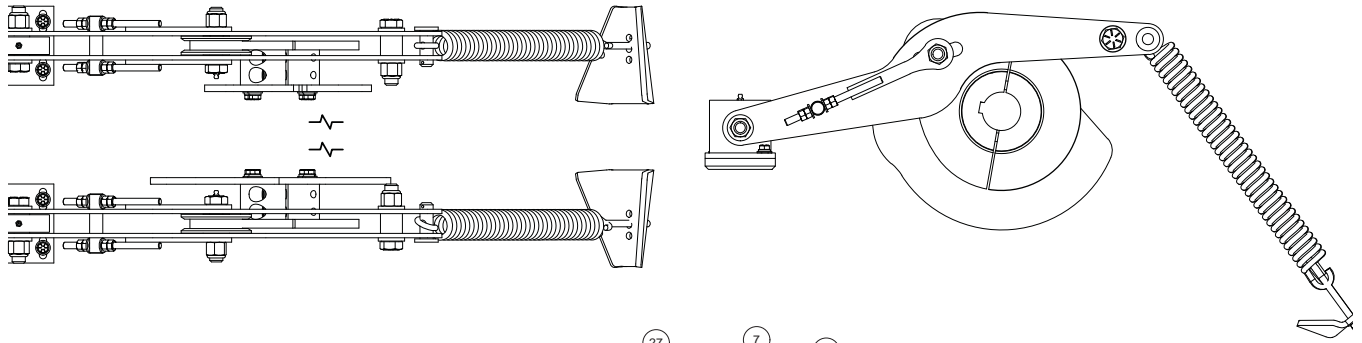
## NEEDLES AND NEEDLE YOKE ASSEMBLY

REF NO.	PART NO.	DESCRIPTION	QTY. USED
1	YOK036353E	NEEDLE YOKE ASSEMBLY	1
2	F000007552	NEEDLE TO YOKE CARR BOLT W/NUT	24
3	234921	NUT	24
4	R13811433	WASHER	24
5	F000004137	BUSHING	2
6	F000007977	WASHER	2
	SHM0000103	SHIM-1-3/8"STEEL F/KNOTTER ASSY	2
7	F000007988	SNAP RING F/KNOTTER SHAFT	2
8	PUL0000001	PULLEY	12
9	230668	CAPSCREW	12
10*	-----	DOUBLE KNOTTER NEEDLE	6
11	SUP036360D	L.H. NEEDLE YOKE PIVOT SUPRT	1
	SUP036361D	RH NEEDLE YOKE PIVOT SUPRT	1
12	NMS0000252	NUT	18
13	229171	CAPSCREW	32
14	11079	ZERK	2
15	234665	WASHER	10
16	ROD0035594	DBLE KNTTER NDLE YOKE DRIVE ROD	2
17	ROD0001600	L. H. ROD END KNOTTER SIDE	2
18	NFJ0012500	NUT	2
19	231071	NUT	2
20	SFC0001014	CAPSCREW	4
21	NFE0001000	NUT	4
22	ZZ00000118	ZERK DRIVE STR	4
23	ROD0000160	RH ROD END YOKE SIDE	2
24	WAS0000123	WASHER	4
25	MNT036384D	LH NEEDLE YOKE MOUNT ASSY	1
	MNT036385D	RH NEEDLE YOKE MOUNT ASSY	1
26**	SWIOCH5081	LIMIT SWITCH -4 POST LS-13	1
	HRN0036239	LS-13 SWITCH HARNESS TO JOB2	1
	CNR0000194	1/2 CORD CONNECTOR(.375-.500)	1
	ARM0CH5084	3" LEVER ARM W/3/4" ROLLER	1

\* DOUBLE KNOTTER (S/N 206, 216) USES NEEDLE 901729  
 TAILLES KNOTTER (S/N 171) USES NEEDLE 905339

\*\* LIMIT SWITCHES HAVE BEEN REPLACED, SEE NOTE AT  
 BEGINNING OF TABLE OF CONTENTS.

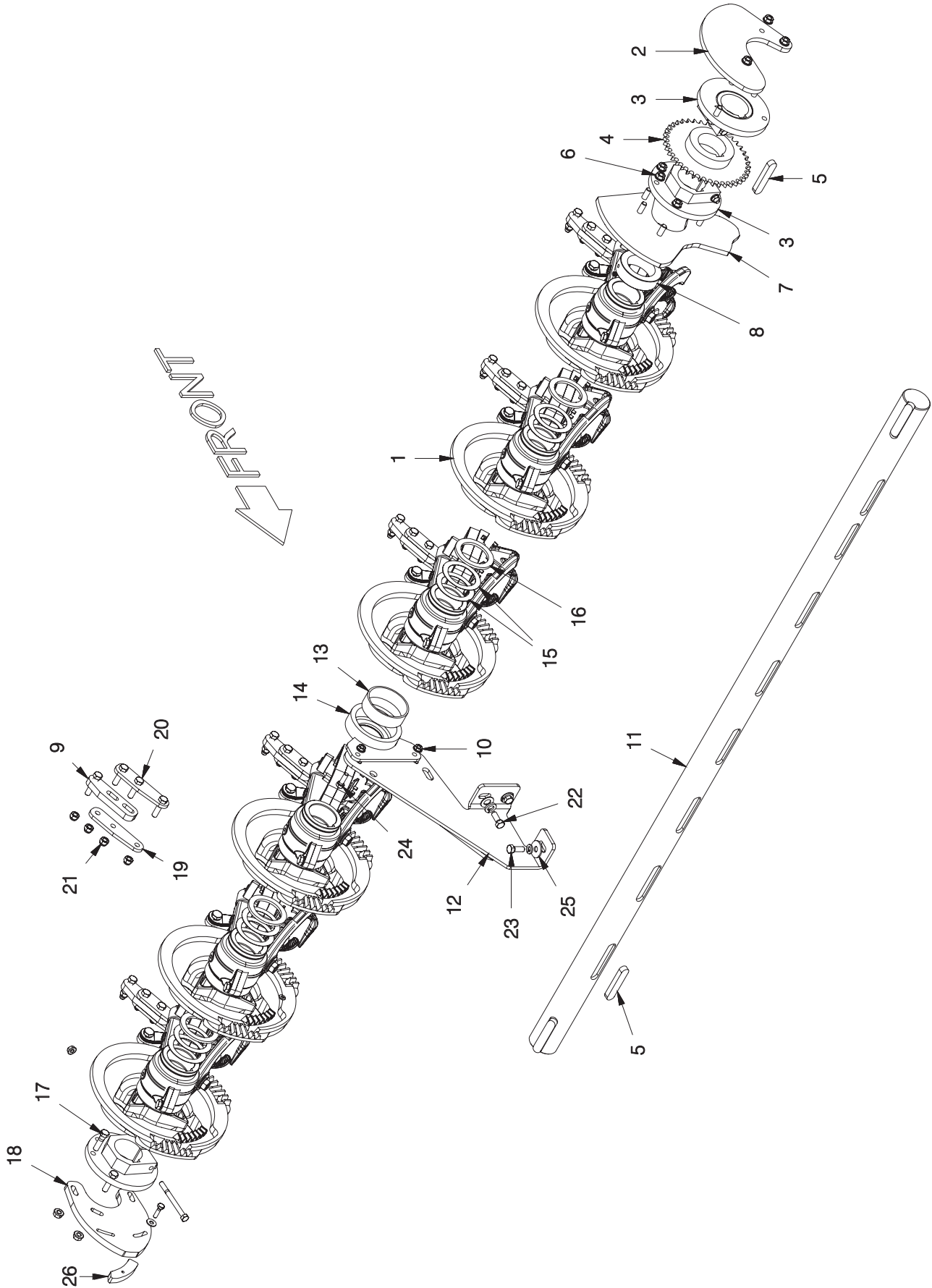
### KNOTTER LATCH ASSEMBLY



## KNOTTER LATCH ASSEMBLY

REF NO.	PART NO.	DESCRIPTION	QTY. USED	REF NO.	PART NO.	DESCRIPTION	QTY. USED
	904400	KIT, KNOTTER LATCH ASSEMBLY		15	904505	PIN WELDMENT	2
01	904338	KNOTTER CAM WELDMENT,RH	1	16	Y17C-0616	CAPSCREW	16
02	904398	KNOTTER CAM WELDMENT,LH	1	17	11079	FITTING, LUBE, 1/	4
03	904392	PLATE,LATCH ARM	4	18	221777W	HCE-552 WASHER 3/4	8
04	904790	LOCK PLATE WELDMENT,ROLLER	4	19	R13811196	LOCKNUT	6
05	904339	ROLLER, LATCH	2	20	235708	JAM NUT	4
06	904389	BUSHING	4	21	221707W	HEX NUT	16
07	904393	SPACER	2	22	221767W	HCE-552 WASHER 3/8	26
08	904791	PIN ,LOCK	2	23	R13812514	LOCKWASHER	16
09	904394	PLATE,MOUNTING	2	25	221662W	CAPSCREW	4
10	904503	LUG WELDMENT	2	27	Y01F-0432	COTTER PIN	2
11	F000007154	SPRING, EXT	2	29	904399	LATE,CAM	1
12	904509	EYEBOLT	2	30	904395	PLATE,CAM	1
13	904792	PLATE,ANCHOR	2				
14	904504	BOLT	2				

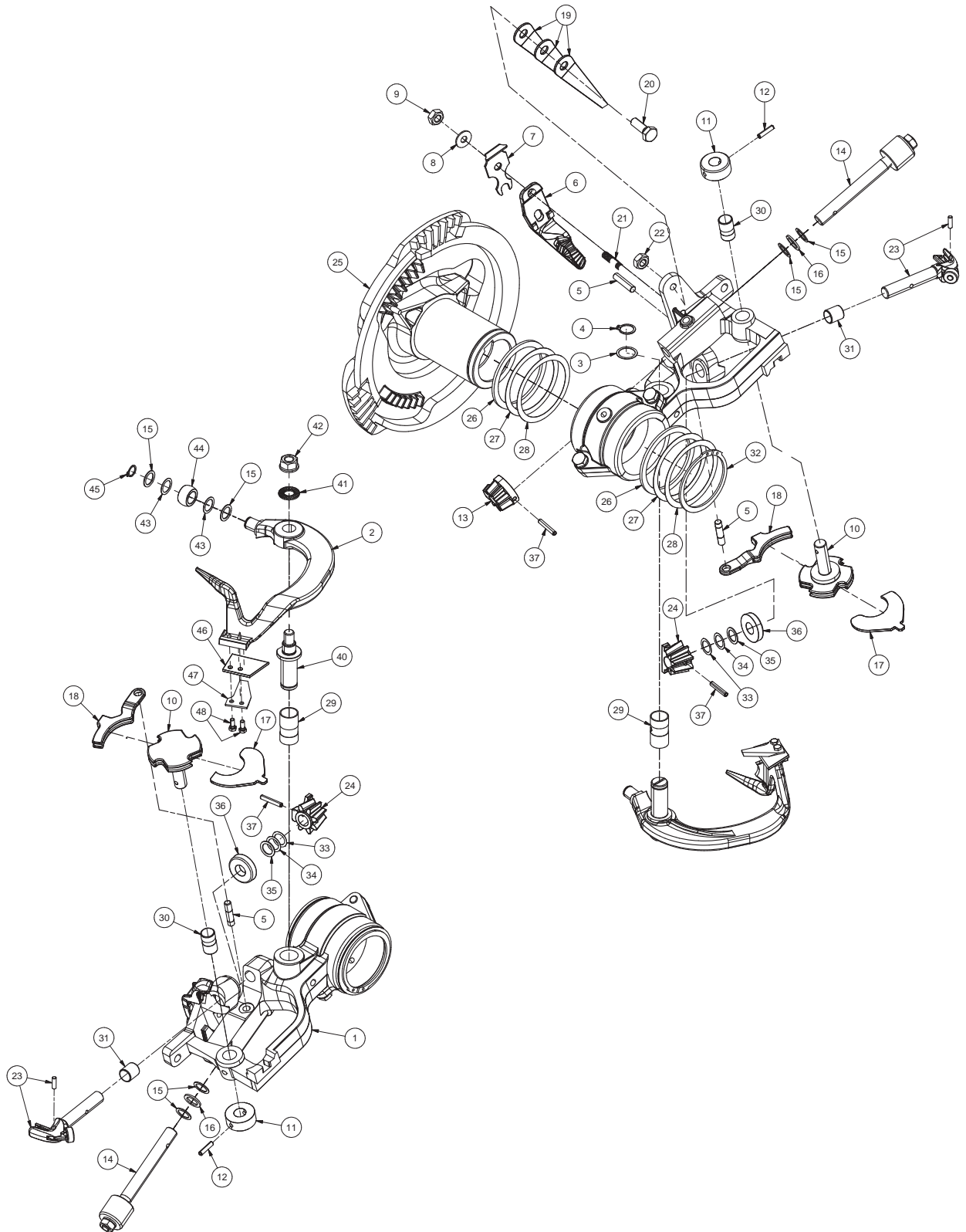
**KNOTTER SHAFT ASSEMBLY**



## KNOTTER SHAFT ASSEMBLY

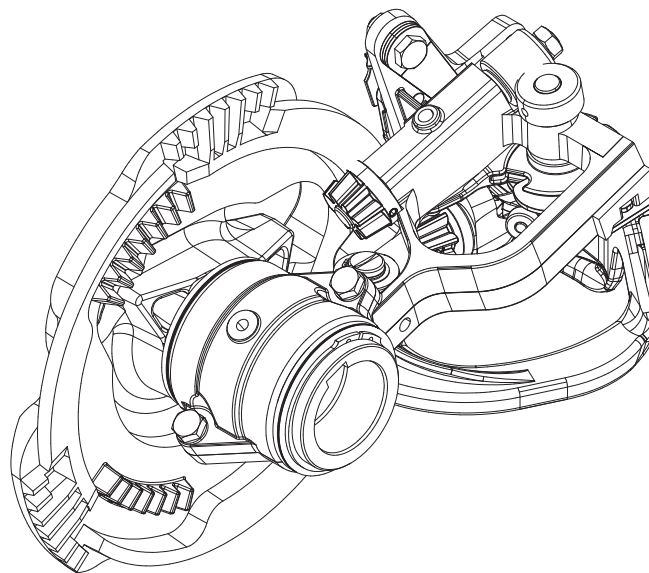
REF NO.	PART NO.	DESCRIPTION	QTY. USED
	900315	DOUBLE KNOTTER ASSY;*; 1592D	
1	KNT0613103	DOUBLE KNOTTER COMPLETE	6
2	CAM036734B	DOUBLE KNOTTER LS-7 CAM	1
3	MNT036736B	DOUBLE KNOTTER CAM MOUNT	3
4	SPK0041B40	SPK 2-3/16"BORE F/DOUBLE KNOTTER	1
5	RS20661130	DOUBLE KNOTTER KEY	10
6	NMS0000375	NUT	10
7	CAM037541E	ALTERNATE TWINE FINGER CAM #7	1
8	ZZ00020002	SET COLLAR	1
9	LNK035922B	KNOTTER ANCHOR LINK	6
10	NMS0000117	NUT	2
11	SHF036672E	DOUBLE KNOTTER SHAFT	1
12	SUP037147D	CENTER BEARING SUPPORT	1
13	BRG0000015	BRONZE BRG, OIL IMPREGNATED	1
14	MNT036479B	DOUBLE KNOTTER CENTER BRG MNT	1
15	SHM036712A	DOUBLE KNOTTER SHIM-22GA	12
16	SPC036711A	DOUBLE KNOTTER SPACER 3/16"	8
17	SCC0030003	CAPSCREW	10
18	CAM036738B	DOUBLE KNOTTER LS-1,LS-12 CAM	1
19	CLP035921B	KNOTTER ANCHOR CLAMP	12
20	SCC0030005	CAPSCREW	18
21	NCE0000375	NUT	18
22	SCC0050002	CAPSCREW	2
	WCT0000500	WASHER	2
	WLK0000500	WASHER	2
23	SCC0030002	CAPSCREW	1
	WCT0000375	WASHER	1
	WLK0000375	WASHER	1
24	SCC0020002	CAPSCREW	2
25	WCT0000313	WASHER	3
26	902007	KNOTTER SLOWDOWN CAM	1

**DOUBLE KNOTTER ASSEMBLY**



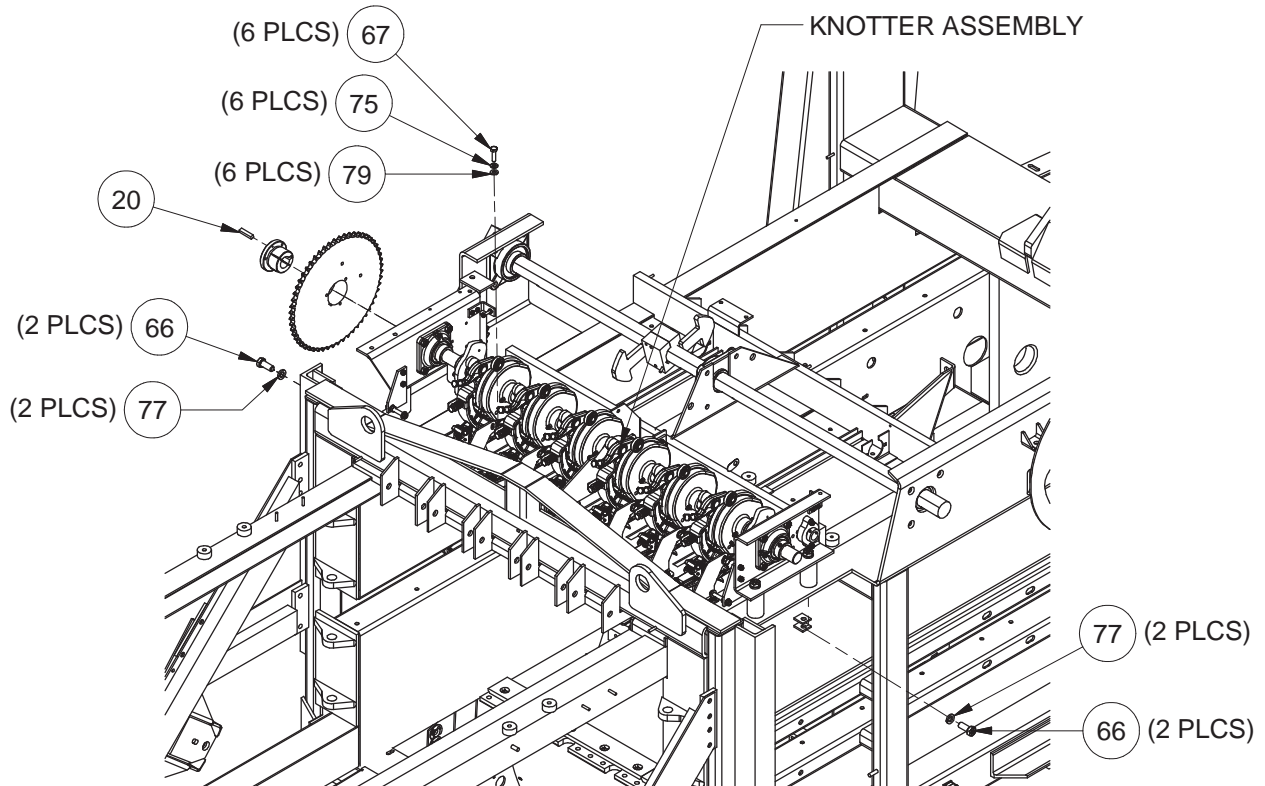
## KNOTTER, DOUBLE ASSEMBLY

REF NO.	PART NO.	DESCRIPTION	QTY. USED	REF NO.	PART NO.	DESCRIPTION	QTY. USED
	257971	DOUBLE KNOTTER COMPLETE	6				
1	RS20061311	DOUBLE KNOTTER FRAME	1	24	257606	SHORT BILL HOOK PINION	1
2	RS20661231	DOUBLE KNOTTER KNIFE ARM	1	25	RS20561321	DOUBLE KNOTTER CAM GEAR	1
3	F000007860	WASHER, KNIFE ARM	1	26	RS20661070	DOUBLE KNOTTER WASHER, SS	AR
4	F000007976	SNAP RING F/KNIFE ARM SHAFT	1	27	RS20661080	DOUBLE KNOTTER WASHER, SS	AR
5	RS03451926	PIN F/TWINE HOLDER	2	28	RS20661090	DOUBLE KNOTTER WASHER SS	2
6	RS20632030	DOUBLE KNOTTER JAW CAM	1	29	RS00602201	KNIFE ARM BUSHING	1
7	F000007947	DOUBLE KNT HOOK CAM ADJ SPRING	1	30	RS00006003	TWINE DISC BUSHING	1
8	223428	WASHER	1	31	RS00006002	BILL HOOK BUSHING	1
9	RS33110851	DOUBLE KNOTTER NUT	1	32	RS20661060	DOUBLE KNOTTER CIRCLIP	1
10	RS26531311	DOUBLE KNOTTERTWINE DISC ASSY.	1	33	257607	NEEDLE ROLLER SHIM	AR
11	F000007871	TWINE HOLDER DISC WORM PINION	1	34	257608	NEEDLE ROLLER SHIM	AR
12	RS05227344	SPIRAL PIN F/KNOTTER GEARS	1	35	257609	NEEDLE ROLLER SHIM	AR
13	RS20661260	DOUBLE KNT WORM GEAR PINION	1	36	257605	NEEDLE ROLLER	1
14	RS20637801	DOUBLE KNT WORM SHAFT ASSY.	1	37	253271	SPIRAL PIN F/KNOTTER GEARS	2
15	F000008280	WASHER WORM SHAFT & KNIFE ARM	AR	40	RS20637724	KNIFE ARM PIN ONLY	1
16	F000000658	KNOTTER WORM WASHER	AR	41	RS20661120	WASHER, LOCK; FOR KNIFE ARM PIN	1
17	F000007870	DOUBLE KNOTTER CLEANER	1	42	RS331112051	NUT, FOR KNIFE ARM PIN	1
18	RS20637841	DOUBLE KNOTTER TWINE HOLDER	1	43	RS00010500	WASHER WORM SHAFT & KNIFE ARM	2
19	F000008052	TWINE HOLDER SPRING	3	44	F000008274	ROLLER, KNIFE ARM	1
20	Y09C-M1030	CAPSCREW	1	45	F000008275	SNAP RING F/KNIFE ARM SHAFT	1
21	F000007948	KNOT HOOK CAM ADJUSTING SCREW	1	46	RS20621360	DOUBLE KNT KNIFE SUPPORT SPACER	1
22	NCHM010150	NUT, HEX	1	47	RS20644360	DOUBLE KNOTTER TWINE KNIFE	1
23	RS20661280	DOUBLE KNT BILL HOOK ASSY.	1	48	RS30501651	DOUBLE KNOTTER TWINE KNIFE BOLT	2



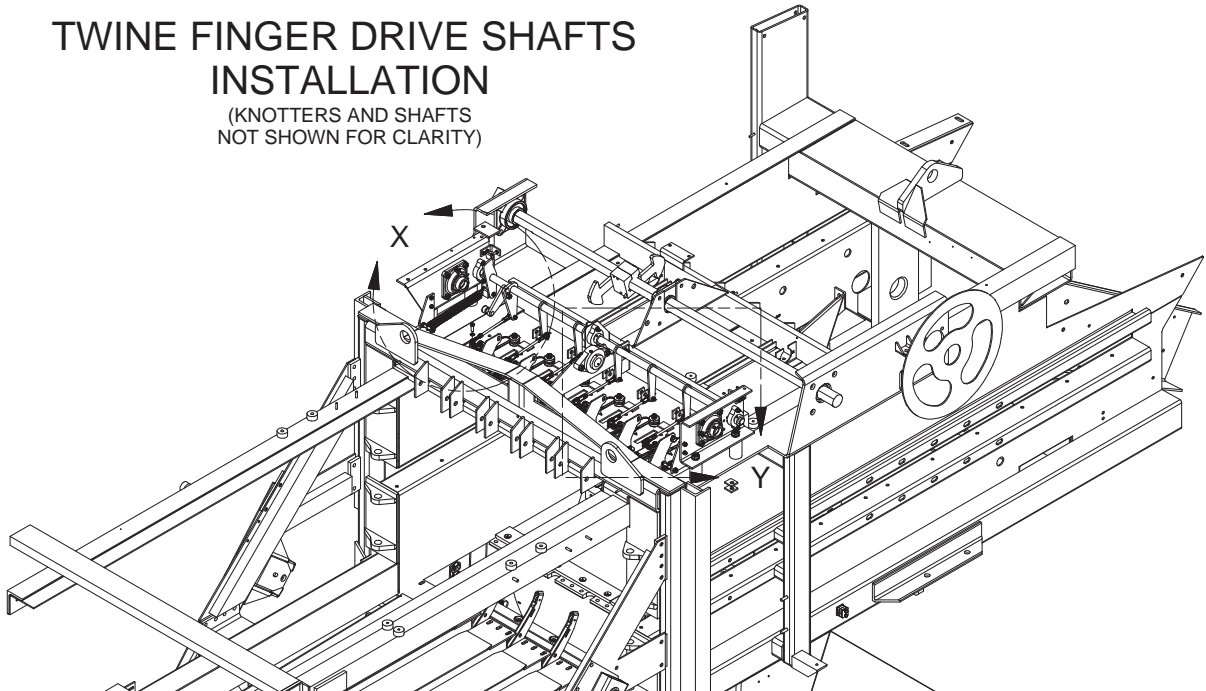
**KNOTTER ASSEMBLY, TAILLESS (ASC-1592-0171 ONLY)**  
(PAGE 1 OF 9)

**KNOTTER ASSEMBLY TO  
BALER FRAME**



**TWINE FINGER DRIVE SHAFTS  
INSTALLATION**

(KNOTTERS AND SHAFTS  
NOT SHOWN FOR CLARITY)



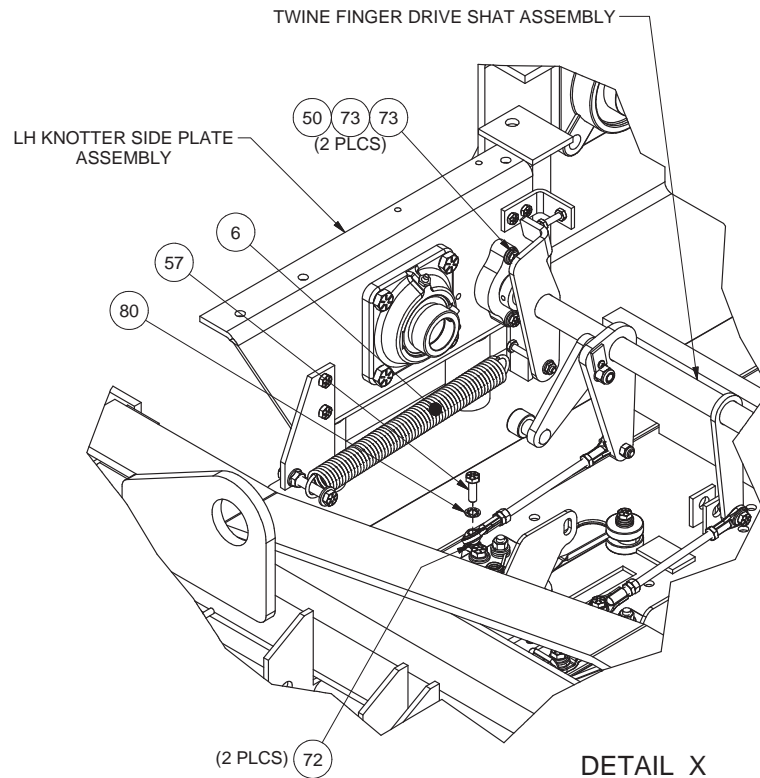


## KNOTTER ASSEMBLY, TAILLESS (ASC-1592-171 ONLY)

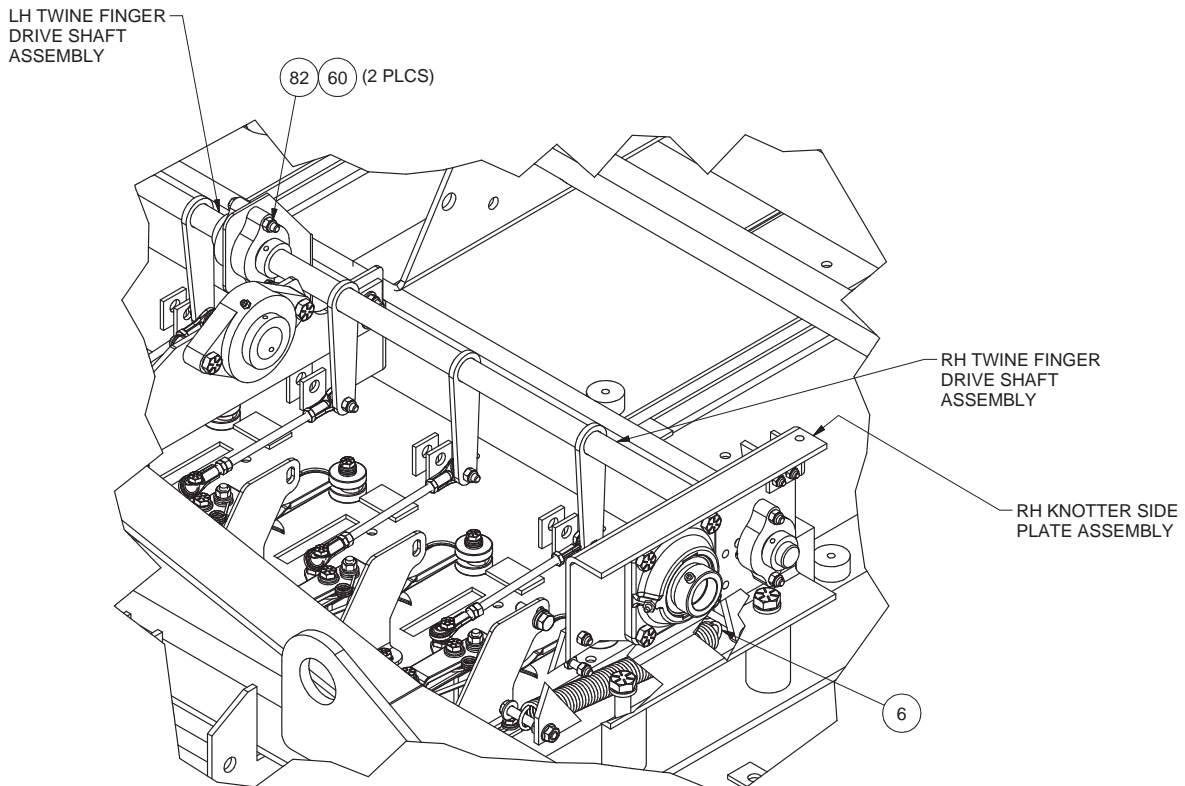
(PAGE 2 OF 9)

REF NO.	PART NO.	DESCRIPTION	QTY. USED	REF NO.	PART NO.	DESCRIPTION	QTY. USED
	903745	TAILLESS KNOTTER					
1	BKT0022078	. BRACKET	2	46	903791	. SPACER	4
2	BRG0001001	. BEARING F/ TWINE FINGER	4	47	224120W	. CAPSCREW	2
3	BRG0001300	. BEARING, ROD END	6	48	R13810992	. CAPSCREW	2
4	BRG0001301	. BEARING, ROD END	6	49	R13810993	. CAPSCREW	1
5	BRGRCJ1375	. FLANGE BEARING	2	50	R13801782	. CAPSCREW	2
6	F000001517	. SPRING, TRIP	2	51	R13801783	. CAPSCREW	1
7	223427	. FLAT WASHER	26	52	R13810998	. CAPSCREW	1
7	ROD037256B	. ROD ASSEMBLY	6	53	R13811010	. CAPSCREW	10
8	WAS3751500	. WASHER, FENDER	6	54	R13801791	. CAPSCREW	28
9	WLG0000001	. KNOTTER TWINE GUIDE PLATE	6	55	R13811013	. CAPSCREW	2
10	WLG0000002	. KNOTTER STOP SPRING	6	56	R13811014	. CAPSCREW	8
11	WLG0000003	. SPRING, STOP	6	57	R13807897	. CAPSCREW	6
12	WAS037715A	. WASHER	12	58	R13811015	. CAPSCREW	10
13	WLG0000005	. KNOTTER ANGLE SPRING	6	59	R13811016	. CAPSCREW	8
14	WLG0000006	. KNOTTER TWINE PULLER SPRING	6	60	R13801798	. CAPSCREW	4
15	WLG0001063	. PIN, EXPANDING	8	61	162572W	. CAPSCREW	12
16	WLG0001064	. HEX BOLT	8	62	R13811040	. CAPSCREW	6
17	R13811421	. HEX NUT	8	63	180959W	. CAPSCREW	2
18	R13812482	. LOCKWASHER	8	64	221569W	. CAPSCREW	8
19	Y161248.1	. MACH BUSHING	6	65	R13811077	. CAPSCREW	2
20	ZZ00000410	. KEY	1	66	Y17C-1024	. CAPSCREW	8
21	255675	. KNOTTER, TAILLESS	6	67	R13811210	. CAPSCREW	6
22	256549	. FOLLOWER, CAM	2	68	242414	. CAPSCREW	2
23	256550	. BOLT, SHOULDER	2	69	223428	. FLAT WASHER	78
24	256560	. PIN, DOWEL	2	71	WCTM100080	. FLATWASHER	12
25	256808	. BEARING, CENTER	1	72	223871	. LOCKWASHER	12
26	903200	. TWINE FINGER WELDMENT	6	73	R13812513	. LOCKWASHER	40
27	903516	. PLATE, LEVER	2	74	234135	. LOCKWASHER	12
28	903528	. PLATE, COVER	2	75	223595	. LOCKWASHER	6
29	903746	. BRACKET, ANCHOR	6	76	234665	. LOCKWASHER	8
30	903756	. BRACKET, CNTR FNT	1	77	R13809066	. LOCKWASHER	8
31	903757	. BRACKET, REAR	1	78	WLKM000080	. LOCKWASHER	6
32	903758	. BRACKET	1	79	296420W	. HARD WASHER	6
33	903759	. BRACKET	1	80	WIS0003125	. LOCKWASHER	6
34	903760	. MOUNTING WELDMENT, LH	1	81	NCHM008125	. HEX NUT	6
35	903763	. PLATE, RH MOUNTING	1	82	232939	. NUT, ESNA	30
36	903764	. TENSIONER ASSEMBLY	6	83	224118	. NUT, ESNA	6
37	903768	. SHAFT WELDMENT, RH	1	84	223587	. NUT, ESNA	10
38	903766	. SHAFT WELDMENT, LH	1	85	R13811189	. LOCKNUT	2
39	903771	. BRACKET, STOP	2	86	R13805167	. LOCKNUT	2
40	903772	. CAM WELDMENT	2	87	09416918	. NUT, SERRATED	2
41	903774	. SHAFT, KNOTER	1	88	00273802	. NUT, SERRATED	2
42	903775	. PLATE WELDMENT, TOP	1	89	09411507	. NUT, SERRATED	4
43	903777	. BOX ASSEMBLY, TWINE GUIDE	1	90	NEJ0002500	. ESNA JAM NUT	4
44	903781	. MOUNTING WELDMENT	1	91	2304341W	. NUT - LOCK JAM	12
45	903786	. TIP WELDMENT, NEEDLE	6				

**KNOTTER ASSEMBLY, TAILLESS (ASC-1592-0171 ONLY)**  
(PAGE 3 OF 9)



DETAIL X  
LH ASSEMBLY

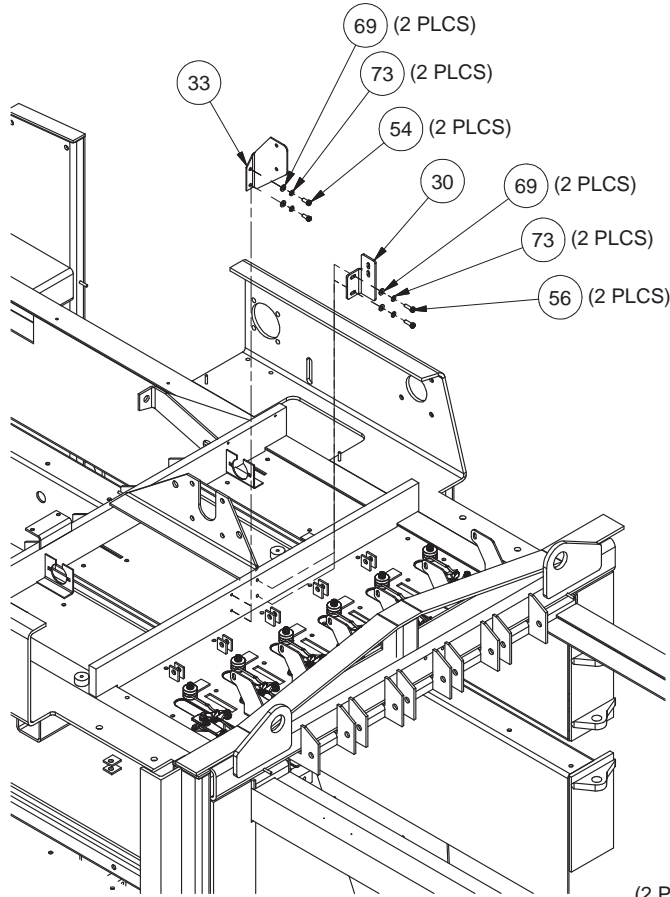


DETAIL Y  
RH ASSEMBLY

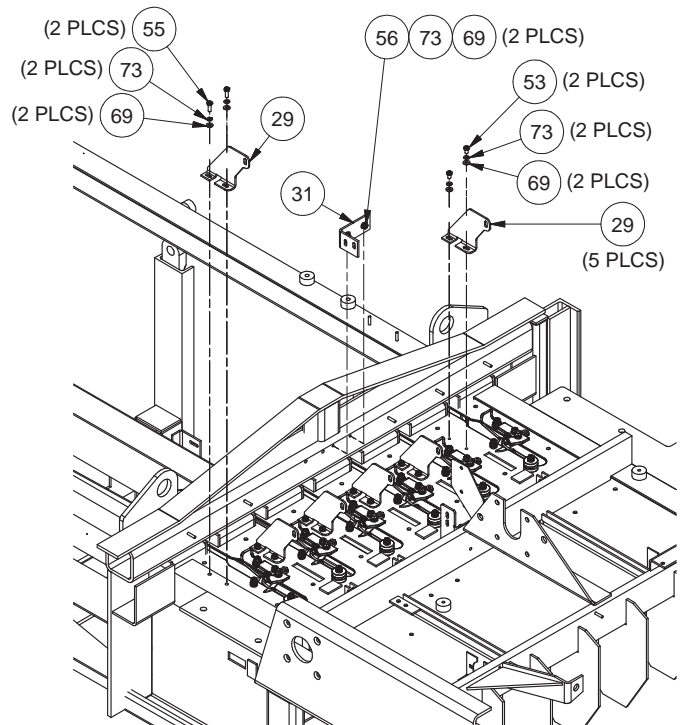
# KNOTTER ASSEMBLY, TAILLESS (ASC-1592-0171 ONLY)

(PAGE 4 OF 9)

## REAR BRACKET INSTALLATION

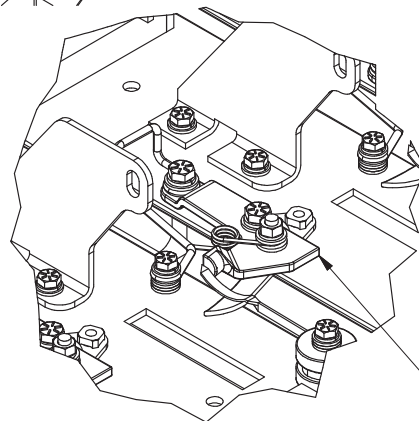
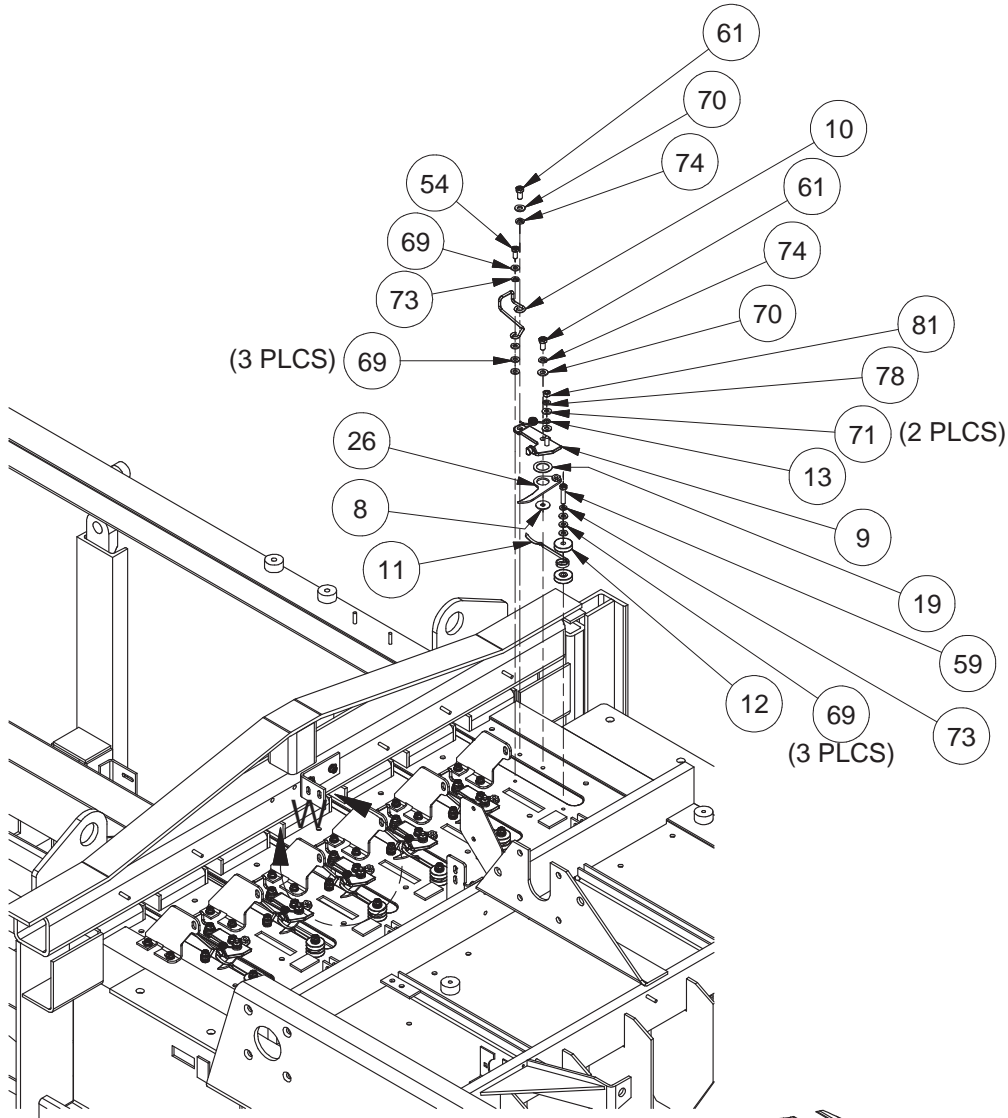


## KNOTTER ANCHOR INSTALLATION



**KNOTTER ASSEMBLY, TAILLESS (ASC-1592-0171 ONLY)**  
(PAGE 5 OF 9)

**TWINE FINGER AND SPRING  
INSTALLATION**

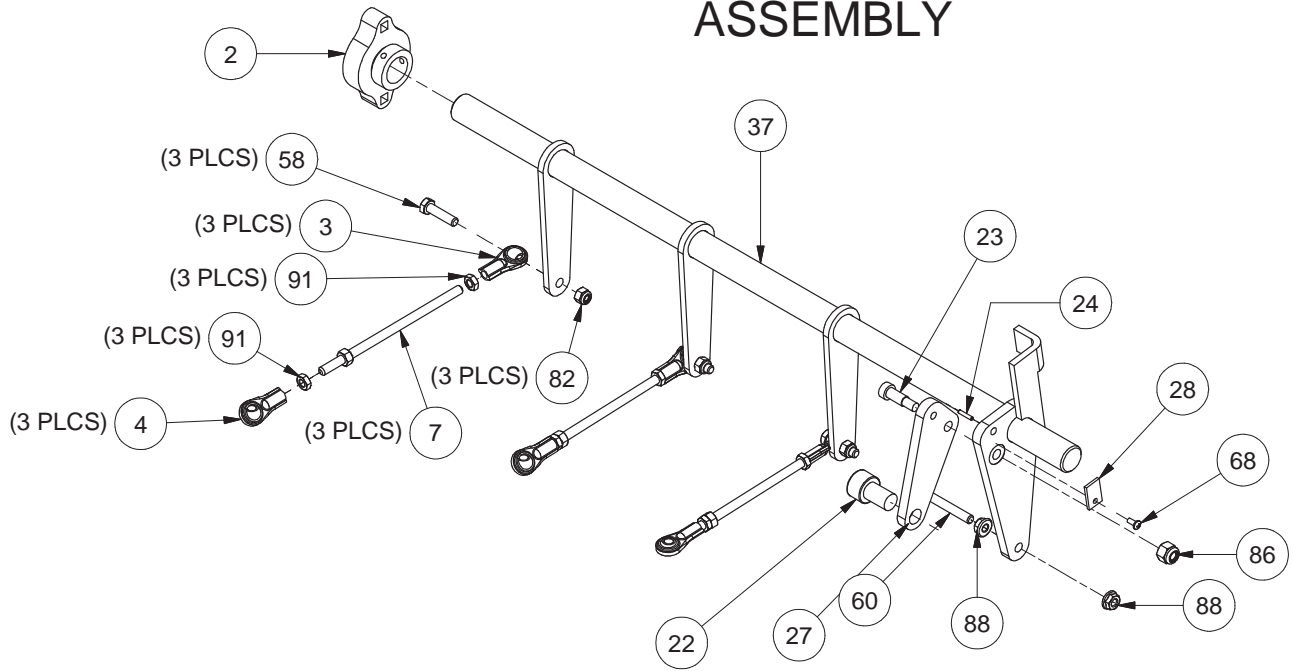


TWINE FINGER  
AND COMPONENTS  
FULLY ASSEMBLED

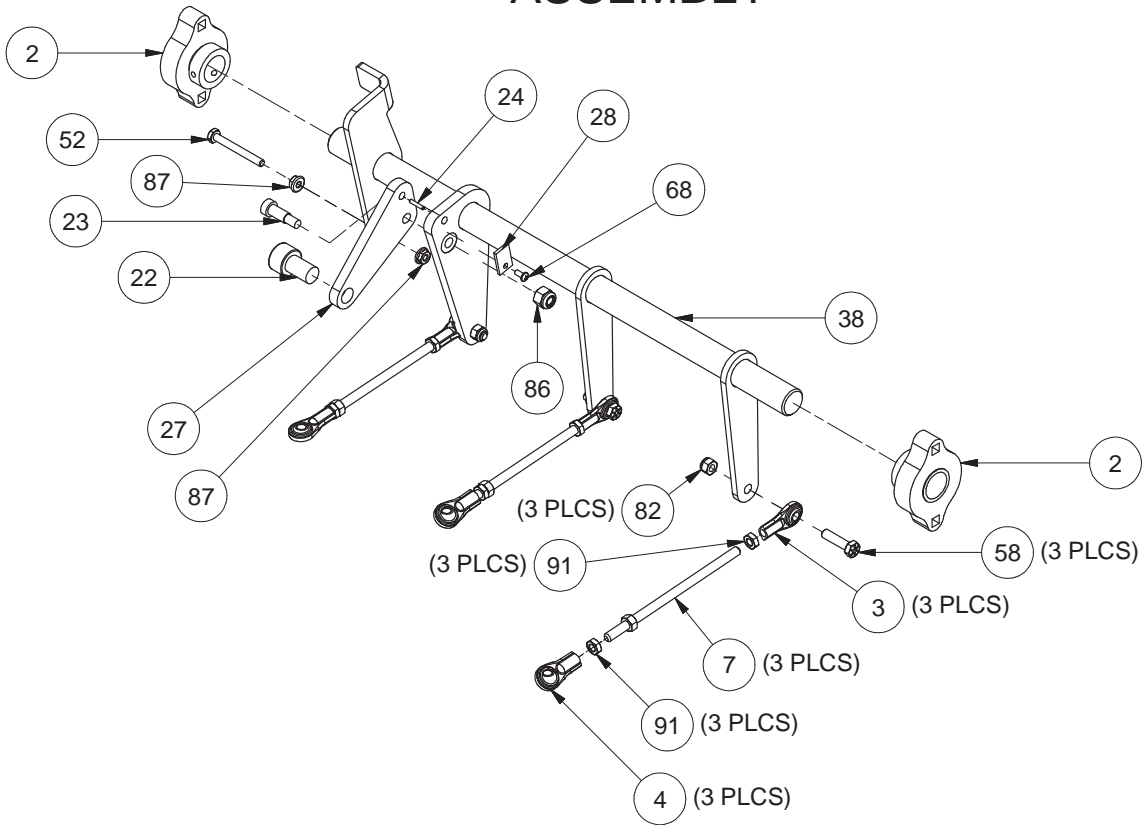
DETAIL W

**KNOTTER ASSEMBLY, TAILLESS (ASC-1592-0171 ONLY)**  
(PAGE 6 OF 9)

**RH TWINE FINGER DRIVE SHAFT ASSEMBLY**

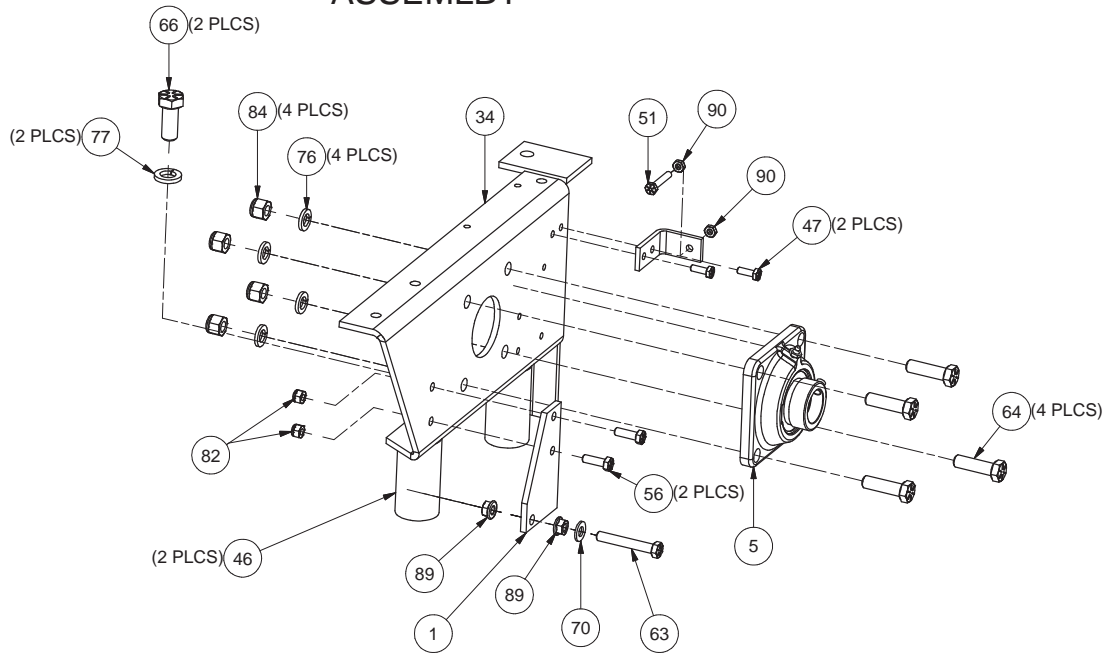


**LH TWINE FINGER DRIVE SHAFT ASSEMBLY**

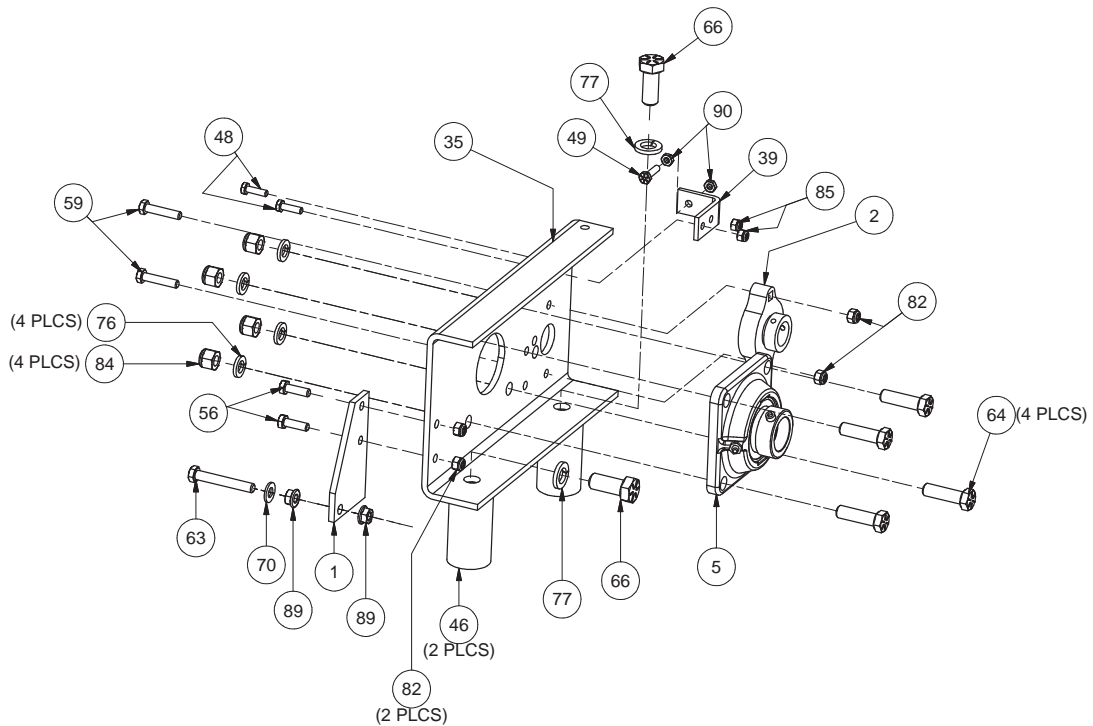


**KNOTTER ASSEMBLY, TAILLESS (ASC-1592-0171 ONLY)**  
(PAGE 7 OF 9)

**LEFT HAND KNOTTER MOUNT ASSEMBLY**

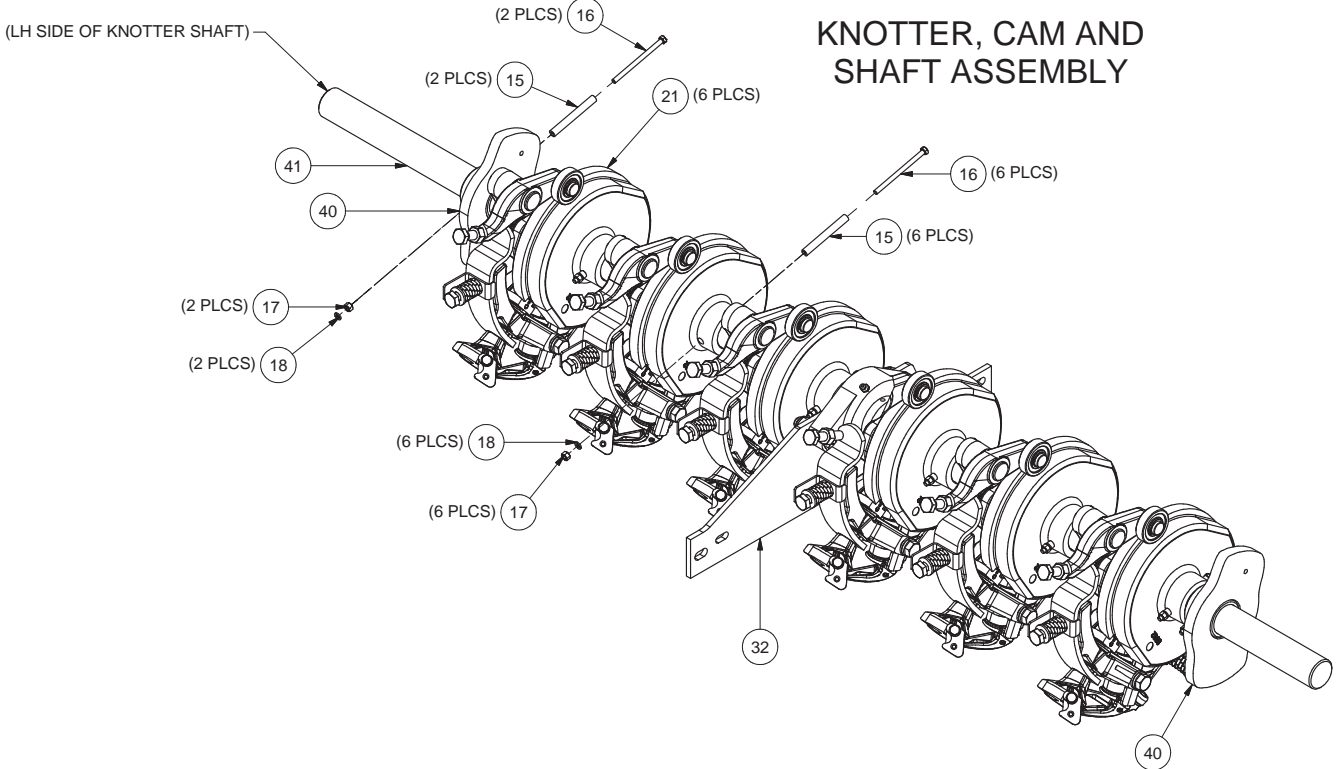
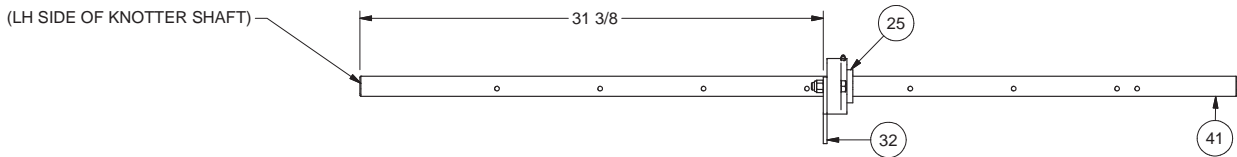
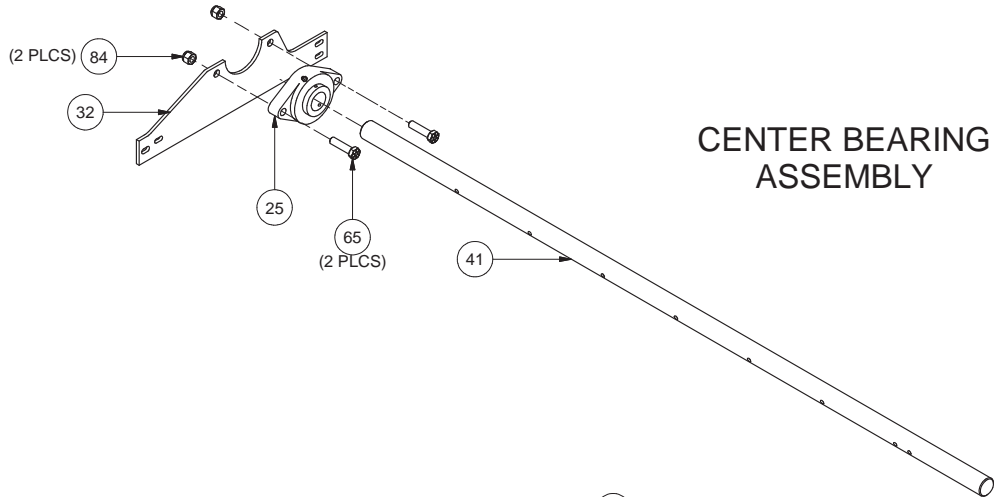


**RIGHT HAND KNOTTER MOUNT ASSEMBLY**



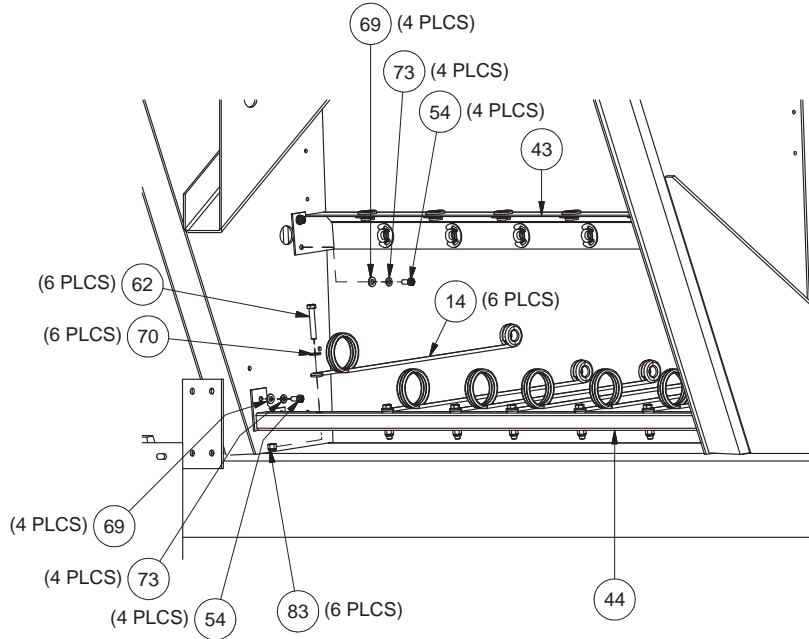
# KNOTTER ASSEMBLY, TAILLESS (ASC-1592-0171 ONLY)

(PAGE 8 OF 9)



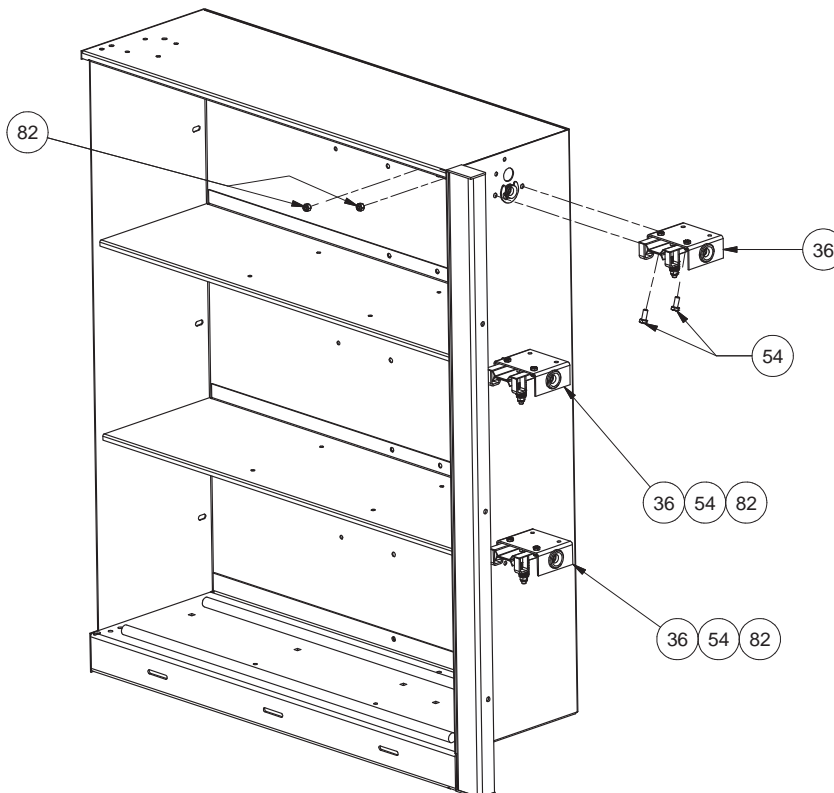
**KNOTTER ASSEMBLY, TAILLESS (ASC-1592-0171 ONLY)**  
(PAGE 9 OF 9)

**SLACK PULLER INSTALLATION**



SLACK PULLER BRACKETS  
MOUNT IN SIMILAR MANNER  
ON LH SIDE OF FRAME.

**TWINE BOX TENSIONER  
ASSEMBLY**

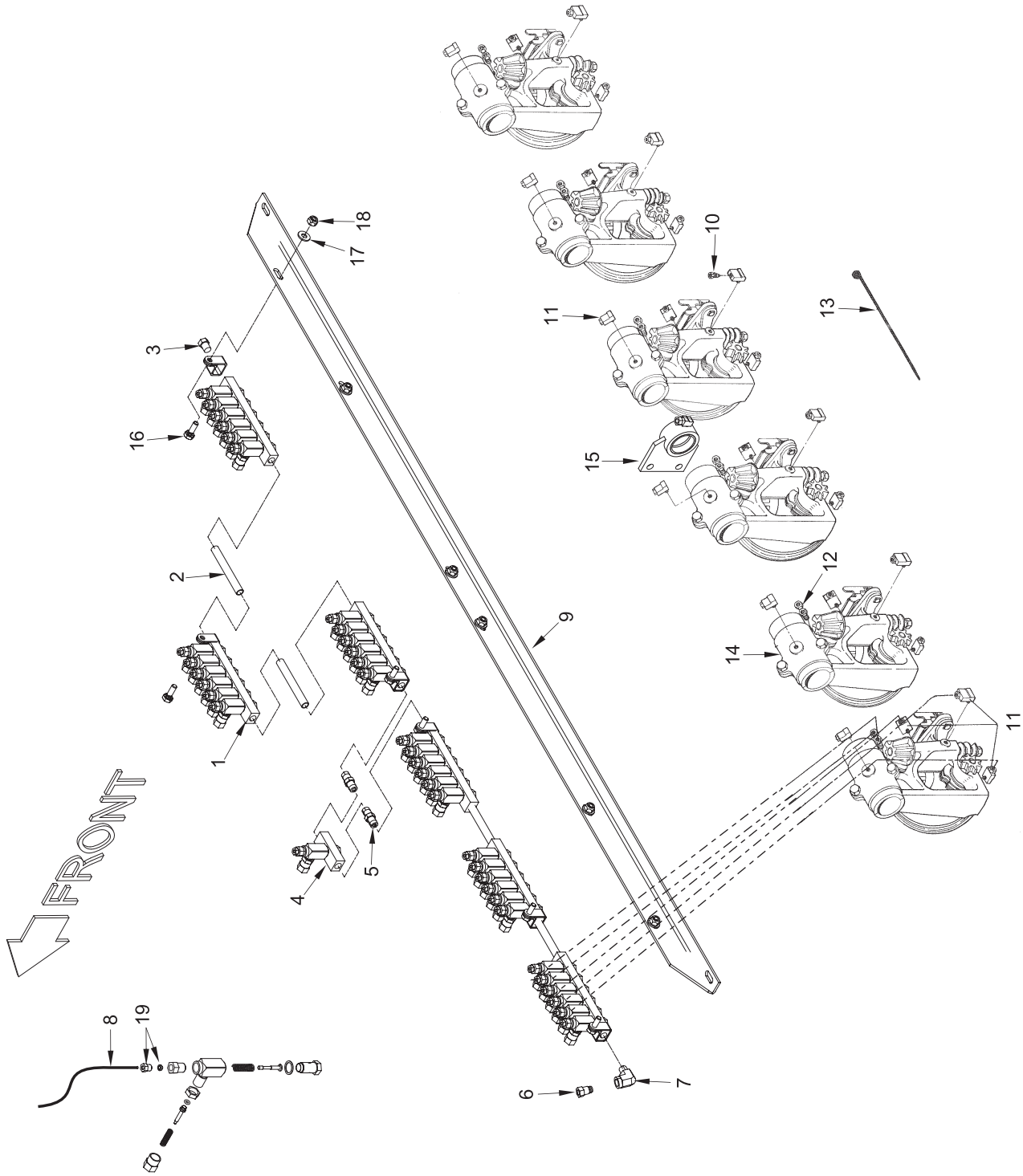


ADDITIONAL 3 TWINE  
TENSIONERS ON THE  
SECOND TWINE BOX.



INTENTIONALLY LEFT BLANK

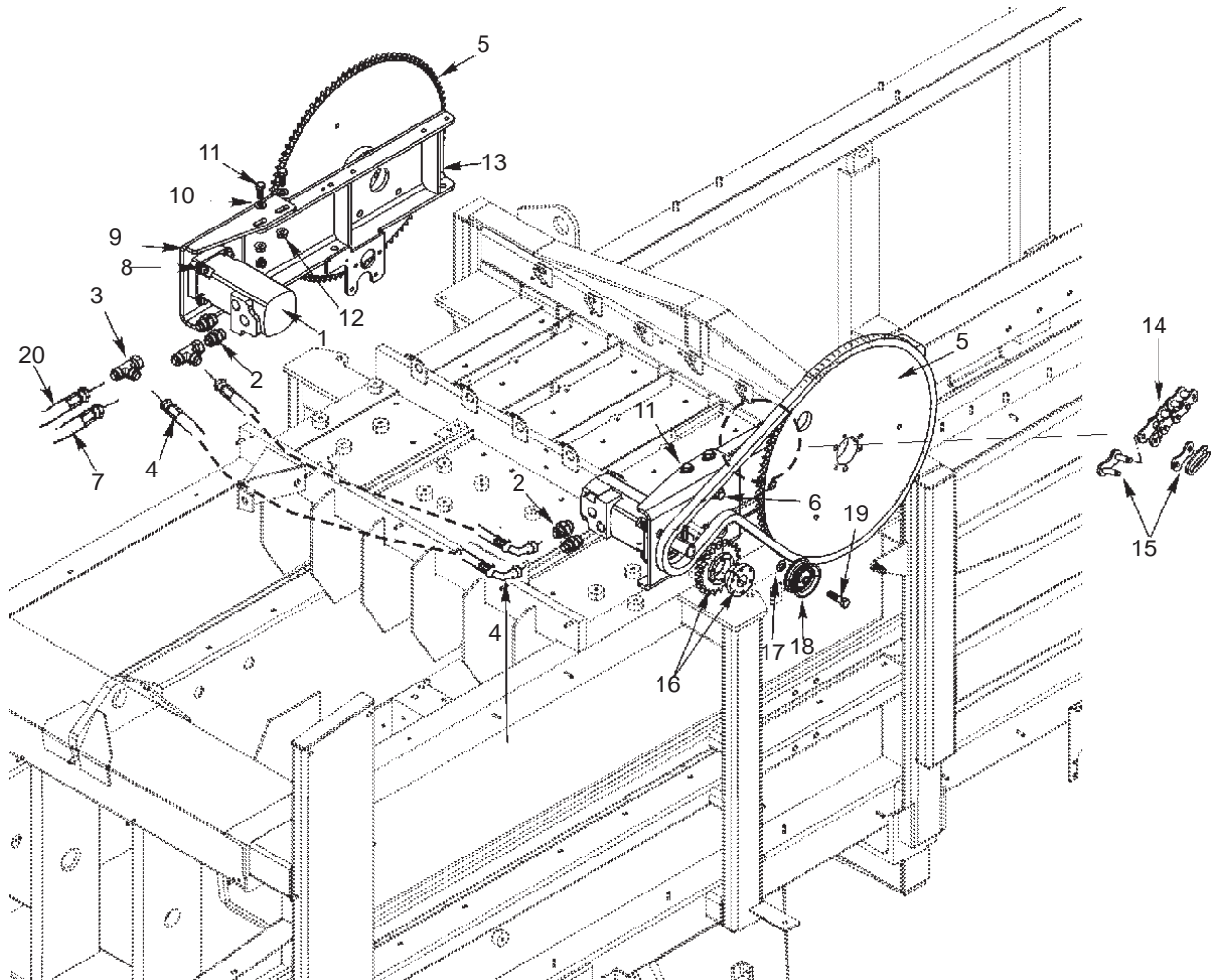
**KNOTTER LUBER ASSEMBLY**



## KNOTTER LUBER ASSEMBLY

REF NO.	PART NO.	DESCRIPTION	QTY. USED
1	LUB0833116	LUBER ASSY, MANIFOLD, 6 HOLE	6
2	PPE1250300	BLK PIPE NIPPLE	4
3	209511	PIPE PLUG	1
4	LUB0833111	LUBER ASSY, MANIFOLD, 1 HOLE	1
5	HYD3069021	HEX NIPPLE	2
6	F000008312	SLEEVE F/F1441	1
7	F 0001441	ELBOW	1
8	NYL0001250	NYLAFLOW TUBING - TYPE LP	A/R
9	BKT0032981	BRKT,MTG;	1
10	F000008306	FERRULE F/AUTO LUBER FITTING	25
11	F000008288	FITTING, LUBE	25
12	F000008287	FITTING, LUBE	12
13	F000008290	CABLE TIE - BLACK	36
14	KNT0613103	KNOTTER HEAD ASSEMBLY -1592D	6
15	BRG0022548	KNOTTER SHAFT CENTER BRG	1
16	222259	CAPSCREW	6
17	R13811443	WASHER	6
18	235620	NUT	6
19	LUB0083924	COMP NUT/SLEEVE F/ SL42 LUB833116	36

**KNOTTER DRIVE**

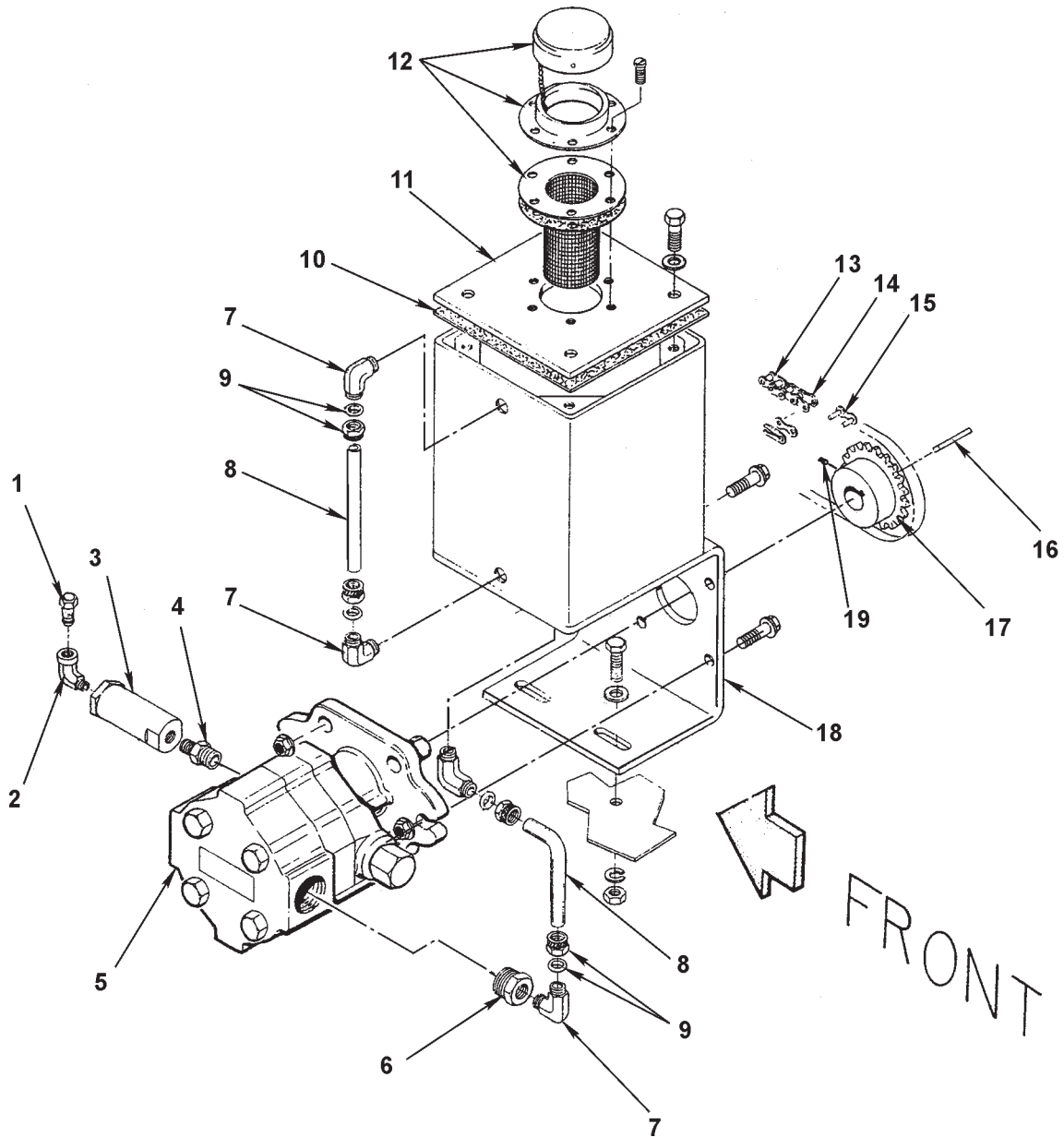


FRONT

## KNOTTER DRIVE

REF NO.	PART NO.	DESCRIPTION	QTY. USED
1	MTR1091102	HYDRAULIC MOTOR F/1592D	2
2	HYD5315060	O-RNG ST THD CONN	4
3	HYD5706060	SWIVEL RUN TEE	2
4	HOS037017A	KNOTTER MOTOR SECONDARY HOSE	2
5	SPK0035580	DOUBLE KNOTTER SPROCKET	2
	BSH0021875	BUSHING	2
	SCC0030006	CAPSCREW	3
	RS20661130	DOUBLE KNOTTER KEY	2
6	SCC0050007	CAPSCREW	2
7	HOS037569A	KNOTTER RETURN HOSE	1
8	SCC0050007	CAPSCREW	8
	WCT0000500	WASHER	16
	NCE0000500	NUT	8
9	MNT036422D	RIGHT KNOTTER MOTOR MOUNT	1
	MNT036421D	LEFT KNOTTER MOTOR MOUNT	1
10	WCT0000500	WASHER	4
11	SCC0050003	CAPSCREW	4
12	NMS0000252	NUT	6
13	MNT036413D	RIGHT DOUBLE KNOTTER MNT	1
	MNT036412D	LEFT DOUBLE KNOTTER MNT	1
14	CHN0060125	DOUBLE KNOTTER DRIVE CHAIN	2
15	F000000760	CONNECTING LINK	2
16	SPK60SDS21	MOTOR DRIVE SPROCKET W/ BSH	2
17	SPC036451A	KNOTTER DRIVE IDLER SPACER	2
18	F000000883	IDLER PULLEY F/KNOT CHAIN DRIV	2
19	SCC0050014	CAPSCREW	2
	NMS0000252	NUT	2
20	HOS037354A	KNOTTER SLOWDOWN KIT HOSE	1

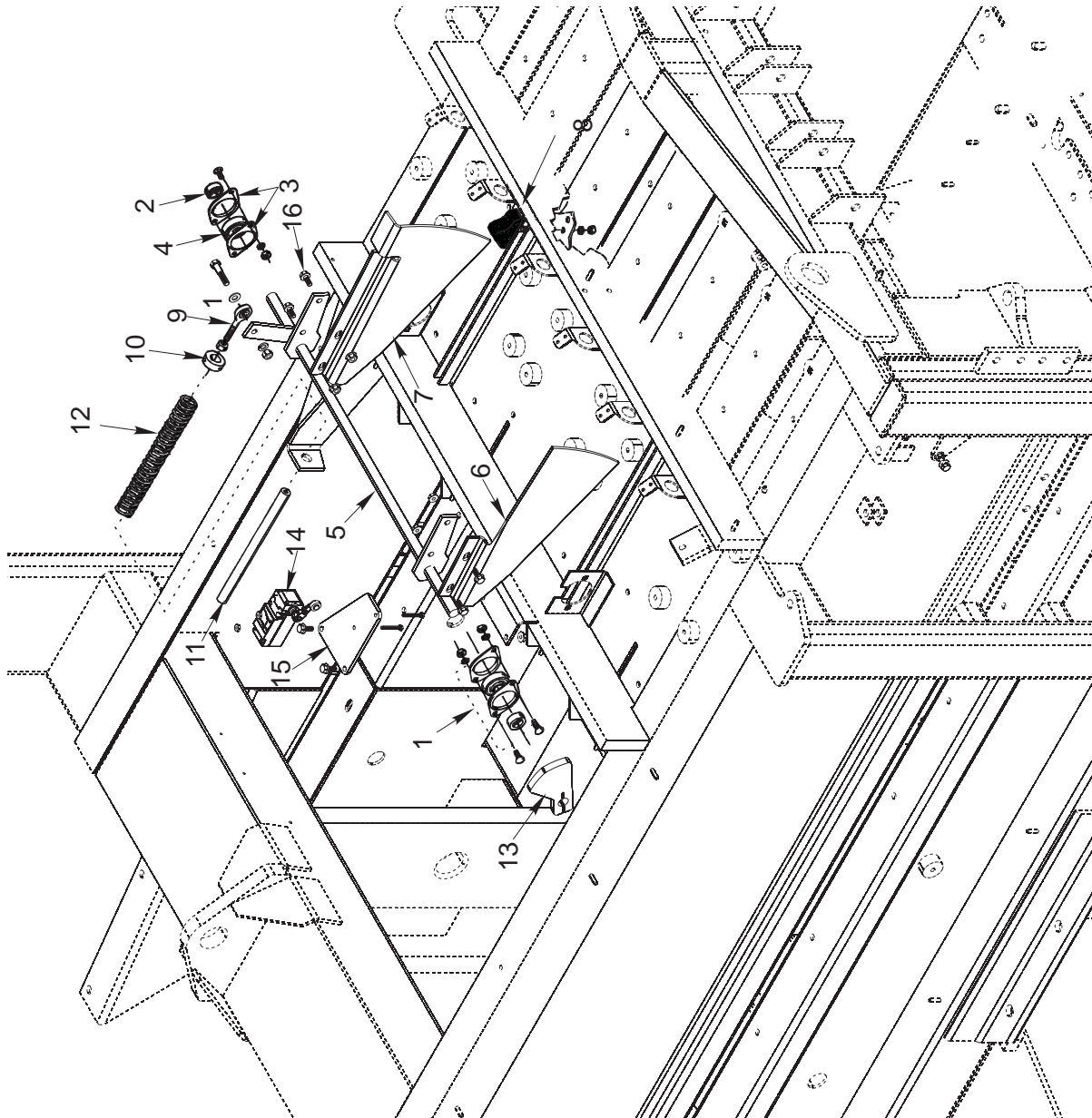
**LUBER PUMP & TANK ASSEMBLY**



## LUBER PUMP & TANK ASSEMBLY

REF NO.	PART NO.	DESCRIPTION	QTY. USED	REF NO.	PART NO.	DESCRIPTION	QTY. USED
1	F 0008312	SLEEVE F/F1441	1	12	FIL0010003	FILTER CAP COMPLETE W/SCREEN	1
2	F 0001441	ELBOW	1		SCC0020003	CAPSCREW	4
3	FIL0009052	IN-LINE FILTER	1		WAS0725002	WAHER.	4
4	HYD3069032	NIPPLE	1	13	FT 0000165	PUMP DRIVE CHAIN-	1
5	PMP0000003	AUTO LUBER PUMP	1		SMR1032500	RH MACH SCREW-PLT	6
	SEL0047311	SEAL KIT	1	14	FT 0000113	CONNECTING LINK -	1
	NMS0000117	NUT	4	15	FT 0000114	OFFSET LINK -	1
	SCC0020002	CAPSCREW	4	16	ZZ 0000403	KEY	1
6	PPE0500250	BUSH	1	17	F 0008201	LUBER/KNOTTER SPROCKET	1
7	F 0008209	BRASS MALE ELBOW	4	18	LUB0017169	LUBER TANK ONLY-1592	1
8	F 0008199	SITE GAUGE F/AUTO LUBER TANK	2		SCC0030002	CAPSCREW	2
9	IMP0026106	NUT & SLEEVE ASSEMBLY	4		WCT0000375	WASHER	2
	IMP0026006	PLASTIC SLEEVE ONLY	4		WLK0000375	WASHER	2
10	F 0008198	GASKET F/AUTO LUBER TANK	1		NCH0000375	NUT	2
11	F 0008197	TANK COVER F/F-8196	1	19	STS2500250	SETSCREW	2

**FULL FEED SENSOR ASSEMBLY**



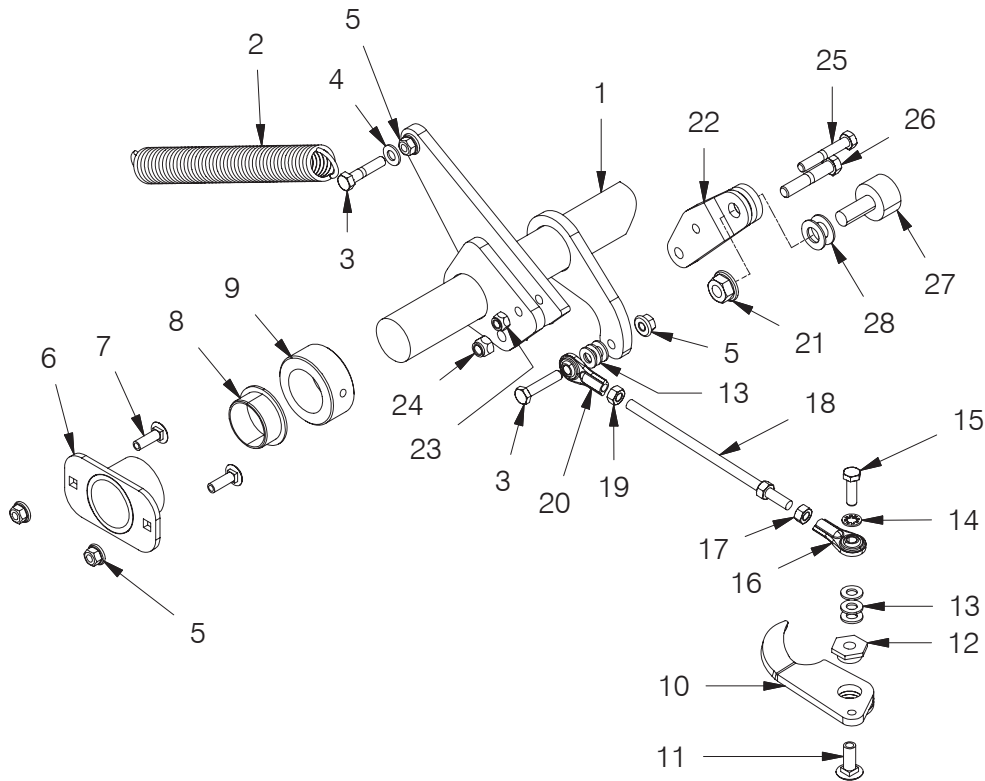
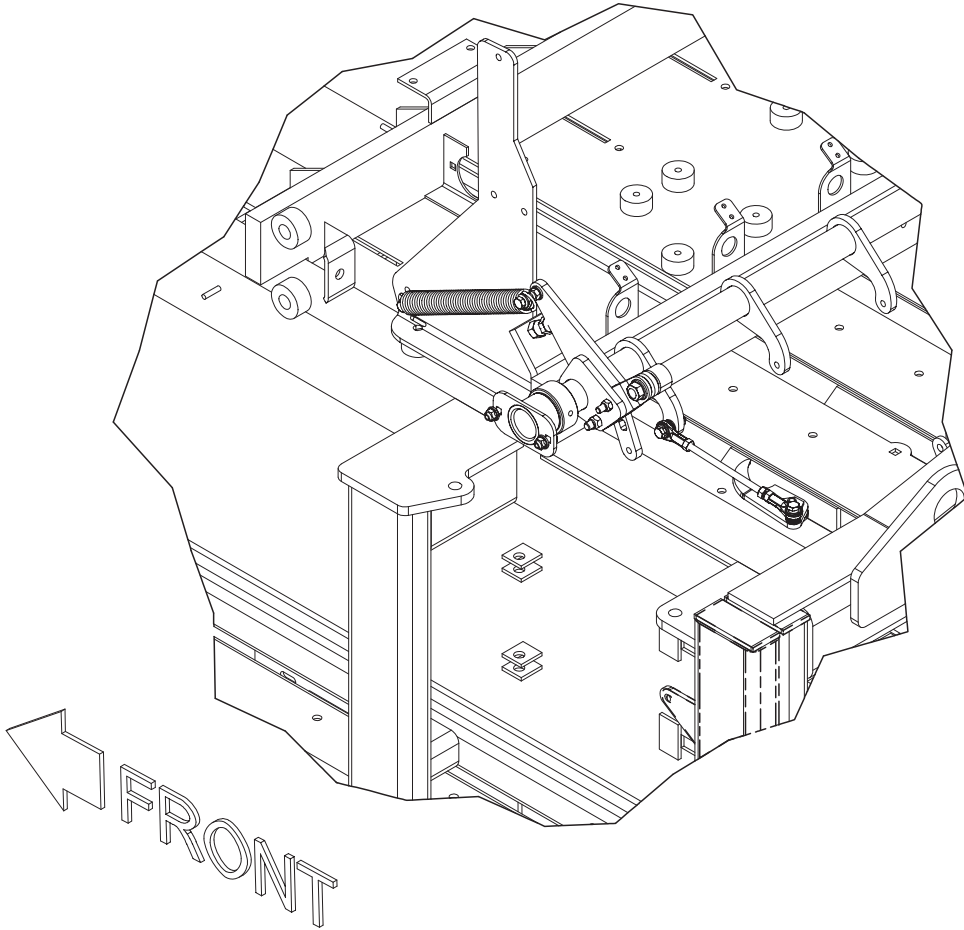


## FULL FEED SENSOR ASSEMBLY

REF NO.	PART NO.	DESCRIPTION	QTY. USED	REF NO.	PART NO.	DESCRIPTION	QTY. USED
1	F 0001618	METER WHEEL SHAFT BRG W/CLAMPS	2				
	WLK0000313	WASHER	4	8	F 0008264	RUBBER BUMPER	1
	NCH0000313	NUT	4		WLK0000375	WASHER	1
	CRB3130075	BOLT	4		NFH0000375	NUT	1
2	F 0001890	LOCKING COLLAR (PART OF REF#4)	2	9	ROD0000600	ROD END L	1
3	F 0001889	FLANGETTE F/F1618 BEARING	4		SCC0030004	CAPSCREW	1
4	F 0001619	METER WHEEL SHAFT-BEARING ONLY	2		WCT0000375	WASHER	1
5	ARM0022540	FEED SENSOR ARM ASSEMBLY	1		WLK0000375	WASHER	1
6	PDL0015668	LH FEED SENSOR PADDLE - 38"	1		NCH0000375	NUT	1
	PDL0027208	LH FEED SENSOR PADDLE -36" C/O	1		NFH0000375	NUT	1
	PDL035816E	LH FEED SENSOR PADDLE,34-1/2"	1	10	F 0000172	STEEL SET COLLAR	1
	WLK0000375	LOCKWASHER 3/8 MEDIUM PLTD	2	11	ROD0015671	FEED SENSOR GUIDE ROD	1
	NCH0000375	NUT	2	12	04-105	06-130,INDEX TRIP,RETURN	1
	SCC0030002	CAPSCREW	2	13	CAM0015917	CHARGE SWITCH CAM	1
7	PDL0017210	RH FEED SENSOR PADDLE-38"	1		SCC0030002	CAPSCREW	4
	PDL0027207	RH FEED SENSOR PADDLE -36" C/O	1		SCC0020005	CAPSCREW	1
	PDL035817E	RH FEED SENSOR PADDLE,34-1/2"	1		NCE0000313	NUT	1
	WLK0000375	WASHER	2	14*	SWI0005079	LIMIT SWITCH -4 POST	1
	NCH0000375	NUT	2		SMR1032150	RND HD MS NF 10-32X1-1/2	2
	SCC0030002	CAPSCREW	2	15*	MNT037268B	LS-3 LIMIT SWITCH MOUNT	1
				16	SCC0030002	CAPSCREW	4
					NMS0000376	NUT	4

\* LIMIT SWITCHES HAVE BEEN REPLACED, SEE NOTE AT BEGINNING OF TABLE OF CONTENTS.

### TWINE FINGER DRIVE ASSEMBLY

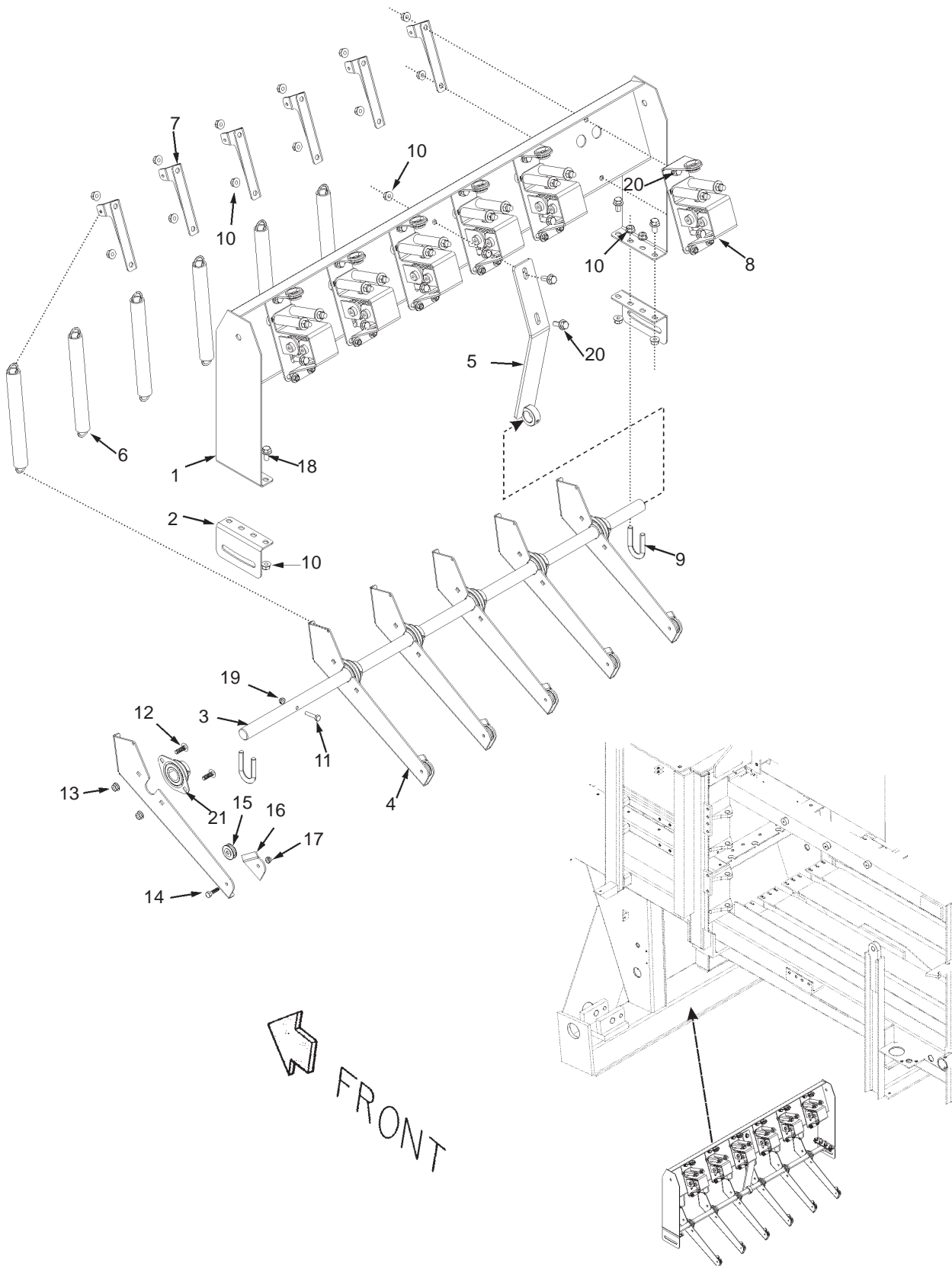


FRM036504E TF1

## TWINE FINGER DRIVE ASSEMBLY

REF NO.	PART NO.	DESCRIPTION	QTY. USED
1	SHF036372D	DRIVE SHAFT;*C; 1592D	1
2	F000001517	TRIP SPRING	1
3	R13811016	CAPSCREW	7
4	223428	WASHER	1
5	00273802	NUT	4
6	MNT036396B	TWINE FINGER SHAFT BRG MNT	2
7	CRB3130100	BOLT	4
8	BRG0000012	BEARING, TWINE FINGER SHAFT	2
9	ZZ00002004	SET COLLAR 1-1/2" STEEL	2
10	KNT037142B	DBL KNOT TWINE FINGER-MACHINED	6
11	CRB3750100	BOLT	6
12	F000008144	TWINE FINGER BUSHING NUT	6
13	R13811444	WASHER	AR
14	WIS0003125	INTERNAL STAR WASHER 5/16 PLTD	6
15	SFC0020002	CAPSCREW	6
16	BRG0001301	ROD END BRG 5/16 RH FEMALE	6
17	NFH0003125	NUT	6
18	ROD037018B	TWINE FINGER DRIVE ROD	6
19	NFL0003125	LH JAM NUT	6
20	BRG0001300	ROD END BEARING 5/16 BORE, LH	6
21	NMS0005000	NUT	6
22	900912	TWINE FINGER SHEAR LEVER	6
23	NCE0000313	NUT	6
24	NCE0000375	NUT	6
25	SCC0020003	CAPSCREW	1
26	SCC0030008	CAPSCREW	1
27	BRGCRSBC20	1-1/4"STUD CAM FOLLOWER	1
28	WAS0000104	WASHER	2

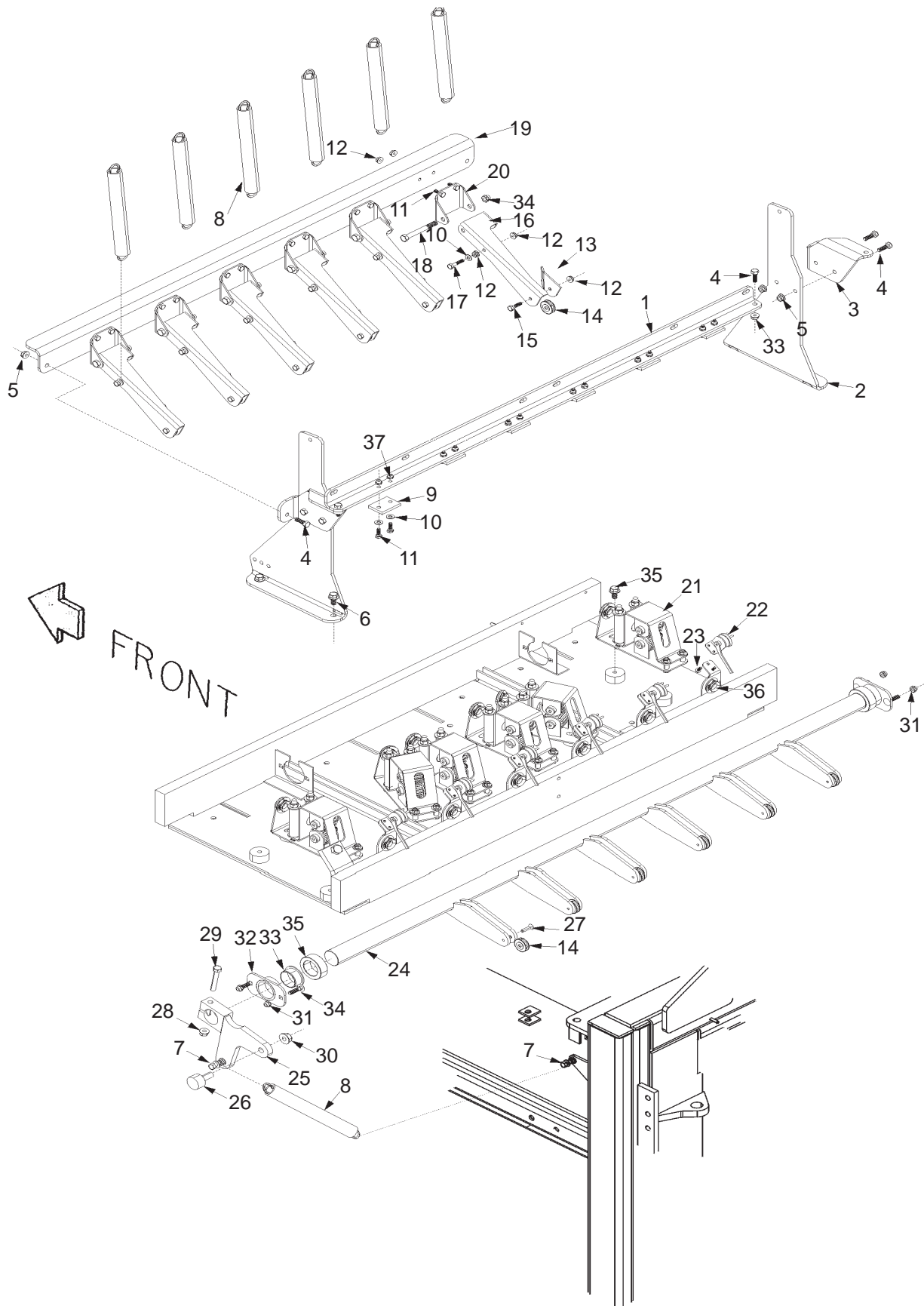
**TWINE TENSION ASSEMBLY (BOTTOM)**



## TWINE TENSION ASSEMBLY (BOTTOM)

REF NO.	PART NO.	DESCRIPTION	QTY. USED
1	MNT036444E	LOWER SLACK PULLER UPPER MNT	1
2	DRW036447D	LOWER SLACK PULLER MOUNT	2
3	SHF036448B	BOTTOM SLACK PULLER SHAFT	1
4	KNT037069D	BOTTOM SLACK PULLER	6
5	SUP036464B	BTM SLACK PULLER SHFT SUP BKT	1
6	F000001517	TRIP SPRING	6
7	MNT036449B	BTM SLACK PULLER SPRING MNT	6
8	TNS0035148	TWINE ROLLER TENSIONER ASSY	6
9	UBL1375225	U-BOLT	8
10	NMS0000375	NUT	2
11	SCC0010005	CAPSCREW	6
12	CRB3130075	BOLT	12
13	NMS0000117	NUT	12
14	SCC0010002	CAPSCREW	6
15	PUL0000001	PULLEY	6
16	KNT037070A	BOTTOM SLACK PULLER SIDE	6
17	NMS0000250	NUT	6
18	SMS0000181	BOLT	4
19	NCE0000250	NUT	6
20	174413W	SCREW	2
21	BRG4164PP2	BEARING 1"BORE	6

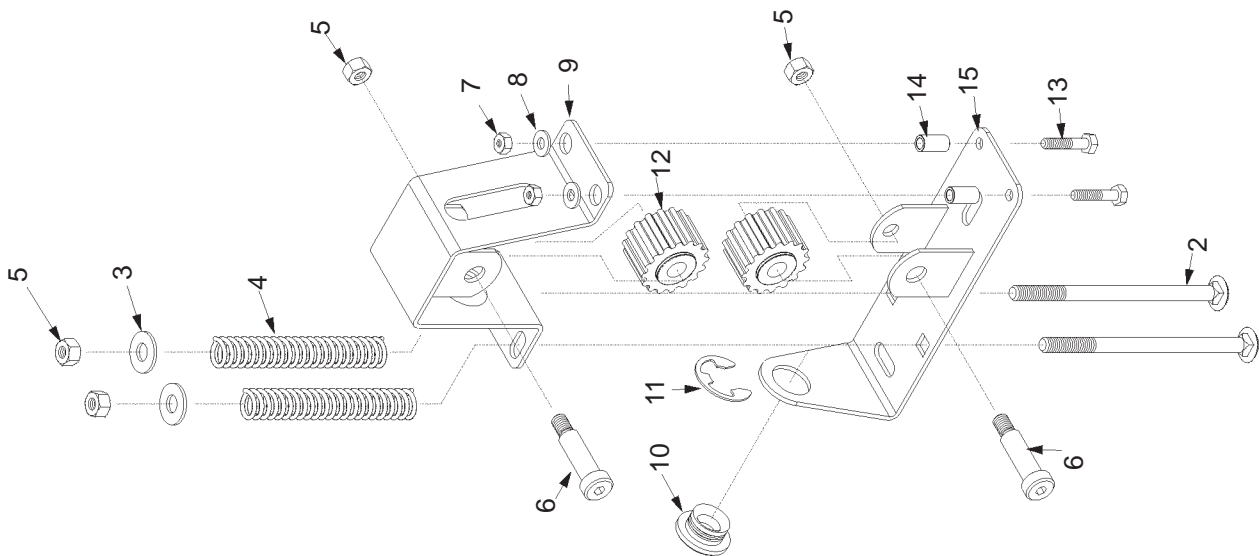
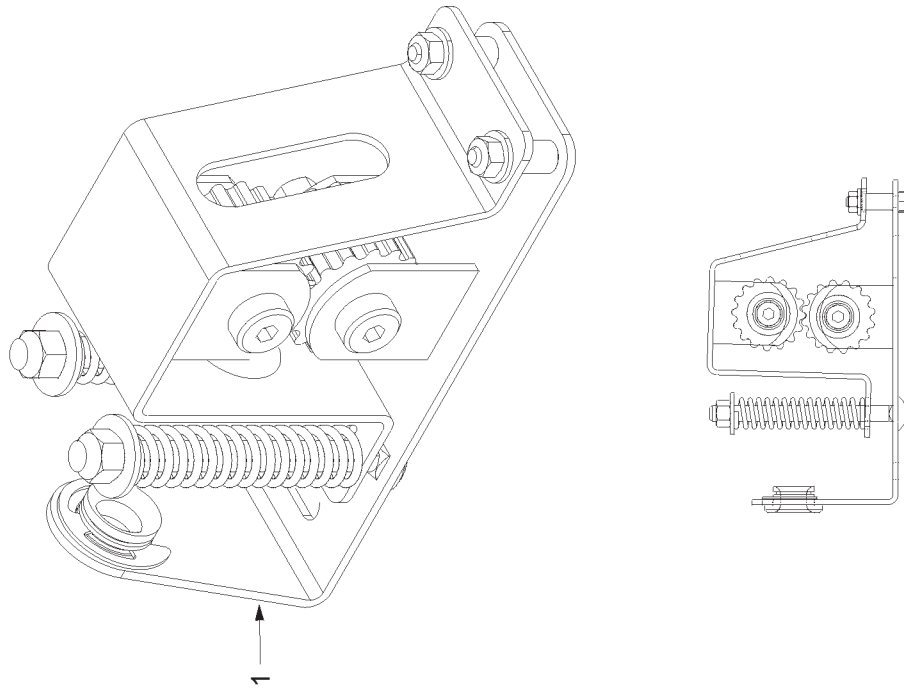
**TWINE TENSION ASSEMBLY (TOP)**



## TWINE TENSION ASSEMBLY (TOP)

REF NO.	PART NO.	DESCRIPTION	QTY. USED	REF NO.	PART NO.	DESCRIPTION	QTY. USED
1	BKT036749D	DOUBLE KNOTTER LUBER BRKT	1	21	TNS0035148	TWINE ROLLER TENSIONER ASSY	6
2	MNT036747D	RIGHT SLACK PULLER MOUNT	1	22	F00000946	WIRE ALARM SWITCH F/ELC21608	6
	MNT036746D	LEFT SLACK PULLER MOUNT-	1	23	SMR1032038	RND HD MS	12
3	MNT036745B	RIGHT LUBER MOUNT BRACKET	1	24	SHF036390D	TWINE TUCKER -	1
	MNT036744B	LEFT LUBER MOUNT BRACKET-	1	25	LEV036393B	TWINE TUCKER FOLLOWER LEVER	1
4	SCC0020002	CAPSCREW	8	26	BRGCRSBC20	1-1/4"STUD CAM FOLLOWER	1
5	NMS0000117	NUT	6	27	SCO0000102	CAPSCREW	6
6	SMS0000181	BOLT	4	28	NMS0000375	NUT	1
7	SCC0020004	CAPSCREW	2	29	SCC0030008	CAPSCREW	1
	WCT0000313	WASHER	4	30	NFH0000500	NUT	1
	NMS0000117	NUT	2	31	NCE0000313	NUT	4
8	F000001517	SPRING ( TWINE FINGER )	7	32	MNT036396B	TWNE FINGER SHAFT BRG MNT	2
9	PAD0025218	PAD W/ HOLES FOR	6	33	BRG0000012	BEARING, TWINE FINGER SHAFT	2
10	WCT0000250	WASHER	12	34	CRB3130100	BOLT	4
11	SCC0010001	CAPSCREW	24	35	ZZ00002004	SET COLLAR 1-1/2" STEEL	2
12	NMS0000250	NUT	30	36	F000000856	TWINE & WIRE GUIDE BUSHING	6
13	KNT036432B	TOP SLACK PULLER SIDE	6		F000000857	SNAP RING F/TWN GUIDE BUSHING	6
14	PUL0000001	PULLEY	12	37	NCE0000250	NUT	12
15	SCC0010002	CAPSCREW	6				
16	KNT036431D	TOP SLACK PULLER	6				
17	SCC0010003	CAPSCREW	6				
18	SCC0030013	CAPSCREW	6				
19	MNT036433E	TOP SLACK PULLER MOUNT	1				
20	BKT036434B	TOP SLACK PULLER BRACKET	6				

**TWINE TENSIONER ASSEMBLY**



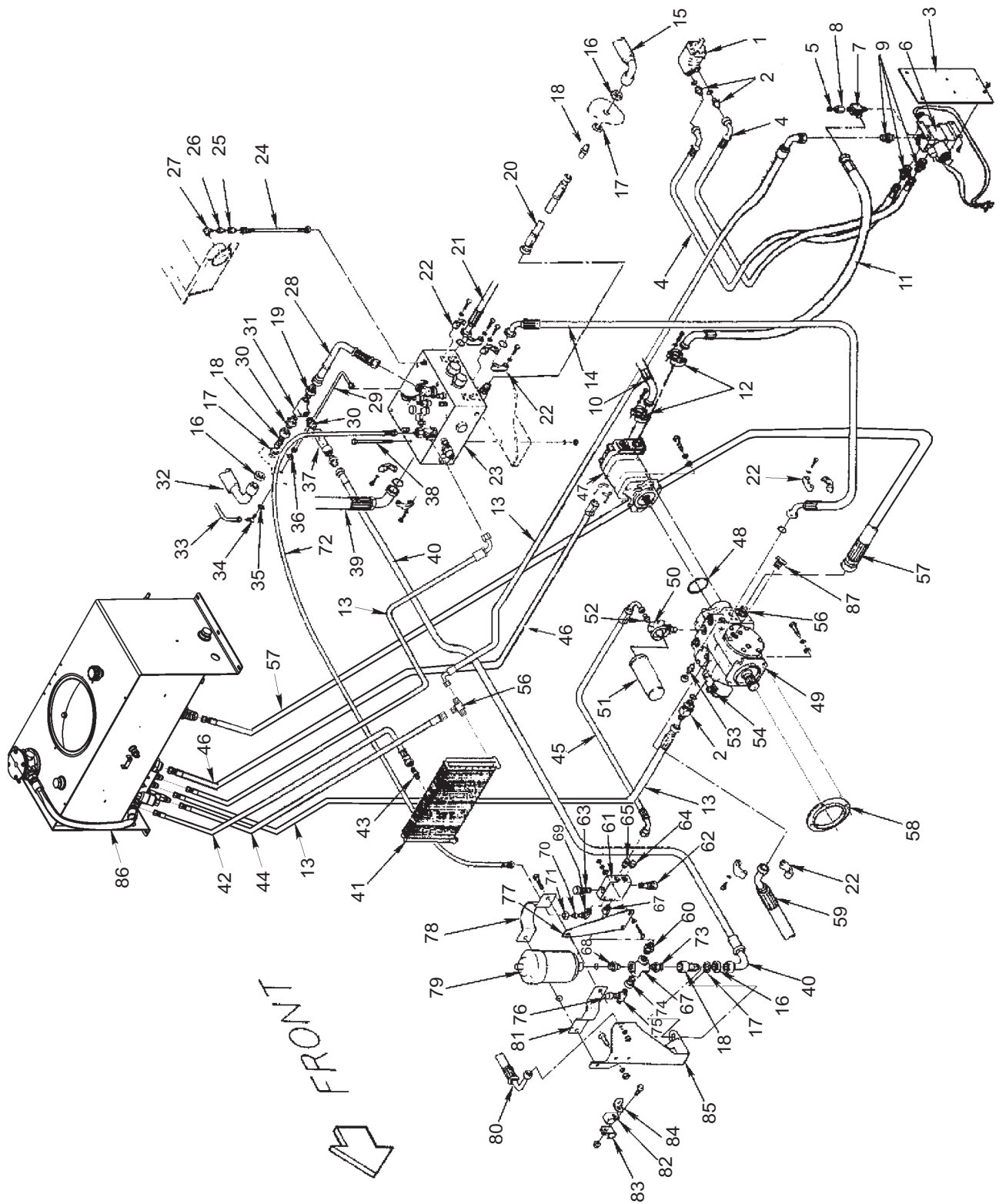


---

## TWINE TENSIONER ASSEMBLY

REF NO.	PART NO.	DESCRIPTION	QTY. USED
1	TNS0035148	TWINE ROLLER TENSIONER ASSY	1
2	CRB3750400	BOLT	2
3	WCT0000375	WASHER	2
4	SPG0750350	COMPRESSION SPRING F/ 1600	2
5	NCE0000375	NUT	4
6	SMS5001500	BOLT	2
7	NCH0000250	NUT	2
8	WCT0000250	WASHER	2
9	FRM0035141	UPPER TWINE TENS FRAME ASSY	1
10	F000000856	TWINE & WIRE GUIDE BUSHING	2
11	F000000857	SNAP RING F/TWN GUIDE BUSHING	1
12	ROL0035138	TWINE TENSIONER ROLLER	2
13	SCC0010003	CAPSCREW	2
14	SPC0035139	TWINE TENSIONER SPACER	2
15	FRM0035143	LOWER TWINE TENS FRAME ASY	1

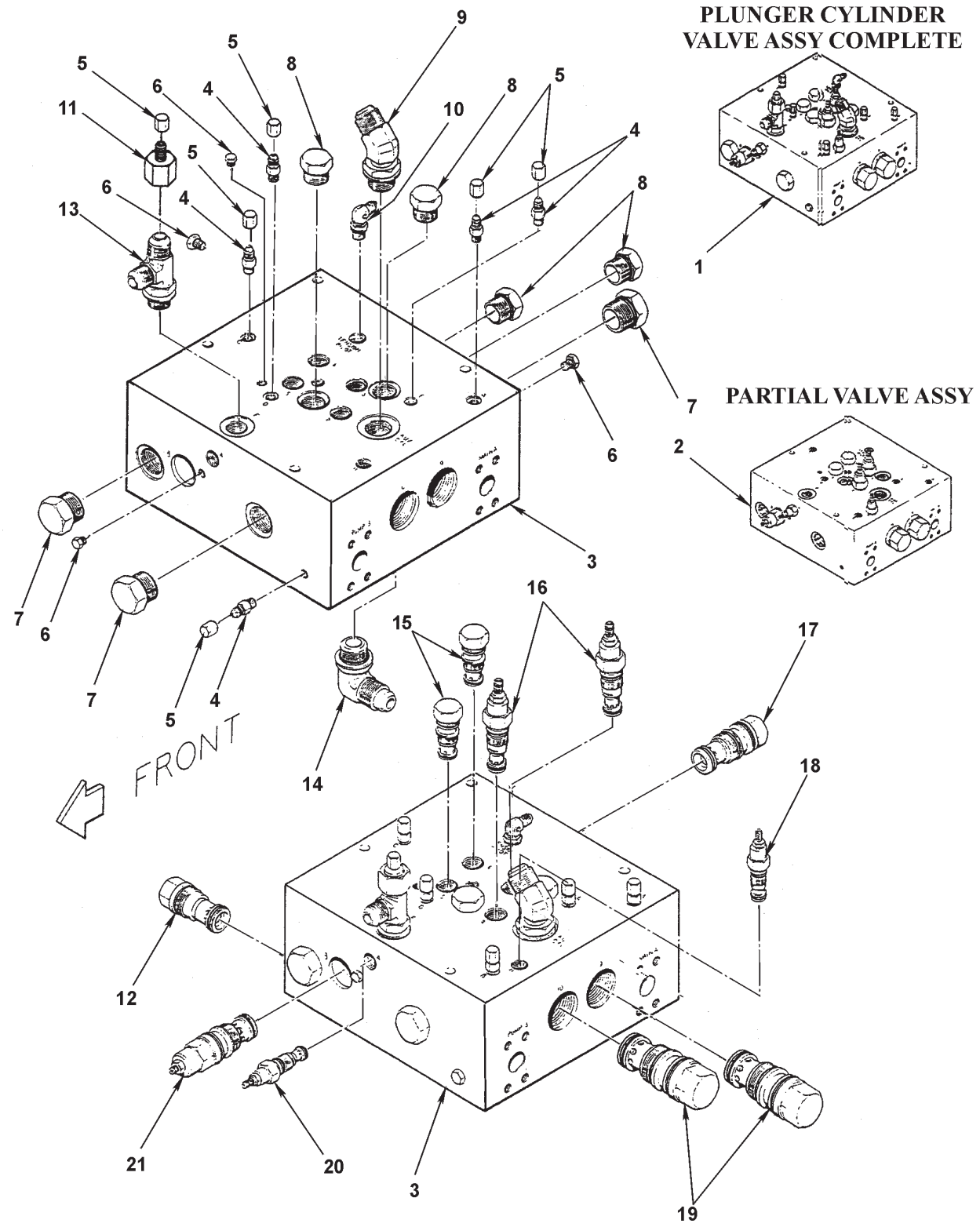
**MAIN SYSTEM HYDRAULICS ASSEMBLY**



## MAIN SYSTEM HYDRAULICS ASSEMBLY

REF NO.	PART NO.	DESCRIPTION	QTY. USED	REF NO.	PART NO.	DESCRIPTION	QTY. USED
1	MTR1091104	MOTOR 40000 HP	1	46	HOS0035162	HOSE- PUMP SUCTION	1
	SEL0061236	FRONT SEAL KIT	A/R	47	PMP3301972	DUAL PUMP, MAIN	1
	SEL0061234	REAR SEAL KIT	A/R		SEL0600652	SEAL KIT	A/R
2	209215	CONN. O-RING STR THD	2	48	RNG0000045	O-RING- MECHANICAL DRIVE PUMP	1
3	MNT0505622	MOUNT-SOLENOID VALVE	1	49	258005	PUMP-SERIES 90	1
4	HOS036689A	FEEDER VLV TO FEEDER MOTOR HOSE	1	50	FIL8800200	FILTER MANIFOLD	1
5	212097	JIC CAP	1	51	FIL0164056	FILTER FOR PUMP	1
6	VLV0000062	SOLENOID VALVE 4 WAY 3 POS 12VDC	1	52	HYD5315043	CONN. 1/2 JIC X 3/8 O-RING STR THD	1
	VLV0000034	RELIEF VLV CART,53GPM,6000 PSI	1	53	HYD5315023	CONN. 1/4 JIC X 3/8 O-RING STR THD	1
	VLV0000035	VALVE SUBPLATE,	1	54	PMP1111002	PUMP CONTROLLER	1
7	HYD5706060	3/4" JIC SWIVEL RUN TEE	1	55	HYD5716060	RUN TEE 3/4 JIC X 3/4 MALE	2
8	14151	3/4 TO 1/4 JIC TUBE REDUCER	1	56	HYD5315121	CONN. 1-1/2 JIC X 1-1/4 O-RING	1
9	209215	3/4 JIC X 3/4 O-RNG ST THD CONN	4	57	HOS0023488	HOSE-PUMP SUCTION	1
10	HOS0032166	FEEDER MANIFOLD PRESSURE HOSE	1	58	DPT0018751	PUMP PILOT ADAPTER	1
11	HOS0032167	HOSE PMP-FDR VLV PRESSURE PORT	1	59	HOS0015874	HOSE-PLUNGER CYLINDER	1
12	FLG0001501	FLANGE KIT	2	60	17951	NIPPLE 3/4 X 1/2 NPT STEEL HEX	1
13	229543	HOSE-RETURN FEEDER VALVE	1	61	VLV1312YCF	DUMP VALVE	1
14	HOS0024980	HOSE-PRESSURE RETRACE	1	62	VLVCXFAXCN	RELIEF VALVE	1
15	HOS0023451	HOSE-LH MAKE UP CYLINDER BASE	1	63	VLVCOFAXAN	RELIEF VALVE	1
16	HYD5924080	NUT	3	64	229345	PLUG 1/2 O-RING HEX HD PLTD	1
17	WIS0012500	WASHER	3	65	209805	CONN. 1/2 JIC X 1/2 O-RING STR THD	1
18	HYD5275080	CONN. 1" JIC X 1"NPT FML BULKHEAD	3	66	HYD3959060	CROSS 3/4 STEEL PIPE	1
19	HYD5205070	CONN.1" JIC X 1"NPT MALE	3	67	HYD3269044	ADAPTER 1/2 O-RING X 1/2 NPT FMLE	1
20	212435	HOSE-LEFT MAKE UP CYLINDER 54"	1	68	HYD3249060	ADAPTER 3/4 O-RING X 3/4 NPT MLE	1
21	HOS0024887	HOSE-PLUNGER CYLINDER	1	69	209488	ELBOW 1/2 JIC X 1/2 O-RING 90 DEG.	1
22	FLG0001501	1" SPLIT FLG W/O RING & BOLT KIT	5	70	218584	REDUCER 1/2 JIC X 1/4 JIC	1
23	VLV0013120	PLUNGER CYL. VALVE ASSY COMP.	1	71	212763	NUT	1
24	238226	HOSE-CONTR. VLV TO 10 PRES GAUGE	1	72	HOS0022137	HOSE-CONTRL VALVE TO DUMP VALVE	1
25	HYD5255022	CONN. 1/4 JIC X 1/4 NPT FMLE	1	73	21205	NIPPLE 1 NPT X 3/4 NPT STEEL HEX	1
26	HYD0010000	PULSATION DAMPENER F/23350	1	74	209506	BUSHING 3/4 NPT X 1/2 NPT STEEL	1
27	HYD3409020	STREET ELBOW 1/4 X 90 DEG.	1	75	HYD5755444	RUN TEE 1/2 JIC X 1/2 NPT MALE	1
28	HOS0024973	HOSE-PLUNGER VALVE	1	76	215515	CAP 1/2 JIC	1
29	TBE0024975	TUBE-PLUNGER VLV-BULKHEAD	1	77	BKT0024954	ACCUM. DUMP VALVE BRACKET	1
30	HYD3069070	BUSHING 1" NPT HEX STEEL	2	78	CLP0022217	ACCUMULATOR CLIP 1/2 GREER	1
31	HYD3709070	PIPE TEE 1" FEMALE STEEL	1	79	ACM0800087	ACCUMULATOR 1 GAL CHARGED	1
32	HOS0023451	HOSE-RIGHT MAKE UP CYLINDER	1	80	HOS0016624	HOSE-VALVE MANIFOLD PILOT	1
33	TBE0023719	TUBE-FRONT TENSION PILOT	1	81	CLP0022216	ACCUMULATOR CLIP 1/2 GREER	1
34	HYD5525030	ELB 3/8" JIC X 90 DEG. BLKHD UNION	1	82	CLP7701164	1-1/4 INSULATED HOSE CLAMP	1
35	WIS0005625	WASHER	1	83	CLP7701163	1" INSULATED HOSE CLAMP	1
36	HYD5924030	NUT	1	84	BKT0023472	HOSE SUPPORT BRCKT TENS CONTRL.	1
37	VLV0000453	CHECK VALVE	1	85	MNT0015856	ACCUMULATOR MOUNT	1
38	SCC0030020	BOLT	4	86	241590	HOSE ASSY	1
39	HOS0024889	HOSE-PLUNGER CYLINDER ROD END	1	87	209089	3/4 JIC PLUG	1
40	HOS0023460	HOSE-ACCUMULATOR DISCHARGE	1				
41	CLR21133S1	OIL COOLER	1				
42	HOS0023435	HOSE-FEED KNOTTER MNFLD RETURN	1				
43	F 0006675	CONN. 3/4" JIC X 1" NPT MALE	2				
44	HOS036693A	HOSE-OIL COOLER BYPASS	1				
45	HOS0020543	HYDRAULIC HOSE	1				

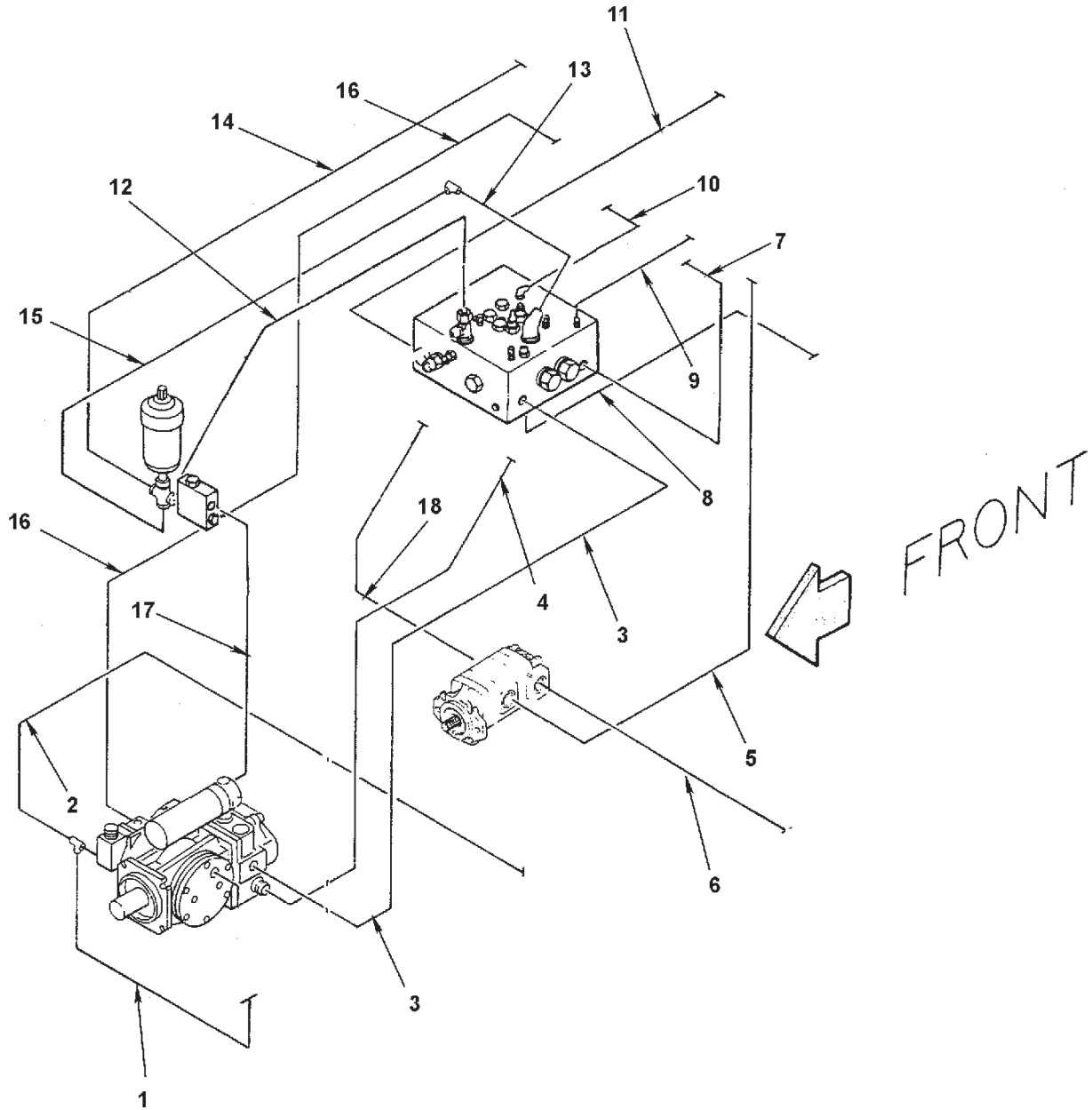
### PLUNGER CYLINDER VALVE ASSEMBLY



## PLUNGER CYLINDER VALVE ASSEMBLY

REF NO.	PART NO.	DESCRIPTION	QTY. USED	REF NO.	PART NO.	DESCRIPTION	QTY. USED
1	VLV0013120	PLUNGER CYL. VALVE ASSY COMP.	1	14	HYD5515070	ELBOW 16M X 16M JIC 90 DEG.	1
	904738	SEAL KIT-PLUNGER CYL. VALVE	1	15	VLVLKFCXDV	SUN LOGIC CARTRIDGE #5	2
2	VLV0028071	PLUNGER CYL. VALVE W/O FITTINGS	1		SEL0002006	SEAL KIT-SUN LOGIC CARTRIDGE	2
3	VLV1312000	PLUNGER CYL. VALVE BODY	1	16	VLVRPGCLCV	RELIEF VALVE CARTRIDGE	2
4	209083	CONN. 6M O-RING X 4M JIC STR	5		SEL0003006	SEAL KIT-RELIEF VALVE CARTRIDGE	2
5	HYD5129020	CAP 1/4 JIC	6	17	VLVCOHBXFV	PILOT CLOSE CHECK CARTRIDGE	1
6	HYD7237020	PLUG 6M	5		SEL0017006	SEAL KIT-PILOT CLOSE CHECK CART.	1
7	HYD7237080	PLUG 16M	3	18	VLVNCCBLV	NEEDLE VALVE CARTRIDGE	1
8	HYD7237060	PLUG 12M	4		SEL0010006	SEAL KIT-NEEDLE VALVE CARTRIDGE	1
9	HYD5365080	ELBOW 16M O-RING X 16M JIC 45 DEG.	1	19	VLVLKJCXDV	LOGIC VALVE CARTRIDGE	2
10	HYD5515030	ELBOW 6M JIC X 6M ADJ. 90 DEG.	1		SEL0019006	SEAL KIT-LOGIC VALVE CARTRIDGE	2
11	HYD5105062	CONN. 12F JIC X 4M JIC STR	1	20	VLVRPECLQV	RELIEF VALVE CARTRIDGE	1
12	VLVCXHAXCV	CHECK VALVE CARTRIDGE	1		SEL0010006	SEAL KIT-RELIEF VALVE CARTRIDGE	1
	SEL0002006	SEAL KIT-CHECK VALVE CARTRIDGE	1	21	VLVCBGYLHV	COUNTERBALANCE VALVE	1
13	HYD5716060	TEE 12 JIC X 12M ADJ. STR THD	1		SEL0017006	SEAL KIT-COUNTERBALANCE VALVE	1

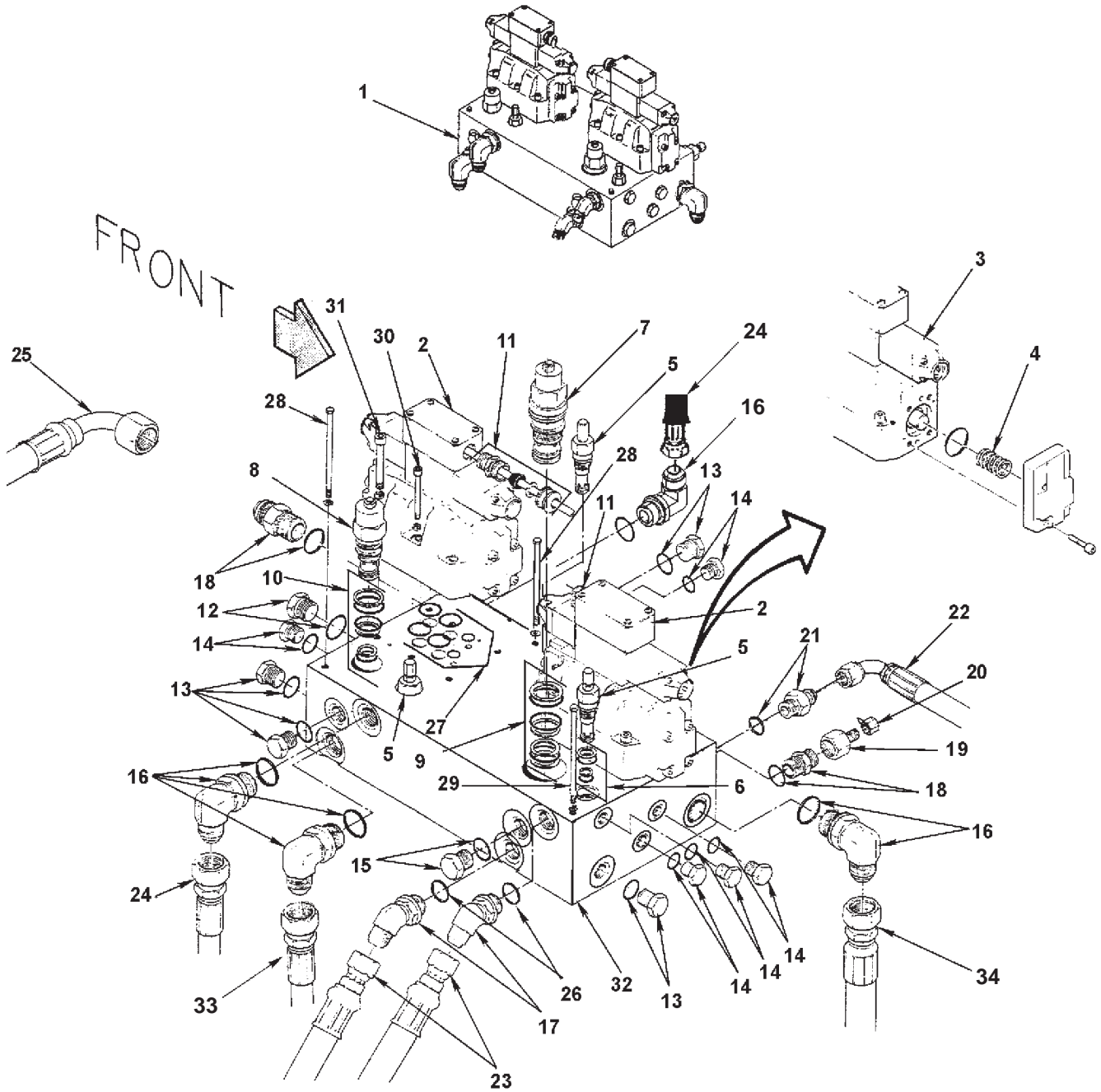
**MAIN SYSTEM HOSE ASSEMBLIES**



## MAIN SYSTEM HOSE ASSEMBLIES

REF NO.	PART NO.	DESCRIPTION	QTY. USED
1	HOS036693A	OIL COOLER BYPASS HOSE	1
2	HOS0025040	HOSE-PUMP CASE DRAIN-CK & RLF	2
3	HOS0024980	HOSE-PRESSURE RETRACE	1
4	HOS0023488	HOSE-PUMP SUCTION	1
5	HOS0032166	FEEDER MANIFOLD PRESSURE HOSE	1
6	HOS0032167	PUMP-FEEDER VALVE PRES PORT	1
7	HOS0024887	HOSE-PLUNGER CYLINDER	1
8	HOS0024984	HOSE-LEFT MAKE UP CYLINDER 54"	1
9	HOS0028188	HOSE-CONT. VAL TO 10M PRESS. GAG	1
10	TBE0024975	TUBE-PLUNGER VALVE PILOT	1
11	HOS0024889	HOSE-PLUNGER CYLINDER ROD END	1
12	HOS0022137	HOSE-10M PRESSURE GAUGE	1
13	HOS0024973	HOSE PLUNGER VALVE BULKHEAD	1
14	HOS0016624	HOSE-VALVE MANIFOLD PILOT	1
15	HOS0023460	HOSE-ACCUMULATOR DISCHARGE	1
16	HOS0015874	HOSE-PLUNGER CYLINDER	1
17	HOS0020543	HOSE-ACCUMULATOR CHARGE	1
18	HOS0035162	COMMERCIAL PUMP SUCTION HOSE	1

**KNOTTER AND FEED FORK MANIFOLD VALVE/HOSE ASSEMBLIES**

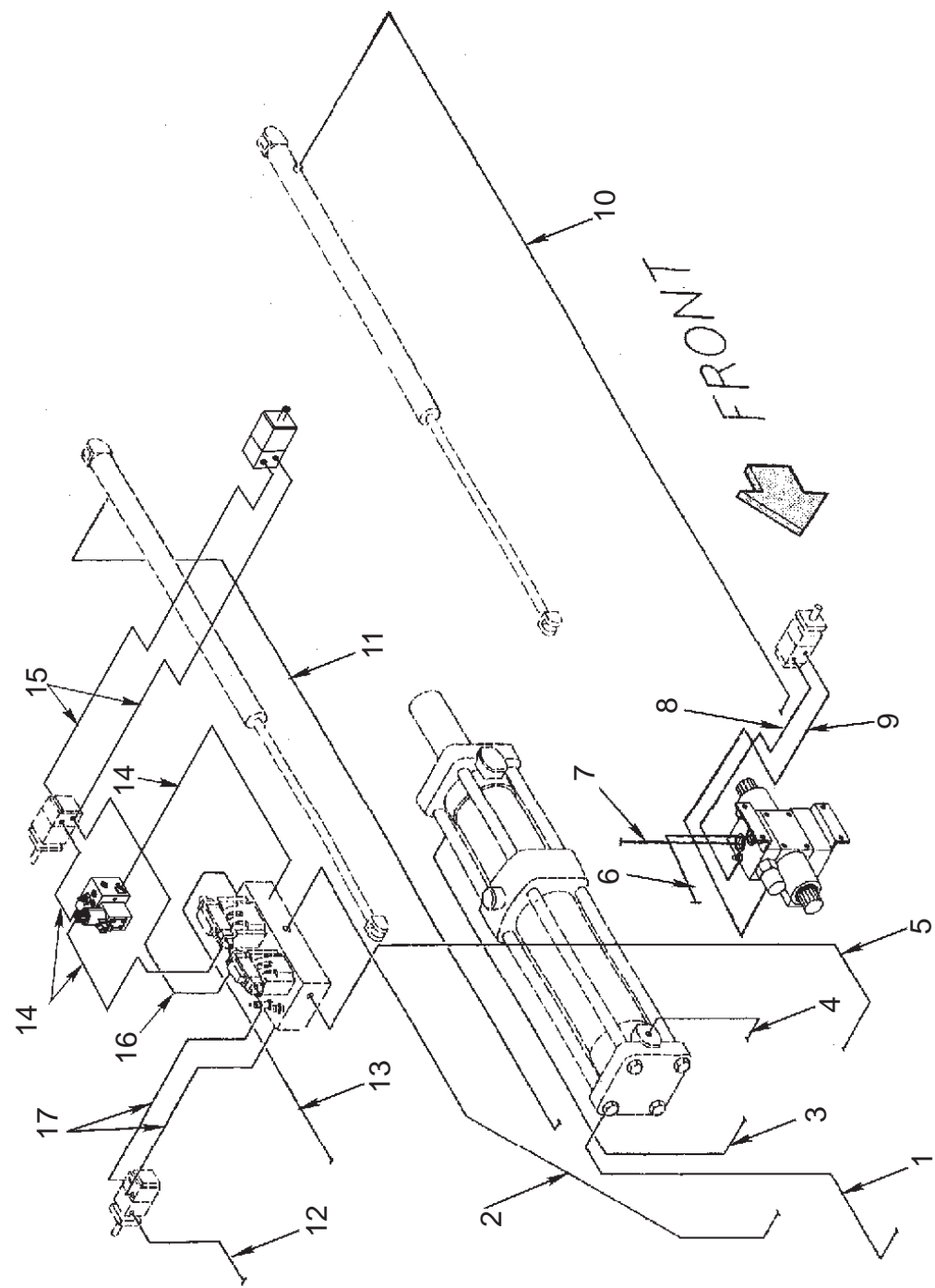




## KNOTTER AND FEED FORK MANIFOLD VALVE/HOSE ASSEMBLIES

REF NO.	PART NO.	DESCRIPTION	QTY. USED	REF NO.	PART NO.	DESCRIPTION	QTY. USED
1	VLV1730401	VALVE-KNOTTER/FEED COMPLETE	1	19	HYD5015062	CONN. 12F JIC X 4M JIC STR	1
	904682	SEAL KIT	1	20	HYD5129020	CAP 1/4 JIC	1
2	VLV0000416	VALVE-RESERVOIR	2	21	HYD5315043	CONN. 1/2 JIC X 3/8 O-RING STR THD	1
3	COI0035G12	SOLENOID COIL 12 VDC	4	22	HOS0016624	HOSE-VALVE MANIFOLD PILOT	1
	KIT046J515	SEAL KIT F/VLV046J515	1	23	HOS0023438	HOSE-FEED FORK MOTOR	2
	VLV046J515	VALVE	2	24	HOS037354A	KNOTTER SLOWDOWN KIT HOSE	3
4	SPG0011549	RETURN SPRING	4	25	209959	HOSE-FEED KNOTER MANIFOLD RTRN	1
5	VLV0000026	RELIEF VALVE CARTRIDGE	3	26	KIT0000017	O-RING SEAL KIT F/VLV0017304	1
6	KIT0991010	SEAL KIT F/VLV0000026	3	27	KIT0000010	SEAL KIT F/VLV0000416	2
7	VLV1592CBG	COUNTER BALANCE VALVE	1	28	SCC0030015	BOLT	2
8	VLV1592CBE	COUNTER BALANCE VALVE	1		WLK0000375	WASHER	2
9	KIT0000013	SEAL KIT F/VLV1592CBG	1	29	SCC0030016	BOLT	1
10	SEL0002006	SEAL KIT F/VLV1592CBE	1		WLK0000375	WASHER	1
11	CNR0000194	3/8 TO 1/2 CONNECTOR	2	30	SCS0000107	BOLT	4
12	HYD7237060	HEX HD PLUG 3/4 O-RING PLTD	1		WAS0000025	WASHER	4
13	HYD7237040	HEX HD PLUG 1/2 O-RING PLTD	4	31	SCS0000307	BOLT	8
14	HYD7237030	HEX HD PLUG 3/8 O-RING PLTD	5		WAS0000107	WASHER	3
15	HYD7237050	HEX HD PLUG 5/8 O-RING PLTD	2		WLK0000375	WASHER	5
16	HYD5515060	ELBOW 3/4 JIC X 3/4 O-RING 90 DEG	3	32	VLV0017304	FEEDER VALVE MANIFOLD BODY	1
17	HYD5365060	ELBOW 12M JIC X 12M ADJ 45 DEG	2	33	HOS037569A	KNOTTER RETURN HOSE	1
18	HYD5315060	CONN. 12M O-RING X 12M JIC STR	2	34	HOS0032166	FEEDER MANIFOLD PRESSURE HOSE	1

**PLUNGER, FEEDER AND KNOTTER HOSE ASSEMBLIES**

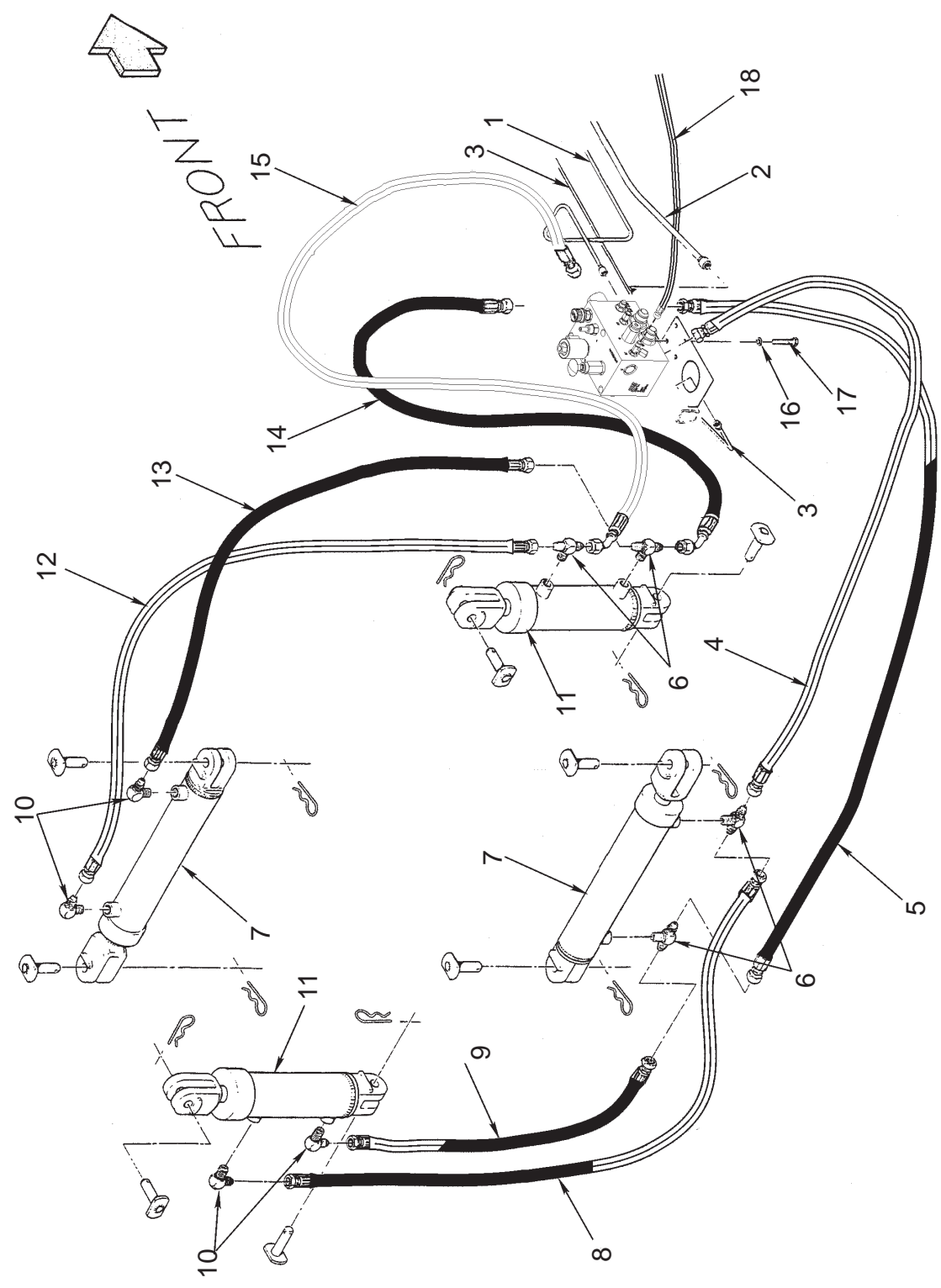


---

## PLUNGER, FEEDER AND KNOTTER HOSE ASSEMBLIES

REF NO.	PART NO.	DESCRIPTION	QTY. USED
1	HOS0015874	HOSE-PLUNGER CYLINDER	1
2	HOS0016624	HOSE-VALVE MANIFOLD PILOT	1
3	HOS0024889	HOSE-PLUNGER CYLINDER ROD END	1
4	HOS0024887	HOSE-PLUNGER CYLINDER	1
5	HOS0032166	HOSEFEEDER MANIFOLD PRESSURE	1
6	HOS0032167	HOSE-FEEDER VALVE SUPPLY	1
7	HOS0016649	HOSE-RETURN FEEDER VALVE	1
8	HOS036689A	HOSE FEEDER VLV TO FEEDER MOTOR	1
9	HOS036689A	HOSE FEEDER VLV TO FEEDER MOTOR	1
10	HOS0023451	HOSE-LH MAKE UP CYLINDER BASE	1
11	HOS0023452	HOSE-RH MAKE UP CYLINDER BASE	1
12	HOS0023455	HOSE-PRESSURE SWITCH	1
13	HOS036692A	HOSEKNOTTER MANIFOLD TANK PORT	1
14	HOS037354A	HOSE-KNOTTER SLOWDOWN KIT	3
15	HOS037017A	HOSE-KNOTTER MOTOR SECONDARY	2
16	HOS037569A	HOSE-KNOTTER RETURN	1
17	HOS0023438	HOSE-FEED FORK MOTOR	2
18	HOS036701A	HOSE TENSION PRESSURE GAUGE	1

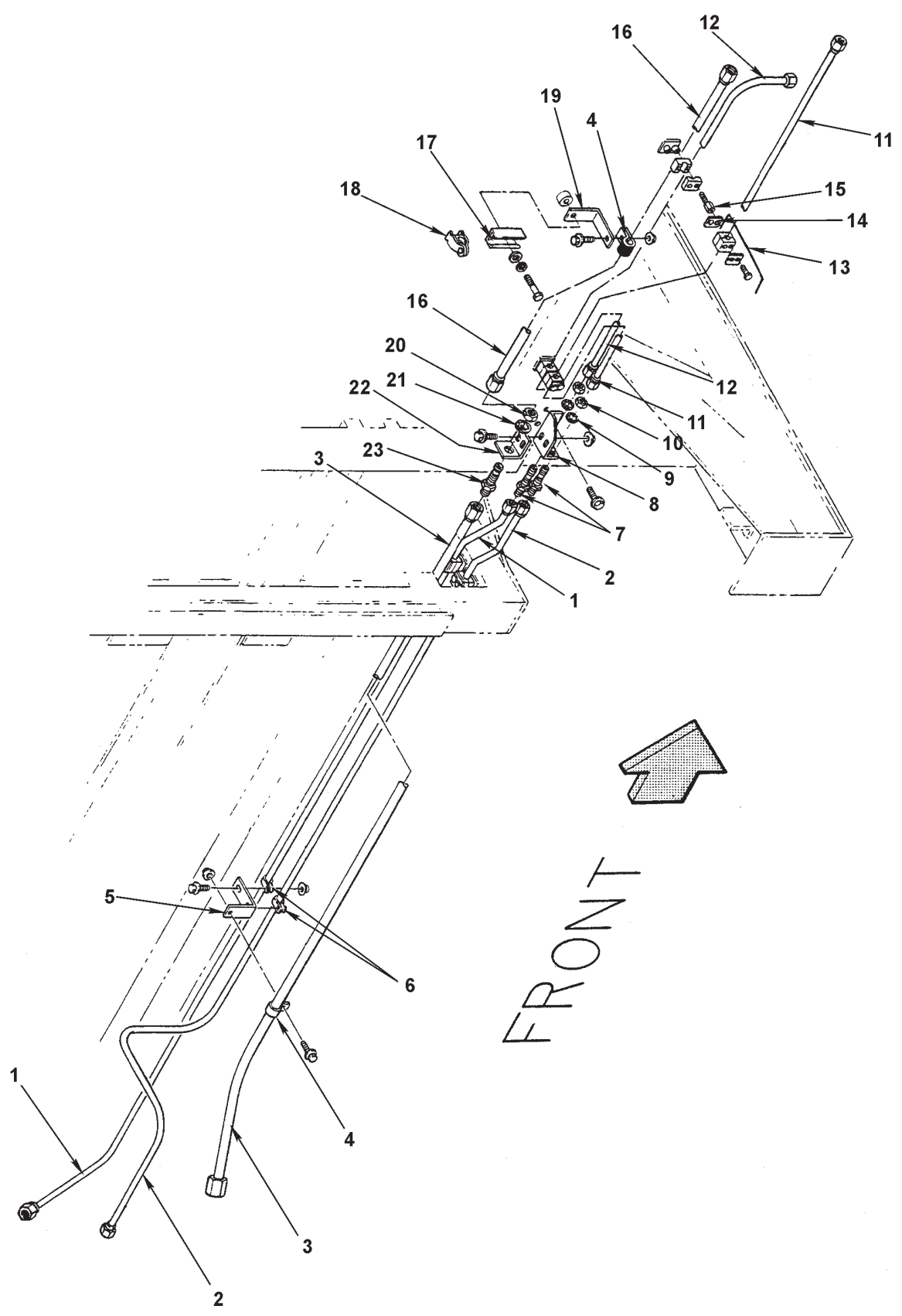
**TENSION CONTROL HOSE ASSEMBLIES**



## TENSION CONTROL HOSE ASSEMBLIES

REF NO.	PART NO.	DESCRIPTION	QTY. USED
1	HOS036700A	HOSE TENSION MANIFOLD SUPPLY	1
2	HOS036699A	HOSE TENSION MANIFOLD RETURN	1
3	HOS036698A	HOSE TENSION MAN TO RH CYL RET	1
4	28991	HOSE TENSION MAN TO BOT CYL. SUP	1
5	HOS036695A	TEN MANIFOLD TO BOT CYL.RET HOSE	1
6	209463	BRNCH TEE 3/4 M X 12M JIC X 12 M JIC	4
7	CYL0TC3516	CYLINDER TC	2
8	HOS0020947	HOSE-TC STYLE TENS CYL	1
9	HOS0020948	HOSE-TC STYLE TENS CYL	1
10	HYD5405060	3/4 JIC X 3/4 NPT M 90 ELBOW	4
11	CYL00TC408	CYLINDER TC 4 X 8 MODIFIED	2
12	HOS0015761	HOSE TENS CONTROL CYL	1
13	HOS0015762	HOSE TENS CONTROL CYL	1
14	238149	TEN MANIFOLD TO RH CYL RET HOSE	1
15	209959	TEN MANIFOLD TO RH CYL SUP HOSE	1
16	WLKM100120	WASHER	2
17	SCCM112065	BOLT	2
18	HOS036701A	HOSE TENSION PRESSURE GAUGE	1

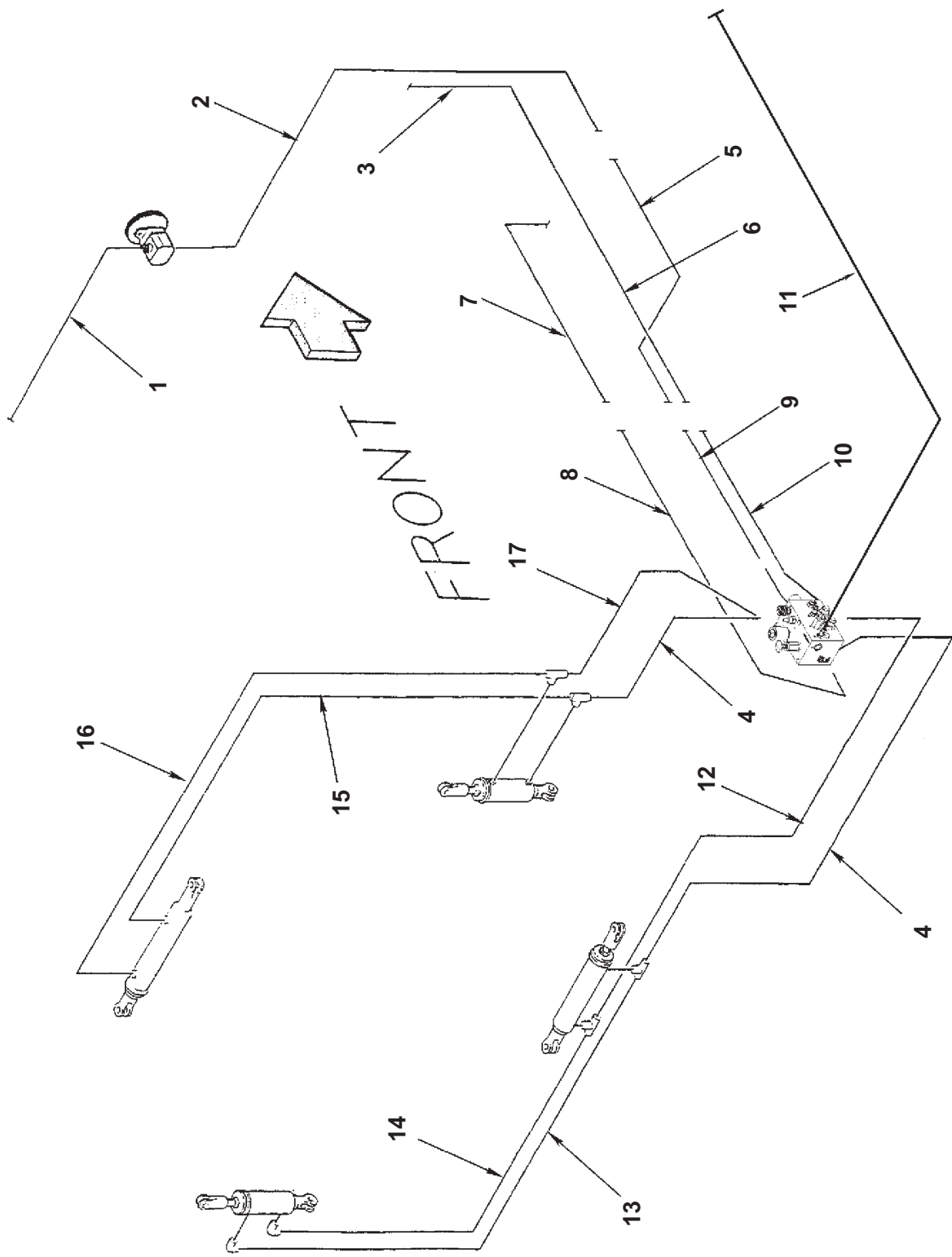
**TENSION CONTROL TUBE ASSEMBLIES**



## TENSION CONTROL TUBE ASSEMBLIES

REF NO.	PART NO.	DESCRIPTION	QTY. USED	REF NO.	PART NO.	DESCRIPTION	QTY. USED
1	HOS036698A	HOSE TENSION MAN PILOT PRESSURE	1	14	PLT10951SP	SAFETY PLATE	2
2	HOS036700A	HOSE TENSION MANIFOLD SUPPLY	1	15	SMS10951SP	BOLT STACK	4
3	HOS036699A	HOSE TENSION MANIFOLD RETURN	1	16	TBE0023717	TUBE-FRONT TENSION RETURN	1
4	CLP7701158	HOSE CLAMP	2	17	MNT0020255	UNISTRUT CHANNEL	1
	SMS0000172	BOLT	2		WCT0000375	WASHER	1
	NMS0000250	NUT	2		WLK0000375	WASHER	1
5	BKT0031949	TENSION RETURN TUBE ANCHOR BKT	1		SCC0030002	BOLT	1
	SMS0000172	BOLT	1	18	CLP0100150	1-1/2 HYDRA ZORB CLAMP	1
	NMS0000250	NUT	1	19	BKT0031949	TENSION RETURN TUBE ANCHOR BKT	1
6	CLP7701154	INSULATED HOSE CLAMP	2		SMS0000184	BOLT	1
7	HYD5325030	BULKHEAD UNION 3/8 JIC	2		NMS0000117	NUT	1
8	BKT0018160	BULKHEAD BRACKET 3/8	2	20	HYD5924050	NUT	1
	SMS0000184	BOLT	2	21	WIS0007500	WASHER	1
9	WIS0005625	WASHER	2	22	BKT0018013	BULKHEAD BRACKET 5/8 TUBE	1
10	HYD5924030	NUT	2		SMS0000184	BOLT	2
11	TBE0023718	TUBE-FRONT TENSION PRESSURE	1		NMS0000117	NUT	2
12	TBE0023719	TUBE-FRONT TENSION PILOT	1	23	HYD5325050	BULKHEAD UNION 5/8 JIC	1
13	CLP0010951	CLAMP	6				
	SCC0010003	BOLT	8				

**TENSION SYSTEM HOSE ASSEMBLIES**



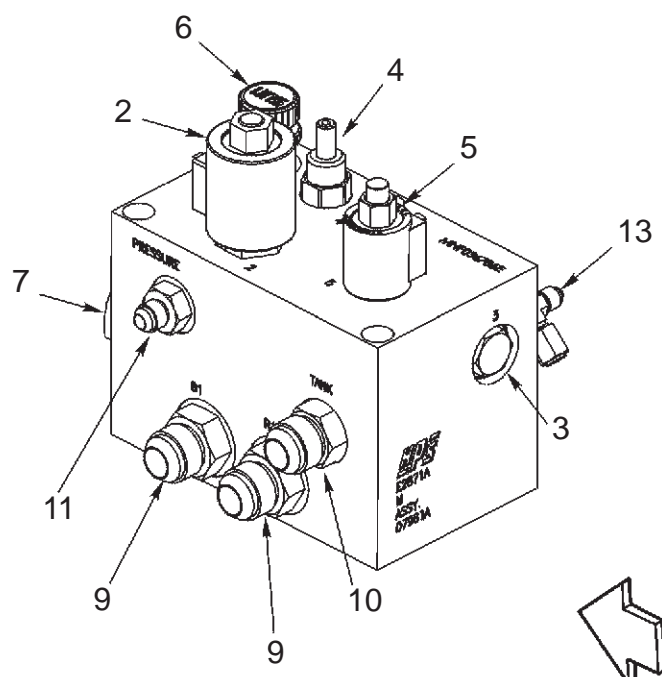
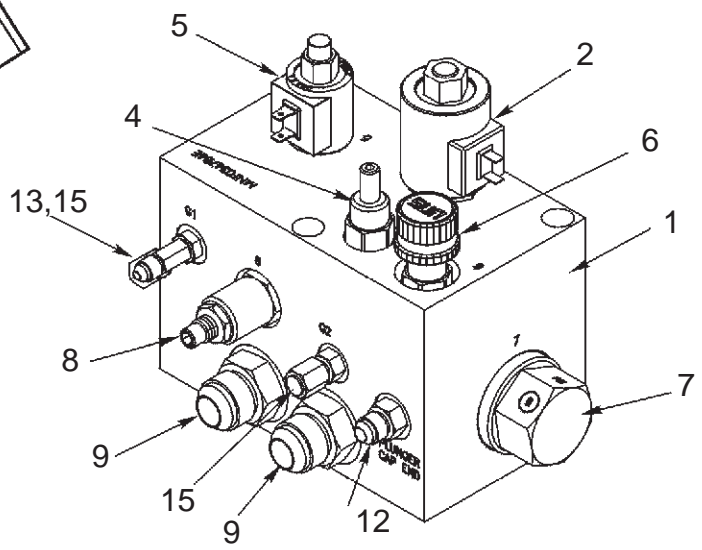


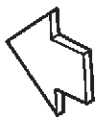
## TENSION SYSTEM HOSE ASSEMBLIES

REF NO.	PART NO.	DESCRIPTION	QTY. USED
1	HOS0023494	HOSE-TENSION PUMP SUCTION	1
2	HOS036690A	HOSE TENSION PUMP	1
3	HOS0025038	HOSE-TENSION REGULATOR TO TANK	1
4	28991	TEN MANIFOLD TO RH CYL RET HOSE	2
5	TBE0023718	TUBE-FRONT TENSION PRESSURE	1
6	TBE0023717	TUBE-FRONT TENSION RETURN	1
7	TBE0023719	TUBE-FRONT TENSION PILOT	1
8	HOS036698A	TEN MANIFOLD TO RH CYL RET HOSE	1
9	HOS036700A	TENSION MANIFOLD SUPPLY HOSE	1
10	HOS036699A	TENSION MANIFOLD RETURN HOSE	1
11	HOS036701A	TEN PRESSURE GAUGE HOSE	1
12	HOS036695A	TEN MANIFOLD TO BOT CYL.RET HOSE	1
13	HOS0020947	HOSE-TC STYLE TENS CYL	1
14	HOS0020948	HOSE-TC STYLE TENS CYL	1
15	HOS0015762	HOSE TENS CONTROL CYL	1
16	HOS0015761	HOSE TENS CONTROL CYL	1
17	HOS036697A	TEN MANIFOLD TO RH CYL SUP HOSE	1

**UNLOADER VALVE COMPONENTS**

FRONT 

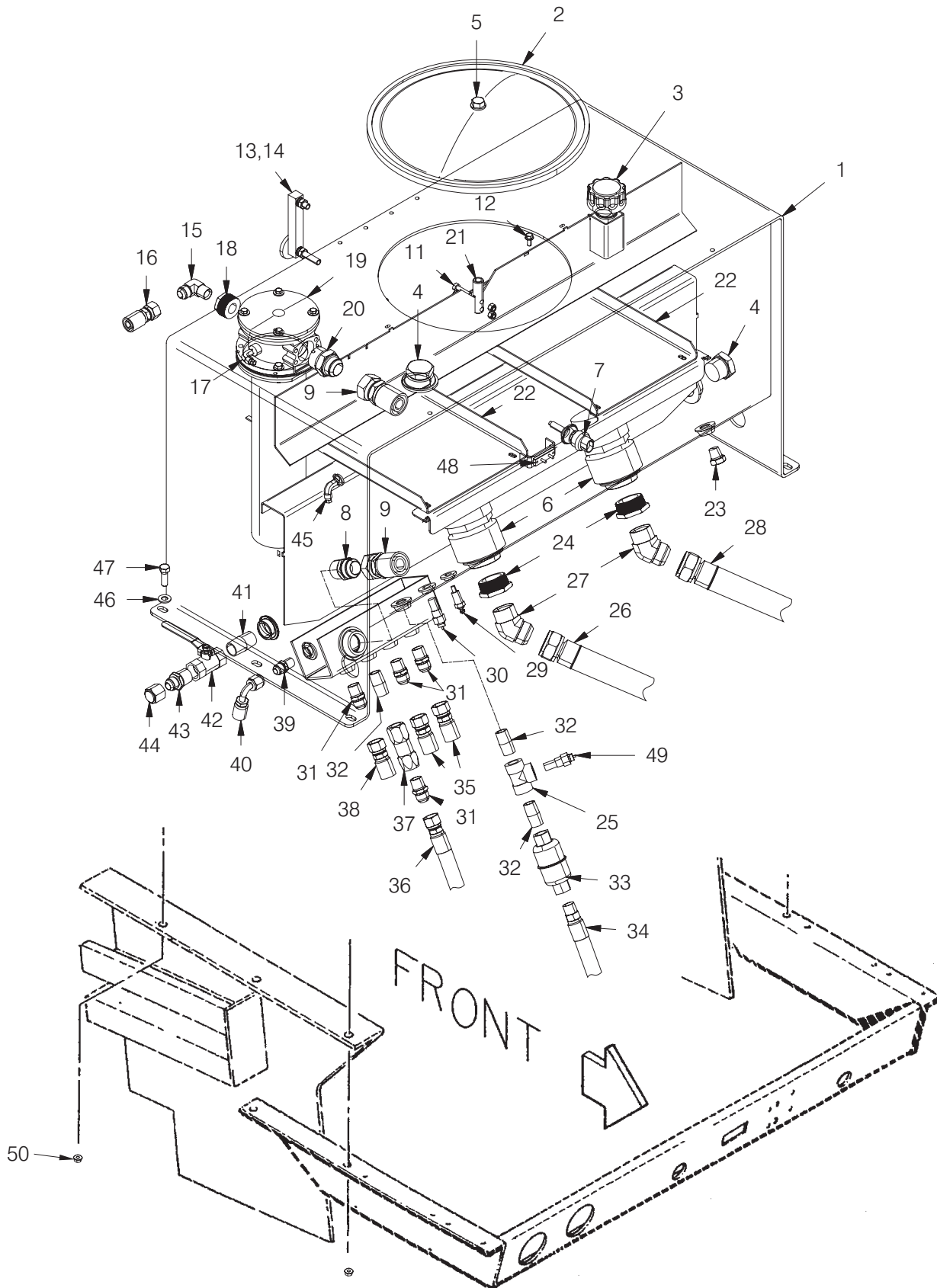


 FRONT

## UNLOADER VALVE COMPONENTS

REF NO.	PART NO.	DESCRIPTION	QTY. USED
	MNF036786E	TENSION CONTROL MANIFOLD ASSY	
1	MNF036773D	TENSION VALVE MANIFOLD	1
2	VLV0000049	SPOOL VALVE, 2 WAY,NO,10 VDC	1
	VLV0000053	SPOOL VALVE CARTRIDGE	
	COI6351010	SOLENOID VALVE COIL, 10 VDC	
	SEL0000049	SEAL KIT FOR VLV000049	
3	VLV0000051	CHECK VALVE CARTRIDGE, 5 PSI	1
	SEL0000051	SEAL KIT FOR VLV0000051	
4	VLV0000044	DIRECTIONAL VALVE F/ MNF036773D	1
	SEL0000044	SEAL KIT FOR VLV0000044	
5	VLV0000063	TENSION CONTROL VALVE	1
	VLV0000064	TENSION VALVE CARTRIDGE	
	COI0000002	SOLENOID VALVE COIL, 12DC	
	SEL0000063	SEAL KIT F/VLV0000063	
6	VLV0000045	DIRECTIONAL VALVE, NC	1
	VLV0000056	DIRECTIONAL VALVE CARTRIDGE, NC	
	VLV0000055	VALVE ADJUSTING KNOB KIT	
	SEL0000045	SEAL KIT FOR VLV0000045	
7	VLV0000015	1592 TENSION CAVITY PLUG	1
	SEL0000028	SEAL KIT FOR VLV0000015	
8	VLV0000059	RELIEF VALVE	1
	SEL0000059	SEAL KIT FOR VLV0000059	
9	HYD5315060	3/4 JIC X 3/4 O-RING ST THD CONN	4
10	HYD5315065	3/4 JIC X 5/8 O-RING ST THD CONN	1
11	HYD5315034	3/8 JIC X 1/2 O-RING STR THREAD CONN	1
12	HYD5315033	3/8 JIC X 3/8 O-RING ST THD CONN	1
13	HYD5716020	1/4 TUBE 1/4 O-RING RUN TEE	1
14	HYD5315020	STR. THD. CONN., -4 ORING X -4 JIC	1
15	HYD5129020	1/4" JIC CAP	1

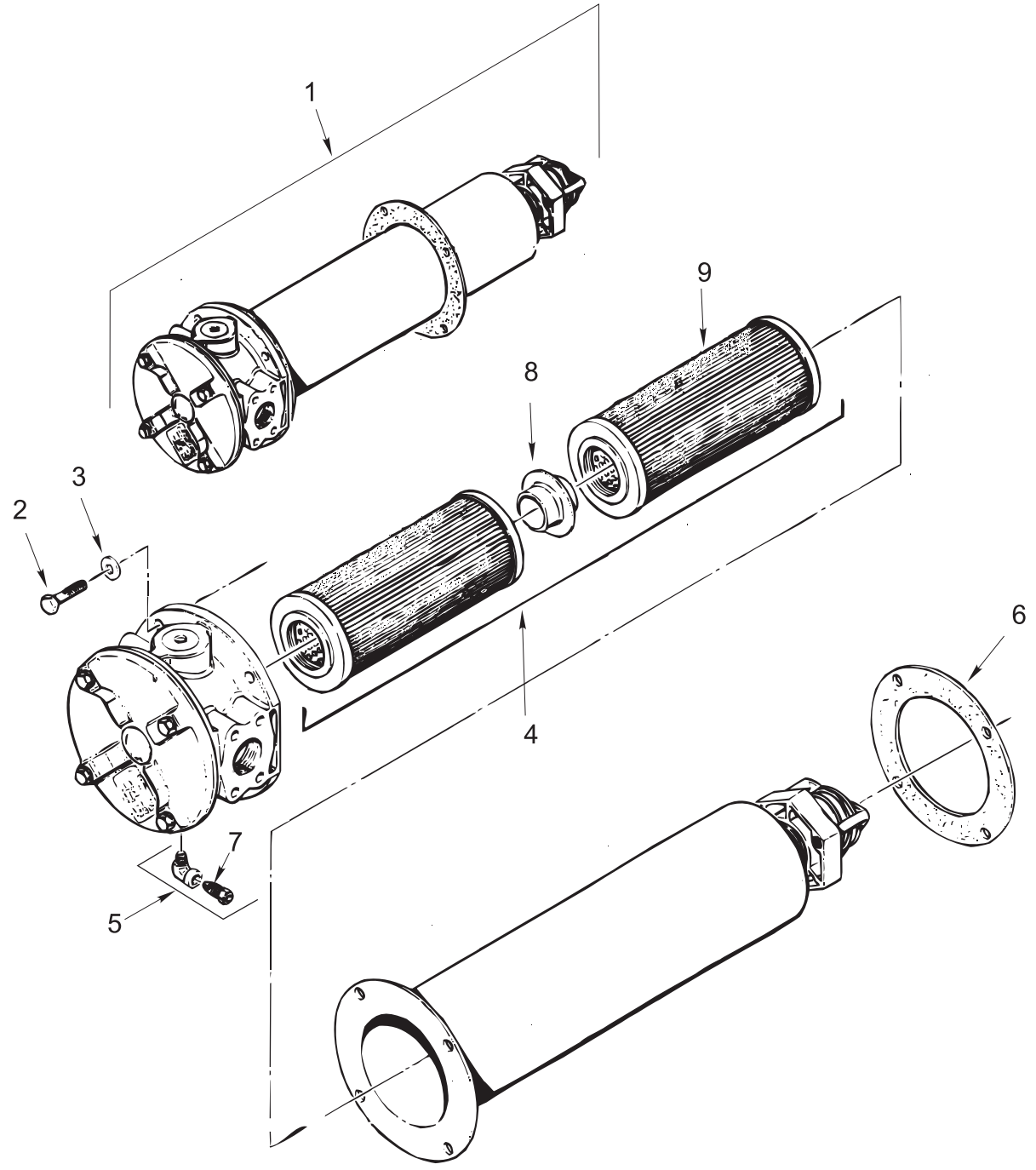
**RESERVOIR ASSEMBLY**



## RESERVOIR ASSEMBLY

REF NO.	PART NO.	DESCRIPTION	QTY. USED	REF NO.	PART NO.	DESCRIPTION	QTY. USED
1	TNK037723E	TANK, HYDRAULIC OIL	1	25	HYD3709060	3/4 STEEL FEMALE PIPE TEE	1
2	CVR0000001	HYD TANK CLEAN-OUT COVER	1	26	HOS0035162	COMMERCIAL PUMP SUCTION HOSE	1
3	FIL1731101	BREATHER FILTER, HYD TANK	1	27	HYD5355121	1-1/2JIC X 1-1/2NPT 45*	2
4	HYD3159022	PIPE PLUG 1-1/2 HEX STEEL	2	28	HOS0023488	HOSE, SUND. PUMP SUCTION	1
5	SCC0070012	CAPSCREW	1	29	ELC0000334	SENDING UNIT- HYD TEMP	1
6	SCR3001592	SCREEN 3" SUCTION	2	30	THM0714326	220F TEMP WIRING HARNESS	1
7	SWI0000824	SWITCH - LIQUID LEVEL	1	31	HYD5205060	CONN. 3/4 JIC X 3/4 NPT M	4
8	HYD5205100	CONN 1-1/4 JIC 1-1/4 NPT M	1	32	PPE0000750	3/4 CLOSE NIPPLE BLACK STEEL	2
9	HOS036702A	RETURN FILTER TO RET MANIFD HOSE	1	33	FIL0000003	FILTER-SUCTION F/1592 TNS PUMP	1
10	SCC0030004	CAPSCREW	2	34	HOS0023494	HOSE TENSION PUMP SUCTION	4
11	NCE0000375	NUT	2	35	229543	HOSE-RT PUMP CASE DRAIN-CHK VLV	2
12	SMS0000184	BOLT	8	36	HOS036693A	OIL COOLER BYPASS HOSE	1
	NCE0003125	NUT	8	37	VLV0075005	CHECK VALVE	1
13	GAG0064051	GAUGE-THERMOMETER SIGHT	1	38	HOS0023435	FEED KNOTTER MANIFOLD RETN HSE	1
14	HYD7629040	O-RING	2	39	HYD5205054	5/8 JIC X 1/2 NPT MALE CONN	1
15	HYD5405060	3/4 JIC X 3/4 NPT 90° MALE ELB	2	40	HOS0025038	HOS-TENSION REGULATOR TO TANK	1
16	HOS036692A	HOSE KNOTTER MANIFOLD TANK	1	41	PPE0001000	1" CLOSE NIPPLE BLACK STEEL	1
17	F 0001441	CONN 1/8NPT M X 1/4 ELBOW W/NUT	2	42	VLV0006001	VALVE 1" BALL BRASS	1
18	HYD3109096	1-1/2 X 3/4 STEEL PIPE BUSHING	3	43	F000006675	3/4" JIC TO 1" ST FITTING	1
19	FIL0001592	FILTER	1	44	HYD5129060	SENDING UNIT- HYD TEMP	1
20	HYD5205120	1-1/4 JIC X 1-1/2 NPT CONNECT	1	45	F000001441	CONN 1/8 NPT M X 1/4 ELBOW W/NUT	6
21	DPT0004000	BAFFLE ADAPTER F/WE4A	1	46	NCH00000500	NUT	6
22	BAF037731D	BAFFEL	2	47	HOS0016649	HOSE-RETUN FEEDER VALVE	1
23	HYD3159060	PIPE PLUG 3/4 HEX STEEL	1	48	TEB0472102	2 POST TERMINAL BLOCK	1
24	PPE2001500	BUSH	2	49	THM001592D	THERMOSTAT, PROBE TYPE-1592D	1
				50	NMS0000252	NUT	4

**MAIN SYSTEM HYDRAULIC FILTER COMPONENTS**

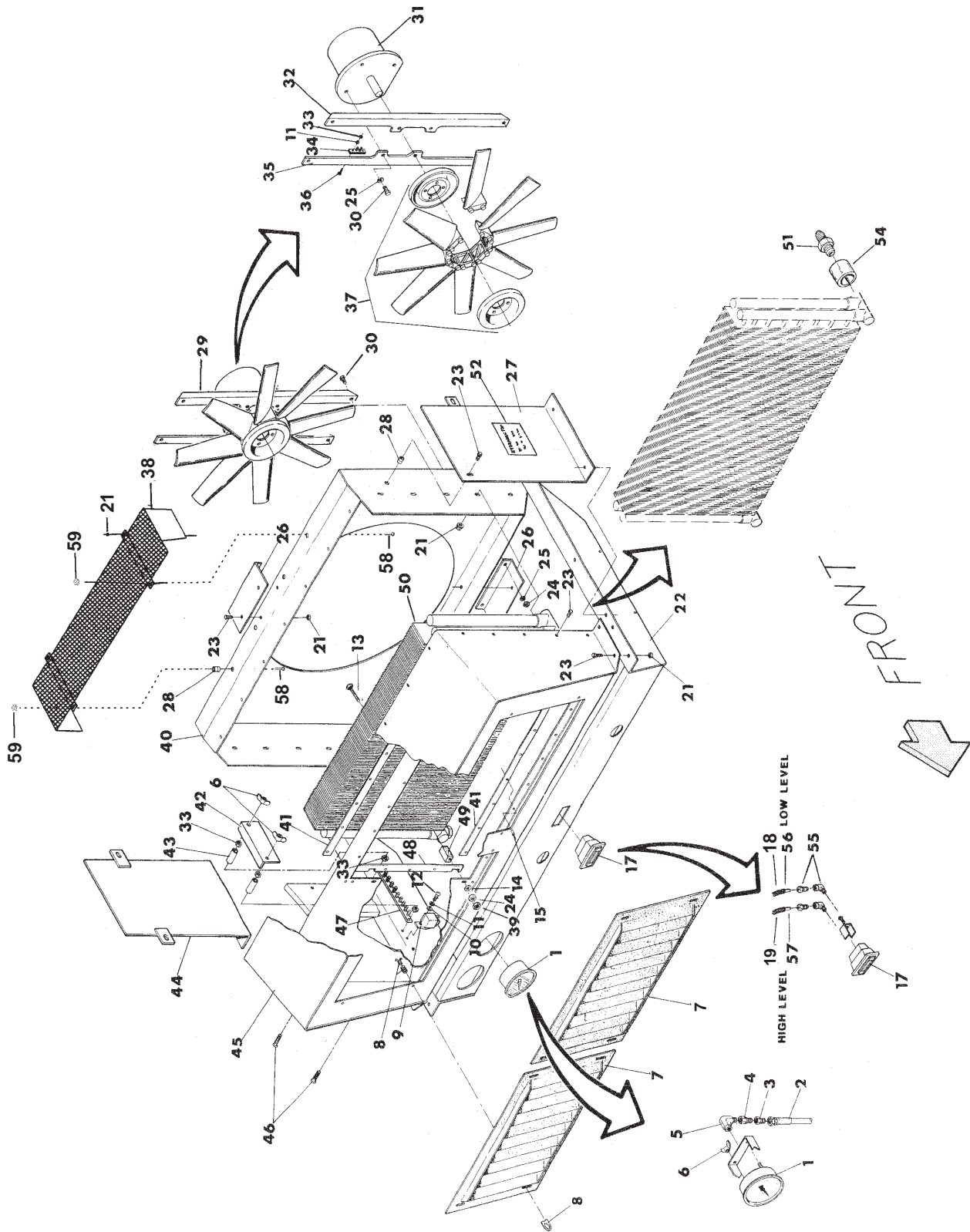


---

## MAIN SYSTEM HYDRAULIC FILTER COMPONENTS

REF NO.	PART NO.	DESCRIPTION	QTY. USED
1	FIL0001592	FILTER - MAIN SYSTEM HYDRAULIC (INC 4 & 6)	
2	SCC0030004	BOLT	4
3	WAS0093781	THREAD SEALING WASHER	4
4	KIT003000	ELEMENT KIT (2 ELEMENT AND CONN)	1
5	F 0001441	CONN. 1/8 NPT M X 1/4 ELBOW W/NUT	1
6	GSK0000RG4	GASKET - FILTER HOUSING	1
7	F000008312	1/4 SLEEVE F/F1441	1
8	CNR0001997	CONNECTOR F/ FIL3000	1
9	FIL0003000	ELEMENT F/1592 MAIN HYD FILTER	2

**OIL COOLING SYSTEMS AND GAUGE PANEL ASSEMBLIES**

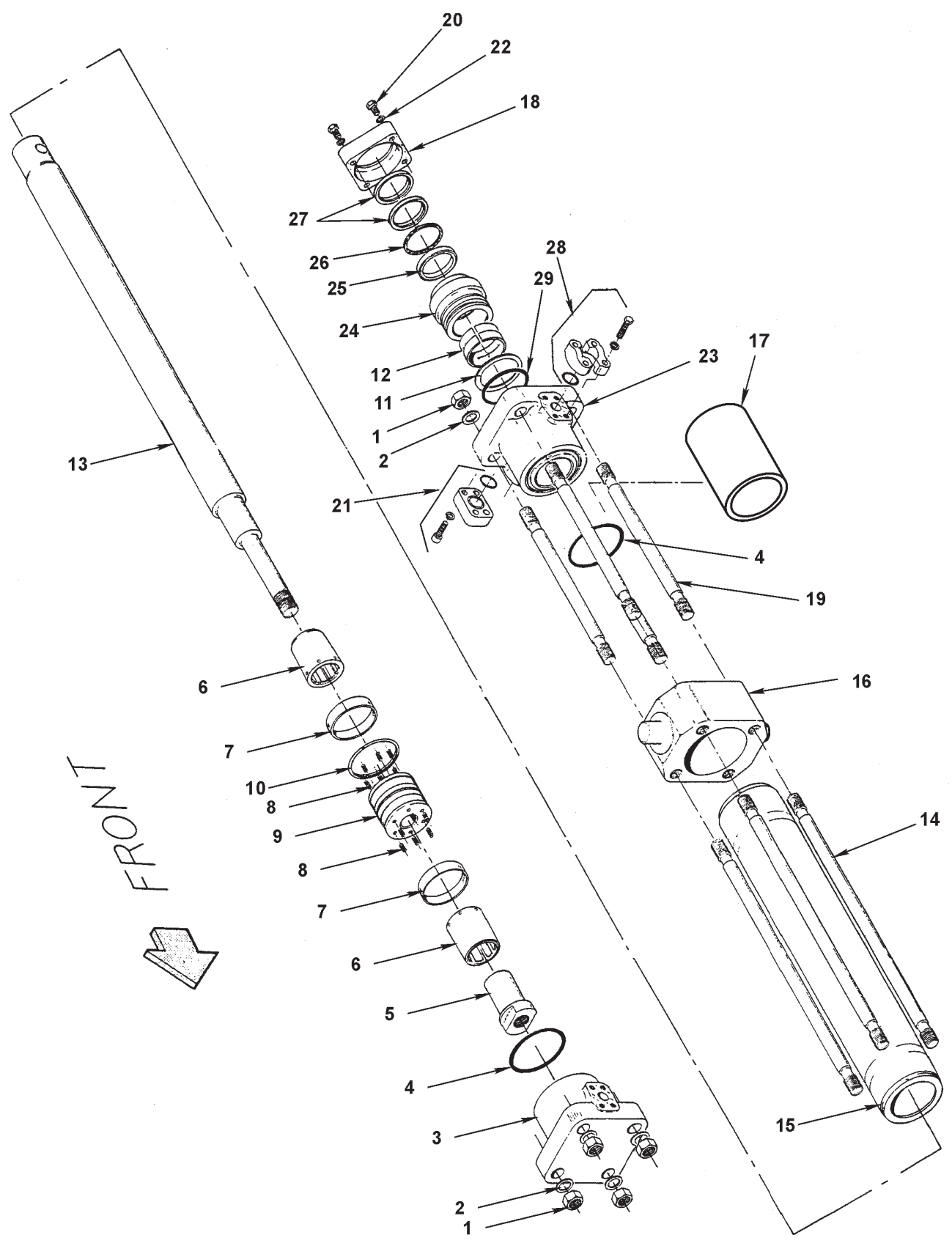




## OIL COOLING SYSTEMS AND GAUGE PANEL ASSEMBLIES

REF NO.	PART NO.	DESCRIPTION	QTY. USED	REF NO.	PART NO.	DESCRIPTION	QTY. USED
1	GAG2335010	GAUGE LIQ FILL HYD 10000 PSI 4"	1		SUP0233770	LEFT OIL COOLER FAN MTR MOUNT	
2	HOS0022137	10M PRESSURE GUAGE HOSE	1	33	NFH0001032	NUT	6
3	HYD5255022	FITTING 1/4F X 1/4M JIC SOLID STR	1	34	TEB0472102	2 POST TERMINAL BLOCK	1
4	HYD0010000	PULSATION DAMPENER	1	35	SUP0233771	RIGHT OIL COOLER FAN MTR MOUNT	1
5	HYD3409020	STREET ELBOW 1/4 X 90	1	36	SMR1032750	SCREW	2
6	CLP0411001	NUT U-CLIP	4	37	FAN5000212	BLADE ASSY - COOLER FAN 21"	1
7	GRL0023379	OIL COOLER GRILL	2	38	GRD0023386	GUARD - FAN OIL COOLER	1
8	FST0010401	MED DUTY FLDING HANDLE FASTNER	8	39	NCE0000313	NUT	4
9	REL0000332	RELAY SPDT	1	40	SHR0023371	OIL COOLER FAN SHROUD	1
10	WCT0000100	WASHER	1	41	SPC0017429	SPACER - HEAT EXCHANGER	2
11	WLK0000100	WASHER	6	42	SHD0020822	SHIELD-10 POST JUNC. BLOCK	1
12	SMR1032050	SCREW	2	43	11-262	1" SPACER F/JUNC BLOCK	2
13	CRB3130225	BOLT	4	44	SHD0023375	RIGHT FAN SHIELD	1
14	WCT0000313	WASHER	4	45	SHR0023365	OIL COOLER SHIELD	1
15	RIV0000604	POP RIVET	26	46	SMR1032175	SCREW	3
17	HYD0162037	INDICATOR - REMOTE HYDRAULIC	1	47	TEB0472110	10 POST TERMINAL BLOCK	1
18	AO00000313	5/16" FABRIC WIRE LOOM 70" PC	1	48	SPC0023370	SPACER-HEAT EXCHANGER	2
19	AO00000313	5/16" FABRIC WIRE LOOM 58" PC	1	49	CLR0002094	MOUNTING BLOCK - OIL COOLER	4
20	GAG0082115	OIL TEMP GAUGE S/W82-115	1	50	CLR21133S1	OIL COOLER	1
21	NMS0000117	NUT	27	51	F000006675	12M JIC X 1M ST ADAPTER	2
22	MNT0023349	OIL COOLER MOUNT	1	52	FD00018808	HYD FLUID DECAL	1
23	SMS0000184	BOLT	27	54	STO0025075	OIL COOLER/FAN SHROUD AIR STOP	2
24	NCH0000313	NUT	8	55	F000001441	ELBOW	1
25	WLK0000313	WASHER	8	56	F000007400	TUBING 72"	1
26	MNT0020946	OIL COOLER FAN MOUNT	2	57	F000007400	TUBING 60"	1"
27	SHD0023373	LEFT FAN SHIELD	1	58	SMS0000177	BOLT	4
28	ZZ00000500	NUTSERT	5	59	NMS0000117	NUT	2
29	FAN5002147	FAN & MOTOR ASSY F/OIL COOLER	1				
30	SCC0020001	BOLT	8				
31	MTR5000211	FAN MOTOR ONLY	1				
32	SUP0233771	RIGHT OIL COOLER FAN MTR MOUNT	1				

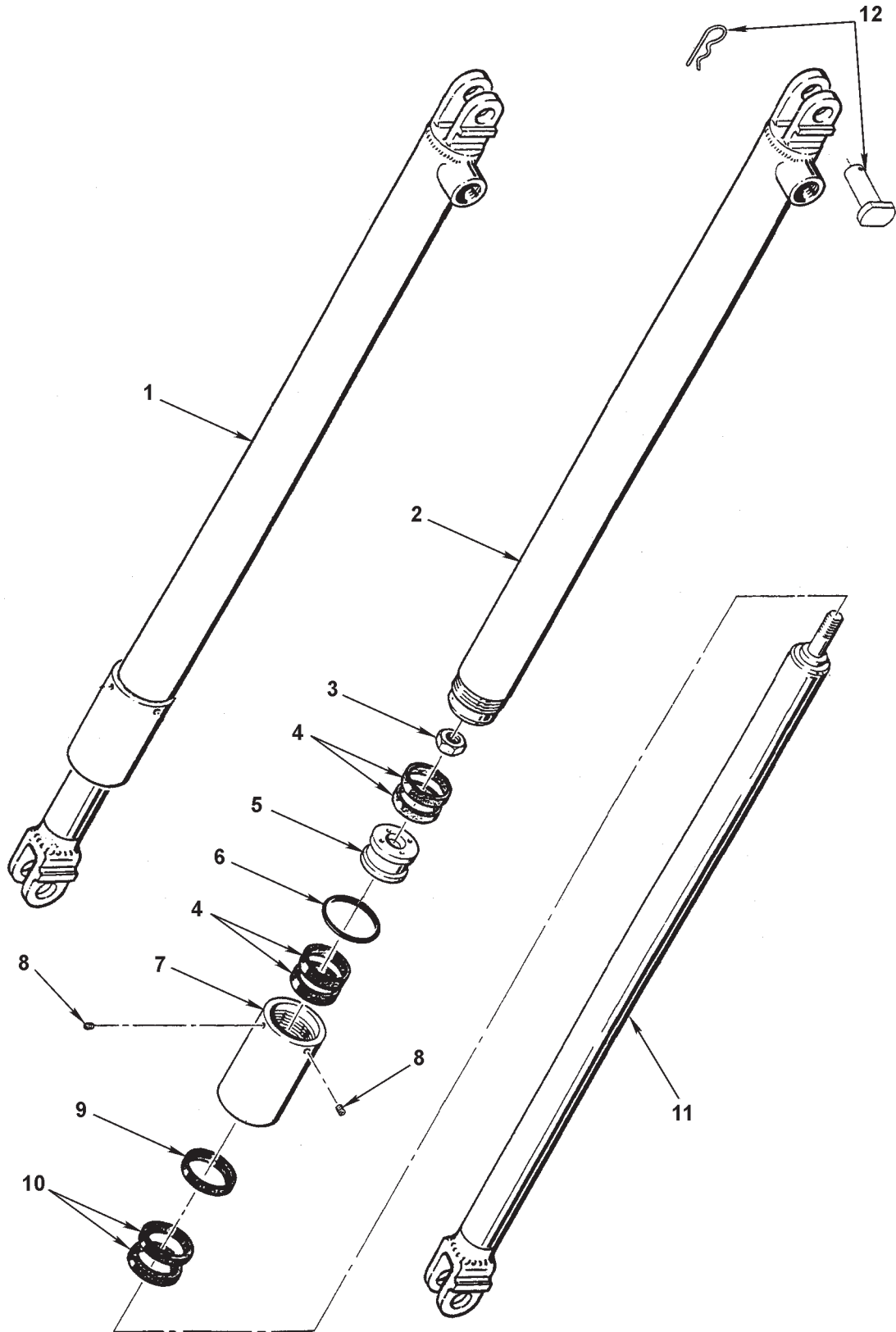
**PLUNGER CYLINDER COMPONENTS**



## PLUNGER CYLINDER COMPONENTS

REF NO.	PART NO.	DESCRIPTION	QTY. USED	REF NO.	PART NO.	DESCRIPTION	QTY. USED
1	NFH0012600	1-1/4 NF NUT HEX GRD 8	8	20	SCC0050008	BOLT	4
2	WAS0028076	HARDENED WASHER	8	21	FLG0001660	1" CODE 62 BLIND FLANGE	1
3	CYL0023692	PLUNGER CYLINDER BASE	1		SCC0040005	BOLT	4
4	258383	O-RING, URETHANE	2		WLK0004375	WASHER	4
5	CYL0023699	PLUNGER CYLINDER ROD NUT	1		RNG0002219	O-RING VITON 90 DURO	1
6	CYL0023695	PLUNGER CYLINDER CUSHION	2	22	WAS0000104	WASHER	4
7	255833	WEAR BAND	2	23	CYL0023690	PLUNGER CYLINDER HEAD	1
8	SPG0023737	PLUNGER CYLINDER SPRING	12	24	CYL0023697	PLUNGER CYL ROD PACK GLAND	1
9	CYL0023694	PLUNGER CYLINDER PISTON	1	25	258489	ROD SEAL, URETHANE	1
10	RNG0004914	PISTON RING	1	26	FLT3125350	FELT RING	1
11	258387	BACKUP RING, HYTREL	1	27	258386	PLUNGER CYLINDER ROD WIPER	2
12	BRG2752125	BEARING, ROD	2	28	FLG0001501	1" SPLIT FLNG W/BOLT KIT & O-RING	3
13	ROD0023698	PLUNGER CYLINDER ROD	1		SCC0040005	BOLT	12
14	CYL0017121	PLUNGER CYL BASE END TIE ROD	4		WLK0004375	WASHER	12
15	CYL0023700	PLUNGER CYLINDER BARREL	1		258382	O-RING URETHANE	3
16	CYL0023701	PLUNGER CYLINDER TRUNIION	1	29	RNG0023420	O-RING VITON	1
17	SPC0023696	PLUNGER CYL TRUNION SPACER	2		CYL036792E	PLUNGER CYLINDER ASSEMBLE (INC. 1-29)	
18	RET0023770	PLUNGER CYL GLAND RETAINER	1		CYL036796E	PLUNGER CYLINDER PISTON ROD ASSY (INC. 5,6,7,8,9,10,13)	
19	CYL0017120	PLUNGER CYL ROD END TIE ROD	4		CYL036795E	PLUNGER CYLINDER ROD GLAND ASSY SEAL KIT PLUNGER CYL (INC.4,7,10,11,12,25,26,27,29,(28 - 258382)	
					904736		

**MAKE-UP CYLINDER COMPONENTS**

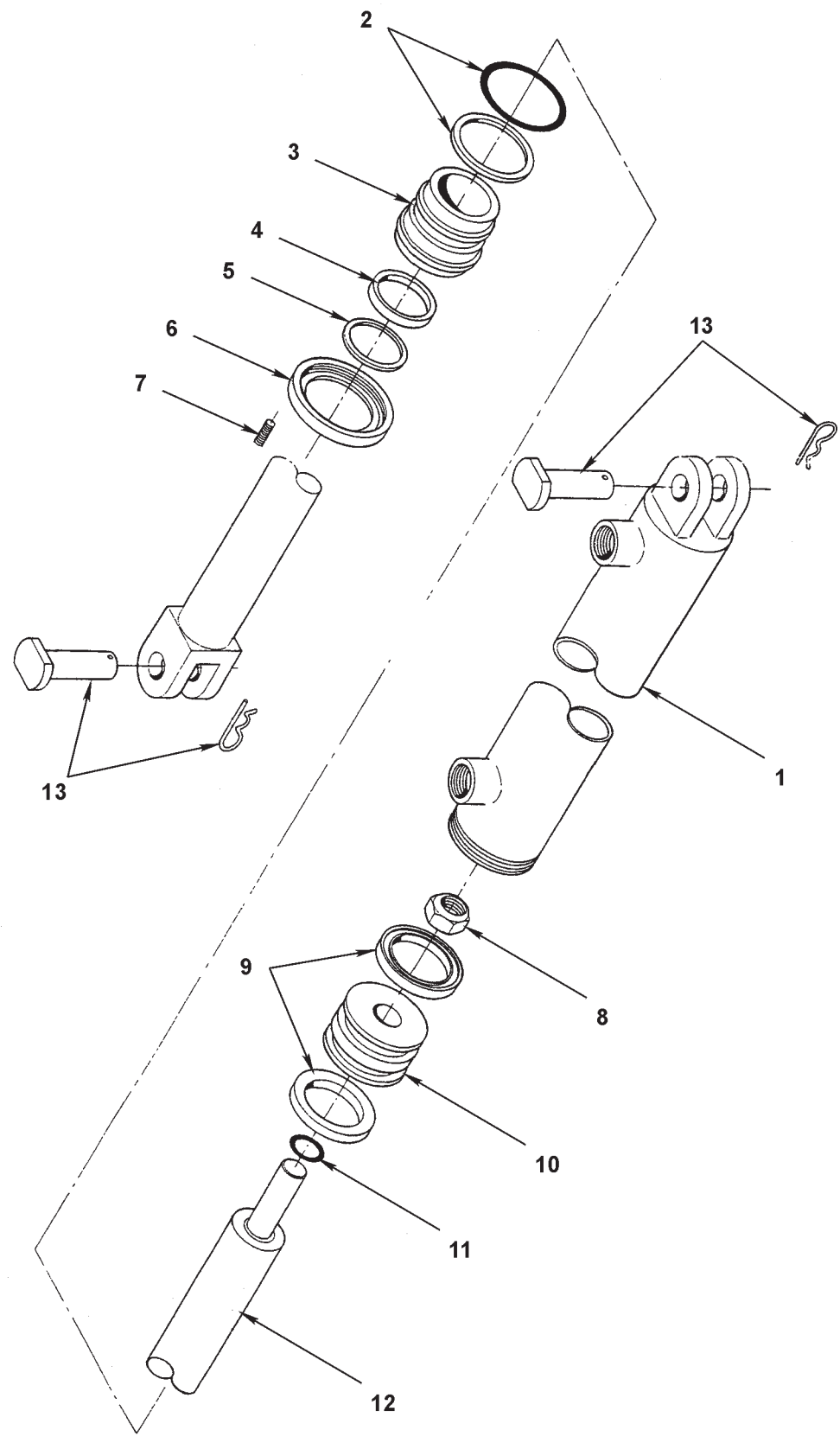


---

## MAKE-UP CYLINDER COMPONENTS

REF NO.	PART NO.	DESCRIPTION	QTY. USED
1	CYL0024785	MAKE-UP CYLINDER	2
2	CYL0024787	MAKE-UP CYLINDER BARREL	1
3	NFX0000750	DEFORMED HEAD NUT	1
4	RNG0030107	WEAR RING	4
5	CYL0024789	MAKE-UP CYLINDER PISTON	1
6	RNG0002230	WEAR RING	1
7	CYL0024790	MAKE-UP CYLINDER HEAD	1
8	STS2500250	SCREW	2
9	SEL0001143	ROD SEAL	1
10	WIP0110023	ROD WIPER	2
11	ROD0024786	MAKE-UP CYLINDER ROD	1
12	HYP FA22P	CLEVIS PIN W/COTTER PIN	1
13	SEL0024785	SEAL KIT FOR CYL0024785 (INC. REF #3,4,6,9,10)	A/R

**TOP AND BOTTOM TENSION CYLINDER COMPONENTS**

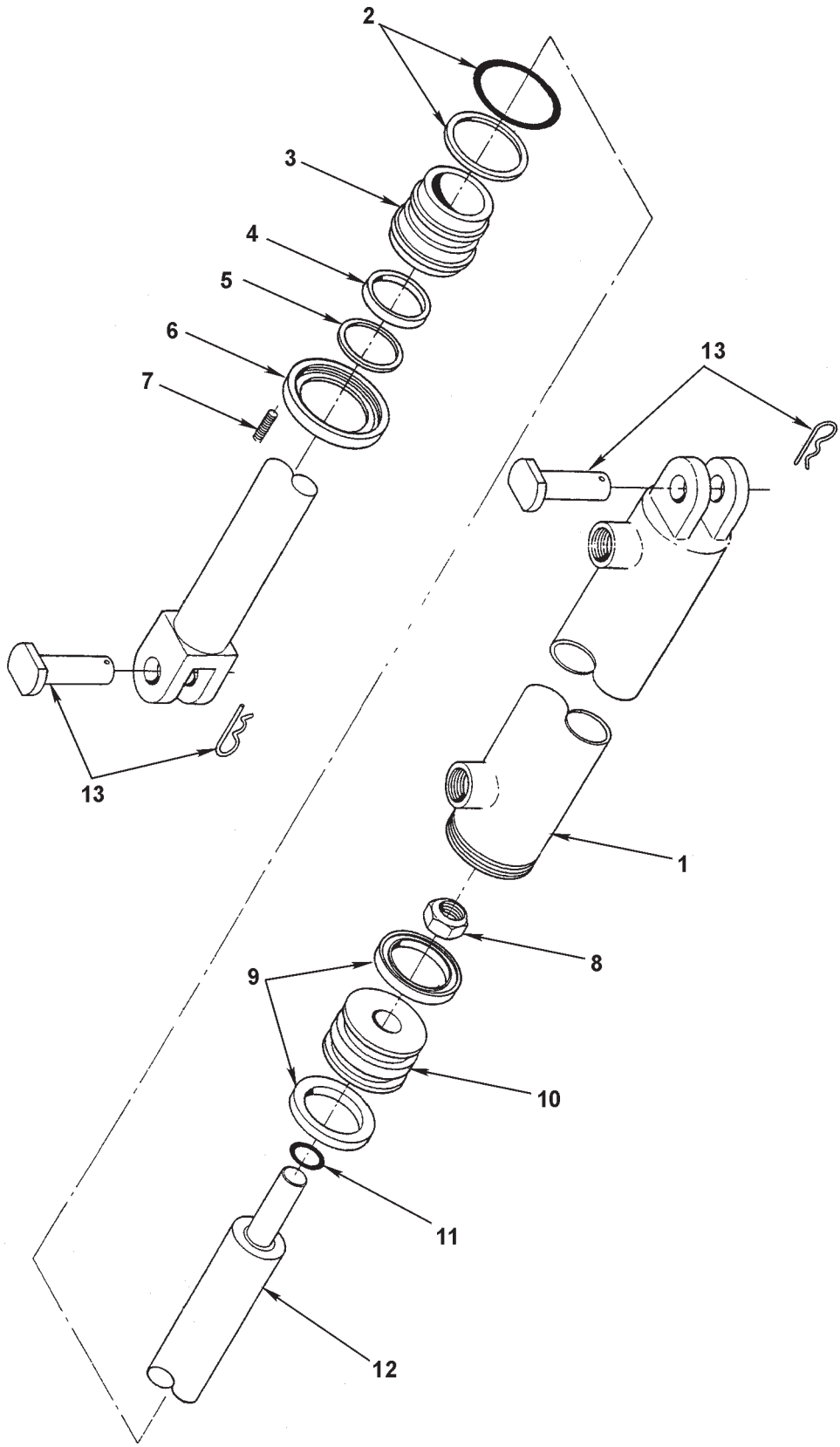


---

## TOP AND BOTTOM TENSION CYLINDER COMPONENTS

REF NO.	PART NO.	DESCRIPTION	QTY. USED
1	TC 000035C	TUBE ASSEMBLY	1
2	HYP TC350	HEAD O-RING ASSEMBLY	1
3	TC 000035E	HEAD	1
4	TC 00035US	SHAFT PACKING	1
5	TC 00035RW	ROD WIPER	1
6	HYP00035EC	THEADED END CAP	1
7	TC 00035SC	SET SCREW	1
8	HYP TC35N	PISTON LOCK NUT	1
9	TC 00035VP	PISTON PACKING	1
10	TC 000035V	PISTON	1
11	TC 00035SO	SMALL O-RING	1
12	TC 000035S	SHAFT ASSEMBLY	1
13	TC 000035P	CLEVIS PIN	1
	SELOT3516	SEAL KIT F/CYL0TC3516	A/R

**SIDE TENSION CYLINDER COMPONENTS**



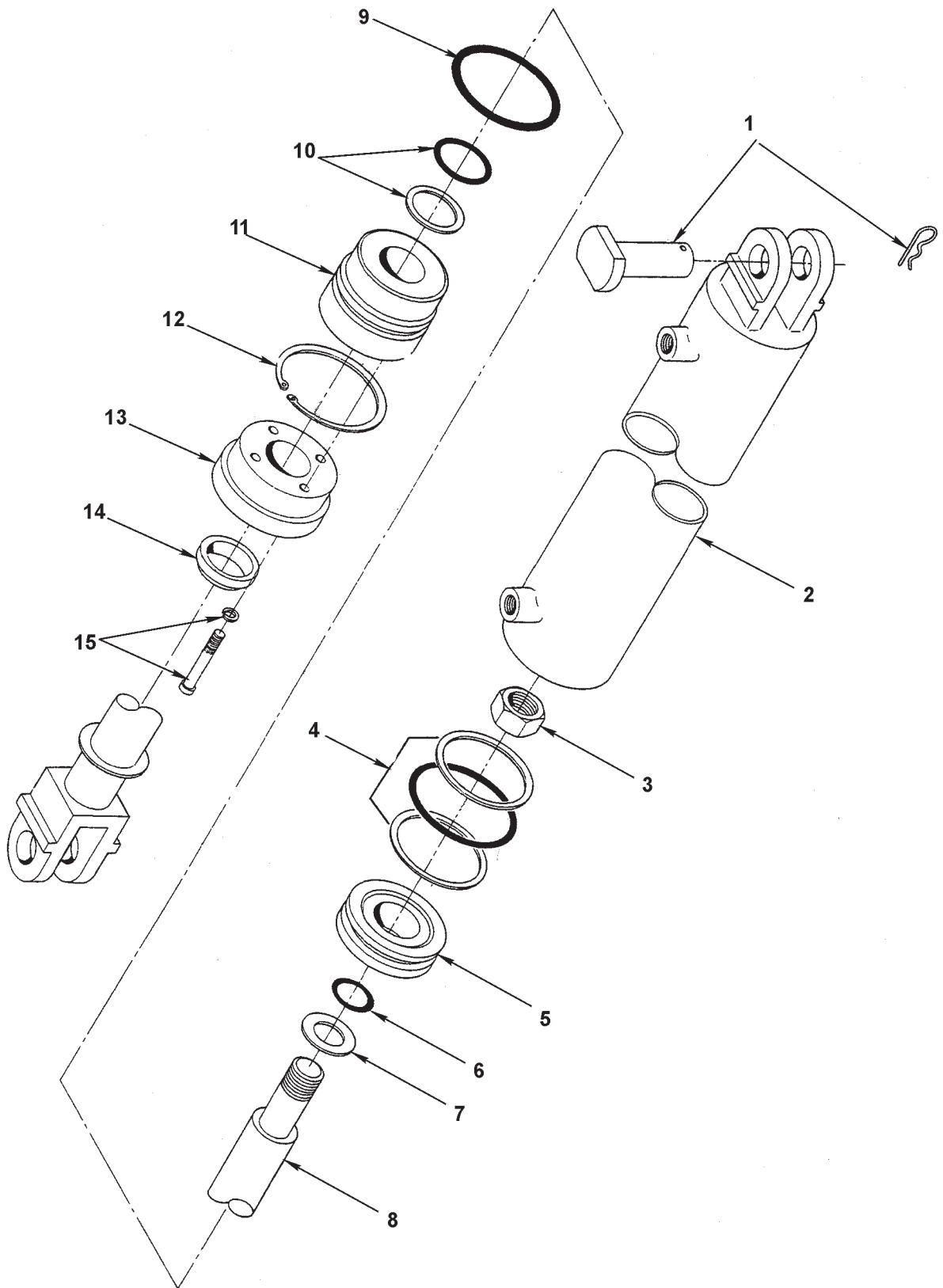


---

## SIDE TENSION CYLINDER COMPONENTS

REF NO.	PART NO.	DESCRIPTION	QTY. USED
1	TC 000004C	TUBE ASSEMBLY	1
2	TC 000004O	HEAD O-RING ASSEMBLY	1
3	TC 000004E	HEAD	1
4	TC 00004US	SHAFT PACKING	1
5	TC 00004RW	ROD WIPER	1
6	HYD00004EC	THREADED END CAP	1
7	TC 00004SC	SET SCREW	1
8	HYD000TC4N	PISTON LOCK NUT	1
9	TC 00004UP	PISTON PACKING ( SET)	1
10	TC 000004V	PISTON	1
11	TC 00004SO	SMALL O-RING	1
12	HYD000TC4S	SHAFT ASSEMBLY	1
13	HYP TC4P	CLEVIS PIN	2
	SEL0000KT4	SEAL KIT (INC. REF. 2,4,5,9 & 11)	A/R

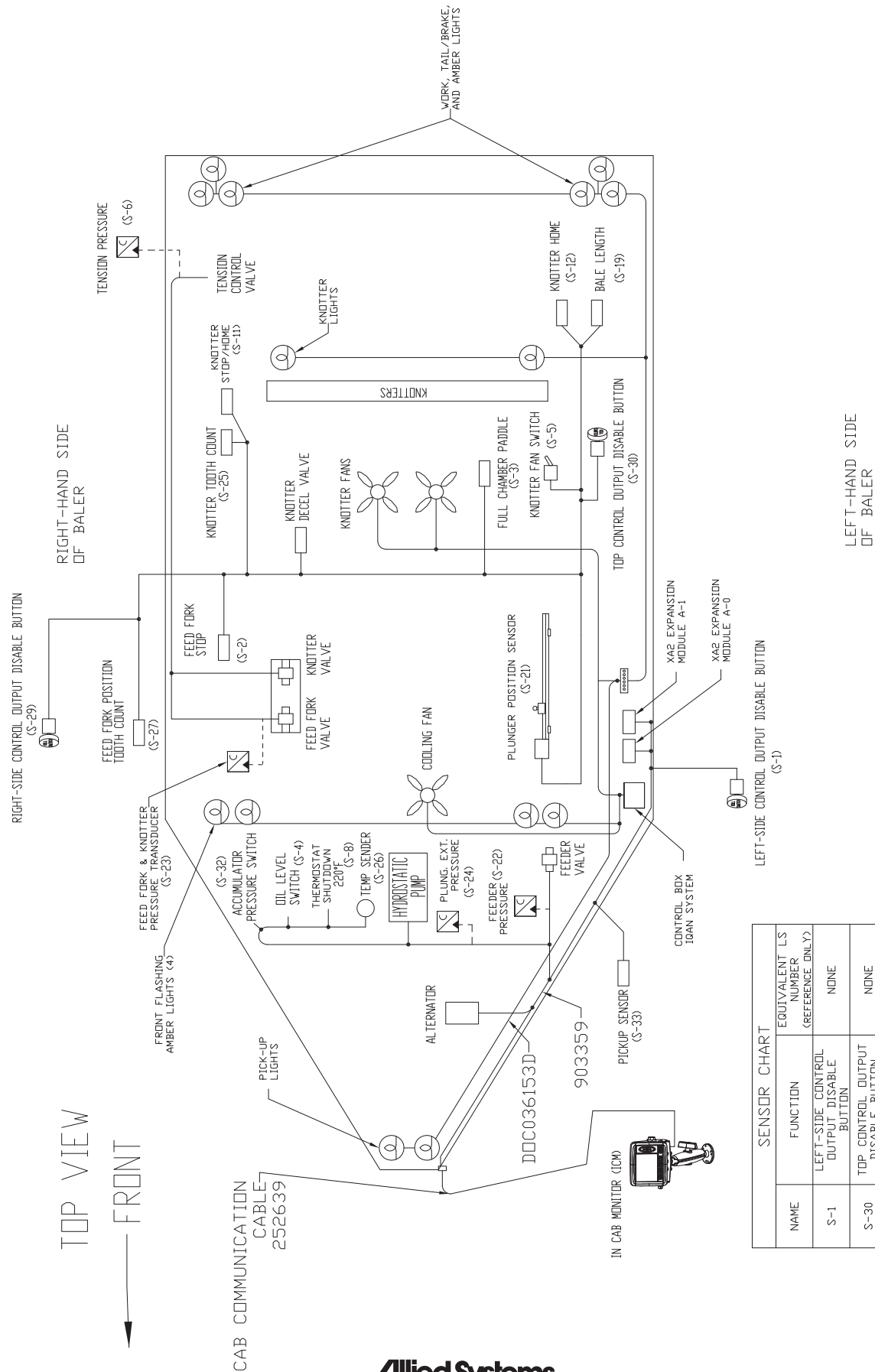
**PICKUP LIFT CYLINDER COMPONENTS**



## PICKUP LIFT CYLINDER COMPONENTS

REF NO.	PART NO.	DESCRIPTION	QTY. USED
1	HYP000FA2P	CLEVIS PIN	2
2	HYP0FA25-C	TUBE ASSEMBLY	1
3	HYP000FA2N	PISTON LOCK NUT	1
4	HYP00FA2PO	PISTON O-RING ASSEMBLY	1
5	HYP000FA2V	PISTON	1
6	HYP00FA2SO	SMALL O-RING	1
7	HYP000FA2M	STEEL WASHER	1
8	HYP0FA25-S	SHAFT ASSEMBLY	1
9	HYP000FA2O	O-RING	1
10	HYO00FA2US	SHAFT PACKING (SET)	1
11	HYP000FA2E	PISTON HEAD	1
12	HYP00FA2LR	HEAD LOCKING RING	1
13	HYP000FA2G	PACKING GLAND	1
14	HYP00FA2RW	ROD WIPER	1
15	SCS1024075	CAPSCREW	4
	HYP000FA2T	PACKING GLAND BOLT W/LKWSR	4
	SEL0001505	SEAL KIT F/CYL0000205	A/R
	CYL0000205	PICK-UP LIFT CYLINDER COMPLETE	

# WIRE HARNESS LOCATIONS



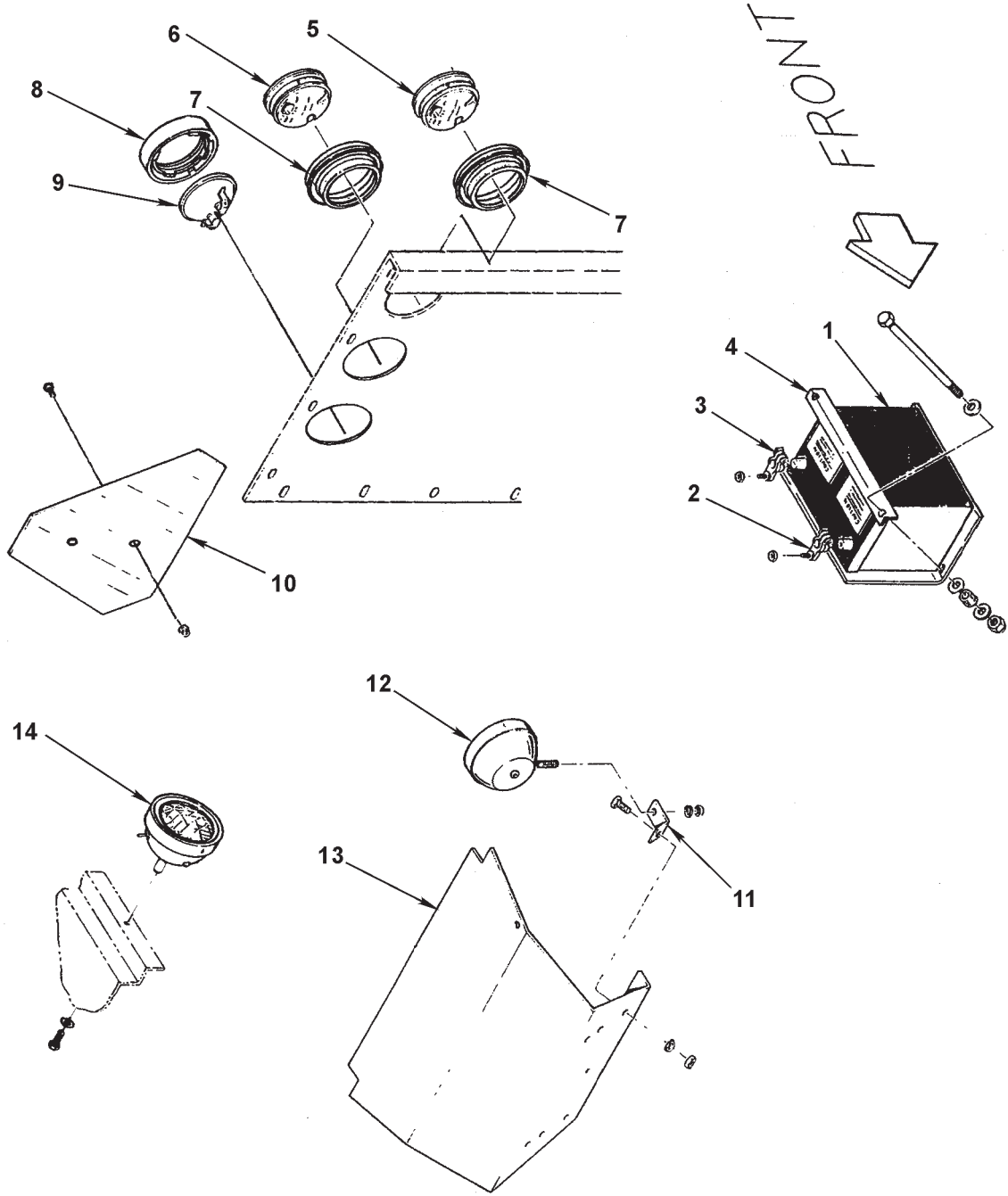
SENSOR CHART		EQUIVALENT LS NUMBER (REFERENCE ONLY)
NAME	FUNCTION	
S-1	LEFT-SIDE CONTROL OUTPUT DISABLE BUTTON	NONE
S-30	TOP CONTROL OUTPUT DISABLE BUTTON	NONE
S-29	RIGHT-SIDE CONTROL OUTPUT DISABLE BUTTON	NONE
S-5	KNOTTER FAN SWITCH	NONE
S-26	OIL TEMPERATURE	NONE

---

## WIRE HARNESS LOCATIONS

REF NO.	PART NO.	DESCRIPTION	QTY. USED	REF NO.	PART NO.	DESCRIPTION	QTY. USED
------------	-------------	-------------	--------------	------------	-------------	-------------	--------------

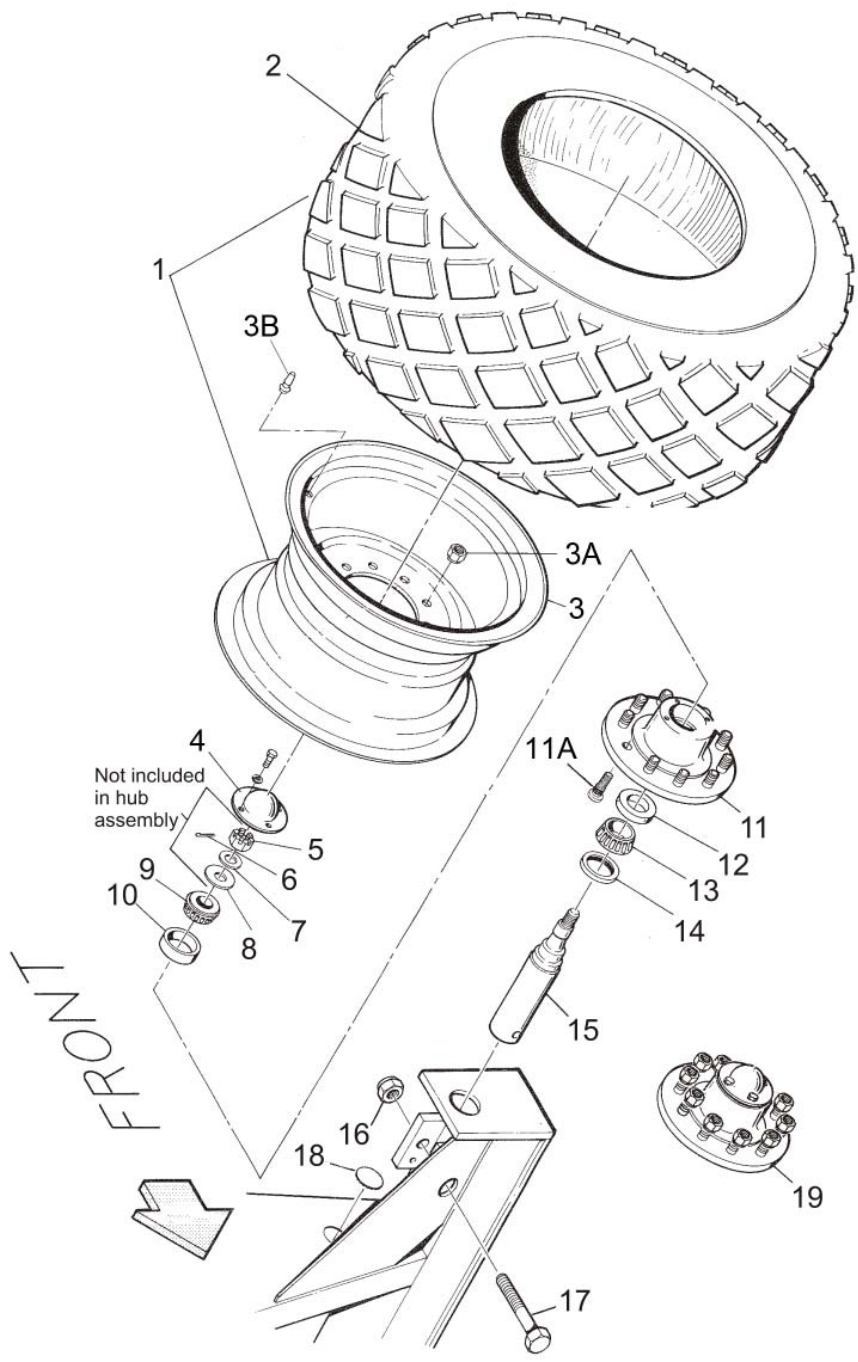
**BATTERY AND LIGHTS ASSEMBLY**



## BATTERY AND LIGHTS ASSEMBLY

REF NO.	PART NO.	DESCRIPTION	QTY. USED	REF NO.	PART NO.	DESCRIPTION	QTY. USED
1	BAT0240060	BATTERY-12V GROUP 24-DRY CHARG	1	9	LIT7072901	LIGHT SEALED BEAM 12 VOLT	2
	F 0006551	BOLT	2	10	SGN0024006	SIGN #2 SMV PLASTIC	1
	WCT0000375	WASHER	6		NMS0000117	NUT	1
	F 0006328	GROMMET-BATTERY HOLD DOWN	2		SMS0000177	BOLT	1
	NCE0000375	NUT NYLON INSERT PLTD	2	11	BKT0016005	FRONT WORK LIGHT BRACKET	2
2	BAT0000038	BATTERY TERMINAL -POS	1		SCC0050002	BOLT	2
	NCE0000313	NUT	1		NCH0000500	NUT	2
3	03-204	BATTERY TERMINAL - NEG	1		WLK0000500	WASHER	2
	NCE0000375	NUT NYLON INSERT PLTD	1	12	LIT0020171	WORK LIGHT ASSY HALOGEN 200/330	2
4	BKT0015916	BATTERY HOLD DOWN BRACKET	1		WLK0000500	WASHER	2
5	LIT1410112	LIGHT YELLOW 12 VOLT SEALED	4		NFH0000500	NUT	4
6	LIT1410122	LIGHT RED 12 VOLT SEALED	2	13	BKT0021619	MOUNT BRACKET AND SHIELD	1
7	GRM0127469	LIGHT GROMMET 12 VOLT SEALED	6	14	LIT0029888	KNOTTER WORK LIGHT	2
8	LIT7072902	PROTRUDING RING F/ LIT7072901	2		SCC0000313	BOLT	2
					WCT0000375	WASHER	2

**TIRE AND WHEEL ASSEMBLY**





## TIRE AND WHEEL ASSEMBLY

REF NO.	PART NO.	DESCRIPTION	QTY. USED
1	TIR000001	TIRE/WHEEL, WHITE	2
2	TIR2312610	TIRE-TITAN	2
3	WHL1029201	WHEEL - NO BRAKES -1592	2
	NMS0005708	SWIVEL FLANGE CAP NUT	20
	19-109	VALVE STEM	2
4	HUB0909915	HUB CAP	2
5	NSL0013750	SLOTTED NUT	2
6	COT0000807	COTTER PIN	2
7	WCT0137500	WASHER	2
8	ZZ 0000238	MACH. BSNG	2
9	BRG0000455	OUTER BEARING CONE	2
10	BRG0000453	BEARING CUP	2
11	HUB2871660	HUB W/INNER-OUTER BEARING-CAP	2
	STD9530331	WHEEL STUD	20
12	F 0007034	BEARING CUP	2
13	F 0007033	BEARING CONE	2
14	SEL0033772	GREASE SEAL	2
15	SPN0023108	WHEEL SPINDLE	2
16	NCE0012500	NUT	2
17	SCC0001322	BOLT	2
18	PLU0051056	2-1/4 CHROME BUTTON HEAD PLUG	2
19	HUB0001592	HUB ASSY, COMPLETE	2
20	NMS0005708	SWIVEL FLANGE CAP NUT-WHEEL	20

## PARTS INDEX

Part No.	Description	Page No.	Part No.	Description	Page No.
11079	ZERK	74	901589	PL,TOP	6
11079	FITTING, LUBE	76	901598	TOP,HAY DOG	8
14151	3/4 TO 1/4 JIC TUBE REDUCER	108	901599	CENTER REAR LINER	16
17951	NIPPLE 3/4 X 1/2 NPT STEEL HEX	108	901628	PL,SILAGE BLOCK	18
21205	NIPPLE 1 NPT X 3/4 NPT STEEL HEX	108	901629	PL,LH KNIFE	18
28991	HOSE TENSION MAN TO BOT CYLSUP	118	901633	PL,RH KNIFE	18
28991	TEN MANIFOLD TO RH CYL RET HOSE	122	901634	SHIM 18GA	6
204770	RING, SNAP	64	901637	SHIM 16GA	6
209083	CONN6M O-RING X 4M JIC STR	110	901638	SHIM 20GA	6
209089	3/4 JIC PLUG	108	901658	LH REAR LINER	16
209215	CONNO-RING STR THD	108	901659	P/UP IDLER SPROCKET SPACER	56
209215	3/4 JIC X 3/4 O-RNG ST THD CONN	108	901690	BASE WLDMT,SPROCKET	56
209463	BRNCH TEE 3/4 M X 12M JIC X 12 M JIC	118	901729	DOUBLE KNOTTER NEEDLE	74
209488	ELBOW 1/2 JIC X 1/2 O-RING 90 DEG.	108	901763	BAR,BOTTOM	6
209501	STEEL PIPE BUSHING	58	901764	BAR, TOP	6
209506	BUSHING 3/4 NPT X 1/2 NPT STEEL	108	901876	TINE ASSY,FEED FORK;*C; 1592D	64
209511	PIPE PLUG	92	902007	KNOTTER SLOWDOWN CAM	78
209755	MALE CONN	58	903200	TWINE FINGER	82
209805	CONN1/2 JIC X 1/2 O-RING STR THD	108	903516	PLATE, LEVER	82
209959	HOSE-FEED KNOTER MANIFOLD RTRN	114	903528	PLATE,COVER	82
209959	TEN MANIFOLD TO RH CYL SUP HOSE	118	903745	TAILLESS KNOTTER	82
212097	JIC CAP	108	903746	BRACKET,ANCHOR	82
212255	COTTER PIN PLATED	58	903756	BRACKET,CNTR FNT	82
212435	HOSE-LEFT MAKE UP CYLINDER 54"	108	903757	BRACKET,REAR	82
215515	CAP 1/2 JIC	108	903758	BRACKET	82
218584	REDUCER 1/2 JIC X 1/4 JIC	108	903759	BRACKET	82
219382	TAPE, SAFETY WALK 4 WIDE	30	903760	MOUNT, LH	82
229345	PLUG 1/2 O-RING HEX HD PLTD	108	903763	PLATE,RH MOUNTING	82
229543	HOSE-RETURN FEEDER VALVE	108	903764	TENSIONER ASSEMBLY	82
229543	HOSE-RT PUMP CASE DRAIN-CHK VLV	126	903766	SHAFT, LH	82
238149	TEN MANIFOLD TO RH CYL RET HOSE	118	903768	SHAFT, RH	82
238226	HOSE-CONTRVLV TO 10 PRES GAUGE	108	903771	BRACKET, STOP	82
241590	HOSE ASSY	108	903772	CAM WELDMENT	82
252630	JACK (INCLUDES HANDLE)	6	903774	SHAFT, KNOTER	82
253019	HANDLE FOR JACK	6	903775	PLATE WELDMENT, TOP	82
253271	SPIRAL PIN F/KNOTTER GEARS	80	903777	BOX ASSEMBLY, TWINE GUIDE	82
253391	SPROCKET IDLER	56	903781	MOUNTING WELDMENT	82
253863	CLEVIS PIN W/COTTER PIN	10	903786	TIP WELDMENT, NEEDLE	82
255675	KNOTTER, TAILLESS	82	903791	SPACER	82
255833	WEAR BAND	132	904192	CHAIN	56
256549	FOLLOWER, CAM	82	904193	CHAIN	56
256560	PIN, DOWEL	82	904338	KNOTTER CAM WELDMENT,RH	76
256808	BEARING, CENTER	82	904339	ROLLER, LATCH	76
257605	NEEDLE ROLLER	80	904389	BUSHING	76
257606	SHORT BILL HOOK PINION	80	904392	PLATE,LATCH ARM	76
257607	NEEDLE ROLLER SHIM	80	904393	SPACER	76
257608	NEEDLE ROLLER SHIM	80	904394	PLATE,MOUNTING	76
257609	NEEDLE ROLLER SHIM	80	904395	PLATE,CAM	76
257971	DOUBLE KNOTTER COMPLETE	80	904398	KNOTTER CAM WELDMENT,LH	76
258005	PUMP-SERIES 90	108	904399	LATE,CAM	76
258382	O-RING URETHANE	132	904503	LUG WELDMENT	76
258383	O-RING, URETHANE	132	904504	BOLT	76
258386	PLUNGER CYLINDER ROD WIPER	132	904505	PIN WELDMENT	76
258387	BACKUP RING, HYTREL	132	904509	EYEBOLT	76
258489	ROD SEAL, URETHANE	132	904682	SEAL KIT	114
259018	BELT, DRIVE, POWER BAND	46	904736	SEAL KIT PLUNGER CYL	132
900014	LH KNOTTER COVER SUPPORT	30	904738	SEAL KIT-PLUNGER CYLVALVE	110
900015	RH KNOTTER COVER SUPPORT	30	904790	LOCK PLATE WELDMENT,ROLLER	76
900072	SHAFT	20	904791	PIN ,LOCK	76
900179	SPRING,HAY DOG	8	904792	PLATE,ANCHOR	76
900329	HITCH	6	904823	CONNECTOR ASSEMBLY	14
900340	MOUNTING WLDMT	20	905339	NEEDLE, TAILLESS	74
900343	SPACER	20	905358	BRACKET, CYLINDER	14
900344	BAR,LINK	20	905359	BRACKET, CYLINDER	14
900380	ARM ,RH	64	905360	CYLINDER, ENCL SENSOR	14
900381	ARM ,LH	64	905668	TUBE, SPACER	14
900400	SCRAPER WLDMT;*A; 1592D AUGER	56	03-204	BATTERY TERMINAL - NEG	144
900912	TWINE FINGER SHEAR LEVER	100	04-105	06-130,INDEX TRIP,RETURN	98
901520	FRAME ASSY;1592 DBL KNOTTER	6	06-125	CLEVIS	50
901555	LINK FEED FORK CRANK SHAFT	64	06-126	CLEVIS PIN	50
901560	MOUNTING WLDMT,FEED LINK	64	11-262	1" SPACER F/JUNC BLOCK	130
901570	MOUNTING WLDMT,CYL;*A; 1592D	10	19-109	VALVE STEM	146
901585	PL,LH GUIDE	64	ACM0800087	ACCUMULATOR 1 GAL CHARGED	108
901586	PL,RH GUIDE	64	ALT1002116	ALTERNATOR	46

## PARTS INDEX CONT.

Part No.	Description	Page No.	Part No.	Description	Page No.
ANC0016029	PICKUP LIFT SPRING ANCHOR	54	BOX0232371	RH TWINE BOX OPTDIVIDER	28
ANC0023322	LEFT FRONT SHIELD ANCHOR	26	BOX0507654	LH TWINE BOX BOTTOM	28
ANC0023403	RIGHT FRONT SHIELD ANCHOR	26	BOX0507655	RH TWINE BOX BOTTOM	28
ANC0023506	FRONT SHIELD ANCHOR	26	BRC0023404	RIGHT FRONT SHIELD BRACE	26
ANC037660B	FEED CHUTE LINER ANCHOR	66	BRC0025406	SERVICE LADDER BRACE-AFT/4-92	34
ANG0027391	PTO SHF CTR BRG MNT ANGLE	42	BRC0025407	SERVICE LADDER BRACE-AFT/4-92	34
AO00000313	5/16" FABRIC WIRE LOOM	130	BRC0233260	LHDOOR CENTER KNEE BRACE	22
ARM0015684	LIFT ARM F/PICKUP	54	BRC0233261	RHDOOR CENTER KNEE BRACE	22
ARM0022540	FEED SENSOR ARM ASSEMBLY	98	BRC0233300	LHREAR KNEE BRACE	22
ARM0023120	FEEDER CRANK ARM	62	BRC0233301	RHREAR KNEE BRACE	22
ARM0023168	FEEDER CRANK ARM	62	BRC0233310	LHFRONT KNEE BRACE	22
ARM0027984	ARM ,P/U LIFT	58	BRC0233311	RHFRONT KNEE BRACE	22
ARM0CH5084	3" LEVER ARM W/3/4" ROLLER	72, 74	BRC0233921	RHDOOR SUPPORT BRACE	22
AUG0025183	P/U LEFT AUGER ASSY-EXTEN	56	BRG0000004	PLUNGER ROLLER BEARING -	12
AUG0025184	P/U RHT AUGER ASSY-EXT OPTION	56	BRG0000008	BEARING	64
AUG0026178	LH P/U AUGER TROUGH 93"-	56	BRG0000010	ROLLER BEARING F/1592 TAIL CHUTE	20
AUG0026179	RH P/U AUGER TROUGH -	56	BRG0000012	BEARING, TWINE FINGER SHAFT	100, 104
BAF037731D	BAFFEL	126	BRG0000015	BRONZE BRG, OIL IMPREGNATED	78
BAR0025204	P/U TOOTH BAR PIPE-EXTE OPTION	52	BRG0000022	HEAVY DUTY CENTER BEARING	42
BAR0026169	UPPER DEFLECTOR BLT RETAIN BAR	56	BRG0000063	FLANGETTE	56
BAT0000038	BATTERY TERMINAL -POS	144	BRG0000103	1-1/4"(2)BOLT BEARING+COLLAR	56
BAT0240060	BATTERY-12V GROUP 24-DRY CHARG	144	BRG0000453	BEARING CUP	146
BKT0015687	P/UP LIFT STOP BRACKET	54	BRG0000455	OUTER BEARING CONE	146
BKT0015770	TNS CNTRL PUMP TENSION BRACKET	46	BRG0001001	BEARING F/ TWINE FINGER	82
BKT0015916	BATTERY HOLD DOWN BRACKET	144	BRG0001101	TOOTH BAR BEARING	52
BKT0016005	FRONT WORK LIGHT BRACKET	144	BRG0001300	BEARING, ROD END	82
BKT0016157	BOTTOM LADDER STORAGE BRACKET	24	BRG0001300	ROD END BEARING 5/16 BORE, LH	100
BKT0016158	TOP LADDER STORAGE BRACKET	24	BRG0001301	BEARING, ROD END	82
BKT0017448	SWITCH BRACKET	64	BRG0001301	ROD END BRG 5/16 RH FEMALE	100
BKT0017448	2ND FEED SWITCH BKT -	72	BRG0002000	1ST FEEDER 1592 CRANK BEARING	60, 70
BKT0018013	BULKHEAD BRACKET TUBE	120	BRG0002001	BEARING STAMPING F/BRG2000	60, 70
BKT0018160	BULKHEAD BRACKET	120	BRG0002002	LOCK COLLAR	60, 70
BKT0020148	CHAIN TIGHTENER BRACKET	70	BRG0002029	CAM FOLLOWER BEARING 1/2"BORE	52
BKT0020148	CHAIN TIGHTENER BRACKET	72	BRG0017508	NYLON TOOTH BAR BEARING	52
BKT0021619	MOUNT BRACKET AND SHIELD	144	BRG0020016	P/U DRIVE SHAFT BUSHING	56
BKT0022078	BRACKET	82	BRG0022548	KNOTTER SHAFT CENTER BRG	92
BKT0023355	NEEDLE YOKE GUARD BRACKET	22	BRG0067000	BEARING COMPLETE	56
BKT0023414	ALTERNATOR MOUNT BRACKET	46	BRG0106250	1ST FEEDER TINE LINK BRG	60
BKT0023423	ALTERNATOR BELT TENSION BRACKET	46	BRG0268250	BEARING	64
BKT0023462	TWINE GUIDE BRACKET	28	BRG0268750	BEARING	64
BKT0023472	HOSE SUPPORT BRCKT TENS CONTRL.	108	BRG0268750	4-BOLT FLANGE BEARING	72
BKT0023474	MAKE-UP CYL HSE CLAMP BKT	10	BRG036008B	BEARING, FEED FORK FLAT	64
BKT0023510	SERV LADDER HANDRAIL TOP BKT	34	BRG037677D	PILLOW BLOCK BEARING	48
BKT0024175	LADDER HANDRAIL BRACKET	34	BRG0507910	BEARING CUP-	62
BKT0024954	ACCUMDUMP VALVE BRACKET	108	BRG0507949	BRG-TAPERED ROLLER	62
BKT0025876	FLYWHEEL MNT ANCHOR BKT	48	BRG2187500	PILLOW BLOCK BRG	48
BKT0026243	ALTERNATOR SUPT BKT ASY	48	BRG2752125	BEARING, ROD	132
BKT0027448	PTO SHAFT SHIELD BRACKET	42	BRG4164PP2	BEARING 1"BORE	102
BKT0031949	TENSION RETURN TUBE ANCHOR BKT	120	BRGCRSBC20	STUD CAM FOLLOWER	100, 104
BKT0032981	BRKT,MTG;	92	BRGRJ1375	FLANGE BEARING	82
BKT0216260	LHFLYWHEEL FRAME MOUNT BKT	48	BSH0001021	KEYWAY BUSHG	56
BKT0216261	RHFLYWHEEL FRAME MOUNT BKT	48	BSH0001026	BUSHING	64
BKT0233410	LHFRT SLEEVE CVR SUPT BKT	48	BSH0005625	BUSHING	46
BKT0233411	RHFRT SLEEVE CVR SUPT BKT	48	BSH0006231	CAM LEVER ROLLER BUSH	52
BKT0235270	LHNEEDLE YOKE BRACKET	24	BSH0015841	TWINE BOX DOOR LATCH BUSHING	28
BKT0235271	RHNEEDLE YOKE BRACKET-	24	BSH0015842	TWN BX DOOR LATCH GUID.BUSHING	28
BKT0263230	LH TWN GUIDE BRACKET-AFT/11-92	28	BSH0020000	P/U FEED CRANK DRV BUSHING	70
BKT0263231	RH TWN GUIDE BRACKET-AFT/11-92	28	BSH0021617	BUSHING	48
BKT036434B	TOP SLACK PULLER BRACKET	104	BSH0021875	BUSHING	94
BKT036749D	DOUBLE KNOTTER LUBER BRKT	104	BSH0026875	BUSHING	64
BKT0502999	BRACKET-PICKUP CLUTCH SHIELD	54	BSH0026875	BSH SPECIAL	72
BKT1616200	LHP/U LIFT SPRING BRACKET	54	BSH0101251	HUB	70
BKT1616201	RHP/U LIFT SPRING BRACKET	54	BSH0101502	BUSHING	72
BKT2350200	LH P/U LIFT SPRG ANCHOR BKT	54	BSH0121875	BUSHING	46
BKT2350201	RH P/U LIFT SPRG ANCHOR BKT	54	BSH0221875	BUSHING	46
BLK0015661	BELT TAKE-UP TIGHTENER BLOCK	48	BSH0501129	BUSHING	54
BLT0000038	ALTERNATOR COG BELT	46	BSH0505909	MACH BUSH	50
BLT0000042	COG BELT-MECHANICAL DRIVE UNIT	46	BSH1252012	BUSHING	56
BLT0026167	TROUGH HAY DEFLECTOR BELT	56	CAM0013897	FEEDER SWITCH CAM	64, 72
BMP0004243	RUBBER BUMPER F/HOOD	30	CAM0015917	CHARGE SWITCH CAM	98
BMP0093769	MOUNT,SANDWICH SNGL STUD	42	CAM0017414	PICKUP REEL CAM	52
BOX0024949	LHTWINE BOX -AFT/3-92	28	CAM036734B	DOUBLE KNOTTER LS-7 CAM	78
BOX0024950	RHTWINE BOX -AFT/3-92	28	CAM036738B	DOUBLE KNOTTER LS-1,LS-12 CAM	78
BOX0232370	LH TWINE BOX OPTDIVIDER	28	CAM037541E	ALTERNATE TWINE FINGER CAM #7	78

## PARTS INDEX CONT.

Part No.	Description	Page No.	Part No.	Description	Page No.
CAP0046749	CAP FOR HUB348	52	CYL0023690	PLUNGER CYLINDER HEAD	132
CBT5151250	CABLE TIE	30	CYL0023692	PLUNGER CYLINDER BASE	132
CHN0000209	CHAIN, SAFETY	6	CYL0023694	PLUNGER CYLINDER PISTON	132
CHN0008064	CHAIN	70	CYL0023695	PLUNGER CYLINDER CUSHION	132
CHN0044321	SAFETY CHAIN	38, 40	CYL0023697	PLUNGER CYL ROD PACK GLAND	132
CHN0060125	DOUBLE KNOTTER DRIVE CHAIN	94	CYL0023699	PLUNGER CYLINDER ROD NUT	132
CHN0080100	2ND FDR DRV CHN	72	CYL0023700	PLUNGER CYLINDER BARREL	132
CHN0506116	CHAIN 3/6 LONG LINK	30	CYL0023701	PLUNGER CYLINDER TRUNIION	132
CHN375HT50	SELF-COLORED GRD 04 CHAIN	18	CYL0024785	MAKE-UP CYLINDER	10, 134
CHU0022765	INFEED CHUTE REAR PAN ASY	66	CYL0024787	MAKE-UP CYLINDER BARREL	134
CHU0022767	INFEED CHUTE FRONT PAN	66	CYL0024789	MAKE-UP CYLINDER PISTON	134
CHU0028810	LFT INFEED CHUTE SIDE PLT-A/94	66	CYL0024790	MAKE-UP CYLINDER HEAD	134
CHU0028811	INFEED CHUTE RHT SIDE PLT-A/94	66	CYL0080614	GAS SPRING CYLINDER	24
CHU0504188	BALE CHUTE - 1592	18	CYL00TC408	TC4 X 8 HYD CYL	8
CLH0017767	PICKUP DRIVE CLUTCH	56	CYL00TC408	CYLINDER TC 4 X 8 MODIFIED	118
CLH0017773	P/UP CLUTCH ADAPTER	56	CYL036792E	PLUNGER CYLINDER ASSEMBLY	132
CLH0017849	P/U CLUTCH DISC -	56	CYL036795E	PLUNGER CYLINDER ROD GLAND ASSY	132
CLH0177009	FRICTION DISK	44	CYL036796E	PLUNGER CYLINDER PISTON ROD ASSY	132
CLH0377672	HEAVY DUTY SPRING PACK	44	CYL037554E	PLUNGER CYLINDER SUB ASSEMBLY	10
CLH0388110	TORQUE LIMITER CLUTCH	44	CYL0TC3516	CYLINDER TC	8, 118
CLH0388110	NEW CLUTCH-TORQUE	46	DOG0018520	SIDE HAY DOG	8
CLP0000002	SAFETY CLIPS F/10MM BALL	30	DOR0232300	LH TWINE BOX DOOR	28
CLP0000130	HOOK-TYPE FASTENER	34, 54	DOR0232301	RH TWINE BOX DOOR	28
CLP0010951	CLAMP	120	DOR0232790	L.HMAIN DOOR ASSY.	24
CLP0022216	ACCUMULATOR CLIP 1/2 GREER	108	DOR0232791	RHMAIN DOOR ASSEMBLY	24
CLP0022217	ACCUMULATOR CLIP 1/2 GREER	108	DOR0233320	LHLOWER FRONT DOOR	24
CLP0022526	FAN GUARD CLIP	30	DOR0233321	RHLOWER FRONT DOOR	24
CLP0100150	HYDRA ZORB HOSE CLAMP	10	DPT0004000	BAFFLE ADAPTER F/W4E4A	126
CLP0100150	1-1/2 HYDRA ZORB CLAMP	120	DPT0018751	PUMP PILOT ADAPTER	48
CLP035921B	KNOTTER ANCHOR CLAMP	78	DPT0018751	PUMP PILOT ADAPTER	108
CLP0411001	NUT U-CLIP	130	DRV0087276	BEARING RING	38
CLP7701154	INSULATED HOSE CLAMP	120	DRV0087276	BEARING RING	40
CLP7701158	HOSE CLAMP	120	DRV0097133	INBOARD YOKE S4	40
CLP7701163	INSULATED HOSE CLP	34	DRV0304046	SPRING PACK	38, 40
CLP7701163	1" INSULATED HOSE CLAMP	108	DRV0312209	U-JOINT KIT F/1500 REAR DRVLIN	38, 40
CLP7701164	1-1/4 INSULATED HOSE CLAMP	108	DRV0323155	FLANGE YOKE	40
CLR0002094	MOUNTING BLOCK - OIL COOLER	130	DRV0323756	INNER PROFILE S4	40
CLR2113351	OIL COOLER	108, 130	DRV0355155	SUPPORT BEARING	38, 40
CLV0120014	CLEVIS	52	DRV0362430	FRONT YOKE 1 3/8" FOR 21 SPLINE	38
CLV0120045	CLEVIS PIN	58	DRV0362434	FRONT YOKE 1 3/4" FOR 20 SPLINE	38
CNK0000336	CONNECTING LINK	18	DRV0365385	SHIELD CONE - 5 RIB	40
CNK0000801	CONNECTING LINK-	70, 72	DRV0365387	SHIELD CONE 7-RIB	38
CNR0000193	CORD CONN	72	DRV0365556	GUARD RING	40
CNR0000194	1/2 CORD CONNECTOR(.375-.500)	74	DRV0380371	ZERK FITTING	40
CNR0000194	3/8 TO 1/2 CONNECTOR	114	DRV0383333	DECAL OUTIN ITEM 11	38, 40
CNR0001997	CONNECTOR F/ FIL3000	128	DRV0383334	DECAL INNIN ITEM C	38, 40
COI0000002	SOLENOID VALVE COIL, 12DC	124	DRV0388109	HUB 1-3/4" 6 SPLINE	44
COI0035G12	SOLENOID COIL 12 VDC	114	DRV0388242	INNER PROFILE FOR 21 SPLINE	38
COI6351010	SOLENOID VALVE COIL, 10 VDC	124	DRV0388243	SLEEVE, TUBE & INBOARD YOKE 21SP	38
COT0000501	COTTER PIN	52	DRV0388944	INNER PROFILE FOR 20 SPLINE	38
COT0000502	COTTER PIN	50, 52	DRV0389771	1-3/8"X21 FRNT SHF F/3PC DRVLN	42
COT0000503	COTTER PIN	8, 58	DRV0389772	OUT SHIELD TUBE OVL	38
COT0000801	COTTER PIN	24	DRV0389773	INNSHIELD TUBE ROUND	38
COT0000806	COTTER PIN	50	DRV0389774	1-3/4"X20 FRNT SHF F/3PC DRVLN	42
COT0000807	COTTER PIN	146	DRV0389775	SLEEVE, TUBE & INBOARD YOKE 20SP	38
CPL0018917	PMP DRCLPLGHALF-BORED-WALDR	48	DRV0389776	OUT SHIELD TUBE OVL	38
CPL0021616	PUMP DRIVE REAR COUPLING HALF	48	DRV0389777	INNSHIELD TUBE ROUND	38
CPL0080104	HYDRAULIC QUICK COUPLER	58	DRV0389778	SLEEVE,SHEILD SUPPORT & STUB SHAFT	40
CRA036495E	PL,CRANK	64	DRV0389779	SECONDARY SHAFT F/3PC DRIVLINE	42
CVR0000001	HYD TANK CLEAN-OUT COVER	126	DRV0389780	OUTER SHIELD TUBE OVAL	40
CVR0016464	TWINE GUIDE COVER	28	DRV0389781	INNER SHIELD TUBE RND	40
CVR0023300	REAR PLUNGER COVER ASSY	30	DRW035997B	BAR	10
CVR0023598	TOOL BOX COVER ASSEMBLY	34	DRW036447D	LOWER SLACK PULLER MOUNT	102
CVR0025413	REAR CLOSURE PLATE-AF/92	24	DSK0304235	WASHER	44
CVR0232361	RHTWN BX FILTER ACCESS CVR	28	DSK0353203	WASHER	44
CVR0234290	LH FRONT ACCESS COVER ASY	32	ELC0000334	SENDING UNIT- HYD TEMP	126
CVR0234291	RH FRONT ACCESS COVER ASY	32	F 0000025	CONNECTING LINK	56
CVR037639E	KNOTTER FAN SHROUD ASSEMBLY	30	F 0000123	OFFSET LINK	56
CVR037735D	RH HALF PLUNGER CVR,SHLD	30	F 0000172	STEEL SET COLLAR	98
CVR037736D	LH HALF PLUNGER CVR,SHLD	30	F 0000278	SPRING F/KNOTTER TRIP ARM	28
CYL0000205	PICKUP LIFT CYLINDER F/1500 -1592	58	F 0000440	FERRULE	50
CYL0000205	PICK-UP LIFT CYLINDER COMPLETE	140	F 0000856	TWINE & WIRE GUIDE BUSHING	28
CYL0017120	PLUNGER CYL ROD END TIE ROD	132	F 0000857	SNAP RING F/TWN GUIDE BUSHING	28
CYL0017121	PLUNGER CYL BASE END TIE ROD	132	F 0000967	SHIM F/PINION SHAFT BRG - 16GA	28

## PARTS INDEX CONT.

Part No.	Description	Page No.	Part No.	Description	Page No.
F 0000967A	SHIM F/PINION SHAFT BRG - 20GA	28	F000008312	1/4 SLEEVE F/F1441	128
F 0000967B	SHIM F/PINION SHAFT BRG - 10GA	28	FAN0250937	FAN BLADE F/KNOTTER BLOWER	30
F 0001007	CONTROL KNOB - 5/16 NC THREAD	28	FAN5000212	BLADE ASSY - COOLER FAN 21"	130
F 0001441	CONN1/8 NPT M X 1/4 ELBOW W/NUT	128	FAN5002147	FAN & MOTOR ASSY F/OIL COOLER	130
F 0001441	ELBOW	82, 86	FD 0007111	25" X 4" WHITE "FREEMAN" DECAL	2, 4
F 0001517	TRIP SPRING	50	FD 0022124	DECAL,PATENT NUMBERS-HAY EQUIP	2, 4
F 0001618	METER WHEEL SHAFT BRG W/CLAMPS	98	FD 0025221	BALE LENGTH ADJ DECAL	2, 4
F 0001619	METER WHEEL SHAFT-BEARING ONLY	98	FD 0023531	"DANGER! ROTATING DEVICE..."	2, 4
F 0001654	OUTER BEARING CUP	52	FD 0023537	"CAUTION!OPERATE AT 1000 RPM	2, 4
F 0001790	COMPRESSION SPRING F/PTO CLTCH	56	FD 0023538	"WARNING!DO NOT RIDE ON..."	2, 4
F 0001791	CLUTCH PIN	56	FD 0023951	DECAL LUG NUT	2, 4
F 0001793	FRICTION DISC F/PTO CLUTCH	56	FD 0024865	LHFREEMAN 1592 DECAL	2, 4
F 0001797	CLUTCH PLT COMPRESSION SPRING	56	FD 0024866	RHFREEMAN 1592 DECALS	2, 4
F 0001889	FLANGETTE F/F1618 BEARING	98	FD 0025249	DECAL-HOIST BALER-LIFT POINTS	2, 4
F 0001890	LOCKING COLLAR (PART OF REF#4)	98	FD 0028042	DECAL-SPROCKET ORIENTATION	2, 4
F 0001909	BEARING CONE	52	FD 0029854	DECAL-FEEDER CRANK CAUTION	2, 4
F 0004104	KEY	72	FD00018808	HYD FLUID DECAL	130
F 0006328	GROMMET-BATTERY HOLD DOWN	144	FD0037145B	"D" DECAL	2, 4
F 0006450	O-RING F/F6269 4-BOLT FLANGE	10	FD0505626	DECAL-TAPE BLK/YELLOW 3"	2, 4
F 0006551	BOLT	144	FD70000108	DECAL-KEEP SHIELDS IN PLACE	2, 4
F 0006675	CONN3/4"JIC X 1" NPT MALE	108	FD70000170	DECAL-RED REFLECTOR	2, 4
F 0006684	O-RNG ST THD CONN	72	FD70000434	DECAL-MADE IN USA	2, 4
F 0007033	BEARING CONE	146	FD70000445	DECAL-LIFT POINT	2, 4
F 0007034	BEARING CUP	146	FD70000722	DECAL-YELLOW REFLECTOR STICKON	2, 4
F 0007904	KEY	52	FD7000A896	DECAL-WARNING MOVING PARTS	2, 4
F 0008011	OUTER WHEEL BEARING CUP	56	FD7000A897	DECAL-DANGER BALER INTAKE	2, 4
F 0008147	TWINE FINGER DRIVE ROD BUSHING	28	FD7000A919	DECAL-WARNING DRIVELINE	2, 4
F 0008197	TANK COVER F/F-8196	96	FD7000A920	DECAL-DANGER FALLING HAZARD	2, 4
F 0008198	GASKET F/AUTO LUBER TANK	96	FD7000A923	DECAL-WARNING FORK CRANK	2, 4
F 0008199	SITE GAUGE F/AUTO LUBER TANK	96	FD7000A925	DECAL-WARNING USE LADDER	2, 4
F 0008201	LUBER/KNOTTER SPROCKET	96	FD7000A932	DECAL-WARNING READ MANUAL	2, 4
F 0008209	BRASS MALE ELBOW	96	FD7000A933	DECAL-WARNING MOVING,CRUSH	2, 4
F 0008264	RUBBER BUMPER	98	FD7000A934	DECAL-WARNING NEEDLE FRAME	2, 4
F 0008312	SLEEVE F/F1441	96	FD7000A936	DECAL-WARNING KNOTTERS	2, 4
F 0008380	BEARING & LOCK COLLAR	52, 56	FD7000A937	DECAL-WARNING ALLOW TO STOP	2, 4
F 0008381	LOCK COLLAR	52, 56	FD7000A938	DECAL-READ OPERATORS MANUAL	2, 4
F 0008383	FLANGETTE-NO ZERK F/F8102	52, 56	FD7000A943	DECAL-OIL REQUIREMENT	2, 4
F000000072	KEY F/ FLYWHEEL & PINION SHAFT	46	FD7000A944	DECAL-TOWING PRECAUTION	2, 4
F000000658	KNOTTER WORM WASHER	80	FD7000A952	DECAL-DRAWBAR HITCH	2, 4
F000000760	CONNECTING LINK	94	FD7000A961	DECAL-SHUTDOWN DIAGNOSTIC	2, 4
F000000856	TWINE & WIRE GUIDE BUSHING	104, 106	FD7000A983	DECAL-NOTICE TO OWNER	2, 4
F000000857	SNAP RING F/TWN GUIDE BUSHING	104, 106	FD7001A948	DECAL-FAN SWITCH	2, 4
F000000883	IDLER PULLEY F/KNOT CHAIN DRIV	94	FEN1763200	LHPICKUP FENDER FLARE	52
F000000946	WIRE ALARM SWITCH F/ELC21608	104	FEN1763201	RHPICKUP FENDER FLARE	52
F000001441	CONN 1/8 NPT M X 1/4 ELBOW W/NUT	126	FIL0000003	FILTER-SUCTION F/1592 TNS PUMP	126
F000001441	ELBOW	130	FIL0001592	FILTER - MAIN SYSTEM HYDRAULIC	126, 128
F000001517	SPRING, TRIP	82	FIL0003000	ELEMENT F/1592 MAIN HYD FILTER	128
F000001517	SPRING ( TWINE FINGER )	104	FIL0009052	IN-LINE FILTER	96
F000001517	TRIP SPRING	100, 102	FIL0010003	FILTER CAP COMPLETE W/SCREEN	96
F000004137	BUSHING	74	FIL0164056	FILTER FOR PUMP	108
F000006675	3/4" JIC TO 1" ST FITTING	126	FIL1731101	BREATHER FILTER, HYD TANK	126
F000006675	12M JIC X 1M ST ADAPTER	130	FIL8800200	FILTER MANIFOLD	108
F000007154	SPRING, EXT	76	FLG0001501	SPLIT FLG W/O-RING &BOLT KIT	10, 108, 132
F000007400	TUBING	130	FLG0001660	1" CODE 62 BLIND FLANGE	10, 132
F000007552	NEEDLE TO YOKE CARR BOLT W/NUT	74	FLT0034591	FEEDER BEARING SEAL FELT	62
F000007860	WASHER, KNIFE ARM	80	FLT3125350	FELT RING	132
F000007870	DOUBLE KNOTTER CLEANER	80	FLW0023253	BALANCED FLYWHEEL	48
F000007871	TWINE HOLDER DISC WORM PINION	80	FRM0032270	ASSEMBLY, FRAME, CHUTE, ROLLER	20
F000007947	DOUBLE KNT HOOK CAM ADJ SPRING	80	FRM0035141	UPPER TWINE TENS FRAME ASSY	106
F000007948	KNOT HOOK CAM ADJUSTING SCREW	80	FRM0035143	LOWER TWINE TENS FRAME ASY	106
F000007976	SNAP RING F/KNIFE ARM SHAFT	80	FRM0232910	R.HTOP SHIELD SUPT ASB	22
F000007977	WASHER	74	FRM0232911	L.HTOP SHIELD SUPT ASB	22
F000007988	SNAP RING F/KNOTTER SHAFT	74	FRM037528E	FLYWHEEL MOUNT FRAME	48
F000008052	TWINE HOLDER SPRING	80	FRM037556E	GIMBAL FRAME ASSY	10
F000008102	BEARING ASSY F/PICKUP SHAFT	52	FST0010401	FLDING HANDLE FASTNER	24, 30, 32, 54, 120
F000008144	TWINE FINGER BUSHING NUT	100	FT 0000113	CONNECTING LINK -	96
F000008274	ROLLER, KNIFE ARM	80	FT 0000114	OFFSET LINK -	96
F000008275	SNAP RING F/KNIFE ARM SHAFT	80	FT 0000165	PUMP DRIVE CHAIN-	96
F000008280	WASHER WORM SHAFT & KNIFE ARM	80	FT 0006205	ADJUSTING SCREW	50
F000008287	FITTING, LUBE	92	GAG0064051	GAUGE-THERMOMETER SIGHT	126
F000008288	FITTING, LUBE	92	GAG0082115	OIL TEMP GAUGE S/W82-115	130
F000008290	CABLE TIE - BLACK	92	GAG2335010	GAUGE LIQ FILL HYD 10000 PSI 4"	130
F000008306	FERRULE F/AUTO LUBER FITTING	92	GRD0004432	CAGE F/KNOTTER BLOWER-COMPLETE	30
F000008312	SLEEVE F/F1441	92	GRD0022486	CENTER FEED CHUTE GUARD	66

## PARTS INDEX CONT.

Part No.	Description	Page No.	Part No.	Description	Page No.
GRD0022492	CENTER FEEDER GUARD	66	HOS036692A	HOSE KNOTTER MANIFOLD TANK	116, 126
GRD0023386	GUARD - FAN OIL COOLER	130	HOS036693A	OIL COOLER BYPASS HOSE	108, 112, 126
GRD0025282	WIND GRD 98-1/2" -F/93" STD PU	50	HOS036695A	TEN MANIFOLD TO BOT CYL.RET HOSE	118
GRD0224960	LH OUTSIDE FEEDER GUARD	66	HOS036695A	TEN MANIFOLD TO BOT CYL.RET HOSE	122
GRD0224961	RH OUTSIDE FEEDER GUARD	66	HOS036697A	TEN MANIFOLD TO RH CYL SUP HOSE	122
GRD0233110	LHNEEDLE YOKE GUARD	24	HOS036698A	TEN MANIFOLD TO RH CYL RET HOSE	118, 120, 122
GRD0233111	RHNEEDLE YOKE GUARD	24	HOS036699A	TENSION MANIFOLD RETURN HOSE	118, 120, 122
GRD0505568	PICKUP DRIVE CHAIN GUARD	70	HOS036700A	TENSION MANIFOLD SUPPLY HOSE	118, 120, 124
GRD0506144	PICKUP DRIVE SHAFT GUARD	56	HOS036701A	TEN PRESSURE GAUGE HOSE	116, 118, 122
GRD2521300	LFT OUTSIDE CHUTE GRD-MODIFIED	66	HOS036702A	RETURN FILTER TO RET MANIFD HOSE	126
GRD2521301	RHT OUTSIDE CHUTE GRD-MODIFIED	66	HOS037017A	HOSE-KNOTTER MOTOR SECONDARY	94, 116
GRL0023379	OIL COOLER GRILL	130	HOS037354A	HOSE-KNOTTER SLOWDOWN KIT	94, 114, 116
GRM0002285	GROMMET	30	HOS037569A	HOSE-KNOTTER RETURN	94, 114, 116
GRM0127469	LIGHT GROMMET 12 VOLT SEALED	144	HRN0036239	LS-13 SWITCH HARNESS TO JOB2	74
GSK0000RG4	GASKET - FILTER HOUSING	128	HSG0026245	ALTERNATOR HOUSING	48
GUD0018010	P/U SHIELD GUIDE ASSEMBLY	54	HSN0017505	P/UP TOOTH BAR BRG HSG-ASSEMBL	52
GUD0018011	P/U SHIELD GUIDE ASSEMBLY	54	HSN0023116	BEARING HOUSING	62
GUD0018012	P/U SHIELD GUIDE ASSEMBLY	54	HSN0027989	EXTEND P/U AUGER BRG HSN-	56
GUD037663A	PIPE;F/TWINE	8	HSN0177008	HOUSING & DRIVE PLATE	44
GUD2527800	LHWIND GUARD MOUNT GUIDE	50	HSN0388108	CLUTCH HOUSING	44
GUD2527801	RHWIND GUARD MOUNT GUIDE	50	HTH0021484	OPTIONAL BALL HITCH MOUNT	36
HAN0000150	PLATED DOOR HANDLE	54	HTH0021490	HITCH BALL	36
HAN0000817	CHROME GRAB HANDLE	32	HUB0000348	HUB W/BRGS & SEALS	52
HAN6210603	LIFT-N-LATCH HANDLE	24	HUB0001592	HUB ASSY, COMPLETE	146
HNG0023458	SHEAVE FRONT SHIELD HINGE	32	HUB000BT12	HUB ONLY	52
HNG0023485	HINGE	34	HUB0909915	HUB CAP	146
HNG0232330	LH TOP HINGE PIN-AT/11-89	28	HUB2871660	HUB W/INNER-OUTER BEARING-CAP	146
HNG0232331	RH TOP HINGE PIN-AF/11-89	28	HYD00004EC	THREADED END CAP	138
HNG0233390	LHLOWER DOOR HINGE	24	HYD0000705	MULTI-PURPOSE AIR VENT	58
HNG0233391	RHLOWER DOOR HINGE	24	HYD000TC4N	PISTON LOCK NUT	138
HNG0235070	LHLOWER FRONT DOOR HINGE	28	HYD000TC4S	SHAFT ASSEMBLY	138
HNG0235071	RHLOWER FRONT DOOR HINGE	28	HYD0010000	PULSATION DAMPENER	108, 130
HNG1598500	LHPLUNGER COVER HINGE SECT	30	HYD0162037	INDICATOR - REMOTE HYDRAULIC	130
HNG1598501	RHPLUNGER COVER HINGE SECT	30	HYD3069021	HEX NIPPLE	92
HNG1598600	LHPLUNGER COVER HINGE SECT	30	HYD3069032	NIPPLE	96
HNG1598601	RHPLUNGER COVER HINGE SECT	30	HYD3069070	BUSHING 1" NPT HEX STEEL	108
HOS0015761	HOSE TENS CONTROL CYL	118, 122	HYD3109096	1-1/2 X 3/4 STEEL PIPE BUSHING	126
HOS0015762	HOSE TENS CONTROL CYL	118	HYD3159022	PIPE PLUG 1-1/2 HEX STEEL	126
HOS0015762	HOSE TENS CONTROL CYL	122	HYD3159060	PIPE PLUG 3/4 HEX STEEL	126
HOS0015874	HOSE-PLUNGER CYLINDER	10, 108, 112, 116	HYD3169030	PIPE PLUG	56
HOS0016624	HOSE-VALVE MANIFOLD PILOT	108, 112, 114, 116	HYD3249060	ADAPTER 3/4 O-RING X 3/4 NPT MLE	108
HOS0016649	HOSE-RETUN FEEDER VALVE	116, 126	HYD3269044	ADAPTER 1/2 O-RING X 1/2 NPT FMLE	108
HOS0016658	HOSE-PICKUP LIFT SUPPLY	58	HYD3409020	STREET ELBOW 1/4 X 90	108, 130
HOS0020543	HYDRAULIC HOSE	108	HYD3609030	STEEL MALE BRANCH TEE	58
HOS0020543	HOSE-ACCUMULATOR CHARGE	112	HYD3709060	3/4 STEEL FEMALE PIPE TEE	126
HOS0020760	PICKUP LIFT CYL HOSE	58	HYD3709070	PIPE TEE 1" FEMALE STEEL	108
HOS0020947	HOSE-TC STYLE TENS CYL	118, 122	HYD3959060	CROSS 3/4 STEEL PIPE	108
HOS0020948	HOSE-TC STYLE TENS CYL	118, 122	HYD5015062	TUBE REDUCER	68, 114
HOS0022137	HOSE	108, 112	HYD5105062	CONN12F JIC X 4M JIC STR	110
HOS0022137	HOSE-10M PRESSURE GAUGE	112, 112	HYD5129020	1/4" JIC CAP	68, 110, 114, 124
HOS0023435	HOSE-FEED KNOTTER MNFLD RETURN	108, 126	HYD5129060	SENDING UNIT- HYD TEMP	126
HOS0023438	HOSE-FEED FORK MOTOR	114, 116	HYD5205054	5/8 JIC X 1/2 NPT MALE CONN	126
HOS0023451	MAKE-UP CYL BASE-FDR LEG BH	10	HYD5205060	CONN3/4 JIC X 3/4 NPT M	126
HOS0023451	HOSE-LH MAKE UP CYLINDER BASE	108, 116	HYD5205070	CONN.1"JIC X 1"NPT MALE	10, 108
HOS0023452	HOSE-RH MAKE UP CYLINDER BASE	116	HYD5205100	CONN 1-1/4 JIC 1-1/4 NPT M	126
HOS0023455	HOSE-PRESSURE SWITCH	116	HYD5205120	1-1/4 JIC X 1-1/2 NPT CONNECT	126
HOS0023460	HOSE-ACCUMULATOR DISCHARGE	108, 112	HYD5255022	FITTING 1/4F X 1/4M JIC SOLID STR	108, 130
HOS0023488	HOSE-PUMP SUCTION	108, 112, 126	HYD5275080	CONN1"JIC X 1"NPT FML BULKHEAD	108
HOS0023494	TENSION PUMP SUCTION HOSE	46	HYD5315020	STRTHDCONN., -4 ORING X -4 JIC	124
HOS0023494	HOSE TENSION PUMP SUCTION	122, 126	HYD5315023	CONN1/4 JIC X 3/8 O-RING STR THD	108
HOS0024293	LONG P/U LIFT HSE	58	HYD5315033	3/8 JIC X 3/8 O-RNG ST THD CONN	124
HOS0024887	HOSE	10, 108, 112, 116	HYD5315034	3/8 JIC X 1/2 O-RING STR THREAD CON	124
HOS0024889	HOSE	10, 108, 112, 118	HYD5315043	CONN1/2 JIC X 3/8 O-RING STR THD	108, 114
HOS0024973	HOSE	108, 112	HYD5315060	O-RNG	68, 70, 94, 114, 124
HOS0024980	HOSE	108, 112	HYD5315065	3/4 JIC X 5/8 O-RING ST THD CONN	124
HOS0024984	HOSE	112	HYD5315067	O-RNG ST THD CONN	72
HOS0025038	HOSE	122, 126	HYD5315121	CONN1-1/2 JIC X 1-1/4 O-RING	108
HOS0025040	HOSE	112	HYD5325030	BULKHEAD UNION 3/8 JIC	120
HOS0028188	HOSE	112	HYD5325050	BULKHEAD UNION 5/8 JIC	120
HOS0032166	FEEDER MANIFOLD PRESSURE HOSE	108, 112, 114, 116	HYD5355121	1-1/2JIC X 1-1/2NPT 45*	126
HOS0032167	HOSE-FEEDER VALVE SUPPLY	108, 112, 116	HYD5365060	ELBOW 12M JIC X 12M ADJ 45 DEG	114
HOS0035162	COMMERCIAL PUMP SUCTION HOSE	108, 112, 116	HYD5365080	ELBOW 16M O-RING X 16M JIC 45 DEG.	110
HOS036689A	HOSE FEEDER VLV TO FEEDER MOTOR	108, 116	HYD5375030	BLKHD UNION ELBOW	58
HOS036690A	HOSE TENSION PUMP	46, 122	HYD5405060	3/4 JIC X 3/4 NPT 90° MALE ELB	118, 126

## PARTS INDEX CONT.

Part No.	Description	Page No.	Part No.	Description	Page No.
HYD5515030	ELBOW 6M JIC X 6M ADJ90 DEG.	110	LIT1410122	LIGHT RED 12 VOLT SEALED	144
HYD5515043	O-RING 90° ELBOW	46	LIT7072901	LIGHT SEALED BEAM 12 VOLT	144
HYD5515045	O-RING 90° ELBOW	46	LIT7072902	PROTRUDING RING F/ LIT7072901	144
HYD5515060	ELBOW 3/4 JIC X 3/4 O-RING 90 DEG	114	LNK0023133	FEEDER TINE LINK	60
HYD5515070	ELBOW 16M X 16M JIC 90 DEG.	110	LNK0025281	WIND GUARD SPRING LINK	50
HYD5525030	BLKHD UNION ELB	58, 108	LNK0231330	FEEDER TINE LINK ASSY	60
HYD5706060	SWIVEL RUN TEE	68, 94, 108	LNK035922B	KNOTTER ANCHOR LINK	78
HYD5716020	1/4 TUBE 1/4 O-RING RUN TEE	124	LOK0017500	LOCK COLLAR	62
HYD5716060	TEE 12 JIC X 12M ADJSTR THD	108, 110	LTH1584700	LHTWINE BOX DOOR LATCH	28
HYD5726030	BULKHEAD RUN TEE	58	LTH1584701	RHTWINE BOX DOOR LATCH	28
HYD5755444	RUN TEE 1/2 JIC X 1/2 NPT MALE	108	LUB0017169	LUBER TANK ONLY-1592	96
HYD7237020	PLUG 6M	110	LUB0047200	STRAIGHT RELIEF FITTING	62
HYD7237030	HEX HD PLUG 3/8 O-RING PLTD	114	LUB0083924	COMP NUT/SLEEVE F/ SL42 LUB833116	92
HYD7237040	HEX HD PLUG 1/2 O-RING PLTD	114	LUB0833111	LUBER ASSY, MANIFOLD, 1 HOLE	92
HYD7237050	HEX HD PLUG 5/8 O-RING PLTD	114	LUB0833116	LUBER ASSY, MANIFOLD, 6 HOLE	92
HYD7237060	PLUG 12M	110, 114	MNF036773D	TENSION VALVE MANIFOLD	124
HYD7237080	PLUG 16M	110	MNT0013456	PICKUP TOOTH MOUNT	52
HYD7629040	O-RING	126	MNT0015856	ACCUMULATOR MOUNT	108
HYO00FA2US	SHAFT PACKING (SET)	140	MNT0018742	SAE "AA" 2-BOLT PUMP MNT	46
HYP TC4P	CLEVIS PIN	138	MNT0018946	CHAR LYNN 6000 MOTOR MNT -1500	72
HYP TC35N	PISTON LOCK NUT	136	MNT0020255	CHANNEL	10, 110
HYP TC35O	HEAD O-RING ASSEMBLY	136	MNT0020946	OIL COOLER FAN MOUNT	130
HYP FA22P	CLEVIS PIN W/COTTER PIN	134	MNT0023278	DRV UNIT BELT TAKEUP	48
HYP00035EC	THEADED END CAP	136	MNT0023288	TENS CONTROL PUMP MNT BKT	46
HYP000FA2E	PISTON HEAD	140	MNT0023349	OIL COOLER MOUNT	130
HYP000FA2G	PACKING GLAND	140	MNT0023391	CONTROL & FAN BOX MOUNT	26
HYP000FA2M	STEEL WASHER	140	MNT0023468	TENSION PUMP MOUNT ASSY	48
HYP000FA2N	PISTON LOCK NUT	140	MNT0023489	L DOR SUP BRC W/ BAT MNT	22
HYP000FA2O	O-RING	140	MNT0024096	PICKUP LIFT CYLINDER MOUNT	58
HYP000FA2P	CLEVIS PIN	58, 140	MNT0024734	LFT MAKEUP CYL MNT-A/8-91	12
HYP000FA2T	PACKING GLAND BOLT W/LKWSR	140	MNT0024735	RT MAKEUP CYL MNT-AF-8/91-1590	12
HYP000FA2V	PISTON	140	MNT0026340	BALE CHUTE MNT -AFT/11-92	18
HYP000FA2LR	HEAD LOCKING RING	140	MNT0028883	PTO SHAFT BRG MNT-A/8-94	42
HYP000FA2PO	PISTON O-RING ASSEMBLY	140	MNT0231010	LH FRONT TWINE BOX MOUNT	28
HYP000FA2RW	ROD WIPER	140	MNT0231011	RH FRONT TWINE BOX MOUNT	28
HYP000FA2SO	SMALL O-RING	140	MNT0231020	LH REAR TWINE BOX MOUNT	28
HYP0FA25-C	TUBE ASSEMBLY	140	MNT0231021	RH REAR TWINE BOX MOUNT	28
HYP0FA25-S	SHAFT ASSEMBLY	140	MNT0233030	LHGAS SPRING FRM MNT ASSY	22
IMP0026006	PLASTIC SLEEVE ONLY	96	MNT0233031	RHGAS SPRING FRM MNT ASSY	22
IMP0026106	NUT & SLEEVE ASSEMBLY	96	MNT0252940	LH REAR GAS SPG/BUMP MNT -A/92	22
KEY0331737	KEY	44	MNT0252941	RH REAR GAS SPG/BUMP MNT -A/92	22
KIT0000010	SEAL KIT F/VLV0000416	114	MNT036384D	LH NEEDLE YOKE MOUNT ASSY	74
KIT0000013	SEAL KIT F/VLV1592CBG	114	MNT036385D	RH NEEDLE YOKE MOUNT ASSY	74
KIT0000017	O-RING SEAL KIT F/VLV0017304	114	MNT036396B	TWINE FINGER SHAFT BRG MNT	100, 104
KIT0015001	HEAVY BALL HITCH ASSY	36	MNT036412D	LEFT DOUBLE KNOTTER MNT	94
KIT0030000	ELEMENT KIT (2 ELEMENT AND CONN)	128	MNT036413D	RIGHT DOUBLE KNOTTER MNT	94
KIT046J515	SEAL KIT F/VLV046J515	114	MNT036421D	LEFT KNOTTER MOTOR MOUNT	94
KIT0991010	SEAL KIT F/VLV0000026	114	MNT036422D	RIGHT KNOTTER MOTOR MOUNT	94
KITV507949	BEARING SEAL	62	MNT036433E	TOP SLACK PULLER MOUNT	104
KNF0022602	PLUNGER CENTER KNIFE	12	MNT036444E	LOWER SLACK PULLER UPPER MNT	102
KNF0027932	PLG OUTER KNIFE AFT/11-93	12	MNT036449B	BTM SLACK PULLER SPRING MNT	102
KNT036431D	TOP SLACK PULLER	104	MNT036479B	DOUBLE KNOTTER CENTER BRG MNT	78
KNT036432B	TOP SLACK PULLER SIDE	104	MNT036736B	DOUBLE KNOTTER CAM MOUNT	78
KNT037069D	BOTTOM SLACK PULLER	102	MNT036744B	LEFT LUBER MOUNT BRACKET-	104
KNT037070A	BOTTOM SLACK PULLER SIDE	102	MNT036745B	RIGHT LUBER MOUNT BRACKET	104
KNT037142B	DBL KNOT TWINE FINGER-MACHINED	100	MNT036746D	LEFT SLACK PULLER MOUNT-	104
KNT0613103	KNOTTER HEAD ASSEMBLY	78, 92	MNT036747D	RIGHT SLACK PULLER MOUNT	104
LAT0000201	RUBBER DRAW LATCH	32	MNT037268B	LS-3 LIMIT SWITCH MOUNT	98
LDR0016139	PORTABLE LADDER	24	MNT037662A	BRACKET	8
LDR0023313	SERVICE LADDER ASSEMBLY -	34	MNT037717A	FAN SHROUD SPRING MOUNT	30
LEV0023055	TOOTH BAR CAM LEVER	52	MNT037719B	SOLENOID VALVE MOUNT	68
LEV036393B	TWINE TUCKER FOLLOWER LEVER	104	MNT0505622	MOUNT-SOLENOID VALVE	108
LEV2527900	L.HMNTD WINDGRD SPRING LEVER	50	MNT2527600	L.HOITIONAL MNTD WINDGRD MNT	50
LEV2527901	R.HMNTD WINDGRD SPRING LEVER	50	MNT2527601	R.HOITIONAL MNTD WINDGRD MNT	50
LIN036840D	CENTER FRONT LINER	16	MNT2541200	LHREAR SHIELD/CLOSURE PLT	24
LIN036841D	RIGHT FRONT LINER	16	MNT2541201	RHREAR SHIELD/CLOSURE PLT	24
LIN037467D	LEFT BTM CHAMBER LINER	18	MNT5061131	RH MOUNT, DOOR STAY	28
LIN037468D	CENTER BOTTOM CHM LINER	18	MNT5064110	LH MOUNT, DOOR STAY	28
LIN037469D	RIGHT BOTTOM CHAMBER LINER	18	MTR0022706	KNOTTER FAN MOTOR W/LEADS	30
LIN037632B	RH REAR TOP LINER	16	MTR1091102	HYDRAULIC MOTOR F/1592D	94
LIN037661E	FEED CHUTE LINER,UHMW	66	MTR1091104	MOTOR	70, 98
LIT0020171	WORK LIGHT ASSY HALOGEN 200/330	144	MTR1121067	MOTOR-	72
LIT0029888	KNOTTER WORK LIGHT	144	MTR5000211	FAN MOTOR ONLY	130
LIT1410112	LIGHT YELLOW 12 VOLT SEALED	144	NMS0005708	SWIVEL FLANGE CAP NUT	146

## PARTS INDEX CONT.

Part No.	Description	Page No.	Part No.	Description	Page No.
NMS0005708	SWIVEL FLANGE CAP NUT-WHEEL	146	ROD0001600	LHROD END KNOTTER SIDE	74
NSL0013750	SLOTTED NUT	146	ROD0015498	DRIVE BELT TAKE UP ROD	48
NYL0001250	NYLAFLOW TUBING - TYPE LP	92	ROD0015671	FEED SENSOR GUIDE ROD	98
OFL0000102	OFFSET LINK-	70, 72	ROD0015719	CHAIN TIGHTENER ADJUSTMENT ROD	72
PAD0025218	PAD W/ HOLES FOR	104	ROD0017217	NEEDLE YOKE DRIVE ROD	70
PCY0013464	PICKUP FINGER	52	ROD0023698	PLUNGER CYLINDER ROD	132
PCY0017501	CENTER & LH REEL PLATE	52	ROD0024786	MAKE-UP CYLINDER ROD	134
PCY0017634	P/U STRIPPER MOUNT ANGLE	52	ROD0025263	P/U BALANCE SPG ROD F/EXTEND	54
PCY0023053	PICK UP REEL PLATE	52	ROD0025329	P/U MNT WINDGRD SPG ADJUST ROD	50
PCY0025859	P/U LEFT HAND STRIPPER	52	ROD0035594	DBLE KNTTER NDLE YOKE DRIVE ROD	74
PCY0025860	P/U CENTER STRIPPER	52	ROD037018B	TWINE FINGER DRIVE ROD	100
PCY0025861	P/U RIGHT HAND STRIPPER	52	ROD037256B	ROD ASSEMBLY	82
PCY0028026	P/U FRAME - 93"	52, 54, 56	ROL0035115	ROLLER ASSEMBLY	20
PDL0015668	LH FEED SENSOR PADDLE- 38"	98	ROL0035138	TWINE TENSIONER ROLLER	106
PDL0017210	RH FEED SENSOR PADDLE-38"	98	RS00006002	BILL HOOK BUSHING	80
PDL0027207	RH FEED SENSOR PADDLE -36" C/O	98	RS00006003	TWINE DISC BUSHING	80
PDL0027208	LH FEED SENSOR PADDLE -36" C/O	98	RS00010500	WASHER WORM SHAFT & KNIFE ARM	80
PDL035816E	LH FEED SENSOR PADDLE,34-1/2"	98	RS00602201	KNIFE ARM BUSHING	80
PDL035817E	RH FEED SENSOR PADDLE,34-1/2"	98	RS03451926	PIN F/TWINE HOLDER	80
PIN0015507	PICKUP PIVOT PIN	54	RS05227344	SPIRAL PIN F/KNOTTER GEARS	80
PIN0021155	PORTABLE LADDER PIN	24	RS20061311	DOUBLE KNOTTER FRAME	80
PIN0023475	SIDE DOOR HINGE PIN	24	RS20561321	DOUBLE KNOTTER CAM GEAR	80
PIN0024791	PLUNGER CYLINDER PIN	10	RS20621360	DOUBLE KNT KNIFE SUPPORT SPACER	80
PIN0375125	SNAPPER PIN	54	RS20632030	DOUBLE KNOTTER JAW CAM	80
PLG0014974	PLUNGER SLIDE SHIM	12	RS20637724	KNIFE ARM PIN ONLY	80
PLG0014979	REAR PLUNGER ROLLER BOLT	12	RS20637801	DOUBLE KNT WORM SHAFT ASSY.	80
PLG0022711	NUT F/PLGR ROLLER BOLT-1590/92	12	RS20637841	DOUBLE KNOTTER TWINE HOLDER	80
PLG0024740	FRT PLG ROLLER BOLT AF/8-91	12	RS20644360	DOUBLE KNOTTER TWINE KNIFE	80
PLG036797E	PLUNGER FRM ASSY	12	RS20661060	DOUBLE KNOTTER CIRCLIP	80
PLG2599100	LH PLUNGER SLIDE RAIL-AFT/9-92	12	RS20661070	DOUBLE KNOTTER WASHER, SS	80
PLG2599101	RH PLUNGER SLIDE RAIL-AFT/9-92	12	RS20661080	DOUBLE KNOTTER WASHER, SS	80
PLT0021486	BALL HITCH TOP PLATE	36	RS20661090	DOUBLE KNOTTER WASHER SS	80
PLT0021487	BALL HITCH BOTTOM PLATE	36	RS20661120	WASHER, LOCK; FOR KNIFE ARM PIN	80
PLT0021488	CLEVIS PIN PLATE	36	RS20661130	DOUBLE KNOTTER KEY	78, 94
PLT035995D	SIDE PLATE	10	RS20661231	DOUBLE KNOTTER KNIFE ARM	80
PLT0367725	DRIVE PLATE	44	RS20661260	DOUBLE KNT WORM GEAR PINION	80
PLT0367726	DRIVE PLATE	44	RS20661280	DOUBLE KNT BILL HOOK ASSY.	80
PLT037555D	GIMBAL FRAME CAP PLATE	10	RS26531311	DOUBLE KNOTTER TWINE DISC ASSY.	80
PLT10951SP	SAFETY PLATE	120	RS30501651	DOUBLE KNOTTER TWINE KNIFE BOLT	80
PLU0035136	PLUG, SPRING	20	RS33110851	DOUBLE KNOTTER NUT	80
PLU0051056	2-1/4 CHROME BUTTON HEAD PLUG	146	RS33112051	NUT, FOR KNIFE ARM PIN	80
PLU0506009	PLUG, STAY DOOR	28	SCR3001592	SCREEN 3" SUCTION	126
PMP0000003	AUTO LUBER PUMP	96	SEL00000028	SEAL KIT FOR VLV0000015	124
PMP0022226	LEFT HAND PUMP	46	SEL00000044	SEAL KIT FOR VLV0000044	124
PMP1111002	PUMP CONTROLLER	108	SEL00000045	SEAL KIT FOR VLV0000045	124
PMP3301972	DUAL PUMP, MAIN	108	SEL00000049	SEAL KIT FOR VLV0000049	124
PPE0000750	3/4 CLOSE NIPPLE BLACK STEEL	126	SEL00000051	SEAL KIT FOR VLV0000051	124
PPE0001000	1" CLOSE NIPPLE BLACK STEEL	126	SEL00000059	SEAL KIT FOR VLV0000059	124
PPE0500250	BUSH	96	SEL00000063	SEAL KIT F/VLV0000063	124
PPE1250300	BLK PIPE NIPPLE	92	SEL0000KT4	SEAL KIT	138
PPE2001500	BUSH	126	SEL0001143	ROD SEAL	134
PUL0000001	PULLEY	74, 102, 104	SEL0001505	SEAL KIT F/CYL0000205	140
RAL0023318	SERVICE LADDER HANDRAIL ASSY.	34	SEL0002006	SEAL KIT	110, 114
RAL0024152	SIDE RAIL ASSEMBLY	34	SEL0003006	SEAL KIT-RELIEF VALVE CARTRIDGE	110
RAL0024153	REAR RAIL ASSEMBLY	34	SEL0010006	SEAL KIT- VALVE CARTRIDGE	110
REL0000332	RELAY SPDT	130	SEL0017006	SEAL KIT-COUNTERBALANCE VALVE	110
RET0023770	PLUNGER CYL GLAND RETAINER	132	SEL0019006	SEAL KIT-LOGIC VALVE CARTRIDGE	110
RET0023771	RETAINER, TWINE BALL	28	SEL0024785	SEAL KIT FOR CYL0024785	134
RNG0000045	O-RING- MECHANICAL DRIVE PUMP	108	SEL0033772	GREASE SEAL	146
RNG0002219	O-RING VITON 90 DURO	132	SEL0034823	SEAL F/HUB	52
RNG0002230	WEAR RING	134	SEL0047311	SEAL KIT	96
RNG0004914	PISTON RING	132	SEL0061234	REAR SEAL KIT	108
RNG0023161	THRUST RING	62	SEL0061236	FRONT SEAL KIT	108
RNG0023420	O-RING VITON	132	SEL0149223	GREASE SEAL F/SLV0149918	48
RNG0030107	WEAR RING	134	SEL0600652	SEAL KIT	108
RNG0149396	RETAINING RING F/SLV0149918	48	SELOT3516	SEAL KIT F/CYL0TC3516	136
RNG0170012	SEALING RING	44	SGN0024006	SIGN #2 SMV PLASTIC	144
RNG0175048	SEAL RING	44	SHD0020822	SHIELD-10 POST JUNCBLOCK	130
RNG0367718	RING	44	SHD0023286	TOP LEFT SHIELD	24
RNG0367720	SETTING RING	44	SHD0023287	TOP RIGHT SHIELD	24
RNG0702100	RETAINING RING	44	SHD0023373	LEFT FAN SHIELD	130
RNG5160175	EXTERNAL SNAP RING	46	SHD0023375	RIGHT FAN SHIELD	130
ROD0000160	RH ROD END YOKE SIDE	74	SHD0023399	LOWER RIGHT FRONT SHIELD	26
ROD0000600	ROD END L	98	SHD0023412	DRIVE UNIT TOP SHIELD	32



## PARTS INDEX CONT.

Part No.	Description	Page No.	Part No.	Description	Page No.
SHD0023422	MAIN SHEAVE BOTTOM SHIELD	32	SPC0016659	P/UP LIFT SPRING ANCHOR SPACER	54
SHD0023440	FLYWHEEL FRONT SHIELD BOTTOM	48	SPC0017429	SPACER - HEAT EXCHANGER	130
SHD0023442	SHEAVE FRONT LOWER SHIELD	32, 58	SPC0021489	CLEVIS PLT SPACER	36
SHD0024071	LOWER LFT FRT SHD-A/11-90	26	SPC0023370	SPACER-HEAT EXCHANGER	130
SHD0026246	FLYWHEEL FRT SHD TOP ASSY	48	SPC0023696	PLUNGER CYL TRUNION SPACER	132
SHD0027342	RIGHT P/U SHIELD	54	SPC0024097	PICKUP LIFT MNT SPACER	58
SHD0027343	LEFT P/U SHIELD	54	SPC0025340	MNTD WINDGRD SPG SPACER/SLIDER	50
SHD0032078	LEFT REAR SHIELD	24	SPC0025812	CHAIN ANCHOR SPACER	18
SHD0032079	RIGHT REAR SHIELD	24	SPC0028022	ALTERNATOR SPACER	46
SHD0096569	STAY, SHIELD DOOR	28	SPC0034397	FEEDER BEARING SEAL SPACER	62
SHD0234050	TOP FRONT SHIELD, LEFT	32	SPC0035139	TWINE TENSIONER SPACER	106
SHD0234051	TOP FRONT SHIELD, RIGHT	32	SPC036451A	KNOTTER DRIVE IDLER SPACER	94
SHD0235000	LHDRV UNIT DUST SHD	32	SPC036711A	DOUBLE KNOTTER SPACER 3/16"	78
SHD0235001	R.HDRIVE UNIT DUST SHD	32	SPC0506402	SPACER, KNOTTER FANS	30
SHD0235051	R.HDRV UNIT SHIELD ASB	32	SPG0000090	90 LB GAS SPRING	30
SHD0235080	LHSHEAVE DUST SHIELD	32	SPG0010555	BRAKE ACTUATING CYLINDER SPRNG	50
SHD0235081	RHSHEAVE DUST SHIELD	32	SPG0011549	RETURN SPRING	114
SHD0237720	LH SIDE DUST SHD ASSY	32	SPG0017462	PICKUP LIFT SPRING	54
SHD0237721	RH SIDE DUST SHD ASSY	32	SPG0023160	SIDE HAY DOG SPRING	8
SHD0237730	L.HREAR DUST SHD ASSY	32	SPG0023737	PLUNGER CYLINDER SPRING	132
SHD0237731	R.HREAR DUST SHD ASSY	32	SPG0025309	WINDGUARD OVERTRAVEL SPRING	50
SHD036133E	UPPER FRONT SHEAVE SHIELD	32	SPG0035137	SPRING, EXT	20
SHD037078E	PTO SHAFT SHIELD -W/DECAL	42	SPG0332185	LEAF SPRING	44
SHD037103E	L.HDRV UNIT SHIELD ASB	32	SPG0750350	COMPRESSION SPRING F/ 1600	106
SHD0502998	SHIELD - PICKUP CLUTCH	54	SPK0000536	SPROCKET	56
SHD0506642	SHIELD, PTO CLUTCH COVER	32	SPK0000554	SPROCKET -	56
SHD2734400	LH P/U SIDE SHIELD SUPT	54	SPK0005023	SPK 1-1/4BORE 1/4	56
SHD2734401	RH P/U SIDE SHIELD SUPT	54	SPK0005035	SPK 1-1/4BORE 1/4	56
SHD5076881	LH P/U BACKING SHIELD	54	SPK0005041	SPROCKET TAPER LOCK	56
SHD5076890	RH P/U BACKING SHIELD	54	SPK0017769	P/UP DRIVE SPROCKET	56
SHF0023127	FEEDER CRANK SHAFT	60, 70	SPK0028041	FEED FORK SPROCKET	64, 72
SHF0023128	CRANK SHAFT	62	SPK0035580	DOUBLE KNOTTER SPROCKET	94
SHF0023129	CRANK SHAFT	62	SPK0041B40	SPK 2-3/16"BORE F/DOUBLE KNOTTER	78
SHF0023130	LEFT BEARING SHAFT	62	SPK0080190	SPROCKET -	70
SHF0023131	RIGHT BEARING SHAFT	62	SPK0080210	SPROCKET	72
SHF0023203	SHAFT ASSY DETAIL( INC5-10 & 16)	62	SPK0080360	SPROCKET	70
SHF0023204	SHAFT ASSY DETAIL( INC 5-11)	62	SPK011536S	IDLER SPRCKET	70
SHF0023255	PRIMARY DRIVE SHAFT	48	SPK0602202	SPROCKET -	70
SHF0025191	P/U REEL SHAFT	52	SPK128012S	IDLER SPOCKET	70, 72
SHF0025234	93" PICKUP DRIVE SHAFT	56	SPK60SDS21	MOTOR DRIVE SPROCKET W/ BSH	94
SHF0035112	SHAFT	20	SPN0017647	P/U WHEEL SPN	52
SHF0035370	SHAFT,LH;C;	64	SPN0023108	WHEEL SPINDLE	146
SHF0035371	SHAFT,RH;C;	64	SQS5002500	SETSCREW	64
SHF0035372	SHAFT	64	STD0000M10	M10 BALL STUD	30
SHF036372D	DRIVE SHAFT;*C; 1592D	100	STD9530331	WHEEL STUD	146
SHF036390D	TWINE TUCKER -	104	STO0025075	OIL COOLER/FAN SHROUD AIR STOP	130
SHF036448B	BOTTOM SLACK PULLER SHAFT	102	STP0002000	STEP COVER-SAFETY WALK	8, 34
SHF036496D	SHAFT,DRIVE	64	STS2500250	SETSCREW	96
SHF036672E	DOUBLE KNOTTER SHAFT	78	SUP0021636	ANCHOR SUPPORT	48
SHM0000103	SHIM-1-3/8"STEEL F/KNOTTER ASSY	74	SUP0022487	FEEDER GUARD SUPPORT	66
SHM0021483	HITCH BALL SHIM	36	SUP0023344	LADDER SUPPORT	34
SHM0022718	FRONT ROLLER SHIM -1590	12	SUP0023357	LOWER RIGHT DOOR SUPPORT	22
SHM0027993	OUTSIDE PLG KNIFE SHIM-A/11-93	12	SUP0023479	LOWER LEFT DOOR SUPPORT	22
SHM0027994	OUTSIDE PLG KNIFE SHIM-A/11-93	12	SUP0216270	LH FLYWHEEL FRM MNT SUPT-AF/87	6
SHM0028130	PLNGR ROD END SHIM (.015)	10	SUP0216271	RH FLYWHEEL FRM MNT SUPT-AF/87	6
SHM0028363	PLNGR ROD END SHIM (.032)	10	SUP0233770	LEFT OIL COOLER FAN MTR MOUNT	130
SHM0226040	16 GA CENTER KNIFE SHIM	12	SUP0233771	RIGHT OIL COOLER FAN MTR MOUNT	130
SHM0226041	30 GA CENTER KNIFE SHIM	12	SUP036360D	L.HNEEDLE YOKE PIVOT SUPRT	74
SHM036712A	DOUBLE KNOTTER SHIM-22GA	78	SUP036361D	RH NEEDLE YOKE PIVOT SUPRT	74
SHM037359A	FLYWHEEL BRG SHIM-16GA	48	SUP036464B	BTM SLACK PULLER SHFT SUP BKT	102
SHM037360A	FLYWHEEL BRG SHIM-30GA	48	SUP037147D	CENTER BEARING SUPPORT	78
SHM037460A	FLYWHEEL BRG SHIM-38GA	48	SUP1763500	LH PICKUP SHIELD SUPPORT	54
SHM037463A	FLYWHEEL BRG SHIM-10GA	48	SUP1763501	RH PICKUP SHIELD SUPPORT	54
SHR0023365	OIL COOLER SHIELD	130	SUP5061231	RH KNOTTER COVER SUPPORT	30
SHR0023371	OIL COOLER FAN SHROUD	130	SUP5061240	LH KNOTTER COVER SUPPORT	30
SHV0000079	SHEAVE	46	SWI0000824	SWITCH - LIQUID LEVEL	126
SHV0000080	FLYWHEEL & DRIVE SHEAVE	46	SWI0005079	LIMIT SWITCH -4 POST	72
SHV0000250	SHEAVE	46	SWI0005079	LIMIT SWITCH -4 POST	98
SLV0018935	SHOCK BUSHING BOLT SLEEVE	64	SWI0CH5079	SWITCH, LIMIT	64
SLV0149918	SLEEVE	48	SWI0CH5081	LIMIT SWITCH -4 POST LS-13	74
SMS0005393	LUG BOLT	52	TBE0023717	TUBE-FRONT TENSION RETURN	120, 122
SOK0000001	METAL BALL SOK END FITTING	30	TBE0023718	TUBE-FRONT TENSION PRESSURE	120, 122
SOK0012063	SOCKET-7 CONDUCTOR	32	TBE0023719	TUBE-FRONT TENSION PILOT	108, 120, 122
SPC0016465	TWINE GUIDE COVER SPACER	28	TBE0024975	TUBE-PLUNGER VALVE	108, 112

## PARTS INDEX CONT.

Part No.	Description	Page No.	Part No.	Description	Page No.
TC 000004C	TUBE ASSEMBLY	138	VLV1592CBE	COUNTER BALANCE VALVE	114
TC 000004E	HEAD	138	VLV1592CBG	COUNTER BALANCE VALVE	114
TC 000004O	HEAD O-RING ASSEMBLY	138	VLV1730401	VALVE-KNOTTER/FEED COMPLETE	114
TC 000004V	PISTON	138	VLVCBGYLHV	COUNTERBALANCE VALVE	110
TC 000035C	TUBE ASSEMBLY	136	VLVCOFAXAN	RELIEF VALVE	108
TC 000035E	HEAD	136	VLVCOHBFV	PILOT CLOSE CHECK CARTRIDGE	110
TC 000035P	CLEVIS PIN	136	VLVCFXFCN	RELIEF VALVE	108
TC 000035S	SHAFT ASSEMBLY	136	VLVCXHAXCV	CHECK VALVE CARTRIDGE	110
TC 000035V	PISTON	136	VLVLKFCXDV	LOGIC CARTRIDGE #5	110
TC 00004RW	ROD WIPER	138	VLVLKJCXDV	LOGIC VALVE CARTRIDGE	110
TC 00004SC	SET SCREW	138	VLVNCCBLV	NEEDLE VALVE CARTRIDGE	110
TC 00004SO	SMALL O-RING	138	VLVRPECLQV	RELIEF VALVE CARTRIDGE	110
TC 00004UP	PISTON PACKING ( SET)	138	VLVRPGCLCV	RELIEF VALVE CARTRIDGE	110
TC 00004US	SHAFT PACKING	138	WHL0401530	WHL/TIR ASSY 4 X 8	52
TC 00035RW	ROD WIPER	136	WHL0412530	WHEEL-8 X 3.75(4 ON 4)P/U	52
TC 00035SC	SET SCREW	136	WHL1029201	WHEEL	146
TC 00035SO	SMALL O-RING	136	WIP0022693	SWITCH CAM WIPER	12
TC 00035US	SHAFT PACKING	136	WIP0110023	ROD WIPER	134
TC 00035VP	PISTON PACKING	136	WLG0000001	KNOTTER TWINE GUIDE PLATE	82
TC0000035P	CLEVIS PIN	8	WLG0000002	KNOTTER STOP SPRING	82
TEB0472102	2 POST TERMINAL BLOCK	126, 130	WLG0000003	SPRING, STOP	82
TEB0472110	10 POST TERMINAL BLOCK	130	WLG0000005	KNOTTER ANGLE SPRING	82
THM001592D	THERMOSTAT, PROBE TYPE-1592D	126	WLG0000006	KNOTTER TWINE PULLER SPRING	82
THM0714326	220F TEMP WIRING HARNESS	126	WLG0001063	PIN, EXPANDING	82
TIN0231340	LHFEED CRANK TINE	60	WLG0001064	HEX BOLT	82
TIN0231341	RHFEED CRANK TINE	60	Y01F-0432	COTTER PIN	76
TIR0000001	TIRE/WHEEL, WHITE	146	Y088307.5	BEARING, SELF ALIGNING	64
TIR0004008	TIRE F/1500 P/U(400X8 4 PLY)	52	Y161248.1	MACH BUSHING	82
TIR0199128	TUBE F/TIR4008	52	Y435242.62	RING RETAINING EXT	64
TIR2312610	TIRE-TITAN	146	YOK0024007	YOKE WLDMT,CHMR	6
TNG0025604	FRONT TONGUE ASSEMBLY	6	YOK0174039	INBOARD YOKE F/DRV389774 1-3/4	38
TNK037723E	TANK, HYDRAULIC OIL	126	YOK036353E	NEEDLE YOKE ASSEMBLY	74
TNS0022468	TOP TENS RAIL COMPRESSION BEAM	8	ZZ 0000103	ZERK	36, 62
TNS0025988	SIDE TENSION RAIL	8	ZZ 0000104	ZERK	48
TNS0028067	RAIL WLDMT,TOP	8	ZZ 0000105	ZERK	48
TNS0035148	TWINE ROLLER TENSIONER ASSY	102, 104, 106	ZZ 0000107	ZERK	48
TNS2287200	LEFT COMPRESSION BEAM	8	ZZ 0000203	MACHINE BUSHING	62
TNS2287201	RIGHT COMPRESSION BEAM	8	ZZ 0000219	MACHINE BUSHING	52
UBL1375225	U-BOLT	102	ZZ 0000238	MACHBSNG	146
VLV0000015	1592 TENSION CAVITY PLUG	124	ZZ 0000403	KEY	96
VLV0000026	RELIEF VALVE CARTRIDGE	114	ZZ 0000406	KEY	56
VLV0000034	RELIEF VLV CART,53GPM,6000 PSI	68, 108	ZZ 0000406	KEY	56
VLV0000035	VALVE SUBPLATE,	68, 109	ZZ 0000406	KEY	56
VLV0000044	DIRECTIONAL VALVE F/ MNF036773D	124	ZZ 0000432	KEY	70
VLV0000045	DIRECTIONAL VALVE, NC	124	ZZ 0000438	KEY	56
VLV0000049	SPOOL VALVE, 2 WAY,NO,10 VDC	124	ZZ 0000451	KEY	48
VLV0000051	CHECK VALVE CARTRIDGE, 5 PSI	124	ZZ 0000451	KEY	62
VLV0000053	SPOOL VALVE CARTRIDGE	124	ZZ 0000453	KEY	62
VLV0000055	VALVE ADJUSTING KNOB KIT	124	ZZ 0000454	KEY	56
VLV0000056	DIRECTIONAL VALVE CARTRIDGE, NC	124	ZZ 0000458	KEY	70
VLV0000059	RELIEF VALVE	124	ZZ 0000705	ROLL PIN	54
VLV0000062	SOLENOID VALVE 4 WAY 3 POS 12VDC	68, 110	ZZ 0000715	ROLL PIN	52
VLV0000063	TENSION CONTROL VALVE	124	ZZ 0000728	ROLL PIN	10
VLV0000064	TENSION VALVE CARTRIDGE	124	ZZ00000105	ZERK	64
VLV0000416	VALVE-RESERVOIR	114	ZZ00000118	ZERK DRIVE STR	74
VLV0000453	CHECK VALVE	108	ZZ00000403	KEY	46
VLV0006001	VALVE 1" BALL BRASS	126	ZZ00000410	KEY	82
VLV0013120	PLUNGER CYLVALVE ASSY COMP.	108, 110	ZZ00000438	KEY	46
VLV0017304	FEEDER VALVE MANIFOLD BODY	114	ZZ00000456	KEY	64
VLV0028071	PLUNGER CYLVALVE W/O FITTINGS	110	ZZ00000456	KEY	72
VLV0075005	CHECK VALVE	126	ZZ00000500	NUTSERT	130
VLV046J515	VALVE	114	ZZ00002004	SET COLLAR 1-1/2" STEEL	100
VLV1312000	PLUNGER CYLVALVE BODY	110	ZZ00002004	SET COLLAR 1-1/2" STEEL	104
VLV1312YCF	DUMP VALVE	108	ZZ00020002	SET COLLAR	78

INTENTIONALLY BLANK



To find a dealer in your area,  
Call: 503-625-2560,  
Fax: 503-625-7269, or

Visit our website: <http://www.alliedsystems.com>

**Allied Systems**  
C O M P A N Y

PB01592D11 2/12  
Printed in USA