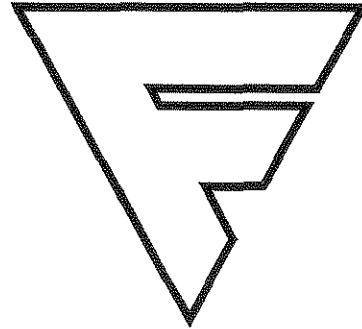


FREEMAN



PARTS MANUAL
1592D
BIG BALER

SAFETY

Allied Systems Co. is greatly concerned with safety. The Freeman Equipment is furnished with safety features. Even with these safety features, personal injury can still occur if the operator is careless, negligent or thoughtless when maintaining, lubricating, operating, unclogging, or servicing the machine.

Your Freeman Equipment has safety shields to help prevent personal injury. Do not operate the machine unless all shields are in place. There are also "CAUTION," "DANGER," and "BE CAREFUL" decals on the machine. Read and pay attention to the decals. Following is a list of precautions that should be taken to help prevent personal injury:

1. **KEEP ALL SHIELDS IN PLACE.**
2. **SHUT OFF TRACTOR ENGINE BEFORE ADJUSTING, LUBRICATING, CLEANING OR SERVICING THE BALER.**
3. **WAIT FOR ALL MOVEMENT TO STOP BEFORE SERVICING BALER.**
4. **KEEP HANDS, FEET, AND CLOTHING AWAY FROM POWER DRIVEN PARTS.**
5. **KEEP ALL SHIELDS INSTALLED AND KEEP CLEAR OF THE P.T.O. DRIVE LINE.**
6. **KEEP ALL OTHERS OFF BALER.**
7. **USE APPROPRIATE SIGNS OR WARNING LIGHTS WHEN OPERATING ON HIGHWAYS.**
8. **MAKE CERTAIN EVERYONE IS CLEAR OF BALER BEFORE ENGAGING P.T.O.**
9. **DO NOT RIDE ON ANY PART OF THE BALER WHILE IN OPERATION.**
10. **KEEP HANDS AND FEET CLEAR OF PICKUP.**
11. **KEEP HANDS AWAY FROM KNOTTER WHEN BALER P.T.O. DRIVE IS ENGAGED.**
12. **PERIODICALLY CHECK ALL NUTS AND BOLTS FOR TIGHTNESS.**
13. **ALWAYS USE LIGHTS FOR NIGHT WORK.**
14. **AS A SAFETY PRECAUTION IT IS RECOMMENDED THAT AN "ABC" FIRE EXTINGUISHER BE CARRIED ON THE BALER AT ALL TIMES. IT IS ALSO RECOMMENDED TO CARRY A FOUR GALLON WATER CONTAINER WITH PUMP, OR AS REQUIRED BY LOCAL AND STATE LAW.**
15. **AVOID LOOSE CLOTHING WHICH CAN EASILY BE CAUGHT IN MOVING PARTS.**
16. **REMEMBER 'SAFETY' IS ONLY A WORD UNTIL IT IS PUT INTO PRACTICE.**



WARNING: SOME ILLUSTRATIONS IN THIS PARTS LIST SHOW THE BALER WITHOUT SHIELDS TO ALLOW FOR A BETTER VIEW OF THE AREA BEING ADDRESSED. THE BALER SHOULD NEVER BE OPERATED WITH ANY OF THE SAFETY SHIELDS REMOVED.

INTRODUCTION

HOW TO USE THE MANUAL

This manual contains illustrations and parts lists of components and assemblies which make up the machine. Each page consists of the name of the assembly or component, a reference number, part number, part name and the quantities of the part used.

Assembly or component names help identify the illustration and parts list for each figure. This name also helps locate the general area of the machine where the assembly or component can be located.

Reference numbers shown in a column refers to the numbered parts in the illustration. This ties the part in the illustration to the part number and description in the parts list.

Part numbers are used to identify individual parts or part assemblies

Part descriptions provide the name of the part, plus additional information such as dimensional specification and what parts are grouped together to form part assemblies, which helps you identify the part(s).

Quantities listed for each illustration are only for that assemble or component and not the total used per machine.

This parts manual is not intended to be a complete guide for machine service or repairs. Contact your dealer for any of your service or technical requirements.

UPDATING AND REORDERING MANUALS

The parts lists, illustrations and specifications in this manual are based on the latest information available at the time of publication. Your machine may have product improvement and options not yet contained in this manual.

A copy of this manual is supplied with each machine. Additional copies are available through your dealer. When ordering additional manuals, use the reorder number listed on the front cover and the quantity needed.

Ordering Parts

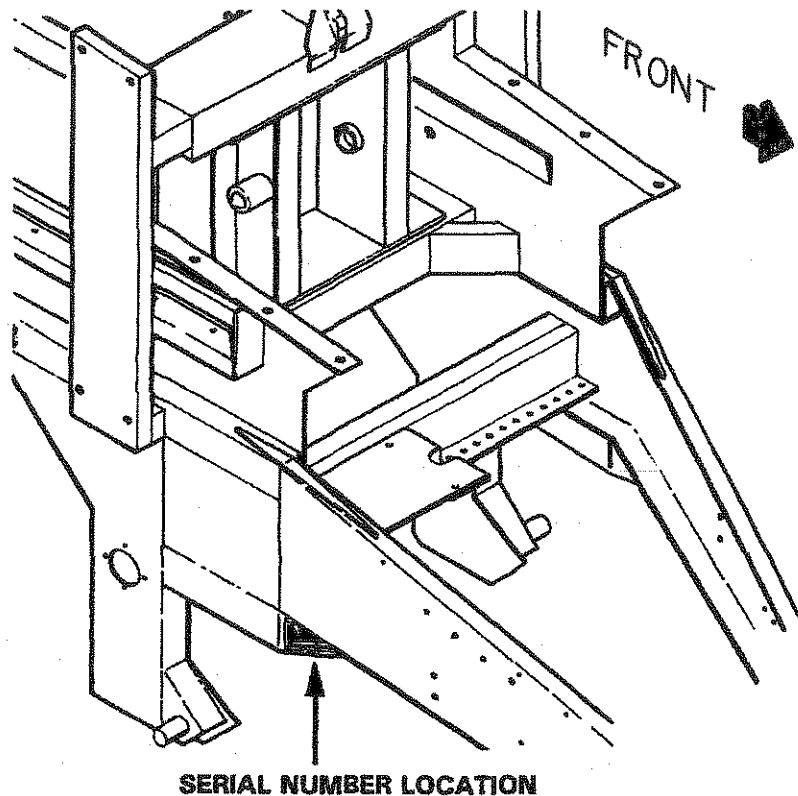
When ordering replacement parts, give the unit serial number, part number, name of part and quantity required. For any further information on parts, service or ordering, consult your local Freeman dealer.

Intentionaly Blank

SERIAL NUMBER LOCATION AND IDENTIFICATION

SERIAL NUMBER LOCATION

The serial number is an important piece of information about the machine and it may be necessary to know it before obtaining correct replacement part. The serial number is located on the right, front tongue brace as shown.



FREEMAN S/N:266 through 635

⚠ WARNING: SOME ILLUSTRATIONS IN THIS PARTS LIST SHOW THE BALER WITHOUT SHIELDS TO ALLOW FOR A BETTER VIEW OF THE AREA BEING ADDRESSED. THE BALER SHOULD NEVER BE OPERATED WITH ANY OF THE SAFETY SHIELDS REMOVED.

NOTE: ILLUSTRATIONS ARE FOR "ORDERING" INFORMATION ONLY, AND ARE NOT INTENDED FOR USE AS AN ASSEMBLY GUIDE.

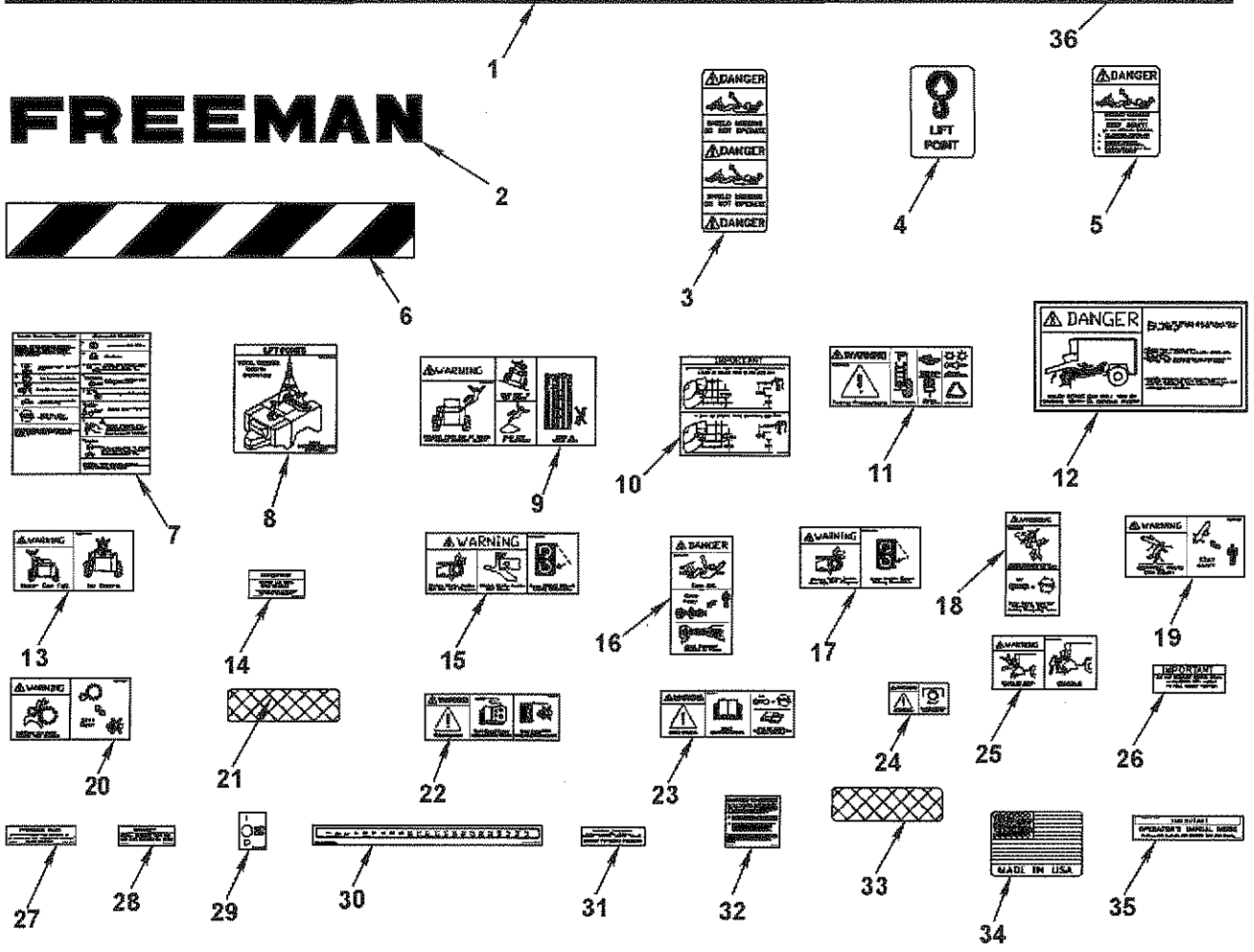
TABLE OF CONTENTS

| | |
|--|-----|
| 3-PIECE P.T.O. DRIVE LINE ASSEMBLY | 48 |
| BALE LENGTH ADJUSTMENT MECHANISM ASSEMBLY | 104 |
| BALL HITCH ASSEMBLY | 42 |
| BATTERY AND LIGHTS ASSEMBLY | 152 |
| CHAMBER LINERS AND PLUNGER EXTENSION FOR 34.5" CHAMBER | 12 |
| CHAMBER LINERS AND PLUNGER EXTENSION FOR 36" CHAMBER | 14 |
| CHAMBER LINERS AND PLUNGER EXTENSION FOR 38" CHAMBER | 16 |
| CONTROL PANEL ASSEMBLY | 146 |
| CONTROL PANEL ASSEMBLY CONTINUED..... | 148 |
| DECAL ASSEMBLY | 2 |
| DECAL LOCATION DIAGRAM | 4 |
| DRIVE UNIT SHIELDS ASSEMBLY | 38 |
| FEED FORK ASSEMBLY | 70 |
| FEED FORK DRIVE ASSEMBLY | 78 |
| FEEDER AND PICKUP DRIVE ASSEMBLY | 76 |
| FEEDER CRANK AND TINES ASSEMBLY | 66 |
| FEEDER CRANK ASSEMBLY | 68 |
| FULL FEED SENSOR ASSEMBLY | 94 |
| HYDRAULIC PICKUP LIFT ASSEMBLY | 64 |
| INFEED CHUTE ASSEMBLY | 72 |
| KNOTTER AND FEED FORK MANIFOLD VALVE/HOSE ASSEMBLIES | 112 |
| KNOTTER BRAKE ASSEMBLY | 82 |
| KNOTTER DOUBLE ASSEMBLY..... | 86 |
| KNOTTER DRIVE | 90 |
| KNOTTER LUBER ASSEMBLY | 88 |
| KNOTTER SHAFT ASSEMBLY | 84 |
| KNOTTER SLOWDOWN MANIFOLD AND CONTROLS | 114 |
| LOWER FRONT SHIELDS ASSEMBLY | 30 |
| LUBER PUMP & TANK ASSEMBLY..... | 92 |
| MAIN FRAME ASSEMBLY | 6 |
| MAIN SYSTEM HOSE ASSEMBLIES | 110 |
| MAIN SYSTEM HYDRAULIC FILTER COMPONENTS | 128 |
| MAIN SYSTEM HYDRAULICS ASSEMBLY | 106 |
| MAKE-UP CYLINDER COMPONENTS | 134 |
| MECHANICAL DRIVE UNIT ASSEMBLY | 52 |
| MECHANICAL DRIVE UNIT ASSEMBLY CONTINUED | 54 |
| NEEDLES AND NEEDLE YOKE ASSEMBLY | 80 |
| OIL COOLING SYSTEMS AND GAUGE PANEL ASSEMBLIES | 130 |
| OPTIONAL ROLLER BALE CHUTE ASSEMBLY..... | 24 |
| P.T.O. CLUTCH ASSY ASSEMBLY | 50 |

TABLE OF CONTENTS

| | |
|--|-----|
| P.T.O. SHAFT ASSEMBLY..... | 44 |
| P.T.O. SHAFT ASSEMBLY | 46 |
| PART INDEX | 155 |
| PICKUP AND FEEDER CONTROL VALVE ASSEMBLY | 74 |
| PICKUP DRIVE COMPONENTS ASSEMBLY | 62 |
| PICKUP LIFT CYLINDER COMPONENTS | 140 |
| PICKUP REEL COMPONENTS ASSEMBLY | 58 |
| PICKUP SHIELDS AND MOUNTS ASSEMBLY | 60 |
| PLUNGER ASSEMBLY | 20 |
| PLUNGER CYLINDER COMPONENTS | 132 |
| PLUNGER CYLINDER VALVE ASSEMBLY | 108 |
| PLUNGER CYLINDERS AND MOUNTS ASSEMBLY | 10 |
| PLUNGER EXTENSIONS FOR 4 DOGS EACH SIDE MODEL..... | 18 |
| PLUNGER LIMIT SWITCHES ASSEMBLY | 144 |
| PLUNGER, FEEDER AND KNOTTER HOSE ASSEMBLIES | 116 |
| REAR CHAMBER AND BALE CHUTE ASSY | 22 |
| REMOTE CONTROL ASSEMBLY..... | 150 |
| RESERVOIR ASSEMBLY | 126 |
| SERVICE LADDER AND HANDRAILS ASSEMBLY | 40 |
| SHIELDS AND DOORS ASSEMBLY | 28 |
| SIDE SHIELDS AND DOOR SUPPORTS ASSEMBLY | 26 |
| SIDE TENSION CYLINDER COMPONENTS | 138 |
| TENSION CONTROL HOSE ASSEMBLIES | 118 |
| TENSION CONTROL TUBE ASSEMBLIES | 120 |
| TENSION RAILS ASSEMBLY | 8 |
| TENSION SYSTEM HOSE ASSEMBLIES | 122 |
| TIRE AND WHEEL ASSEMBLY | 154 |
| TOP AND BOTTOM TENSION CYLINDER COMPONENTS | 136 |
| TOP COVERS AND KNOTTER FANS ASSEMBLY | 36 |
| TOP TWINE BOX ASSEMBLY | 34 |
| TWINE BOXES AND BRACKETS ASSEMBLY | 32 |
| TWINE FINGER DRIVE ASSEMBLY | 96 |
| TWINE TENSION ASSEMBLY (BOTTOM)..... | 98 |
| TWINE TENSION ASSEMBLY (TOP) | 100 |
| TWINE TENSIONER ASSEMBLY | 102 |
| UNLOADER VALVE COMPONENTS | 124 |
| WIND GUARD ASSEMBLY | 56 |
| WIRE HARNESS LOCATIONS | 142 |

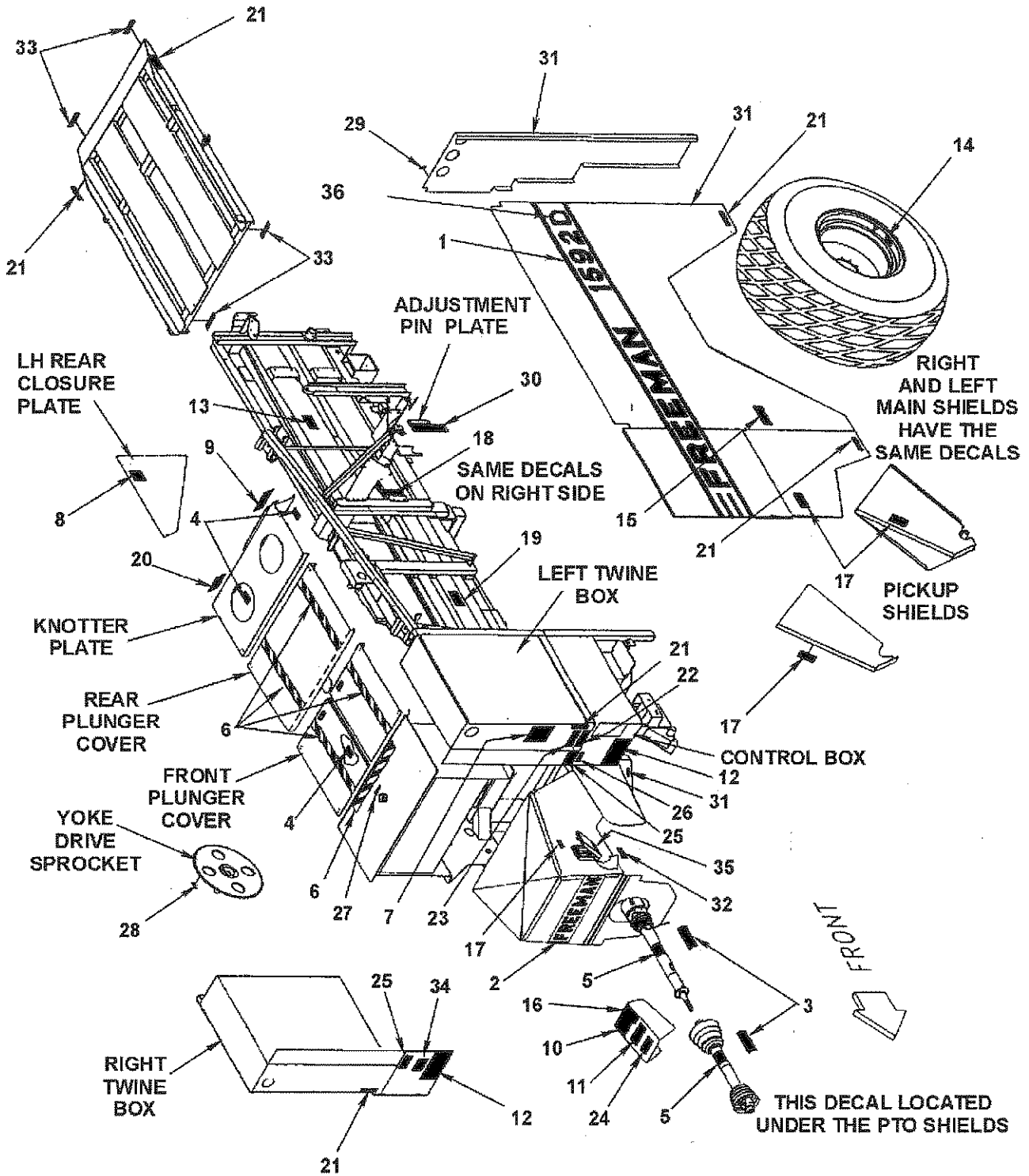
DECAL ASSEMBLY



DECAL ASSEMBLY

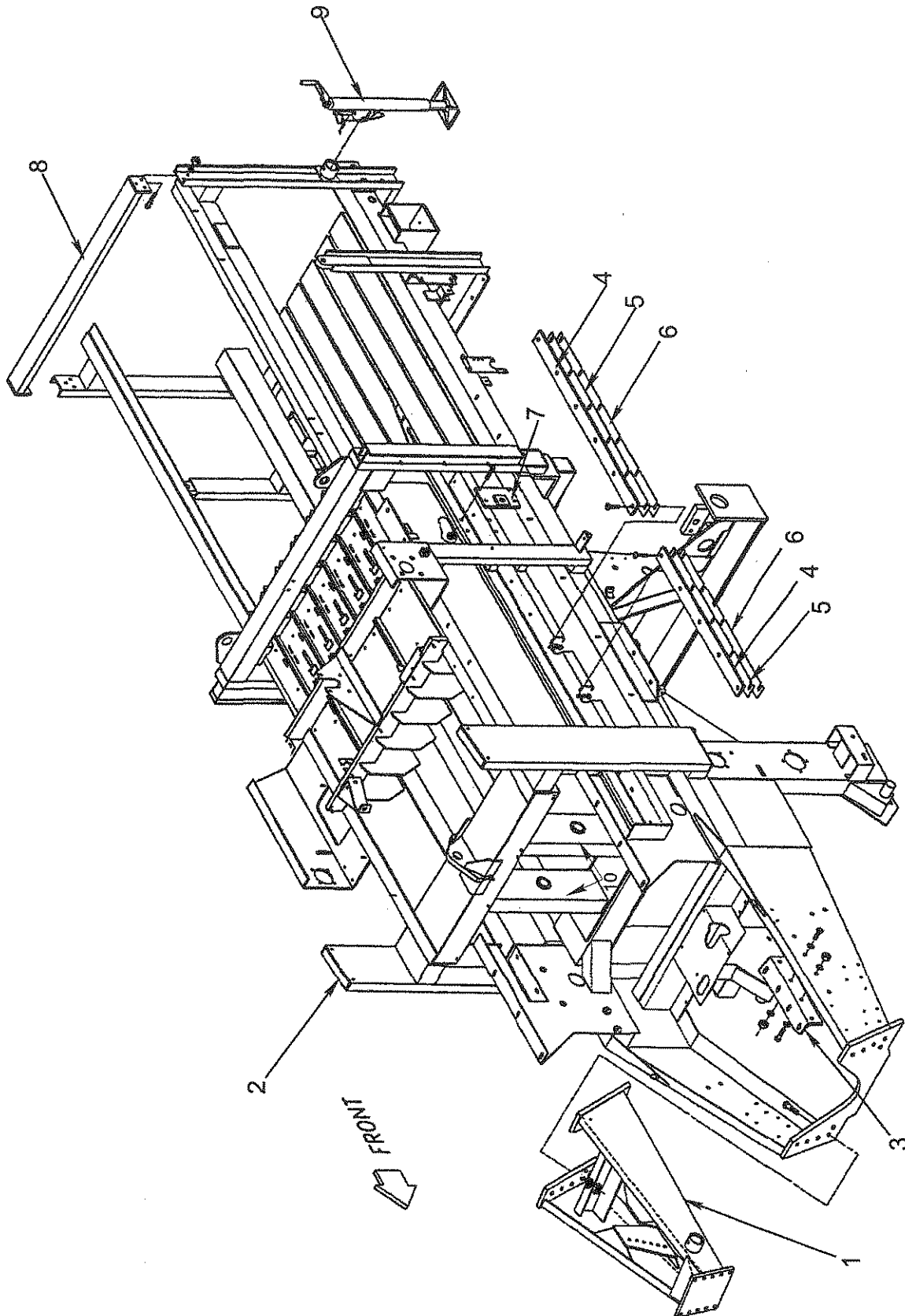
| REF NO. | PART NO. | DESCRIPTION | QTY. USED | REF NO. | PART NO. | DESCRIPTION | QTY. USED |
|---------|------------|--------------------------------|-----------|---------|------------|---------------------------------|-----------|
| 1 | FD 0024865 | L. H. FREEMAN 1592 DECAL | 1 | 18 | FD7000A934 | DECAL-WARNING NEEDLE FRAME | 2 |
| | FD 0024866 | R. H. FREEMAN 1592 DECALS | 1 | 19 | FD7000A923 | DECAL-WARNING FORK CRANK | 2 |
| 2 | FD 0007111 | 25" X 4" WHITE "FREEMAN" DECAL | 1 | 20 | FD7000A936 | DECAL-WARNING KNOTTERS | 2 |
| 3 | FD70000108 | DECAL-KEEP SHIELDS IN PLACE | 2 | 21 | FD70000722 | DECAL-YELLOW REFLECTOR STICKON | 8 |
| 4 | FD70000445 | DECAL-LIFT POINT | 3 | 22 | FD7000A932 | DECAL-WARNING READ MANUAL | 1 |
| 5 | FD 0023531 | "DANGER! ROTATING DEVICE..." | 2 | 23 | FD7000A937 | DECAL-WARNING ALLOW TO STOP | 1 |
| 6 | FD0505626 | DECAL-TAPE BLK/YELLOW 3" | 14' | 24 | FD7000A944 | DECAL-TOWING PRECAUTION | 1 |
| 7 | FD7000A961 | DECAL-SHUTDOWN DIAGNOSTIC | 1 | 25 | FD7000A925 | DECAL-WARNING USE LADDER | 2 |
| 8 | FD 0025249 | DECAL-HOIST BALER-LIFT POINTS | 1 | 26 | FD 0029854 | DECAL-FEEDER CRANK CAUTION | 1 |
| 9 | FD7000A920 | DECAL-DANGER FALLING HAZARD | 1 | 27 | FD7000A943 | DECAL-OIL REQUIREMENT | 1 |
| 10 | FD7000A952 | DECAL-DRAWBAR HITCH | 1 | 28 | FD 0028042 | DECAL-SPROCKET ORIENTATION | 1 |
| 11 | FD 0023537 | "CAUTION! OPERATE AT 1000 RPM | 1 | 29 | FD7001A948 | DECAL-FAN SWITCH | 1 |
| 12 | FD7000A897 | DECAL-DANGER BALER INTAKE | 2 | 30 | FD 0022521 | BALE LENGTH ADJ DECAL | 1 |
| 13 | FD 0023538 | "WARNING! DO NOT RIDE ON..." | 1 | 31 | FD 0022124 | DECAL, PATENT NUMBERS-HAY EQUIP | 1 |
| 14 | FD 0023951 | DECAL LUG NUT | 2 | 32 | FD7000A983 | DECAL-NOTICE TO OWNER | 1 |
| 15 | FD7000A933 | DECAL-WARNING MOVING, CRUSH | 2 | 33 | FD70000170 | DECAL-RED REFLECTOR | 4 |
| 16 | FD7000A919 | DECAL-WARNING DRIVELINE | 1 | 34 | FD70000434 | DECAL-MADE IN USA | 1 |
| 17 | FD7000A896 | DECAL-WARNING MOVING PARTS | 6 | 35 | FD7000A938 | DECAL-READ OPERATORS MANUAL | 1 |
| | | | | 36 | FD0037145B | "D" DECAL | 2 |

DECAL LOCATION DIAGRAM



DECAL LOCATION DIAGRAM

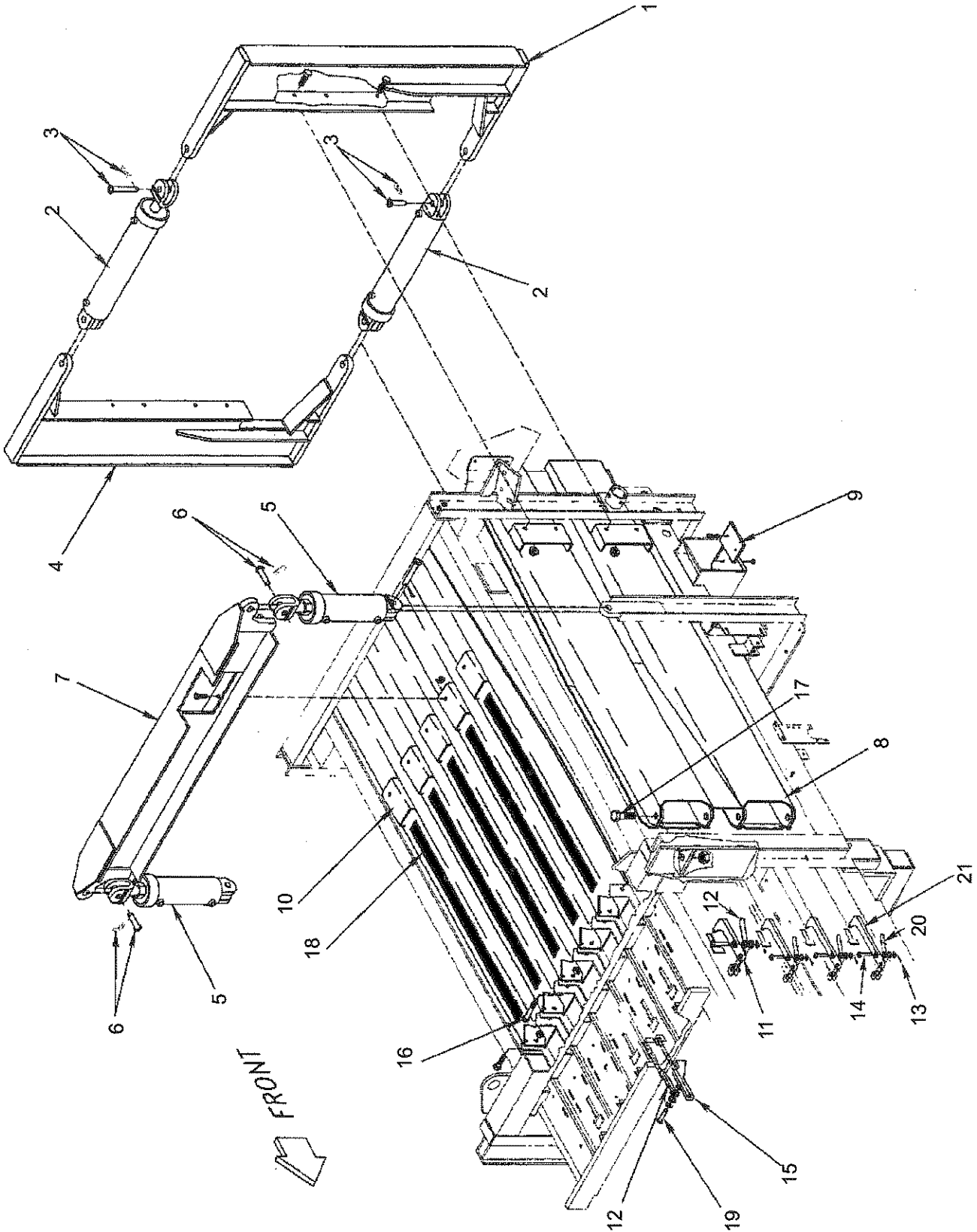
| REF NO. | PART NO. | DESCRIPTION | QTY. USED | REF NO. | PART NO. | DESCRIPTION | QTY. USED |
|---------|------------|--------------------------------|-----------|---------|------------|--------------------------------|-----------|
| 1 | FD 0024865 | L. H. FREEMAN 1592 DECAL | 1 | 18 | FD7000A934 | DECAL-WARNING NEEDLE FRAME | 2 |
| | FD 0024866 | R. H. FREEMAN 1592 DECALS | 1 | 19 | FD7000A923 | DECAL-WARNING FORK CRANK | 2 |
| 2 | FD 0007111 | 25" X 4" WHITE "FREEMAN" DECAL | 1 | 20 | FD7000A936 | DECAL-WARNING KNOTTERS | 2 |
| 3 | FD70000108 | DECAL-KEEP SHIELDS IN PLACE | 2 | 21 | FD70000722 | DECAL-YELLOW REFLECTOR STICKON | 8 |
| 4 | FD70000445 | DECAL-LIFT POINT | 3 | 22 | FD7000A932 | DECAL-WARNING READ MANUAL | 1 |
| 5 | FD 0023531 | "DANGER! ROTATING DEVICE..." | 2 | 23 | FD7000A937 | DECAL-WARNING ALLOW TO STOP | 1 |
| 6 | FD0505626 | DECAL-TAPE BLK/YELLOW 3" | 14' | 24 | FD7000A944 | DECAL-TOWING PRECAUTION | 1 |
| 7 | FD7000A961 | DECAL-SHUTDOWN DIAGNOSTIC | 1 | 25 | FD7000A925 | DECAL-WARNING USE LADDER | 2 |
| 8 | FD 0025249 | DECAL-HOIST BALER-LIFT POINTS | 1 | 26 | FD 0029854 | DECAL-FEEDER CRANK CAUTION | 1 |
| 9 | FD7000A920 | DECAL-DANGER FALLING HAZARD | 1 | 27 | FD7000A943 | DECAL-OIL REQUIREMENT | 1 |
| 10 | FD7000A952 | DECAL-DRAWBAR HITCH | 1 | 28 | FD 0028042 | DECAL-SPROCKET ORIENTATION | 1 |
| 11 | FD 0023537 | "CAUTION!OPERATE AT 1000 RPM | 1 | 29 | FD7001A948 | DECAL-FAN SWITCH | 1 |
| 12 | FD7000A897 | DECAL-DANGER BALER INTAKE | 2 | 30 | FD 0022521 | BALE LENGTH ADJ DECAL | 1 |
| 13 | FD 0023538 | "WARNING!DO NOT RIDE ON..." | 1 | 31 | FD 0022124 | DECAL,PATENT NUMBERS-HAY EQUIP | 1 |
| 14 | FD 0023951 | DECAL LUG NUT | 2 | 32 | FD7000A983 | DECAL-NOTICE TO OWNER | 1 |
| 15 | FD7000A933 | DECAL-WARNING MOVING,CRUSH | 2 | 33 | FD70000170 | DECAL-RED REFLECTOR | 4 |
| 16 | FD7000A919 | DECAL-WARNING DRIVELINE | 1 | 34 | FD70000434 | DECAL-MADE IN USA | 1 |
| 17 | FD7000A896 | DECAL-WARNING MOVING PARTS | 6 | 35 | FD7000A938 | DECAL-READ OPERATORS MANUAL | 1 |
| | | | | 36 | FD0037145B | "D" DECAL | 2 |



MAIN FRAME ASSEMBLY

| REF NO. | PART NO. | DESCRIPTION | QTY. USED | REF NO. | PART NO. | DESCRIPTION | QTY. USED |
|---------|------------|--------------------------------|-----------|---------|------------|--------------------------------|-----------|
| 1 | TNG0025604 | FRONT TONGUE ASSEMBLY | 1 | 4 | PLG0022713 | PLUNGER ROLLER RAIL | 8 |
| | WAS0000118 | 3/4 A325 STRUCTURAL WASHER-ZP | 1 | 5 | SHM0022727 | REAR ROLLER RAIL SHIM 20GA | A/R |
| | NCH0000750 | 3/4" NC HEX NUT - PLATED | 10 | 6 | SHM0022717 | REAR ROLLER RAIL SHIM 16GA | A/R |
| | SFC0000810 | 3/4 X 3 NF HT CAP SCREW | 10 | | WLK0000375 | 3/8" MEDIUM LOCKWASHER - PLTD | 12 |
| 2 | FRM036504E | MAIN FRAME W/2-PIECE TNG | 1 | | NCH0000375 | 3/8" NC HEX NUT - PLATED | 12 |
| 3 | SUP0216270 | LH FLYWHEEL FRM MNT SUPT-A/87 | 1 | | PWB3751500 | 3/8 X 1-1/2 NC #3 PLOW BOLT-ZP | 12 |
| | SUP0216271 | RH FLYWHEEL FRM MNT SUPT-AF/87 | 1 | 7 | 900239 | MAKEUP CYL MOUNT | 2 |
| | NCH0000625 | 5/8" NC HEX NUT - PLATED | 8 | | NMS0000252 | 1/2" NC WHIZ NUT - PLATED | 8 |
| | WLK0006250 | 5/8" MEDIUM LOCKWASHER-PLAIN | 8 | | SCC0050003 | 1/2 X 1-1/4 NC HT CS - PLATED | 8 |
| | SCC0070006 | 5/8 X 2 NC HT CS - PLATED | 6 | 8 | YOK2400700 | RR FRAME CHAMBER YOKE ASY | 1 |
| | WAS0000010 | #10 HIGH COLLAR LOCKWASHER | 8 | | SCC0040004 | 7/16 X 1-1/2 NC HT CS - PLATED | 6 |
| | SCC0070008 | 5/8 X 2-1/2 NC HT CS - PLATED | 2 | | WLK0004375 | 7/16" MEDIUM LOCKWASHER | 6 |
| | | | | | NCH0000437 | 7/16" NC HEX NUT - PLATED | 6 |
| | | | | 9 | JCK0000205 | BUMPER JACK 9000# | 1 |
| | | | | 10 | DRW035997B | BAR | 2 |

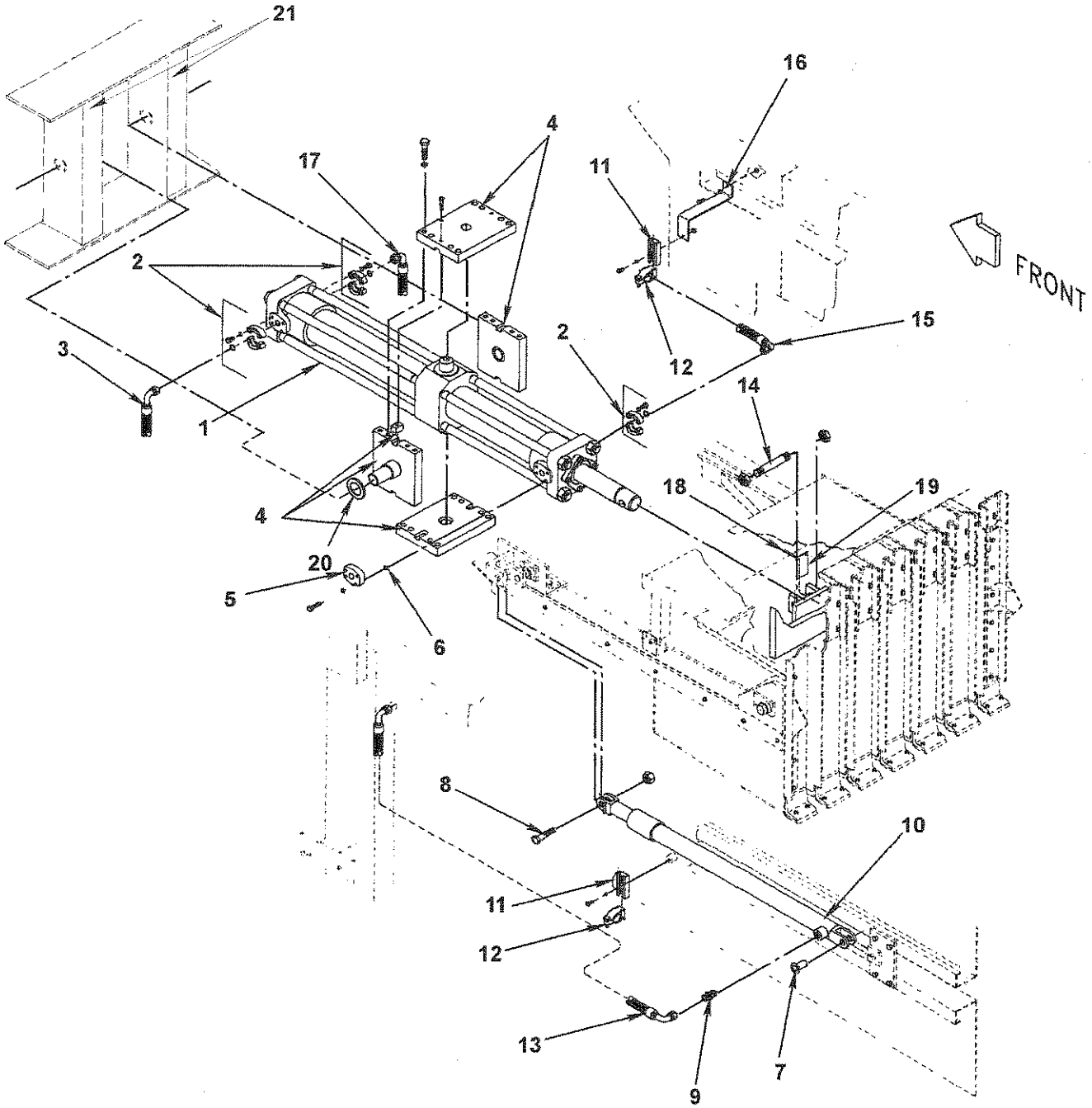
TENSION RAILS ASSEMBLY



TENSION RAILS ASSEMBLY

| REF NO. | PART NO. | DESCRIPTION | QTY. USED | REF NO. | PART NO. | DESCRIPTION | QTY. USED |
|---------|------------|--------------------------------|-----------|---------|------------|------------------------------|-----------|
| 1 | TNS2287200 | LEFT COMPRESSION BEAM | 1 | 10 | TNS0028067 | TOP TENSION RAIL-AF/12/93 | 5 |
| | SCC0050004 | 1/2 X 1-1/2 NC HT CS - PLATED | 4 | | NFE0000625 | 5/8" NF ESNA NUT - PLATED | 2 |
| | NMS0000252 | 1/2" NC WHIZ NUT - PLATED | 4 | | SFC0080706 | 5/8 X 2 NF GR 8 CAP SCREW | 2 |
| 2 | CYL0TC3516 | TC3.5 X 16 HYD CYL - MODIFIED | 2 | 11 | DOG0014820 | CHAMBER DOG | 2 |
| 3 | TC 000035P | CLEVIS PIN | 4 | 12 | SPG0023160 | SIDE HAY DOG SPRING-A/95 | 7 |
| 4 | TNS2287201 | RIGHT COMPRESSION BEAM | 1 | 13 | COT0000503 | 1/8 X 1-1/4 COTTER PIN | 13 |
| | SCC0050004 | 1/2 X 1-1/2 NC HT CS - PLATED | 4 | 14 | CLV0005035 | 1/2X3-1/2 CLEVIS PIN PLN | 8 |
| | NMS0000252 | 1/2" NC WHIZ NUT - PLATED | 4 | | WCT0000500 | 1/2" FLATWASHER - PLATED | 16 |
| 5 | CYL00TC408 | TC4 X 8 HYD CYL-MODIFIED | 2 | 15 | DOG0023159 | TOP CHAMBER DOG | 5 |
| 6 | HYP000FA4P | CLEVIS PIN WITH COTTER PIN | 4 | 16 | TNS0020209 | TOP TEN RAIL CTR PIVOT BOLT | 4 |
| 7 | TNS0022468 | TOP TENS RAIL COMPRESSION BEAM | 1 | | NFE0000625 | 5/8" NF ESNA NUT - PLATED | 4 |
| | SCC0050004 | 1/2 X 1-1/2 NC HT CS - PLATED | 5 | 17 | TNS0022340 | SIDE TENS RAIL PIVOT BOLT | 8 |
| | NMS0000252 | 1/2" NC WHIZ NUT - PLATED | 5 | | NCE0001000 | 1" NC ESNA NUT - PLATED | 8 |
| 8 | TNS0025988 | SIDE TENSION RAIL -AFT/9-92 | 2 | 18 | STP0002000 | STEP COVER-SAFETY WALK 2" | A/R |
| | NCE0000250 | 1/4" NC ESNA NUT - PLATED | 4 | 19 | F 0000220 | HAY DOG PIN (1/2 X 3 CLEVIS) | 5 |
| 9 | LIN0016227 | BEAM SUPPORT WEAR LINER | 2 | | WCT0000500 | 1/2" FLATWASHER - PLATED | 10 |
| | SMF0001003 | 1/4 X 1-1/4 FH MACH SC-PLTD | 4 | 20 | 900179 | SIDE HAY DOG SPRING | 6 |
| | | | | 21 | DOG0018250 | SIDE HAY DOG | 8 |

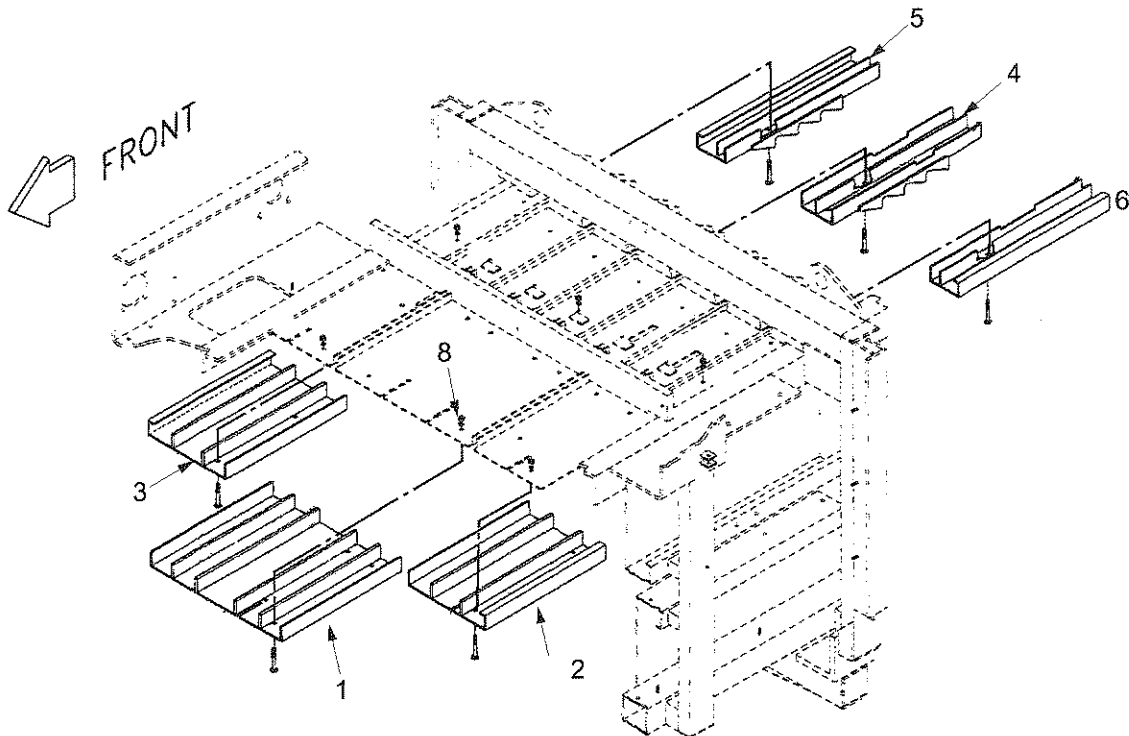
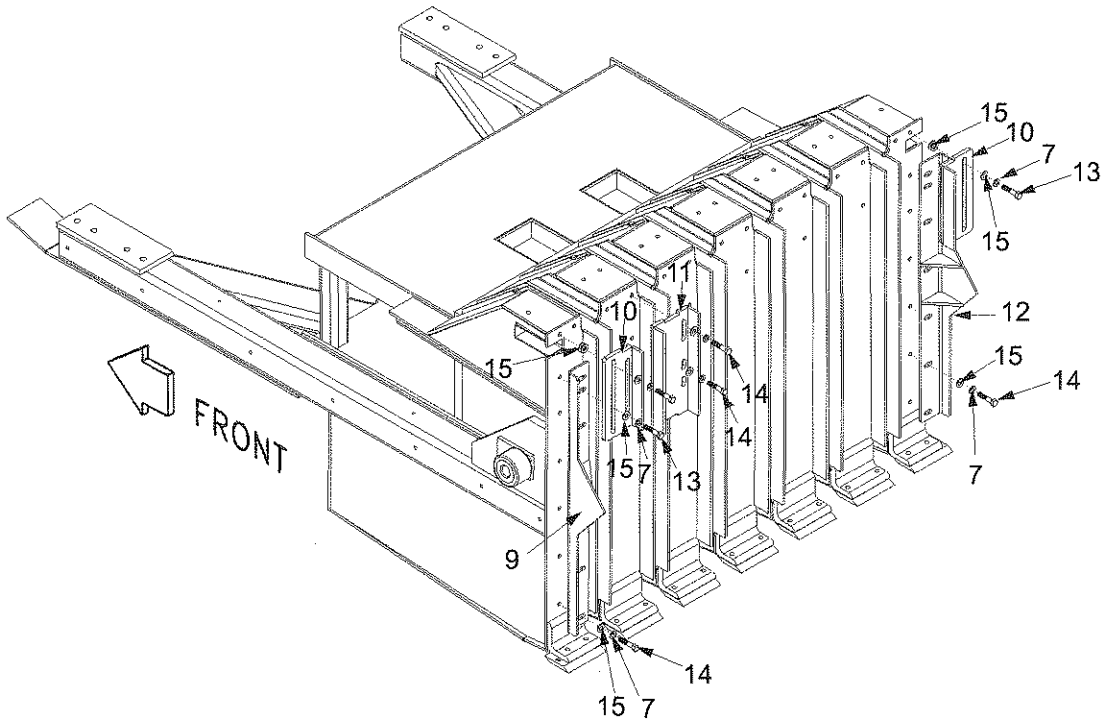
PLUNGER CYLINDERS AND MOUNTS ASSEMBLY



PLUNGER CYLINDERS AND MOUNTS ASSEMBLY

| REF NO. | PART NO. | DESCRIPTION | QTY. USED | REF NO. | PART NO. | DESCRIPTION | QTY. USED |
|---------|------------|--------------------------------|-----------|---------|------------|--------------------------------|-----------|
| 1 | CYL037554E | PLUNGER CYLINDER SUB ASSEMBLY | 1 | 11 | MNT0020255 | CHANNEL | 3 |
| 2 | FLG0001501 | 1"SPLIT FLG W/O-RING &BOLT KIT | 3 | | WLK0000375 | 3/8" MEDIUM LOCKWASHER - PLTD | 3 |
| 3 | HOS0024887 | PLUNGER CYLINDER HOSE | 1 | | SCC0030001 | 3/8 X 3/4 NC HT CS - PLATED | 3 |
| 4 | FRM037556E | GIMBAL FRAME ASSY | 1 | 12 | CLP0100150 | 1-1/2 HYDRA ZORB HOSE CLAMP | 3 |
| | SCC0030006 | 3/8 X 2 NC HT CS - PLATED | 4 | 13 | HOS0023451 | LH MAKE-UP CYL BASE-FDR LEG BH | 1 |
| | WLK0000375 | 3/8" MEDIUM LOCKWASHER - PLTD | 4 | | HOS0023452 | RIGHT MAKE-UP CYL HOSE | 1 |
| | SCC0080009 | 3/4 X 2-3/4 NC HT CS - PLATED | 16 | 14 | PIN0024791 | PLUNGER CYLINDER PIN | 1 |
| | WLK0000750 | 3/4" MEDIUM LOCKWASHER-PLATED | 16 | | NEJ0001125 | 1-1/8" NC ESNA JAM NUT - PLTD | 4 |
| 5 | FLG0001660 | 1" CODE 62 BLIND FLANGE | 1 | 15 | HOS0024889 | PLUNGER CYLINDER ROD END HSE | 1 |
| | SCS0000405 | 7/16 X 1-3/4 NC SOCKET HEAD CS | 4 | 16 | BKT0023474 | MAKE-UP CYL HSE CLAMP BKT | 1 |
| | WAS0000102 | 7/16 HIGH COLLAR LOCKWASHER | 4 | | WLK0000375 | 3/8" MEDIUM LOCKWASHER - PLTD | 1 |
| 6 | F 0006450 | O-RING F/F6269 4-BOLT FLANGE | 1 | | SCC0030001 | 3/8 X 3/4 NC HT CS - PLATED | 1 |
| 7 | HYP FA22P | CLEVIS PIN W/COTTER PIN | 2 | | NCH0000375 | 3/8" NC HEX NUT - PLATED | 1 |
| 8 | PLG0024471 | FRONT MAKE UP CYL MOUNT BOLT | 2 | 17 | HOS0015874 | PLUNGER CYL HOSE-6000PSI | 1 |
| | NCE0001000 | 1" NC ESNA LOCKNUT - PLTD | 2 | 18 | ZZ 0000728 | 1/4 X 1 ROLL PIN | 2 |
| 9 | HYD5205070 | 1" JIC X 1" NPT MALE CONN | 2 | 19 | SHM0028130 | PLNGR ROD END SHIM (.015) | A/R |
| 10 | CYL0024785 | MAKE-UP CYLINDER-AF/8-91 | 2 | | SHM0028363 | PLNGR ROD END SHIM (.032) | A/R |
| | | | | 20 | SPC035999A | GIMBAL FRAME SPACER, | 2 |
| | | | | 21 | DRW035997B | BAR | 2 |

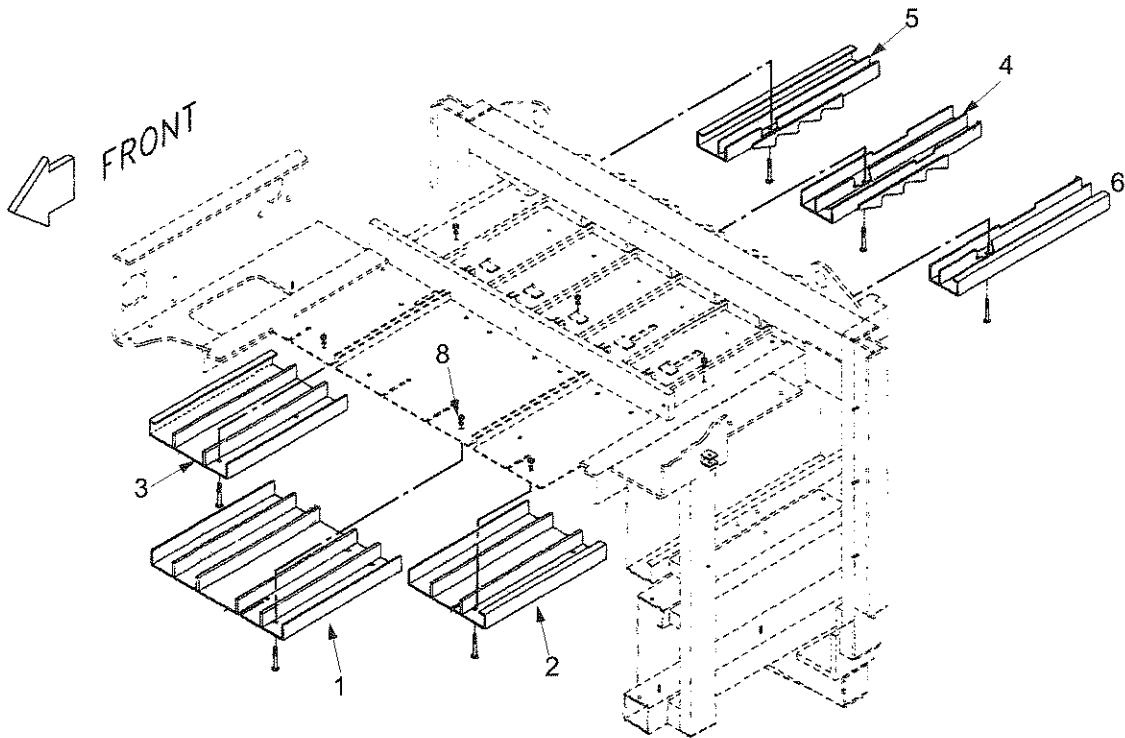
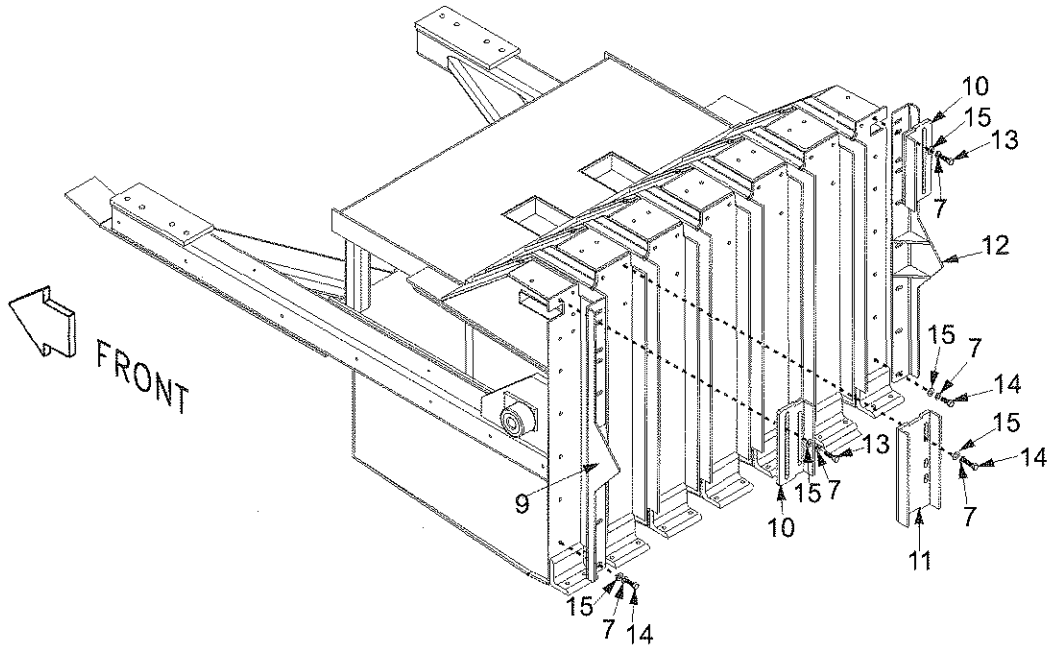
CHAMBER LINERS AND PLUNGER EXTENSION FOR 34.5" CHAMBER



CHAMBER LINERS AND PLUNGER EXTENSION FOR 34.5" CHAMBER

| REF NO. | PART NO. | DESCRIPTION | QTY. USED |
|---------|------------|------------------------------------|-----------|
| 1 | LIN035771D | CTR FNT CHMB LINER-FOR 34.5" | 1 |
| | CRB3754500 | CARRIAGE BOLT,3/8 X 4-1/2 GRD5 | 4 |
| | NMS0000375 | WHIZ NUT NC 3/8 - PLATED | 4 |
| 2 | LIN035768D | L FNT CHMB LINER-FOR 34.5" | 1 |
| | CRB3754500 | CARRIAGE BOLT,3/8 X 4-1/2 GRD5 | 8 |
| | NMS0000375 | WHIZ NUT NC 3/8 - PLATED | 8 |
| 3 | LIN035773D | R FNT CHMB LINER-FOR 34.5" | 1 |
| | CRB3754500 | CARRIAGE BOLT,3/8 X 4-1/2 GRD5 | 4 |
| | NMS0000375 | WHIZ NUT NC 3/8 - PLATED | 4 |
| 4 | LIN035778D | CTR REAR CHMB LINER-FOR 34.5" | 5 |
| | CRB3754500 | CARRIAGE BOLT,3/8 X 4-1/2 GRD5 | 15 |
| | NMS0000375 | WHIZ NUT NC 3/8 - PLATED | 15 |
| 5 | LIN035775D | L REAR CHMB LINER-FOR 34.5" | 1 |
| | CRB3754500 | CARRIAGE BOLT,3/8 X 4-1/2 GRD5 | 3 |
| | NMS0000375 | WHIZ NUT NC 3/8 - PLATED | 3 |
| 6 | LIN035780D | R REAR CHMB LINER-FOR 34.5" | 1 |
| | CRB3750275 | CARRIAGE BOLT,3/8 X 2-3/4 GRD5 | 3 |
| | NMS0000375 | WHIZ NUT NC 3/8 - PLATED | 3 |
| 7 | WLK0000375 | 3/8" MEDIUM LOCKWASHER - PLTD | AR |
| 8 | NMS0000375 | WHIZ NUT NC 3/8 - PLATED | AR |
| 9 | PLG036161B | LEFT PLNGR FACE EXT, 34-1/2 CHMB | 1 |
| 10 | PLG036817B | OUTSIDE PLUNGER FACE EXT | 2 |
| 11 | PLG036818B | CENTER PLUNGER FACE EXT | 5 |
| 12 | PLG036163B | RIGHT PLUNGER FACE EXT, 34-1/2" | 1 |
| 13 | SCC0030003 | HEX HD CS 3/8-16 X 1-1/4 - GRADE 5 | 8 |
| 14 | SCC0030002 | HEX HEAD CS 3/8-16 X 1"GRDE 5-PLTD | 30 |
| 15 | WCT0000313 | FLAT WASHER 5/16 -PLATED | AR |

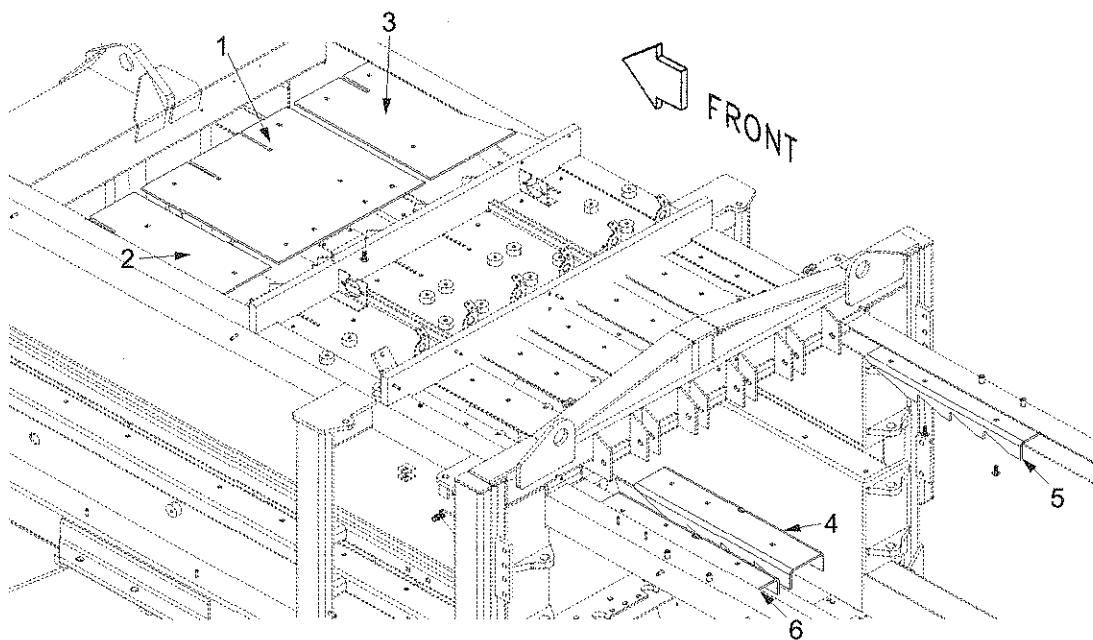
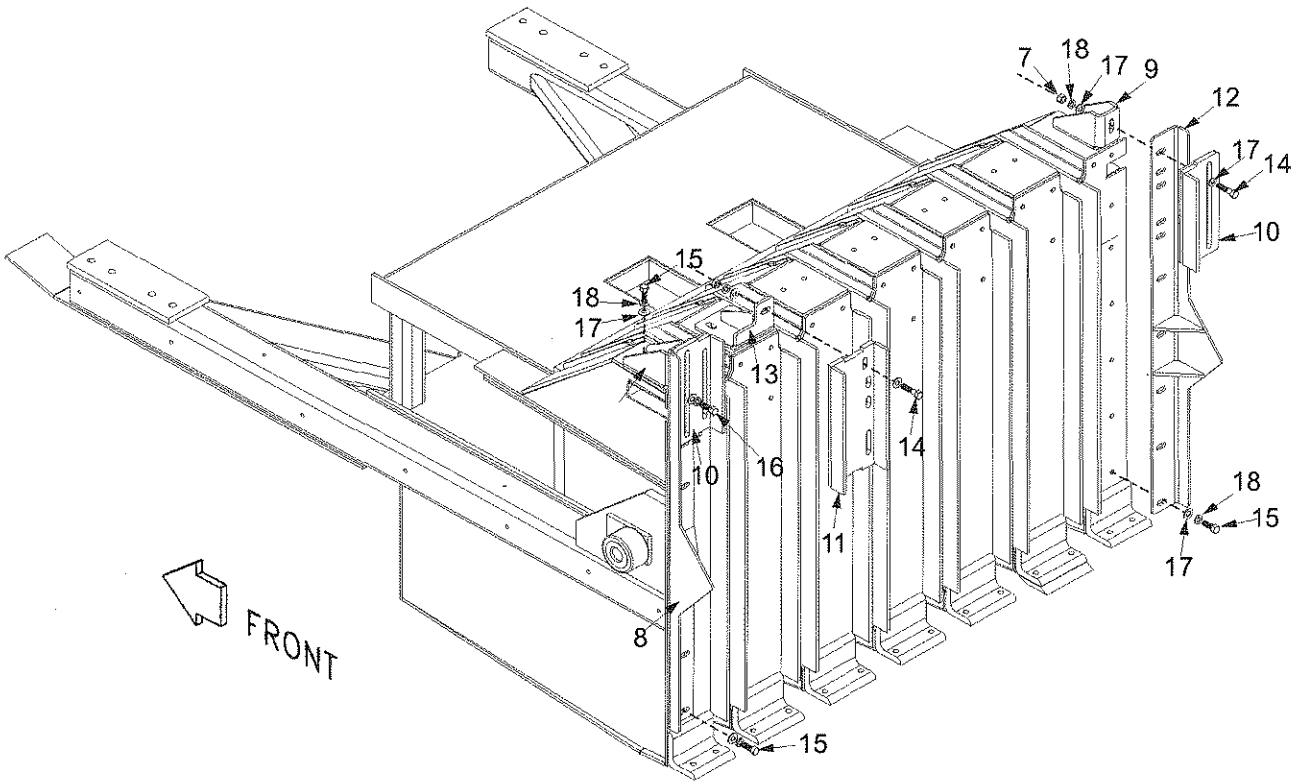
CHAMBER LINERS AND PLUNGER EXTENSION FOR 36" CHAMBER



CHAMBER LINERS AND PLUNGER EXTENSION FOR 36" CHAMBER

| REF NO. | PART NO. | DESCRIPTION | QTY. USED |
|---------|------------|------------------------------------|-----------|
| 1 | LIN0027230 | FRT CTR CHMB LINER PLT-36" C/O | 1 |
| | CRB3750275 | 3/8 X 2-3/4 CARRIAGE BOLT-PLTD | 4 |
| | NMS0000375 | WHIZ NUT NC 3/8 - PLATED | 4 |
| 2 | LIN0027227 | LH CTR CHMB LINER PLT-36" C/O | 1 |
| | CRB3750275 | 3/8 X 2-3/4 CARRIAGE BOLT-PLTD | 8 |
| | NMS0000375 | WHIZ NUT NC 3/8 - PLATED | 8 |
| 3 | LIN0027251 | RH FRONT CHAMBER LINER-36" C/O | 1 |
| | CRB3750275 | 3/8 X 2-3/4 CARRIAGE BOLT-PLTD | 4 |
| | NMS0000375 | WHIZ NUT NC 3/8 - PLATED | 4 |
| 4 | LIN0027232 | CENTER REAR CHMBER LINER-36" C/O | 5 |
| | CRB3750275 | 3/8 X 2-3/4 CARRIAGE BOLT-PLTD | 15 |
| | NMS0000375 | WHIZ NUT NC 3/8 - PLATED | 15 |
| 5 | LIN0027234 | RH REAR CHAMBER LINER -36" C/O | 1 |
| | CRB3750275 | 3/8 X 2-3/4 CARRIAGE BOLT-PLTD | 3 |
| | NMS0000375 | WHIZ NUT NC 3/8 - PLATED | 3 |
| 6 | LIN0027235 | LH REAR CHAMBER LINER -36" C/O | 1 |
| | CRB3750275 | 3/8 X 2-3/4 CARRIAGE BOLT-PLTD | 3 |
| | NMS0000375 | WHIZ NUT NC 3/8 - PLATED | 3 |
| 7 | WLK0000375 | 3/8" MEDIUM LOCKWASHER - PLTD | AR |
| 8 | NMS0000375 | WHIZ NUT NC 3/8 - PLATED | AR |
| 9 | PLG036829B | LEFT PLNGR FACE EXT, 36 CHMB | 1 |
| 10 | PLG036817B | OUTSIDE PLUNGER FACE EXT | 2 |
| 11 | PLG036818B | CENTER PLUNGER FACE EXT | 5 |
| 12 | PLG036831B | RIGHT PLUNGER FACE EXT, 36" | 1 |
| 13 | SCC0030003 | HEX HD CS 3/8-16 X 1-1/4 - GRADE 5 | 8 |
| 14 | SCC0030002 | HEX HEAD CS 3/8-16 X 1"GRDE 5-PLTD | 30 |
| 15 | WCT0000313 | FLAT WASHER 5/16 -PLATED | AR |

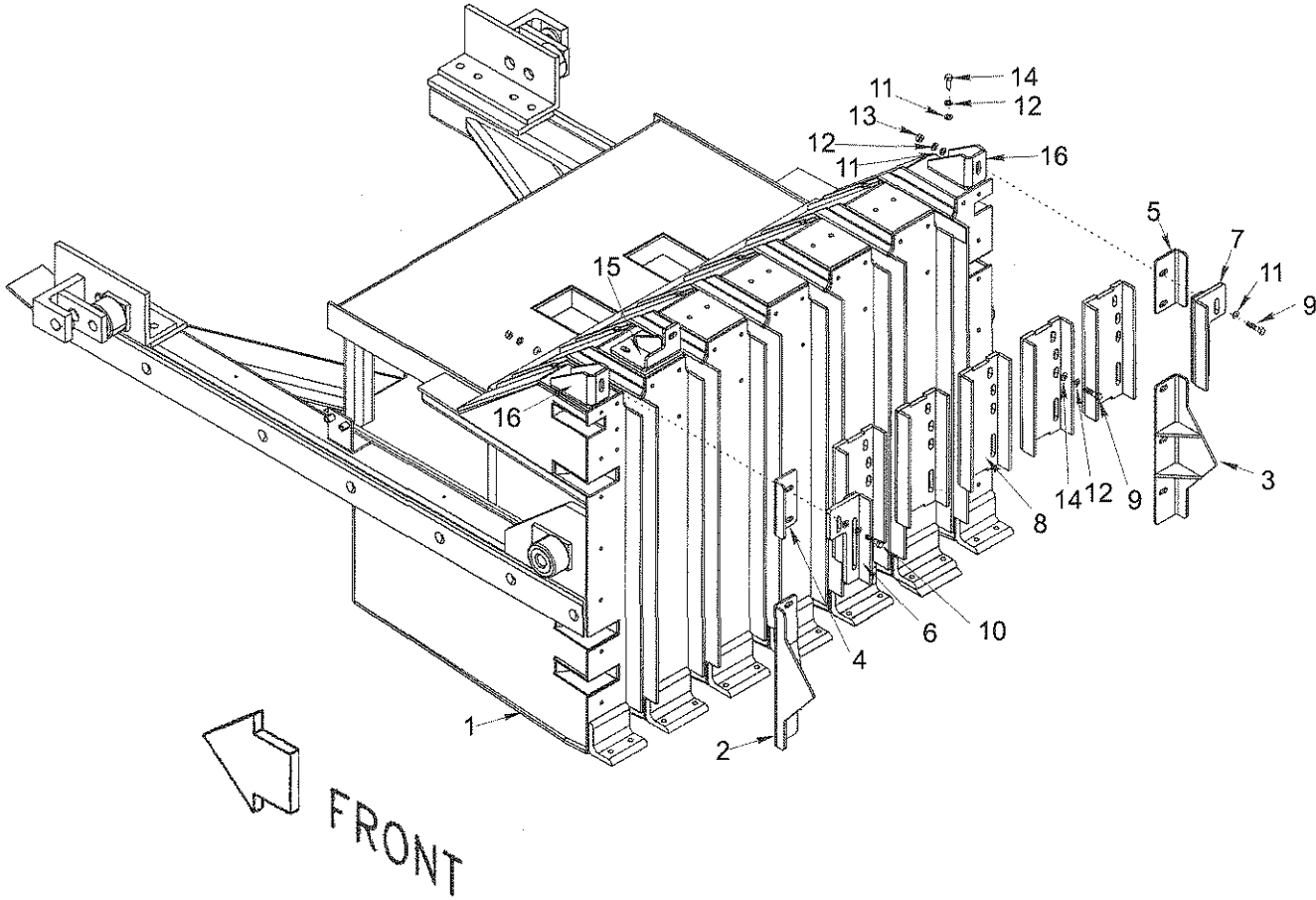
CHAMBER LINERS AND PLUNGER EXTENSION FOR 38" CHAMBER



CHAMBER LINERS AND PLUNGER EXTENSION FOR 38" CHAMBER

| REF NO. | PART NO. | DESCRIPTION | QTY. USED |
|------------|-------------|-----------------------------------|--------------|
| 1 | LIN036840D | CENTER FRONT CHAMBER LINER | 1 |
| | CRB3750100 | CARRIAGE BOLT 3/8-16 X 1 -PLATED | 4 |
| | NMS0000375 | WHIZ NUT NC 3/8 - PLATED | 4 |
| 2 | LIN036839D | LEFT FRONT CHAMBER LINER | 1 |
| | CRB3750100 | CARRIAGE BOLT 3/8-16 X 1 -PLATED | 4 |
| | NMS0000375 | WHIZ NUT NC 3/8 - PLATED | 4 |
| 3 | LIN036841D | RIGHT FRONT CHAMBER LINER | 1 |
| | CRB3750100 | CARRIAGE BOLT 3/8-16 X 1 -PLATED | 4 |
| | NMS0000375 | WHIZ NUT NC 3/8 - PLATED | 4 |
| 4 | LIN037631D | CENTER TOP 38" CHMB LINER | 5 |
| | CRB3750100 | CARRIAGE BOLT 3/8-16 X 1 -PLATED | 15 |
| | NMS0000375 | WHIZ NUT NC 3/8 - PLATED | 15 |
| 5 | LIN037632B | RIGHT TOP 38" CHAMBER LINER | 1 |
| | CRB3750100 | CARRIAGE BOLT 3/8-16 X 1 -PLATED | 3 |
| | NMS0000375 | WHIZ NUT NC 3/8 - PLATED | 3 |
| 6 | LIN037630D | LEFT TOP 38" CHMB LINER | 1 |
| | CRB3750100 | CARRIAGE BOLT 3/8-16 X 1 -PLATED | 3 |
| | NMS0000375 | WHIZ NUT NC 3/8 - PLATED | 3 |
| 7 | NCH0000375 | HEX NUT NC 3/8 - PLATED | 7 |
| 8 | PLG036833B | LEFT PLUNGER FACE EXTENSION | 1 |
| 9 | PLG036821B | OUTSIDE PLUNGER FACE SUPPORT | 2 |
| 10 | PLG036817B | OUTSIDE PLUNGER FACE EXT- | 2 |
| 11 | PLG036818B | CENTER PLUNGER FACE EXT - | 5 |
| 12 | PLG036835B | RIGHT PLUNGER FACE EXTENSION | 1 |
| 13 | PLG036822B | CENTER PLUNGER FACE SUPPORT | 5 |
| 14 | SCC0030004 | HEX CAP SCREW 3/8-16 X 1-1/2" | 7 |
| 15 | SCC0030002 | HEX HEAD CAP SCREW 3/8-16 X 1" | 42 |
| 16 | SCC0030003 | HEX HD CS 3/8-16 X 1-1/4 - PLATED | 6 |
| 17 | WCT0000313 | FLAT WASHER 5/16 -PLATED | AR |
| 18 | WLK0000375 | 3/8" MEDIUM LOCKWASHER - PLTD | AR |

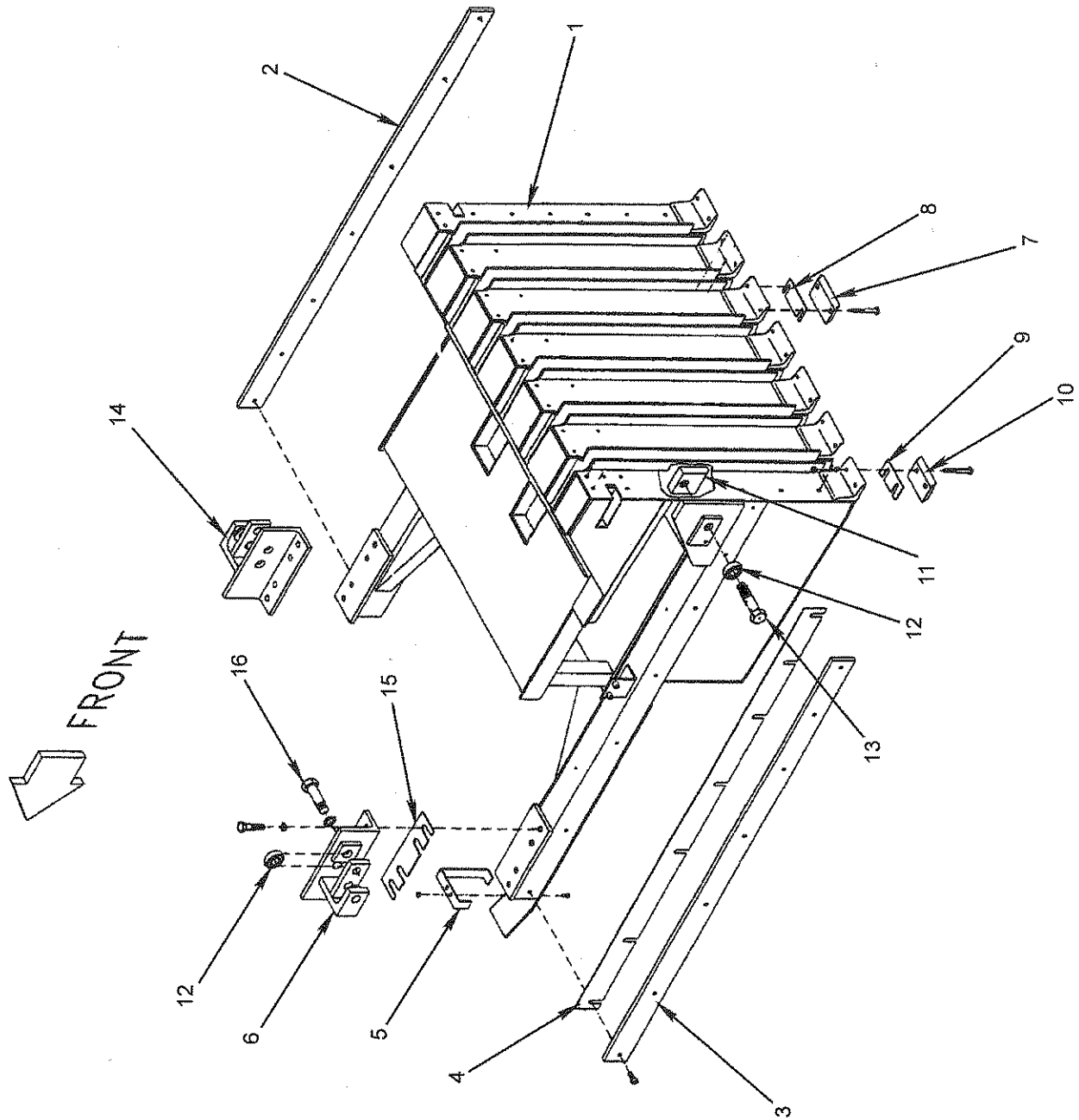
PLUNGER EXTENSIONS FOR 4 DOGS EACH SIDE MODEL



PLUNGER EXTENSIONS FOR 4 DOGS EACH SIDE MODEL

| REF NO. | PART NO. | DESCRIPTION | QTY. USED |
|------------|-------------|-------------------------------------|--------------|
| 1 | 900153 | 34 1/2" SIDE HAYDOG PLUNGER | 1 |
| 2 | PLG037740B | LEFT PLUNGER FACE EXTENSION | 1 |
| 3 | PLG037741B | RIGHT PLUNGER FACE EXTENSION | 1 |
| 4 | PLG037744B | TOP LEFT FACE EXT PLATE 38" ONLY | 1 |
| 5 | PLG037745B | TOP RIGHT FACE EXT PLATE 38" | 1 |
| 6 | PLG037746B | LEFT PLUNGER EXTENSION 36",38" | 1 |
| | PLG036165B | LEFT TOP PLG FACE EXT.34-1/2" ONLY | |
| 7 | PLG037747B | RIGHT PLUNGER EXTENSION 36",38" | 1 |
| | PLG036166B | RIGHT TOP PLG FACE EXT.34-1/2" ONLY | |
| 8 | PLG036818B | CENTER PLUNGER FACE EXTENSION | 5 |
| 9 | SCC0030004 | HEX CS 3/8-16 X 1-1/2" GRADE 5 | AR |
| 10 | SCC0030003 | HD CS 3/8-16 X 1-1/4 - PLATED | 6 |
| 11 | WCT0000313 | FLAT WASHER 5/16 - PLATED | AR |
| 12 | WLK0000375 | 3/8" MEDIUM LOCKWASHER - PLTD | AR |
| 13 | NCH0000375 | HEX NUT NC 3/8 - PLATED | 7 |
| 14 | SCC0030002 | HEX HEAD CS 3/8 X 1" GRD 5-PLTD | AR |
| 15 | PLG036822B | CENTER PLUNGER FACE SUPPORT | 5 |
| 16 | PLG036821B | OUTSIDE PLUNGER FACE SUPPORT | 2 |

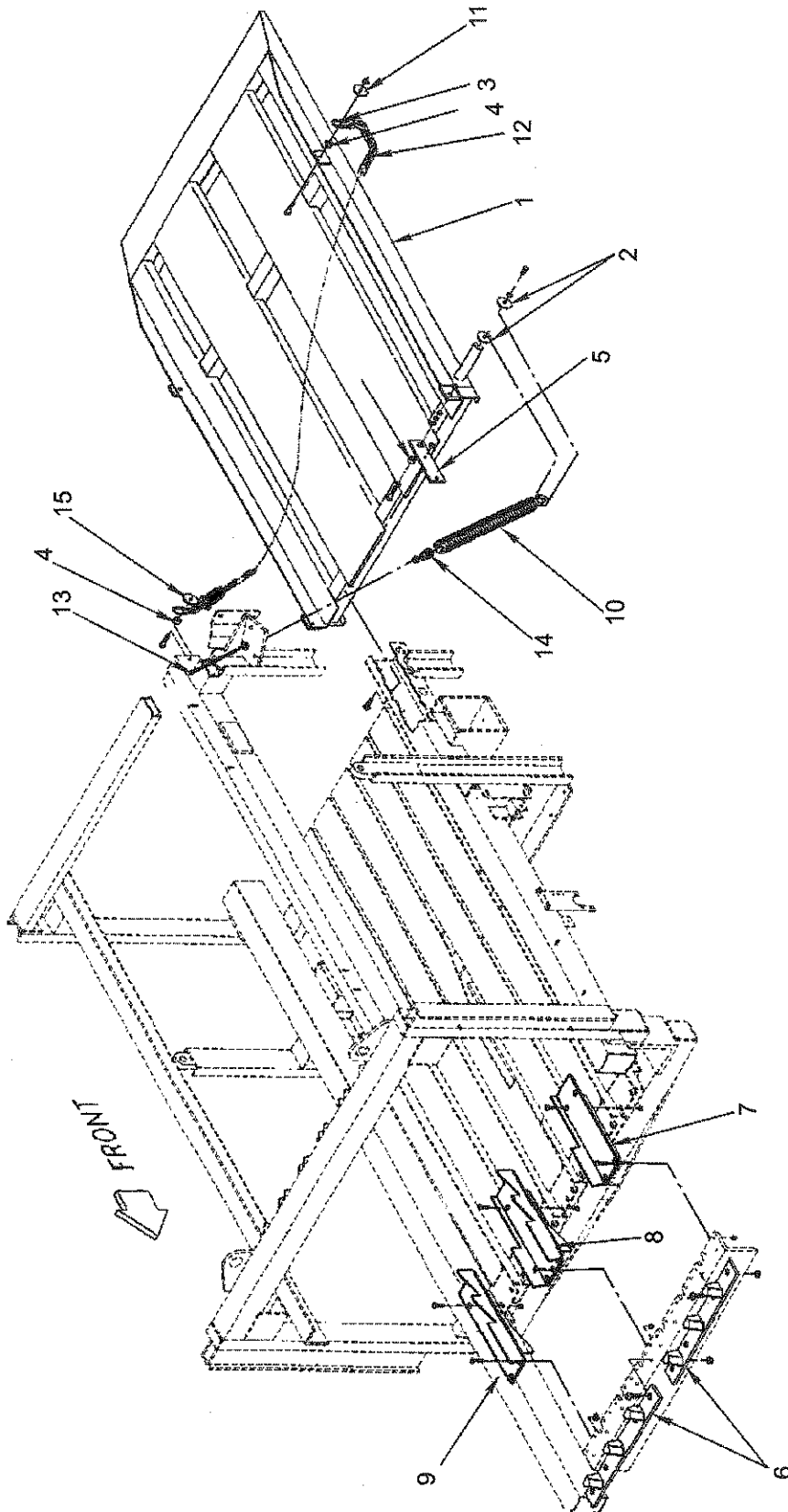
PLUNGER ASSEMBLY



PLUNGER ASSEMBLY

| REF NO. | PART NO. | DESCRIPTION | QTY. USED |
|------------|-------------|--------------------------------|--------------|
| 1 | PLG036797E | PLUNGER FRM ASSY | 1 |
| 2 | PLG2599101 | RH PLUNGER SLIDE RAIL-AFT/9-92 | 1 |
| | SCC0030003 | 3/8 X 1-1/4 NC HT CS - PLATED | 7 |
| 3 | PLG2599100 | LH PLUNGER SLIDE RAIL-AFT/9-92 | 1 |
| | SCC0030003 | 3/8 X 1-1/4 NC HT CS - PLATED | 7 |
| 4 | PLG0014974 | PLUNGER SLIDE SHIM | 2 |
| 5 | WIP0022693 | SWITCH CAM WIPER | 1 |
| | SMS0000171 | 1/4 X 5/8 NC WHIZ BOLT-PLATED | 2 |
| | NFH0001032 | 10-32 NF HEX NUT - PLATED | 2 |
| 6 | MNT0024734 | LFT MAKEUP CYL MNT-A/8-91 | 1 |
| | WLK0000625 | 5/8" MEDIUM LOCKWASHER - PLTD | 4 |
| | SCC0070004 | 5/8 X 1-1/2 NC HT CS - PLATED | 4 |
| 7 | KNF0022602 | PLUNGER CENTER KNIFE | 5 |
| | PWB3752000 | 3/8 X 2" NC #3 PLOW BOLT-ZP | 10 |
| | WLK0000375 | 3/8" MEDIUM LOCKWASHER - PLTD | 10 |
| | NCH0000375 | 3/8 NC HEX NUT - PLTD | 10 |
| 8 | SHM0226040 | 16 GA CENTER KNIFE SHIM | A/R |
| | SHM0226041 | 30 GA CENTER KNIFE SHIM | A/R |
| 9 | SHM0027993 | OUTSIDE PLG KNIFE SHIM-A/11-93 | A/R |
| | SHM0027994 | OUTSIDE PLG KNIFE SHIM-A/11-93 | A/R |
| 10 | KNF0027932 | PLG OUTER KNIFE AFT/11-93 | 2 |
| | PWB3752000 | 3/8 X 2" NC #3 PLOW BOLT-ZP | 4 |
| | WLK0000375 | 3/8" MEDIUM LOCKWASHER - PLTD | 4 |
| | NCH0000375 | 3/8 NC HEX NUT - PLTD | 4 |
| 11 | PLG0022711 | NUT F/PLGR ROLLER BOLT-1590/92 | 2 |
| 12 | BRG0000004 | PLUNGER ROLLER BEARING - | 4 |
| 13 | PLG0014979 | REAR PLUNGER ROLLER BOLT | 2 |
| 14 | MNT0024735 | RT MAKEUP CYL MNT-AF-8/91-1590 | 1 |
| | WLK0000625 | 5/8" MEDIUM LOCKWASHER - PLTD | 4 |
| 15 | SHM0022718 | FRONT ROLLER SHIM -1590 | 4 |
| 16 | PLG0024740 | FRT PLG ROLLER BOLT AF/8-91 | 2 |
| | WLK0010000 | 1" LOCKWASHER - PLATED | 2 |

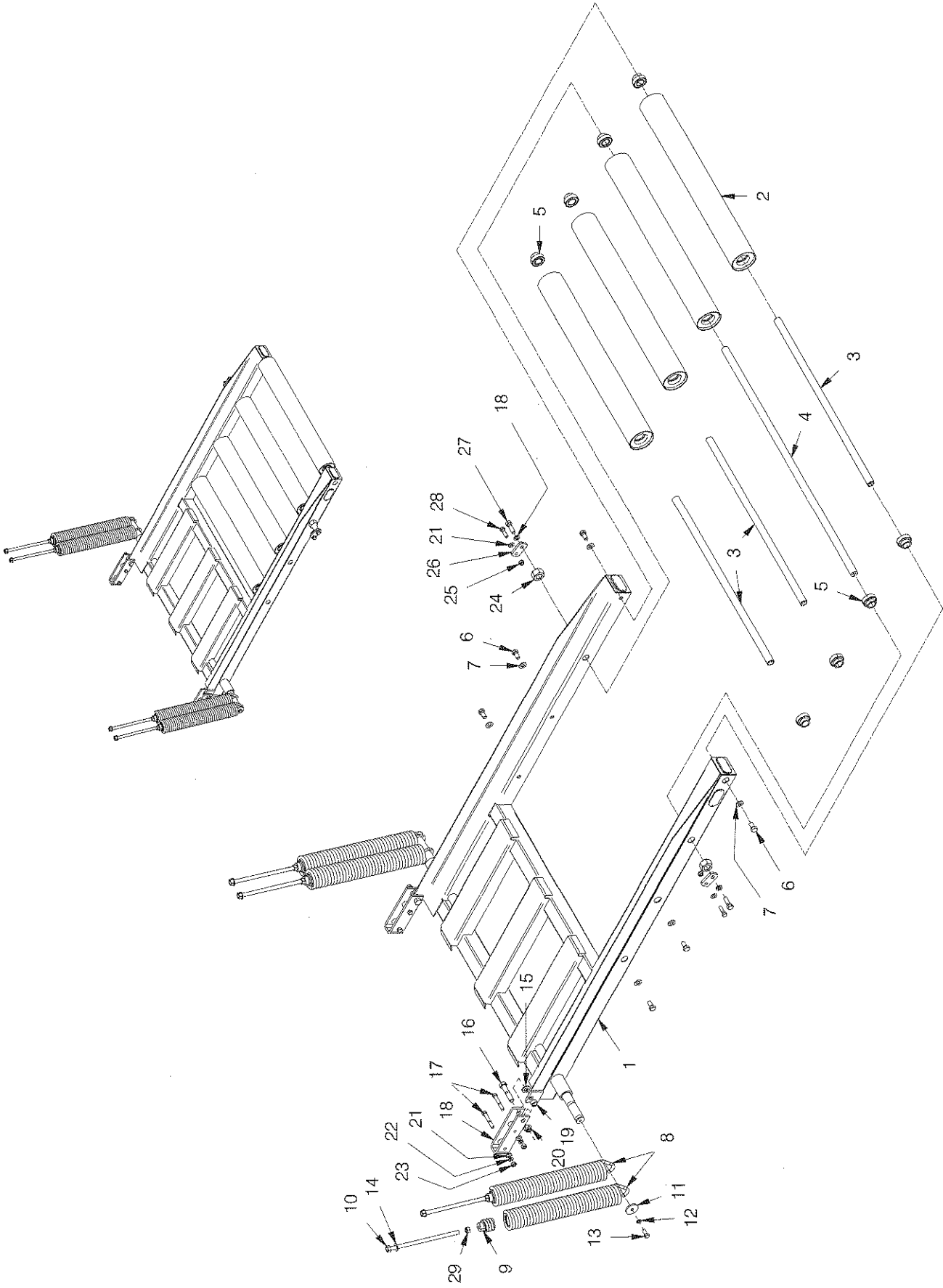
REAR CHAMBER AND BALE CHUTE ASSEMBLY



REAR CHAMBER AND BALE CHUTE ASSEMBLY

| REF NO. | PART NO. | DESCRIPTION | QTY. USED | REF NO. | PART NO. | DESCRIPTION | QTY. USED |
|---------|------------|--------------------------------|-----------|---------|------------|--------------------------------|-----------|
| 1 | CHU0022269 | BALE CHUTE -AFT/9-88 | 1 | 9 | LIN037469D | RIGHT BOTTOM CHAMBER LINER | 1 |
| 2 | WAS0035161 | ROLLER BALE CHUTE FLAT WASHER | 2 | | PWB3751500 | 3/8 X 1-1/2 NC #3 PLOW BOLT-ZP | 2 |
| 3 | CNK0000336 | CONNECTING LINK- 3/8" A-336 | 4 | | PWB3751250 | 3/8 X 1-1/4 NC #3 PLOW BOLT-ZP | 2 |
| 4 | SPC0025812 | CHAIN ANCHOR SPACER-AF/92 | 6 | | NMS0000375 | 3/8" NC WHIZ NUT - PLATED | 4 |
| | SFC0080505 | 1/2-20 X 1-3/4" GR 8 CAP SCREW | 6 | 10 | SPG1789105 | SPRING EXT .5W,2.88 OD,26.00 L | 2 |
| | NFH0080500 | 1/2"-20 GRADE 8 HEX NUT | 6 | | SFC0000502 | 1/2X 1 NF HT CAP SCREW | 2 |
| | WCT0000500 | 1/2" FLATWASHER - PLATED | 6 | | WLK0000500 | 1/2" LOCKWASHER - PLATED | 2 |
| 5 | MNT0026340 | BALE CHUTE MNT -AFT/11-92 | 2 | 11 | WAS0020049 | WASHER FOR RUBBER BUSHING | 6 |
| | SBH0005004 | 1/2 X 1-1/2 NC BUTTON HD - PLT | 4 | 12 | CHN375HT50 | 3/8" SELF-COLORED GRD 04 CHAIN | A/R |
| | NCE0000500 | 1/2" NC ESNA NUT - PLATED | 4 | 13 | SMS0035135 | SPRING PLUG BOLT ASSY | 2 |
| 6 | KNF0014787 | MAIN FRAME STATION KNIFE | 2 | | WCT0000625 | 5/8" FLATWASHER -PLATED | 2 |
| | PWB5001750 | 1/2 X 1-3/4 NC #3 PLOW BOLT-ZP | 10 | | NCH0000625 | 5/8" NC HEX NUT - PLATED | 2 |
| | NMS0000252 | 1/2" NC WHIZ NUT - PLATED | 10 | 14 | PLU0035136 | ROLLER CHUTE SPRING PLUG | 2 |
| 7 | LIN037467D | LEFT BTTM CHAMBER LINER | 1 | | | | |
| | PWB3751500 | 3/8 X 1-1/2 NC #3 PLOW BOLT-ZP | 2 | | | | |
| | PWB3751250 | 3/8 X 1-1/4 NC #3 PLOW BOLT-ZP | 2 | | | | |
| | NMS0000375 | 3/8" NC WHIZ NUT - PLATED | 4 | | | | |
| 8 | LIN037468D | CENTER BOTTOM CHM LINER | 5 | | | | |
| | PWB3751500 | 3/8 X 1-1/2 NC #3 PLOW BOLT-ZP | 15 | | | | |
| | PWB3751250 | 3/8 X 1-1/4 NC #3 PLOW BOLT-ZP | 15 | | | | |
| | NMS0000375 | 3/8" NC WHIZ NUT - PLATED | 30 | | | | |

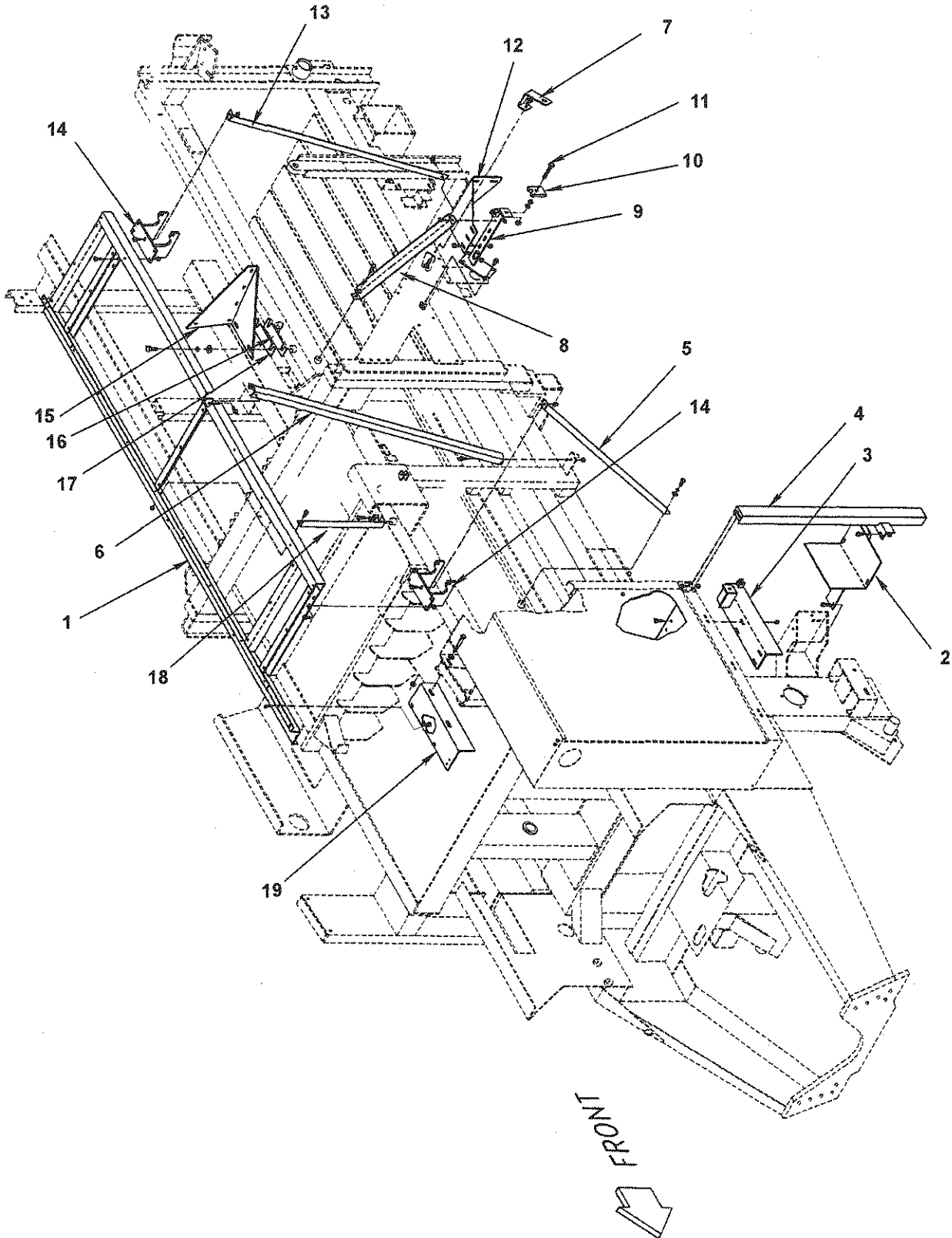
OPTIONAL ROLLER BALE CHUTE ASSEMBLY



OPTIONAL ROLLER BALE CHUTE ASSEMBLY

| REF NO. | PART NO. | DESCRIPTION | QTY. USED |
|------------|-------------|-------------------------------------|--------------|
| | CHU0035109 | ROLLER BALE CHUTE ASSY; | |
| 1 | FRM0032270 | ASSEMBLY, FRAME, CHUTE, ROLLER | 1 |
| 2 | ROL0035115 | ROLLER ASSEMBLY | 4 |
| 3 | SHF0035112 | SHAFT | 3 |
| 4 | 900072 | SHAFT | 1 |
| 5 | BRG0000010 | ROLLER BEARING F/1592 TAIL CHUTE | 8 |
| 6 | 234131 | CAPSCREW; 5/8 NC X 1 1/4 GR8 HX ZC | 6 |
| 7 | R13811435 | WASHER, STRUCTURAL, 5/8 | 6 |
| 8 | SPG0035137 | SPRING, EXT | 4 |
| 9 | PLU0035136 | PLUG, SPRING | 4 |
| 10 | SMS0035135 | BOLT ASSY | 4 |
| 11 | 234665 | WASHER, LOCK, SPLIT, 1/2" | 2 |
| 12 | 234123 | SCREW, CAP, 1/2 X 1 1/4 UNC, PLATED | 2 |
| 13 | 234123 | SCREW, CAP, 1/2 X 1 1/4 UNC, PLATED | 2 |
| 14 | 235464 | WASHER, FLAT, 5/8 | 4 |
| 15 | 235546 | WASHER, HARD; 3/4 ID ZC | 2 |
| 16 | 230096 | CAPSCREW; 3/4 NC X 3 1/2 GR8 | 2 |
| 17 | 230596 | CAPSCREW; 1/2 NC X 3 1/4 GR8 | 4 |
| 18 | 900340 | MOUNTING WLDMT | 2 |
| 19 | 900343 | SPACER | 2 |
| 20 | NCE0007500 | ESNA NUT NC 3/4 | 2 |
| 21 | 239519 | WASHER, FLAT; 1/2 | 8 |
| 22 | 234665 | WASHER, LOCK; 1/2 REG | 4 |
| 23 | 234921 | NUT, HEX; 1/2 NC GR8 | 4 |
| 24 | 224182 | NUT, HEX; 1 1/4 NC GR8 | 2 |
| 25 | 223587 | NUT, ESNA; 1/2 NC GR8 | 2 |
| 26 | 900344 | BAR, LINK | 2 |
| 27 | 235590 | CAPSCREW; 5/8 NC X 2 GR8 | 2 |
| 28 | 229172 | CAPSCREW; 1/2 NC X 1 3/4 GR8 | 2 |
| 29 | 229952 | NUT, HEX; 5/8 NC GR8 | 2 |

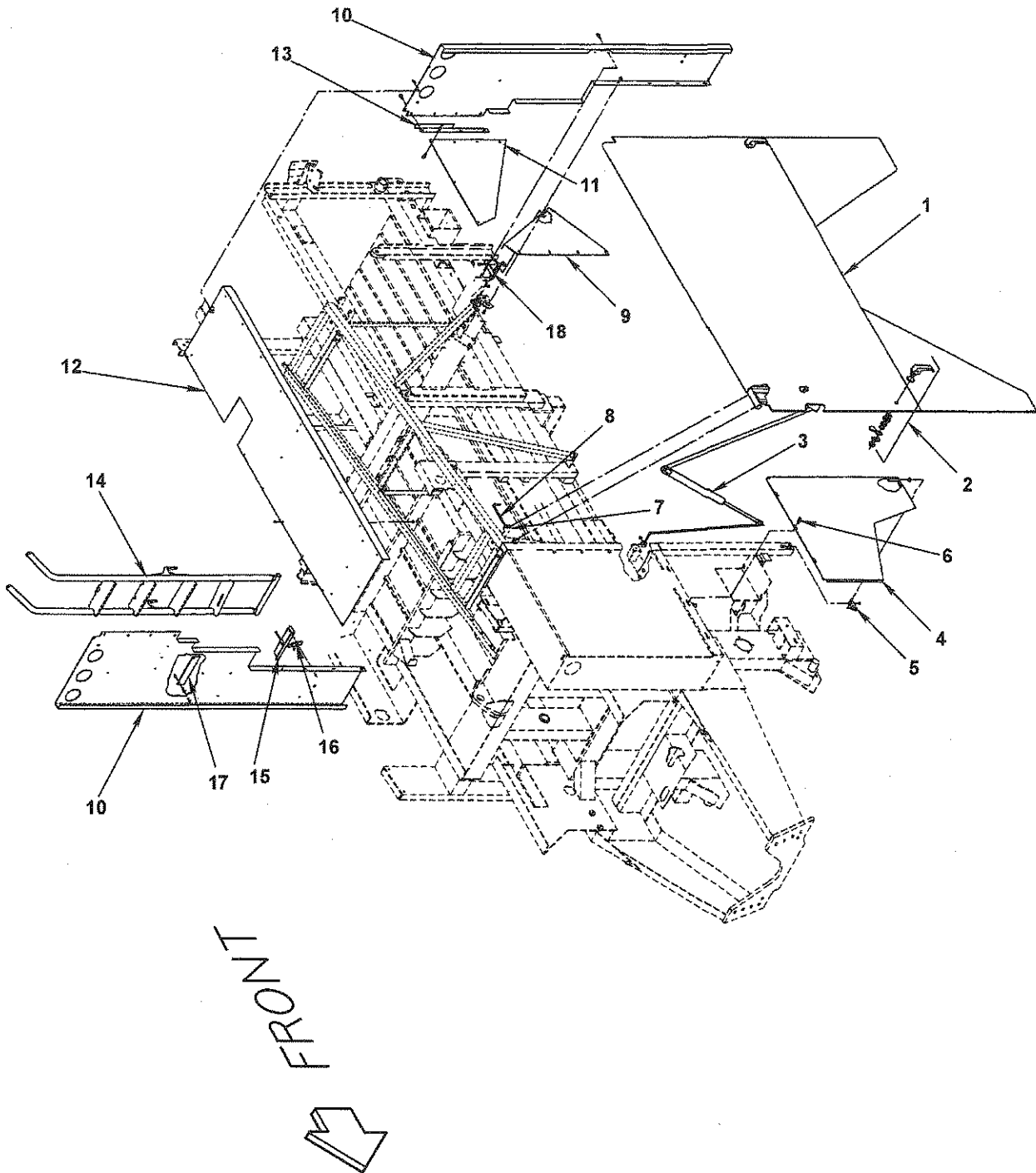
SIDE SHIELDS AND DOOR SUPPORTS ASSEMBLY



SIDE SHIELDS AND DOOR SUPPORTS ASSEMBLY

| REF NO. | PART NO. | DESCRIPTION | QTY. USED | REF NO. | PART NO. | DESCRIPTION | QTY. USED |
|---------|------------|--------------------------------|-----------|---------|------------|--------------------------------|-----------|
| 1 | FRM0232910 | R.H. TOP SHIELD SUPT ASB | 1 | 10 | 20-112 | MOTOR MOUNT/STOP PAD | 4 |
| | FRM0232911 | L.H. TOP SHIELD SUPT ASB | 1 | | NCH0000500 | 1/2" NC HEX NUT - PLATED | 4 |
| 2 | MNT0023489 | L DOR SUP BRC W/ BAT MNT | 1 | | WCT0000500 | 1/2" FLATWASHER - PLATED | 8 |
| | BRC0233921 | R. H. DOOR SUPPORT BRACE | 1 | 11 | ROD0023528 | DOOR BUMPER ADJ. ROD BOLT | 4 |
| | SMS0000184 | 5/16 X 3/4 NC WHIZ BOLT-PLATED | 4 | 12 | SUP0252950 | L.H REAR SHD LOWER SUPT-A/3-92 | 1 |
| 3 | MNT0233030 | L. H. GAS SPRING FRM MNT ASSY | 1 | | SUP0252951 | R.H REAR SHD LOWER SUPT-A/3-92 | 1 |
| | MNT0233031 | R. H. GAS SPRING FRM MNT ASSY | 1 | | SMS0000184 | 5/16 X 3/4 NC WHIZ BOLT-PLATED | 2 |
| | CRB3130100 | 5/16X 1 CARRIAGE BOLT-PLTD | 8 | | NMS0000117 | 5/16" NC WHIZ NUT - PLATED | 2 |
| | WCT0000313 | 5/16" FLATWASHER-PLATED | 8 | 13 | BRC0233290 | L. H. DOOR REAR KNEE BRACE | 1 |
| 4 | SUP0023479 | LOWER LEFT DOOR SUPPORT | 1 | | BRC0233291 | R. H. DOOR REAR KNEE BRACE | 1 |
| | SUP0023357 | LOWER RIGHT DOOR SUPPORT | 1 | | SMS0000184 | 5/16 X 3/4 NC WHIZ BOLT-PLATED | 2 |
| | SMS0000184 | 5/16 X 3/4 NC WHIZ BOLT-PLATED | 4 | | NMS0000117 | 5/16" NC WHIZ NUT - PLATED | 2 |
| | NMS0000117 | 5/16" NC WHIZ NUT - PLATED | 4 | | SMS0000177 | 5/16 X 1 NC WHIZ BOLT-PLATED | 2 |
| 5 | BRC0233310 | L. H. FRONT KNEE BRACE | 1 | 14 | MNT0023283 | MAIN DOOR MOUNT ASSEMBLY | 4 |
| | BRC0233311 | R. H. FRONT KNEE BRACE | 1 | | NMS0000117 | 5/16" NC WHIZ NUT - PLATED | 16 |
| | NMS0000117 | 5/16" NC WHIZ NUT - PLATED | 2 | | SMS0000177 | 5/16 X 1 NC WHIZ BOLT-PLATED | 16 |
| | SCC0030002 | 3/8 X 1 NC HT CS - PLATED | 6 | 15 | SUP0234500 | L. H. REAR SHD UPPER SUPT | 1 |
| | SMS0000177 | 5/16 X 1 NC WHIZ BOLT-PLATED | 2 | | SUP0234501 | R. H. REAR SHD UPPER SUPT | 1 |
| | WLK0000375 | 3/8" MEDIUM LOCKWASHER - PLTD | 6 | | WCT0000500 | 1/2" FLATWASHER - PLATED | 4 |
| | WCT0000375 | 3/8" FLATWASHER - PLATED | 6 | | SCC0050003 | 1/2 X 1-1/4 NC HT CS - PLATED | 4 |
| 6 | BRC0233260 | L. H. DOOR CENTER KNEE BRACE | 1 | | WLK0000500 | 1/2" LOCKWASHER - PLATED | 4 |
| | BRC0233261 | R. H. DOOR CENTER KNEE BRACE | 1 | 16 | SHM0023544 | SHIELD SUPPORT SHIM | A/R |
| | SMS0000184 | 5/16 X 3/4 NC WHIZ BOLT-PLATED | 4 | 17 | SHM0023545 | SHIELD SUPPORT SHIM | A/R |
| | NMS0000117 | 5/16" NC WHIZ NUT - PLATED | 4 | 18 | SUP0233270 | L. H. CENTER SHLD SUP LEG | 1 |
| 7 | BKT0023355 | NEEDLE YOKE GUARD BRACKET | 2 | | SUP0233271 | R. H. CENTER SHLD SUP LEG | 1 |
| | SCC0050004 | 1/2 X 1-1/2 NC HT CS - PLATED | 2 | | NMS0000117 | 5/16" NC WHIZ NUT - PLATED | 2 |
| | WLK0000500 | 1/2" LOCKWASHER - PLATED | 2 | | SCC0030002 | 3/8 X 1 NC HT CS - PLATED | 6 |
| | NCH0000500 | 1/2" NC HEX NUT - PLATED | 2 | | SMS0000184 | 5/16 X 3/4 NC WHIZ BOLT-PLATED | 4 |
| 8 | BRC0233300 | L. H. REAR KNEE BRACE | 1 | | WLK0000375 | 3/8" MEDIUM LOCKWASHER - PLTD | 6 |
| | BRC0233301 | R. H. REAR KNEE BRACE | 1 | | WCT0000375 | 3/8" FLATWASHER - PLATED | 6 |
| | SCC0030002 | 3/8 X 1 NC HT CS - PLATED | 6 | 19 | SUP5061370 | LEFT SIDE FRNT CHANNEL SUPPORT | 1 |
| | SMS0000184 | 5/16 X 3/4 NC WHIZ BOLT-PLATED | 1 | | SUP5061381 | RIGHT SIDE FRONT CHANNEL SUPPT | 1 |
| | NCH0000500 | 1/2" NC HEX NUT - PLATED | 1 | | SMT0001001 | 1/4 X 3/4 TH MACH SCREW-PLT | 6 |
| | WLK0000375 | 3/8" MEDIUM LOCKWASHER - PLTD | 6 | | NMS0000250 | 1/4" NC WHIZ NUT - PLATED | 6 |
| | WCT0000375 | 3/8" FLATWASHER - PLATED | 6 | | SCC0050012 | 1/2 X 3-1/2 NC HT CS - PLATED | 4 |
| 9 | MNT0252940 | LH REAR GAS SPG/BUMP MNT -A/92 | 1 | | NCE0000500 | 1/2" NC ESNA NUT - PLATED | 4 |
| | MNT0252941 | RH REAR GAS SPG/BUMP MNT -A/92 | 1 | | | | |
| | SMS0000184 | 5/16 X 3/4 NC WHIZ BOLT-PLATED | 12 | | | | |
| | NMS0000117 | 5/16" NC WHIZ NUT - PLATED | 12 | | | | |

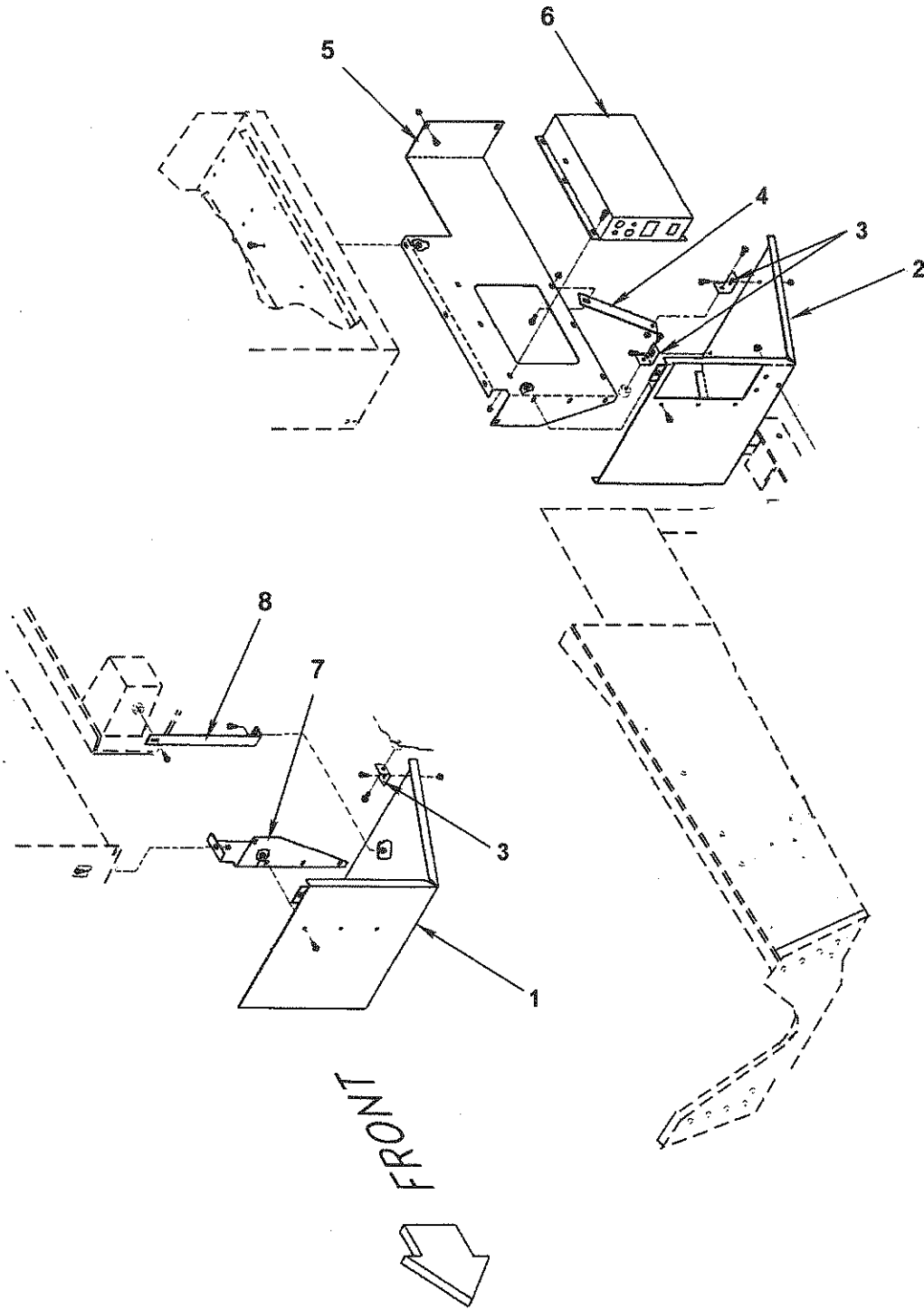
SHIELDS AND DOORS ASSEMBLY



SHIELDS AND DOORS ASSEMBLY

| REF NO. | PART NO. | DESCRIPTION | QTY. USED | REF NO. | PART NO. | DESCRIPTION | QTY. USED |
|---------|------------|--------------------------------|-----------|---------|------------|--------------------------------|-----------|
| 1 | DOR0232790 | L.H. MAIN DOOR ASSY. | 1 | 11 | CVR0025413 | REAR CLOSURE PLATE-AF/92 | 1 |
| | DOR0232791 | R. H. MAIN DOOR ASSEMBLY | 1 | | SMT0002001 | 5/16 X 3/4 TH MACH SCREW-PLT | 4 |
| 2 | HAN6210603 | LIFT-N-LATCH HANDLE | 4 | | NMS0000250 | 1/4" NC WHIZ NUT - PLATED | 4 |
| 3 | CYL0080614 | GAS SPRING CYLINDER | 4 | 12 | SHD0023286 | TOP LEFT SHIELD | 1 |
| | NCE0000313 | 5/16" NC ESNA NUT - PLATED | 8 | | SHD0023287 | TOP RIGHT SHIELD | 1 |
| | SCC0020004 | 5/16 X 1-1/2 NC HT CS - PLATED | 8 | | SMT0001003 | 1/4 X 5/8 TH MACH SCREW-PLT | 32 |
| 4 | DOR0233320 | L. H. LOWER FRONT DOOR | 1 | 13 | MNT2541200 | L. H. REAR SHIELD/CLOSURE PLT | 1 |
| | DOR0233321 | R. H. LOWER FRONT DOOR | 1 | | MNT2541201 | R. H. REAR SHIELD/CLOSURE PLT | 1 |
| | WCT0000375 | 3/8" FLATWASHER - PLATED | 12 | | SMT0001003 | 1/4 X 5/8 TH MACH SCREW-PLT | 4 |
| 5 | HNG0233390 | L. H. LOWER DOOR HINGE | 1 | | NMS0000250 | 1/4" NC WHIZ NUT - PLATED | 4 |
| | HNG0233391 | R. H. LOWER DOOR HINGE | 1 | 14 | LDR0016139 | PORTABLE LADDER | 1 |
| | NMS0000117 | 5/16" NC WHIZ NUT - PLATED | 4 | 15 | BKT0016157 | BOTTOM LADDER STORAGE BRACKET | 1 |
| | SMT0002001 | 5/16 X 3/4 TH MACH SCREW-PLT | 4 | | SMS0000172 | 1/4 X 3/4 NC WHIZ BOLT-PLATED | 2 |
| 6 | FST0010401 | MED DUTY FOLDING HANDLE FASTNR | 6 | | NMS0000250 | 1/4" NC WHIZ NUT - PLATED | 2 |
| 7 | COT0000801 | 3/16 X 1 COTTER PIN | 4 | 16 | PIN0021155 | PORTABLE LADDER PIN | 1 |
| 8 | PIN0023475 | SIDE DOOR HINGE PIN | 4 | | SCC0020008 | 5/16 X 2-1/2 NC HT CS - PLATED | 1 |
| | WCT0000375 | 3/8" FLATWASHER - PLATED | 12 | | NCE0000313 | 5/16" NC ESNA NUT - PLATED | 1 |
| 9 | GRD0233110 | L. H. NEEDLE YOKE GUARD | 1 | 17 | BKT0016158 | TOP LADDER STORAGE BRACKET | 1 |
| | GRD0233111 | R. H. NEEDLE YOKE GUARD | 1 | | NCH0000250 | 1/4" NC HEX NUT - PLATED | 4 |
| | SMT0001001 | 1/4 X 3/4 TH MACH SCREW-PLT | 4 | | SCC0020002 | 5/16 X 1 NC HT CS - PLATED | 2 |
| | NMS0000250 | 1/4" NC WHIZ NUT - PLATED | 4 | | NMS0000250 | 1/4" NC WHIZ NUT - PLATED | 2 |
| 10 | SHD0032078 | LEFT REAR SHIELD | 1 | 18 | BKT0235270 | L. H. NEEDLE YOKE BRACKET | 1 |
| | SHD0032079 | RIGHT REAR SHIELD | 1 | | BKT0235271 | R. H. NEEDLE YOKE BRACKET- | 1 |
| | SMT0001001 | 1/4 X 3/4 TH MACH SCREW-PLT | 6 | | NMS0000117 | 5/16" NC WHIZ NUT - PLATED | 4 |
| | SMT0001003 | 1/4 X 5/8 TH MACH SCREW-PLT | 8 | | SMT0001001 | 1/4 X 3/4 TH MACH SCREW-PLT | 4 |
| | SMT0002001 | 5/16 X 3/4 TH MACH SCREW-PLT | 4 | | SMT0001003 | 1/4 X 5/8 TH MACH SCREW-PLT | 2 |
| | NMS0000250 | 1/4" NC WHIZ NUT - PLATED | 20 | | SMS0000177 | 5/16 X 1 NC WHIZ BOLT-PLATED | 1 |

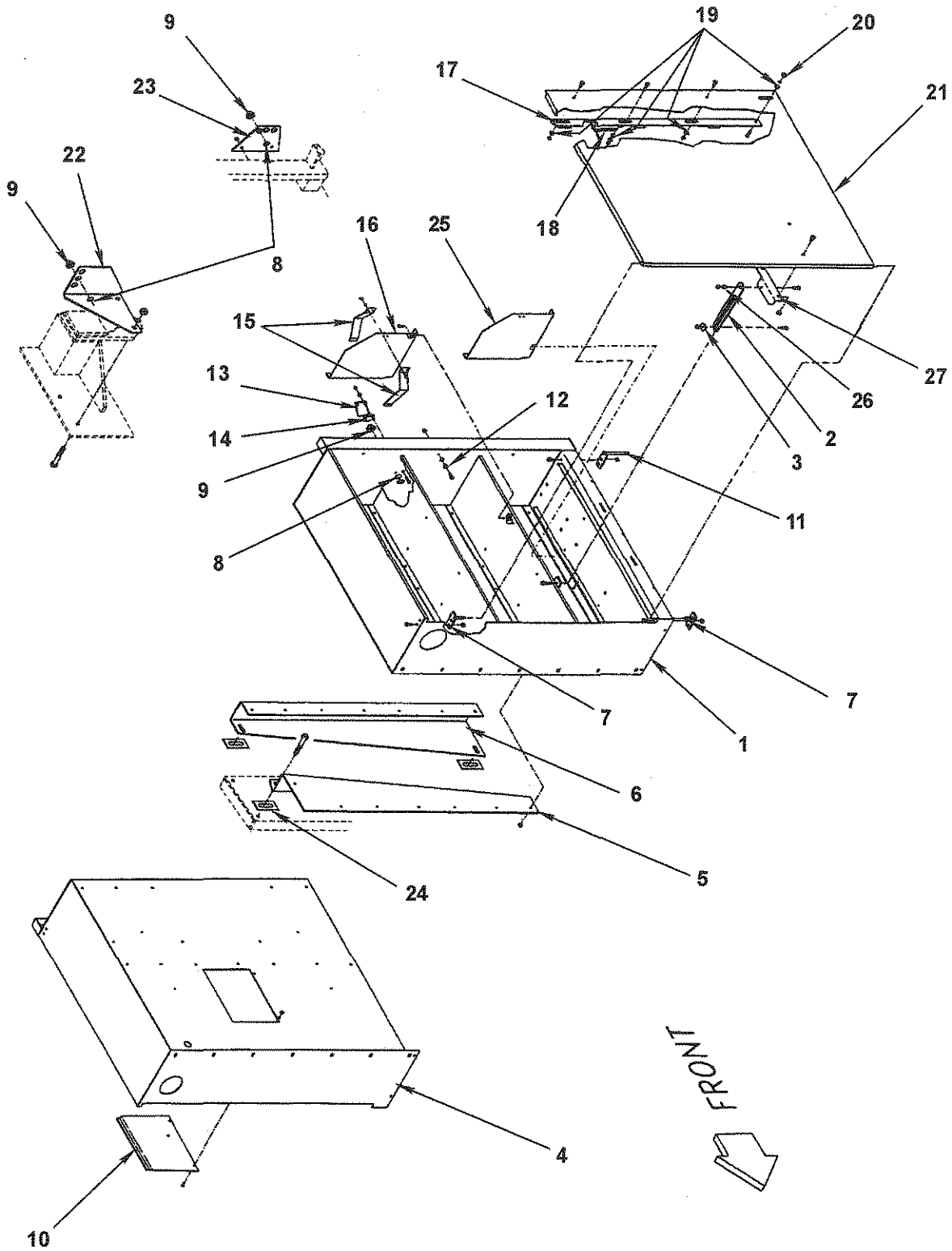
LOWER FRONT SHIELDS ASSEMBLY



LOWER FRONT SHIELDS ASSEMBLY

| REF NO. | PART NO. | DESCRIPTION | QTY. USED | REF NO. | PART NO. | DESCRIPTION | QTY. USED |
|---------|------------|--------------------------------|-----------|---------|------------|--------------------------------|-----------|
| 1 | SHD0023399 | LOWER RIGHT FRONT SHIELD | 1 | 5 | MNT0023391 | CONTROL & FAN BOX MOUNT | 1 |
| | NMS0000117 | 5/16" NC WHIZ NUT - PLATED | 3 | | NMS0000117 | 5/16" NC WHIZ NUT - PLATED | 5 |
| | SMT0002001 | 5/16 X 3/4 TH MACH SCREW-PLT | 3 | | CRB3130075 | 5/16X 3/4 CARRIAGE BOLT-PLTD | 3 |
| 2 | SHD0024071 | LOWER LFT FRT SHD-A/11-90 | 1 | | SMS0000184 | 5/16 X 3/4 NC WHIZ BOLT-PLATED | 2 |
| | NMS0000117 | 5/16" NC WHIZ NUT - PLATED | 3 | 6 | BOX036050E | CONTROL BOX ASSY, COMPLETE | 1 |
| | SMT0002001 | 5/16 X 3/4 TH MACH SCREW-PLT | 3 | | NMS0000117 | 5/16" NC WHIZ NUT - PLATED | 6 |
| 3 | ANC0023506 | FRONT SHIELD ANCHOR | 3 | | SMS0000177 | 5/16 X 1 NC WHIZ BOLT-PLATED | 6 |
| | NMS0000117 | 5/16" NC WHIZ NUT - PLATED | 4 | 7 | BRC0023404 | RIGHT FRONT SHIELD BRACE | 1 |
| | SMS0000181 | 3/8 X 3/4 NC WHIZ BOLT -PLATED | 2 | | NMS0000117 | 5/16" NC WHIZ NUT - PLATED | 1 |
| | SMS0000184 | 5/16 X 3/4 NC WHIZ BOLT-PLATED | 4 | | CRB3130075 | 5/16X 3/4 CARRIAGE BOLT-PLTD | 1 |
| 4 | ANC0023322 | LEFT FRONT SHIELD ANCHOR | 1 | 8 | ANC0023403 | RIGHT FRONT SHIELD ANCHOR | 1 |
| | NMS0000117 | 5/16" NC WHIZ NUT - PLATED | 1 | | NMS0000117 | 5/16" NC WHIZ NUT - PLATED | 1 |
| | SMS0000184 | 5/16 X 3/4 NC WHIZ BOLT-PLATED | 1 | | SMS0000181 | 3/8 X 3/4 NC WHIZ BOLT -PLATED | 1 |
| | | | | | SMS0000184 | 5/16 X 3/4 NC WHIZ BOLT-PLATED | 1 |

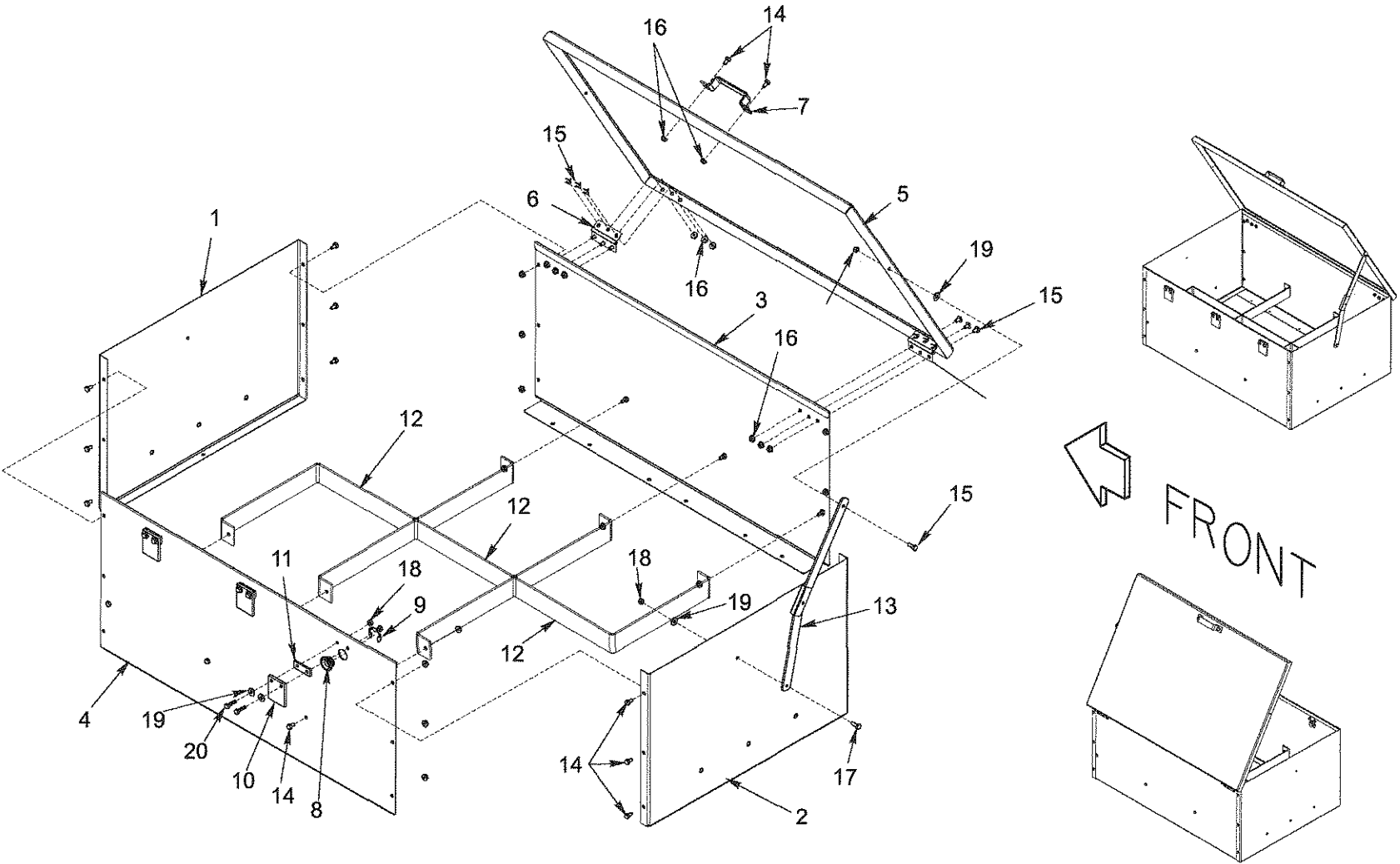
TWINE BOXES AND BRACKETS ASSEMBLY



TWINE BOXES AND BRACKETS ASSEMBLY

| REF NO. | PART NO. | DESCRIPTION | QTY. USED | REF NO. | PART NO. | DESCRIPTION | QTY. USED |
|---------|------------|-----------------------------------|-----------|---------|------------|---------------------------------------|-----------|
| 1 | BOX0024949 | L. H. TWINE BOX -AFT/3-92 | 1 | 16 | BOX0232370 | LH TWINE BOX OPT. DIVIDER | 6 |
| 2 | SHD0096569 | STAY, SHIELD DOOR | 2 | | BOX0232371 | RH TWINE BOX OPT. DIVIDER | 6 |
| | SMT0002001 | 5/16 X 3/4 NC MACH. SCREW - PLTD | 4 | | SMR0001001 | 1/4 X 3/4 NC MACH. SCREW - PLTD | 24 |
| | NCE0000313 | 5/16 NC ESNA LOCKNUT - PLTD | 4 | | WLK0000250 | 1/4 MEDIUM LOCKWASHER PLTD | 24 |
| 3 | PLU0506009 | PLUG, STAY DOOR | 2 | | NCH0000250 | 1/4 NC HEX NUT - PLTD | 24 |
| 4 | BOX0024950 | R. H. TWINE BOX -AFT/3-92 | 1 | 17 | LTH1584700 | L. H. TWINE BOX DOOR LATCH | 1 |
| 5 | MNT0231010 | LH FRONT TWINE BOX MOUNT | 1 | | LTH1584701 | R. H. TWINE BOX DOOR LATCH | 1 |
| | MNT0231011 | RH FRONT TWINE BOX MOUNT | 1 | 18 | F 0000278 | SPRING F/KNOTTER TRIP ARM | 2 |
| | NMS0000117 | 5/16 NC WHIZ NUT - PLTD | 12 | | NCH000313 | 5/16 NC HEX NUT | 4 |
| | SMS0000184 | 5/16 X 3/4 NC WHIZ BOLT - PLTD | 12 | | SCC0010002 | 1/4 X 1 NC GRD 5 HEX BOLT - PLTD | 2 |
| 6 | MNT0231020 | LH REAR TWINE BOX MOUNT | 1 | 19 | BSH0015842 | TWN BX DOOR LATCH GUID.BUSHING | 8 |
| | MNT0231021 | RH REAR TWINE BOX MOUNT | 1 | | WCT0000313 | 5/16 FLAT WASHER - PLTD | 4 |
| | NMS0000117 | 5/16 NC WHIZ NUT - PLTD | 12 | | SCC0020003 | 5/16 X 1-1/4 NC GRD 5 HEX BOLT - PLTD | 2 |
| | SMS0000184 | 5/16 X 3/4 NC WHIZ BOLT - PLTD | 12 | | SCC0020002 | 5/16 X 1 NC GRD 5 HEX BOLT - PLTD | 6 |
| 7 | HNG0232330 | LH TOP HINGE PIN-AT/11-89 | 2 | | NCE0000313 | 5/16 NC ESNA LOCK NUT - PLTD | 6 |
| | HNG0232331 | RH TOP HINGE PIN-AF/11-89 | 2 | 20 | F 0001007 | CONTROL KNOB - 5/16 NC THREAD | 2 |
| | NMS0000117 | 5/16 NC WHIZ NUT - PLTD | 8 | | SCC0020002 | 5/16 X 1 NC GRD 5 HEX BOLT - PLTD | 2 |
| | SMS0000184 | 5/16 X 3/4 NC WHIZ BOLT - PLTD | 8 | | WLK0000313 | 5/16 MEDIUM LOCKWASHER - PLTD | 2 |
| | WCT0000313 | 5/16 FLAT WASHER - PLTD | 8 | 21 | DOR0232300 | LH TWINE BOX DOOR | 1 |
| 8 | F 0000857 | SNAP RING FITWN GUIDE BUSHING | 18 | | DOR0232301 | RH TWINE BOX DOOR | 1 |
| 9 | F 0000856 | TWINE & WIRE GUIDE BUSHING | 18 | 22 | BKT0263230 | LH TWN GUIDE BRACKET-AFT/11-92 | 1 |
| 10 | CVR0232361 | R. H. TWN BX FILTER ACCESS CVR | 1 | | BKT0263231 | RH TWN GUIDE BRACKET-AFT/11-92 | 1 |
| | SCC0000100 | 1/4 X 1/2 NC HT GRD 5 HEX CS | 2 | | SCC0070012 | 5/8 X 3-1/2 NC GRD 5 HEX BOLT - PLTD | 4 |
| | NCC0002500 | 1/4 NC CAGE NUT | 2 | | WLK0000625 | 5/8 MEDIUM LOCKWASHER - PLTD | 4 |
| 11 | HNG0235070 | L. H. LOWER FRONT DOOR HINGE | 1 | | NCH0000625 | 5/8 NC HEX NUT - PLTD | 4 |
| | HNG0235071 | R. H. LOWER FRONT DOOR HINGE | 1 | 23 | BKT0023462 | TWINE GUIDE BRACKET | 2 |
| | NMS0000117 | 5/16 NC WHIZ NUT - PLTD | 4 | | SCC0030001 | 3/8 X 3/4 NC GRD 5 HEX BOLT - PLTD | 4 |
| | SMS0000184 | 5/16 X 3/4 NC WHIZ BOLT - PLTD | 4 | | NCE0000375 | 3/8 NC ESNA LOCKNUT - PLTD | 4 |
| | WCT0000313 | 5/16 FLAT WASHER - PLTD | 4 | 24 | F 0000967 | SHIM F/PINION SHAFT BRG - 16GA | 12 |
| 12 | BSH0015841 | TWINE BOX DOOR LATCH BUSHING | 6 | | F 0000967A | SHIM F/PINION SHAFT BRG - 20GA | 12 |
| | SCC0020002 | 5/16 X 1 NC GRD 5 HEX BOLT - PLTD | 6 | | F 0000967B | SHIM F/PINION SHAFT BRG - 10GA | 12 |
| | NCE0000313 | 5/16 NC ESNA LOCK NUT - PLTD | 6 | 25 | BOX0507654 | LH TWINE BOX BOTTOM | 1 |
| | WCT0000313 | 5/16 FLAT WASHER - PLTD | 6 | | BOX0507655 | RH TWINE BOX BOTTOM | 1 |
| 13 | CVR0016464 | TWINE GUIDE COVER | 6 | | SCC0020003 | 5/16 X 1-1/4 NC GRD 5 HEX BOLT - PLTD | 2 |
| | SCC0010002 | 1/4 X 1 NC GRD 5 HEX BOLT - PLTD | 12 | 26 | F 0008147 | TWINE FINGER DRIVE ROD BUSHING | 2 |
| | WCT0000250 | 1/4 FLAT WASHER - PLTD | 12 | 27 | MNT5064110 | LH MOUNT, DOOR STAY | 1 |
| | NCE0000250 | 1/4 NC ESNA LOCKNUT - PLTD | 12 | | MNT5061131 | RH MOUNT, DOOR STAY | 1 |
| 14 | SPC0016465 | TWINE GUIDE COVER SPACER | 6 | | SMT0002001 | 5/16 X 3/4 NC MACH. SCREW - PLTD | 4 |
| 15 | RET0023771 | RETAINER, TWINE BALL | 18 | | NMS0000117 | 5/16 NC WHIZ NUT - PLTD | 4 |
| | SMR0001001 | 1/4 X 3/4 NC MACH. SCREW - PLTD | 18 | | | | |
| | WLK0000250 | 1/4 MEDIUM LOCKWASHER PLTD | 18 | | | | |
| | NCH0000250 | 1/4 NC HEX NUT - PLTD | 18 | | | | |

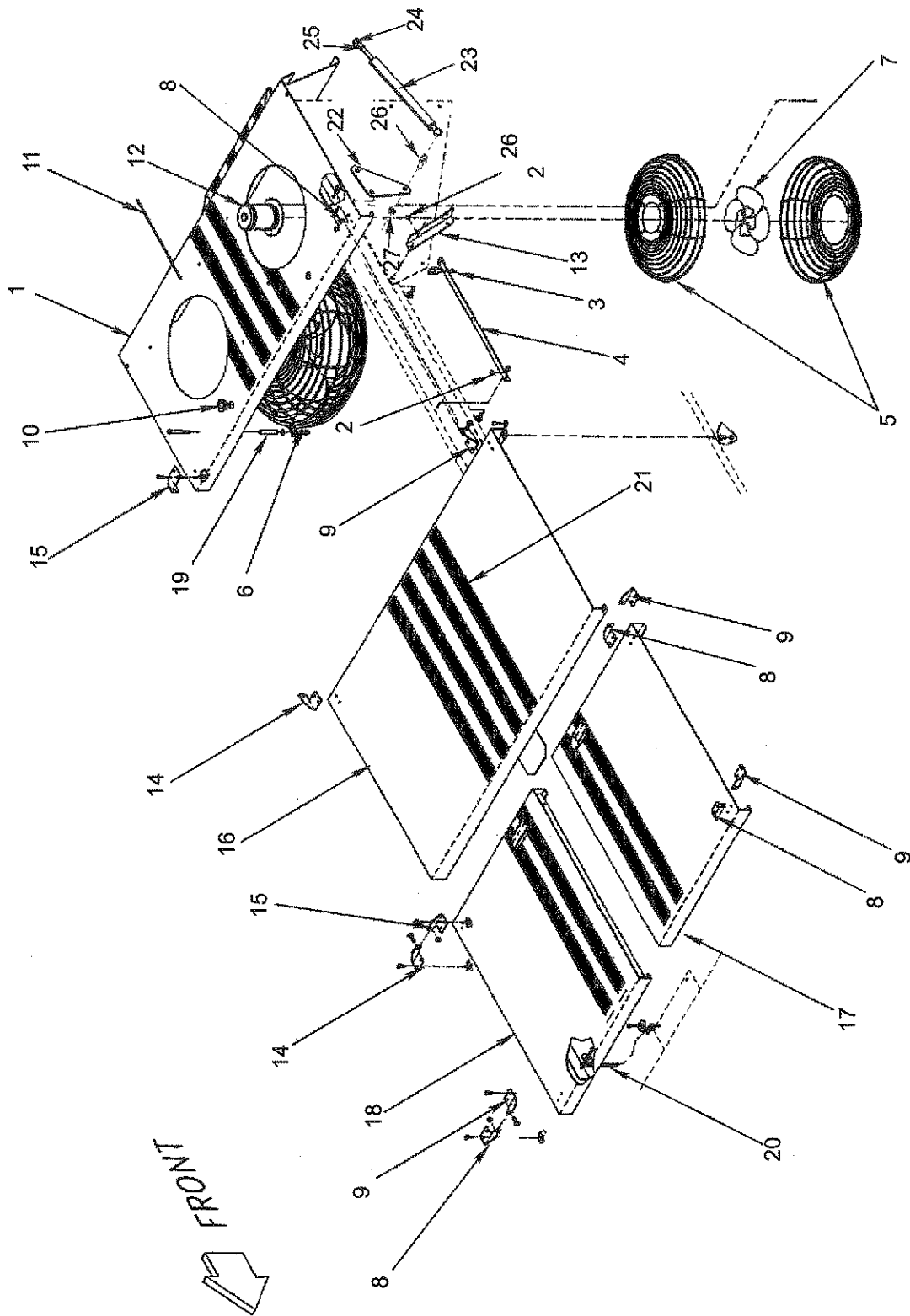
TOP TWINE BOX ASSEMBLY



TOP TWINE BOX ASSEMBLY

| REF NO. | PART NO. | DESCRIPTION | QTY. USED |
|------------|-------------|------------------------------------|--------------|
| | BOX037625E | TOP TWINE BOX ASSY | |
| 1 | BOX036460E | TOP TWINE BOX RIGHT END | 1 |
| 2 | BOX036461E | TOP TWINE BOX LEFT END | 1 |
| 3 | BOX037626E | SPLIT TOP TWINE BOX BACK | 1 |
| 4 | BOX037627E | SPLIT TOP TWINE BOX FRONT | 1 |
| 5 | BOX037628E | TOP TWINE BOX LID | 1 |
| 6 | HNG0000810 | HINGE FOR TWINE BOX (PAIR) | 2 |
| 7 | HAN0017239 | HANDLE F/TWINE BOX LID | 1 |
| 8 | F000000856 | TWINE & WIRE GUIDE BUSHING | 3 |
| 9 | F000000857 | SNAP RING F/TWN GUIDE BUSHING | 3 |
| 10 | CVR0016464 | TWINE GUIDE COVER | 3 |
| 11 | SPC0016465 | TWINE GUIDE COVER SPACER | 3 |
| 12 | BOX0035235 | TWINE BOX DIVIDER- | 3 |
| 13 | PRP0010000 | PROP FOR TWINE BOX LID | 1 |
| 14 | SCC0010000 | HEX HEAD CAP 1/4-20 X 1/2 - PLATED | 20 |
| 15 | SMT0001000 | TRUSS HD SLT MACH SCRW 1/4 X 1/2 | 12 |
| 16 | NMS0000250 | WHIZ NUT 1/4-20 - PLATED | 64 |
| 17 | SCC0010001 | HEX CAP SCREW,1/4-20 X 3/4 -PLATED | 12 |
| 18 | NCE0000250 | ESNA NUT NC 1/4" - PLATED | 4 |

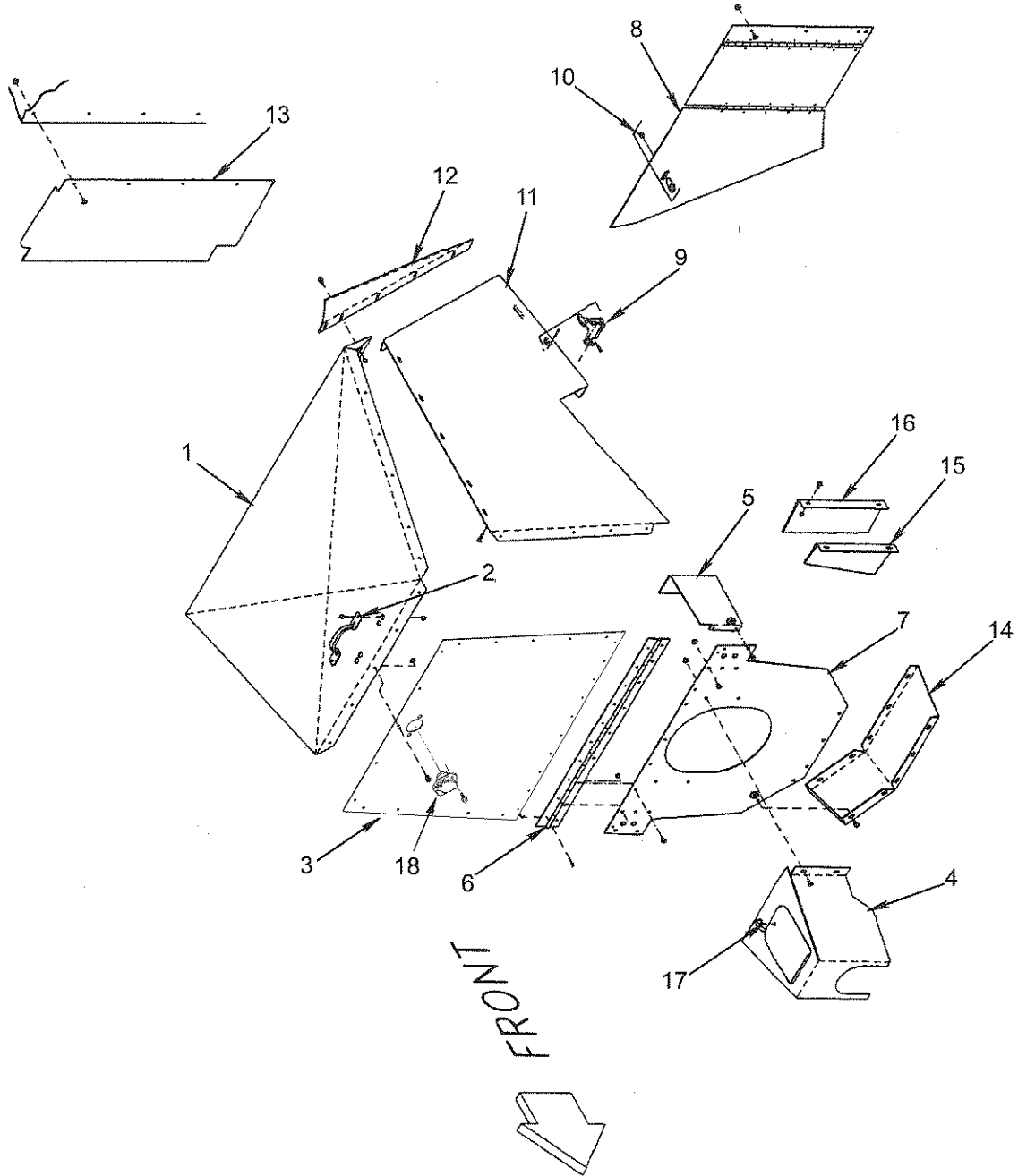
TOP COVERS AND KNOTTER FANS ASSEMBLY



TOP COVERS AND KNOTTER FANS ASSEMBLY

| REF NO. | PART NO. | DESCRIPTION | QTY. USED | REF NO. | PART NO. | DESCRIPTION | QTY. USED |
|---------|------------|-------------------------------------|-----------|---------|------------|-------------------------------------|-----------|
| 1 | CVR037639E | KNOTTER FAN SHROUD ASSEMBLY | 1 | 10 | GRM0002285 | 7/8ID 1-1/8OD 1/16GRV GROMMET | 2 |
| 2 | BMP0004243 | RUBBER BUMPER F/HOOD | 10 | 11 | CBT5151250 | 3/16 X 15-1/8 CABLE TIE | 4 |
| 3 | FST0010401 | MED DUTY FOLDING HANDLE FASTNR | 2 | 12 | MTR0022706 | KNOTTER FAN MOTOR W/LEADS | 2 |
| 4 | 900014 | LH KNOTTER COVER SUPPORT | 1 | | NFH0001032 | 10-32 NF HEX NUT - PLTD | 4 |
| | 900015 | RH KNOTTER COVER SUPPORT | 1 | | WCT0010000 | #10 FLAT WASHER | 4 |
| | NMS0000117 | 5/16 NC WHIZ NUT - PLTD | 2 | 13 | SUP5061231 | RH KNOTTER COVER SUPPORT | 1 |
| 5 | GRD0004432 | CAGE F/KNOTTER BLOWER-COMPLETE | 2 | | SUP5061240 | LH KNOTTER COVER SUPPORT | 1 |
| 6 | CLP0022526 | FAN GUARD CLIP | 16 | | NMS0000117 | 5/16 NC WHIZ NUT - PLTD | 4 |
| | WCT0000250 | 1/4 FLAT WASHER | 8 | | SMS0000184 | 5/16 X 3/4 NC WHIZ BOLT - PLTD | 4 |
| | NMS0000250 | 1/4 NC WHIZ NUT - PLTD | 8 | 14 | HNG1598500 | L. H. PLUNGER COVER HINGE SECT | 3 |
| 7 | FAN0250937 | FAN BLADE F/KNOTTER BLOWER | 2 | | NMS0000250 | 1/4 NC WHIZ NUT - PLTD | 6 |
| 8 | HNG1598501 | R. H. PLUNGER COVER HINGE SECT | 3 | | SMS0000171 | 1/4 X 5/8 NC WHIZ BOLT - PLTD | 6 |
| | NMS0000250 | 1/4 NC WHIZ NUT - PLTD | 6 | 15 | HNG1598600 | L. H. PLUNGER COVER HINGE SECT | 3 |
| | SMS0000171 | 1/4 X 5/8 NC WHIZ BOLT - PLTD | 6 | | NMS0000250 | 1/4 NC WHIZ NUT - PLTD | 6 |
| 9 | HNG1598601 | R. H. PLUNGER COVER HINGE SECT | 3 | | SMS0000171 | 1/4 X 5/8 NC WHIZ BOLT - PLTD | 6 |
| | NMS0000250 | 1/4 NC WHIZ NUT - PLTD | 6 | | SCC0020001 | 5/16 X 3/4 NC GRD 5 HEX BOLT - PLTD | 1 |
| | SMS0000171 | 1/4 X 5/8 NC WHIZ BOLT - PLTD | 6 | | NCE0000313 | 5/16 LOCK NUT NYLON INSERT | 1 |
| | SCC0020001 | 5/16 X 3/4 NC GRD 5 HEX BOLT - PLTD | 1 | 16 | CVR0023300 | REAR PLUNGER COVER ASSY | 1 |
| | NCE0000313 | 5/16 LOCK NUT NYLON INSERT | 1 | | WCT0000250 | 1/4 FLAT WASHER | 4 |
| | | | | | WLK0000250 | 1/4 S/T LOCK WASHER | 2 |
| | | | | | NCH0000250 | 1/4 NC HEX NUT - PLTD | 2 |
| | | | | | SCC0010001 | 1/4 X 3/4 NC GRD 5 HEX BOLT | 2 |
| | | | | 17 | CVR037735D | RH HALF PLUNGER CVR,SHLD | 1 |
| | | | | 18 | CVR037736D | LH HALF PLUNGER CVR,SHLD | 1 |
| | | | | 19 | SPC0506402 | SPACER, KNOTTER FANS | 8 |
| | | | | | SCC0000110 | 1/4 X 3 HEX HD BOLT GRD 5 - PLTD | 8 |
| | | | | 20 | CHN0506116 | CHAIN 3/6 LONG LINK | 2 |
| | | | | | SCC0010002 | 1/4 X 1 NC GRD 5 HEX BOLT | 2 |
| | | | | | WCT0000250 | 1/4 FLAT WASHER | 2 |
| | | | | 21 | 219382 | TAPE, SAFETY WALK 4 WIDE | A/R |
| | | | | 22 | MNT037717A | FAN SHROUD SPRING MOUNT | 1 |
| | | | | 23 | SPG0000090 | 90 LB GAS SPRING | 1 |
| | | | | 24 | SOK0000001 | METAL BALL SOK END FITTING | 2 |
| | | | | 25 | CLP0000002 | SAFETY CLIPS F/10MM BALL | 2 |
| | | | | 26 | STD0000M10 | M10 BALL STUD | 2 |
| | | | | 27 | NMS0000117 | WHIZ NUT 5/16-18 PLATED | 1 |

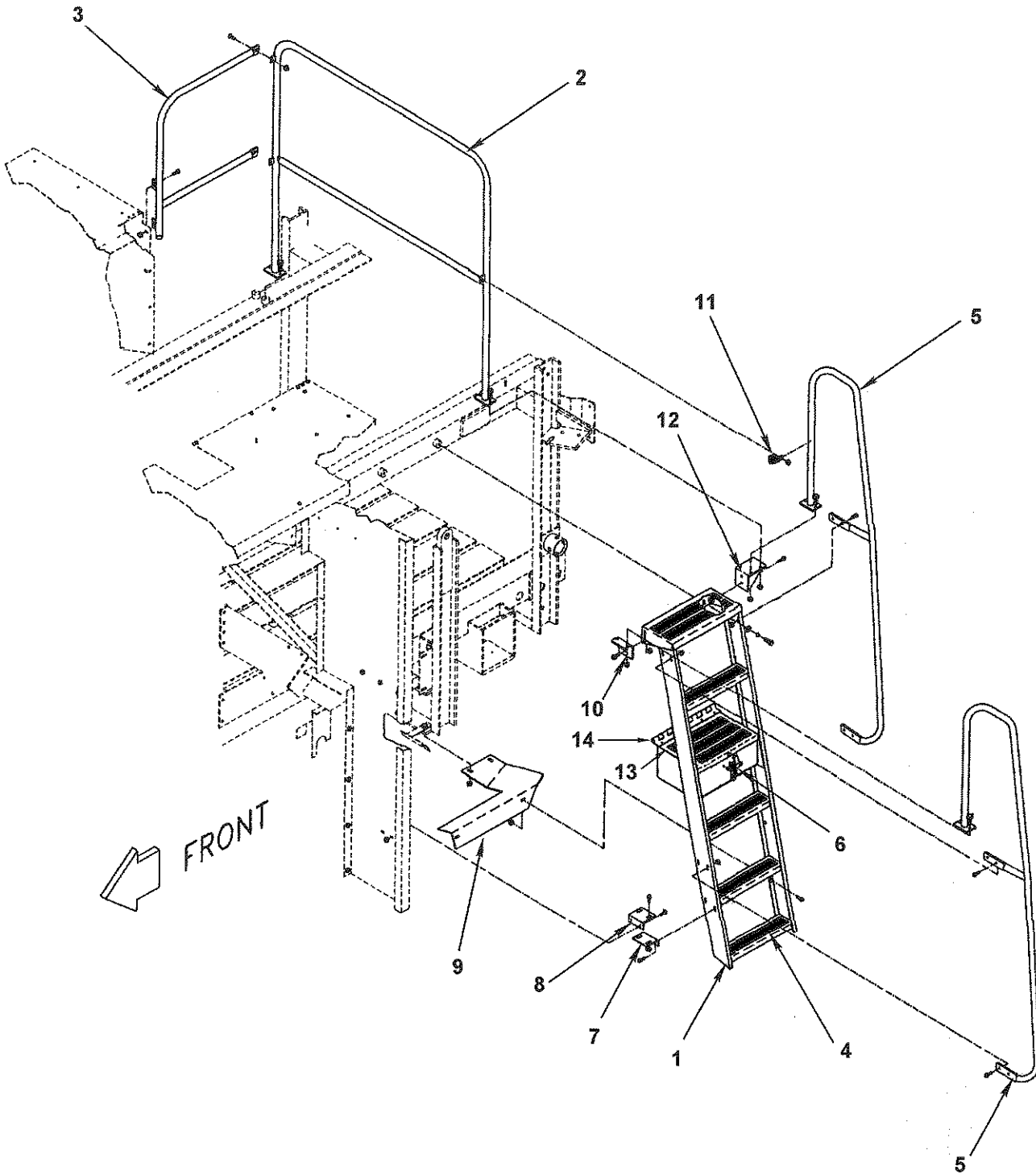
DRIVE UNIT SHIELDS ASSEMBLY



DRIVE UNIT SHIELDS ASSEMBLY

| REF NO. | PART NO. | DESCRIPTION | QTY. USED | REF NO. | PART NO. | DESCRIPTION | QTY. USED |
|---------|------------|---------------------------------|-----------|---------|------------|---------------------------------|-----------|
| 1 | SHD0023412 | DRIVE UNIT TOP SHIELD | 1 | 12 | SHD0235000 | L. H. DRIVE UNIT DUST SHD | 1 |
| 2 | HAN0000817 | CHROME GRAB HANDLE- | 1 | | SHD0235001 | R.H. DRIVE UNIT DUST SHD | 1 |
| | SMS0000171 | 1/4 X 5/8 NC WHIZ BOLT - PLTD | 4 | | SMS0000171 | 1/4 X 5/8 NC WHIZ BOLT - PLTD | 10 |
| | NMS0000240 | 1/4 NC WHIZ NUT - PLTD | 4 | | NMS0000240 | 1/4 NC WHIZ NUT - PLTD | 10 |
| 3 | SHD036133E | UPPER FRONT SHEAVE SHIELD | 1 | 13 | SHD0234050 | TOP FRONT SHIELD, LEFT | 1 |
| | SMS0000171 | 1/4 X 5/8 NC WHIZ BOLT - PLTD | 4 | | SHD0234051 | TOP FRONT SHIELD, RIGHT | 1 |
| | NMS0000240 | 1/4 NC WHIZ NUT - PLTD | 4 | | SMT0002001 | 5/16 X 3/4 MACHINE SCREW - PLTD | 8 |
| 4 | SHD0506642 | SHIELD, PTO CLUTCH COVER | 1 | | NMS0000117 | 5/16 NC WHIZ NUT - PLTD | 8 |
| | SMT0002001 | 5/16 X 3/4 MACHINE SCREW - PLTD | 4 | 14 | SHD0023422 | MAIN SHEAVE BOTTOM SHIELD | 1 |
| | NMS0000117 | 5/16 NC WHIZ NUT - PLTD | 4 | | SMS0000171 | 1/4 X 5/8 NC WHIZ BOLT - PLTD | 10 |
| 5 | SHD0235080 | L. H. SHEAVE DUST SHIELD | 1 | | NMS0000240 | 1/4 NC WHIZ NUT - PLTD | 10 |
| | SHD0235081 | R. H. SHEAVE DUST SHIELD | 1 | 15 | SHD0237720 | LH SIDE DUST SHD ASSY | 1 |
| | SMS0000171 | 1/4 X 5/8 NC WHIZ BOLT - PLTD | 4 | | SHD0237721 | RH SIDE DUST SHD-HESSTON ACCUM | 1 |
| | NMS0000240 | 1/4 NC WHIZ NUT - PLTD | 4 | | SMS0000171 | 1/4 X 5/8 NC WHIZ BOLT - PLTD | 4 |
| 6 | HNG0023458 | SHEAVE FRONT SHIELD HINGE | 1 | | NMS0000240 | 1/4 NC WHIZ NUT - PLTD | 4 |
| | RIV0000604 | 3/16X1/4 STAINLESS GRIP RIVET | 14 | 16 | SHD0237730 | L.H. REAR DUST SHD ASSY | 1 |
| 7 | SHD0023442 | SHEAVE FRONT LOWER SHIELD- | 1 | | SHD0237731 | R.H. REAR DUST SHD ASSY | 1 |
| | SMS0000171 | 1/4 X 5/8 NC WHIZ BOLT - PLTD | 9 | | SMS0000171 | 1/4 X 5/8 NC WHIZ BOLT - PLTD | 4 |
| | NMS0000240 | 1/4 NC WHIZ NUT - PLTD | 9 | | NMS0000240 | 1/4 NC WHIZ NUT - PLTD | 4 |
| 8 | CVR0234290 | LH FRONT ACCESS COVER ASY | 1 | 17 | SHD0237730 | L.H. REAR DUST SHD ASSY - 1592 | 1 |
| | CVR0234291 | RH FRONT ACCESS COVER ASY | 1 | 18 | SOK0012063 | SOCKET-7 CONDUCTOR | 1 |
| | SMS0000171 | 1/4 X 5/8 NC WHIZ BOLT - PLTD | 4 | | | | |
| | NMS0000240 | 1/4 NC WHIZ NUT - PLTD | 4 | | | | |
| 9 | LAT0000201 | RUBBER DRAW LATCH | 2 | | | | |
| 10 | FST0010401 | MED DUTY FOLDING HANDLE FASTNR | 2 | | | | |
| 11 | SHD0235050 | L.H. DRV UNIT SHIELD ASB | 1 | | | | |
| | SHD0235051 | R.H. DRV UNIT SHIELD ASB | 1 | | | | |
| | SMS0000171 | 1/4 X 5/8 NC WHIZ BOLT - PLTD | 10 | | | | |
| | NMS0000240 | 1/4 NC WHIZ NUT - PLTD | 10 | | | | |

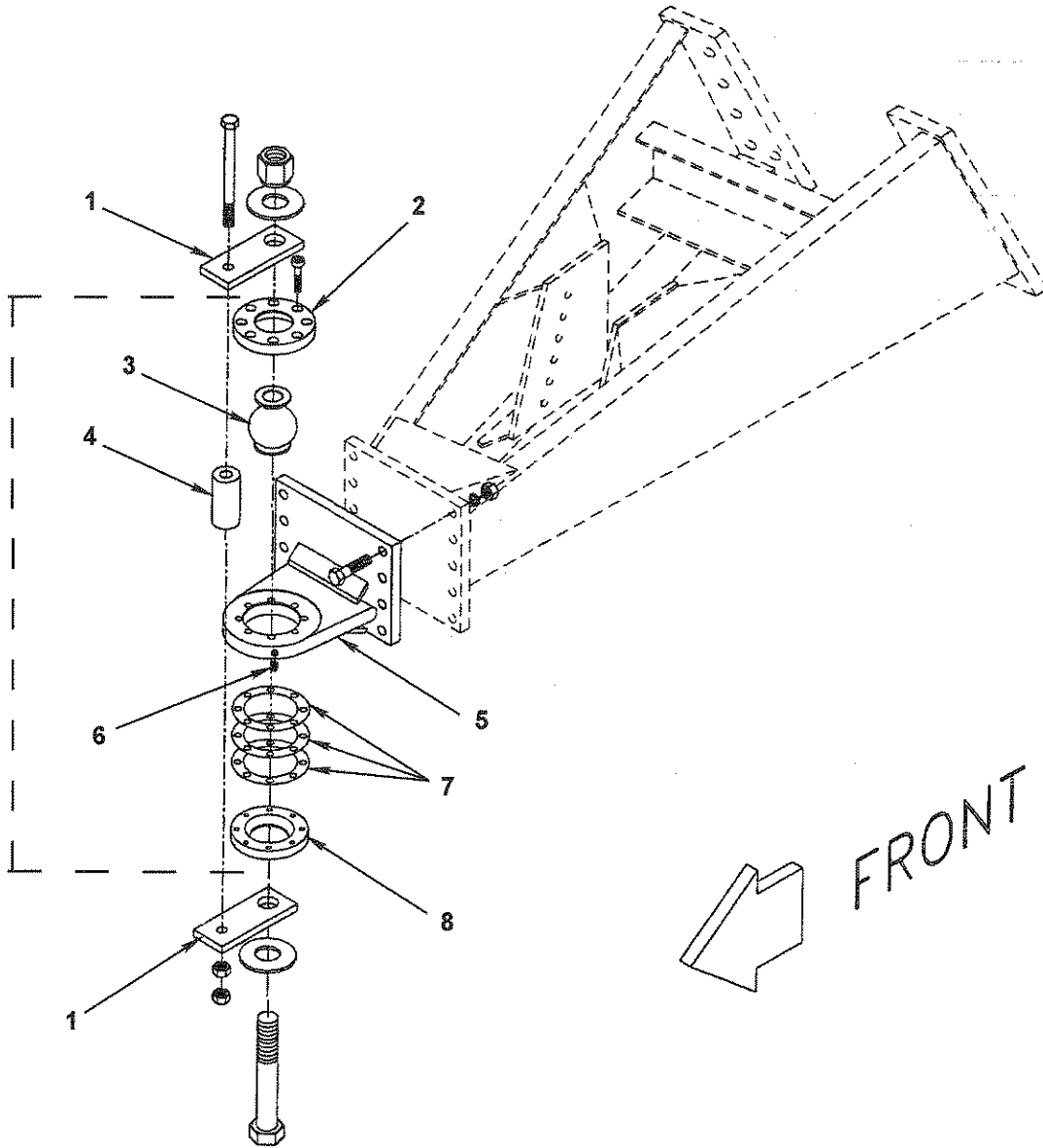
SERVICE LADDER AND HANDRAILS ASSEMBLY



SERVICE LADDER AND HANDRAILS ASSEMBLY

| REF NO. | PART NO. | DESCRIPTION | QTY. USED | REF NO. | PART NO. | DESCRIPTION | QTY. USED |
|---------|------------|--------------------------------|-----------|---------|------------|--------------------------------|-----------|
| 1 | LDR0023313 | SERVICE LADDER ASSEMBLY - | 1 | 7 | BRC0025407 | SERVICE LADDER BRACE-AFT/4-92 | 1 |
| | SMS0000184 | 5/16 X 3/4 NC WHIZ BOLT - PLTD | 2 | | SMS0000184 | 5/16 X 3/4 NC WHIZ BOLT - PLTD | 2 |
| | NMS0000117 | 5/16 NC WHIZ NUT - PLTD | 2 | | NMS0000117 | 5/16 NC WHIZ NUT - PLTD | 2 |
| | SCC0030002 | 3/8 X 1 NC HT CAPSCREW - PLTD | 2 | 8 | BRC0025406 | SERVICE LADDER BRACE-AFT/4-92 | 1 |
| | WLK0000375 | 3/8 MEDIUM LOCK WASHER - PLTD | 2 | | SMS0000184 | 5/16 X 3/4 NC WHIZ BOLT - PLTD | 2 |
| | WCT0000375 | 3/8 FLAT WASHER - PLTD | 2 | | NMS0000117 | 5/16 NC WHIZ NUT - PLTD | 2 |
| 2 | RAL0024153 | REAR RAIL ASSEMBLY | 1 | 9 | SUP0023344 | LADDER SUPPORT | 1 |
| | SMS0000177 | 5/16 X 1 NC WHIZ BOLT - PLTD | 2 | | SMS0000177 | 5/16 X 1 NC WHIZ BOLT - PLTD | 2 |
| | NMS0000117 | 5/16 NC WHIZ NUT - PLTD | 2 | | NMS0000117 | 5/16 NC WHIZ NUT - PLTD | 2 |
| | SMS0000181 | 3/8 X 3/4 NC WHIZ BOLT - PLTD | 2 | 10 | BKT0023510 | SERV LADDER HANDRAIL TOP BKT | 1 |
| 3 | RAL0024152 | SIDE RAIL ASSEMBLY | 1 | | SMS0000177 | 5/16 X 1 NC WHIZ BOLT - PLTD | 2 |
| | SMS0000184 | 5/16 X 3/4 NC WHIZ BOLT - PLTD | 4 | | NMS0000117 | 5/16 NC WHIZ NUT - PLTD | 2 |
| | NMS0000117 | 5/16 NC WHIZ NUT - PLTD | 4 | 11 | CLP7701163 | 1"INSULATED HOSE CLP W/13/32" | 2 |
| 4 | STP0002000 | STEP COVER-SAFETY WALK 2" | 10 | | SMS0000184 | 5/16 X 3/4 NC WHIZ BOLT - PLTD | 1 |
| 5 | RAL0023318 | SERVICE LADDER HANDRAIL ASSY. | 2 | | NMS0000117 | 5/16 NC WHIZ NUT - PLTD | 1 |
| | SMS0000184 | 5/16 X 3/4 NC WHIZ BOLT - PLTD | 8 | 12 | BKT0024175 | LADDER HANDRAIL BRACKET | 1 |
| | NMS0000117 | 5/16 NC WHIZ NUT - PLTD | 12 | | SMS0000177 | 5/16 X 1 NC WHIZ BOLT - PLTD | 2 |
| | SMS0000177 | 5/16 X 1 NC WHIZ BOLT - PLTD | 4 | | NMS0000117 | 5/16 NC WHIZ NUT - PLTD | 2 |
| 6 | CLP0000130 | HOOK-TYPE FASTENER | 1 | 13 | CVR0023598 | TOOL BOX COVER ASSEMBLY | 1 |
| | RIV0000604 | 3/16X1/4 STAINLESS GRIP RIVET | 12 | 14 | HNG0023485 | HINGE | 1 |

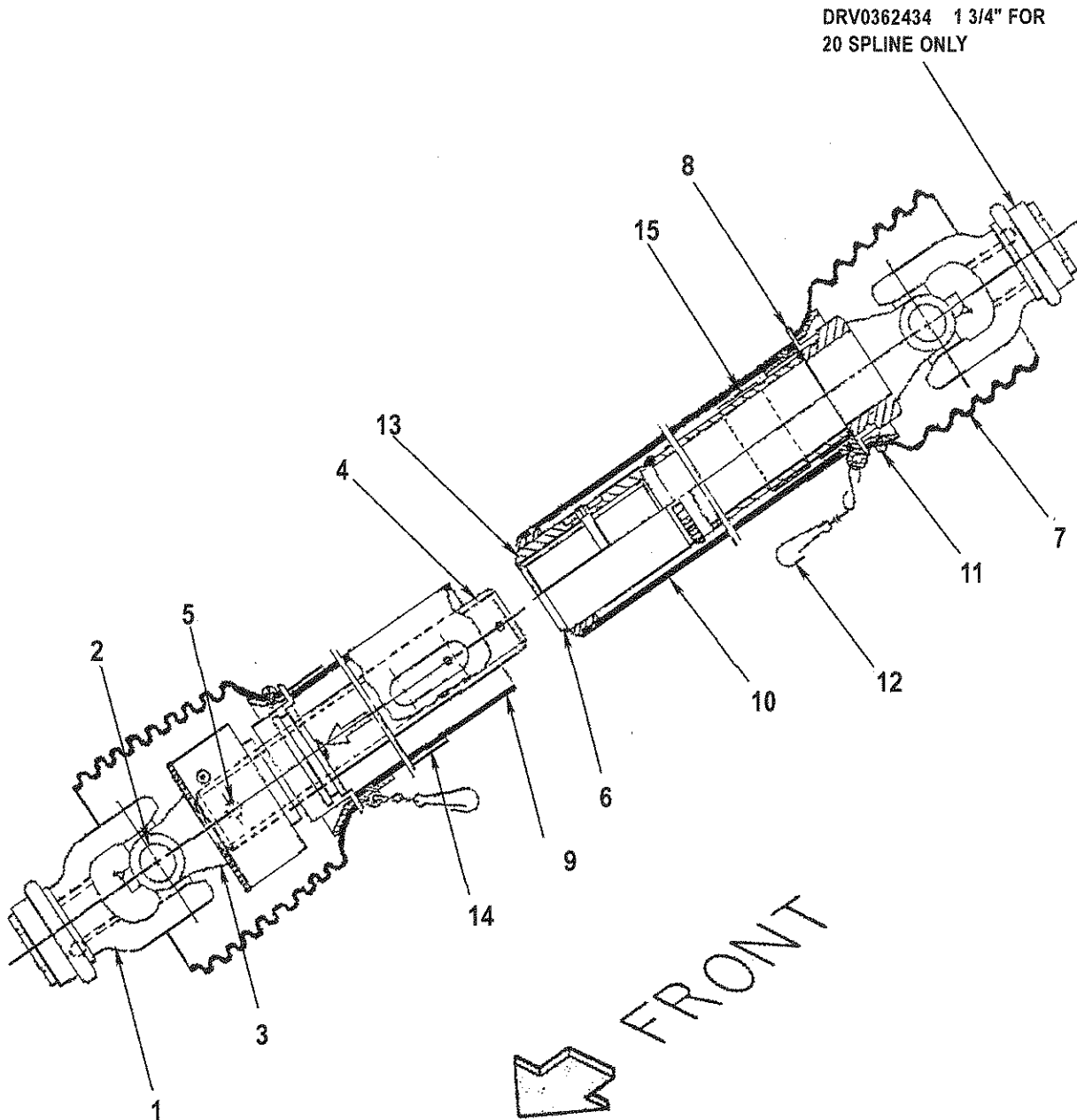
BALL HITCH ASSEMBLY



BALL HITCH ASSEMBLY

| REF NO. | PART NO. | DESCRIPTION | QTY. USED |
|------------|-------------|-----------------------------------|--------------|
| 1 | PLT0021488 | CLEVIS PIN PLATE | 2 |
| | SCC0000721 | 5/8 X 7-1/2 NC HT CAP SCREW | 1 |
| | NCH0000625 | 5/8 NC HEX NUT PLTD | 2 |
| 2 | PLT0021486 | BALL HITCH TOP PLATE | 1 |
| | SCS0000306 | 3/8 X 2 NC SOCKET HD CS - PLTD | 8 |
| 3 | HTH0021490 | HITCH BALL | 1 |
| 4 | SPC0021489 | CLEVIS PLT SPACER | 1 |
| | SCC0001325 | 1-1/4 X 9-1/2 NC HT CAP SCREW | 1 |
| | WCT0125000 | 1-1/4" FLATWASHER | 2 |
| | NCE0012500 | 1-1/4" NC ESNA NUT - PLTD | 1 |
| 5 | HTH0021484 | OPTIONAL BALL HITCH MOUNT | 1 |
| | SCC0070008 | 5/8 X 2-1/2 NC HT CAPSCREW - PLTD | 8 |
| | WLK0000625 | 5/8 MEDIUM LOCKWASHER - PLTD | 8 |
| | NCH0000625 | 5/8 NC HEX NUT - PLTD | 8 |
| 6 | ZZ 0000103 | 1/8 NPT STR 5/16 HEX ZERK | 1 |
| 7 | SHM0021483 | HITCH BALL SHIM | 4 |
| 8 | PLT0021487 | BALL HITCH BOTTOM PLATE | 1 |
| 2-8 | KIT0015001 | HEAVY BALL HITCH ASSY | |

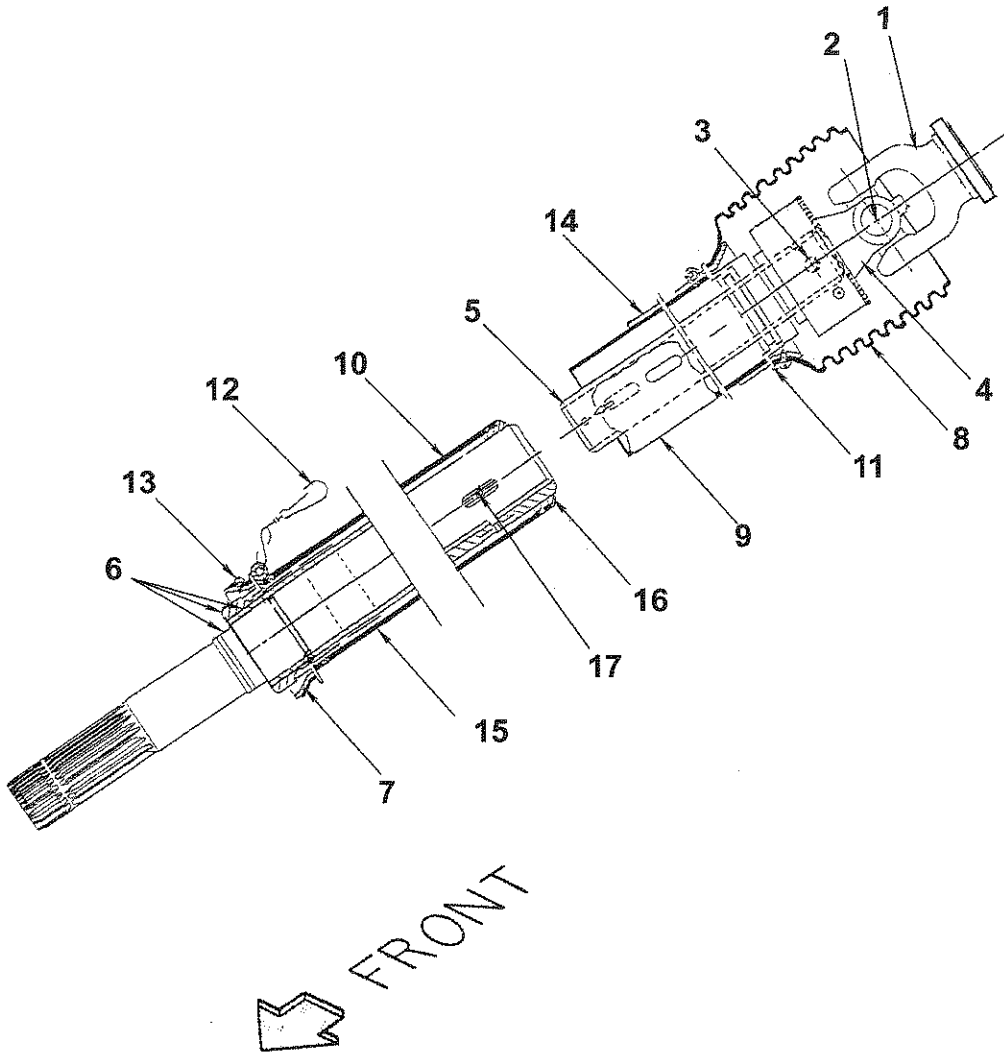
P.T.O. SHAFT ASSEMBLY



P.T.O. SHAFT ASSEMBLY

| REF NO. | PART NO. | DESCRIPTION | QTY. USED |
|------------|-------------|----------------------------------|--------------|
| 1 | DRV0362430 | FRONT YOKE 1 3/8" FOR 21 SPLINE | 1 |
| | DRV0362434 | FRONT YOKE 1 3/4" FOR 20 SPLINE | 1 |
| 2 | DRV0312209 | U-JOINT KIT F/1500 REAR DRVLIN | 2 |
| 3 | YOK0174039 | INBOARD YOKE F/DRV389774 1-3/4 | 1 |
| 4 | DRV0388944 | INNER PROFILE FOR 20 SPLINE | 1 |
| | DRV0388242 | INNER PROFILE FOR 21 SPLINE | 1 |
| 5 | DRV0304046 | SPRING PACK | 1 |
| 6 | DRV0389775 | SLEEVE, TUBE & INBOARD YOKE 20SP | 1 |
| | DRV0388243 | SLEEVE, TUBE & INBOARD YOKE 21SP | 1 |
| 7 | DRV0365387 | SHIELD CONE 7-RIB | 2 |
| 8 | DRV0087276 | BEARING RING | 2 |
| 9 | DRV0389772 | OUT SHIELD TUBE OVL | 1 |
| | DRV0389776 | OUT SHIELD TUBE OVL | 1 |
| 10 | DRV0389773 | INN. SHIELD TUBE ROUND | 1 |
| | DRV0389777 | INN. SHIELD TUBE ROUND | 1 |
| 11 | DRV0365305 | SCREW | 2 |
| 12 | CHN0044321 | SAFETY CHAIN | 2 |
| 13 | DRV0355155 | SUPPORT BEARING | 1 |
| 14 | DRV0383333 | DECAL OUT. IN ITEM 11 | 1 |
| 15 | DRV0383334 | DECAL INN. IN ITEM C | 1 |

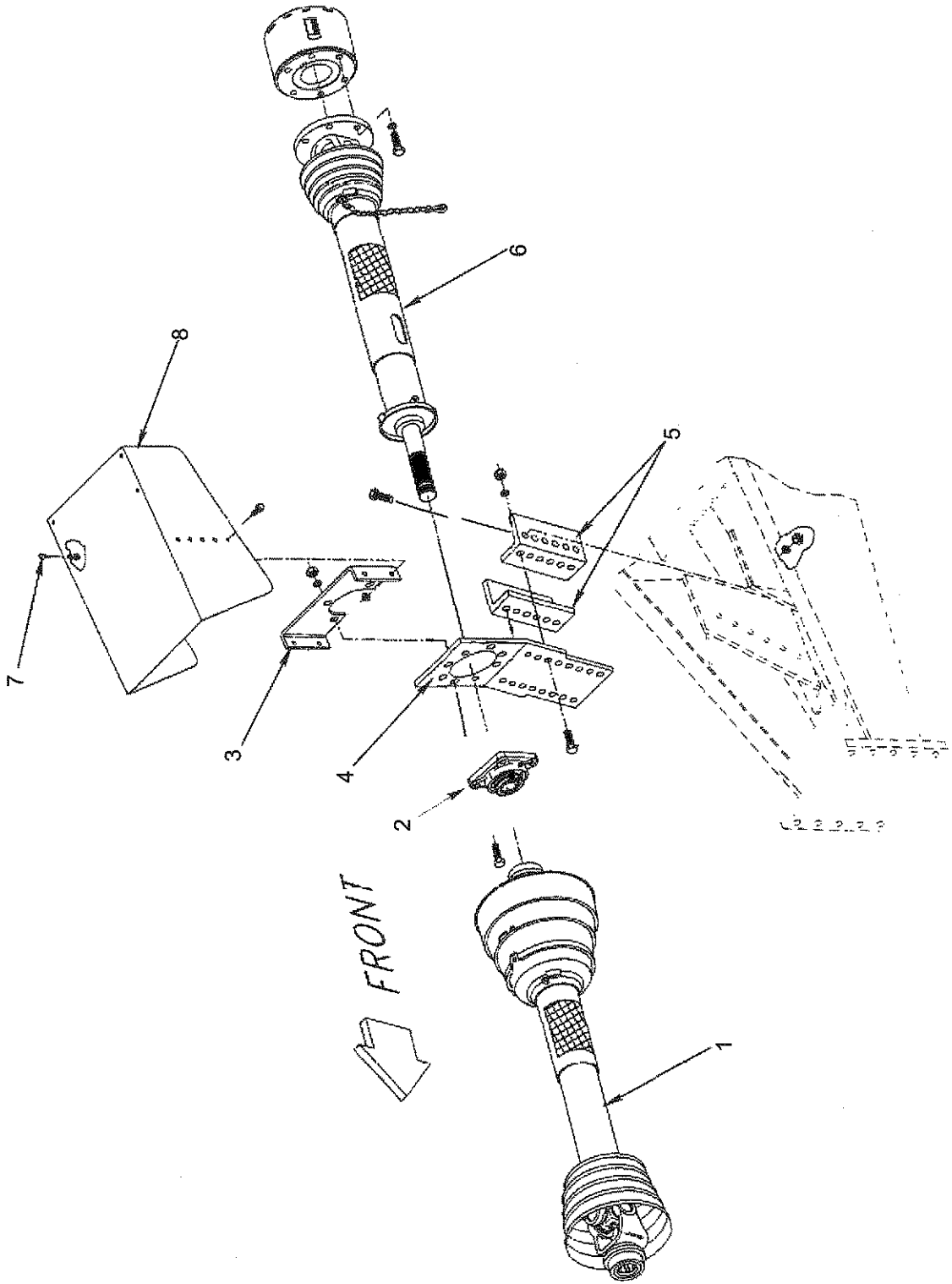
P.T.O. SHAFT ASSEMBLY



P.T.O. SHAFT ASSEMBLY

| REF NO. | PART NO. | DESCRIPTION | QTY. USED |
|------------|-------------|--|--------------|
| 1 | DRV0323155 | FLANGE YOKE | 1 |
| 2 | DRV0312209 | U-JOINT KIT F/1500 REAR DRVLIN | 1 |
| 3 | DRV0304046 | SPRING PACK | 1 |
| 4 | DRV0097133 | INBOARD YOKE S4 | 1 |
| 5 | DRV0323756 | INNER PROFILE S4 | 1 |
| 6 | DRV0389778 | S5 PROFILE, SLEEVE, SHEILD SUPPORT & STUB SHAFT | 1 |
| 7 | DRV0365556 | GUARD RING | 1 |
| 8 | DRV0365385 | SHIELD CONE - 5 RIB | 1 |
| 9 | DRV0389780 | OUTER SHIELD TUBE OVAL | 1 |
| 10 | DRV0389781 | INNER SHIELD TUBE RND | 1 |
| 11 | DRV0087276 | BEARING RING | 2 |
| 12 | CHN0044321 | SAFETY CHAIN | 1 |
| 13 | DRV0365305 | SCREW | 2 |
| 14 | DRV0383333 | DECAL OUT. IN ITEM 11 | 1 |
| 15 | DRV0383334 | DECAL INN. IN ITEM C | 1 |
| 16 | DRV0355155 | SUPPORT BEARING | 1 |
| 17 | DRV0380371 | ZERK FITTING | 1 |

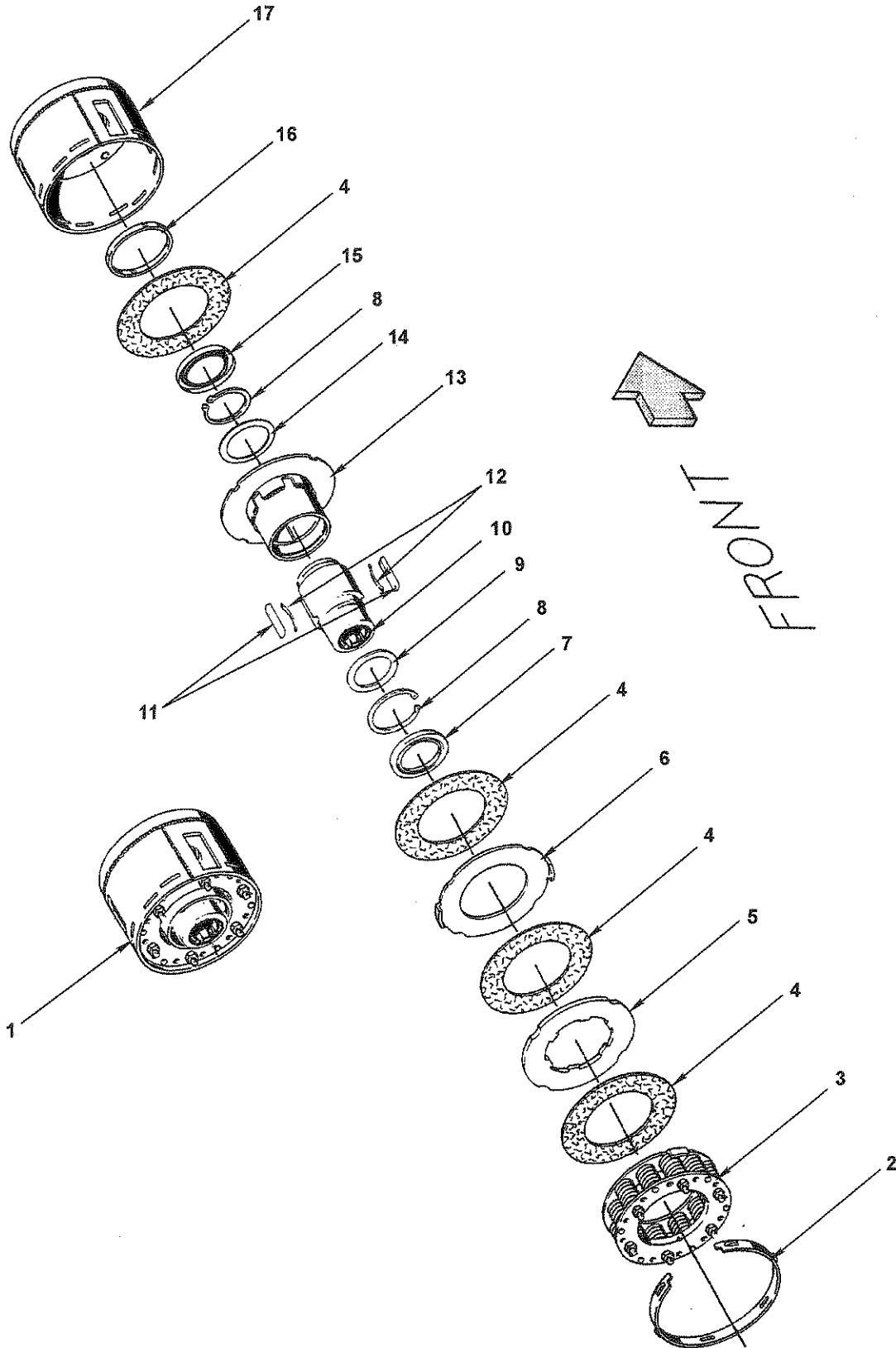
3-PIECE P.T.O. DRIVE LINE ASSEMBLY



3-PIECE P.T.O. DRIVE LINE ASSEMBLY

| REF NO. | PART NO. | DESCRIPTION | QTY. USED |
|------------|-------------|--------------------------------|--------------|
| 1 | DRV0389771 | 1-3/8"x21 FRNT SHF F/3PC DRVLN | 1 |
| | DRV0389774 | 1-3/4"x20 FRNT SHF F/3PC DRVLN | 1 |
| 2 | BRG0000022 | HEAVY DUTY CENTER BEARING | 1 |
| | SCC0050004 | 1/2 X 1-1/2 NC HT CS - PLATED | 4 |
| | WLK0000500 | 1/2" LOCKWASHER - PLATED | 4 |
| | NCH0000500 | 1/2" NC HEX NUT - PLATED | 4 |
| 3 | BKT0027448 | PTO SHAFT SHIELD BRACKET | 1 |
| | SCC0050004 | 1/2 X 1-1/2 NC HT CS - PLATED | 4 |
| | WLK0000500 | 1/2" LOCKWASHER - PLATED | 4 |
| | NCH0000500 | 1/2" NC HEX NUT - PLATED | 4 |
| 4 | MNT0028883 | PTO SHAFT BRG MNT-A/8-94 | 1 |
| | SCC0050004 | 1/2 X 1-1/2 NC HT CS - PLATED | 4 |
| | WLK0000500 | 1/2" LOCKWASHER - PLATED | 4 |
| | NCH0000500 | 1/2" NC HEX NUT - PLATED | 4 |
| 5 | ANG0027391 | PTO SHF CTR BRG MNT ANGLE | 2 |
| | SCC0050004 | 1/2 X 1-1/2 NC HT CS - PLATED | 4 |
| | WLK0000500 | 1/2" LOCKWASHER - PLATED | 4 |
| | NCH0000500 | 1/2" NC HEX NUT - PLATED | 4 |
| 6 | DRV0389779 | SECONDARY SHAFT F/3PC DRIVLINE | 1 |
| | SCCM112025 | 12M X 25M MC HEX HD CS-PLT-8.8 | 6 |
| | WLKM100120 | 12 MM LOCKWASHER - PLATED | 6 |
| 7 | BMP0093769 | MOUNT,SANDWICH SNGL STUD | 2 |
| | NMS0000250 | 1/4" NC WHIZ NUT - PLATED | 2 |
| 8 | SHD037078E | PTO SHAFT SHIELD -W/DECAL | 1 |
| | SMS0000184 | 5/16 X 3/4 NC WHIZ BOLT-PLATED | 4 |
| | NMS0000117 | 5/16" NC WHIZ NUT- PLATED | 4 |

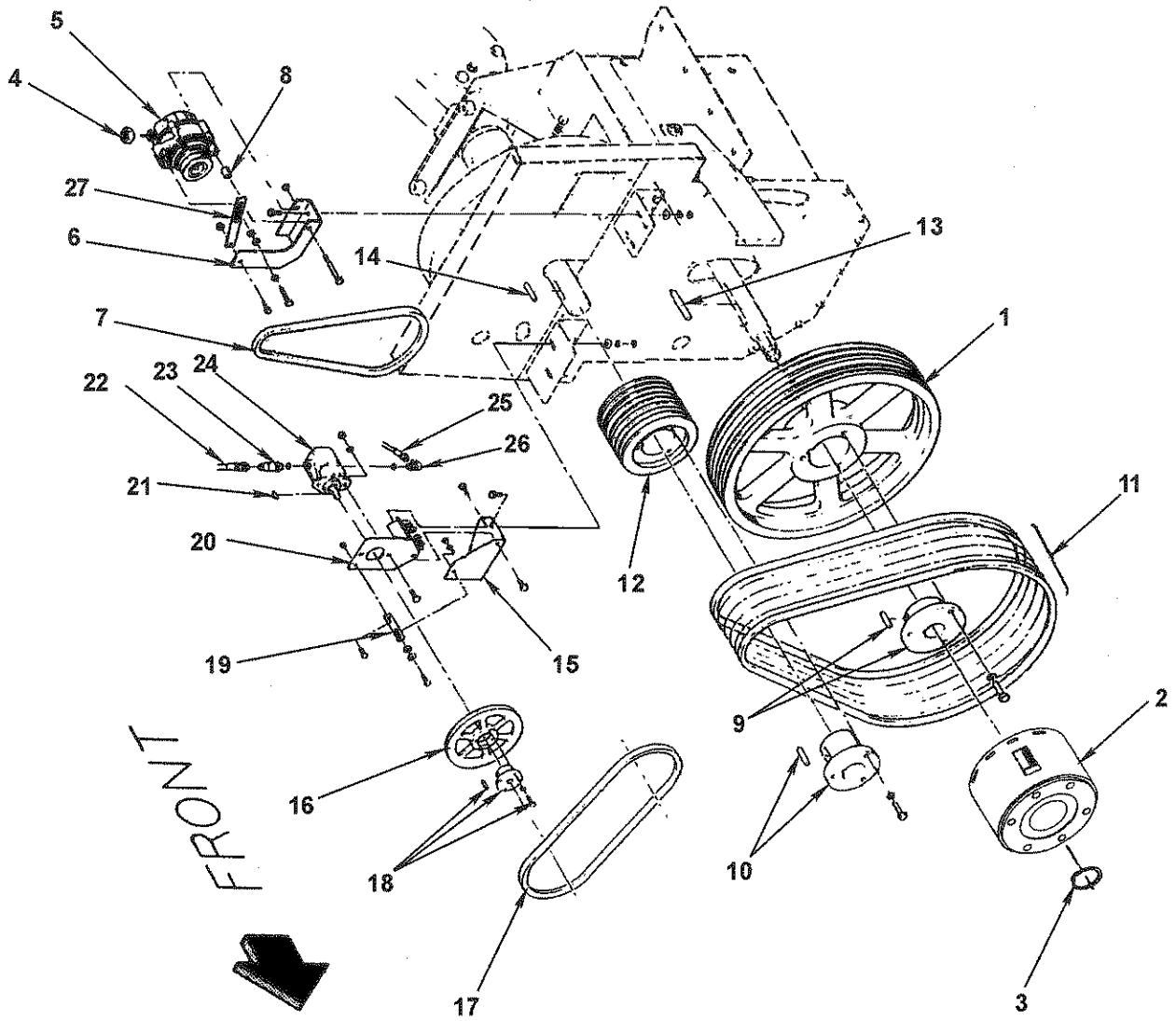
P.T.O. CLUTCH ASSY ASSEMBLY



P.T.O. CLUTCH ASSY ASSEMBLY

| REF NO. | PART NO. | DESCRIPTION | QTY. USED |
|------------|-------------|------------------------|--------------|
| 1 | CLH0388110 | TORQUE LIMITER CLUTCH | 1 |
| 2 | RNG0367720 | SETTING RING | 1 |
| 3 | CLH0377672 | HEAVY DUTY SPRING PACK | 1 |
| 4 | CLH0177009 | FRICTION DISK | 4 |
| 5 | PLT0367725 | DRIVE PLATE | 1 |
| 6 | PLT0367726 | DRIVE PLATE | 1 |
| 7 | RNG0170012 | SEALING RING | 1 |
| 8 | RNG0702100 | RETAINING RING | 2 |
| 9 | DSK0304235 | WASHER | 1 |
| 10 | DRV0388109 | HUB 1-3/4" 6 SPLINE | 1 |
| 11 | KEY0331737 | KEY | 2 |
| 12 | SPG0332185 | LEAF SPRING | 2 |
| 13 | HSN0177008 | HOUSING & DRIVE PLATE | 1 |
| 14 | DSK0353203 | WASHER | 1 |
| 15 | RNG0175048 | SEAL RING | 1 |
| 16 | RNG0367718 | RING | 1 |
| 17 | HSN0388108 | CLUTCH HOUSING | 1 |

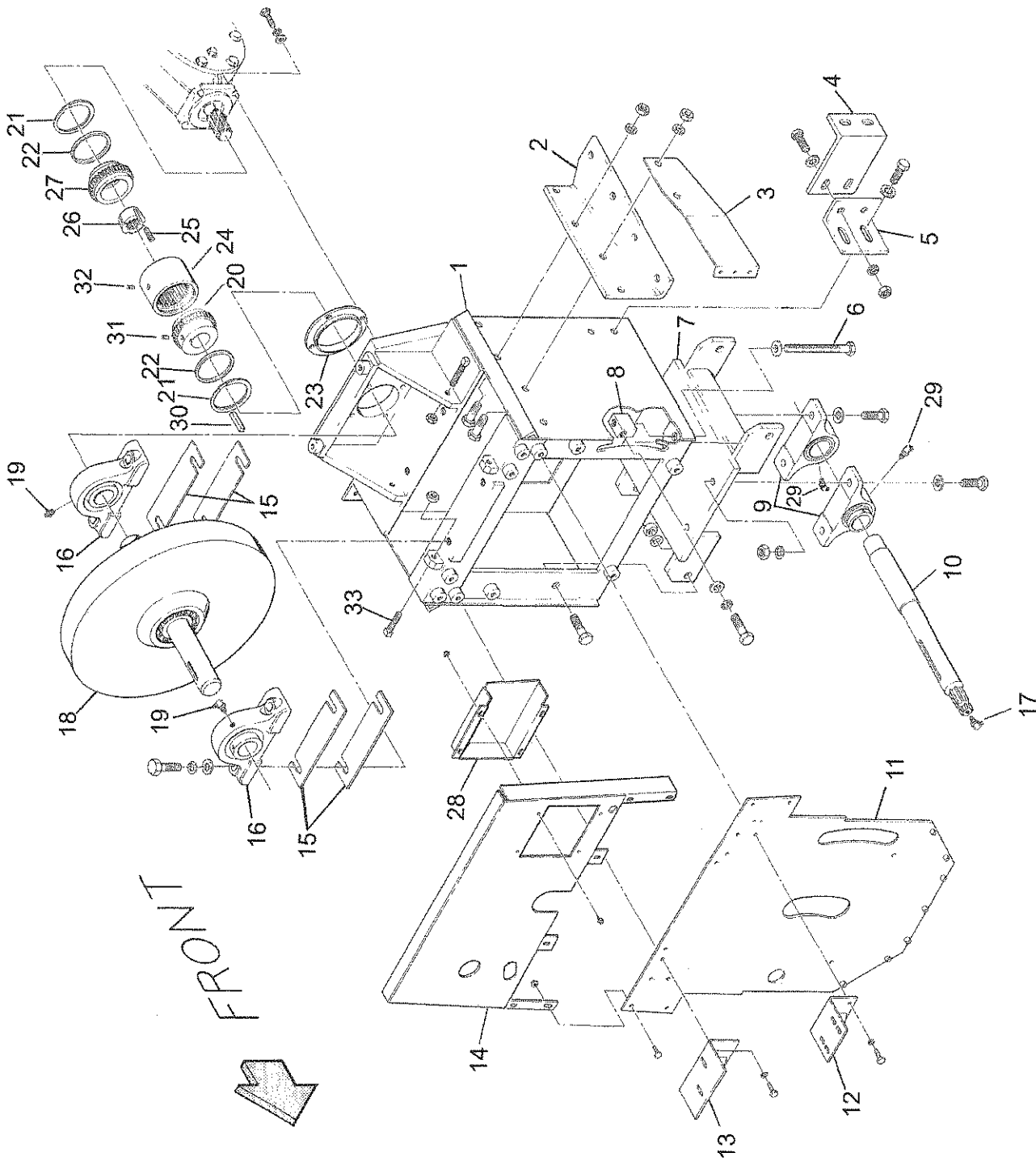
MECHANICAL DRIVE UNIT



MECHANICAL DRIVE UNIT

| REF NO. | PART NO. | DESCRIPTION | QTY. USED | REF NO. | PART NO. | DESCRIPTION | QTY. USED |
|---------|------------|-----------------------------------|-----------|---------|------------|----------------------------------|-----------|
| 1 | SHV0000250 | SHEAVE | 1 | 16 | SHV0000079 | SHEAVE | 1 |
| 2 | CLH0388110 | NEW CLUTCH-TORQUE | 1 | 17 | BLT0000042 | COG BELT-MECHANICAL DRIVE UNIT | 1 |
| 3 | RNG5160175 | 1-3/4"H.D.EXTERNAL SNAP RING | 1 | 18 | BSH0005625 | "H" X 9/16"BUSHING | 1 |
| 4 | NCHM008125 | GR 8.8 HEX NUT 8M X 1.25 MC | 1 | | WLK0000250 | LOCKWASHER 1/4" - PLATED | 3 |
| 5 | ALT1002116 | ALTERNATOR | 1 | 19 | BKT0015770 | TNS CNTRL PUMP TENSION BRACKET | 1 |
| | WCT0000313 | FLAT WASHER 5/16 -PLATED | 2 | | SCC0020002 | HEX HEAD CAP SCREW 5/16-18 X 1 | 1 |
| | SCCM108035 | 8M X 1.25 X 35 HEX HEAD CAP SCREW | 1 | | WCT0000313 | FLAT WASHER 5/16 -PLATED | 2 |
| | WLKM100080 | 8 MM DIN 127 LOCKWASHER | 1 | | NCH0000313 | HEX NUT NC 5/16 - PLATED | 1 |
| 6 | BKT0023414 | ALTERNATOR MOUNT BRACKET | 1 | | WLK0000313 | 5/16" MEDIUM LOCKWASHER | 1 |
| | WLK0000375 | 3/8" MEDIUM LOCKWASHER - PLTD | 2 | | SCC0020001 | HEX HD CS NC 5/16 X 3/4 - PLATED | 1 |
| | SCC0030002 | HEX HEAD CS 3/8-16 X 1"GRADE 5 | 2 | | NCE0000313 | ESNA NUT NC 5/16 - PLATED | 1 |
| | NCH0000375 | HEX NUT NC 3/8 - PLATED | 2 | 20 | MNT0018742 | SAE "AA" 2-BOLT PUMP MNT | 1 |
| | WCT0000375 | FLAT WASHER 3/8 USS | 2 | | WLK0000375 | FLAT WASHER 3/8 USS | 2 |
| 7 | BLT0000038 | ALTERNATOR COG BELT | 1 | | NCH0000375 | HEX NUT NC 3/8 | 2 |
| 8 | SPC0028022 | ALTERNATOR SPACER | 1 | | SCC0030002 | HEX HEAD CAP SCREW 3/8-16 X 1" | 2 |
| | NCE0000375 | ESNA NUT 3/8-16 PLATED | 1 | 21 | ZZ00000403 | 1/8 X 1/8 X 1 KEY | 1 |
| | SCC0030013 | HEX HD CS NC 3/8 X 3-3/4 - PLATED | 1 | 22 | HOS0023494 | TENSION PUMP SUCTION HOSE | 1 |
| 9 | BSH0121875 | S1X2-3/16 BUSHING | 1 | 23 | HYD5515045 | 1/2 JIC X 5/8 O-RING 90* ELBOW | 1 |
| | WLK0000500 | 1/2" MEDIUM LOCKWASHER - PLATED | 3 | 24 | PMP0022226 | LEFT HAND PUMP | 1 |
| | SCC0050007 | 1/2-13 X 2-1/4 CAP SCREW-PLATED | 3 | | NCH0000375 | HEX NUT NC 3/8 - PLATED | 2 |
| 10 | BSH0221875 | 1/2-13 X 2-1/4 CAP SCREW-PLATED | 1 | | SCC0030002 | HEX HEAD CS 3/8-16 X 1"GRADE 5 | 2 |
| | SCS0000306 | 5/8 X 2 NC HT CS - PLATED | 3 | | WLK0000375 | 3/8" MEDIUM LOCKWASHER - PLTD | 2 |
| | WLK0000375 | 3/8" MEDIUM LOCKWASHER - PLTD | 3 | 25 | HOS036690A | TENSION PUMP HOSE | 1 |
| 11 | BLT0005950 | BELT-COG (COG BELT) | 6 | 26 | HYD5515043 | 1/2 JIC X 3/8 O-RING 90* ELBOW | 1 |
| 12 | SHV0000080 | FLYWHEEL & DRIVE SHEAVE | 1 | 27 | BKT0023423 | ALTERNATOR BELT TENSION BRACKET | 1 |
| 13 | ZZ00000438 | 3/8 X 3/8 X 1 KEY | 1 | | SCC0020001 | HEX HD CS NC 5/16 X 3/4 - PLATED | 1 |
| 14 | F000000072 | KEY F/ FLYWHEEL & PINION SHAFT | 1 | | NCE0000313 | ESNA NUT NC 5/16 - PLATED | 1 |
| 15 | MNT0023288 | TENS CONTROL PUMP MNT BKT | 1 | | | | |
| | WLK0000375 | 3/8" MEDIUM LOCKWASHER - PLTD | 2 | | | | |
| | SCC0030002 | HEX HEAD CS 3/8-16 X 1"GRADE 5 | 2 | | | | |
| | NCH0000375 | HEX NUT NC 3/8 - PLATED | 2 | | | | |
| | WCT0000375 | FLAT WASHER 3/8 USS | 2 | | | | |

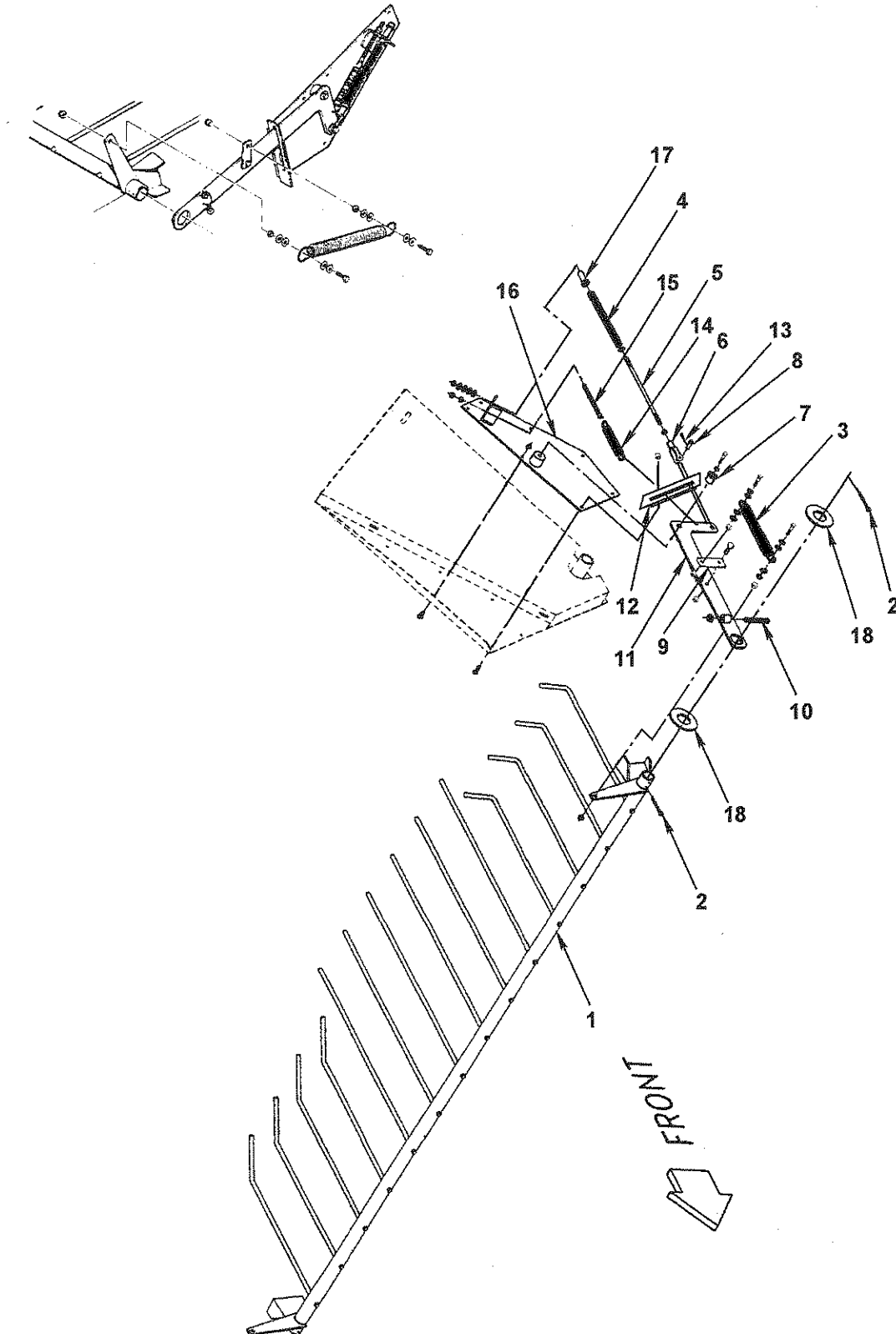
MECHANICAL DRIVE UNIT ASSEMBLY CONTINUED



MECHANICAL DRIVE UNIT ASSEMBLY CONTINUED

| REF NO. | PART NO. | DESCRIPTION | QTY. USED | REF NO. | PART NO. | DESCRIPTION | QTY. USED |
|---------|------------|--------------------------------|-----------|---------|------------|-----------------------------------|-----------|
| 1 | FRM037528E | FLYWHEEL MOUNT FRAME | 1 | 11 | SHD0023440 | FLYWHEEL FRONT SHIELD BOTTOM | 1 |
| 2 | BKT0216260 | L. H. FLYWHEEL FRAME MOUNT BKT | 1 | | SMS0000184 | 5/16 X 3/4 NC WHIZ BOLT-PLATED | 4 |
| | BKT0216261 | R. H. FLYWHEEL FRAME MOUNT BKT | 1 | | NMS0000117 | 5/16" NC WHIZ NUT - PLATED | 4 |
| | WLK0000625 | 5/8" MEDIUM LOCKWASHER - PLTD | 4 | 12 | BKT0026243 | ALTERNATOR SUPT BKT ASY | 1 |
| | NCH0000625 | 5/8" NC HEX NUT - PLATED | 12 | | WLK0000375 | 3/8" MEDIUM LOCKWASHER - PLTD | 4 |
| | WCT0000625 | 5/8" FLATWASHER -PLATED | 16 | | SCC0030002 | 3/8 X 1 NC HT CS - PLATED | 4 |
| | SCC0070006 | 5/8 X 2 NC HT CS - PLATED | 8 | 13 | MNT0023468 | TENSION PUMP MOUNT ASSY | 1 |
| | SCC0070005 | 5/8 X 1-3/4 NC HT CS - PLATED | 4 | | WLK0000375 | 3/8" MEDIUM LOCKWASHER - PLTD | 4 |
| 3 | BKT0233410 | L. H. FRT SLEEVE CVR SUPT BKT | 1 | | SCC0030002 | 3/8 X 1 NC HT CS - PLATED | 4 |
| | BKT0233411 | R. H. FRT SLEEVE CVR SUPT BKT | 1 | 14 | SHD0026246 | FLYWHEEL FRT SHD TOP ASSY | 1 |
| | WLK0000625 | 5/8" MEDIUM LOCKWASHER - PLTD | 4 | 15 | SHM037463A | FLYWHEEL BRG SHIM-10GA | A/R |
| | NCH0000625 | 5/8" NC HEX NUT - PLATED | 4 | | SHM037359A | FLYWHEEL BRG SHIM-16GA | A/R |
| | SCC0070006 | 5/8 X 2 NC HT CS - PLATED | 4 | | SHM037360A | FLYWHEEL BRG SHIM-30GA | A/R |
| 4 | SUP0021636 | ANCHOR SUPPORT | 2 | | SHM037460A | FLYWHEEL BRG SHIM-38GA | A/R |
| | SCC0070006 | 5/8 X 2 NC HT CS - PLATED | 4 | 16 | BRG0000021 | 2-3/16"PILLOW BLOCK BRG | 2 |
| | WLK0000625 | 5/8" MEDIUM LOCKWASHER - PLTD | 4 | | WAS0000105 | STRUCTURAL WASHER 5/8 -PLATED | 4 |
| | WCT0000625 | 5/8" FLATWASHER -PLATED | 4 | | SCC0070008 | HEX HD CS NC 5/8 X 2-1/2 - PLATED | 4 |
| | NCH0000625 | 5/8" NC HEX NUT - PLATED | 4 | 17 | ZZ 0000107 | 1/8 NPT 45° X 7/16 HEX ZERK | 1 |
| | WAS0000105 | 5/8 STRUCTURAL WASHER | 4 | 18 | FLW0023253 | BALANCED FLYWHEEL | 1 |
| 5 | BKT0025876 | FLYWHEEL MNT ANCHOR BKT | 2 | 19 | ZZ 0000105 | 1/8 NPT STR 5/16 HEX ZERK | 2 |
| | SCC0070005 | 5/8 X 1-3/4 NC HT CS - PLATED | 4 | 20 | CPL0018917 | PMP DR. CPLG. HALF-BORED-WALDR | 1 |
| | SCC0070006 | 5/8 X 2 NC HT CS - PLATED | 4 | | WAS0000103 | 1/2 HARDENED FLATWASHER - PLTD | 4 |
| | WLK0000625 | 5/8" MEDIUM LOCKWASHER - PLTD | 4 | | WLK0000500 | 1/2" LOCKWASHER - PLATED | 4 |
| | WCT0000625 | 5/8" FLATWASHER -PLATED | 4 | | SCC0050006 | 1/2 X 2 NC HT CS - PLATED | 4 |
| | NCH0000625 | 5/8" NC HEX NUT - PLATED | 4 | 21 | RNG0149396 | RETAINING RING F/SLV0149918 | 2 |
| 6 | ROD0015498 | DRIVE BELT TAKE UP ROD | 1 | 22 | SEL0149223 | GREASE SEAL F/SLV0149918 | 2 |
| | WAS0000118 | 3/4 HARDENED FLATWASHER - PLTD | 1 | 23 | DPT0018751 | PUMP PILOT ADAPTER | 1 |
| 7 | MNT0023278 | DRV UNIT BELT TAKEUP | 1 | 24 | SLV0149918 | SLEEVE | 1 |
| | NCH0000750 | 3/4" NC HEX NUT - PLATED | 4 | 25 | STS4375075 | 7/16 X 3/4 SOCKET SET SCREW | 3 |
| | WLK0000750 | 3/4" MEDIUM LOCKWASHER-PLATED | 4 | 26 | BSH0021617 | BUSHING F/CPL21616 | 1 |
| | SCC0080007 | 3/4 X 2-1/4 NC HT CS - PLATED | 4 | 27 | CPL0021616 | PUMP DRIVE REAR COUPLING HALF | 1 |
| 8 | BLK0015661 | BELT TAKE-UP TIGHTENER BLOCK | 1 | 28 | HSG0026245 | ALTERNATOR HOUSING | 1 |
| | WAS0000118 | 3/4 HARDENED FLATWASHER - PLTD | 1 | | NMS0000250 | 1/4" NC WHIZ NUT - PLATED | 4 |
| | WLK0000750 | 3/4" MEDIUM LOCKWASHER-PLATED | 1 | | SMS0000173 | 1/4 X 1/2 NC WHIZ BOLT-PLATED | 4 |
| | SCC0080007 | 3/4 X 2-1/4 NC HT CS - PLATED | 1 | 29 | ZZ 0000107 | 1/8 NPT 45° X 7/16 HEX ZERK | 2 |
| 9 | BRG037677D | 2-3/16"PILLOW BLOCK BEARING | 2 | 30 | ZZ 0000451 | 1/2 X 1/2 X 1-1/2 KEY | 1 |
| | WLK0000625 | 5/8" MEDIUM LOCKWASHER - PLTD | 4 | 31 | ZZ 0000104 | 1/8 NPT 90° X 7/16 HEX ZERK | 2 |
| | NCH0000625 | 5/8" NC HEX NUT - PLATED | 4 | 32 | STS3750375 | 3/8 X 3/8 SOCKET SET SCREW | 2 |
| | WAS0000105 | 5/8 STRUCTURAL WASHER | 4 | 33 | SQS5004000 | 1/2" X 4" SQUARE HD SET SCREW | 4 |
| | SCC0070008 | 5/8 X 2-1/2 NC HT CS - PLATED | 4 | | NCJ0005000 | JAM NUT NC 1/2 | 4 |
| 10 | SHF0023255 | PRIMARY DRIVE SHAFT | 1 | | | | |

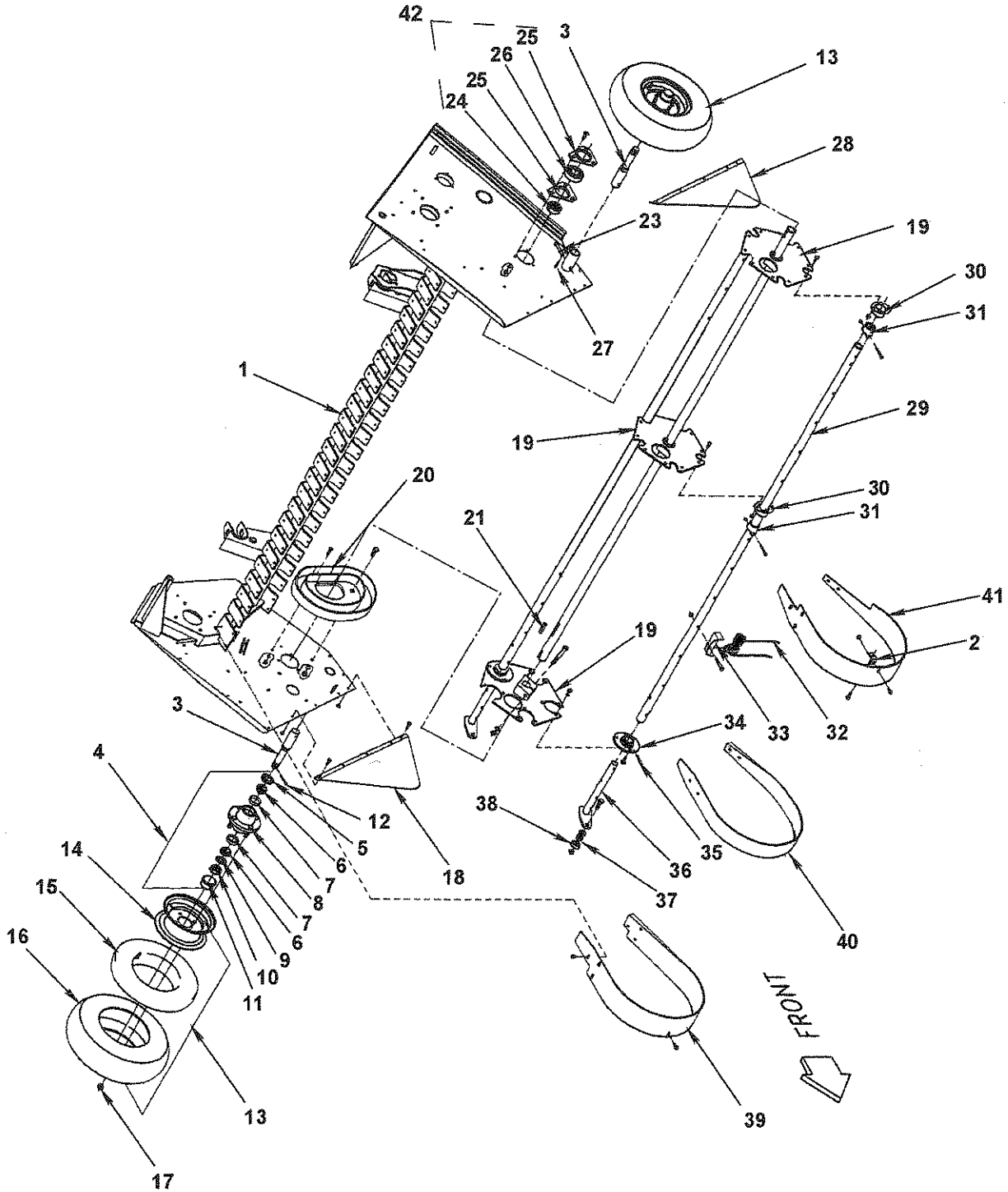
WIND GUARD ASSEMBLY



WIND GUARD ASSEMBLY

| REF NO. | PART NO. | DESCRIPTION | QTY. USED | REF NO. | PART NO. | DESCRIPTION | QTY. USED |
|---------|------------|--------------------------------|-----------|---------|------------|---------------------------------|-----------|
| 1 | GRD0025282 | WIND GRD 98-1/2" -F/93" STD PU | 1 | 10 | SQS5003000 | 1/2 X 3 NC SQ HD CS - PLATED | 2 |
| 2 | COT0000806 | 3/16 X 2-1/4 COTTER PIN | 4 | | NCJ0000500 | 1/2" NC JAM NUT - PLATED | 2 |
| 3 | F 0001517 | TRIP SPRING | 2 | 11 | LEV2527900 | L.H. MNTD WINDGRD SPRING LEVER | 1 |
| | NCH0000375 | 3/8" NC HEX NUT - PLATED | 4 | | LEV2527901 | R.H. MNTD WINDGRD SPRING LEVER | 1 |
| | WCT0000375 | 3/8" FLATWASHER - PLATED | 16 | 12 | GUD2527800 | L. H. WIND GUARD MOUNT GUIDE | 1 |
| | NCE0000375 | 3/8" NC ESNA NUT - PLATED | 4 | | GUD2527801 | R. H. WIND GUARD MOUNT GUIDE | 1 |
| | SCC0030004 | 3/8 X 1-1/2 NC HT CS - PLATED | 4 | | NMS0000117 | 5/16" NC WHIZ NUT - PLATED | 4 |
| 4 | SPG0025309 | WINDGUARD OVERTRAVEL SPRING | 2 | | SBH0020002 | 5/16 X 1 NC BUTTON HEAD CS | 4 |
| | WCT0000375 | 3/8" FLATWASHER - PLATED | 2 | 13 | COT0000502 | 1/8 X 1 COTTER PIN | 2 |
| 5 | ROD0025329 | P/U MNT WINDGRD SPG ADJUST ROD | 2 | 14 | SPG0010555 | BRAKE ACTUATING CYLINDER SPRNG | 2 |
| | WCT0000375 | 3/8" FLATWASHER - PLATED | 8 | 15 | FT 0006205 | ADJUSTING SCREW | 2 |
| | NFH0000375 | 3/8" NF HEX NUT - PLATED | 2 | | NCH0000375 | 3/8" NC HEX NUT - PLATED | 4 |
| | NFE0000375 | 3/8"-24 FULL ESNA NUT-PLATED | 2 | 16 | MNT2527600 | L.H. OPTIONAL MNTD WINDGRD MNT | 1 |
| 6 | 06-125 | 3/8 CLEVIS | 2 | | MNT2527601 | R.H. OPTIONAL MNTD WINDGRD MNT | 1 |
| 7 | F 0000440 | FERRULE | 4 | | SBH0020001 | 5/16 X 3/4 NC BUTTON HEAD CS | 10 |
| | WLK0000375 | 3/8" MEDIUM LOCKWASHER - PLTD | 2 | | NMS0000117 | 5/16" NC WHIZ NUT - PLATED | 10 |
| | SCC0030003 | 3/8 X 1-1/4 NC HT CS - PLATED | 2 | 17 | SPC0025340 | MNTD WINDGRD SPG SPACER/SLIDER | 2 |
| 8 | 06-126 | 3/8 CLEVIS PIN | 2 | 18 | BSH0505909 | 2-1/2 X 1-3/4 X 14 GA MACH BUSH | 4 |
| 9 | LNK0025281 | WIND GUARD SPRING LINK | 2 | | | | |
| | NCE0000375 | 3/8" NC ESNA NUT - PLATED | 2 | | | | |
| | SCC0030002 | 3/8 X 1 NC HT CS - PLATED | 2 | | | | |

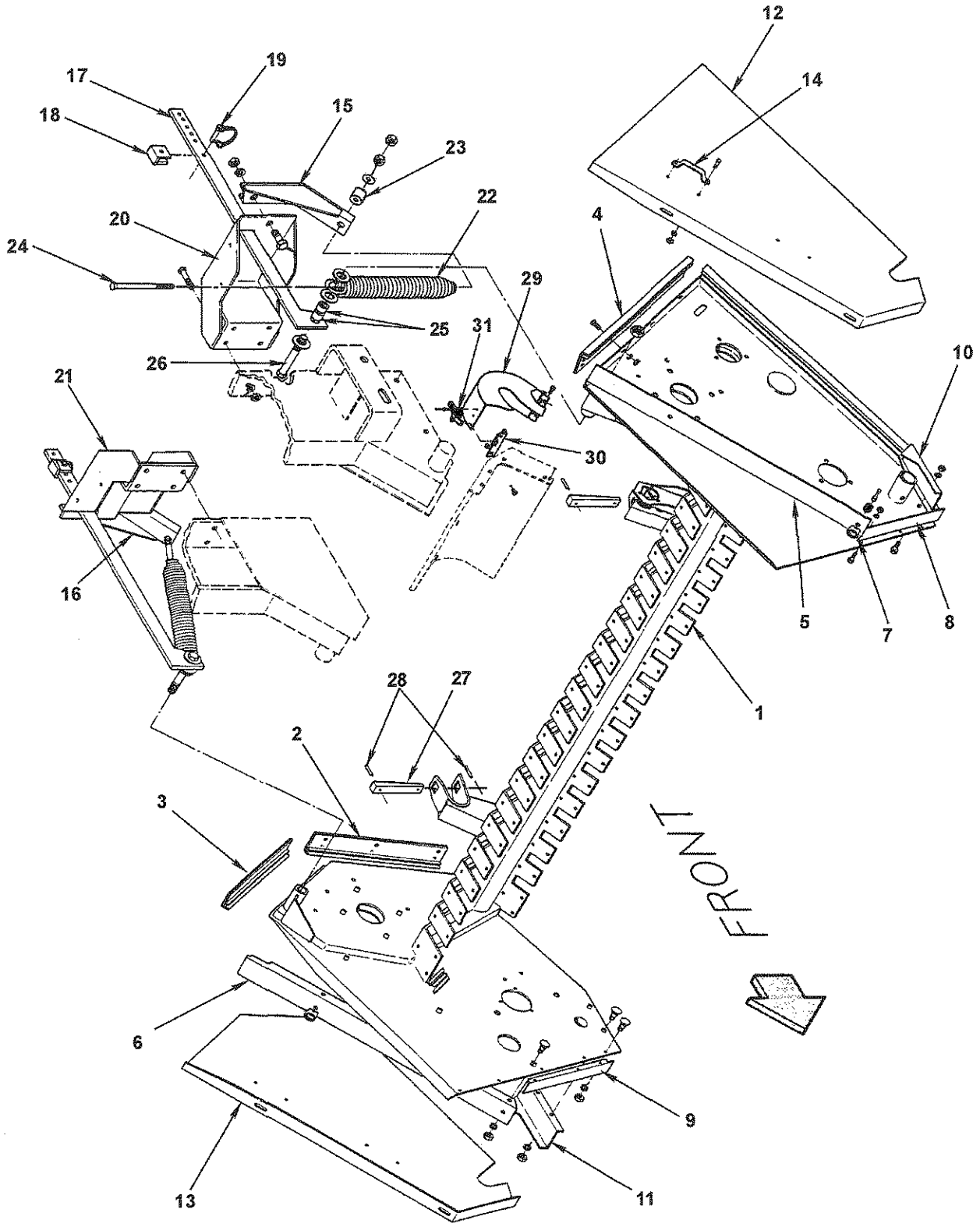
PICKUP REEL COMPONENTS ASSEMBLY



PICKUP REEL COMPONENTS ASSEMBLY

| REF NO. | PART NO. | DESCRIPTION | QTY. USED | REF NO. | PART NO. | DESCRIPTION | QTY. USED |
|---------|------------|--------------------------------|-----------|---------|------------|--------------------------------|-----------|
| 1 | PCY0028026 | P/U FRAME - 93" | 1 | 21 | F 0007904 | 3/8 X 3/8 X 2 KEY | 3 |
| 2 | PCY0017634 | P/U STRIPPER MOUNT ANGLE | 2 | 22 | SHF0025191 | P/U REEL SHAFT | 1 |
| | SMS0000184 | 5/16 X 3/4 NC WHIZ BOLT-PLATED | 1 | 23 | CLV0120014 | 3/8" X 2-1/2" CLEVIS - PLAIN | 2 |
| | NCH0000313 | 5/16" NC HEX NUT - PLATED | 1 | 24 | F 0008381 | LOCKING COLLAR F/F8102 | 1 |
| 3 | SPN0017647 | 1-5/16 P/U WHEEL SPN | 2 | 25 | F 0008383 | FLANGETTE-NO ZERK F/F8102 | 4 |
| 4 | HUB0000348 | HUB W/BRGS & SEALS | 2 | | CRB3751000 | 3/8 X 1 CARRIAGE BOLT | 6 |
| 5 | SEL0034823 | SEAL F/HUB | 2 | | WLK0000375 | 3/8" MEDIUM LOCKWASHER - PLTD | 6 |
| 6 | F 0001909 | BEARING CONE | 4 | | NCH0000375 | 3/8" NC HEX NUT - PLATED | 6 |
| 7 | F 0001654 | OUTER BEARING CUP | 4 | 26 | F 0008380 | BEARING & LOCK COLLAR | 2 |
| 8 | HUB000BT12 | HUB ONLY | 2 | 27 | COT0000501 | 1/8 X 3/4 COTTER PIN | 2 |
| 9 | ZZ 0000219 | 1 X 2 X 14 GA MACHINE BUSHING | 2 | 28 | FEN1763200 | L. H. PICKUP FENDER FLARE | 1 |
| 10 | NFC0010000 | 1" NF CASTLE NUT | 2 | | SCC0020002 | 5/16 X 1 NC HT CS - PLATED | 6 |
| 11 | CAP0046749 | CAP FOR HUB348 | 2 | | SCC0020001 | 5/16 X 3/4 NC HT CS - PLATED | 4 |
| 12 | COT0000502 | 1/8 X 1 COTTER PIN | 2 | | NCH0000313 | 5/16" NC HEX NUT - PLATED | 10 |
| 13 | WHL0401530 | WHL/TIR ASSY 4 X 8 | 2 | 29 | BAR0025204 | P/U TOOTH BAR PIPE-EXTE OPTION | 5 |
| 14 | WHL0412530 | WHEEL-8 X 3.75(4 ON 4)P/U | 2 | 30 | HSN0017505 | P/UP TOOTH BAR BRG HSG-ASSEMBL | 10 |
| 15 | TIR0199128 | 4.00 X 8 TUBE F/TIR4008 | 2 | 31 | BRG0017508 | NYLON TOOTH BAR BEARING | 10 |
| 16 | TIR0004008 | TIRE F/1500 P/U(400X8 4 PLY) | 2 | | SCC0010006 | 1/4 X 2 NC HT CS - PLATED | 10 |
| 17 | SMS0005393 | LUG BOLT | 8 | | NCE0000250 | 1/4" NC ESNA NUT - PLATED | 10 |
| 18 | FEN1763201 | R. H. PICKUP FENDER FLARE | 1 | 32 | PCY0013464 | PICKUP FINGER | 65 |
| | SCC0020002 | 5/16 X 1 NC HT CS - PLATED | 6 | 33 | MNT0013456 | PICKUP TOOTH MOUNT | 65 |
| | SCC0020001 | 5/16 X 3/4 NC HT CS - PLATED | 4 | | SFC0030007 | 3/8 X 2-1/4 NF HT CS - PLATED | 65 |
| | NCH0000313 | 5/16" NC HEX NUT - PLATED | 10 | | NFX0000375 | 3/8" NF FLEX-LOCK NUT | 65 |
| 19 | PCY0023053 | PICK UP REEL PLATE | 3 | 34 | BRG0001101 | TOOTH BAR BEARING | 5 |
| | SCC0050011 | 1/2 X 3-1/4 NC HT CS - PLATED | 3 | 35 | ZZ 0000715 | 1/4 X 1-3/4 ROLL PIN | 5 |
| | NCH0000500 | 1/2" NC HEX NUT - PLATED | 3 | 36 | LEV0023055 | TOOTH BAR CAM LEVER | 5 |
| | WLK0000500 | 1/2" LOCKWASHER - PLATED | 3 | | SCC0800505 | 1/2-13 X 1-3/4"GRD 8 CS -PLTD | 5 |
| | SCC0020001 | 5/16 X 3/4 NC HT CS - PLATED | 20 | | NCJ0000500 | 1/2" NC JAM NUT - PLATED | 5 |
| | NCH0000313 | 5/16" NC HEX NUT - PLATED | 20 | | WAS0000104 | 1/2" STRUCTURAL WASHER | 5 |
| | CRB3751000 | 3/8 X 1 CARRIAGE BOLT | 10 | 37 | BSH0006231 | CAM LEVER ROLLER BUSH 60"+70" | 5 |
| | WLK0000375 | 3/8" MEDIUM LOCKWASHER - PLTD | 10 | 38 | BRG0002029 | CAM FOLLOWER BEARING 1/2"BORE | 5 |
| | NCH0000375 | 3/8" NC HEX NUT - PLATED | 10 | 39 | PCY0025861 | P/U RIGHT HAND STRIPPER | 1 |
| 20 | CAM0017414 | PICKUP REEL CAM | 1 | | SMS0000198 | 5/16 X 1/2 NC WHIZ BOLT-PLATED | 1 6 |
| | SCC0050003 | 1/2 X 1-1/4 NC HT CS - PLATED | 1 | | SMS0000184 | 5/16 X 3/4 NC WHIZ BOLT-PLATED | 1 |
| | SCC0000303 | 3/8-16 X 1-1/4" GRD 5 CAP SCRW | 1 | 40 | PCY0025860 | P/U CENTER STRIPPER | 25 |
| | WLK0000375 | 3/8" MEDIUM LOCKWASHER - PLTD | 1 | | SMS0000198 | 5/16 X 1/2 NC WHIZ BOLT-PLATED | 1 100 |
| | NCH0000375 | 3/8" NC HEX NUT - PLATED | 1 | 41 | PCY0025859 | P/U LEFT HAND STRIPPER | 1 |
| | NCH0000500 | 1/2" NC HEX NUT - PLATED | 1 | | SMS0000198 | 5/16 X 1/2 NC WHIZ BOLT-PLATED | 1 5 |
| | WLK0000500 | 1/2" LOCKWASHER - PLATED | 71 | | SMS0000184 | 5/16 X 3/4 NC WHIZ BOLT-PLATED | 1 |
| | | | | 42 | F000008102 | BEARING ASSY F/PICKUP SHAFT | 2 |

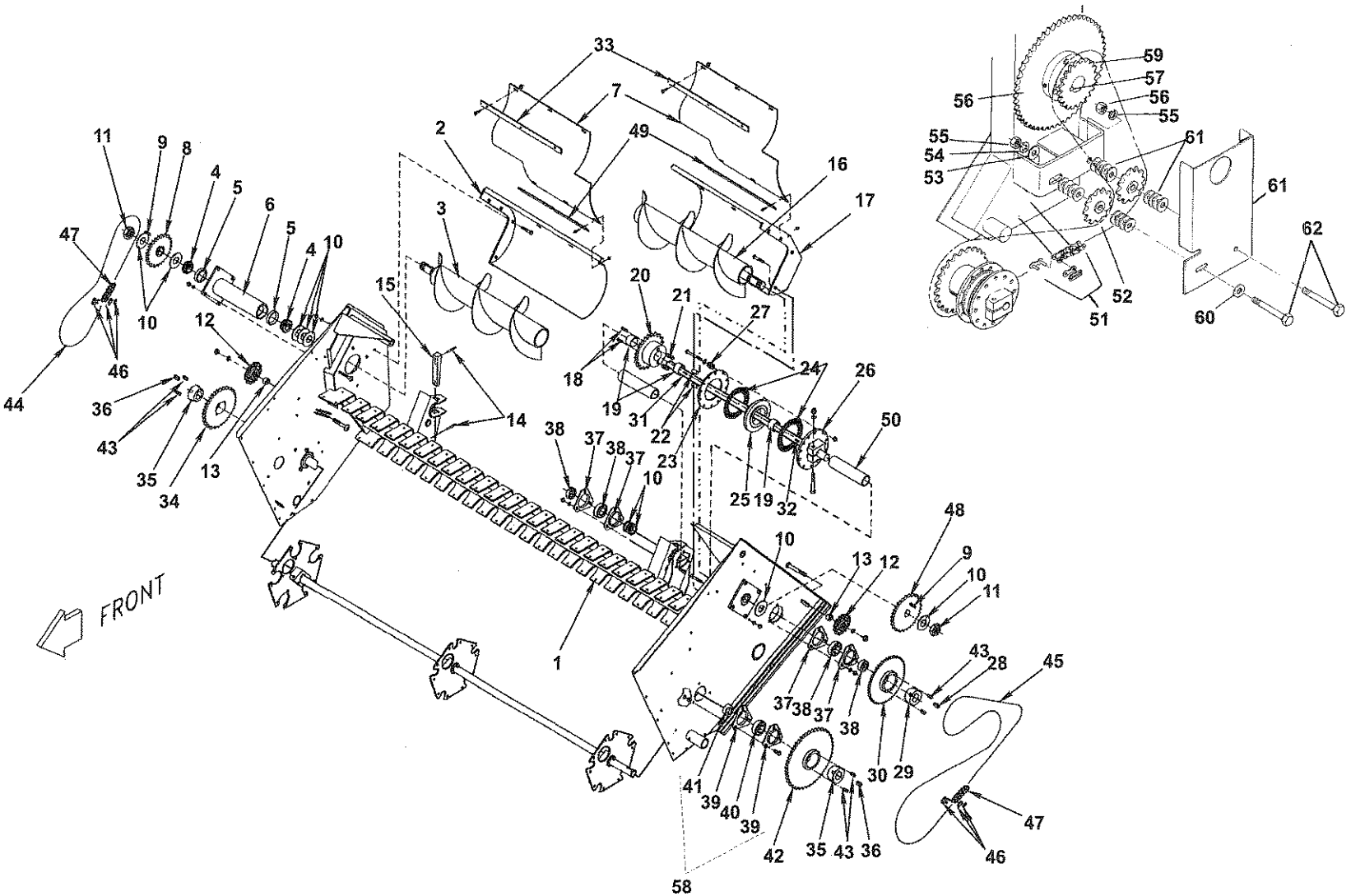
PICKUP SHIELDS AND MOUNTS ASSEMBLY



PICKUP SHIELDS AND MOUNTS ASSEMBLY

| REF NO. | PART NO. | DESCRIPTION | QTY. USED | REF NO. | PART NO. | DESCRIPTION | QTY. USED |
|---------|------------|--------------------------------|-----------|---------|------------|--------------------------------|-----------|
| 1 | PCY0028026 | P/U FRAME - 93" | 1 | 15 | BKT1616200 | L. H. P/U LIFT SPRING BRACKET | 1 |
| 2 | GUD0018010 | P/U SHIELD GUIDE ASSEMBLY | 1 | | SCC0070003 | 5/8 X 1-1/4 NC HT CS - PLATED | 1 |
| | SCC0020001 | 5/16 X 3/4 NC HT CS - PLATED | 3 | | WLK0000625 | 5/8" MEDIUM LOCKWASHER - PLTD | 1 |
| | NCH0000313 | 5/16" NC HEX NUT - PLATED | 3 | | NCH0000625 | 5/8" NC HEX NUT - PLATED | 1 |
| | WLK0000313 | 5/16" MEDIUM LOCKWASHER - PLTD | 3 | 16 | BKT1616201 | R. H. P/U LIFT SPRING BRACKET | 1 |
| 3 | GUD0018011 | P/U SHIELD GUIDE ASSEMBLY | 1 | | SCC0070003 | 5/8 X 1-1/4 NC HT CS - PLATED | 1 |
| | SCC0020001 | 5/16 X 3/4 NC HT CS - PLATED | 2 | | WLK0000625 | 5/8" MEDIUM LOCKWASHER - PLTD | 1 |
| | NCH0000313 | 5/16" NC HEX NUT - PLATED | 2 | | NCH0000625 | 5/8" NC HEX NUT - PLATED | 1 |
| | WLK0000313 | 5/16" MEDIUM LOCKWASHER - PLTD | 2 | 17 | ARM0015684 | LIFT ARM F/PICKUP | 2 |
| 4 | GUD0018012 | P/U SHIELD GUIDE ASSEMBLY | 1 | 18 | BKT0015687 | P/UP LIFT STOP BRACKET | 2 |
| | SCC0020001 | 5/16 X 3/4 NC HT CS - PLATED | 2 | 19 | PIN0375125 | 3/8 X 1-1/4 SNAPPER PIN | 2 |
| | NCH0000313 | 5/16" NC HEX NUT - PLATED | 2 | 20 | BKT2350200 | LH P/U LIFT SPRG ANCHOR BKT | 1 |
| | WLK0000313 | 5/16" MEDIUM LOCKWASHER - PLTD | 2 | | SCC0030003 | 3/8 X 1-1/4 NC HT CS - PLATED | 4 |
| 5 | SHD2734400 | LH P/U SIDE SHIELD SUPT. | 1 | | WLK0000375 | 3/8" MEDIUM LOCKWASHER - PLTD | 4 |
| | CRB3130750 | 5/16X 3/4 CARRIAGE BOLT-PLTD | 3 | | NCH0000375 | 3/8" NC HEX NUT - PLATED | 4 |
| | NCH0000313 | 5/16" NC HEX NUT - PLATED | 3 | 21 | BKT2350201 | RH P/U LIFT SPRG ANCHOR BKT | 1 |
| | WLK0000313 | 5/16" MEDIUM LOCKWASHER - PLTD | 3 | | SCC0030003 | 3/8 X 1-1/4 NC HT CS - PLATED | 4 |
| 6 | SHD2734401 | RH P/U SIDE SHIELD SUPT. | 1 | | WLK0000375 | 3/8" MEDIUM LOCKWASHER - PLTD | 4 |
| | CRB3130750 | 5/16X 3/4 CARRIAGE BOLT-PLTD | 3 | | NCH0000375 | 3/8" NC HEX NUT - PLATED | 4 |
| | NCH0000313 | 5/16" NC HEX NUT - PLATED | 3 | 22 | SPG0017462 | PICKUP LIFT SPRING | 2 |
| | WLK0000313 | 5/16" MEDIUM LOCKWASHER - PLTD | 3 | | NCH0000625 | 5/8" NC HEX NUT - PLATED | 4 |
| 7 | FST0010401 | MED DUTY FOLDING HANDLE FASTNR | 4 | | WCT0000625 | 5/8" FLATWASHER -PLATED | 8 |
| 8 | SUP1763500 | LH PICKUP SHIELD SUPPORT | 1 | 23 | BSH0501129 | BUSHING | 2 |
| | SCC0020002 | 5/16 X 1 NC HT CS - PLATED | 3 | 24 | ANC0016029 | PICKUP LIFT SPRING ANCHOR | 2 |
| | NCH0000313 | 5/16" NC HEX NUT - PLATED | 3 | 25 | SPC0016659 | P/UP LIFT SPRING ANCHOR SPACER | 4 |
| | WLK0000313 | 5/16" MEDIUM LOCKWASHER - PLTD | 3 | 26 | ROD0025263 | P/U BALANCE SPG ROD F/EXTEND | 2 |
| 9 | SUP1763501 | RH PICKUP SHIELD SUPPORT | 1 | | NCE0000625 | 5/8" NC ESNA NUT - PLATED | 2 |
| | SCC0020002 | 5/16 X 1 NC HT CS - PLATED | 3 | 27 | PIN0015507 | PICKUP PIVOT PIN | 2 |
| | NCH0000313 | 5/16" NC HEX NUT - PLATED | 3 | 28 | ZZ 0000705 | 1/4 X 2 ROLL PIN | 4 |
| | WLK0000313 | 5/16" MEDIUM LOCKWASHER - PLTD | 3 | 29 | SHD0502998 | SHIELD - PICKUP CLUTCH | 1 |
| 10 | SHD5076881 | LH P/U BACKING SHIELD | 1 | | SMS0000184 | 5/16 X 3/4 NC WHIZ BOLT | 2 |
| | SCC0020001 | 5/16 X 3/4 NC HT CS - PLATED | 2 | | NCH0000313 | 5/16" NC HEX NUT - PLATED | 2 |
| | NCH0000313 | 5/16" NC HEX NUT - PLATED | 2 | | WLK0000313 | 5/16" MEDIUM LOCKWASHER - PLTD | 2 |
| | WLK0000313 | 5/16" MEDIUM LOCKWASHER - PLTD | 2 | 30 | BKT0502999 | BRACKET-PICKUP CLUTCH SHIELD | 1 |
| 11 | SHD5076890 | RH P/U BACKING SHIELD | 1 | | CRB3130750 | 5/16X 3/4 CARRIAGE BOLT-PLTD | 2 |
| | SCC0020001 | 5/16 X 3/4 NC HT CS - PLATED | 2 | | NCH0000313 | 5/16" NC HEX NUT - PLATED | 2 |
| | NCH0000313 | 5/16" NC HEX NUT - PLATED | 2 | 31 | CLP0000130 | HOOK-TYPE FASTENER | 1 |
| | WLK0000313 | 5/16" MEDIUM LOCKWASHER - PLTD | 2 | | RIV0000604 | 3/16 X 1/4 SS GRIP RIVET | 2 |
| 12 | SHD0027343 | LEFT P/U SHIELD | 1 | | | | |
| 13 | SHD0027342 | RIGHT P/U SHIELD | 1 | | | | |
| 14 | HAN0000150 | PLATED DOOR HANDLE | 4 | | | | |
| | SMF1032500 | 10-32 X 1/2 FH MACHINE SCREW | 8 | | | | |
| | WLK0000100 | #10 LOCKWASHER - PLATED | 8 | | | | |
| | NFH0001032 | 10-32 NF HEX NUT - PLATED | 8 | | | | |

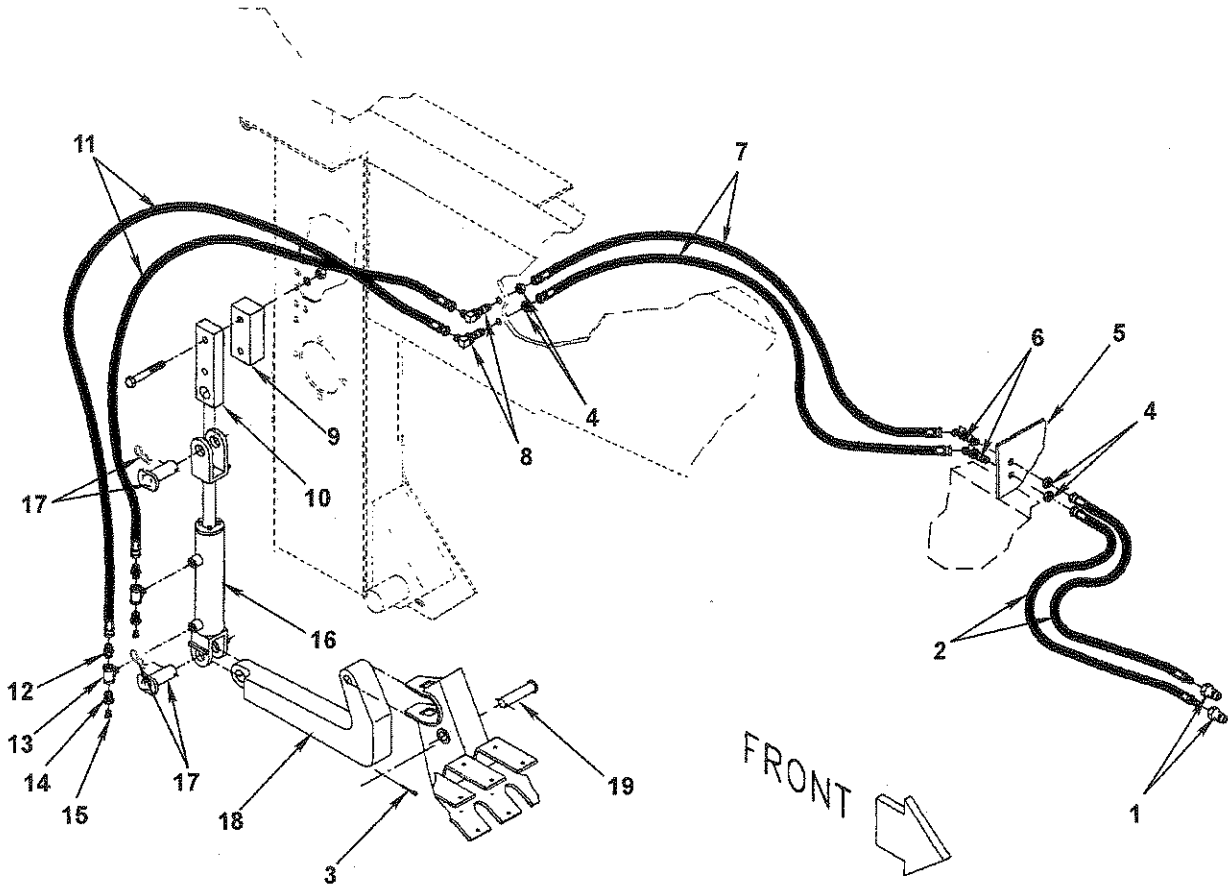
PICKUP DRIVE COMPONENTS ASSEMBLY



PICKUP DRIVE COMPONENTS ASSEMBLY

| REF NO. | PART NO. | DESCRIPTION | QTY. USED | REF NO. | PART NO. | DESCRIPTION | QTY. USED |
|---------|------------|--------------------------------|-----------|---------|------------|--------------------------------|-----------|
| 1 | PCY0028026 | P/U FRAME - 93" | 1 | 30 | SPK0005041 | SPROCKET TAPER LOCK | 1 |
| 2 | AUG0026179 | RH P/U AUGER TROUGH - | 1 | 31 | SHF0025234 | 93" PICKUP DRIVE SHAFT | 1 |
| | CRB3752000 | 3/8 X 2 CARRIAGE BOLT | 4 | 32 | ZZ 0000454 | 1/4 X 1/4 X 2 KEY | 2 |
| | WLK0000375 | 3/8" MEDIUM LOCKWASHER - PLTD | 4 | 33 | BAR0026169 | UPPER DEFLECTOR BLT RETAIN BAR | 2 |
| | NCH0000375 | 3/8" NC HEX NUT - PLATED | 4 | | NMS0000250 | 1/4" NC WHIZ NUT - PLATED | 6 |
| 3 | AUG0025184 | P/U RHT AUGER ASSY-EXT OPTION | 1 | | SMT0001001 | 1/4 X 3/4 TH MACH SCREW-PLT | 6 |
| 4 | BRG0067000 | BEARING COMPLETE | 2 | 34 | SPK0000536 | SPROCKET | 1 |
| 5 | F 0008011 | OUTER WHEEL BEARING CUP | 2 | 35 | BSH0001021 | 1-3/8 BORE X 3/8 KEYWAY BUSHG | 1 |
| 6 | HSN0027989 | EXTEND P/U AUGER BRG HSN- | 2 | 36 | ZZ 0000438 | 3/8 X 3/8 X 1 KEY | 1 |
| | SMS0000305 | 1/4 X 1 NC WHIZ BOLT-PLATED | 8 | 37 | BRG0000063 | FLANGETTE | 4 |
| | WLK0000375 | 3/8" MEDIUM LOCKWASHER - PLTD | 8 | | SCC0030002 | 3/8 X 1 NC HT CS - PLATED | 3 |
| | NCH0000375 | 3/8" NC HEX NUT - PLATED | 1 | | SCC0030006 | 3/8 X 2 NC HT CS - PLATED | 3 |
| 7 | BLT0026167 | TROUGH HAY DEFLECTOR BELT | 2 | | WLK0000375 | 3/8" MEDIUM LOCKWASHER - PLTD | 6 |
| 8 | SPK0005023 | SPK 1-1/4BORE 1/4 | 1 | | NCH0000375 | 3/8" NC HEX NUT - PLATED | 6 |
| 9 | ZZ 0000406 | 1/4" X 1/4" X 1" KEY | 2 | 38 | BRG0000103 | 1-1/4"(2)BOLT BEARING+COLLAR | 2 |
| 10 | WAS0015783 | HARDENED ZZ228 MACHINE BUSHING | 9 | 39 | F 0008383 | FLANGETTE-NO ZERK F/F8102 | 2 |
| 11 | NEJ0001250 | 1-1/4" NF ESNA JAM NUT - PLTD | 2 | | CRB3750100 | 3/8 X 1 CARRIAGE BOLT-PLTD | 3 |
| 12 | SPK0002416 | SPROCKET IDLER | 2 | | WLK0000375 | 3/8" MEDIUM LOCKWASHER - PLTD | 3 |
| | CRB5003750 | 1/2 X 3-3/4 CARRIAGE BOLT | 1 | | NCH0000375 | 3/8" NC HEX NUT - PLATED | 3 |
| | CRB5003000 | 1/2 X 3 CARRIAGE BOLT | 1 | 40 | F 0008380 | BEARING & LOCK COLLAR F/F8102 | 1 |
| | WLK0000500 | 1/2" LOCKWASHER - PLATED | 2 | 41 | F 0008381 | LOCK COLLAR | 1 |
| | NCH0000500 | 1/2" NC HEX NUT - PLATED | 2 | 42 | SPK0000554 | SPROCKET - | 1 |
| 13 | SPC0017669 | P/UP IDLER SPROCKET SPACER | 2 | 43 | SCO0000403 | 7/16 X 7/8 NC FH SOCKET CS | 2 |
| 14 | ZZ 0000705 | 1/4 X 2 ROLL PIN | 2 | 44 | CHN0005087 | CHAIN | |
| 15 | PIN0015507 | PICKUP PIVOT PIN | 1 | 45 | CHN0050177 | CHAIN | 1 |
| 16 | AUG0025183 | P/U LEFT AUGER ASSY-EXTEN | 1 | 46 | F 0000025 | CONNECTING LINK | 2 |
| 17 | AUG0026178 | LH P/U AUGER TROUGH 93"- | 1 | 47 | F 0000123 | OFFSET LINK | 2 |
| | CRB3752000 | 3/8 X 2 CARRIAGE BOLT | 4 | 48 | SPK0005035 | SPK 1-1/4BORE 1/4 | 1 |
| | WLK0000375 | 3/8" MEDIUM LOCKWASHER - PLTD | 4 | | ZZ 0000406 | 1/4" X 1/4" X 1" KEY | 1 |
| | NCH0000375 | 3/8" NC HEX NUT - PLATED | 4 | 49 | BAR0026170 | LOWER DEFLECTOR BLT RETAIN BAR | 2 |
| 18 | HYD3169030 | 3/8 SOCKET HD STEEL PIPE PLUG | 2 | | NMS0000250 | 1/4" NC WHIZ NUT - PLATED | 6 |
| 19 | BRG0020016 | P/U DRIVE SHAFT BUSHING | 3 | | SMT0001001 | 1/4 X 3/4 TH MACH SCREW-PLT | 6 |
| 20 | SPK0017769 | P/UP DRIVE SPROCKET | 1 | 50 | GRD0506144 | PICKUP DRIVE SHAFT GUARD | 2 |
| 21 | F 0001790 | COMPRESSION SPRING F/PTO CLTCH | 2 | 51 | F000000760 | CONNECTING LINK- RC60 | 1 |
| 22 | F 0001791 | CLUTCH PIN | 2 | 52 | SPK011536S | IDLER SPROCKET | 2 |
| 23 | CLH0017849 | P/U CLUTCH DISC - | 1 | 53 | WCT0000625 | 5/8" FLATWASHER | 24 |
| 24 | F 0001793 | FRICTION DISC F/PTO CLUTCH | 4 | 54 | WLK0000625 | 5/8" MED LOCKWASHER | 2 |
| 25 | CLH0017767 | PICKUP DRIVE CLUTCH | 1 | 55 | NCH0000625 | 5/8" NC HEX NUT | 2 |
| 26 | CLH0017773 | P/UP CLUTCH ADAPTER | 1 | 56 | SPK0080360 | SPROCKET | 1 |
| | SCC0050011 | 1/2 X 3-1/4 NC HT CS - PLATED | 1 | 57 | SCO0000403 | 7/16" X 7/8" NC FH SOCKET CS | 6 |
| | WLK0000500 | 1/2" LOCKWASHER - PLATED | 1 | 58 | F000008102 | BEARING ASSY F/PICKUP SHAFT | 1 |
| | NCH0000500 | 1/2" NC HEX NUT - PLATED | 1 | 59 | SPK0602202 | 1592 PICKUP DRIVE SPROCKET | 1 |
| 27 | F 0001797 | CLUTCH PLT COMPRESSION SPRING | 2 | 60 | WCT0000625 | 5/8" FLATWASHER | 24 |
| | SCC0030011 | 3/8 X 3-1/4 NC HT CS - PLATED | 2 | 61 | GRD0505568 | PICKUP DRIVE CHAIN GUARD | 1 |
| | WCT0000375 | 3/8" FLATWASHER - PLATED | 2 | 62 | SCC0070013 | DUP HEX HD CS NC 5/8 X 3-3/4 | 2 |
| | NCE0000375 | 3/8" NC ESNA NUT - PLATED | 2 | | | | |
| 28 | ZZ 0000406 | 1/4" X 1/4" X 1" KEY | 1 | | | | |
| 29 | BSH1252012 | BUSHING 1-1/4"BORE | 1 | | | | |

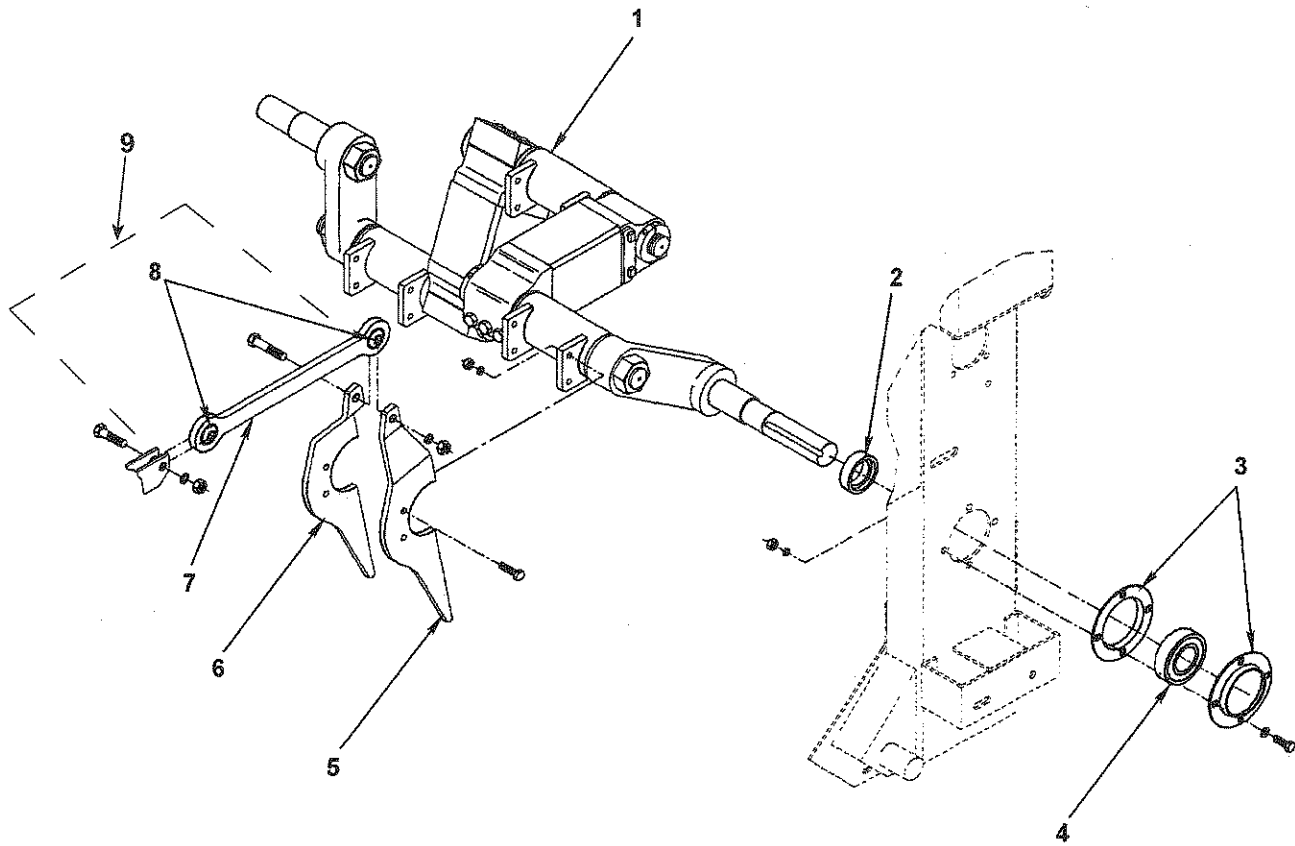
HYDRAULIC PICKUP LIFT ASSEMBLY



HYDRAULIC PICKUP LIFT ASSEMBLY

| REF NO. | PART NO. | DESCRIPTION | QTY. USED |
|------------|-------------|--------------------------------|--------------|
| 1 | CPL0080104 | 1/2" HYDRAULIC QUICK COUPLER | 2 |
| 2 | HOS0016658 | HOSE-PICKUP LIFT SUPPLY | 2 |
| 3 | COT0000503 | 1/8 X 1-1/4 COTTER PIN | 1 |
| 4 | HYD5924030 | 3/8 BULKHEAD NUT | 4 |
| 5 | SHD0023442 | SHEAVE FRONT LOWER SHIELD | 1 |
| 6 | HYD5375030 | 3/8 JIC 45° BLKHD UNION ELBOW | 2 |
| 7 | HOS0024293 | LONG P/U LIFT HSE | 2 |
| 8 | HYD5525030 | 3/8 JIC X 90° BLKHD UNION ELB | 2 |
| 9 | SPC0024097 | P/U LIFT CYL MNT SPACER | 1 |
| 10 | MNT0024096 | P/U LIFT CYL MNT-1592 | 1 |
| | NCH0000500 | 1/2" NC HEX NUT - PLATED | 2 |
| | SCC0050012 | 1/2 X 3-1/2 NC HT CS - PLATED | 2 |
| | WLK0000500 | 1/2" LOCKWASHER - PLATED | 2 |
| 11 | HOS0020760 | PICKUP LIFT CYLINDER HOSE | 2 |
| 12 | HYD5205033 | 3/8 JIC X 3/8 NPT MALE CONN | 2 |
| 13 | HYD3609030 | 3/8" NPT STEEL MALE BRANCH TEE | 2 |
| 14 | HYD3109031 | 3/8 X 1/8 STEEL PIPE BUSHING | 2 |
| 15 | HYD0000705 | 1/8 NPT MULTI-PURPOSE AIR VENT | 2 |
| 16 | CYL0000205 | P/U LIFT CYL F/1500 - | 1 |
| 17 | HYP000FA2P | CLEVIS PIN FOR CYL205 | 2 |
| 18 | ARM0027984 | P/U LIFT ARM ASSY | 1 |
| 19 | CLV0120045 | 3/4" X 3-3/4" CLEVIS - PLAIN | 1 |

FEEDER CRANK AND TINES ASSEMBLY

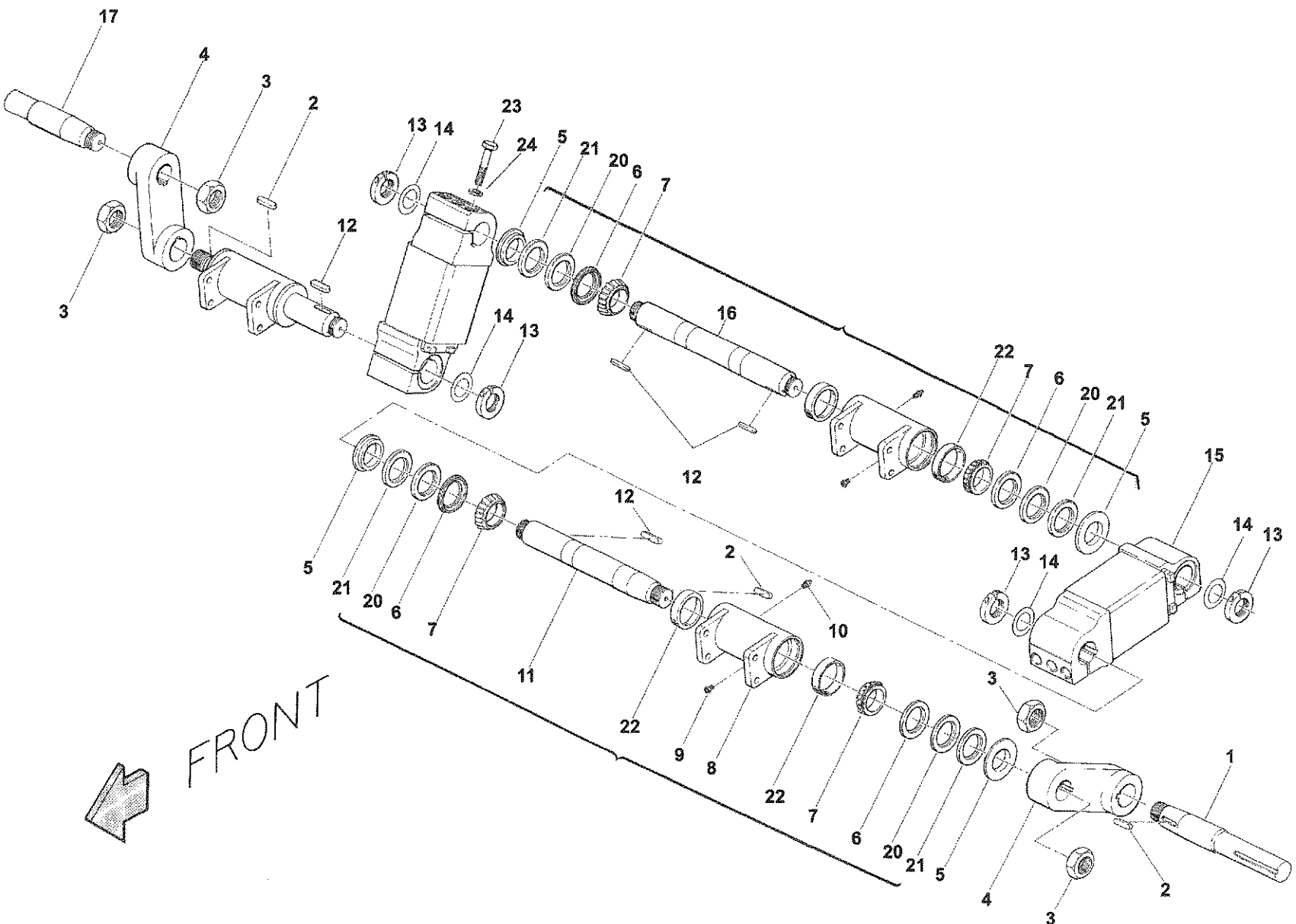


FRONT

FEEDER CRANK AND TINES ASSEMBLY

| REF NO. | PART NO. | DESCRIPTION | QTY. USED |
|------------|-------------|--------------------------------|--------------|
| 1 | SHF0023127 | FEEDER CRANK SHAFT ASSEMBLY | 1 |
| 2 | BRG0002002 | LOCK COLLAR | 2 |
| 3 | BRG0002001 | BEARING STAMPING F/BRG2000 | 4 |
| | WAS0000104 | 1/2 STRUCTURAL WASHER | 8 |
| | SFC0080504 | 1/2 X 1-1/2 NF GR 8 CS -PLATED | 8 |
| | NFH0080500 | 1/2"-20 GRADE 8 HEX NUT | 8 |
| 4 | BRG0002000 | 1ST FEEDER 1592 CRANK BEARING | 2 |
| 5 | TIN0231340 | L. H. FEED CRANK TINE | 3 |
| | WLK0000500 | 1/2" LOCKWASHER - PLATED | 6 |
| | NFH0080500 | 1/2"-20 GRADE 8 HEX NUT | 6 |
| | SFC0080500 | 1/2 X 1-3/4 NF GR 8 CS -PLATED | 6 |
| 6 | TIN0231341 | R. H. FEED CRANK TINE | 3 |
| | WLK0000500 | 1/2" LOCKWASHER - PLATED | 6 |
| | NFH0080500 | 1/2"-20 GRADE 8 HEX NUT | 6 |
| | SFC0080500 | 1/2 X 1-3/4 NF GR 8 CS -PLATED | 6 |
| 7 | LNK0023133 | FEEDER TINE LINK | 3 |
| | SCC0070007 | 5/8 X 2-1/4 NC HT CS - PLATED | 3 |
| | SCC0070010 | 5/8 X 3 NC HT CS - PLATED | 3 |
| | WLK0000625 | 5/8" LOCKWASHER - PLATED | 6 |
| | NCH0000625 | 5/8" NC HEX NUT - PLATED | 6 |
| 8 | BRG0106250 | 1ST FEEDER TINE LINK BRG | 6 |
| 9 | LNK0231330 | FEEDER TINE LINK ASSY | 1 |

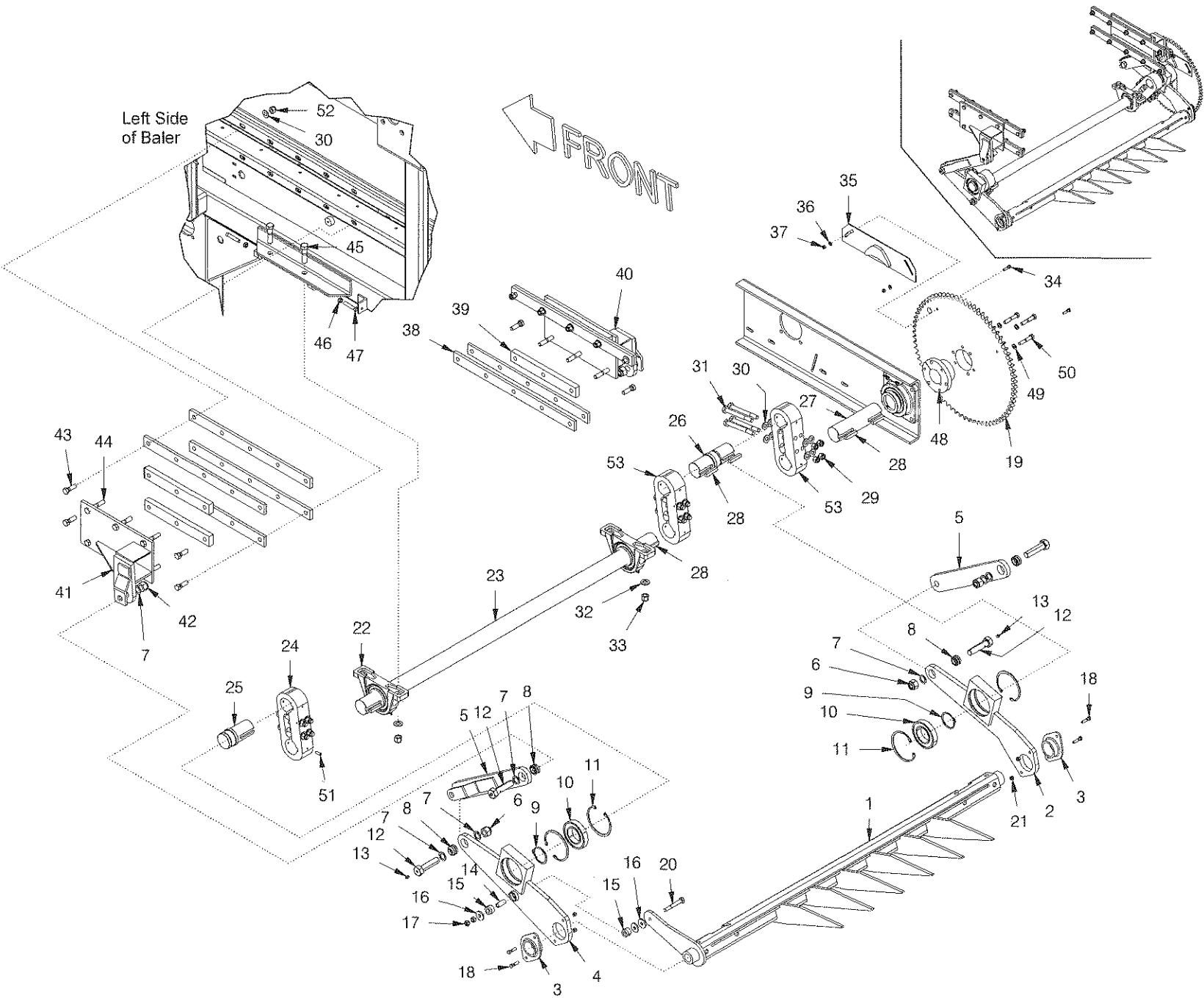
FEEDER CRANK ASSEMBLY



FEEDER CRANK ASSEMBLY

| REF NO. | PART NO. | DESCRIPTION | QTY. USED |
|------------|-------------|------------------------------------|--------------|
| 1 | SHF0023130 | LEFT BEARING SHAFT | 1 |
| 2 | ZZ 0000453 | 1/2 X 1/2 X 1 KEY | 3 |
| 3 | NMS0023666 | 1-3/4-12 NF JAM NUT PLTD | 4 |
| 4 | ARM0023120 | FEEDER CRANK ARM | 2 |
| 5 | RNG0023161 | THRUST RING | 6 |
| 6 | KITV507949 | BEARING SEAL | 6 |
| 7 | BRG0507949 | BRG-TAPERED ROLLER | 6 |
| 8 | HSN0023116 | BEARING HOUSING | 3 |
| 9 | LUB0047200 | 1/8" STRAIGHT RELIEF FITTING | 3 |
| 10 | ZZ 0000103 | 1/8 NPT STR 7/16 HEX ZERK | 3 |
| 11 | SHF0023129 | CRANK SHAFT | 2 |
| 12 | ZZ 0000451 | 1/2 X 1/2 X 1-1/2 KEY | 4 |
| 13 | LOK0017500 | 1-3/4 LOCK COLLAR | 4 |
| 14 | ZZ 0000203 | 1-3/4 X 18 GA MACHINE BUSHING | A/R |
| 15 | ARM0023168 | FEEDER CRANK ARM | 2 |
| | WLK0000750 | 3/4 LOCK WASHER PLTD | 12 |
| | SCC0000812 | 3/4 X 3-1/2 NC HT CAP SCREW | 12 |
| 16 | SHF0023128 | CRANK SHAFT | 1 |
| 17 | SHF0023131 | RIGHT BEARING SHAFT | 1 |
| 18 | SHF0023203 | SHAFT ASSY DETAIL(INC. 5-10 & 16) | 1 |
| 19 | SHF0023204 | SHAFT ASSY DETAIL(INC. 5-11) | 2 |
| 20 | SPC0034397 | FEEDER BEARING SEAL SPACER | 6 |
| 21 | FLT0034591 | FEEDER BEARING SEAL FELT | 6 |
| 22 | BRG0507910 | BEARING CUP- | 6 |
| 23 | SCC0000812 | HEX HD CS NC 3/4 X 3-1/2 | 12 |
| 24 | WLK0000750 | LOCKWASHER MEDIUM 3/4"-PLATED | 12 |

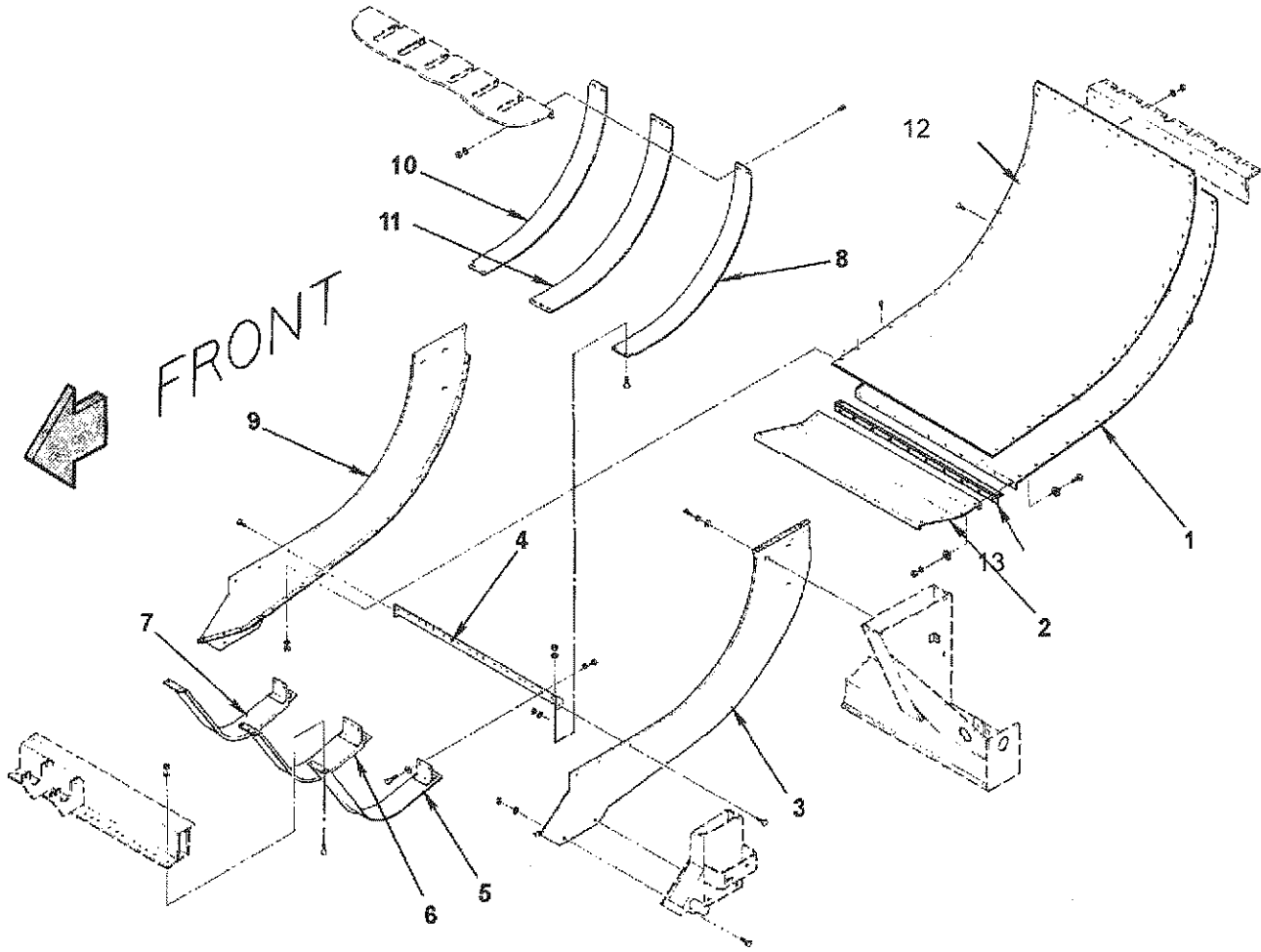
FEED FORK ASSEMBLY



FEED FORK ASSEMBLY

| REF NO. | PART NO. | DESCRIPTION | QTY. USED | REF NO. | PART NO. | DESCRIPTION | QTY. USED |
|---------|------------|------------------------------------|-----------|---------|------------|---------------------------------|-----------|
| 1 | FRK0035386 | FEED FORK S/N 616+ | 1 | 27 | SHF036496D | SHAFT,DRIVE; | 1 |
| 2 | 900380 | ARM WLDMT,RH | 1 | 28 | ZZ00000456 | KEY STOCK | 6 |
| 3 | BRG036008B | BEARING, FEED FORK FLAT | 2 | 29 | R13803604 | NUT, LOCK; 5/8 NF | 12 |
| 4 | 900381 | ARM WLDMT,LH | 1 | 30 | R13806986 | WASHER, FLAT; 5/8 (.686 ID) ZY | 16 |
| 5 | 900390 | LINK WLDMT FEED LOCATOR | 2 | 31 | SFC8625600 | CAPSCREW; 5/8 NF X 6 | 12 |
| 6 | SHF0035372 | MAIN FEEDFORK SHAFT | 1 | 32 | R13811457 | WASHER, FLAT; 3/4 | 4 |
| 7 | WAS0025693 | FEEDER LINK BOLT WASHER | 8 | 33 | R13811196 | NUT, LOCK; 3/4 NC | 4 |
| 8 | BRG0001016 | NON SEALED-BEARING | 4 | 34 | R13811015 | CAPSCREW; 5/16 NC | 2 |
| 9 | RNG5100275 | SNAP RING, EXTERNAL | 2 | 35 | SCC0050009 | HEX HD CS NC 1/2 X 2-3/4 | 3 |
| 10 | BRG0000008 | FEED FORK ARM BEARING | 2 | 36 | R13811445 | WASHER, FLAT; 5/16 | 2 |
| 11 | 204770 | RING, SNAP | 4 | 37 | R13811190 | NUT, LOCK; 5/16 NC | 2 |
| 12 | LNK0025692 | FEEDFORK LINK PIN | 4 | 38 | SPC0023265 | BAR,SPACER A | 4 |
| 13 | 11079 | FITTING, LUBE | 4 | 39 | SPC0023264 | BAR,SPACER B | 4 |
| 14 | SLV0018935 | SHOCK BUSHING BOLT SLEEVE | 1 | 40 | 900398 | BASE WLDMT,LH | 1 |
| 15 | BSH0001026 | SHOCK ABSORBER BUSHING- 3/4"ID | 2 | 41 | 900399 | BASE WLDMT,RH | 1 |
| 16 | WAS0020049 | WASHER FOR RUBBER BUSHING | 3 | 42 | R13803587 | NUT, LOCK; 1 NC | 4 |
| 17 | R13812641 | NUT, HEX; 1/2 | 2 | 43 | 235590 | CAPSCREW; 5/8 NC X 2 | 8 |
| 18 | R13811037 | CAPSCREW; 3/8 NC X 1 1/2 | 4 | 44 | 241051 | HEX HD CS NC 5/8 X 3-1/2 | 12 |
| 19 | SPK0028041 | FEED FORK SPROCKET-A/93 | 1 | 45 | R13811150 | CAPSCREW; 3/4 NC X 3 | 4 |
| 20 | SFC0080513 | GRD 8 HEX CAP SCREW 1/2-20 X 3-3/4 | 1 | 46 | 234218 | NUT, JAM; 1/2 NC | 4 |
| 21 | R13811191 | NUT, LOCK; 3/8 NC | 4 | 47 | SQS5002500 | SETSCREW,SQ HEAD 1/2-13 X 2-1/2 | 4 |
| 22 | BRG0268250 | 2-11/16"PILLOW BLOCK BEARING | 2 | 48 | BSH0026875 | BUSHING F/1592 DRIVE SPROCKET | 1 |
| 23 | SHF0035372 | SHAFT | 1 | 49 | 234665 | WASHER, LOCK; 1/2 | 3 |
| 24 | CRA036495E | PL,CRANK | 3 | 50 | R13811080 | CAPSCREW; 1/2 NC X 2 3/4 | 3 |
| 25 | SHF0035370 | LEFT FEED FORK CRANK SHAFT | 1 | 51 | SQS3751250 | 3/8" X 1-1/4"SQ HD SET SCREW | 18 |
| 26 | SHF0035371 | RIGHT FEED FORK CRANK SHAFT | 2 | 52 | 235591 | NUT, HEX; 5/8 NC | 20 |
| | | | | 53 | CRA036651D | MATCHED FEEDFORK CRANK (PAIR) | 1 |

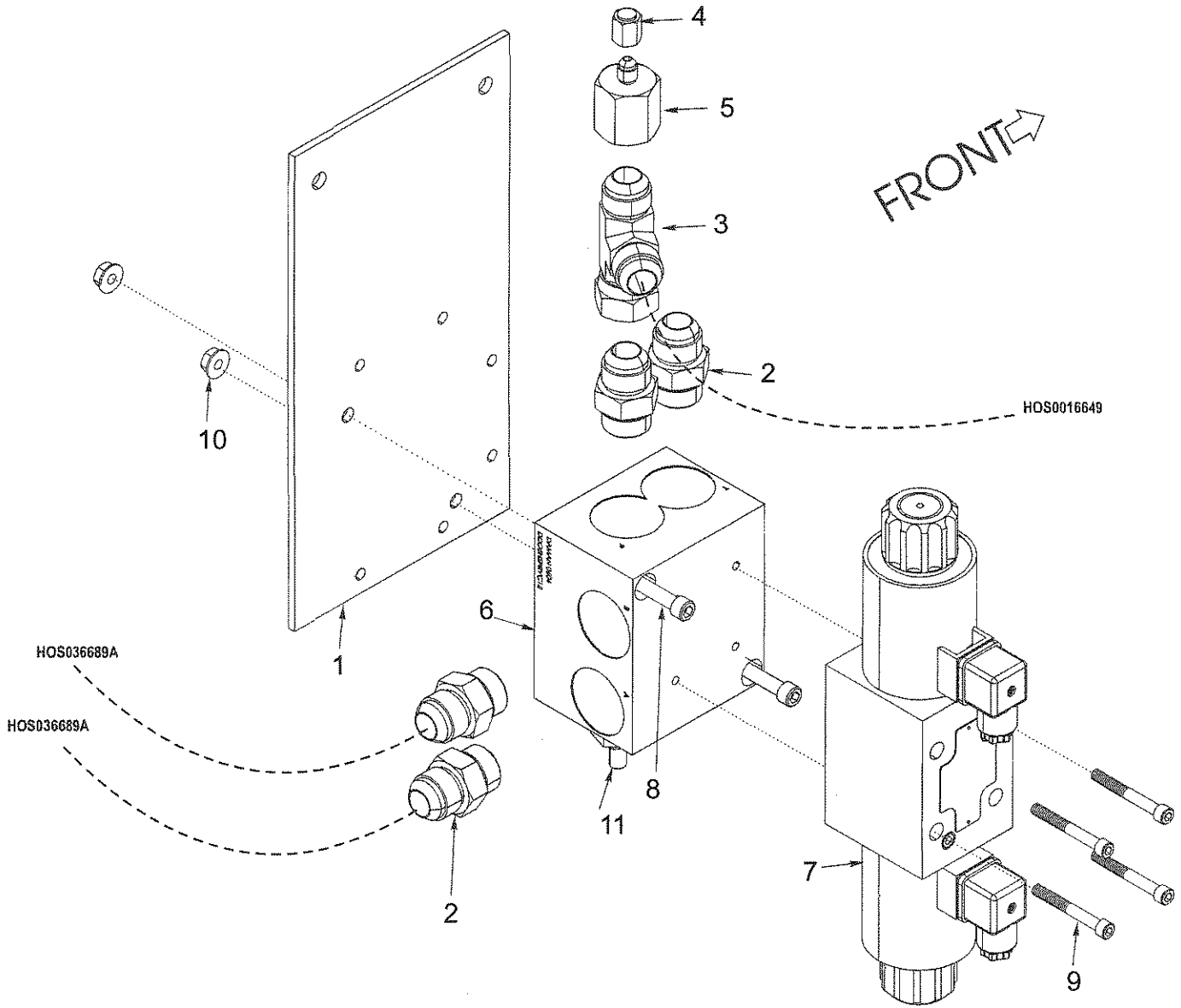
INFEED CHUTE ASSEMBLY



INFEED CHUTE ASSEMBLY

| REF NO. | PART NO. | DESCRIPTION | QTY. USED | REF NO. | PART NO. | DESCRIPTION | QTY. USED |
|---------|------------|--------------------------------|-----------|---------|------------|--------------------------------|-----------|
| 1 | CHU0022765 | INFEED CHUTE REAR PAN ASY | 1 | 7 | GRD0224961 | RH OUTSIDE FEEDER GUARD | 1 |
| | CRB3130100 | 5/16X 1 CARRIAGE BOLT-PLTD | 10 | | CRB3130100 | 5/16X 1 CARRIAGE BOLT-PLTD | 2 |
| | NCH0000313 | 5/16" NC HEX NUT - PLATED | 10 | | SCC0020002 | 5/16 X 1 NC HT CS - PLATED | 2 |
| | WCT0000313 | 5/16" FLATWASHER-PLATED | 10 | | NCH0000313 | 5/16" NC HEX NUT - PLATED | 4 |
| 2 | CHU0022767 | INFEED CHUTE FRONT PAN | 1 | | WCT0000313 | 5/16" FLATWASHER-PLATED | 4 |
| | SCC0020002 | 5/16 X 1 NC HT CS - PLATED | 10 | 8 | GRD2521300 | LFT OUTSIDE CHUTE GRD-MODIFIED | 1 |
| | WCT0000313 | 5/16" FLATWASHER-PLATED | 10 | | CRB3130100 | 5/16X 1 CARRIAGE BOLT-PLTD | 2 |
| | NCH0000313 | 5/16" NC HEX NUT - PLATED | 10 | | SCC0020002 | 5/16 X 1 NC HT CS - PLATED | 2 |
| 3 | CHU0028810 | LFT INFEED CHUTE SIDE PLT-A/94 | 1 | | NCH0000313 | 5/16" NC HEX NUT - PLATED | 4 |
| | CRB2500075 | 1/4 X 3/4 CARRIAGE BOLT | 20 | | WCT0000313 | 5/16" FLATWASHER-PLATED | 4 |
| | NCH0000250 | 1/4" NC HEX NUT - PLATED | 20 | 9 | CHU0028811 | INFEED CHUTE RHT SIDE PLT-A/94 | 1 |
| | SBH0003001 | 3/8 X 3/4 NC BUTTON HD - PLT | 2 | | CRB2500075 | 1/4 X 3/4 CARRIAGE BOLT | 20 |
| | WLK0000375 | 3/8" MEDIUM LOCKWASHER - PLTD | 5 | | SBH0003001 | 3/8 X 3/4 NC BUTTON HD - PLT | 2 |
| | WCT0000375 | 3/8" FLATWASHER - PLATED | 11 | | SCC0030003 | 3/8 X 1-1/4 NC HT CS - PLATED | 5 |
| | SCC0030003 | 3/8 X 1-1/4 NC HT CS - PLATED | 5 | | NCH0000250 | 1/4" NC HEX NUT - PLATED | 20 |
| | NCH0000375 | 3/8" NC HEX NUT - PLATED | 7 | | WLK0000375 | 3/8" MEDIUM LOCKWASHER - PLTD | 5 |
| 4 | SUP0022487 | FEEDER GUARD SUPPORT | 1 | | WCT0000375 | 3/8" FLATWASHER - PLATED | 11 |
| 5 | GRD0224960 | LH OUTSIDE FEEDER GUARD | 1 | 10 | GRD2521301 | RHT OUTSIDE CHUTE GRD-MODIFIED | 1 |
| | CRB3130100 | 5/16X 1 CARRIAGE BOLT-PLTD | 2 | | CRB3130100 | 5/16X 1 CARRIAGE BOLT-PLTD | 2 |
| | SCC0020002 | 5/16 X 1 NC HT CS - PLATED | 2 | | SCC0020002 | 5/16 X 1 NC HT CS - PLATED | 2 |
| | NCH0000313 | 5/16" NC HEX NUT - PLATED | 4 | | NCH0000313 | 5/16" NC HEX NUT - PLATED | 4 |
| | WCT0000313 | 5/16" FLATWASHER-PLATED | 4 | | WCT0000313 | 5/16" FLATWASHER-PLATED | 4 |
| 6 | GRD0022492 | CENTER FEEDER GUARD | 5 | 11 | GRD0022486 | CENTER FEED CHUTE GUARD | 5 |
| | CRB3130100 | 5/16X 1 CARRIAGE BOLT-PLTD | 15 | | CRB3130100 | 5/16X 1 CARRIAGE BOLT-PLTD | 30 |
| | SCC0020002 | 5/16 X 1 NC HT CS - PLATED | 15 | | NCH0000313 | 5/16" NC HEX NUT - PLATED | 30 |
| | NCH0000313 | 5/16" NC HEX NUT - PLATED | 30 | | WCT0000313 | 5/16" FLATWASHER-PLATED | 30 |
| | WCT0000313 | 5/16" FLATWASHER-PLATED | 30 | 12 | LIN037661E | FEED CHUTE LINER,UHMW | 1 |
| | | | | 13 | ANC037660B | FEED CHUTE LINER ANCHOR | 1 |

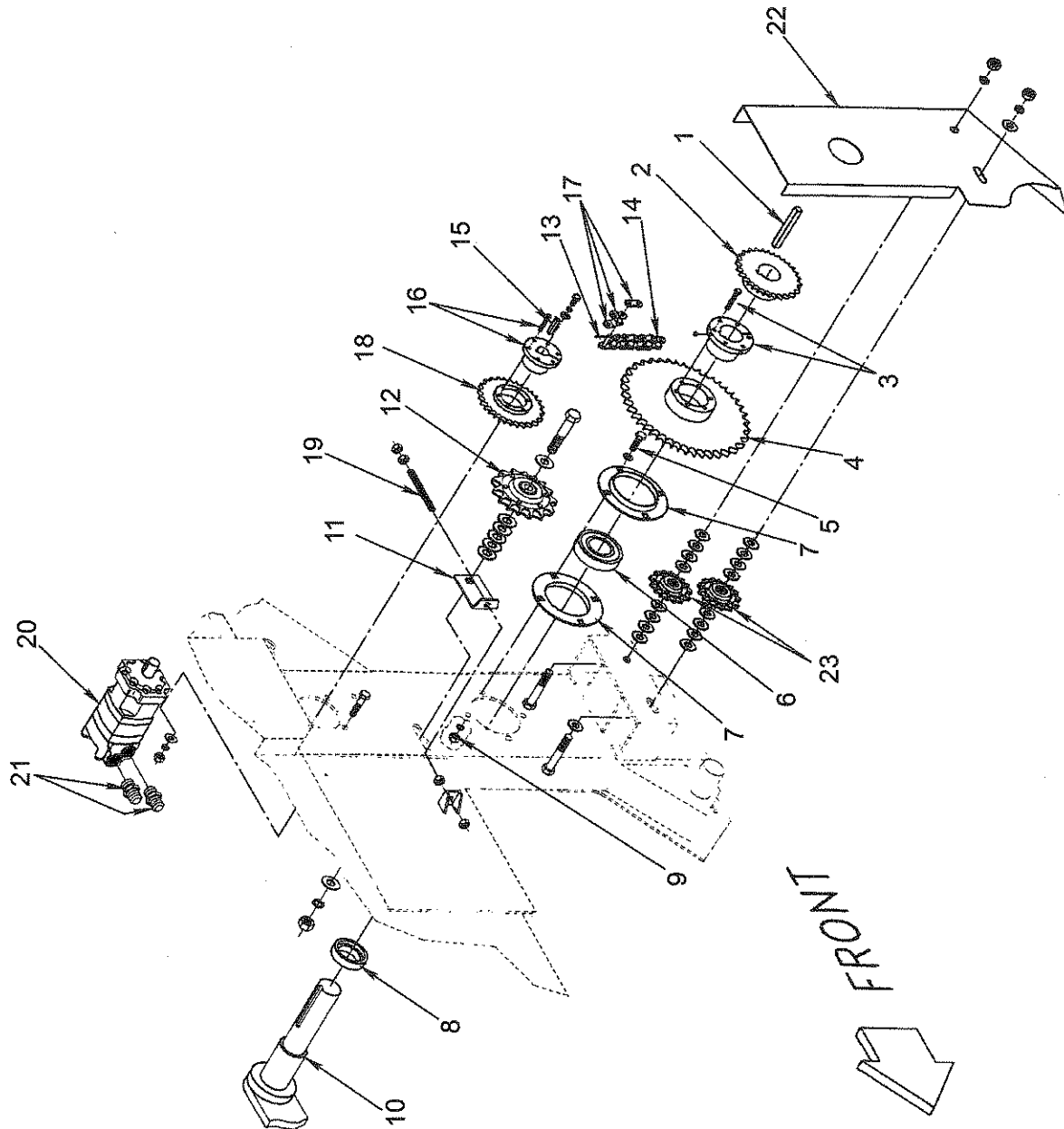
PICKUP AND FEEDER CONTROL VALVE ASSEMBLY



PICKUP AND FEEDER CONTROL VALVE ASSEMBLY

| REF NO. | PART NO. | DESCRIPTION | QTY. USED |
|------------|-------------|----------------------------------|--------------|
| 1 | MNT037719B | SOLENOID VALVE MOUNT | 1 |
| 2 | HYD5315060 | 3/4JIC X 3/4 O-RNG ST THD CONN | 4 |
| 3 | HYD5706060 | 3/4" JIC SWIVEL RUN TEE | 1 |
| 4 | HYD5129020 | 1/4" JIC CAP | 1 |
| 5 | HYD5015062 | 3/4 TO 1/4 JIC TUBE REDUCER | 1 |
| 6 | VLV0000035 | VALVE SUBPLATE, CAVITY | 1 |
| 7 | VLV0000062 | SOLENOID VALVE 4 WAY 3 POS 12VDC | 1 |
| 8 | SCS0000209 | SOCKET HEAD CS NC 5/16 X 4 | 2 |
| 9 | SCS0000105 | SOCKET HEAD CS NC 1/4 X 2 | 4 |
| 10 | NMS0000117 | WHIZ NUT 5/16-18 PLATED | 2 |
| 11 | VLV0000034 | RELIEF VLV CART,53GPM,6000 PSI | 1 |

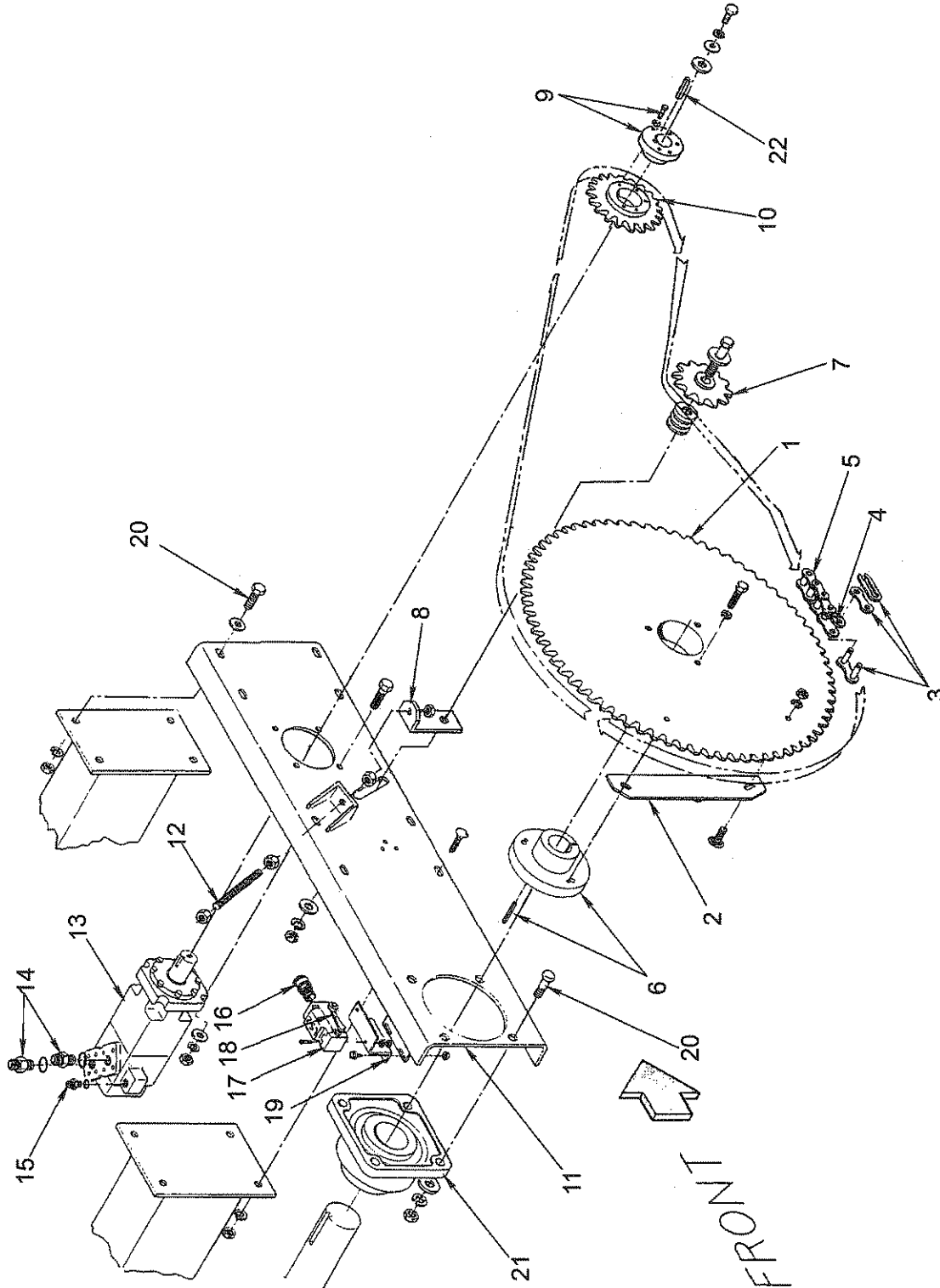
FEEDER AND PICKUP DRIVE ASSEMBLY



FEEDER AND PICKUP DRIVE ASSEMBLY

| REF NO. | PART NO. | DESCRIPTION | QTY. USED | REF NO. | PART NO. | DESCRIPTION | QTY. USED |
|---------|------------|--------------------------------|-----------|---------|------------|-----------------------------------|-----------|
| 1 | ZZ 0000458 | 1/2 X 1/2 X 4-1/2 KEY | 1 | | WCT0000375 | 3/8" FLATWASHER - PLATED | 1 |
| 2 | SPK0602202 | SPROCKET - | 1 | | WLK0000375 | 3/8" MEDIUM LOCKWASHER - PLTD | 1 |
| 3 | BSH0020000 | P/U FEED CRANK DRV BUSHING 2" | 1 | | SCC0030001 | 3/8 X 3/4 NC HT CS - PLATED | 1 |
| 4 | SPK0080360 | SPROCKET | 1 | 17 | OFL0000102 | OFFSET LINK- | 1 |
| 5 | SFC0080504 | 1/2-20 X 1-1/2 GRD 8 CAP SCREW | 4 | 18 | SPK0080190 | SPROCKET - | 1 |
| | WAS0000104 | 1/2 STRUCTURAL WASHER | 4 | 19 | ROD0017217 | NEEDLE YOKE DRIVE ROD | 1 |
| | WLK0000500 | 1/2" LOCKWASHER - PLATED | 4 | | NCH0000500 | 1/2" NC HEX NUT | 4 |
| 6 | BRG0002000 | 1ST FEEDER 1592 CRANK BEARING | 1 | 20 | MTR1091104 | MOTOR - | 1 |
| 7 | BRG0002001 | BEARING STAMPING F/BRG2000 | 2 | | SCC0050007 | 1/2 X 2-1/4 NC HT CS - PLATED | 4 |
| 8 | BRG0002002 | LOCK COLLAR | 1 | | NCH0000500 | 1/2" NC HEX NUT | 4 |
| 9 | NFH0080500 | 1/2"-20 GRADE 8 HEX NUT | 4 | | WCT0000500 | 1/2" FLATWASHER - PLATED | 4 |
| 10 | SHF0023127 | FEEDER CRANK SHAFT | 1 | | WLK0000500 | 1/2" LOCKWASHER - PLATED | 4 |
| 11 | BKT0020148 | CHAIN TIGHTENER BRACKET | 1 | 21 | HYD5315060 | 3/4JIC X 3/4 O-RNG ST THD CONN | 2 |
| 12 | SPK128012S | IDLER SPOCKET - | 1 | 22 | GRD0505568 | PICKUP DRIVE CHAIN GUARD | 1 |
| | NCH0000750 | 3/4" NC HEX NUT - PLATED | 1 | 23 | SPK011536S | IDLER SPRCKET | 2 |
| | WLK0000750 | 3/4" MEDIUM LOCKWASHER-PLATED | 1 | | SCC0070013 | HEX HD CS NC 5/8 X 3-3/4 - PLATED | 2 |
| | WCT0000750 | 3/4" FLATWASHER - PLATED | 1 | | WCT0000625 | FLAT WASHER 5/8 -PLATED | 24 |
| | SCC0080007 | 3/4 X 2-1/4 NC HT CS - PLATED | 1 | | WLK0000625 | 5/8" MEDIUM LOCKWASHER - PLTD | 2 |
| | WAS0000139 | 3/4 SAE FLATWASHER | 5 | | NCH0000625 | HEX NUT NC 5/8 - PLATED | 2 |
| 13 | CNK0000801 | CONNECTING LINK- | 1 | | | | |
| 14 | CHN0008064 | CHAIN - | 1 | | | | |
| 15 | ZZ 0000432 | 5/16 X 5/16 X 1-5/8 KEY | 1 | | | | |
| 16 | BSH0101251 | HUB- 1-1/4 5/16 | 1 | | | | |

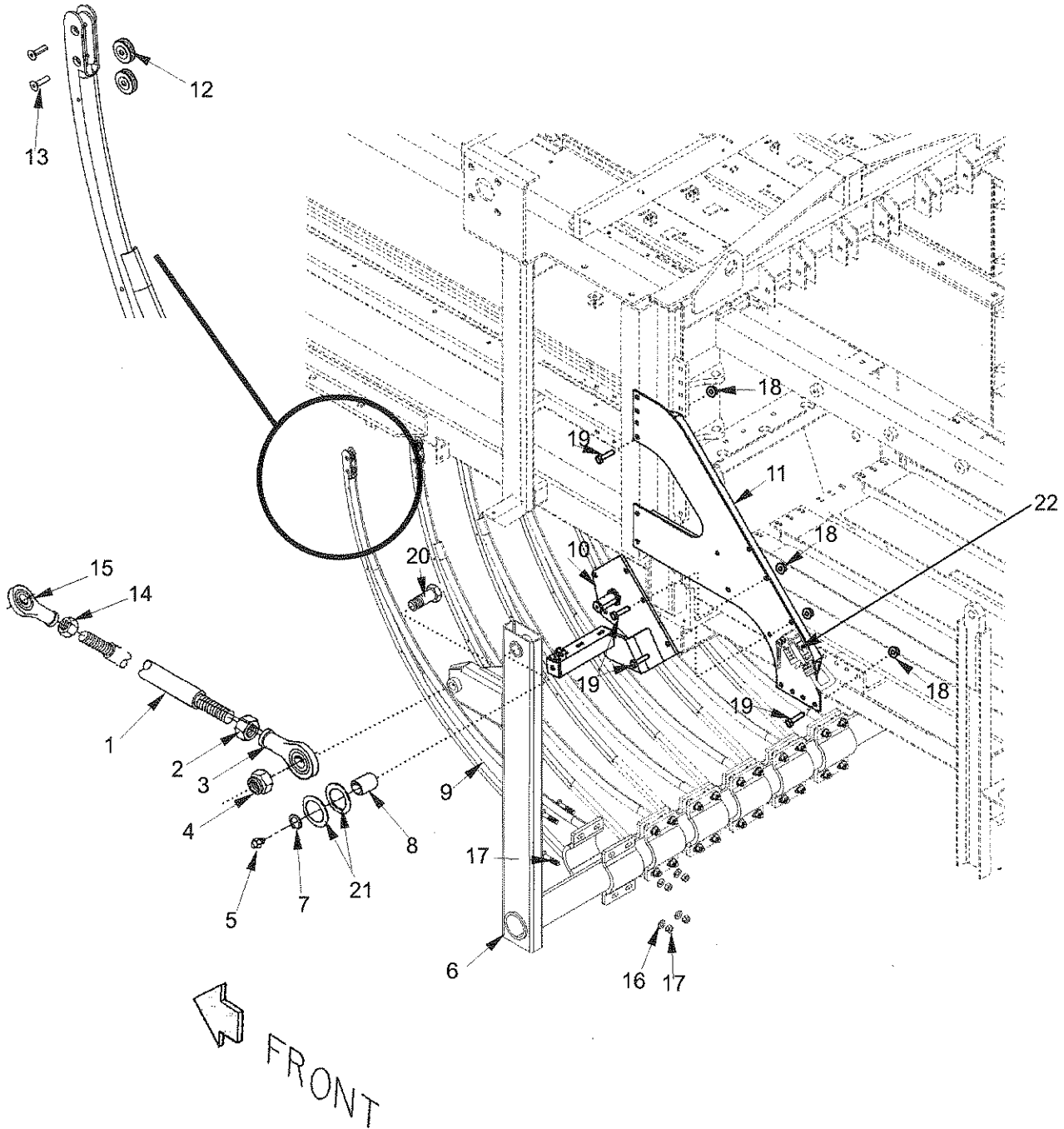
FEED FORK DRIVE ASSEMBLY



FEED FORK DRIVE ASSEMBLY

| REF NO. | PART NO. | DESCRIPTION | QTY. USED | REF NO. | PART NO. | DESCRIPTION | QTY. USED |
|---------|-------------|--------------------------------|-----------|---------|------------|--------------------------------|-----------|
| 1 | SPK0028041 | FEED FORK SPROCKET | 1 | 13 | MTR1121067 | MOTOR- | 1 |
| 2 | CAM0013897 | FEEDER SWITCH CAM | 1 | | NCH0000500 | 1/2" NC HEX NUT - PLATED | 4 |
| | CRB3131000 | 5/16X 1 CARRIAGE BOLT | 1 | | SCC0050007 | 1/2 X 2-1/4 NC HT CS - PLATED | 4 |
| | WLK0000313 | 5/16" MEDIUM LOCKWASHER - PLTD | 1 | | WAS0000104 | 1/2 STRUCTURAL WASHER | 4 |
| | NCH0000313 | 5/16" NC HEX NUT - PLATED | 1 | 14 | HYD5315067 | 3/4JIC X 1" O-RNG ST THD CONN | 2 |
| 3 | CNK0000801 | CONNECTING LINK- | 1 | 15 | F 0006684 | 1/4JIC X 1/4 O-RNG ST THD CONN | 1 |
| 4 | OFL0000102 | OFFSET LINK- | 1 | 16 | CNR0000193 | 1/2" CORD CONN | 1 |
| 5 | CHN00080100 | 2ND FDR DRV CHN | 1 | 17 | SWI0005079 | LIMIT SWITCH -4 POST | 1 |
| 6 | BSH0026875 | BSH SPECIAL | 1 | | SMR1032150 | 10-32X1-1/2 RH MACH SCREW-PLT | 2 |
| | ZZ00000456 | 5/8" X 5/8" X 2-1/2" KEY | 1 | | NFH0001032 | 10-32 NF HEX NUT - PLATED | 2 |
| 7 | SPK128012S | IDLER SPOCKET | 1 | | WLK0000100 | #10 LOCKWASHER - PLATED | 2 |
| | SCC0080014 | 3/4 X 4 NC HT CS - PLATED | 1 | 18 | ARM0CH5084 | 3" LEVER ARM W/3/4" ROLLER | 1 |
| | WAS0000139 | 3/4 SAE FLATWASHER | 5 | 19 | BKT0017448 | 2ND FEED SWITCH BKT - | 1 |
| | WCT0000750 | 3/4" FLATWASHER - PLATED | 1 | | SMS0000172 | 1/4 X 3/4 NC WHIZ BOLT | 2 |
| | NCH0000750 | 3/4" NC HEX NUT - PLATED | 1 | | NMS0000250 | 1/4" NC WHIZ NUT - PLATED | 2 |
| | WLK0000750 | 3/4" MEDIUM LOCKWASHER-PLATED | 1 | 20 | CRB7500175 | 1/2 X 1-3/4 GR 5 CARR BOLT-PLT | 8 |
| 8 | BKT0020148 | CHAIN TIGHTENER BRACKET | 1 | | WAS0000104 | 1/2 STRUCTURAL WASHER | 4 |
| 9 | BSH0101502 | QDSF X 1-1/2 BUSHING | 1 | | NCH0000500 | 1/2" NC HEX NUT - PLATED | 8 |
| | WCT0000500 | 1/2" FLATWASHER - PLATED | 1 | | WLK0000500 | 1/2" LOCKWASHER - PLATED | 8 |
| | WCT0000375 | 3/8" FLATWASHER - PLATED | 1 | 21 | BRG0268750 | 2-11/16"4-BOLT FLANGE BEARING | 1 |
| | WLK0000375 | 3/8" MEDIUM LOCKWASHER - PLTD | 1 | | SCC0070006 | 5/8 X 2 NC HT CS - PLATED | 4 |
| | SCC0030001 | 3/8 X 3/4 NC HT CS - PLATED | 1 | | WLK0000625 | 5/8" LOCKWASHER - PLATED | 4 |
| 10 | SPK0080210 | SPROCKET | 1 | | NCH0000625 | 5/8" NC HEX NUT - PLATED | 4 |
| 11 | MNT0018946 | CHAR LYNN 6000 MOTOR MNT -1500 | 1 | | WAS0000105 | 5/8 STRUCTURAL WASHER | 4 |
| 12 | ROD0015719 | CHAIN TIGHTENER ADJUSTMENT ROD | 1 | 22 | F 0004104 | 3/8 X 3/8 X 1-1/2 KEY | 1 |
| | NCH0000500 | 1/2" NC HEX NUT - PLATED | 4 | | | | |

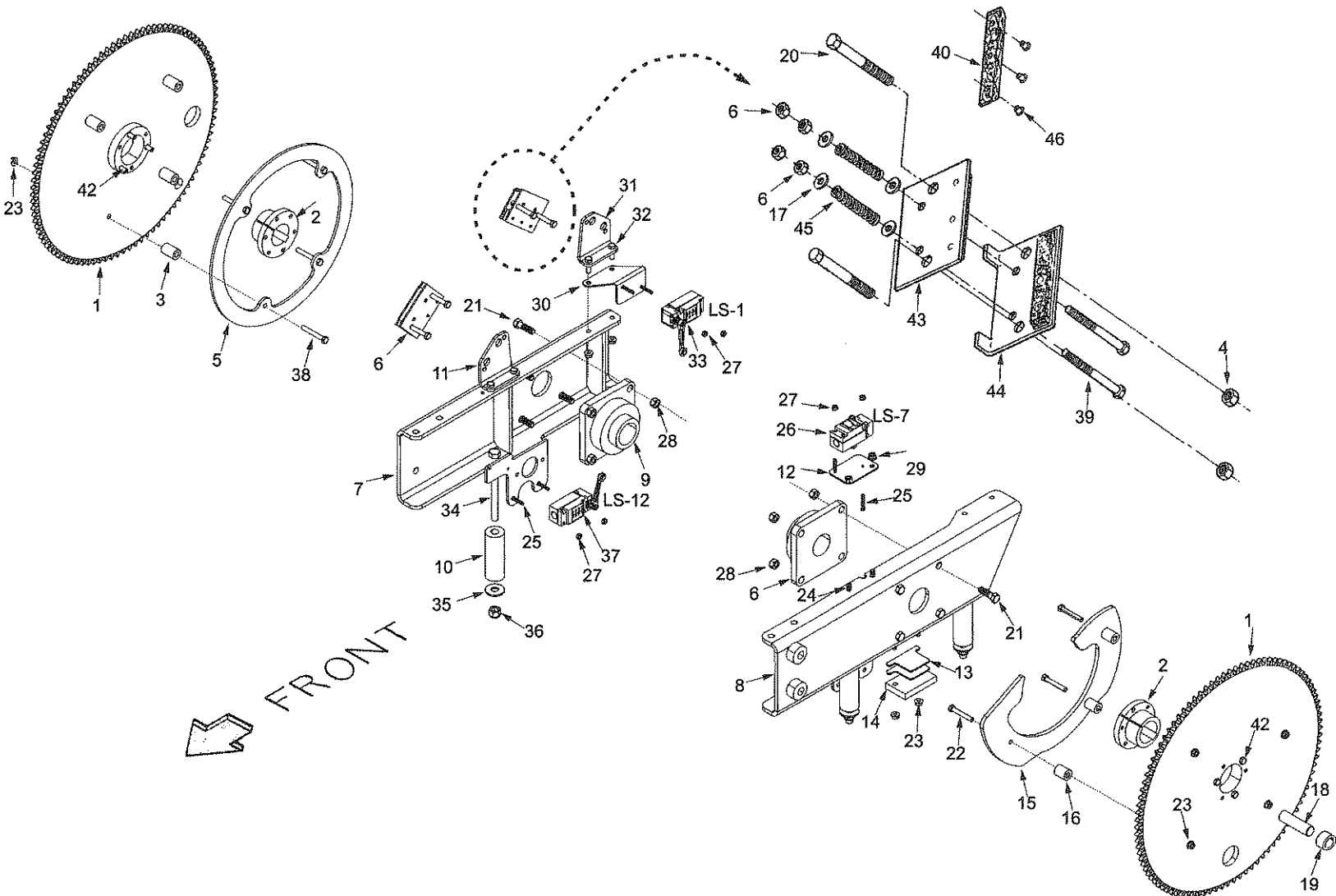
NEEDLES AND NEEDLE YOKE ASSEMBLY



NEEDLES AND NEEDLE YOKE ASSEMBLY

| REF NO. | PART NO. | DESCRIPTION | QTY. USED |
|---------|------------|-----------------------------------|-----------|
| 1 | ROD0035594 | DBLE KNTTER NDLE YOKE DRIVE ROD | 2 |
| 2 | NFJ0012500 | 1-1/4" NF JAM NUT YOKE SIDE | 2 |
| 3 | ROD0000160 | RH ROD END YOKE SIDE | 2 |
| 4 | NFE0001000 | 1" NF ESNA NUT - PLATED | 4 |
| 5 | ZZ 0000100 | 1/4-28 STR 5/16 HEX ZERK | 2 |
| 6 | YOK036353E | NEEDLE YOKE ASSEMBLY | 1 |
| 7 | F 0007988 | SNAP RING F/KNOTTER SHAFT | 2 |
| 8 | F 0004137 | 1-1/2 X 1-3/8 X 2 BUSHING | 2 |
| 9 | NDL036589E | DOUBLE KNOTTER NEEDLE | 6 |
| 10 | MNT036384D | LH NEEDLE YOKE MOUNT ASSY | 1 |
| | MNT036385D | RH NEEDLE YOKE MOUNT ASSY | 1 |
| 11 | SUP036360D | L.H. NEEDLE YOKE PIVOT SUPRT | 1 |
| | SUP036361D | RH NEEDLE YOKE PIVOT SUPRT | 1 |
| 12 | PUL0000001 | PULLEY 1.25 OD X .25 BORE | 12 |
| 13 | SCO0000102 | FLAT HD SOC CS NC 1/4 X 1 | 12 |
| 14 | NFJ0012500 | JAM NUT NF 1-1/4 KNOTTER SIDE | 2 |
| 15 | ROD0001600 | L. H. ROD END KNOTTER SIDE | 2 |
| 16 | WAS0000104 | STRUCTURAL WASHER 1/2 | 24 |
| 17 | F000007552 | NEEDLE TO YOKE CARR BOLT W/NUT | 24 |
| 18 | NMS0000252 | WHIZ NUT NC 1/2 - PLATED | 32 |
| 19 | SCC0050004 | HEX HEAD CAP SCREW 1/2-13 X 1-1/2 | 32 |
| 20 | SFC0001014 | HEX HD CS NF 1 X 4 | 4 |
| 21 | F000007977 | 1-3/8X1-7/8X.010 SPACER WASHER | 2 |
| | SHM0000103 | SHIM-1-3/8"STEEL F/KNOTTER ASSY | 2 |
| 22 | SWI0CH5081 | LIMIT SWITCH -4 POST | 1 |
| | HRN0036239 | LS-13 SWITCH HARNESS TO JOB2 | 1 |
| | CNR0000194 | 1/2 CORD CONNECTOR(.375-.500) | 1 |
| | ARM0CH5084 | 3" LEVER ARM W/3/4" ROLLER | 1 |

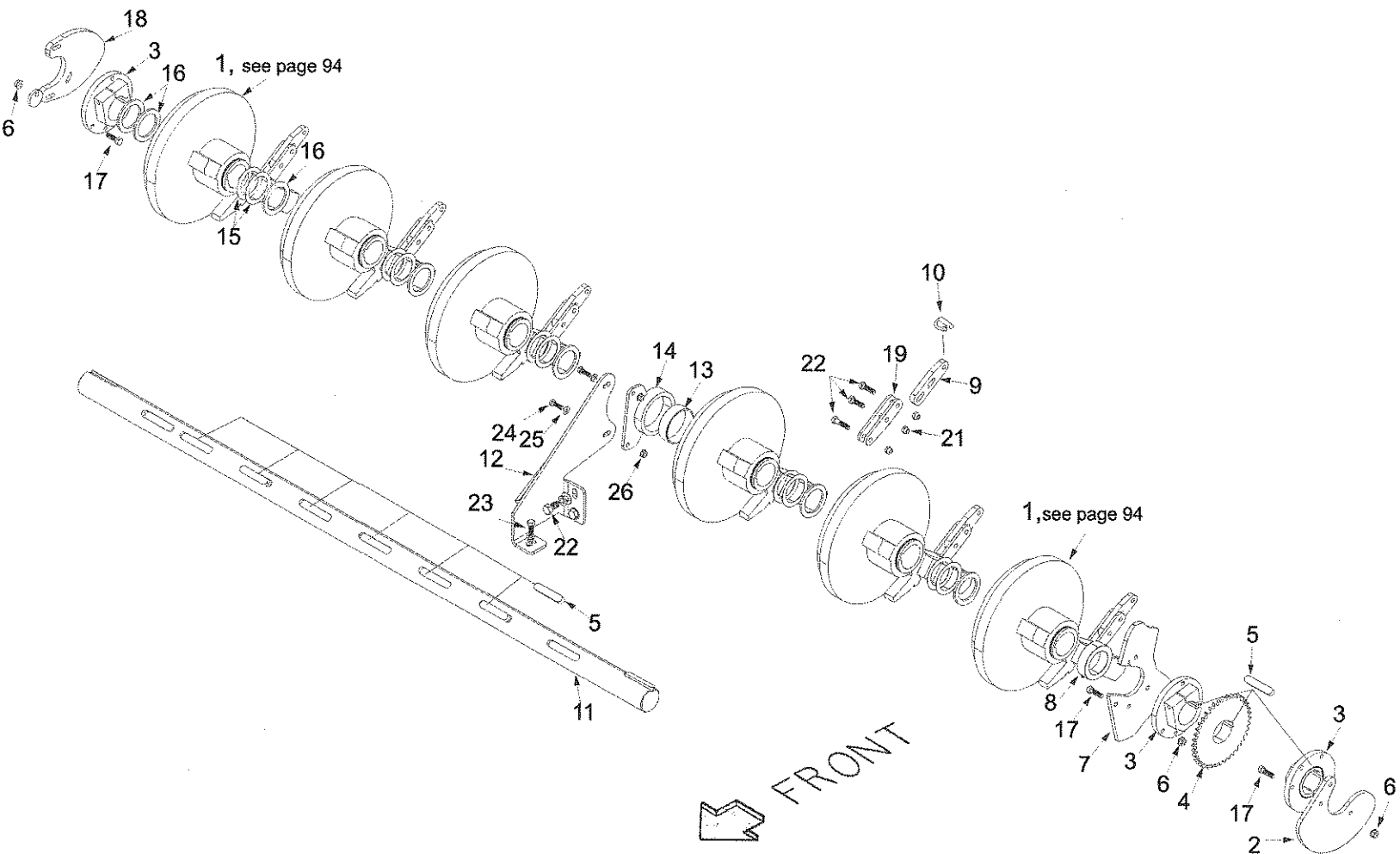
KNOTTER BRAKE ASSEMBLY



KNOTTER BRAKE ASSEMBLY

| REF NO. | PART NO. | DESCRIPTION | QTY. USED | REF NO. | PART NO. | DESCRIPTION | QTY. USED |
|---------|------------|-----------------------------------|-----------|---------|------------|-----------------------------------|-----------|
| 1 | SPK0035580 | DOUBLE KNOTTER SPROCKET | 2 | 26 | SWI0CH5079 | LIMIT SWITCH -4 POST | 1 |
| 2 | BSH0021875 | 2-3/16" BUSHING F/SPK35580 | 2 | | ARM0CH5084 | LEVER ARM, 3" | 1 |
| 3 | SPC036403A | KNOTTER BRAKE SPACER | 4 | | HRN0505671 | HARNES-LS2,3,5,7 -1592 | 1 |
| 4 | NFH0000375 | 3/8" NF HEX NUT - PLATED | 4 | 27 | NFH0001032 | HEX NUT 10-32 ZINC | 6 |
| 5 | KNT036402D | KNOTTER BRAKE DISC | 1 | 28 | NCH0000625 | HEX NUT NC 5/8 - PLATED | 8 |
| 6 | NCH0000250 | HEX NUT NC 1/4 - PLATED | 4 | 29 | NMS0000117 | WHIZ NUT 5/16-18 PLATED | 2 |
| 7 | MNT036413D | RIGHT DOUBLE KNOTTER MNT | 1 | 30 | MNT037317B | DOUBLE KNOTTER LS-1 MOUNT | 1 |
| 8 | MNT036412D | LEFT DOUBLE KNOTTER MOUNT | 1 | 31 | MNT036725B | DOUBLE KNOTTER REAR BRAKE MNT | 1 |
| 9 | BRG0000018 | BEARING 2-3/16" BORE | 2 | 32 | SCC0030003 | HEX HD CS 3/8-16 X 1-1/4 | 2 |
| 10 | KNT036411A | DOUBLE KNOTTER PEDESTAL | 4 | 33 | SWI0CH5081 | LIMIT SWITCH -8 POST | 1 |
| 11 | MNT036726B | DOUBLE KNOTTER FRONT BRAKE MNT | 1 | | ARM0CH5084 | LEVER ARM, 3" | 1 |
| 12 | MNT036748A | DOUBLE KNOTTER LS-7 MOUNT | 1 | | HRN036509D | HARNES, LS-1 SWITCH TO JB-2 | 1 |
| 13 | SHM036869A | TWINE TUCKER STOP SHIM | 2 | 34 | SFC0080720 | GRD 8 HEX HD CS NF 5/8 X 7 | 4 |
| 14 | STO036727A | TWINE TUCKER STOP | 1 | 35 | WAS0000140 | 5/8 SAE FLATWASHER | 4 |
| 15 | CAM036405D | TWINE TUCKER CAM F/ 1600 | 1 | 36 | NFH0000625 | HEX NUT NF 5/8 - PLATED | 4 |
| 16 | SPC036404A | TWINE TUCKER CAM SPACER | 3 | 37 | SWI0CH5081 | LIMIT SWITCH -8 POST | 1 |
| 17 | WCT0000250 | FLAT WASHER 1/4 - PLATED | 4 | | ARM0CH5084 | LEVER ARM, 3" | 1 |
| 18 | SFC0001014 | HEX HD CS 1"-14 X 4"GRADE 5 | 1 | | HRN036510B | HARNES LS-12 SWITCH TO JB-2 | 1 |
| 19 | SPC036406A | NEEDLE YOKE DRIVE SPACER | 1 | 38 | SCC0030009 | HEX HEAD CAP SCREW 3/8-16 X 2-3/4 | 4 |
| 20 | SFC0030010 | HEX HD CS NF 3/8 X 3 - PLATED | 2 | 39 | SCC0000111 | HEX HD CS NC 1/4 X 3-1/4 | 2 |
| 21 | SCC0070005 | HEX HD CS NC 5/8 X 1-3/4 - PLATED | 8 | 40 | F000007454 | BRAKE LINING W/RIVETS (PAIR) | 2 |
| 22 | SCC0030008 | HEX HEAD CAP SCREW 3/8-16 X 2-1/2 | 3 | 41 | RIV0000106 | RIVET F/KNOTTER BRAKE LINING | 6 |
| 23 | NMS0000375 | WHIZ NUT NC 3/8 - PLATED | 9 | 42 | SCC0030006 | HEX HD CS NC 3/8 X 2 - PLATED | 6 |
| 24 | SCC0020002 | HEX HEAD CAP SCREW 5/16-18 X 1 | 2 | 43 | F000007450 | OUTSIDE BRAKE PLATE W/LINING | 1 |
| 25 | SMR1032150 | RND HD MS NF 10-32X1-1/2 | 6 | 44 | F000007449 | INSIDE BRAKE PLATE W/LINING | 1 |
| | | | | 45 | F000007453 | BRAKE PLATE SPRING | 2 |

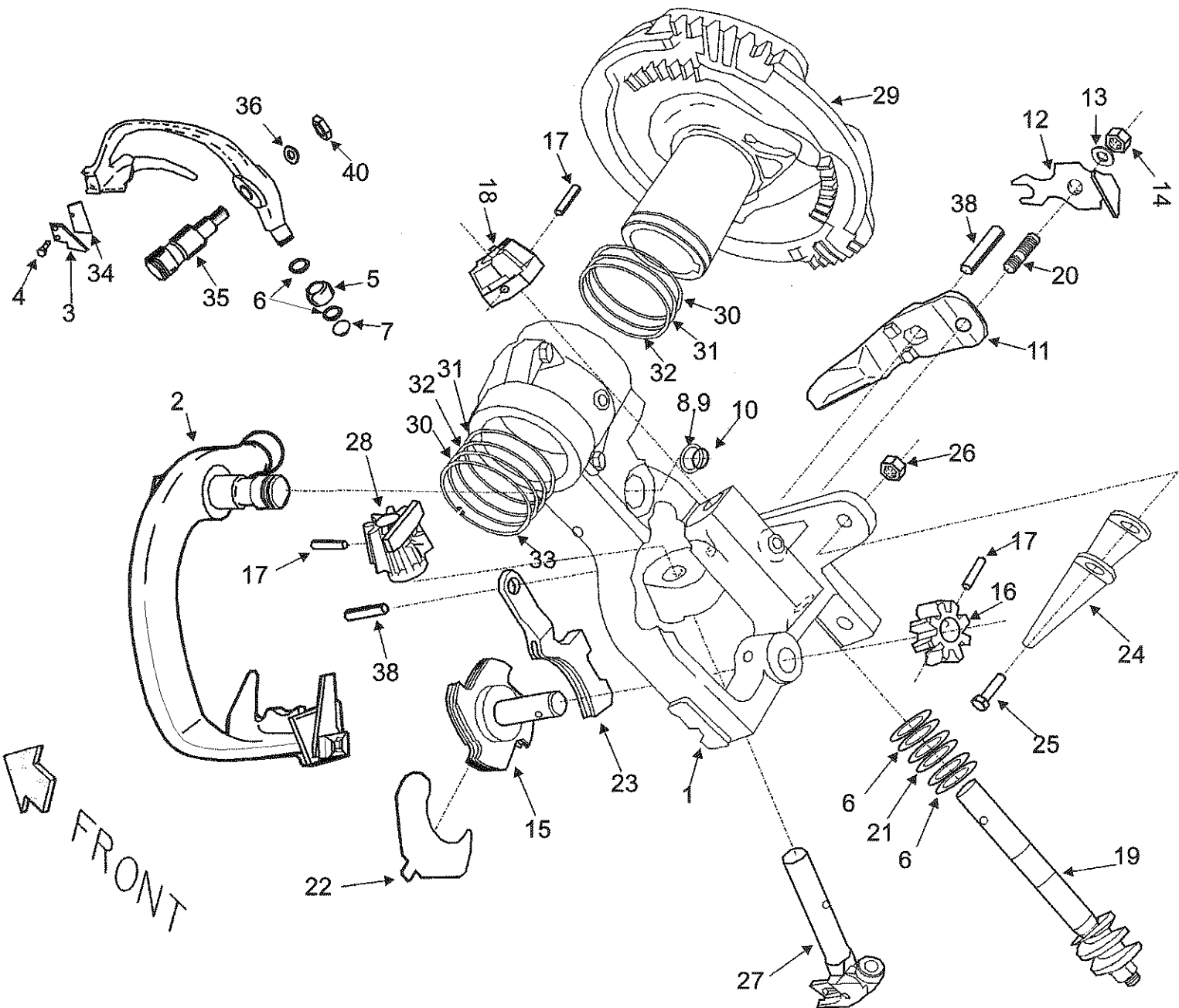
KNOTTER SHAFT ASSEMBLY



KNOTTER SHAFT ASSEMBLY

| REF NO. | PART NO. | DESCRIPTION | QTY. USED |
|------------|-------------|-----------------------------------|--------------|
| 1 | KNT0613103 | DOUBLE KNOTTER COMPLETE | 6 |
| 2 | CAM036734B | DOUBLE KNOTTER LS-7 CAM | 1 |
| 3 | MNT036736B | DOUBLE KNOTTER CAM MOUNT | 3 |
| 4 | SPK0041B40 | SPK 2-3/16" BORE F/DOUBLE KNOTTER | 1 |
| 5 | RS20661130 | DOUBLE KNOTTER KEY | 10 |
| 6 | NMS0000375 | WHIZ NUT NC 3/8 - PLATED | 10 |
| 7 | CAM037541E | ALTERNATE TWINE FINGER CAM #7 | 1 |
| 8 | ZZ00020002 | SET COLLAR, 2-3/16 | 1 |
| 9 | LNK035922B | KNOTTER ANCHOR LINK | 6 |
| 10 | PIN0375125 | 3/8 X 1-1/4 SNAPPER PIN | 6 |
| 11 | SHF036672E | DOUBLE KNOTTER SHAFT | 1 |
| 12 | SUP037147D | CENTER BEARING SUPPORT | 1 |
| 13 | BRG0000015 | BRONZE BRG, OIL IMPREGNATED | 1 |
| 14 | MNT036479B | DOUBLE KNOTTER CENTER BRG MNT | 1 |
| 15 | SHM036712A | DOUBLE KNOTTER SHIM-22GA | 12 |
| 16 | SPC036711A | DOUBLE KNOTTER SPACER 3/16" | 8 |
| 17 | SCC0030003 | HEX HD CS 3/8-16 X 1-1/4 | 10 |
| 18 | CAM036738B | DOUBLE KNOTTER LS-1,LS-12 CAM | 1 |
| | CAM037314B | KNOTTER SLOWDOWN CAM | 1 |
| 19 | CLP035921B | KNOTTER ANCHOR CLAMP | 12 |
| 20 | SCC0030005 | HEX HD CS NC 3/8 X 1-3/4 | 18 |
| 21 | NCE0000375 | ESNA NUT 3/8-16 PLATED | 18 |
| 22 | SCC0050002 | 1/2-13 X 1" HEX CAP SCREW GRADE 5 | 2 |
| | WCT0000500 | FLAT WASHER 1/2 USS | 2 |
| | WLK0000500 | 1/2" LOCKWASHER - PLATED | 2 |
| 23 | SCC0030002 | HEX HEAD CAP SCREW 3/8-16 X 1" | 1 |
| | WCT0000375 | FLAT WASHER 3/8 USS | 1 |
| | WLK0000375 | 3/8" MEDIUM LOCKWASHER - PLTD | 1 |
| 24 | SCC0020002 | HEX HEAD CAP SCREW 5/16-18 X 1 | 2 |
| 25 | WCT0000313 | FLAT WASHER 5/16 -PLATED | 4 |
| 26 | NMS0000117 | WHIZ NUT 5/16-18 PLATED | 2 |

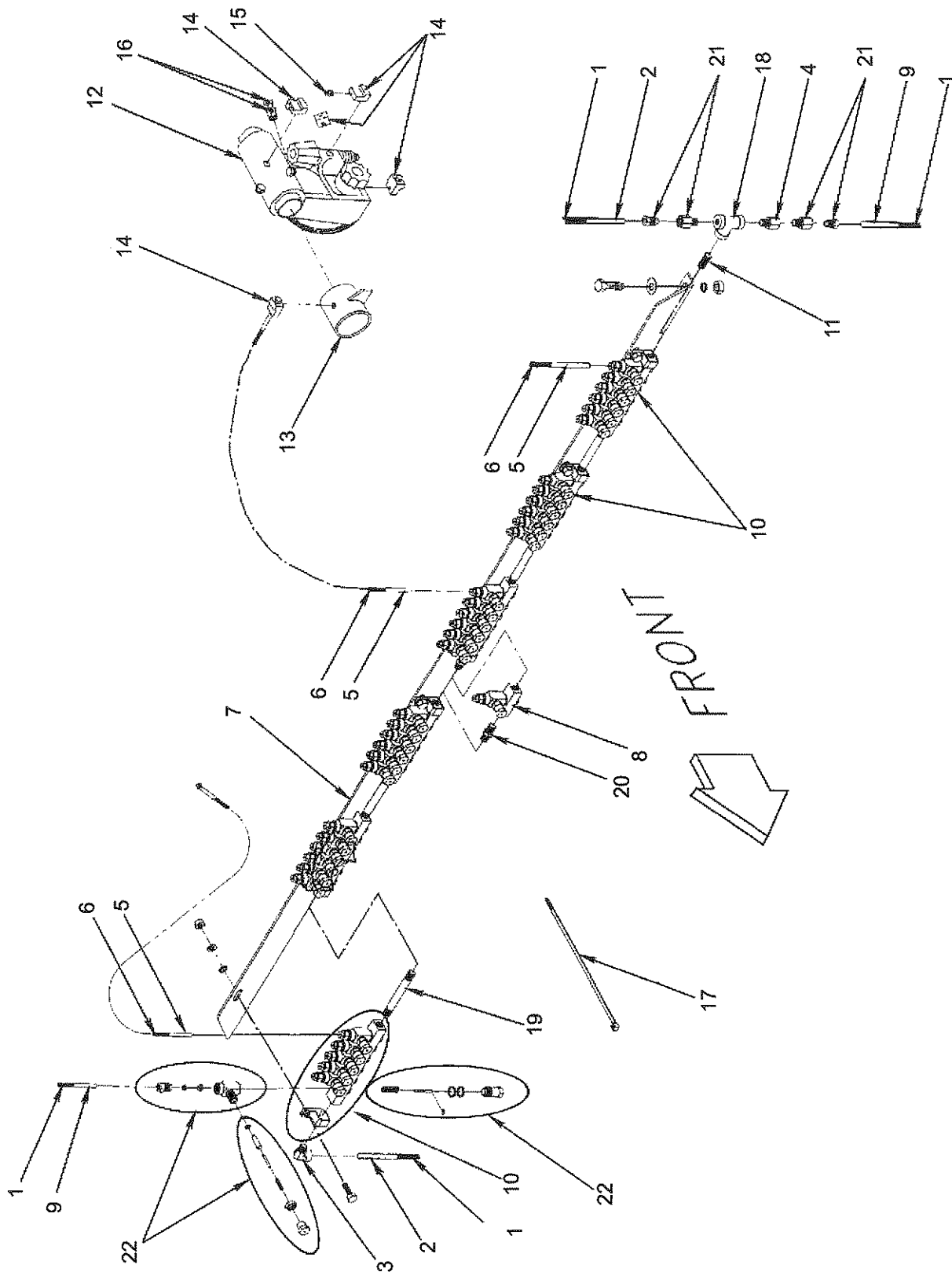
DOUBLE KNOTTER ASSEMBLY



DOUBLE KNOTTER ASSEMBLY

| REF NO. | PART NO. | DESCRIPTION | QTY. USED | REF NO. | PART NO. | DESCRIPTION | QTY. USED |
|---------|------------|---------------------------------|-----------|---------|-------------|-------------------------------------|-----------|
| | KNT0613103 | DOUBLE KNOTTER COMPLETE | 6 | 21 | F000000658 | 14 GA. KNOTTER WORM WASHER | AR |
| 1 | RS20061311 | DOUBLE KNOTTER FRAME | 1 | | F000000659 | 18 GA. KNOTTER WORM WASHER | AR |
| 2 | RS20661231 | DOUBLE KNOTTER KNIFE ARM | 1 | | F000001680 | 28 GA. KNOTTER WORM WASHER | AR |
| 3 | RS20644360 | DOUBLE KNOTTER TWINE KNIFE | 1 | 22 | RS20637832 | DOUBLE KNOTTER CLEANER | 1 |
| 4 | RS30501651 | DOUBLE KNOTTER TWINE KNIFE BOLT | 2 | 23 | RS20637841 | DOUBLE KNOTTER TWINE HOLDER | 1 |
| 5 | F000008274 | ROLLER F/KNIFE ARM | 1 | 24 | F000008052 | TWINE HOLDER SPRING | 3 |
| 6 | F000008280 | 1 MM WASHER-WORM SHF & KNF ARM | AR | 25 | SCCM010030 | GRD 8.8 HEX HD CS 10M X 1.50 X 30MM | 1 |
| | RS00010500 | .5MM WASHER-WORM SHF & KNF ARM | AR | 26 | NCHM010150 | GR 8.8 HEX NUT 10M X 1.50 MC | 1 |
| 7 | F000008275 | SNAP RING F/KNIFE ARM ROLLER | 1 | 27 | RS20661280 | DOUBLE KNOTTER BILL HOOK ASSY | 1 |
| 8 | RS34262000 | DOUBLE KNOTTER SPACER | AR | 28 | RS20661270 | DOUBLE KNOTTER BILL HOOK PINION | 1 |
| 9 | F000007860 | KNIFE ARM WASHER 25 X 20 X .5M | AR | 29 | RS20561321 | DOUBLE KNOTTER CAM GEAR | 1 |
| 10 | F000007976 | SNAP RING F/KNIFE ARM SHAFT | 1 | 30 | RS20661070 | DOUBLE KNOTTER WASHER 1.3MM SS | AR |
| 11 | RS20632030 | DOUBLE KNOTTER JAW CAM | 1 | 31 | RS20661080 | DOUBLE KNOTTER WASHER .5MM SS | AR |
| 12 | F000007947 | KNOTTER HOOK CAM ADJUST SPRING | 1 | 32 | RS20661090 | DOUBLE KNOTTER ADJ WASH .2MM SS | AR |
| 13 | WCT0000313 | FLAT WASHER 5/16 -PLATED | 1 | 33 | RS20661060 | DOUBLE KNOTTER CIRCLIP | 1 |
| 14 | RS33110851 | DOUBLE KNOTTER NUT | 1 | 34 | RS20621360 | DOUBLE KNOTTER KNIFE SUP SPACER | 1 |
| 15 | RS20661240 | DOUBLE KNOTTER TWINE DISC ASSY | 1 | 35 | RS20637724 | KNIFE ARM PIN ONLY - | 1 |
| 16 | F000007871 | TWINE HOLDER DISC WORM PINION | 1 | 36 | RS20661120 | LOCKWASHER F/KNIFE ARM PIN | 1 |
| 17 | RS05227344 | SPIRAL PIN F/KNOTTER GEARS | 3 | 37 | RS331112051 | NUT F/KNIFE ARM PIN | 1 |
| 18 | RS20661260 | DOUBLE KNTTER WORM GEAR PINION | 1 | 38 | RS03451926 | PIN F/BILL HOOK CAM & SPRING | 2 |
| 19 | RS20637801 | DOUBLE KNOTTER WORM SHAFT ASY | 1 | | | | |
| 20 | RS03451926 | PIN F/TWINE HOLDER | 1 | | | | |

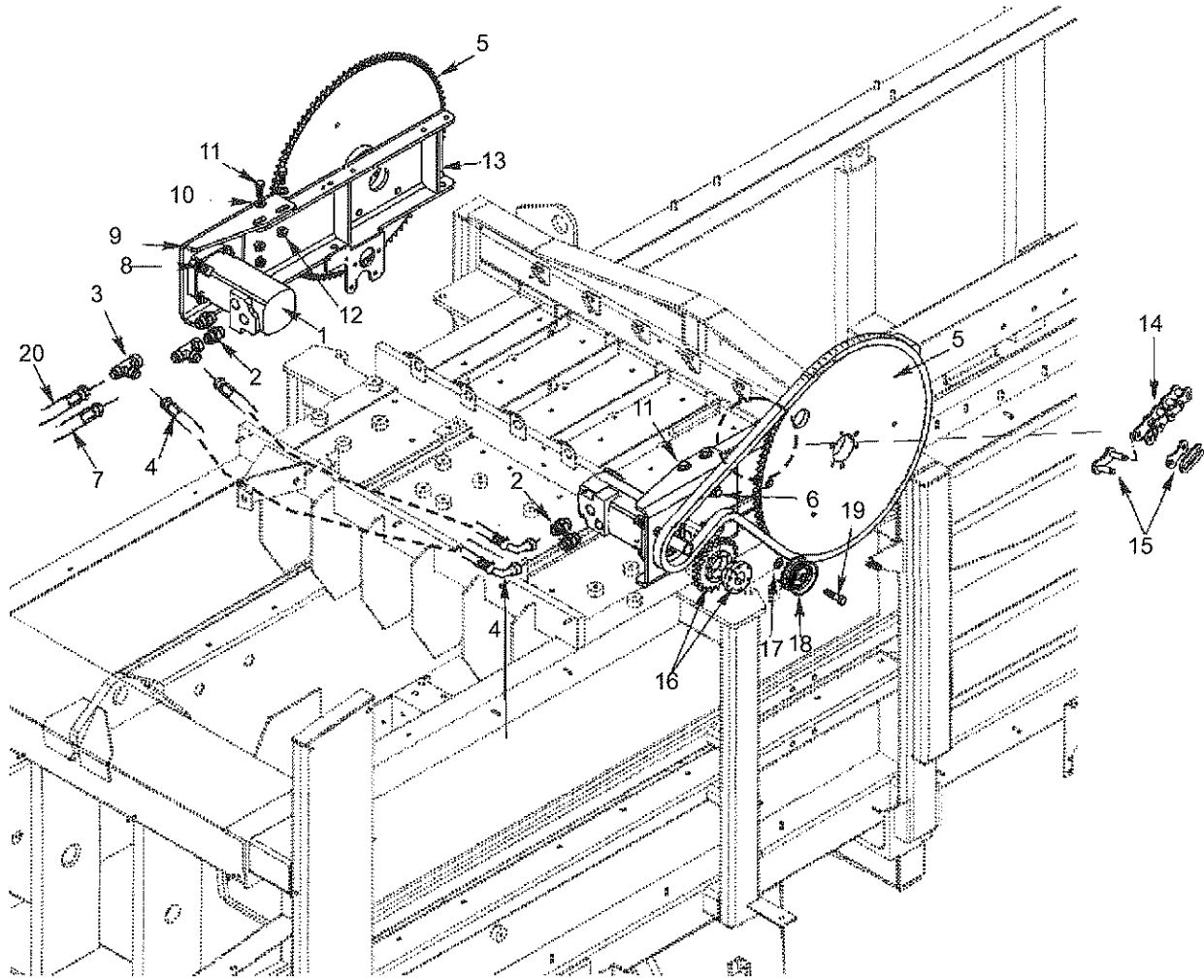
KNOTTER LUBER ASSEMBLY



KNOTTER LUBER ASSEMBLY

| REF NO. | PART NO. | DESCRIPTION | QTY. USED | REF NO. | PART NO. | DESCRIPTION | QTY. USED |
|---------|------------|--------------------------------|-----------|---------|-------------|---------------------------------|-----------|
| 1 | AO 0000312 | 5/16" FABRIC WIRE LOOM | A/R | 10 | LUB0833116 | LUBER ASSY, MANIFOLD, 6 HOLE | 6 |
| 2 | TBE0002509 | TUBING W/SLEEVE TO CHN- | 2 | | SCC0010002 | 1/4 X 1 NC HT CS - PLATED | 1 |
| 3 | F 0001441 | 1/4 X 1/8 90° ELBOW | 2 | | NCH0000250 | 1/4 NC HEX NUT PLATED | 1 |
| 4 | VLV00B1113 | AUTO LUBER VALVE | 37 | | WLK0000250 | 1/4 MEDIUM LOCKWASHER -PLATED | 1 |
| 5 | F 0007400 | TUBING 32" | 37 | 11 | PPE00000125 | 1/8 XCLOSE NIPPLE, STD BLK PIPE | 1 |
| 6 | F 0008291 | COVER FOR 1/8 TUBING | 37 | 12 | KNT0600600 | KNOTTER HEAD ASSY | 6 |
| 7 | BKT0032981 | BRACKET, LUBER MOUNTING | 1 | 13 | BRG0022548 | KNOTTER SHAFT CENTER BEARING | 1 |
| | SCC0020002 | 5/16 X 1 NC HT CS - PLATED | 2 | 14 | F 0008288 | 90° AUTO LUBER FITTING | 25 |
| | WCT0000313 | 5/16" FLATWASHER-PLATED | 2 | 15 | F 0008306 | FERRULE F/AUTO LUBER FITTING | 25 |
| | WLK0000313 | 5/16" MEDIUM LOCKWASHER - PLTD | 2 | 16 | F 0008287 | STR AUTO LUBER FITTING | 12 |
| | NCH0000313 | 5/16" NC HEX NUT - PLATED | 2 | 17 | F 0008290 | 3/16 X 7-1/4 CABLE TIE - BLACK | 36 |
| 8 | LUB0833111 | LUBER ASSY, MANIFOLD, 1 HOLE | 1 | 18 | PPE0040125 | 1/8 STD BLK PIPE TEE | 1 |
| | SCC0010002 | 1/4 X 1 NC HT CS - PLATED | 1 | 19 | PPE1250300 | 1/8 X 3 STD BLK PIPE NIPPLE | 4 |
| | NCH0000250 | 1/4 NC HEX NUT PLATED | 1 | 20 | HYD3069021 | 1/8 NPT STL HEX NIPPLE | 2 |
| | WLK0000250 | 1/4 MEDIUM LOCKWASHER -PLATED | 1 | 21 | F 0000778 | 1/4 X 1/8 HVY DUTY TUBE CONN. | 2 |
| 9 | TBE0002501 | TUBE TO TANK W/SLEEVE | 1 | 22 | LUB0083313 | INJECTOR, REPLACEMENT ONLY | A/R |
| | | | | | LUB0032982 | LUBER, KNOTTER ASSY, | 1 |

KNOTTER DRIVE

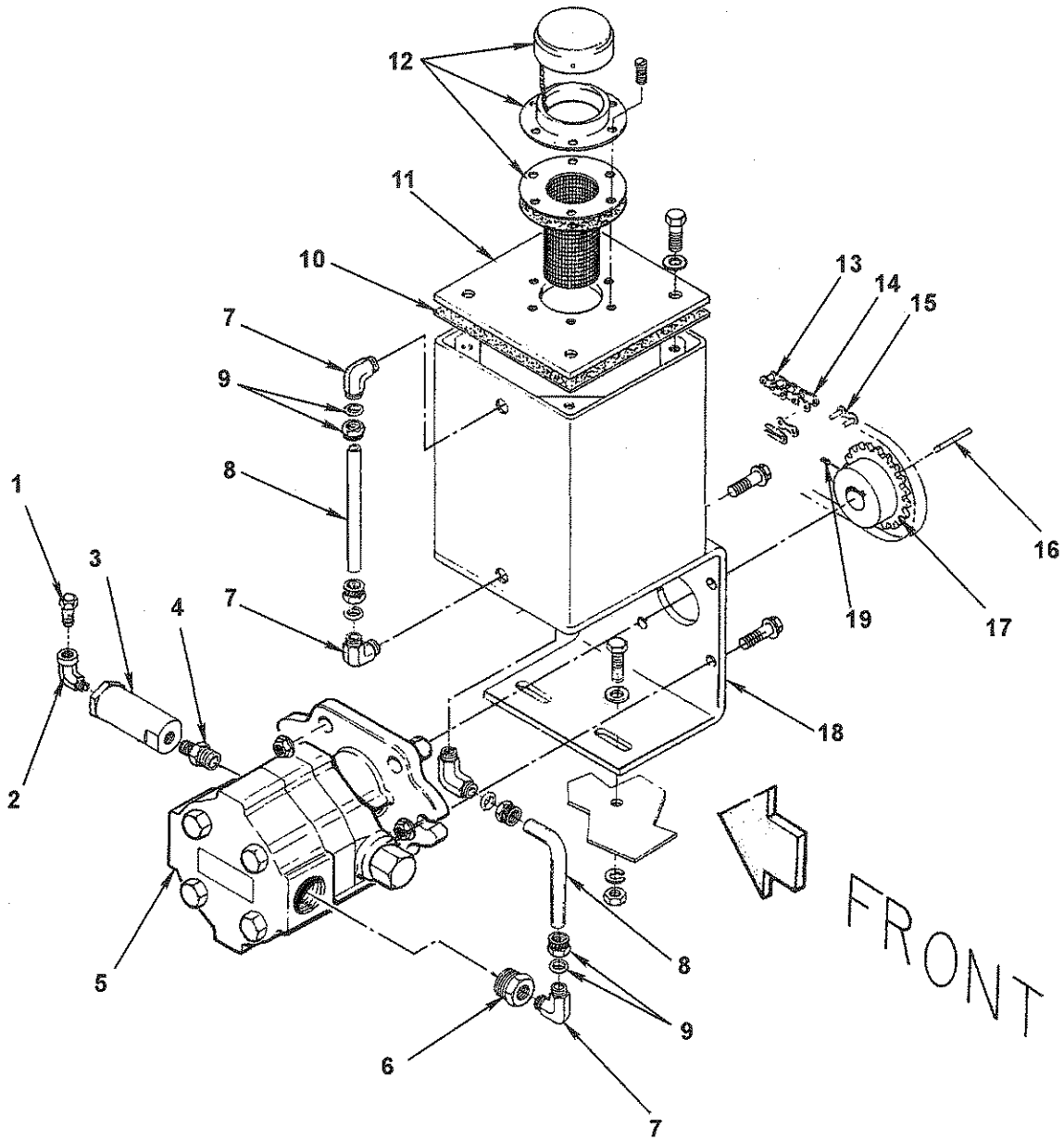


FRONT

KNOTTER DRIVE

| REF NO. | PART NO. | DESCRIPTION | QTY. USED |
|------------|-------------|-----------------------------------|--------------|
| 1 | MTR1091102 | HYDRAULIC MOTOR F/1592D | 2 |
| 2 | HYD5315060 | 3/4JIC X 3/4 O-RNG ST THD CONN | 4 |
| 3 | HYD5706060 | 3/4" JIC SWIVEL RUN TEE | 2 |
| 4 | HOS037017A | KNOTTER MOTOR SECONDARY HOSE | 2 |
| 5 | SPK0035580 | DOUBLE KNOTTER SPROCKET | 2 |
| | BSH0021875 | 2-3/16" BUSHING | 2 |
| | SCC0030006 | HEX HD CS NC 3/8 X 2 | 3 |
| | RS20661130 | DOUBLE KNOTTER KEY | 2 |
| 6 | SCC0050007 | 1/2-13 X 2-1/4 CAP SCREW-PLATED | 2 |
| 7 | HOS037569A | KNOTTER RETURN HOSE | 1 |
| 8 | SCC0050007 | 1/2-13 X 2-1/4 CAP SCREW-PLATED | 8 |
| | WCT0000500 | FLAT WASHER 1/2 USS -PLATED | 16 |
| | NCE0000500 | ESNA NUT NC 1/2" - PLATED | 8 |
| 9 | MNT036422D | RIGHT KNOTTER MOTOR MOUNT | 1 |
| | MNT036421D | LEFT KNOTTER MOTOR MOUNT | 1 |
| 10 | WCT0000500 | FLAT WASHER 1/2 USS -PLATED | 4 |
| 11 | SCC0050003 | HEX HEAD CAP SCREW 1/2-13 X 1-1/4 | 4 |
| 12 | NMS0000252 | WHIZ NUT NC 1/2 - PLATED | 6 |
| 13 | MNT036413D | RIGHT DOUBLE KNOTTER MNT | 1 |
| | MNT036412D | LEFT DOUBLE KNOTTER MNT | 1 |
| 14 | CHN0060125 | DOUBLE KNOTTER DRIVE CHAIN | 2 |
| 15 | F000000760 | CONNECTING LINK | 2 |
| 16 | SPK60SDS21 | MOTOR DRIVE SPROCKET W/ BSH | 2 |
| 17 | SPC036451A | KNOTTER DRIVE IDLER SPACER | 2 |
| 18 | F000000883 | IDLER PULLEY F/KNOT CHAIN DRIV | 2 |
| 19 | SCC0050014 | HEX HD CS 1/2-13 X 4"GRD 5 | 2 |
| | NMS0000252 | WHIZ NUT NC 1/2 - PLATED | 2 |
| 20 | HOS037354A | KNOTTER SLOWDOWN KIT HOSE | 1 |

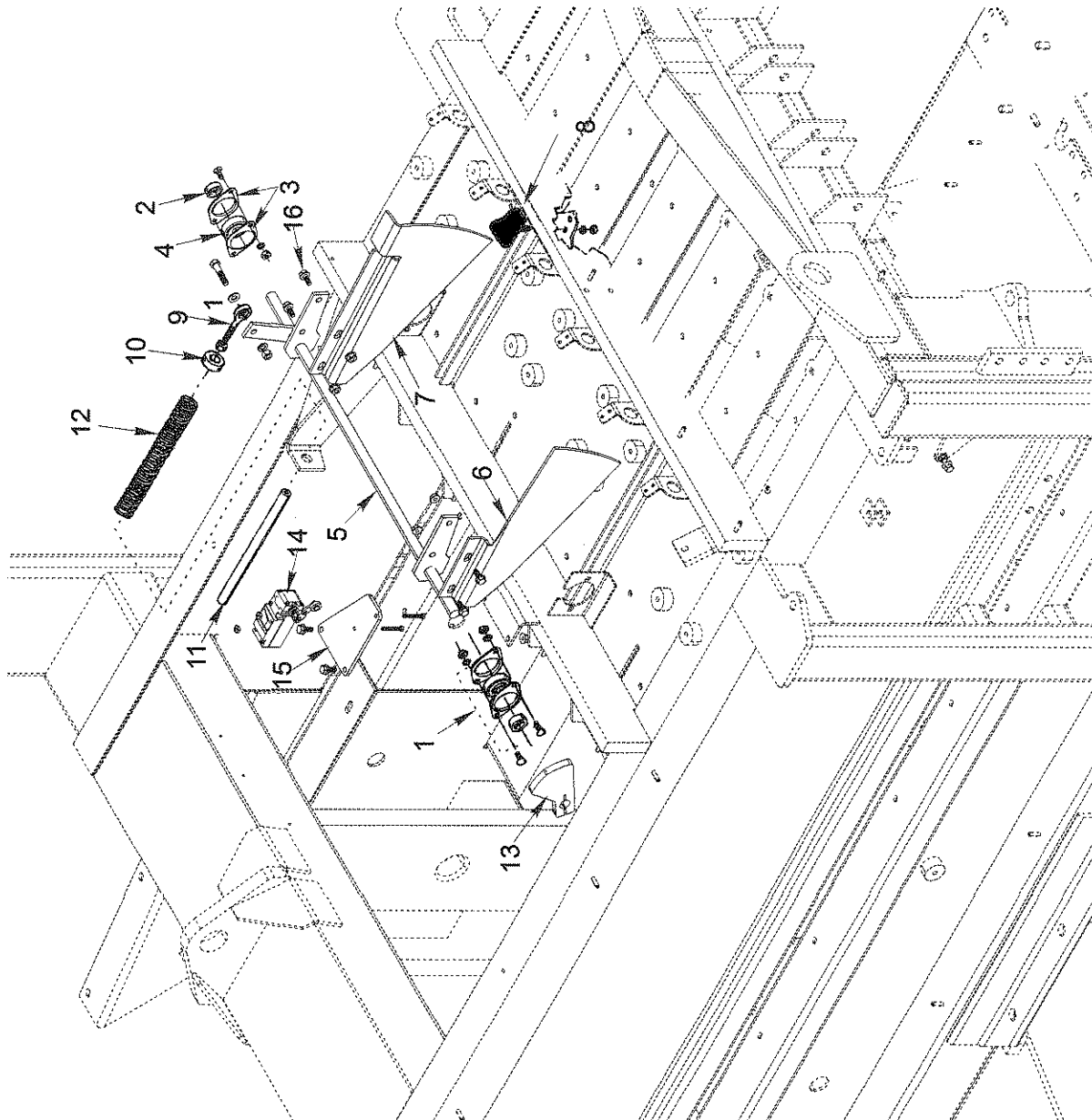
LUBER PUMP & TANK ASSEMBLY



LUBER PUMP & TANK ASSEMBLY

| REF NO. | PART NO. | DESCRIPTION | QTY. USED | REF NO. | PART NO. | DESCRIPTION | QTY. USED |
|---------|------------|----------------------------------|-----------|---------|------------|--------------------------------|-----------|
| 1 | F 0008312 | 1/4 SLEEVE F/F1441 | 1 | 12 | FIL0010003 | FILTER CAP COMPLETE W/SCREEN | 1 |
| 2 | F 0001441 | 1/4 X 1/8 90° ELBOW | 1 | | SCC0020003 | 5/16 X 1-1/4 NC HT CS - PLATED | 4 |
| 3 | FIL0009052 | 1/4 IN-LINE FILTER | 1 | | WAS0725002 | WAHER 5/16 X 11/16 OD. | 4 |
| 4 | HYD3069032 | NIPPLE 1/4X3/8 NPT HEX | 1 | 13 | FT 0000165 | PUMP DRIVE CHAIN- | 1 |
| 5 | PMP0000003 | AUTO LUBER PUMP | 1 | | SMR1032500 | 10-32X1/2 RH MACH SCREW-PLT | 6 |
| | SEL0047311 | SEAL KIT | 1 | 14 | FT 0000113 | CONNECTING LINK - | 1 |
| | NMS0000117 | 5/16" NC WHIZ NUT - PLATED | 4 | 15 | FT 0000114 | OFFSET LINK - | 1 |
| | SCC0020002 | 5/16 X 1 NC HT CS - PLATED | 4 | 16 | ZZ 0000403 | 1/8 X 1/8 X 1 KEY | 1 |
| 6 | PPE0500250 | 1/2" X 1/4" STD BLK HEX BUSH | 1 | 17 | F 0008201 | LUBER/KNOTTER SPROCKET | 1 |
| 7 | F 0008209 | 3/8" X 1/4" 90° BRASS MALE ELBOW | 4 | 18 | LUB0017169 | LUBER TANK ONLY-1592 | 1 |
| 8 | F 0008199 | SITE GAUGE F/AUTO LUBER TANK | 2 | | SCC0030002 | 3/8 X 1 NC HT CS - PLATED | 2 |
| 9 | IMP0026106 | 3/8 NUT & SLEEVE ASSEMBLY | 4 | | WCT0000375 | 3/8" FLATWASHER - PLATED | 2 |
| | IMP0026006 | 3/8" PLASTIC SLEEVE ONLY | 4 | | WLK0000375 | 3/8" MEDIUM LOCKWASHER - PLTD | 2 |
| 10 | F 0008198 | GASKET F/AUTO LUBER TANK | 1 | | NCH0000375 | 3/8" NC HEX NUT - PLATED | 2 |
| 11 | F 0008197 | TANK COVER F/F-8196 | 1 | 19 | STS2500250 | 1/4-20 X 1/4 SOC. SETSCREW | 2 |

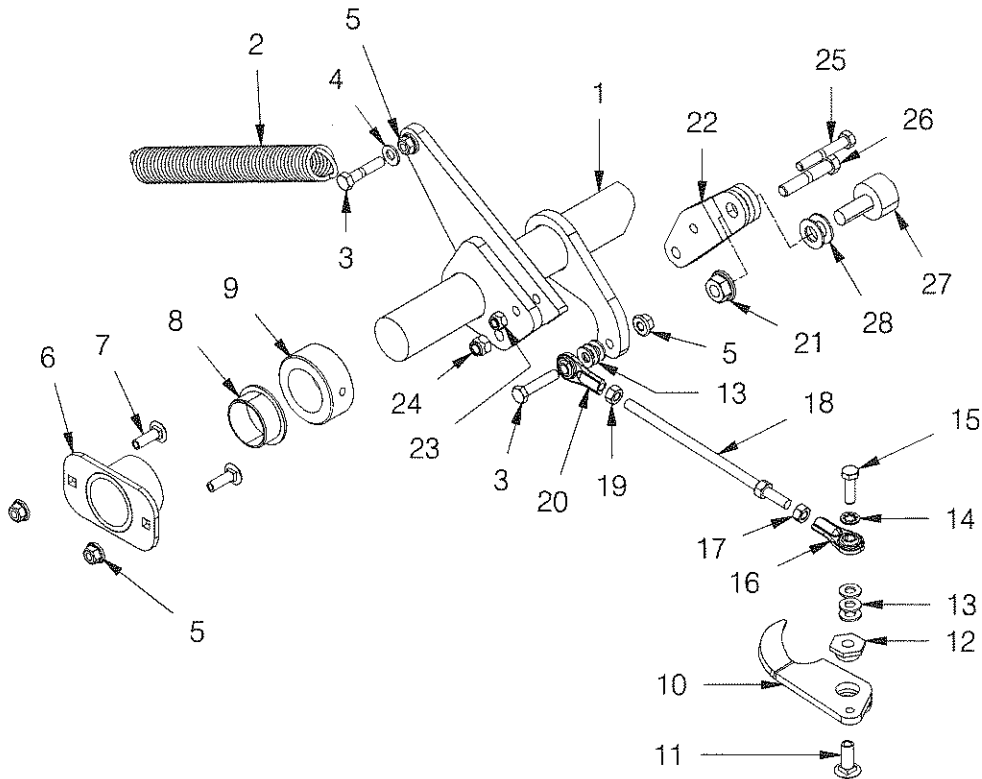
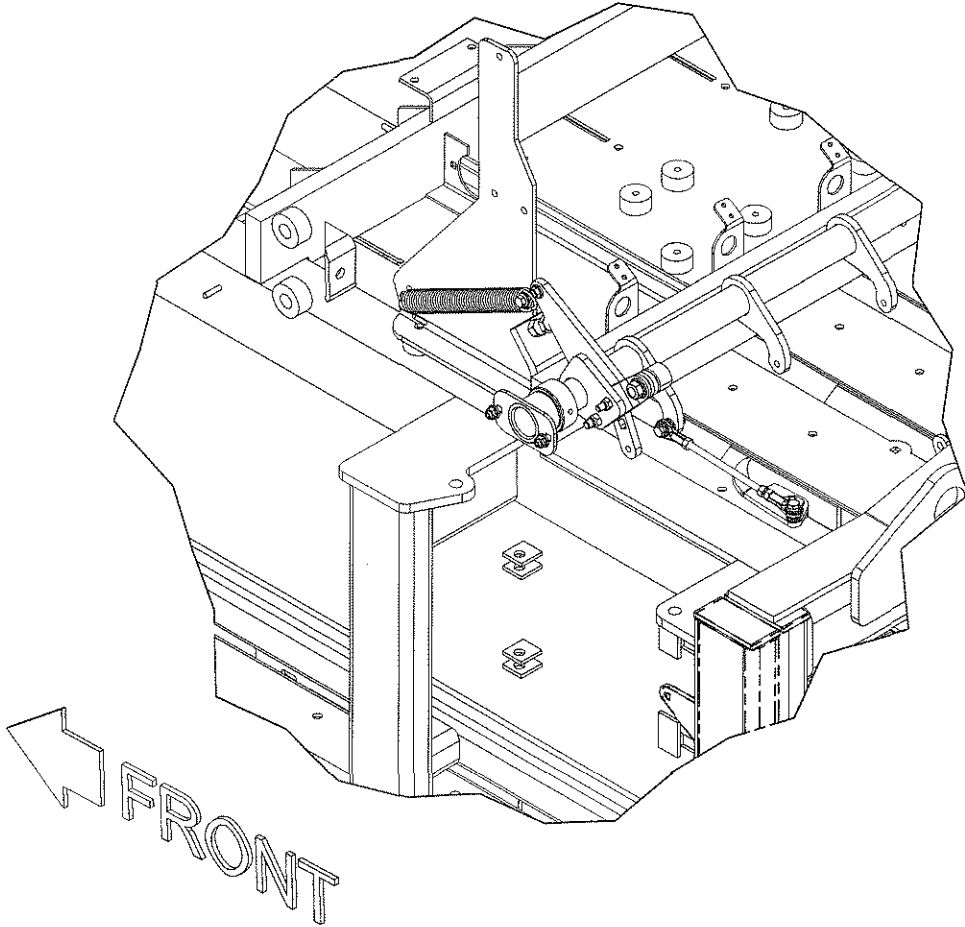
FULL FEED SENSOR ASSEMBLY



FULL FEED SENSOR ASSEMBLY

| REF NO. | PART NO. | DESCRIPTION | QTY. USED | REF NO. | PART NO. | DESCRIPTION | QTY. USED |
|---------|------------|--------------------------------|-----------|---------|------------|--------------------------------|-----------|
| 1 | F 0001618 | METER WHEEL SHAFT BRG W/CLAMPS | 2 | 8 | F 0008264 | RUBBER BUMPER | 1 |
| | WLK0000313 | 5/16" MEDIUM LOCKWASHER - PLTD | 4 | | WLK0000375 | LOCKWASHER 3/8 MEDIUM PLTD | 1 |
| | NCH0000313 | 5/16" NC HEX NUT - PLATED | 4 | | NFH0000375 | 3/8" NF HEX NUT - PLATED | 1 |
| | CRB3130075 | 5/16X 3/4 CARRIAGE BOLT-PLTD | 4 | 9 | ROD0000600 | ROD END L | 1 |
| 2 | F 0001890 | LOCKING COLLAR (PART OF REF#4) | 2 | | SCC0030004 | 3/8 X 1-1/2 NC HT CS - PLATED | 1 |
| 3 | F 0001889 | FLANGETTE F/F1618 BEARING | 4 | | WCT0000375 | 3/8" FLATWASHER - PLATED | 1 |
| 4 | F 0001619 | METER WHEEL SHAFT-BEARING ONLY | 2 | | WLK0000375 | LOCKWASHER 3/8 MEDIUM PLTD | 1 |
| 5 | ARM0022540 | FEED SENSOR ARM ASSEMBLY | 1 | | NCH0000375 | 3/8" NC HEX NUT - PLATED | 1 |
| 6 | PDL0015668 | LH FEED SENSOR PADDLE- 38" | 1 | | NFH0000375 | 3/8" NF HEX NUT - PLATED | 1 |
| | PDL0027208 | LH FEED SENSOR PADDLE -36" C/O | 1 | 10 | F 0000172 | 3/4"STEEL SET COLLAR | 1 |
| | PDL035816E | LH FEED SENSOR PADDLE,34-1/2" | 1 | 11 | ROD0015671 | FEED SENSOR GUIDE ROD | 1 |
| | WLK0000375 | LOCKWASHER 3/8 MEDIUM PLTD | 2 | 12 | 04-105 | 06-130,INDEX TRIP,RETURN | 1 |
| | NCH0000375 | 3/8" NC HEX NUT - PLATED | 2 | 13 | CAM0015917 | CHARGE SWITCH CAM | 1 |
| | SCC0030002 | 3/8 X 1 NC HT CS - PLATED | 2 | | SCC0030002 | 3/8 X 1 NC HT CS - PLATED | 4 |
| 7 | PDL0017210 | RH FEED SENSOR PADDLE-38" | 1 | | SCC0020005 | 5/16 X 1-3/4 NC HT CS - PLATED | 1 |
| | PDL0027207 | RH FEED SENSOR PADDLE -36" C/O | 1 | | NCE0000313 | 5/16" NC ESNA NUT - PLATED | 1 |
| | PDL035817E | RH FEED SENSOR PADDLE,34-1/2" | 1 | 14 | SWI0005079 | LIMIT SWITCH -4 POST | 1 |
| | WLK0000375 | LOCKWASHER 3/8 MEDIUM PLTD | 2 | | SMR1032150 | RND HD MS NF 10-32X1-1/2 | 2 |
| | NCH0000375 | 3/8" NC HEX NUT - PLATED | 2 | 15 | MNT037268B | LS-3 LIMIT SWITCH MOUNT | 1 |
| | SCC0030002 | 3/8 X 1 NC HT CS - PLATED | 2 | 16 | SCC0030002 | HEX HEAD CAP SCREW 3/8-16 X 1" | 4 |
| | | | | | NMS0000376 | WELD NUT NC 3/8 | 4 |

TWINE FINGER DRIVE ASSEMBLY

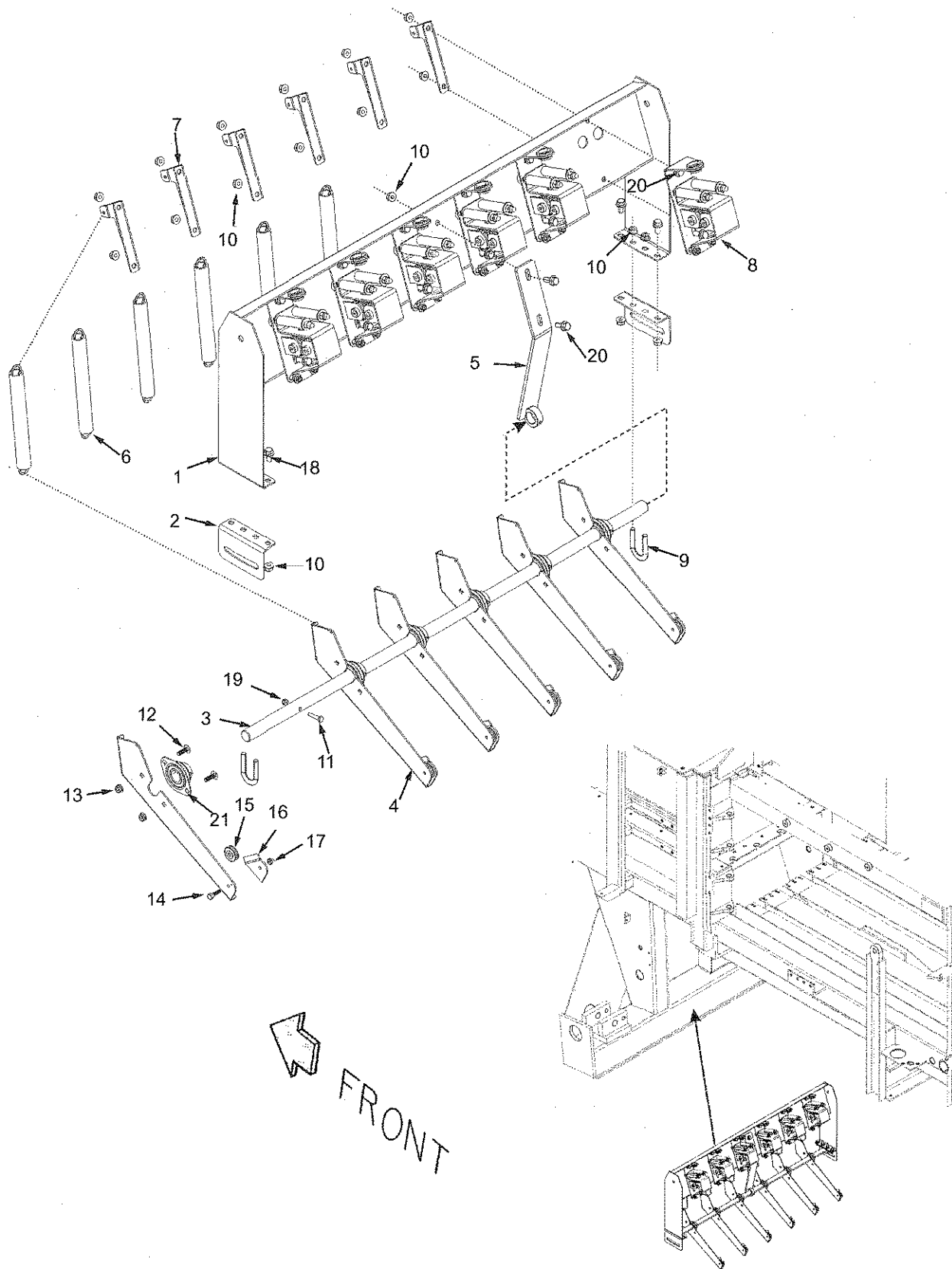


FRM036504E TF-1

TWINE FINGER DRIVE ASSEMBLY

| REF NO. | PART NO. | DESCRIPTION | QTY. USED |
|------------|-------------|-----------------------------------|--------------|
| 1 | SHF036372D | DRIVE SHAFT;*C; 1592D | 1 |
| 2 | F000001517 | TRIP SPRING | 1 |
| 3 | R13811016 | CAPSCREW; 5/16 NC X 1 1/2 | 7 |
| 4 | 223428 | WASHER, FLAT; 5/16 ZC | 1 |
| 5 | 00273802 | NUT, SERRATED; 5/16 NC | 4 |
| 6 | MNT036396B | TWINE FINGER SHAFT BRG MNT | 2 |
| 7 | CRB3130100 | CARRIAGE BOLT NC 5/16 X 1 | 4 |
| 8 | BRG0000012 | BEARING, TWINE FINGER SHAFT | 2 |
| 9 | ZZ00002004 | SET COLLAR 1-1/2" STEEL | 2 |
| 10 | KNT037142B | DBL KNOT TWINE FINGER-MACHINED | 6 |
| 11 | CRB3750100 | CARRIAGE BOLT 3/8-16 X 1 -PLATED | 6 |
| 12 | F000008144 | TWINE FINGER BUSHING NUT | 6 |
| 13 | R13811444 | WASHER, FLAT; 5/16 (.359 ID) ZY | 36 |
| 14 | WIS0003125 | INTERNAL STAR WASHER 5/16 PLTD | 6 |
| 15 | SFC0020002 | HEX CAP SCREW 5/16 X 1 NF PLTD | 6 |
| 16 | BRG0001301 | ROD END BRG 5/16 RH FEMALE | 6 |
| 17 | NFH0003125 | HEX NUT NF 5/16 | 6 |
| 18 | ROD037018B | TWINE FINGER DRIVE ROD | 6 |
| 19 | NFL0003125 | LH JAM NUT NF 5/16 - PLATED | 6 |
| 20 | BRG0001300 | ROD END BEARING 5/16 BORE, LH | 6 |
| 21 | NMS0005000 | WHIZ NUT NF 1/2 | 6 |
| 22 | 900912 | TWINE FINGER SHEAR LEVER | 6 |
| 23 | NCE0000313 | ESNA NUT NC 5/16 - PLATED | 6 |
| 24 | NCE0000375 | ESNA NUT NC 3/8 - PLATED | 6 |
| 25 | SCC0020003 | HEX HEAD CS NC 5/16 X 1-1/4 | 1 |
| 26 | SCC0030008 | HEX HEAD CAP SCREW 3/8-16 X 2-1/2 | 1 |
| 27 | BRGCRSBC20 | 1-1/4"STUD CAM FOLLOWER | 1 |
| 28 | WAS0000104 | STRUCTURAL WASHER 1/2 | 2 |

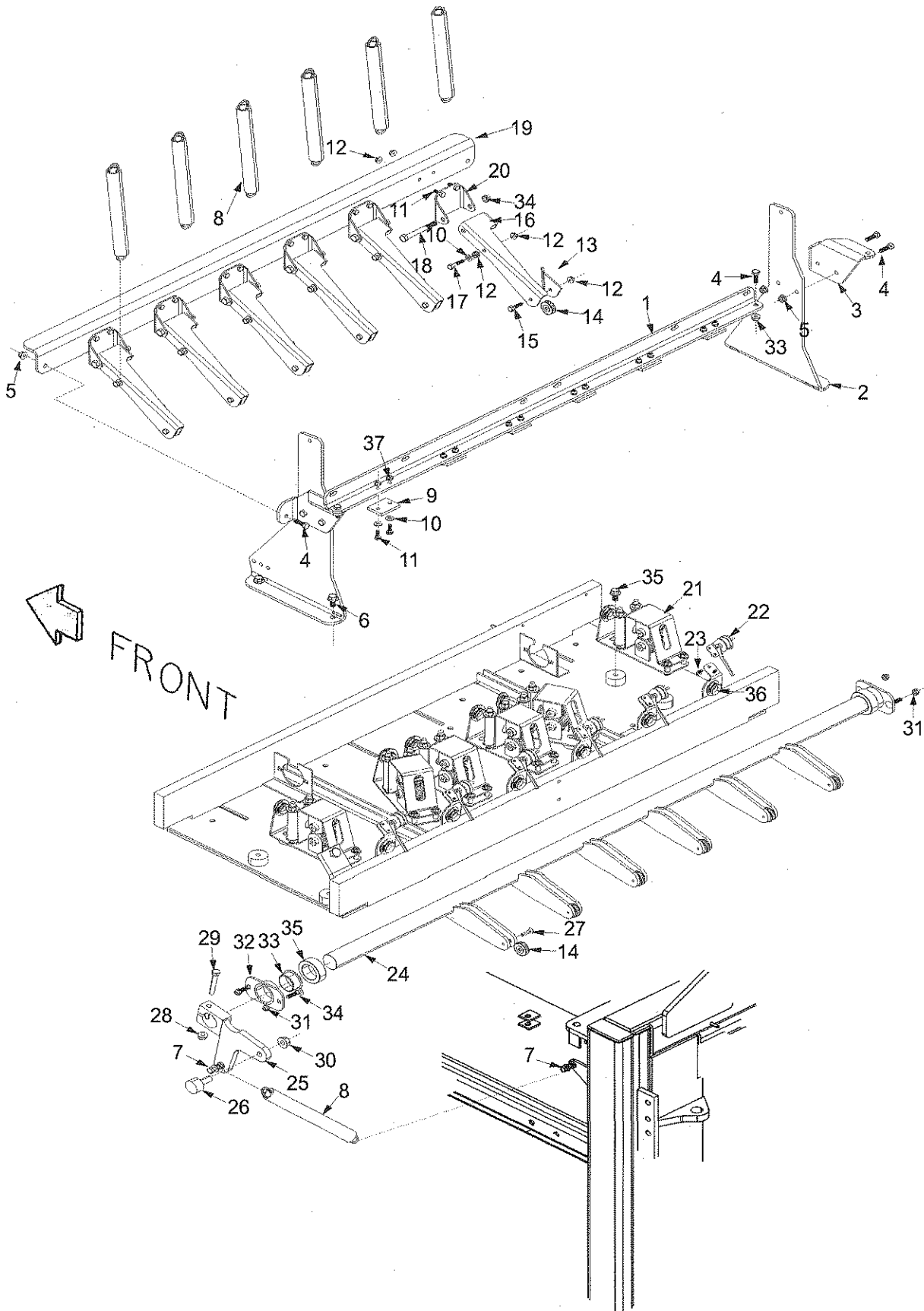
TWINE TENSION ASSEMBLY (BOTTOM)



TWINE TENSION ASSEMBLY (BOTTOM)

| REF NO. | PART NO. | DESCRIPTION | QTY. USED |
|---------|------------|----------------------------------|-----------|
| 1 | MNT036444E | LOWER SLACK PULLER UPPER MNT | 1 |
| 2 | DRW036447D | LOWER SLACK PULLER MOUNT | 2 |
| 3 | SHF036448B | BOTTOM SLACK PULLER SHAFT | 1 |
| 4 | KNT037069D | BOTTOM SLACK PULLER | 6 |
| 5 | SUP036464B | BTM SLACK PULLER SHFT SUP BKT | 1 |
| 6 | F000001517 | TRIP SPRING | 6 |
| 7 | MNT036449B | BTM SLACK PULLER SPRING MNT | 6 |
| 8 | TNS0035148 | TWINE ROLLER TENSIONER ASSY | 6 |
| 9 | UBL1375225 | U-BOLT 3/8-16 | 8 |
| 10 | NMS0000375 | WHIZ NUT NC 3/8 - PLATED | 2 |
| 11 | SCC0010005 | HEX HD CS NC 1/4 X 1-3/4 | 6 |
| 12 | CRB3130075 | 5/16X 3/4 CARRIAGE BOLT-PLTD | 12 |
| 13 | NMS0000117 | 5/16" NC WHIZ NUT - PLATED | 12 |
| 14 | SCC0010002 | HEX HD CS 1/4-20 X 1 | 6 |
| 15 | PUL0000001 | PULLEY 1.25 OD X .25 BORE | 6 |
| 16 | KNT037070A | BOTTOM SLACK PULLER SIDE | 6 |
| 17 | NMS0000250 | WHIZ NUT 1/4-20 | 6 |
| 18 | SMS0000181 | WHIZ BOLT 3/8 X 3/4 NC | 4 |
| 19 | NCE0000250 | ESNA NUT NC 1/4" | 6 |
| 20 | 174413W | SCREW, SER FLG 3/8-16 UNC X 1.00 | 2 |
| 21 | BRG4164PP2 | BEARING 1"BORE | 6 |

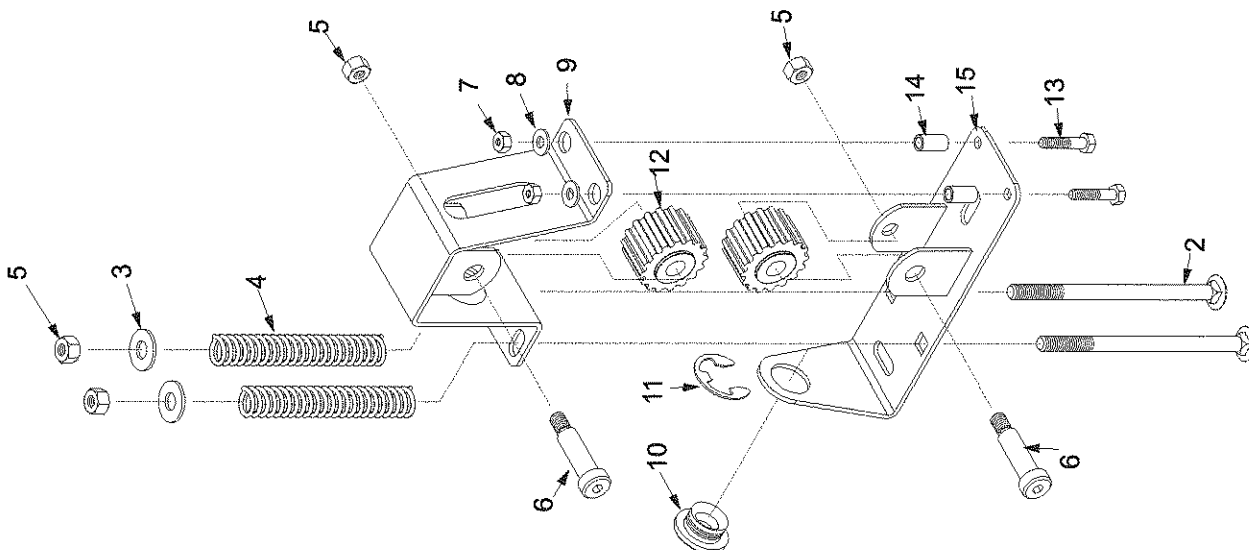
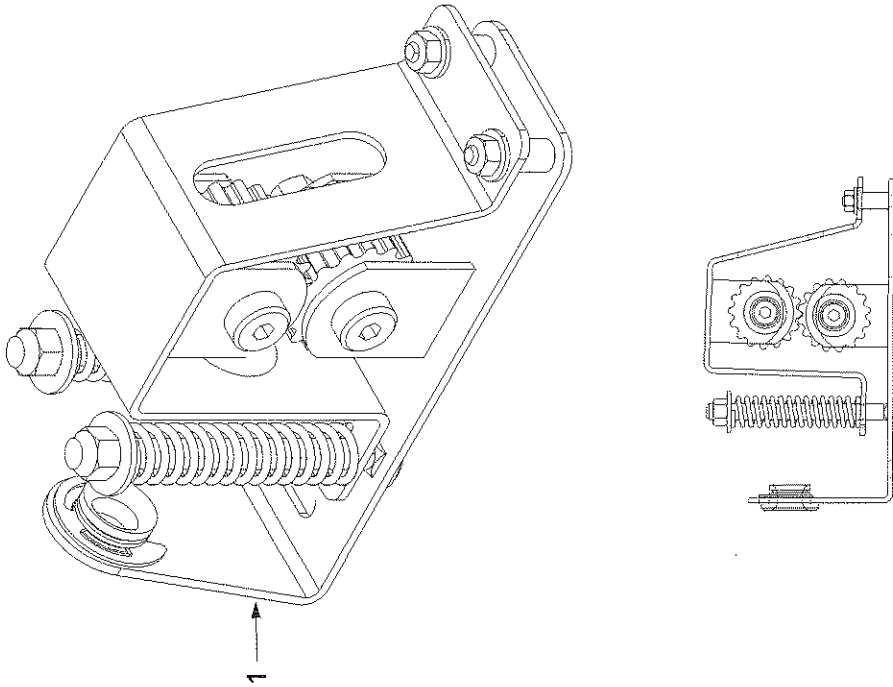
TWINE TENSION ASSEMBLY (TOP)



TWINE TENSION ASSEMBLY (TOP)

| REF NO. | PART NO. | DESCRIPTION | QTY. USED | REF NO. | PART NO. | DESCRIPTION | QTY. USED |
|---------|------------|--------------------------------|-----------|---------|------------|-----------------------------------|-----------|
| 1 | BKT036749D | DOUBLE KNOTTER LUBER BRKT | 1 | 21 | TNS0035148 | TWINE ROLLER TENSIONER ASSY | 6 |
| 2 | MNT036747D | RIGHT SLACK PULLER MOUNT | 1 | 22 | F000000946 | WIRE ALARM SWITCH F/ELC21608 | 6 |
| | MNT036746D | LEFT SLACK PULLER MOUNT- | 1 | 23 | SMR1032038 | RND HD MS 10-32 X 3/8 | 12 |
| 3 | MNT036745B | RIGHT LUBER MOUNT BRACKET | 1 | 24 | SHF036390D | TWINE TUCKER - | 1 |
| | MNT036744B | LEFT LUBER MOUNT BRACKET- | 1 | 25 | LEV036393B | TWINE TUCKER FOLLOWER LEVER | 1 |
| 4 | SCC0020002 | HEX HEAD CAP SCREW 5/16-18 X 1 | 8 | 26 | BRGCRSBC20 | 1-1/4"STUD CAM FOLLOWER | 1 |
| 5 | NMS0000117 | WHIZ NUT 5/16-18 | 6 | 27 | SCO0000102 | FLAT HD SOC CS NC 1/4 X 1 | 6 |
| 6 | SMS0000181 | WHIZ BOLT 3/8 X 3/4 NC | 4 | 28 | NMS0000375 | WHIZ NUT NC 3/8 - PLATED | 1 |
| 7 | SCC0020004 | HEX HD CS NC 5/16 X 1-1/2 | 2 | 29 | SCC0030008 | HEX HEAD CAP SCREW 3/8-16 X 2-1/2 | 1 |
| | WCT0000313 | FLAT WASHER 5/16 | 4 | 30 | NFH0000500 | HEX NUT NF 1/2 - PLATED | 1 |
| | NMS0000117 | WHIZ NUT 5/16-18 | 2 | 31 | NCE0000313 | ESNA NUT NC 5/16 - PLATED | 4 |
| 8 | F000001517 | SPRING (TWINE FINGER) | 7 | 32 | MNT036396B | TWNE FINGER SHAFT BRG MNT | 2 |
| 9 | PAD0025218 | PAD W/ HOLES FOR | 6 | 33 | BRG0000012 | BEARING, TWINE FINGER SHAFT | 2 |
| 10 | WCT0000250 | FLAT WASHER 1/4 | 12 | 34 | CRB3130100 | CARRIAGE BOLT NC 5/16 X 1 -PLATED | 4 |
| 11 | SCC0010001 | HEX CAP SCREW,1/4-20 X 3/4 | 24 | 35 | ZZ00002004 | SET COLLAR 1-1/2" STEEL | 2 |
| 12 | NMS0000250 | WHIZ NUT 1/4-20 - PLATED | 30 | 36 | F000000856 | TWINE & WIRE GUIDE BUSHING | 6 |
| 13 | KNT036432B | TOP SLACK PULLER SIDE | 6 | | F000000857 | SNAP RING F/TWN GUIDE BUSHING | 6 |
| 14 | PUL0000001 | PULLEY 1.25 OD X .25 BORE | 12 | 37 | NCE0000250 | ESNA NUT NC 1/4" - PLATED | 12 |
| 15 | SCC0010002 | HEX HD CS 1/4-20 X 1 | 6 | | | | |
| 16 | KNT036431D | TOP SLACK PULLER | 6 | | | | |
| 17 | SCC0010003 | HEX CAP SCREW 1/4-20 X 1-1/4 | 6 | | | | |
| 18 | SCC0030013 | HEX HD CS NC 3/8 X 3-3/4 | 6 | | | | |
| 19 | MNT036433E | TOP SLACK PULLER MOUNT | 1 | | | | |
| 20 | BKT036434B | TOP SLACK PULLER BRACKET | 6 | | | | |

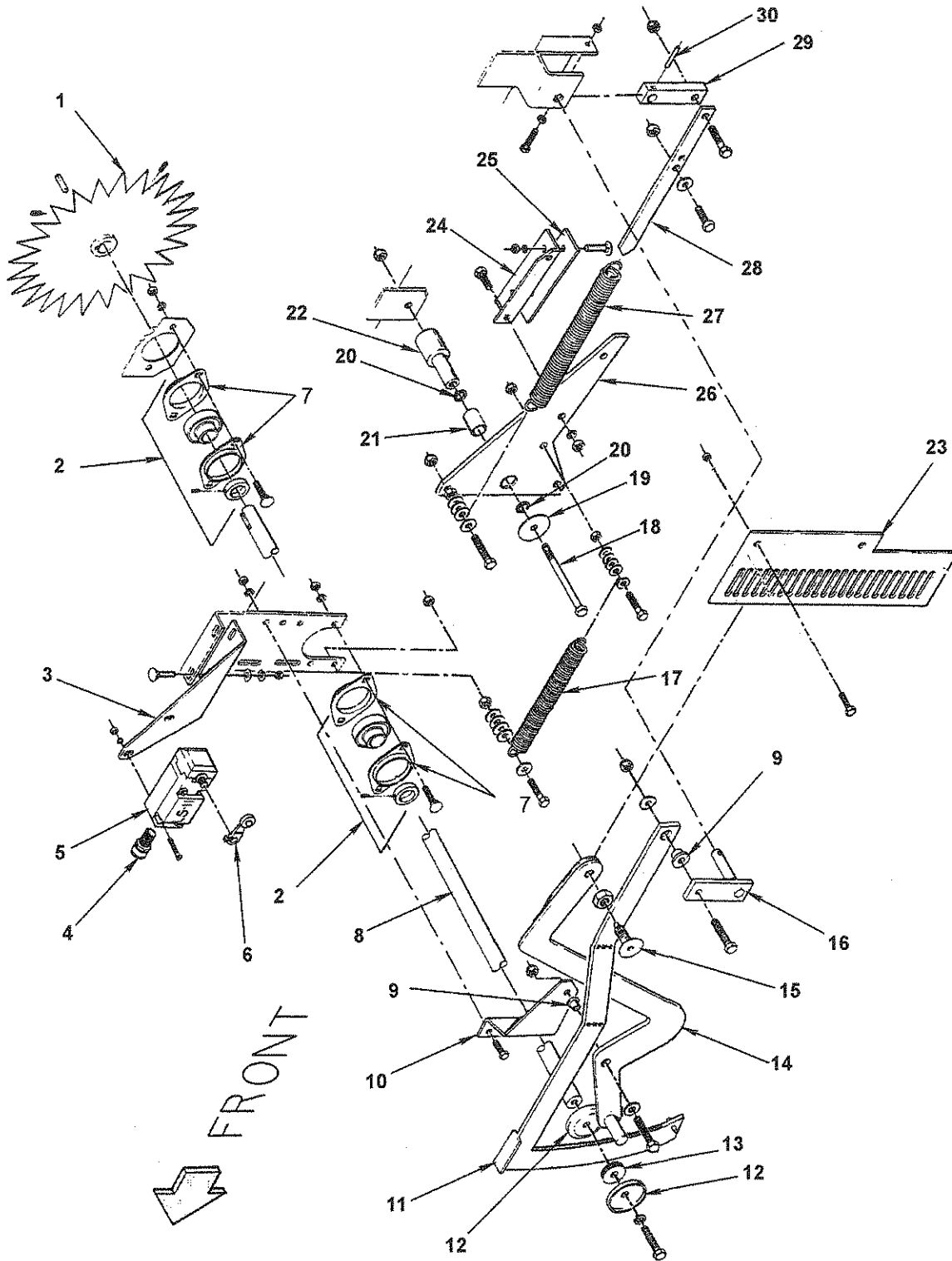
TWINE TENSIONER ASSEMBLY



TWINE TENSIONER ASSEMBLY

| REF NO. | PART NO. | DESCRIPTION | QTY. USED |
|------------|-------------|----------------------------------|--------------|
| 1 | TNS0035148 | TWINE ROLLER TENSIONER ASSY | 1 |
| 2 | CRB3750400 | CARRIAGE BOLT 3/8 X 4 NC | 2 |
| 3 | WCT0000375 | FLAT WASHER 3/8 USS - PLATED | 2 |
| 4 | SPG0750350 | COMPRESSION SPRING F/ 1600 | 2 |
| 5 | NCE0000375 | ESNA NUT 3/8-16 PLATED | 4 |
| 6 | SMS5001500 | 1/2" X 1-1/2" SHOULDER BOLT - ZP | 2 |
| 7 | NCH0000250 | HEX NUT NC 1/4 - PLATED | 2 |
| 8 | WCT0000250 | FLAT WASHER 1/4 - PLATED | 2 |
| 9 | FRM0035141 | UPPER TWINE TENS FRAME ASSY | 1 |
| 10 | F00000856 | TWINE & WIRE GUIDE BUSHING | 2 |
| 11 | F00000857 | SNAP RING F/TWN GUIDE BUSHING | 1 |
| 12 | ROL0035138 | TWINE TENSIONER ROLLER | 2 |
| 13 | SCC0010003 | HEX CAP SCREW 1/4-20 X 1-1/4 | 2 |
| 14 | SPC0035139 | TWINE TENSIONER SPACER | 2 |
| 15 | FRM0035143 | LOWER TWINE TENS FRAME ASY | 1 |

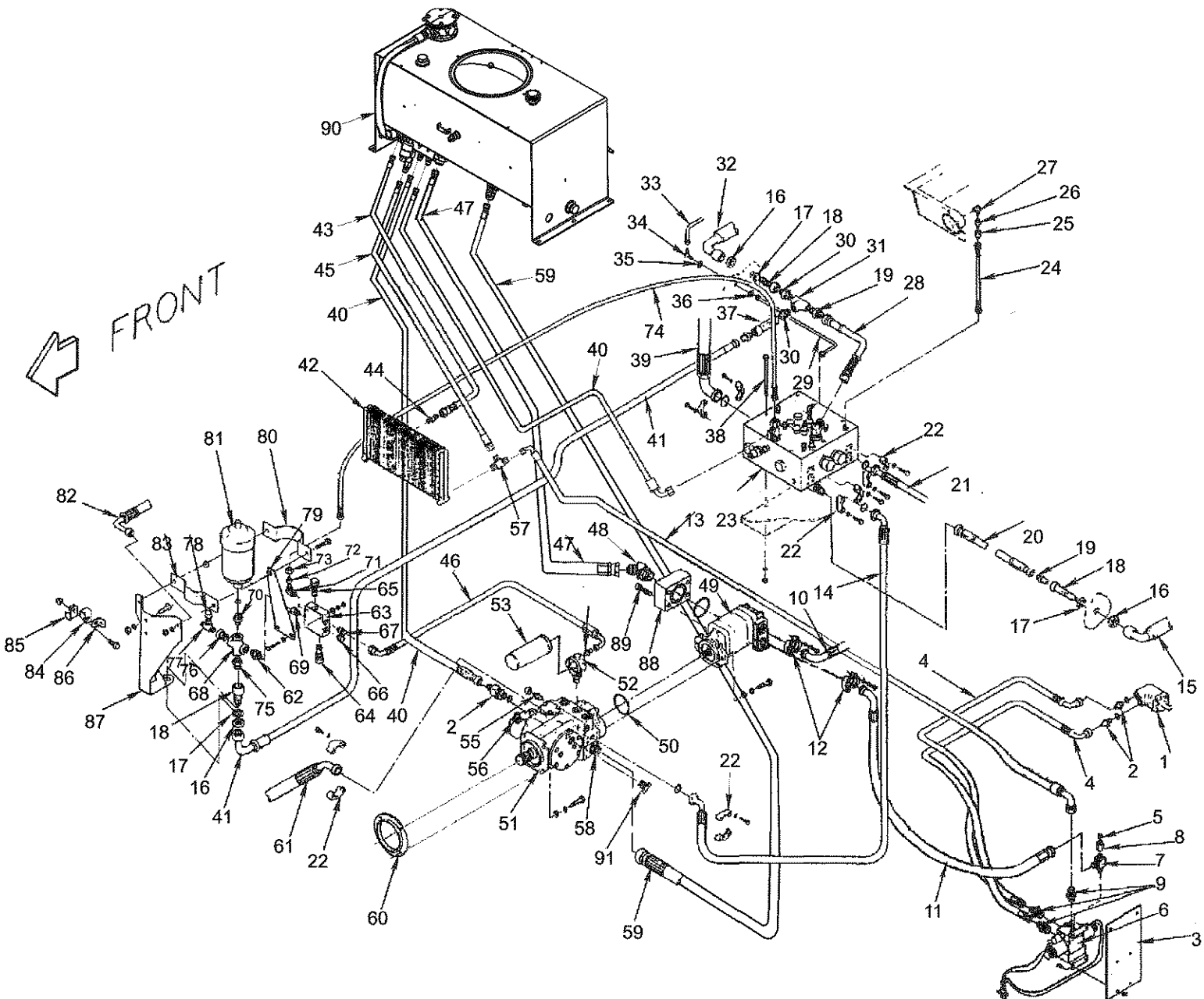
BALE LENGTH ADJUSTMENT MECHANISM ASSEMBLY



BALE LENGTH ADJUSTMENT MECHANISM ASSEMBLY

| REF NO. | PART NO. | DESCRIPTION | QTY. USED | REF NO. | PART NO. | DESCRIPTION | QTY. USED |
|---------|------------|-------------------------------------|-----------|---------|-------------|-------------------------------------|-----------|
| 1 | KNT0024098 | METER WHEEL ASSEMBLY | 1 | 17 | F 0000747 | SQ. TIP RON RETURN SPRING | 1 |
| | ZZ 0000404 | 3/16 X 3/16 X 1-1/2 KEY | 1 | | NCH0000313 | NUT 5/16-18 HEX | 2 |
| | STS2500313 | SETSCREW 1/4-20 X 5/16 SOC. HD | 2 | | SCC0020004 | BOLT 5/16-18 X 1-1/2 GRD 5 PLTD | 2 |
| 2 | F 0001618 | BEARING-METER WHEEL SHAFT | 2 | | WCT0000313 | FLAT WASHER 5/16 PLTD | 8 |
| | NCH0000313 | NUT 5/16-18 HEX | 4 | | NCE0000313 | NUT 5/16-18 ESNA LOCK | 2 |
| | WLK0000313 | LOCKWASHER 5/16 MEDIUM PLTD | 4 | 18 | SCC0030015 | BOLT 3/8-18 X 4-1/2 GRD 5 PLTD | 1 |
| | CRB7313100 | CARRIG BOLT 5/16-18 X 1" GRD 5 PLTD | 4 | 19 | F 0000246 | KNOTTER BRAKE DISC WASHER | 1 |
| 3 | BKT0024068 | BRACKET-KNOTTER TRIP SWITCH | 1 | 20 | F 0007587 | ANCHOR SEAL | 2 |
| | CRB7313100 | CARRIG BOLT 5/16-18 X 1" GRD 5 PLTD | 2 | 21 | F 0007586 | BUSHING | 1 |
| | NCH0000313 | NUT 5/16-18 HEX | 2 | 22 | SLV0015542 | KNOTTER TRIP PIVOT BOLT SLEEVE | 1 |
| | WLK0000313 | LOCKWASHER 5/16 MEDIUM PLTD | 2 | | NCE0000375 | NUT 3/8-18 ESNA LOCK PLTD | 1 |
| | WCT0000313 | FLAT WASHER 5/16 PLTD | 2 | 23 | PLT0022880 | ADJUSTMENT PIN PLATE | 1 |
| 4 | CNR0000195 | 1/2 NPT CORD STRAIN RELIEF | 1 | | SCC0020002 | BOLT 5/16-18 X 1" GRD 5 PLTD | 2 |
| 5 | SWI0005081 | LIMIT SWITCH 8 POSITION | 1 | | NMS0000117 | NUT 5/16-18 FLG WHIZ | 2 |
| | NFH0001032 | HEX NUT 10-32NF PLTD | 2 | 24 | MNT037071B | KNOTTER TRIP WEAR LINER MNT | 1 |
| | SMR1032150 | MACH. SCR 10-32 X 1-1/2 RND HD PLTD | 2 | 25 | LIN0017159 | RESET LEVER WEAR LINER | 1 |
| | WLK0000100 | LOCKWASHER #10 PLTD | 2 | | CRB7313100 | CARRIG BOLT 5/16-18 X 1" GRD 5 PLTD | 2 |
| 6 | ARM0005001 | 1-1/2 LEVER ARM W/3/4 ROLLER | 1 | | NCH0000313 | NUT 5/16-18 HEX | 2 |
| 7 | F 0001889 | FLANGETTE BEARING | 4 | | WLK0000313 | LOCKWASHER 5/16 MEDIUM PLTD | 2 |
| 8 | SHF0015527 | SHAFT-METER WHEEL | 1 | 26 | LEV0015533 | KNOTTER TRIP RESET LEVER | 1 |
| 9 | F 0000440 | FERRULE | 2 | | WLK0000375 | LOCKWASHER 3/8 MEDIUM PLTD | 2 |
| | NCE0000375 | NUT 3/8-18 ESNA LOCK PLTD | 2 | | NCH0000375 | NUT 3/8-18 HEX PLTD | 3 |
| | SCC0030003 | BOLT 3/8-18 X 1-1/4 GRD 5 PLTD | 2 | | SCC0030002 | BOLT 3/8-18 X 1" GRD 5 PLTD | 2 |
| | WCT0000375 | FLAT WASHER 3/8 PLTD | 2 | | SCC0030004 | BOLT 3/8-18 X 1-1/2 GRD 5 PLTD | 2 |
| 10 | MNT0022342 | ADJUSTMENT BAR MOUNT | 1 | | NCE0000375 | NUT 3/8-18 ESNA LOCK PLTD | 1 |
| | SCC0020002 | BOLT 5/16-18 X 1" GRD 5 PLTD | 2 | | WCT0000375 | FLAT WASHER 3/8 PLTD | 5 |
| | NCH0000313 | NUT 5/16-18 HEX | 2 | 27 | F 0001517 | TRIP SPRING | 1 |
| | WLK0000313 | LOCKWASHER 5/16 MEDIUM PLTD | 2 | 28 | LNK0015541 | KNOTTER TRIP SPRING LINK | 1 |
| 11 | KNT0031232 | KNOTTER TRIP METER BAR | 1 | | SCC0030002 | BOLT 3/8-18 X 1" GRD 5 PLTD | 1 |
| 12 | F 0008023 | GUIDE WASHER | 2 | | NCE0000375 | NUT 3/8-18 ESNA LOCK PLTD | 1 |
| 13 | KNT0020500 | KNOTTER TRIP FRICTION DISC | 1 | | WCT0000375 | FLAT WASHER 3/8 PLTD | 1 |
| | WLK0000375 | LOCKWASHER 3/8 MEDIUM PLTD | 1 | 29 | LEV0015537 | KNOTTER TRIP SPRING LEVER | 1 |
| | SCC0030005 | BOLT 3/8-18 X 1-3/4 GRD 5 PLTD | 1 | | NMS00000250 | LOCK NUT 1/4-20 FLG WHIZ | 2 |
| 14 | BAR0025880 | KNOTTER TRIP ADJ. BAR ASSY | 1 | | SCC0010004 | BOLT 1/4-20 X 1-12/ FULL THD GRD 5 | 1 |
| 15 | PIN00FHR44 | PLUNGER SPRING PIN | 1 | | SCC0030003 | BOLT 3/8-18 X 1-1/4 GRD 5 PLTD | 1 |
| | NCJ0000500 | JAM NUT 1/2-13 PLTD | 1 | | NCE0000375 | NUT 3/8-18 ESNA LOCK PLTD | 1 |
| 16 | LEV0015534 | KNOTTER TRIP METER BAR LEVER | 1 | 30 | ZZ 0000726 | EXPANSION PIN 3/16 X 1 | 1 |

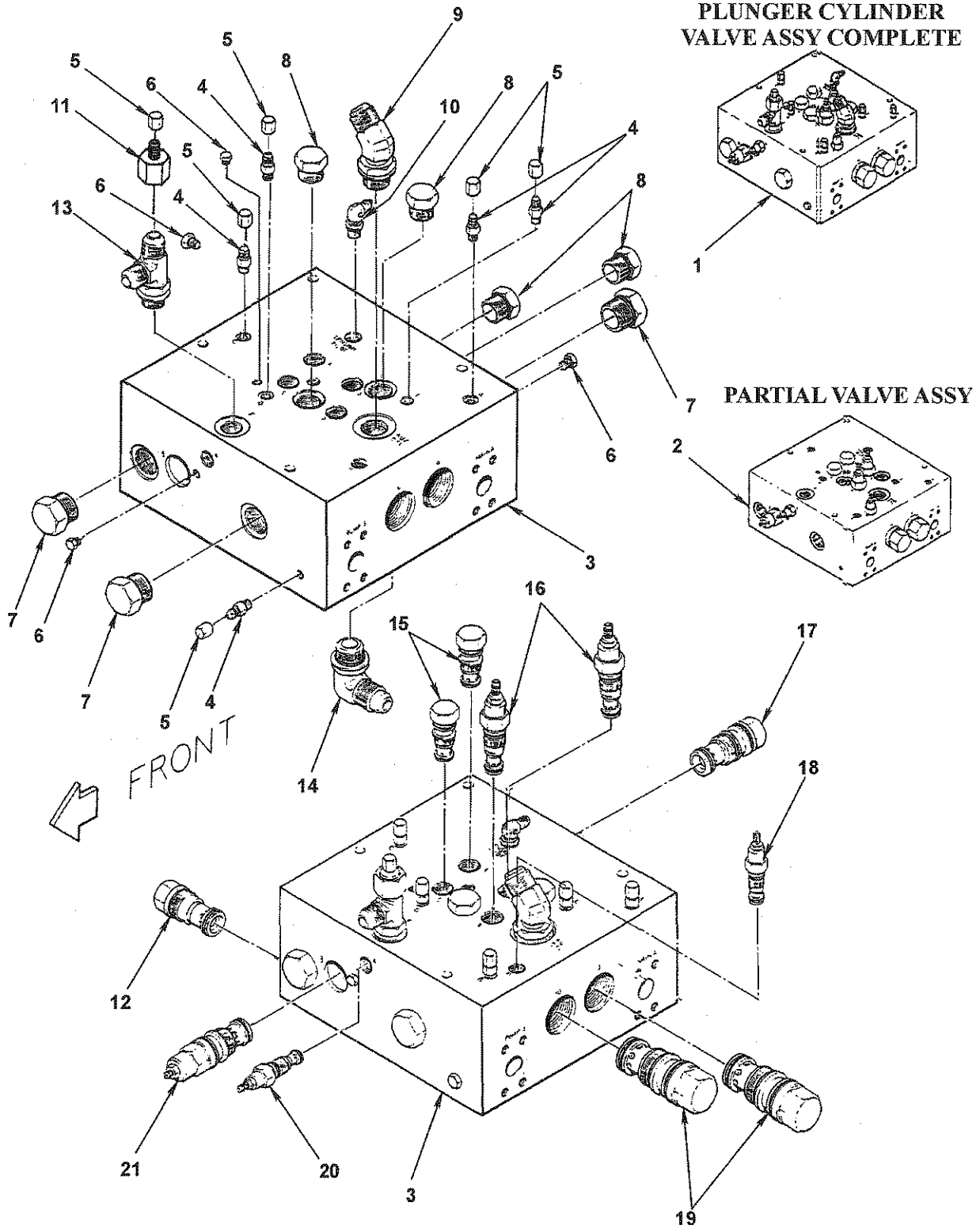
MAIN SYSTEM HYDRAULICS ASSEMBLY



MAIN SYSTEM HYDRAULICS ASSEMBLY

| REF NO. | PART NO. | DESCRIPTION | QTY. USED | REF NO. | PART NO. | DESCRIPTION | QTY. USED |
|---------|------------|------------------------------------|-----------|---------|------------|--------------------------------------|-----------|
| 1 | MTR1091104 | MOTOR 40000 HP | 1 | 47 | HOS0035162 | HOSE- PUMP SUCTION | 1 |
| | SEL0061236 | FRONT SEAL KIT | A/R | 48 | HYD5365051 | ELB 1-1/2 JIC X 1-1/2 O-RING 45 DEG. | 1 |
| | SEL0061234 | REAR SEAL KIT | A/R | 49 | PMP3301972 | DUAL PUMP, MAIN | 1 |
| 2 | HYD5315060 | CONN. 3/4 JIC X 3/4 O-RING STR THD | 2 | | SEL0600652 | SEAL KIT | A/R |
| 3 | MNT0505622 | MOUNT-SOLENOID VALVE | 1 | 50 | RNG0000045 | O-RING- MECHANICAL DRIVE PUMP | 1 |
| 4 | HOS036689A | FEEDER VLV TO FEEDER MOTOR HOSE | 1 | 51 | PMP0000090 | PUMP-SERIES 90 | 1 |
| 5 | HYD5129020 | 1/4" JIC CAP | 1 | 52 | FIL8800200 | FILTER MANIFOLD | 1 |
| 6 | VLV0000062 | SOLENOID VALVE 4 WAY 3 POS 12VDC | 1 | 53 | FIL0164056 | FILTER FOR PUMP | 1 |
| | VLV0000034 | RELIEF VLV CART,53GPM,6000 PSI | 1 | 54 | HYD5315043 | CONN. 1/2 JIC X 3/8 O-RING STR THD | 1 |
| | VLV0000035 | VALVE SUBPLATE, | 1 | 55 | HYD5315023 | CONN. 1/4 JIC X 3/8 O-RING STR THD | 1 |
| 7 | HYD5706060 | 3/4" JIC SWIVEL RUN TEE | 1 | 56 | PMP1111002 | PUMP CONTROLLER | 1 |
| 8 | HYD5015062 | 3/4 TO 1/4 JIC TUBE REDUCER | 1 | 57 | HYD5716060 | RUN TEE 3/4 JIC X 3/4 MALE | 2 |
| 9 | HYD5315060 | 3/4 JIC X 3/4 O-RNG ST THD CONN | 4 | 58 | HYD5315121 | CONN. 1-1/2 JIC X 1-1/4 O-RING | 1 |
| 10 | HOS0032166 | FEEDER MANIFOLD PRESSURE HOSE | 1 | 59 | HOS0023488 | HOSE-PUMP SUCTION | 1 |
| 11 | HOS0032167 | HOSE PMP-FDR VLV PRESSURE PORT | 1 | 60 | DPT0018751 | PUMP PILOT ADAPTER | 1 |
| 12 | FLG0001501 | FLANGE KIT | 2 | 61 | HOS0015874 | HOSE-PLUNGER CYLINDER | 1 |
| 13 | HOS0016649 | HOSE-RETURN FEEDER VALVE | 1 | 62 | 17951 | NIPPLE 3/4 X 1/2 NPT STEEL HEX | 1 |
| 14 | HOS0024980 | HOSE-PRESSURE RETRACE | 1 | 63 | VLV1312YCF | DUMP VALVE | 1 |
| 15 | HOS0023451 | HOSE-LH MAKE UP CYLINDER BASE | 1 | 64 | VLVCFAXCN | RELIEF VALVE | 1 |
| 16 | HYD5924080 | BULKHEAD NUT 1" | 3 | 65 | VLVCOFAXAN | RELIEF VALVE | 1 |
| 17 | WIS0012500 | WASHER 1-5/16 INTERNAL STAR PLTD | 3 | 66 | 229345 | PLUG 1/2 O-RING HEX HD PLTD | 1 |
| 18 | HYD5275080 | CONN. 1" JIC X 1" NPT FML BULKHEAD | 3 | 67 | 209805 | CONN. 1/2 JIC X 1/2 O-RING STR THD | 1 |
| 19 | HYD5205070 | CONN. 1" JIC X 1" NPT MALE | 3 | 68 | HYD3959060 | CROSS 3/4 STEEL PIPE | 1 |
| 20 | HOS0024984 | HOSE-LEFT MAKE UP CYLINDER 54" | 1 | 69 | HYD3269044 | ADAPTER 1/2 O-RING X 1/2 NPT FMLE | 1 |
| 21 | HOS0024887 | HOSE-PLUNGER CYLINDER | 1 | 70 | HYD3249060 | ADAPTER 3/4 O-RING X 3/4 NPT MLE | 1 |
| 22 | FLG0001501 | 1" SPLIT FLG W/O RING & BOLT KIT | 5 | 71 | 209488 | ELBOW 1/2 JIC X 1/2 O-RING 90 DEG. | 1 |
| 23 | VLV0013120 | PLUNGER CYL. VALVE ASSY COMP. | 1 | 72 | 218584 | REDUCER 1/2 JIC X 1/4 JIC | 1 |
| 24 | HOS0028188 | HOSE-CONTR. VLV TO 10 PRES GAUGE | 1 | 73 | 212763 | NUT3/8 JIC | 1 |
| 25 | HYD5255022 | CONN. 1/4 JIC X 1/4 NPT FMLE | 1 | 74 | HOS0022137 | HOSE-CONTRL VALVE TO DUMP VALVE | 1 |
| 26 | HYD0010000 | PULSATION DAMPENER F/23350 | 1 | 75 | 21205 | NIPPLE 1 NPT X 3/4 NPT STEEL HEX | 1 |
| 27 | HYD3409020 | STREET ELBOW 1/4 X 90 DEG. | 1 | 76 | 209506 | BUSHING 3/4 NPT X 1/2 NPT STEEL | 1 |
| 28 | HOS0024973 | HOSE-PLUNGER VALVE | 1 | 77 | HYD5755444 | RUN TEE 1/2 JIC X 1/2 NPT MALE | 1 |
| 29 | TBE0024975 | TUBE-PLUNGER VLV-BULKHEAD | 1 | 78 | 215515 | CAP 1/2 JIC | 1 |
| 30 | HYD3069070 | BUSHING 1" NPT HEX STEEL | 2 | 79 | BKT0024954 | ACCUM. DUMP VALVE BRACKET | 1 |
| 31 | HYD3709070 | PIPE TEE 1" FEMALE STEEL | 1 | 80 | CLP0022217 | ACCUMULATOR CLIP 1/2 GREER | 1 |
| 32 | HOS0023452 | HOSE-RIGHT MAKE UP CYLINDER | 1 | 81 | ACM0800087 | ACCUMULATOR 1 GAL CHARGED | 1 |
| 33 | TBE0023719 | TUBE-FRONT TENSION PILOT | 1 | 82 | HOS0016624 | HOSE-VALVE MANIFOLD PILOT | 1 |
| 34 | HYD5525030 | ELB 3/8" JIC X 90 DEG. BLKHD UNION | 1 | 83 | CLP0022216 | ACCUMULATOR CLIP 1/2 GREER | 1 |
| 35 | WIS0005625 | WASHER 9/16 INTERNAL STAR PLTD | 1 | 84 | CLP7701164 | 1-1/4 INSULATED HOSE CLAMP | 1 |
| 36 | HYD5924030 | BULKHEAD NUT 3/8 | 1 | 85 | CLP7701163 | 1" INSULATED HOSE CLAMP | 1 |
| 37 | VLV0000453 | CHECK VALVE | 1 | 86 | BKT0023472 | HOSE SUPPORT BRCKT TENS CONTRL. | 1 |
| 38 | SCC0030020 | BOLT 3/8 NE X 7 GRD 5 HEX PLTD | 4 | 87 | MNT0015856 | ACCUMULATOR MOUNT | 1 |
| 39 | HOS0024889 | HOSE-PLUNGER CYLINDER ROD END | 1 | 88 | HYD0505857 | ADAPTER BLOCK | 1 |
| 40 | HOS0025040 | HOSE-PUMP CASE DRAIN-CK & RLF | 2 | 89 | HYD0505858 | BOLT KIT | 1 |
| 41 | HOS0023460 | HOSE-ACCUMULATOR DISCHARGE | 1 | 90 | 241590 | HOSE ASSY | 1 |
| 42 | CLR21133S1 | OIL COOLER | 1 | | | | |
| 43 | HOS0023435 | HOSE-FEED KNOTTER MNFLD RETURN | 1 | | | | |
| 44 | F 0006675 | CONN. 3/4" JIC X 1" NPT MALE | 2 | | | | |
| 45 | HOS036693A | HOSE-OIL COOLER BYPASS | 1 | | | | |
| 46 | HOS0020543 | HYDRAULIC HOSE | 1 | | | | |

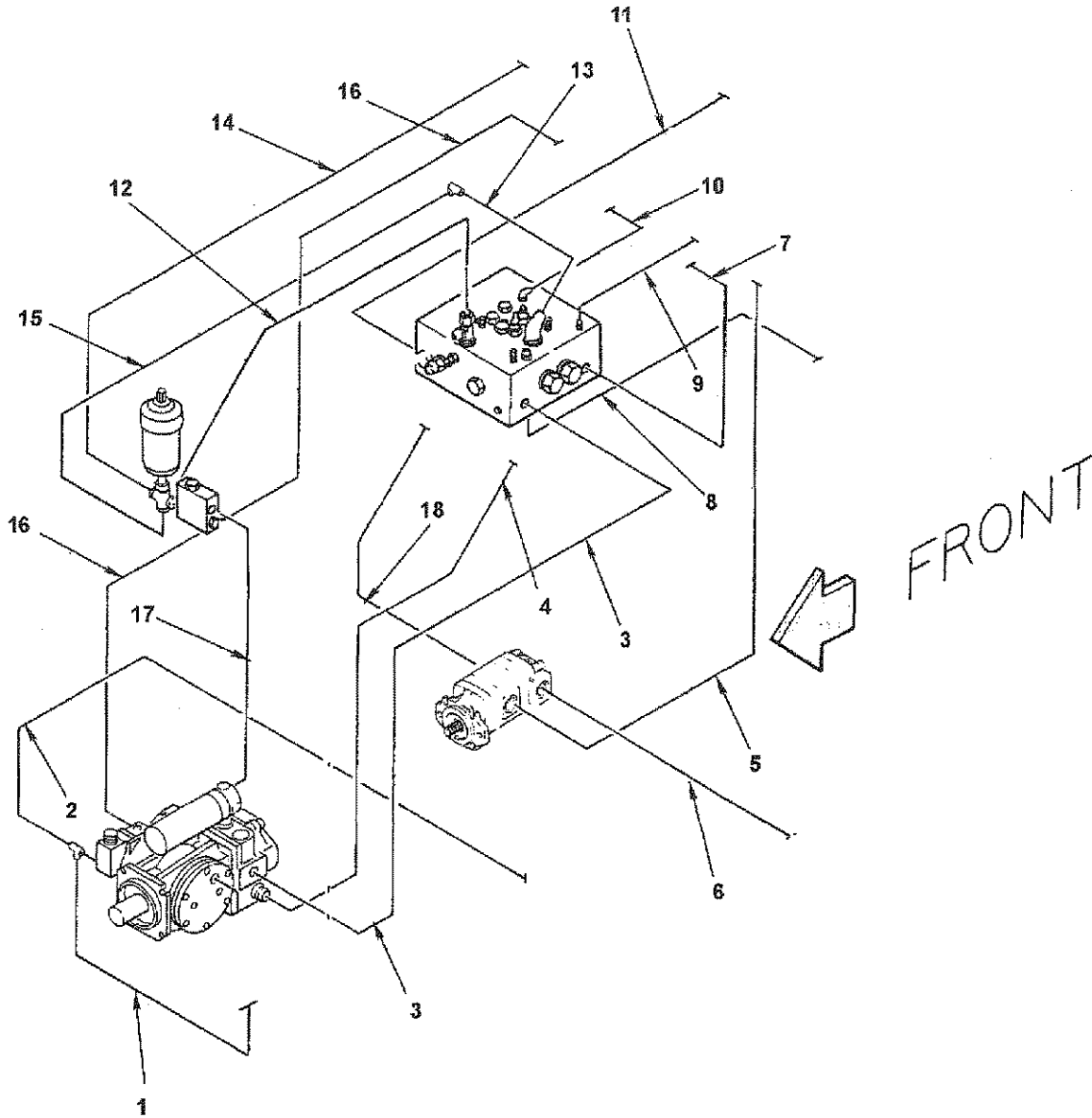
PLUNGER CYLINDER VALVE ASSEMBLY



PLUNGER CYLINDER VALVE ASSEMBLY

| REF NO. | PART NO. | DESCRIPTION | QTY. USED |
|------------|-------------|------------------------------------|--------------|
| 1 | VLV0013120 | PLUNGER CYL. VALVE ASSY COMP. | 1 |
| | KIT0013120 | SEAL KIT-PLUNGER CYL. VALVE | 1 |
| 2 | VLV0028071 | PLUNGER CYL. VALVE W/O FITTINGS | 1 |
| 3 | VLV1312000 | PLUNGER CYL. VALVE BODY | 1 |
| 4 | 209083 | CONN. 6M O-RING X 4M JIC STR | 5 |
| 5 | HYD5129020 | CAP 1/4 JIC | 6 |
| 6 | HYD7237020 | PLUG 6M | 5 |
| 7 | HYD7237080 | PLUG 16M | 3 |
| 8 | HYD7237060 | PLUG 12M | 4 |
| 9 | HYD5365080 | ELBOW 16M O-RING X 16M JIC 45 DEG. | 1 |
| 10 | HYD5515030 | ELBOW 6M JIC X 6M ADJ. 90 DEG. | 1 |
| 11 | HYD5105062 | CONN. 12F JIC X 4M JIC STR | 1 |
| 12 | VLVCXHAXCV | CHECK VALVE CARTRIDGE | 1 |
| | SEL0002006 | SEAL KIT-CHECK VALVE CARTRIDGE | 1 |
| 13 | HYD5716060 | TEE 12 JIC X 12M ADJ. STR THD | 1 |
| 14 | HYD5515070 | ELBOW 16M X 16M JIC 90 DEG. | 1 |
| 15 | VLVLKFCXDV | SUN LOGIC CARTRIDGE #5 | 2 |
| | SEL0002006 | SEAL KIT-SUN LOGIC CARTRIDGE | 2 |
| 16 | VLVRPGCLCV | RELIEF VALVE CARTRIDGE | 2 |
| | SEL0003006 | SEAL KIT-RELIEF VALVE CARTRIDGE | 2 |
| 17 | VLVCOHBXFV | PILOT CLOSE CHECK CARTRIDGE | 1 |
| | SEL0017006 | SEAL KIT-PILOT CLOSE CHECK CART. | 1 |
| 18 | VLVNCCBLV | NEEDLE VALVE CARTRIDGE | 1 |
| | SEL0010006 | SEAL KIT-NEEDLE VALVE CARTRIDGE | 1 |
| 19 | VLVLKJCXDV | LOGIC VALVE CARTRIDGE | 2 |
| | SEL0019006 | SEAL KIT-LOGIC VALVE CARTRIDGE | 2 |
| 20 | VLVRPECLQV | RELIEF VALVE CARTRIDGE | 1 |
| | SEL0010006 | SEAL KIT-RELIEF VALVE CARTRIDGE | 1 |
| 21 | VLVCBGYLHV | COUNTERBALANCE VALVE | 1 |
| | SEL0017006 | SEAL KIT-COUNTERBALANCE VALVE | 1 |

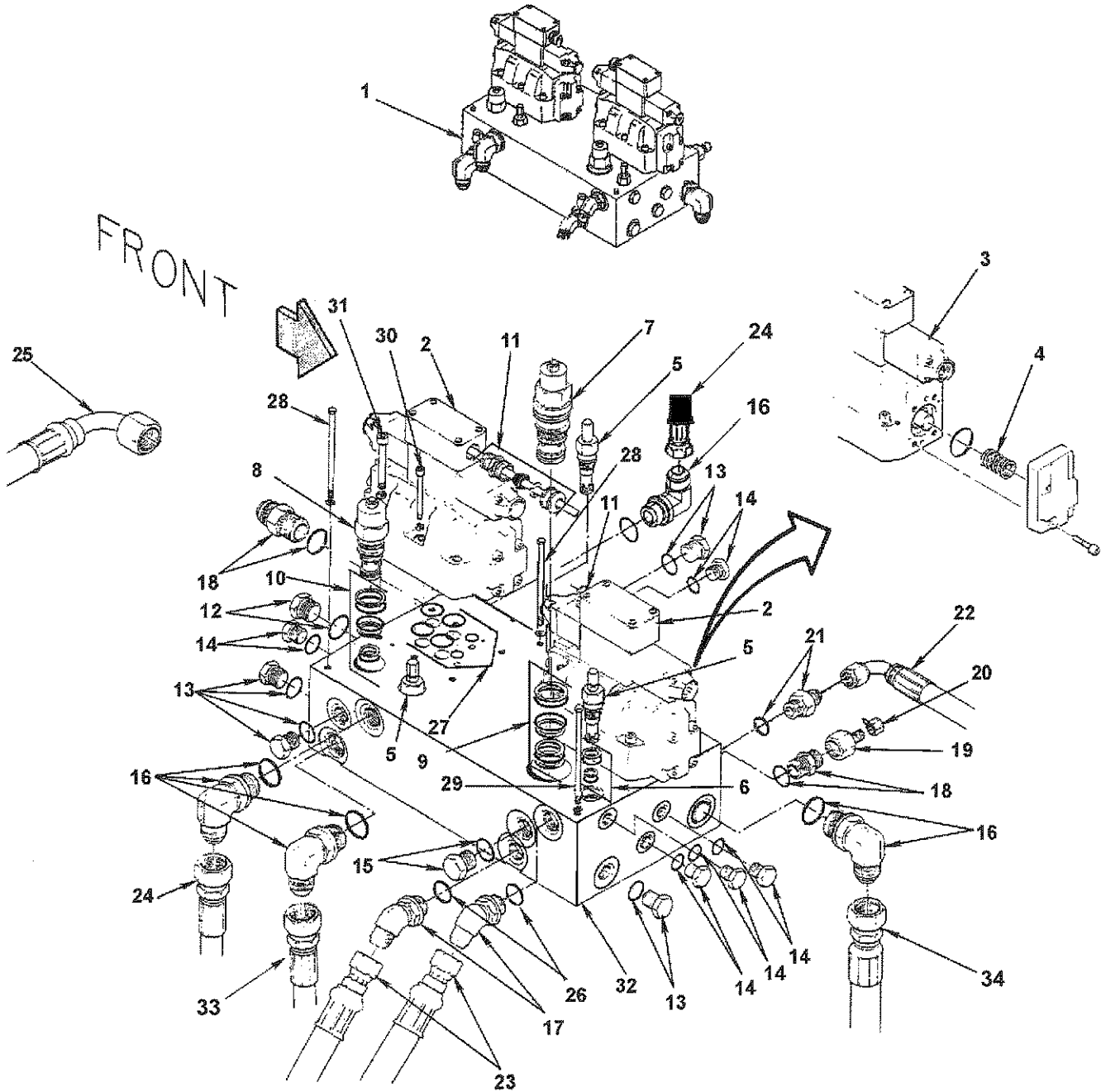
MAIN SYSTEM HOSE ASSEMBLIES



MAIN SYSTEM HOSE ASSEMBLIES

| REF NO. | PART NO. | DESCRIPTION | QTY. USED |
|------------|-------------|----------------------------------|--------------|
| 1 | HOS036693A | OIL COOLER BYPASS HOSE | 1 |
| 2 | HOS0025040 | HOSE-PUMP CASE DRAIN-CK & RLF | 2 |
| 3 | HOS0024980 | HOSE-PRESSURE RETRACE | 1 |
| 4 | HOS0023488 | HOSE-PUMP SUCTION | 1 |
| 5 | HOS0032166 | FEEDER MANIFOLD PRESSURE HOSE | 1 |
| 6 | HOS0032167 | PUMP-FEEDER VALVE PRES PORT | 1 |
| 7 | HOS0024887 | HOSE-PLUNGER CYLINDER | 1 |
| 8 | HOS0024984 | HOSE-LEFT MAKE UP CYLINDER 54" | 1 |
| 9 | HOS0028188 | HOSE-CONT. VAL TO 10M PRESS. GAG | 1 |
| 10 | TBE0024975 | TUBE-PLUNGER VALVE PILOT | 1 |
| 11 | HOS0024889 | HOSE-PLUNGER CYLINDER ROD END | 1 |
| 12 | HOS0022137 | HOSE-10M PRESSURE GAUGE | 1 |
| 13 | HOS0024973 | HOSE PLUNGER VALVE BULKHEAD | 1 |
| 14 | HOS0016624 | HOSE-VALVE MANIFOLD PILOT | 1 |
| 15 | HOS0023460 | HOSE-ACCUMULATOR DISCHARGE | 1 |
| 16 | HOS0015874 | HOSE-PLUNGER CYLINDER | 1 |
| 17 | HOS0020543 | HOSE-ACCUMULATOR CHARGE | 1 |
| 18 | HOS0035162 | COMMERCIAL PUMP SUCTION HOSE | 1 |

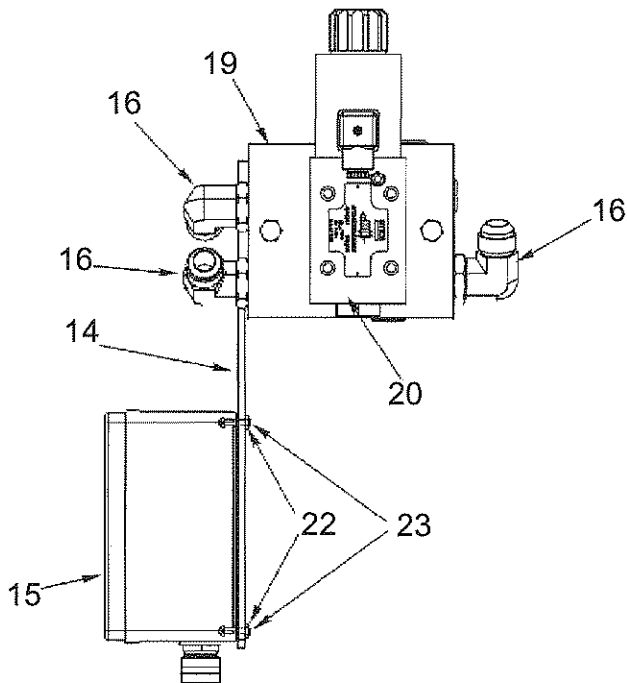
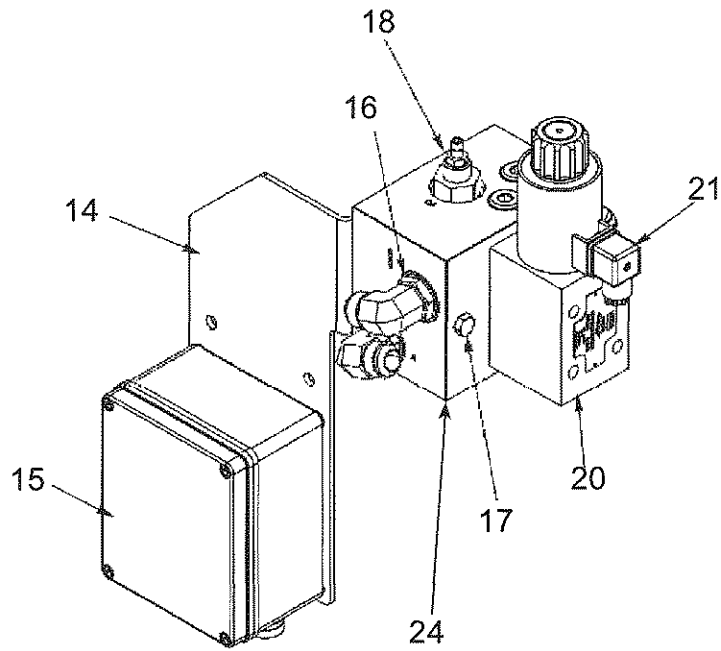
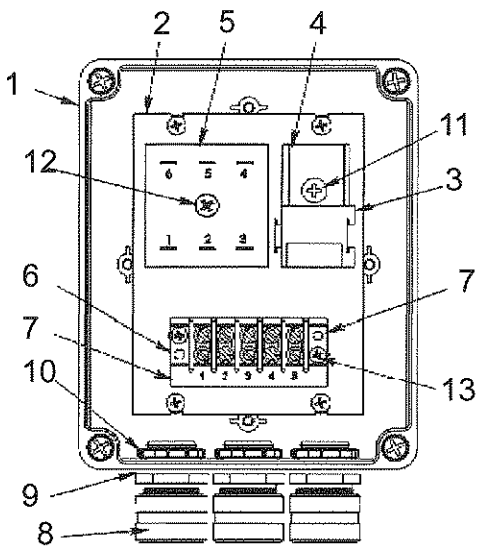
KNOTTER AND FEED FORK MANIFOLD VALVE/HOSE ASSEMBLIES



KNOTTER AND FEED FORK MANIFOLD VALVE/HOSE ASSEMBLIES

| REF NO. | PART NO. | DESCRIPTION | QTY. USED | REF NO. | PART NO. | DESCRIPTION | QTY. USED |
|---------|------------|-----------------------------------|-----------|---------|------------|------------------------------------|-----------|
| 1 | VLV1730401 | VALVE-KNOTTER/FEED COMPLETE | 1 | 19 | HYD5015062 | CONN. 12F JIC X 4M JIC STR | 1 |
| 2 | VLV0000416 | VALVE-RESERVOIR | 2 | 20 | HYD5129020 | CAP 1/4 JIC | 1 |
| 3 | COI0035G12 | SOLENOID COIL 12 VDC | 4 | 21 | HYD5315043 | CONN. 1/2 JIC X 3/8 O-RING STR THD | 1 |
| | KIT046J515 | SEAL KIT F/VLV046J515 | 1 | 22 | HOS0016624 | HOSE-VALVE MANIFOLD PILOT | 1 |
| | VLV046J515 | VALVE | 2 | 23 | HOS0023438 | HOSE-FEED FORK MOTOR | 2 |
| 4 | SPG0011549 | RETURN SPRING | 4 | 24 | HOS037354A | KNOTTER SLOWDOWN KIT HOSE | 3 |
| 5 | VLV0000026 | RELIEF VALVE CARTRIDGE | 3 | 25 | HOS0023435 | HOSE-FEED KNOTER MANIFOLD RTRN | 1 |
| 6 | KIT0991010 | SEAL KIT F/VLV0000026 | 3 | 26 | KIT0000017 | O-RING SEAL KIT F/VLV0017304 | 1 |
| 7 | VLV1592CBG | COUNTER BALANCE VALVE | 1 | 27 | KIT0000010 | SEAL KIT F/VLV0000416 | 2 |
| 8 | VLV1592CBE | COUNTER BALANCE VALVE | 1 | 28 | SCC0030015 | BOLT 3/8-16 X 4-1/2 GRD 5 HEX | 2 |
| 9 | KIT0000013 | SEAL KIT F/VLV1592CBG | 1 | | WLK0000375 | WASHER 3/8 S/T LOCK | 2 |
| 10 | SEL0002006 | SEAL KIT F/VLV1592CBE | 1 | 29 | SCC0030016 | BOLT 3/8-16 X 5 GRD 5 HEX | 1 |
| 11 | CNR0000194 | 3/8 TO 1/2 CONNECTOR | 2 | | WLK0000375 | WASHER 3/8 S/T LOCK | 1 |
| 12 | HYD7237060 | HEX HD PLUG 3/4 O-RING PLTD | 1 | 30 | SCS0000107 | BOLT 1/4 X 2-1/4 NC SOC. HD | 4 |
| 13 | HYD7237040 | HEX HD PLUG 1/2 O-RING PLTD | 4 | | WAS0000025 | LOCKWASHER 1/4 HIGH COLLAR | 4 |
| 14 | HYD7237030 | HEX HD PLUG 3/8 O-RING PLTD | 5 | 31 | SCS0000307 | BOLT 3/8-16 X 2-1/4 SOC. HD PLTD | 8 |
| 15 | HYD7237050 | HEX HD PLUG 5/8 O-RING PLTD | 2 | | WAS0000107 | LOCKWASHER 3/8 HIGH COLLAR | 3 |
| 16 | HYD5515060 | ELBOW 3/4 JIC X 3/4 O-RING 90 DEG | 3 | | WLK0000375 | WASHER 3/8 S/T LOCK | 5 |
| 17 | HYD5365060 | ELBOW 12M JIC X 12M ADJ 45 DEG | 2 | 32 | VLV0017304 | FEEDER VALVE MANIFOLD BODY | 1 |
| 18 | HYD5315060 | CONN. 12M O-RING X 12M JIC STR | 2 | 33 | HOS037569A | KNOTTER RETURN HOSE | 1 |
| | | | | 34 | HOS0032166 | FEEDER MANIFOLD PRESSURE HOSE | 1 |

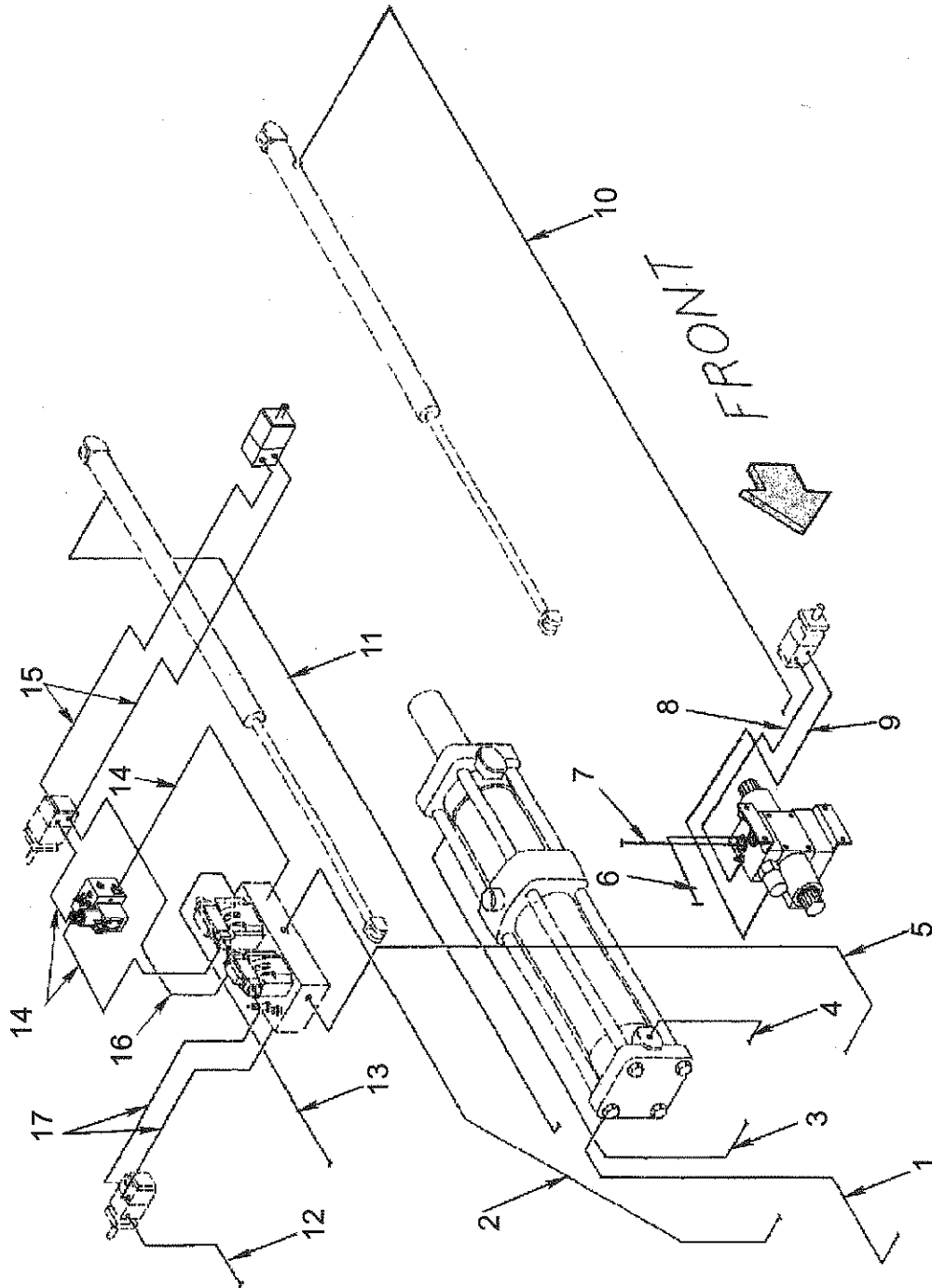
KNOTTER SLOWDOWN MANIFOLD AND CONTROLS



KNOTTER SLOWDOWN MANIFOLD AND CONTROLS

| REF NO. | PART NO. | DESCRIPTION | QTY. USED |
|---------|------------|-----------------------------------|-----------|
| 1 | BOX037336B | KNOTTER SLOWDOWN CONTROL BOX | 1 |
| 2 | PNL037340B | KNOTTER SLOWDOWN CONTROL PAN | 1 |
| 3 | REL0001002 | RELAY SOCKET | 1 |
| 4 | REL5058963 | RELAY | 1 |
| 5 | REL0000001 | TIMER, SINGLE SHOT, 12VDC, 1 SEC | 1 |
| 6 | BAB0005140 | BARRIER BLOCK-5 POS x .375 SP | 1 |
| 7 | MSR005140Y | MARKER STRIP, 5 PLACE, 3/8 PITCH | 1 |
| 8 | CNR0000193 | 1/2" CORD CONNECTOR (.250-.375)F2 | 3 |
| 9 | RNG0005262 | SEALING RING F/1/2"CONNECTOR | 3 |
| 10 | NMS0000150 | CONDUIT LOCKNUT 1/2 -STEEL | 3 |
| 11 | SMP1032500 | PAN HD 10-32 X 1/2 | 1 |
| 12 | SMR1032100 | RND HD MS NF 10-32X1 | 1 |
| 13 | SMR6320750 | RND HD MS 6-32 X 3/4 ZINC | 2 |
| 14 | MNT037330D | KNOTTER SLOWDOWN VALVE MOUNT | 1 |
| 15 | BOX037337D | KNOTTER SLOWDOWN CONTROL BOX | 2 |
| 16 | HYD5515060 | 3/4 JIC X 3/4 O-RING 90° ELBOW | 3 |
| 17 | SCC0030015 | HEX HD CS NC 3/8 X 4-1/2 | 2 |
| 18 | VLV0000091 | FLOW CONTROL VALVE | 1 |
| 19 | MNF0D8639B | MOTOR CONTROL MANIFOLD BODY | 1 |
| 20 | VLV0000090 | DIRECTIONAL VALVE | 1 |
| 21 | ELC0000093 | 3 PIN DIN CONNECTOR | 1 |
| 22 | NCH0000832 | HEX NUT NC 4 | |
| 23 | SMR8320075 | ROUND HD M/S 8-32 X 3/4" | 4 |
| 24 | MNF037492D | KNT SLOWDOWN HYD MANIFOLD ASSY | 1 |

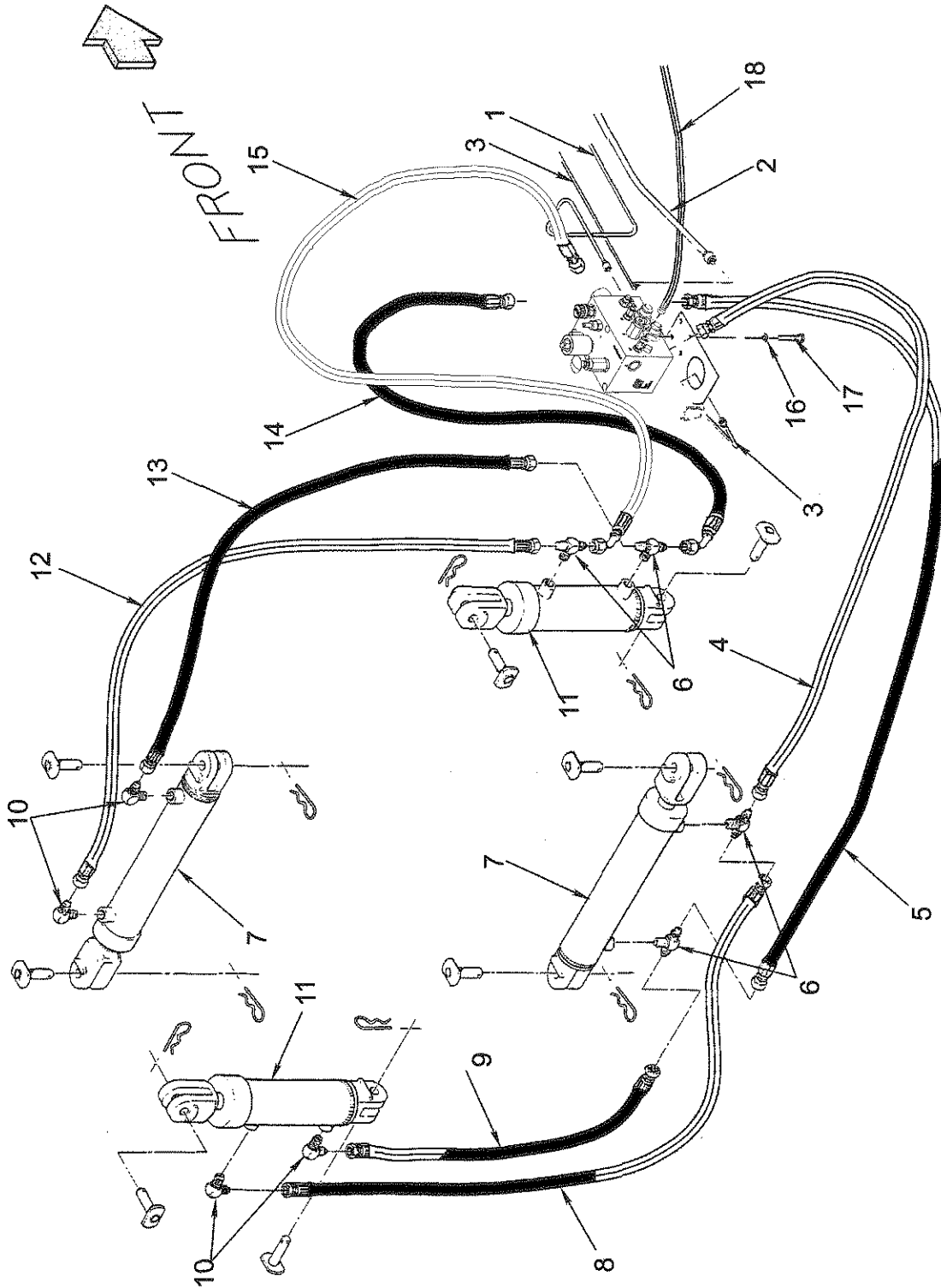
PLUNGER, FEEDER AND KNOTTER HOSE ASSEMBLIES



PLUNGER, FEEDER AND KNOTTER HOSE ASSEMBLIES

| REF NO. | PART NO. | DESCRIPTION | QTY. USED |
|------------|-------------|---------------------------------|--------------|
| 1 | HOS0015874 | HOSE-PLUNGER CYLINDER | 1 |
| 2 | HOS0016624 | HOSE-VALVE MANIFOLD PILOT | 1 |
| 3 | HOS0024889 | HOSE-PLUNGER CYLINDER ROD END | 1 |
| 4 | HOS0024887 | HOSE-PLUNGER CYLINDER | 1 |
| 5 | HOS0032166 | HOSEFEEDER MANIFOLD PRESSURE | 1 |
| 6 | HOS0032167 | HOSE-FEEDER VALVE SUPPLY | 1 |
| 7 | HOS0016649 | HOSE-RETURN FEEDER VALVE | 1 |
| 8 | HOS036689A | HOSE FEEDER VLV TO FEEDER MOTOR | 1 |
| 9 | HOS036689A | HOSE FEEDER VLV TO FEEDER MOTOR | 1 |
| 10 | HOS0023451 | HOSE-LH MAKE UP CYLINDER BASE | 1 |
| 11 | HOS0023452 | HOSE-RH MAKE UP CYLINDER BASE | 1 |
| 12 | HOS0023455 | HOSE-PRESSURE SWITCH | 1 |
| 13 | HOS036692A | HOSEKNOTTER MANIFOLD TANK PORT | 1 |
| 14 | HOS037354A | HOSE-KNOTTER SLOWDOWN KIT | 3 |
| 15 | HOS037017A | HOSE-KNOTTER MOTOR SECONDARY | 2 |
| 16 | HOS037569A | HOSE-KNOTTER RETURN | 1 |
| 17 | HOS0023438 | HOSE-FEED FORK MOTOR | 2 |
| 18 | HOS036701A | HOSE TENSION PRESSURE GAUGE | 1 |

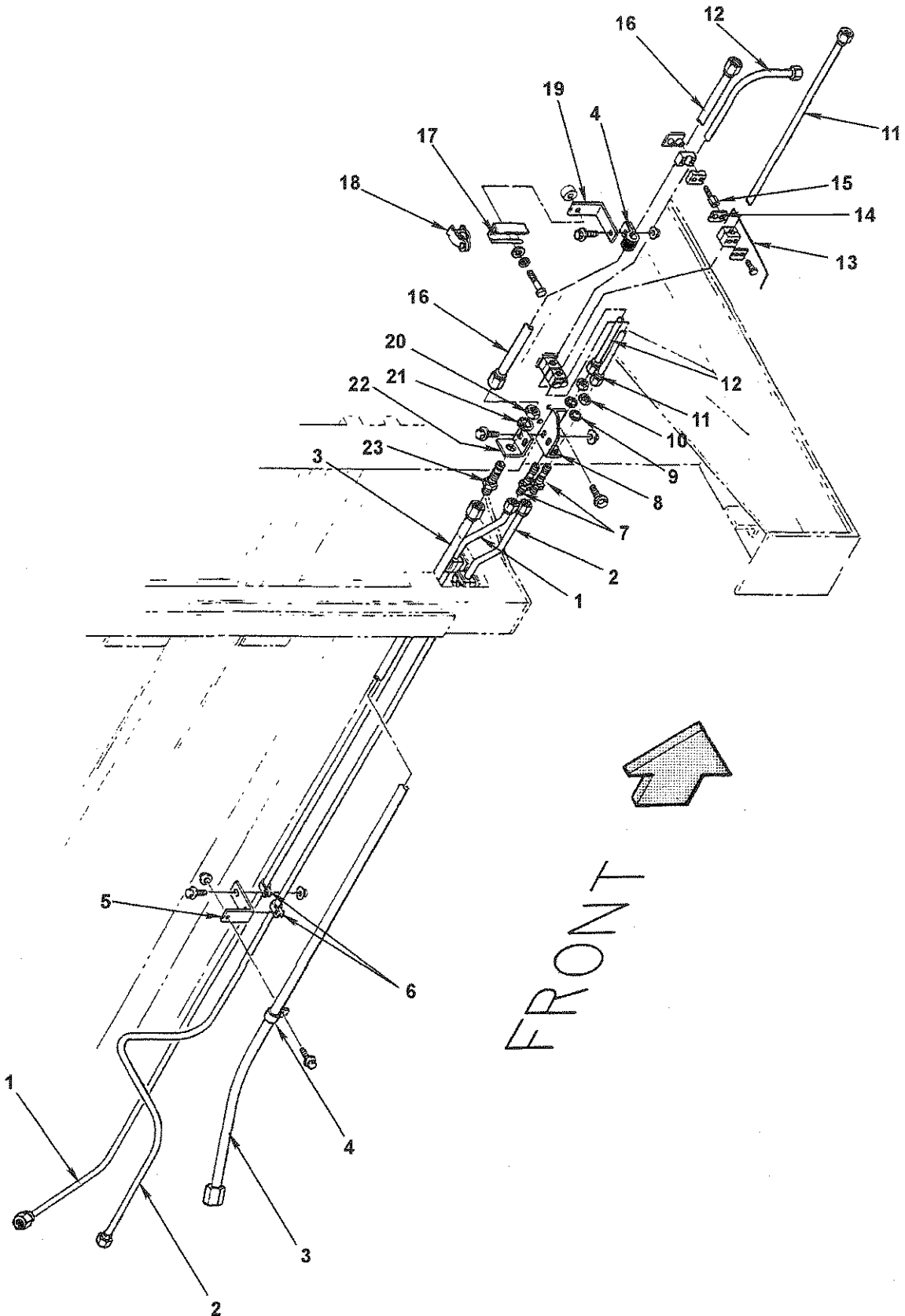
TENSION CONTROL HOSE ASSEMBLIES



TENSION CONTROL HOSE ASSEMBLIES

| REF NO. | PART NO. | DESCRIPTION | QTY. USED |
|------------|-------------|--------------------------------------|--------------|
| 1 | HOS036700A | HOSE TENSION MANIFOLD SUPPLY | 1 |
| 2 | HOS036699A | HOSE TENSION MANIFOLD RETURN | 1 |
| 3 | HOS036698A | HOSE TENSION MAN TO RH CYL RET | 1 |
| 4 | HOS036694A | HOSE TENSION MAN TO BOT CYL. SUP | 1 |
| 5 | HOS036695A | TEN MANIFOLD TO BOT CYL.RET HOSE | 1 |
| 6 | HYD5605060 | BRNCH TEE 3/4 M X 12M JIC X 12 M JIC | 4 |
| 7 | CYL0TC3516 | CYLINDER TC | 2 |
| 8 | HOS0020947 | HOSE-TC STYLE TENS CYL | 1 |
| 9 | HOS0020948 | HOSE-TC STYLE TENS CYL | 1 |
| 10 | HYD5405060 | 3/4 JIC X 3/4 NPT M 90 ELBOW | 4 |
| 11 | CYL00TC408 | CYLINDER TC 4 X 8 MODIFIED | 2 |
| 12 | HOS0015761 | HOSE TENS CONTROL CYL | 1 |
| 13 | HOS0015762 | HOSE TENS CONTROL CYL | 1 |
| 14 | HOS036696A | TEN MANIFOLD TO RH CYL RET HOSE | 1 |
| 15 | HOS036697A | TEN MANIFOLD TO RH CYL SUP HOSE | 1 |
| 16 | WLKM100120 | WASHER 12MM LOCK | 2 |
| 17 | SCCM112065 | BOLT 12-8.8MM C 65MM HEX PLTD | 2 |
| 18 | HOS036701A | HOSE TENSION PRESSURE GAUGE | 1 |

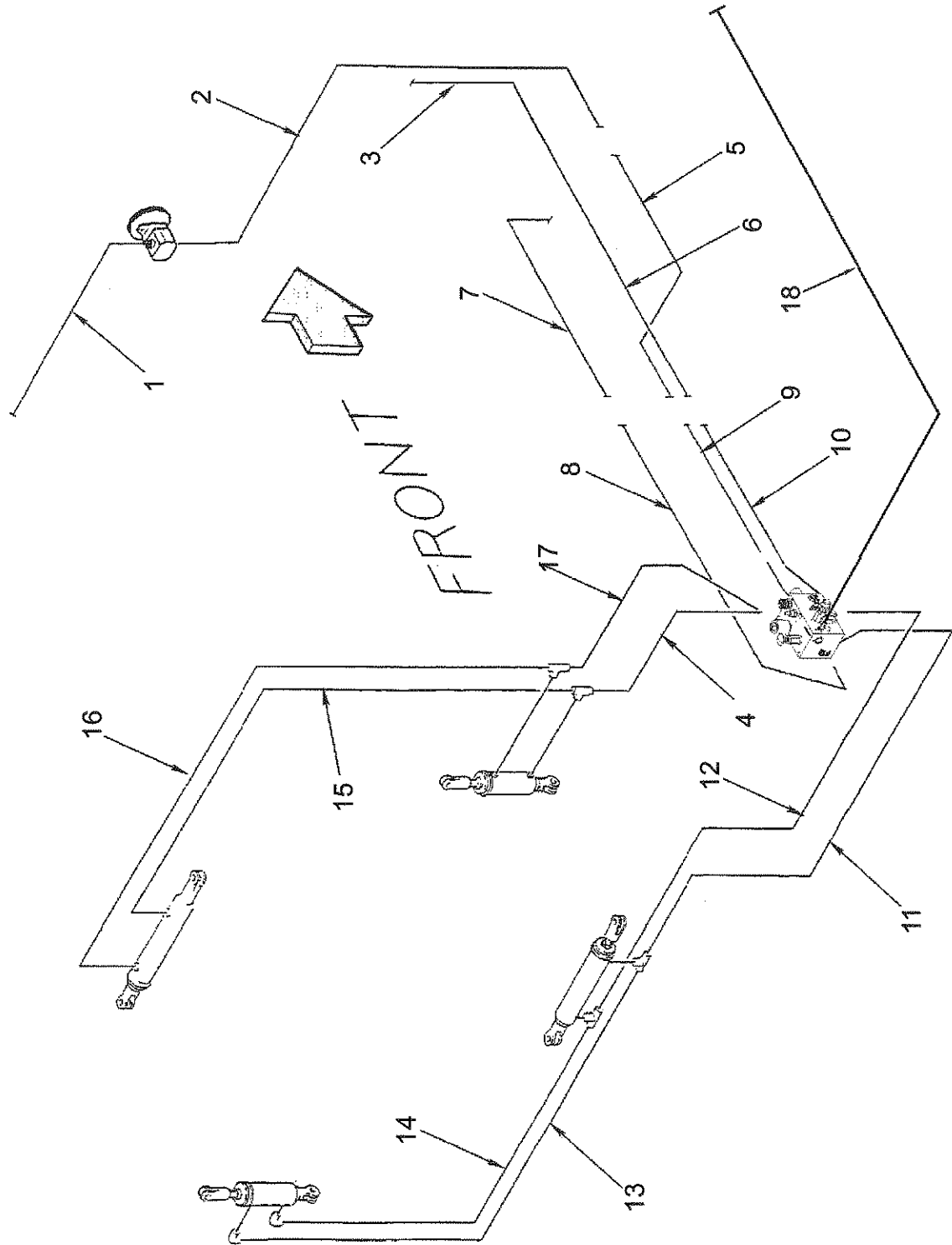
TENSION CONTROL TUBE ASSEMBLIES



TENSION CONTROL TUBE ASSEMBLIES

| REF NO. | PART NO. | DESCRIPTION | QTY. USED | REF NO. | PART NO. | DESCRIPTION | QTY. USED |
|---------|------------|---------------------------------|-----------|---------|------------|--------------------------------|-----------|
| 1 | HOS036698A | HOSE TENSION MAN PILOT PRESSURE | 1 | 14 | PLT10951SP | SAFETY PLATE | 2 |
| 2 | HOS036700A | HOSE TENSION MANIFOLD SUPPLY | 1 | 15 | SMS10951SP | BOLT STACK | 4 |
| 3 | HOS036699A | HOSE TENSION MANIFOLD RETURN | 1 | 16 | TBE0023717 | TUBE-FRONT TENSION RETURN | 1 |
| 4 | CLP7701158 | HOSE CLAMP | 2 | 17 | MNT0020255 | UNISTRUT CHANNEL | 1 |
| | SMS0000172 | BOLT 1/4 X 3/4 NC WHIZ PLD | 2 | | WCT0000375 | WASHER 3/8 FLAT | 1 |
| | NMS0000250 | NUT 1/4 NC FLG WHIZ | 2 | | WLK0000375 | WASHER 3/8 S/T LOCK | 1 |
| 5 | BKT0031949 | TENSION RETURN TUBE ANCHOR BKT | 1 | | SCC0030002 | BOLT 3/8-16 X 1 GRD 5 HEX | 1 |
| | SMS0000172 | BOLT 1/4 X 3/4 NC WHIZ PLD | 1 | 18 | CLP0100150 | 1-1/2 HYDRA ZORB CLAMP | 1 |
| | NMS0000250 | NUT 1/4 NC FLG WHIZ | 1 | 19 | BKT0031949 | TENSION RETURN TUBE ANCHOR BKT | 1 |
| 6 | CLP7701154 | INSULATED HOSE CLAMP | 2 | | SMS0000184 | BOLT 5/16-18 X 3/4 FLG WHIZ | 1 |
| 7 | HYD5325030 | BULKHEAD UNION 3/8 JIC | 2 | | NMS0000117 | NUT 5/16 NC FLG WHIZ LOCK | 1 |
| 8 | BKT0018160 | BULKHEAD BRACKET 3/8 | 2 | 20 | HYD5924050 | BULKHEAD NUT 5/8 | 1 |
| | SMS0000184 | BOLT 5/16-18 X 3/4 FLG WHIZ | 2 | 21 | WIS0007500 | WASHER 3/4 INT. STAR | 1 |
| 9 | WIS0005625 | WASHER 9/16 INT STAR PLTD | 2 | 22 | BKT0018013 | BULKHEAD BRACKET 5/8 TUBE | 1 |
| 10 | HYD5924030 | BULKHEAD NUT 3/8 | 2 | | SMS0000184 | BOLT 5/16-18 X 3/4 FLG WHIZ | 2 |
| 11 | TBE0023718 | TUBE-FRONT TENSION PRESSURE | 1 | | NMS0000117 | NUT 5/16 NC FLG WHIZ LOCK | 2 |
| 12 | TBE0023719 | TUBE-FRONT TENSION PILOT | 1 | 23 | HYD5325050 | BULKHEAD UNION 5/8 JIC | 1 |
| 13 | CLP0010951 | CLAMP 3/8 | 6 | | | | |
| | SCC0010003 | BOLT 1/4-20 X 1-1/4 GRD 5 HEX | 8 | | | | |

TENSION SYSTEM HOSE ASSEMBLIES

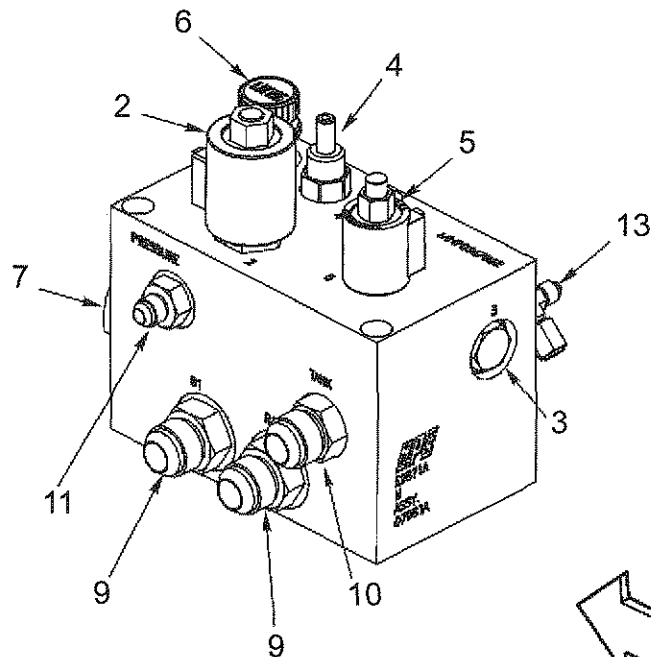
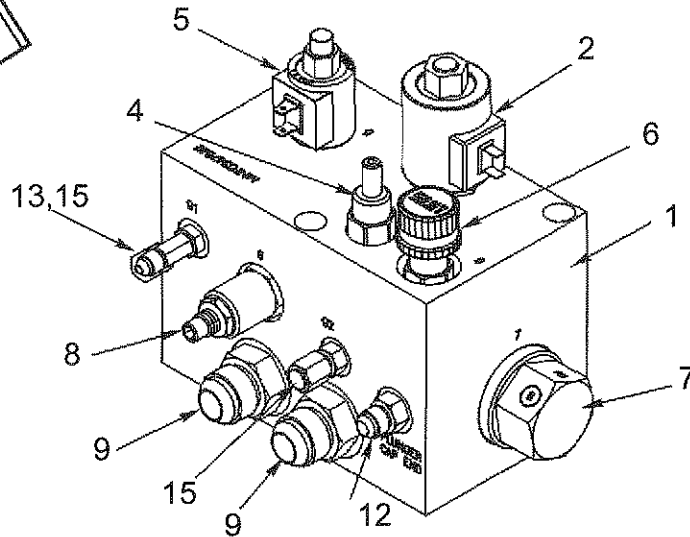



TENSION SYSTEM HOSE ASSEMBLIES

| REF NO. | PART NO. | DESCRIPTION | QTY. USED |
|------------|-------------|----------------------------------|--------------|
| 1 | HOS0023494 | HOSE-TENSION PUMP SUCTION | 1 |
| 2 | HOS036690A | HOSE TENSION PUMP | 1 |
| 3 | HOS0025038 | HOSE-TENSION REGULATOR TO TANK | 1 |
| 4 | HOS036696A | TEN MANIFOLD TO RH CYL RET HOSE | 1 |
| 5 | TBE0023718 | TUBE-FRONT TENSION PRESSURE | 1 |
| 6 | TBE0023717 | TUBE-FRONT TENSION RETURN | 1 |
| 7 | TBE0023719 | TUBE-FRONT TENSION PILOT | 1 |
| 8 | HOS036698A | TEN MANIFOLD TO RH CYL RET HOSE | 1 |
| 9 | HOS036700A | TENSION MANIFOLD SUPPLY HOSE | 1 |
| 10 | HOS036699A | TENSION MANIFOLD RETURN HOSE | 1 |
| 11 | HOS036694A | TEN MANIFOLD TO BOT CYL.SUP HOSE | 1 |
| 12 | HOS036695A | TEN MANIFOLD TO BOT CYL.RET HOSE | 1 |
| 13 | HOS0020947 | HOSE-TC STYLE TENS CYL | 1 |
| 14 | HOS0020948 | HOSE-TC STYLE TENS CYL | 1 |
| 15 | HOS0015762 | HOSE TENS CONTROL CYL | 1 |
| 16 | HOS0015761 | HOSE TENS CONTROL CYL | 1 |
| 17 | HOS036697A | TEN MANIFOLD TO RH CYL SUP HOSE | 1 |
| 18 | HOS036701A | TEN PRESSURE GAUGE HOSE | 1 |

UNLOADER VALVE COMPONENTS

FRONT 

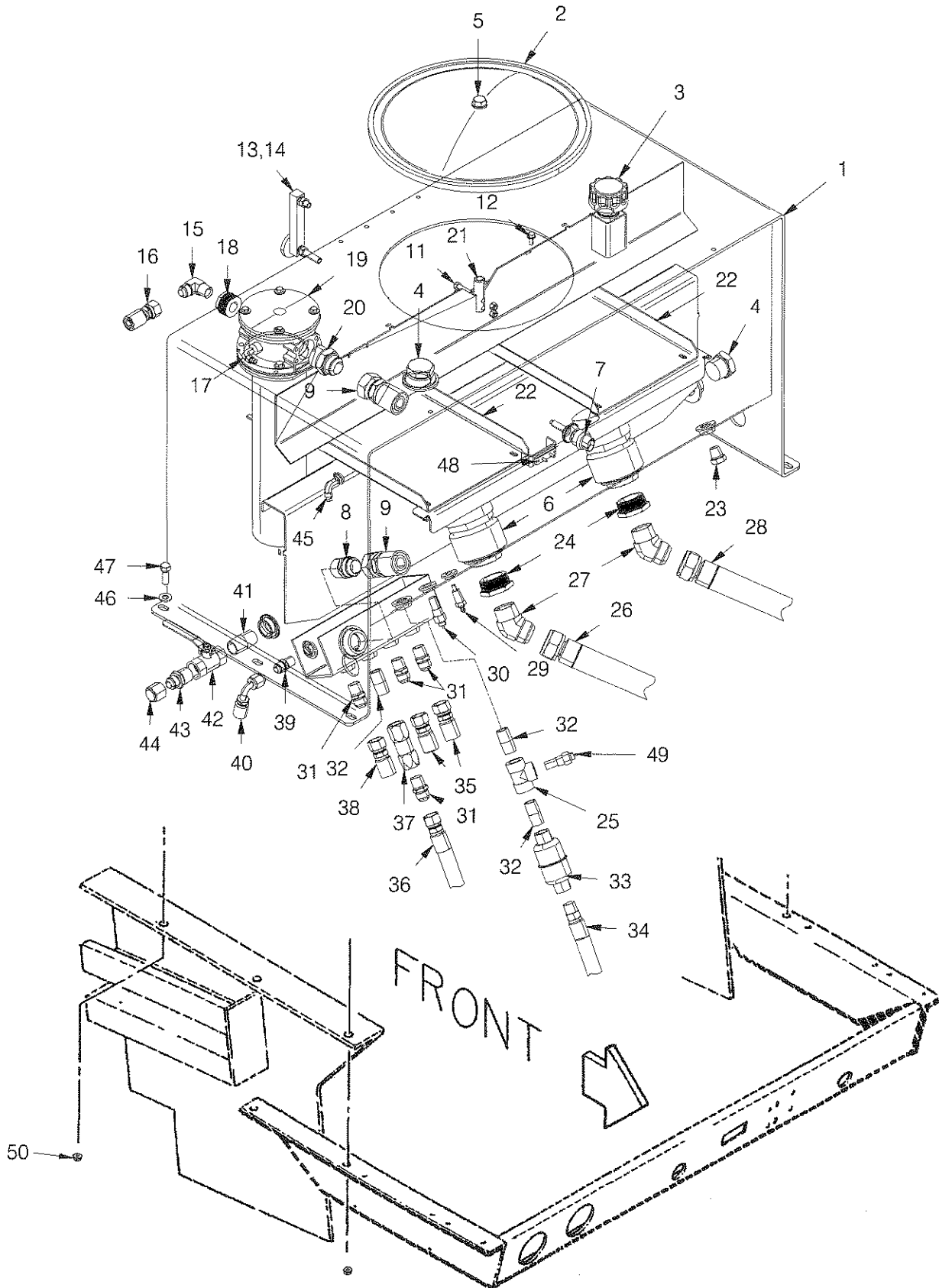


 FRONT

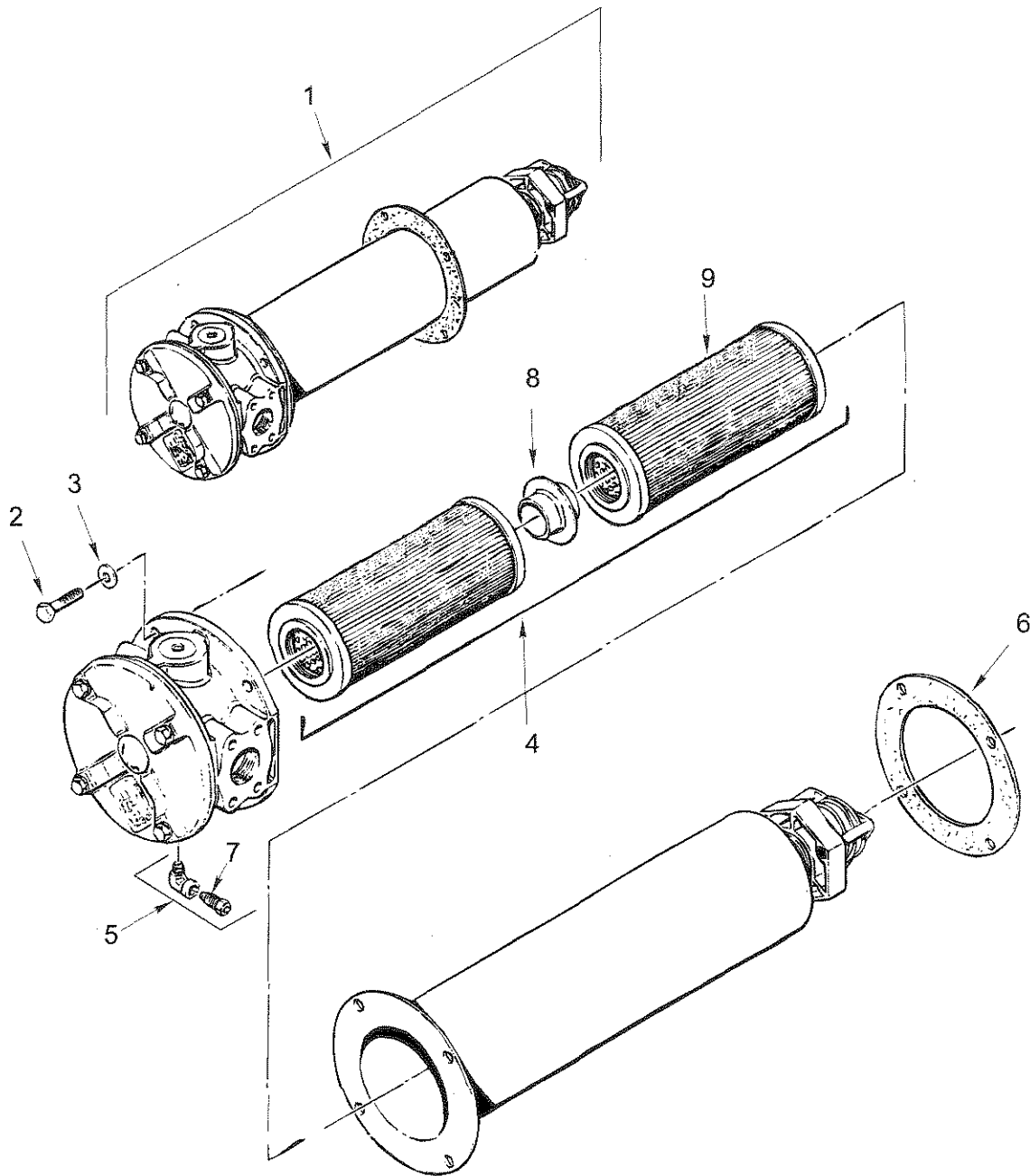
UNLOADER VALVE COMPONENTS

| REF NO. | PART NO. | DESCRIPTION | QTY. USED |
|------------|-------------|-------------------------------------|--------------|
| | MNF036786E | TENSION CONTROL MANIFOLD ASSY | |
| 1 | MNF036773D | TENSION VALVE MANIFOLD | 1 |
| 2 | VLV0000049 | SPOOL VALVE, 2 WAY,NO,10 VDC | 1 |
| | VLV0000053 | SPOOL VALVE CARTRIDGE | |
| | COI6351010 | SOLENOID VALVE COIL, 10 VDC | |
| | SEL0000049 | SEAL KIT FOR VLV000049 | |
| 3 | VLV0000051 | CHECK VALVE CARTRIGE, 5 PSI | 1 |
| | SEL0000051 | SEAL KIT FOR VLV0000051 | |
| 4 | VLV0000044 | DIRECTIONAL VALVE F/ MNF036773D | 1 |
| | SEL0000044 | SEAL KIT FOR VLV0000044 | |
| 5 | VLV0000063 | TENSION CONTROL VALVE | 1 |
| | VLV0000064 | TENSION VALVE CARTRIDGE | |
| | COI0000002 | SOLENOID VALVE COIL, 12DC | |
| | SEL0000063 | SEAL KIT F/VLV0000063 | |
| 6 | VLV0000044 | DIRECTIONAL VALVE, NC | 1 |
| | VLV0000056 | DIRECTIONAL VALVE CARTRIDGE, NC | |
| | VLV0000055 | VALVE ADJUSTING KNOB KIT | |
| | SEL0000045 | SEAL KIT FOR VLV0000045 | |
| 7 | VLV0000015 | 1592 TENSION CAVITY PLUG | 1 |
| | SEL0000028 | SEAL KIT FOR VLV0000015 | |
| 8 | VLV0000059 | RELIEF VALVE | 1 |
| | SEL0000059 | SEAL KIT FOR VLV0000059 | |
| 9 | HYD5315060 | 3/4 JIC X 3/4 O-RING ST THD CONN | 4 |
| 10 | HYD5315065 | 3/4 JIC X 5/8 O-RING ST THD CONN | 1 |
| 11 | HYD5315034 | 3/8 JIC X 1/2 O-RING STR THREAD CON | 1 |
| 12 | HYD5315033 | 3/8 JIC X 3/8 O-RNG ST THD CONN | 1 |
| 13 | HYD5716020 | 1/4 TUBE 1/4 O-RING RUN TEE | 1 |
| 14 | HYD5315020 | STR. THD. CONN., -4 ORING X -4 JIC | 1 |
| 15 | HYD5129020 | 1/4" JIC CAP | 1 |

RESERVOIR ASSEMBLY



MAIN SYSTEM HYDRAULIC FILTER COMPONENTS



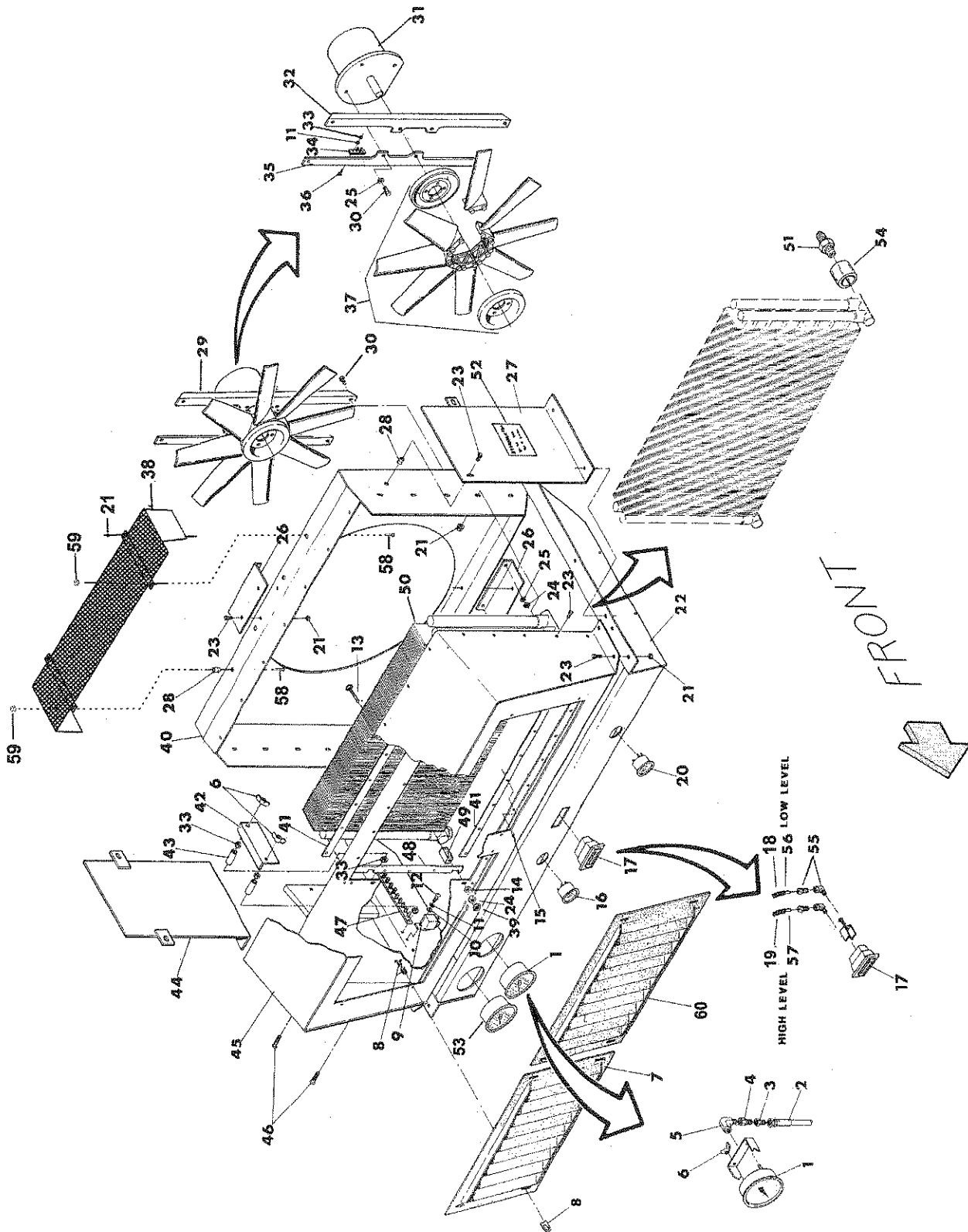
RESERVOIR ASSEMBLY

| REF NO. | PART NO. | DESCRIPTION | QTY. USED | REF NO. | PART NO. | DESCRIPTION | QTY. USED |
|---------|------------|------------------------------------|-----------|---------|-------------|----------------------------------|-----------|
| 1 | TNK037723E | TANK, HYDRAULIC OIL | 1 | 25 | HYD3709060 | 3/4 STEEL FEMALE PIPE TEE | 1 |
| 2 | CVR0000001 | HYD TANK CLEAN-OUT COVER | 1 | 26 | HOS0035162 | COMMERCIAL PUMP SUCTION HOSE | 1 |
| 3 | FIL1731101 | BREATHER FILTER, HYD TANK | 1 | 27 | HYD5355121 | 1-1/2JIC X 1-1/2NPT 45* | 2 |
| 4 | HYD3159022 | PIPE PLUG 1-1/2 HEX STEEL | 2 | 28 | HOS0023488 | HOSE, SUND. PUMP SUCTION | 1 |
| 5 | SCC0070012 | HEX HD CS NC 5/8 X 3-1/2 - PLATED | 1 | 29 | ELC0000334 | SENDING UNIT- HYD TEMP | 1 |
| 6 | SCR3001592 | SCREEN 3" SUCTION | 2 | 30 | THM0714326 | 220F TEMP WIRING HARNESS | 1 |
| 7 | SWI0000824 | SWITCH - LIQUID LEVEL | 1 | 31 | HYD5205060 | CONN. 3/4 JIC X 3/4 NPT M | 4 |
| 8 | HYD5205100 | CONN 1-1/4 JIC 1-1/4 NPT M | 1 | 32 | PPE0000750 | 3/4 CLOSE NIPPLE BLACK STEEL | 2 |
| 9 | HOS036702A | RETURN FILTER TO RET MANIFD HOSE | 1 | 33 | FIL0000003 | FILTER-SUCTION F/1592 TNS PUMP | 1 |
| 10 | SCC0030004 | HEX CAP SCREW 3/8-16 X 1-1/2"GRD 5 | 2 | 34 | HOS0023494 | HOSE TENSION PUMP SUCTION | 4 |
| 11 | NCE0000375 | ESNA NUT 3/8-16 PLATED | 2 | 35 | HOS0025040 | HOSE-RT PUMP CASE DRAIN-CHK VLV | 2 |
| 12 | SMS0000184 | WHIZ BOLT 5/16 X 3/4 NC-PLATED | 8 | 36 | HOS036693A | OIL COOLER BYPASS HOSE | 1 |
| | NCE0003125 | ESNA NUT NC 5/16 | 8 | 37 | VLV0075005 | CHECK VALVE 3/4 X 5LB | 1 |
| 13 | GAG0064051 | GAUGE-THERMOMETER SIGHT | 1 | 38 | HOS0023435 | FEED KNOTTER MANIFOLD RETN HSE | 1 |
| 14 | HYD7629040 | 1/2 O-RING | 2 | 39 | HYD5205054 | 5/8 JIC X 1/2 NPT MALE CONN | 1 |
| 15 | HYD5405060 | 3/4 JIC X 3/4 NPT 90* MALE ELB | 2 | 40 | HOS0025038 | HOS-TENSION REGULATOR TO TANK | 1 |
| 16 | HOS036692A | HOSE KNOTTER MANIFOLD TANK | 1 | 41 | PPE0001000 | 1" CLOSE NIPPLE BLACK STEEL | 1 |
| 17 | F 0001441 | CONN 1/8NPT M X 1/4 ELBOW W/NUT | 2 | 42 | VLV0006001 | VALVE 1" BALL BRASS | 1 |
| 18 | HYD3109096 | 1-1/2 X 3/4 STEEL PIPE BUSHING | 3 | 43 | F000006675 | 3/4" JIC TO 1" ST FITTING | 1 |
| 19 | FIL0001592 | FILTER | 1 | 44 | HYD5129060 | SENDING UNIT- HYD TEMP | 1 |
| 20 | HYD5205120 | 1-1/4 JIC X 1-1/2 NPT CONNECT | 1 | 45 | F000001441 | CONN 1/8 NPT M X 1/4 ELBOW W/NUT | 6 |
| 21 | DPT0004000 | BAFFLE ADAPTER FWE4A | 1 | 46 | NCH00000500 | HEX NUT 1/2 NC PLTD | 6 |
| 22 | BAF037731D | BAFFEL | 2 | 47 | HOS0016649 | HOSE-RETUN FEEDER VALVE | 1 |
| 23 | HYD3159060 | PIPE PLUG 3/4 HEX STEEL | 1 | 48 | TEB0472102 | 2 POST TERMINAL BLOCK | 1 |
| 24 | PPE2001500 | 2 X1-1/2 STD BLK HEX BUSH | 2 | 49 | THM001592D | THERMOSTAT, PROBE TYPE-1592D | 1 |
| | | | | 50 | NMS0000252 | WHIZ NUT NC 1/2 | 4 |

MAIN SYSTEM HYDRAULIC FILTER COMPONENTS

| REF NO. | PART NO. | DESCRIPTION | QTY. USED |
|------------|-------------|---|--------------|
| 1 | FIL0001592 | FILTER - MAIN SYSTEM HYDRAULIC (INC 4 & 6) | |
| 2 | SCC0030004 | BOLT 3/8-16 X 1-1/2 NC HEX PLTD | 4 |
| 3 | WAS0093781 | THREAD SEALING WASHER | 4 |
| 4 | KIT003000 | ELEMENT KIT (2 ELEMENT AND CONN) | 1 |
| 5 | F 0001441 | CONN. 1/8 NPT M X 1/4 ELBOW W/NUT | 1 |
| 6 | GSK0000RG4 | GASKET - FILTER HOUSING | 1 |
| 7 | F000008312 | 1/4 SLEEVE F/F1441 | 1 |
| 8 | CNR0001997 | CONNECTOR F/ FIL3000 | 1 |
| 9 | FIL0003000 | ELEMENT F/1592 MAIN HYD FILTER | 2 |

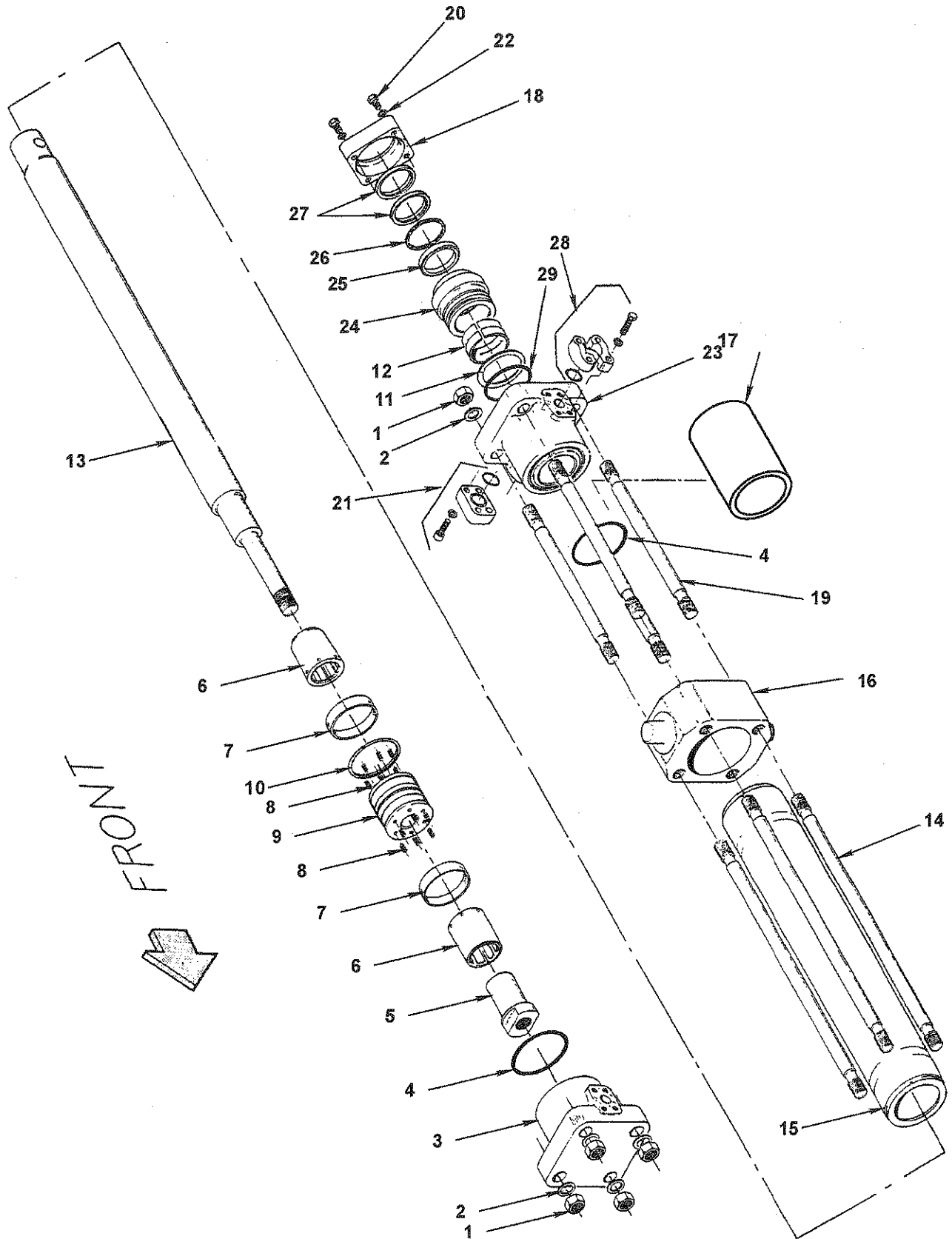
OIL COOLING SYSTEMS AND GAUGE PANEL ASSEMBLIES



OIL COOLING SYSTEMS AND GAUGE PANEL ASSEMBLIES

| REF NO. | PART NO. | DESCRIPTION | QTY. USED | REF NO. | PART NO. | DESCRIPTION | QTY. USED |
|---------|------------|-------------------------------------|-----------|---------|------------|-----------------------------------|-----------|
| 1 | GAG2335010 | GAUGE LIQ FILL HYD 10000 PSI 4" | 1 | 32 | SUP0233771 | RIGHT OIL COOLER FAN MTR MOUNT | 1 |
| 2 | HOS0022137 | 10M PRESSURE GUAGE HOSE | 1 | | SUP0233770 | LEFT OIL COOLER FAN MTR MOUNT | |
| 3 | HYD5255022 | FITTING 1/4F X 1/4M JIC SOLID STR | 1 | 33 | NFH0001032 | 10-32 NF HEX NUT - PLATED | 6 |
| 4 | HYD0010000 | PULSATION DAMPENER | 1 | 34 | TEB0472102 | 2 POST TERMINAL BLOCK | 1 |
| 5 | HYD3409020 | STREET ELBOW 1/4 X 90 | 1 | 35 | SUP0233771 | RIGHT OIL COOLER FAN MTR MOUNT | 1 |
| 6 | CLP0411001 | NUT 5/16 U-CLIP | 4 | 36 | SMR1032750 | 10-32 X 3/4 RH MACH SCREW | 2 |
| 7 | GRL0023379 | OIL COOLER GRILL | 2 | 37 | FAN5000212 | BLADE ASSY - COOLER FAN 21" | 1 |
| 8 | FST0010401 | MED DUTY FLDING HANDLE FASTNER | 8 | 38 | GRD0506125 | GUARD - FAN OIL COOLER | 1 |
| 9 | REL0000332 | RELAY SPDT | 1 | 39 | NCE0000313 | 5/16" NC ESNA NUT - PLATED | 4 |
| 10 | WCT0000100 | #10 FLATWASHER - PLATED | 1 | 40 | SHR0023371 | OIL COOLER FAN SHROUD | 1 |
| 11 | WLK0000100 | #10 LOCKWASHER - PLATED | 6 | 41 | SPC0017429 | SPACER - HEAT EXCHANGER | 2 |
| 12 | SMR1032050 | 10-32X1/2 RH MACH SCREW | 2 | 42 | SHD0020822 | SHIELD-10 POST JUNC. BLOCK | 1 |
| 13 | CRB3130225 | BOLT 5/16-18 X 2-1/4 GRD 5 CARRIAGE | 4 | 43 | 11-262 | 1" SPACER F/JUNC BLOCK | 2 |
| 14 | WCT0000313 | WASHER 5/16 FLAT | 4 | 44 | SHD0023375 | RIGHT FAN SHIELD | 1 |
| 15 | RIV0000604 | POP RIVET | 26 | 45 | SHR0023365 | OIL COOLER SHIELD | 1 |
| 16 | GAG0082112 | GAUGE VOLTAGE METER 12V NEG | 1 | 46 | SMR1032175 | 10-32 X 1-3/4 RH MACH SCREW | 3 |
| 17 | HYD0162037 | INDICATOR - REMOTE HYDRAULIC | 1 | 47 | TEB0472110 | 10 POST TERMINAL BLOCK | 1 |
| 18 | AO00000313 | 5/16" FABRIC WIRE LOOM 70" PC | 1 | 48 | SPC0023370 | SPACER-HEAT EXCHANGER | 2 |
| 19 | AO00000313 | 5/16" FABRIC WIRE LOOM 58" PC | 1 | 49 | CLR0002094 | MOUNTING BLOCK - OIL COOLER | 4 |
| 20 | GAG0082115 | OIL TEMP GAUGE S/W82-115 | 1 | 50 | CLR21133S1 | OIL COOLER | 1 |
| 21 | NMS0000117 | 5/16" NC WHIZ NUT - PLATED | 27 | 51 | F000006675 | 12M JIC X 1M ST ADAPTER | 2 |
| 22 | MNT0023349 | OIL COOLER MOUNT | 1 | 52 | FD00018808 | HYD FLUID DECAL | 1 |
| 23 | SMS0000184 | 5/16" X 3/4" NC WHIZ BOLT-PLATED | 27 | 53 | GAG2335003 | TENSION SYS PRESSURE GUAGE F/1592 | 1 |
| 24 | NCH0000313 | 5/16" NC HEX NUT - PLATED | 8 | | HYD3409020 | STREET ELBOW 1/4 X 90 | 1 |
| 25 | WLK0000313 | 5/16" LOCKWASHER - PLATED | 8 | | CLP0411001 | NUT 5/16 U-CLIP | 1 |
| 26 | MNT0020946 | OIL COOLER FAN MOUNT | 2 | | HYD5255022 | FITTING 1/4F X 1/4M JIC SOLID STR | 1 |
| 27 | SHD0023373 | LEFT FAN SHIELD | 1 | | HOS036701A | HOSE TEN PRESSURE GAUGE | 1 |
| 28 | ZZ00000500 | 5/16" NC NUTSERT | 5 | 54 | STO0025075 | OIL COOLER/FAN SHROUD AIR STOP | 2 |
| 29 | FAN5002147 | FAN & MOTOR ASSY F/OIL COOLER | 1 | 55 | F000001441 | 1/4" X 1/8" 90° ELBOW | 1 |
| 30 | SCC0020001 | BOLT 5/16-18 X 3/4 GRD 5 HEX | 8 | 56 | F000007400 | 1/8" TUBING 72" | 1 |
| 31 | MTR5000211 | FAN MOTOR ONLY | 1 | 57 | F000007400 | 1/8" TUBING 60" | 1" |
| | | | | 58 | SMS0000177 | BOLT WHIZ 5/16" | 4 |
| | | | | 59 | NMS0000117 | NUT 5/16 NC FLG WHIZ LOCK | 2 |
| | | | | 60 | GRL0023379 | OIL COOLER GRILL | 2 |

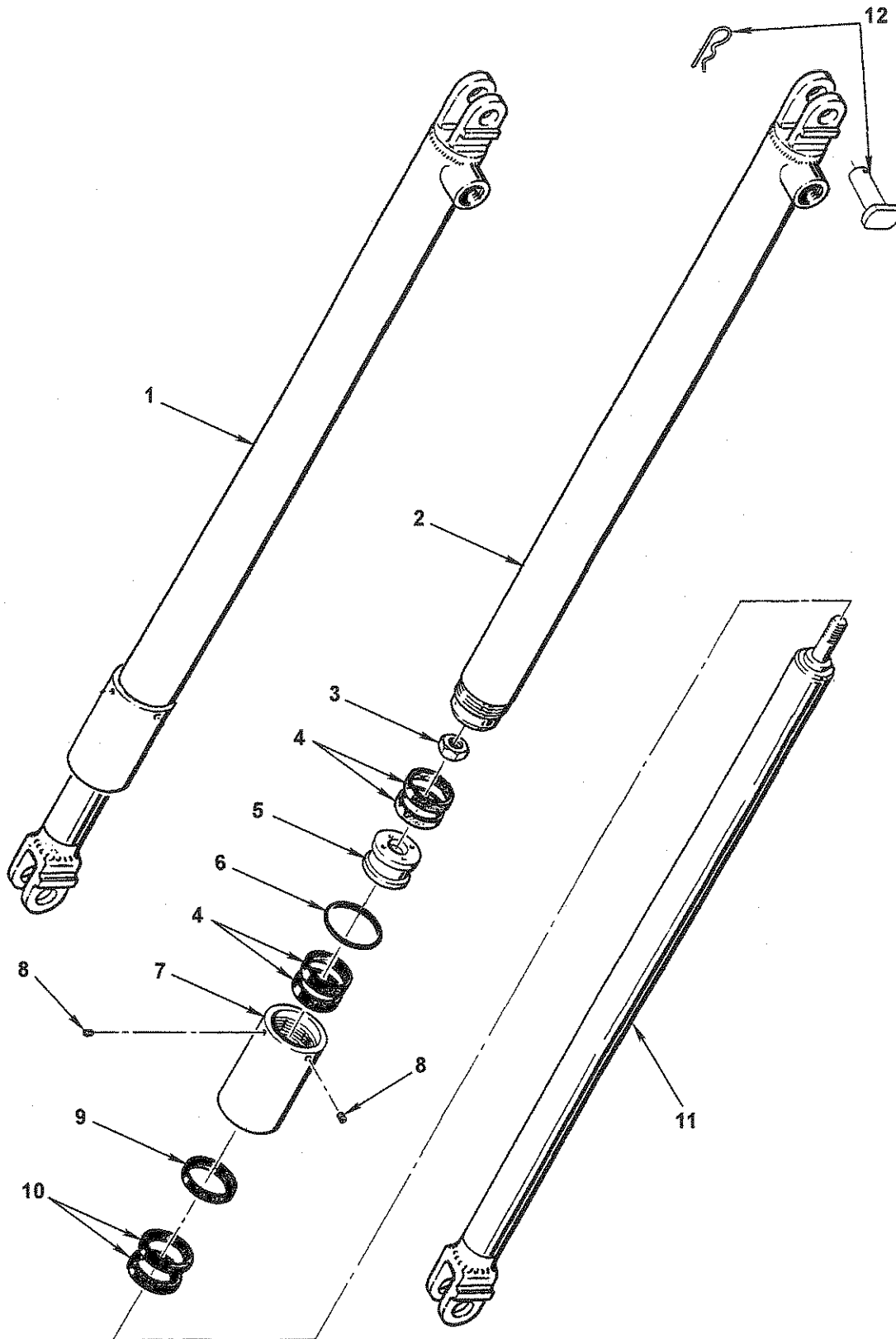
PLUNGER CYLINDER COMPONENTS



PLUNGER CYLINDER COMPONENTS

| REF NO. | PART NO. | DESCRIPTION | QTY. USED | REF NO. | PART NO. | DESCRIPTION | QTY. USED |
|---------|------------|-----------------------------------|-----------|---------|------------|--|-----------|
| 1 | NFH0012600 | 1-1/4 NF NUT HEX GRD 8 | 8 | 20 | SCC0050008 | BOLT 1/2 X 2-1/2 NC GRD 8 PLTD | 4 |
| 2 | WAS0028076 | HARDENED WASHER | 8 | 21 | FLG0001660 | 1" CODE 62 BLIND FLANGE | 1 |
| 3 | CYL0023692 | PLUNGER CYLINDER BASE | 1 | | SCC0040005 | BOLT 7/16 X 1-3/4 NC GRD 8 PLTD | 4 |
| 4 | RNG0002245 | DURO POLYURETHANE O-RING | 2 | | WLK0004375 | 7/16 MEDIUM LOCK WASHER | 4 |
| 5 | CYL0023699 | PLUNGER CYLINDER ROD NUT | 1 | | RNG0002219 | O-RING VITON 90 DURO | 1 |
| 6 | CYL0023695 | PLUNGER CYLINDER CUSHION | 2 | 22 | WAS0000104 | 1/2 FLAT WASHER | 4 |
| 7 | BRG3751125 | 3-3/4 ID X 1 X .125 HYDRO RING | 2 | 23 | CYL0023690 | PLUNGER CYLINDER HEAD | 1 |
| 8 | SPG0023737 | PLUNGER CYLINDER SPRING | 12 | 24 | CYL0023697 | PLUNGER CYL ROD PACK GLAND | 1 |
| 9 | CYL0023694 | PLUNGER CYLINDER PISTON | 1 | 25 | SEL0001182 | PLUNGER CYLINDER ROD SEAL | 1 |
| 10 | RNG0004914 | PISTON RING | 1 | 26 | FLT3125350 | 5/16 X 5/16 X 3-1/2 OD FELT RING | 1 |
| 11 | RNG0008342 | BACKUP RING | 1 | 27 | WIP0110042 | PLUNGER CYLINDER ROD WIPER | 2 |
| 12 | BRG2752125 | 2-3/4ID X 2 X .125 BUTT CUT RD BG | 2 | 28 | FLG0001501 | 1" SPLIT FLNG W/BOLT KIT & O-RING | 3 |
| 13 | ROD0023698 | PLUNGER CYLINDER ROD | 1 | | SCC0040005 | BOLT 7/16 X 1-3/4 NC GRD 8 PLTD | 12 |
| 14 | CYL0017121 | PLUNGER CYL BASE END TIE ROD | 4 | | WLK0004375 | 7/16 MEDIUM LOCK WASHER | 12 |
| 15 | CYL0023700 | PLUNGER CYLINDER BARREL | 1 | | RNG0002219 | O-RING VITON 90 DURO | 3 |
| 16 | CYL0023701 | PLUNGER CYLINDER TRUNION | 1 | 29 | RNG0023420 | O-RING VITON 90 DURO | 1 |
| 17 | SPC0023696 | PLUNGER CYL TRUNION SPACER | 2 | | CYL036792E | PLUNGER CYLINDER ASSEMBLE (INC. 1-29) | |
| 18 | RET0023770 | PLUNGER CYL GLAND RETAINER | 1 | | CYL036796E | PLUNGER CYLINDER PISTON ROD ASSY (INC. 5,6,7,8,9,10,13) | |
| 19 | CYL0017120 | PLUNGER CYL ROD END TIE ROD | 4 | | CYL036795E | PLUNGER CYLINDER ROD GLAND ASSY | |
| | | | | | SEL0001592 | SEAL KIT PLUNGER CYL (INC.4,7,10,11,12,25,26,27,29,RNG0002219) | |

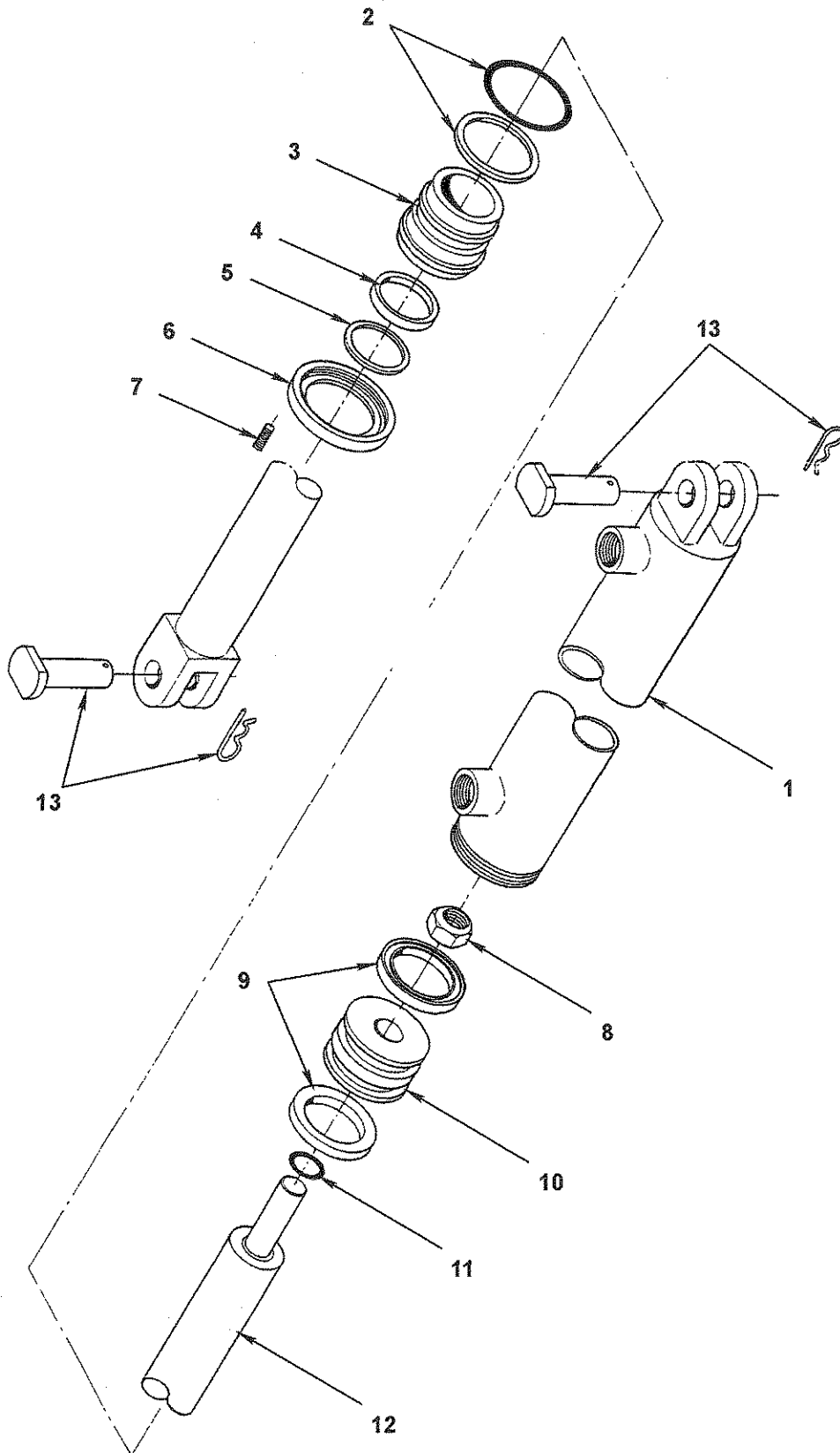
MAKE-UP CYLINDER COMPONENTS



MAKE-UP CYLINDER COMPONENTS

| REF NO. | PART NO. | DESCRIPTION | QTY. USED |
|------------|-------------|---|--------------|
| 1 | CYL0024785 | MAKE-UP CYLINDER | 2 |
| 2 | CYL0024787 | MAKE-UP CYLINDER BARREL | 1 |
| 3 | NFX0000750 | 3/4" DEFORMED HEAD NUT | 1 |
| 4 | RNG0030107 | WEAR RING | 4 |
| 5 | CYL0024789 | MAKE-UP CYLINDER PISTON | 1 |
| 6 | RNG0002230 | WEAR RING | 1 |
| 7 | CYL0024790 | MAKE-UP CYLINDER HEAD | 1 |
| 8 | STS2500250 | 1/4 X 1/4 NC SOCKET SET SCREW | 2 |
| 9 | SEL0001143 | ROD SEAL | 1 |
| 10 | WIP0110023 | ROD WIPER | 2 |
| 11 | ROD0024786 | MAKE-UP CYLINDER ROD | 1 |
| 12 | HYP FA22P | CLEVIS PIN W/COTTER PIN | 1 |
| 13 | SEL0024785 | SEAL KIT FOR CYL0024785 (INC. REF #3,4,6,9,10) | A/R |

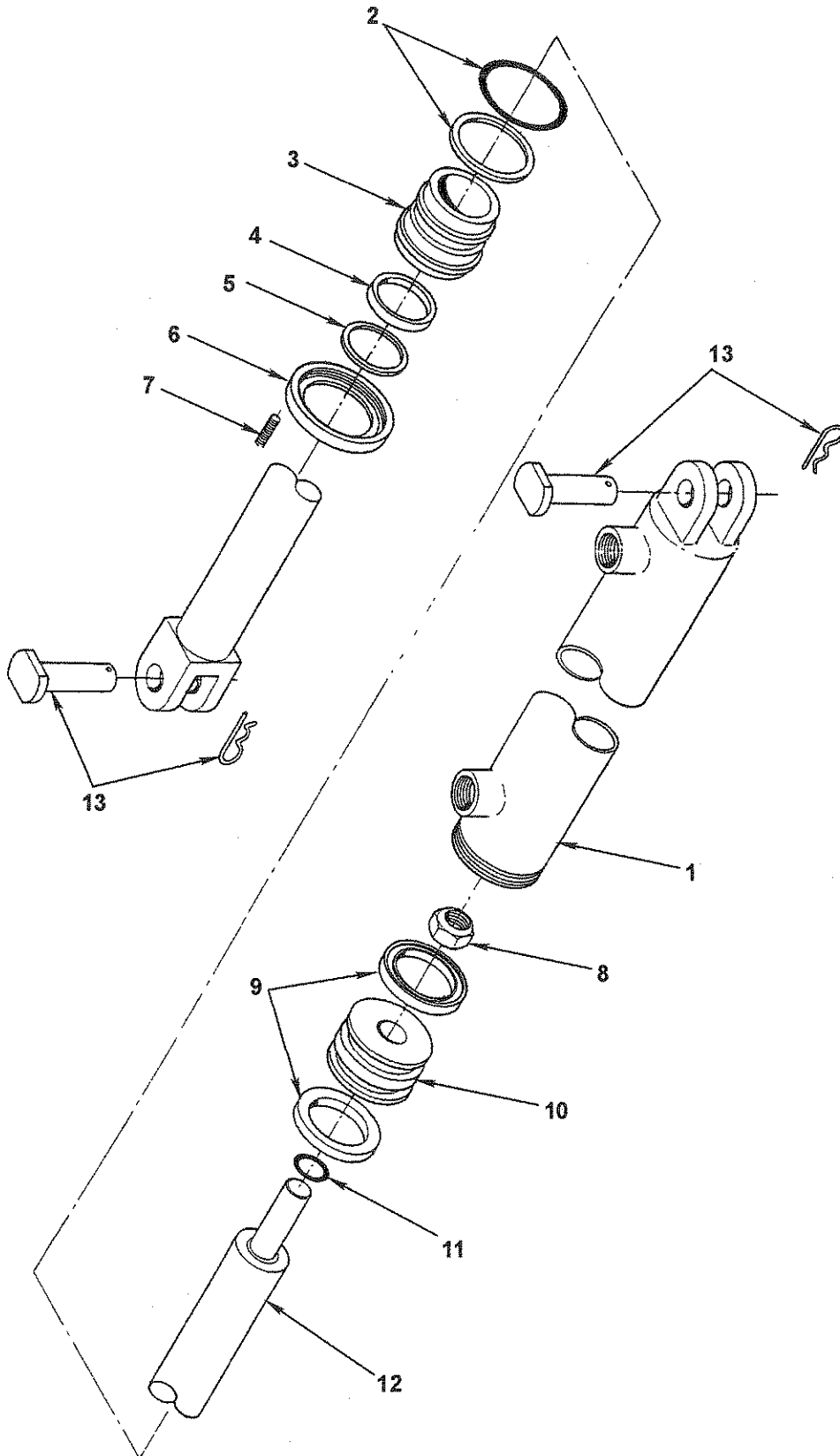
TOP AND BOTTOM TENSION CYLINDER COMPONENTS



TOP AND BOTTOM TENSION CYLINDER COMPONENTS

| REF NO. | PART NO. | DESCRIPTION | QTY. USED |
|------------|-------------|-----------------------|--------------|
| 1 | TC 000035C | TUBE ASSEMBLY | 1 |
| 2 | HYP TC35O | HEAD O-RING ASSEMBLY | 1 |
| 3 | TC 000035E | HEAD | 1 |
| 4 | TC 00035US | SHAFT PACKING | 1 |
| 5 | TC 00035RW | ROD WIPER | 1 |
| 6 | HYP00035EC | THEADED END CAP | 1 |
| 7 | TC 00035SC | SET SCREW | 1 |
| 8 | HYP TC35N | PISTON LOCK NUT | 1 |
| 9 | TC 00035VP | PISTON PACKING | 1 |
| 10 | TC 000035V | PISTON | 1 |
| 11 | TC 00035SO | SMALL O-RING | 1 |
| 12 | TC 000035S | SHAFT ASSEMBLY | 1 |
| 13 | TC 000035P | CLEVIS PIN | 1 |
| | SELOT3516 | SEAL KIT F/CYL0TC3516 | A/R |

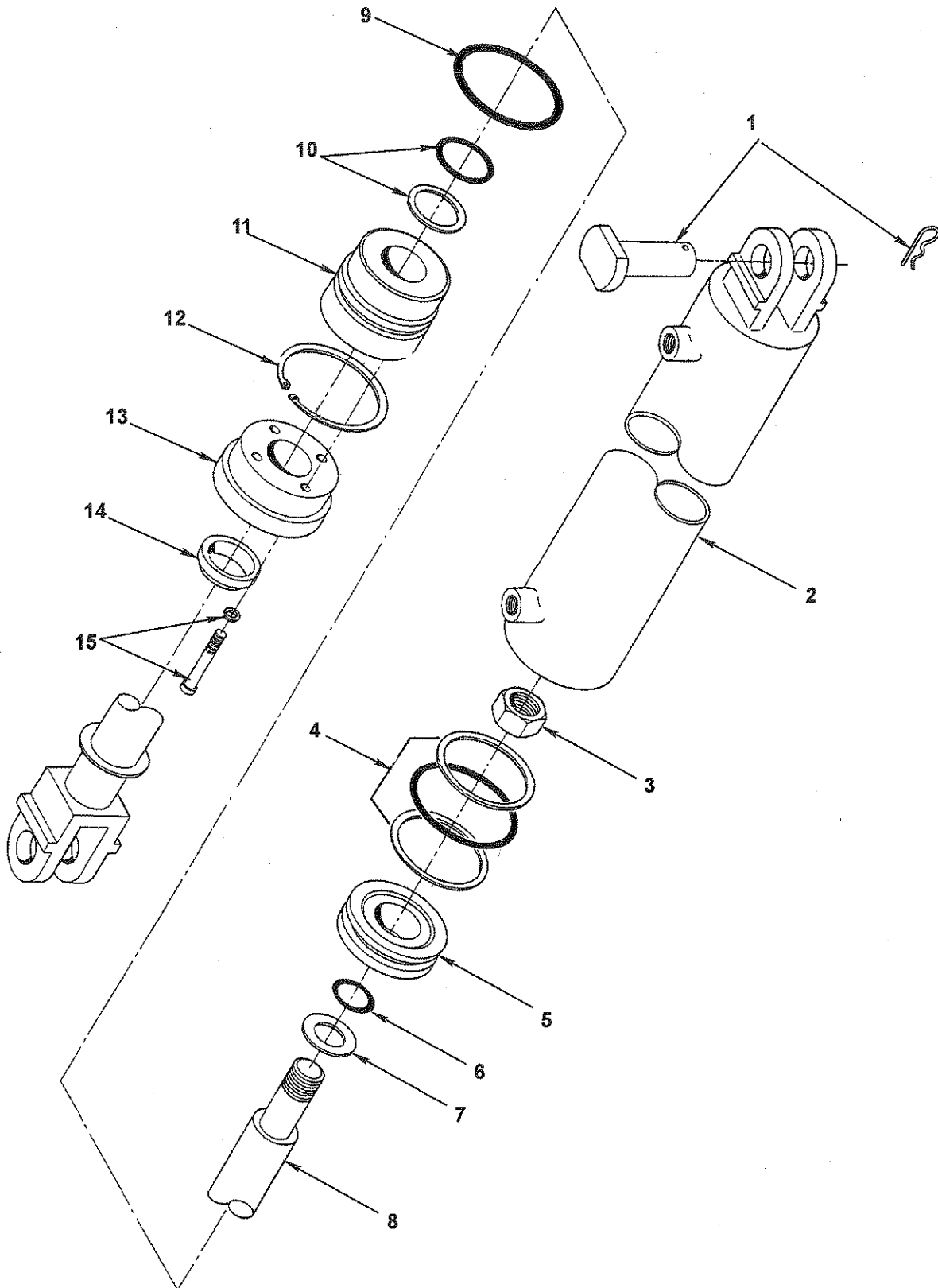
SIDE TENSION CYLINDER COMPONENTS



SIDE TENSION CYLINDER COMPONENTS

| REF NO. | PART NO. | DESCRIPTION | QTY. USED |
|------------|-------------|-----------------------------------|--------------|
| 1 | TC 00004C | TUBE ASSEMBLY | 1 |
| 2 | TC 00004O | HEAD O-RING ASSEMBLY | 1 |
| 3 | TC 00004E | HEAD | 1 |
| 4 | TC 00004US | SHAFT PACKING | 1 |
| 5 | TC 00004RW | ROD WIPER | 1 |
| 6 | HYD0004EC | THREADED END CAP | 1 |
| 7 | TC 00004SC | SET SCREW | 1 |
| 8 | HYD000TC4N | PISTON LOCK NUT | 1 |
| 9 | TC 00004UP | PISTON PACKING (SET) | 1 |
| 10 | TC 00004V | PISTON | 1 |
| 11 | TC 00004SO | SMALL O-RING | 1 |
| 12 | HYD000TC4S | SHAFT ASSEMBLY | 1 |
| 13 | HYP TC4P | CLEVIS PIN | 2 |
| | SEL0000KT4 | SEAL KIT (INC. REF. 2,4,5,9 & 11) | A/R |

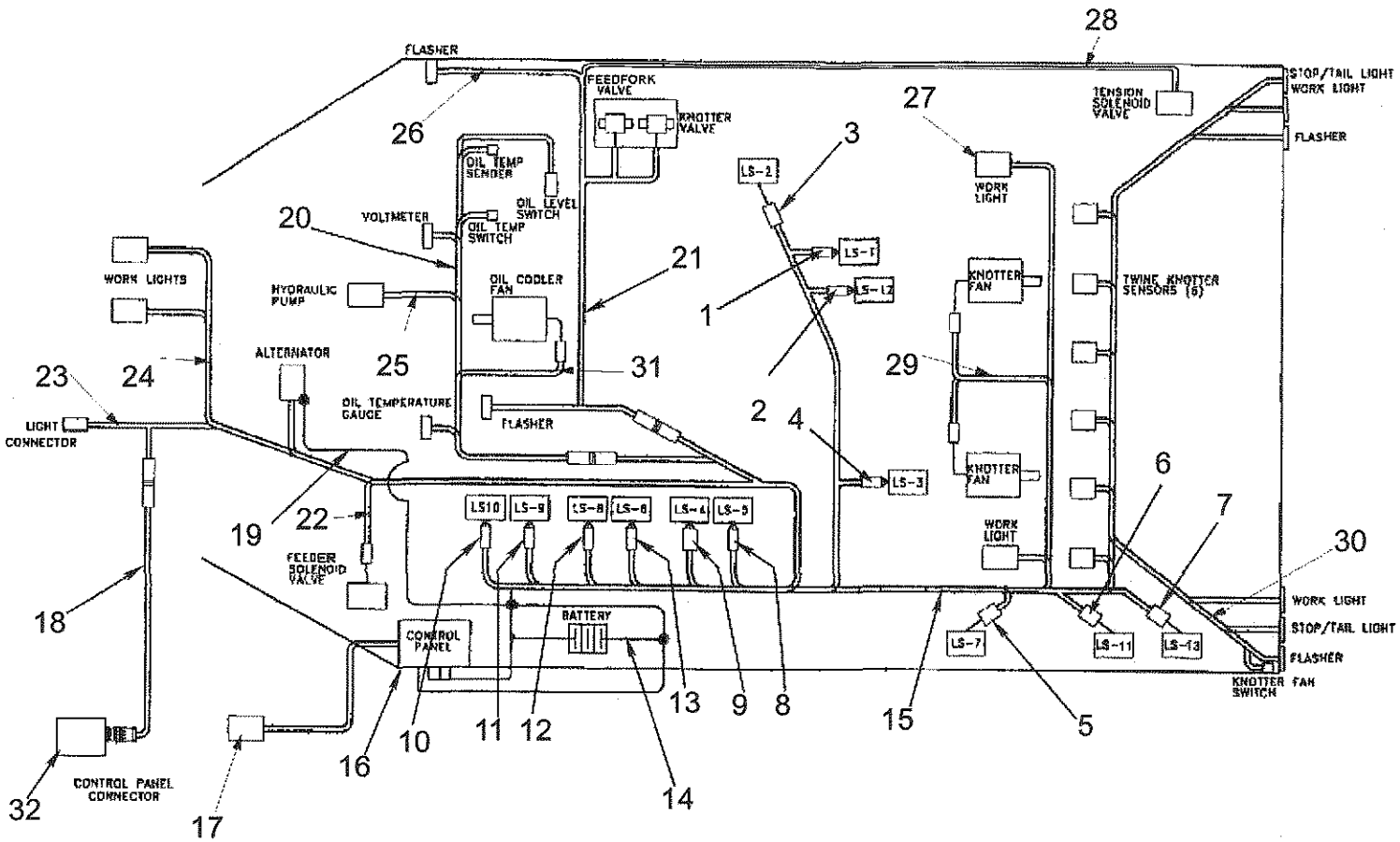
PICKUP LIFT CYLINDER COMPONENTS



PICKUP LIFT CYLINDER COMPONENTS

| REF NO. | PART NO. | DESCRIPTION | QTY. USED |
|------------|-------------|--------------------------------|--------------|
| 1 | HYP000FA2P | CLEVIS PIN | 2 |
| 2 | HYP0FA25-C | TUBE ASSEMBLY | 1 |
| 3 | HYP000FA2N | PISTON LOCK NUT | 1 |
| 4 | HYP00FA2PO | PISTON O-RING ASSEMBLY | 1 |
| 5 | HYP000FA2V | PISTON | 1 |
| 6 | HYP00FA2SO | SMALL O-RING | 1 |
| 7 | HYP000FA2M | STEEL WASHER | 1 |
| 8 | HYP0FA25-S | SHAFT ASSEMBLY | 1 |
| 9 | HYP000FA2O | O-RING | 1 |
| 10 | HYO00FA2US | SHAFT PACKING (SET) | 1 |
| 11 | HYP000FA2E | PISTON HEAD | 1 |
| 12 | HYP00FA2LR | HEAD LOCKING RING | 1 |
| 13 | HYP000FA2G | PACKING GLAND | 1 |
| 14 | HYP00FA2RW | ROD WIPER | 1 |
| 15 | SCS1024075 | 10-24 X 3/4 NC SOC. HD CS | 4 |
| | HYP000FA2T | PACKING GLAND BOLT W/LKWSR | 4 |
| | SEL0001505 | SEAL KIT F/CYL0000205 | A/R |
| | CYL0000205 | PICK-UP LIFT CYLINDER COMPLETE | |

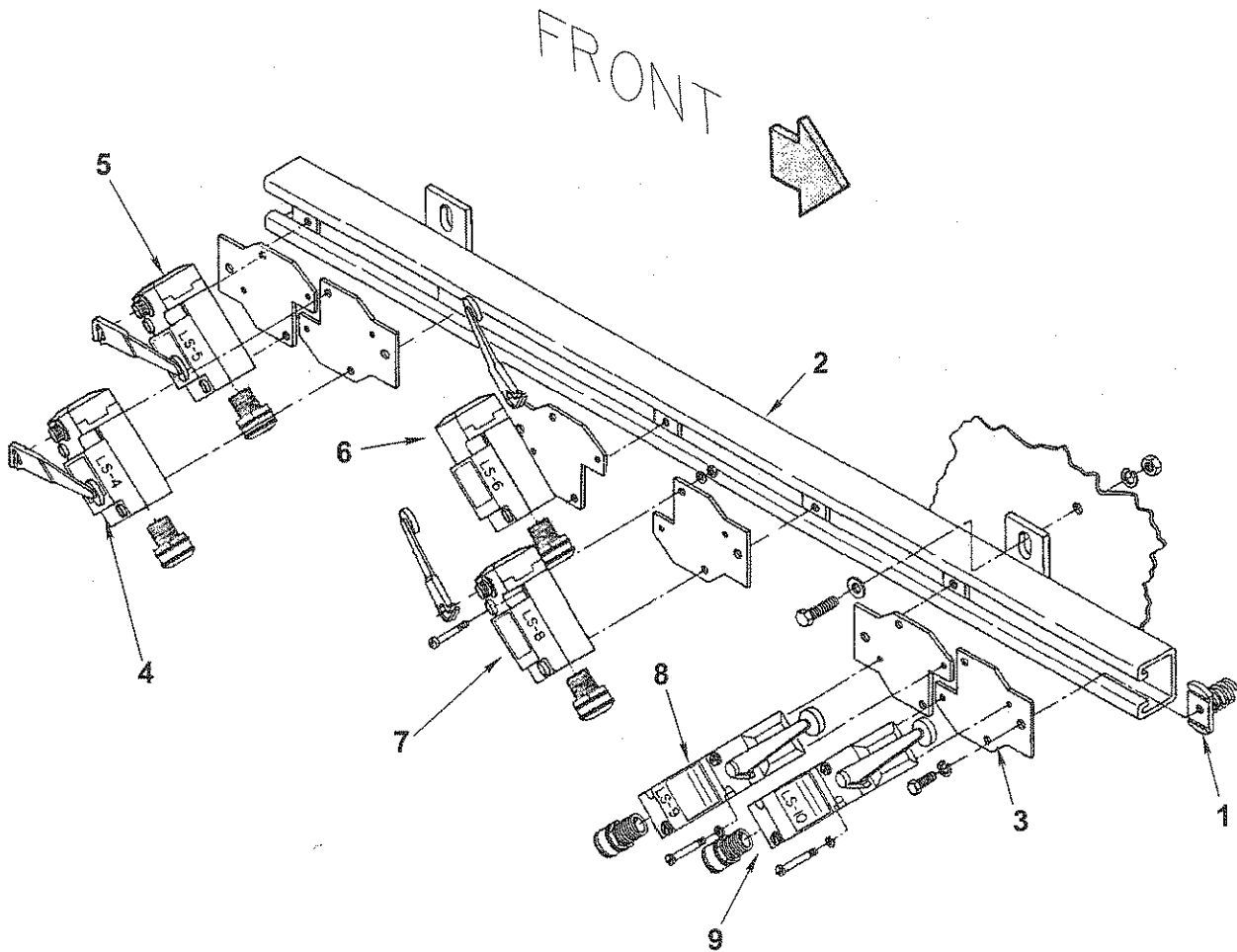
WIRE HARNESS LOCATIONS



WIRE HARNESS LOCATIONS

| REF NO. | PART NO. | DESCRIPTION | QTY. USED | REF NO. | PART NO. | DESCRIPTION | QTY. USED |
|---------|------------|-----------------------------------|-----------|---------|------------|-----------------------------------|-----------|
| 1 | SWI037701D | ASSY,SWITCH ; LS-1, | 1 | 11 | SWI037710B | ASSY,SWITCH ; LS-10, | 1 |
| | SWI0CH5081 | LIMIT SWITCH -8 POST | 1 | | SWI0CH5079 | LIMIT SWITCH -4 POST | 1 |
| | HRN0017866 | WIRE HARN-5COND. LS-1 TO JB-2 | 1 | | HRN0017620 | WIR HRN-2CND LS5,9&10 TO TB1&2 | 1 |
| | CNR0000195 | 1/2 CORD CONNECTOR (.500-.625)F2 | 1 | | CNR0000193 | 1/2" CORD CONNECTOR (.250-.375)F2 | 1 |
| | ARM0CH5084 | 3" LEVER ARM W/3/4" ROLLER | 1 | | ARM0CH5084 | 3" LEVER ARM W/3/4" ROLLER | 1 |
| 2 | SWI037712D | ASSY, SWITCH ; LS-12, | 1 | 12 | SWI037708B | ASSY,SWITCH ; LS-8, | 1 |
| | SWI0CH5081 | LIMIT SWITCH -8 POST | 1 | | SWI0CH5079 | LIMIT SWITCH -4 POST | 1 |
| | HRN0017870 | WIRE HARN-3COND. LS-12 TO JB-2 | 1 | | HRN0017868 | WIRE HARNESS LS-8 | 1 |
| | CNR0000194 | 1/2 CORD CONNECTOR(.375-.500) | 1 | | CNR0000193 | 1/2" CORD CONNECTOR (.250-.375)F2 | 1 |
| | ARM0CH5084 | 3" LEVER ARM W/3/4" ROLLER | 1 | | ARM0CH5084 | 3" LEVER ARM W/3/4" ROLLER | 1 |
| 3 | SWI037702B | ASSY,SWITCH ; LS-2, | 1 | 13 | SWI037706B | ASSY,SWITCH ; LS-6, | 1 |
| | SWI0CH5079 | LIMIT SWITCH -4 POST | 1 | | SWI0CH5079 | LIMIT SWITCH -4 POST | 1 |
| | HRN0017867 | WIRE HARN-2 COND. LS-2 TO JB-2 | 1 | | HRN0017621 | WIRE HARN-2COND. LS-6 TO TB-3 | 1 |
| | CNR0000193 | 1/2" CORD CONNECTOR (.250-.375)F2 | 1 | | CNR0000193 | 1/2" CORD CONNECTOR (.250-.375)F2 | 1 |
| | ARM0CH5084 | 3" LEVER ARM W/3/4" ROLLER | 1 | | ARM0CH5084 | 3" LEVER ARM W/3/4" ROLLER | 1 |
| 4 | SWI037703B | ASSY, SWITCH ; LS-3, | 1 | 14 | HRN0018301 | WIRE HARN-BATTERY GROUND STRAP | 1 |
| | SWI0CH5079 | LIMIT SWITCH -4 POST | 1 | 15 | HRN036217D | JB-2 TO MAIN CONT. BOX WIRE HARN | 1 |
| | HRN0017598 | WIRE HARN-2COND. LS-3 TO JB-2 | 1 | 16 | PNL036045E | MAIN CONTROL PANEL | 1 |
| | CNR0000193 | 1/2" CORD CONNECTOR (.250-.375)F2 | 1 | 17 | BOX0035238 | DIAGNOSTIC CONTROLLER BOX ASSY | 1 |
| | ARM0CH5001 | 1-1/2" LEVER ARM W/3/4" ROLLER | 1 | 18 | HRN036181B | DRAWBAR TO MAIN CONT. | 1 |
| 5 | SWI037707B | ASSY,SWITCH ; LS-7, | 1 | 19 | HRN036644D | ALTERNATOR TO TB-4 & BAT | 1 |
| | SWI0CH5079 | LIMIT SWITCH -4 POST | 1 | 20 | HRN036134E | GAUGE PANEL / JB-4 WIRE HARNESS | 1 |
| | HRN0024697 | WIRING HARNESS LS-7 TO JB-2 | 1 | 21 | HRN0026051 | 40 AMP CB TO BATTERY WIRNG HRN | 1 |
| | CNR0000193 | 1/2" CORD CONNECTOR (.250-.375)F2 | 1 | 22 | HRN036157B | HARNESS, FEEDER VALVE | 1 |
| | ARM0CH5084 | 3" LEVER ARM W/3/4" ROLLER | 1 | 23 | HRN036152D | JB-5 TO 7 POLE CONN. WIRE HARNESS | 1 |
| 6 | SWI037711D | ASSY,SWITCH; LS-11, | 1 | 24 | HRN0021076 | WIRING HARN P/U WORK LIGHT | 1 |
| | SWI0CH5081 | LIMIT SWITCH -8 POST | 1 | 25 | HRN0031170 | SERVO-CONTROLLER WIRING HARN | 1 |
| | HRN0023512 | WIRE HARNESS LS-11 TO CONTL BX | 1 | 26 | HRN0017874 | FRT. AMB. WARNING LIGHT HRNESS | 1 |
| | CNR0000195 | 1/2 CORD CONNECTOR (.500-.625)F2 | 1 | 27 | HRN0029820 | WIRE HRN KNT WORK LIGHT-AF/95 | 1 |
| | ARM0CH5001 | 1-1/2" LEVER ARM W/3/4" ROLLER | 1 | 28 | HRN036244B | TENSION CONT SOLENOID VLV HARN | 1 |
| 7 | SWI037713D | SWITCH ASSY,LS-13 | 1 | 29 | HRN0023514 | HARN KNT FAN SWI TO JUNC BLK | 1 |
| | SWI0CH5079 | LIMIT SWITCH -4 POST | 1 | 30 | HRN0023542 | STOP/TAIL LIGHT HARNESS | 1 |
| | HRN0036239 | LS-13 SWITCH HARNESS TO JOB2 | 1 | 31 | HRN0024702 | WIRING HARN FAN RELAY TO MOTOR | 1 |
| | CNR0000194 | 1/2 CORD CONNECTOR(.375-.500) | 1 | 32 | BOX036467E | TRACTOR REMOTE CONTROL | 1 |
| | ARM0CH5084 | 3" LEVER ARM W/3/4" ROLLER | 1 | | | | |
| 8 | SWI037705B | ASSY,SWITCH ; LS-5, | 1 | | | | |
| | SWI0CH5079 | LIMIT SWITCH -4 POST | 1 | | | | |
| | HRN0017620 | WIR HRN-2CND LS5,9&10 TO TB1&2 | 1 | | | | |
| | CNR0000193 | 1/2" CORD CONNECTOR (.250-.375)F2 | 1 | | | | |
| | ARM0CH5084 | 3" LEVER ARM W/3/4" ROLLER | 1 | | | | |
| 9 | SWI037704D | ASSY, SWITCH ; LS-4, | 1 | | | | |
| | SWI0CH5081 | LIMIT SWITCH -8 POST | 1 | | | | |
| | HRN0017641 | LS-4 SWI HARNESS TO MAIN CON BOX | 1 | | | | |
| | CNR0000195 | 1/2 CORD CONNECTOR (.500-.625)F2 | 1 | | | | |
| | ARM0CH5084 | 3" LEVER ARM W/3/4" ROLLER | 1 | | | | |
| 10 | SWI037709B | ASSY,SWITCH ; LS-9, | 1 | | | | |
| | SWI0CH5079 | LIMIT SWITCH -4 POST | 1 | | | | |
| | HRN0017620 | WIR HRN-2CND LS5,9&10 TO TB1&2 | 1 | | | | |
| | CNR0000193 | 1/2" CORD CONNECTOR (.250-.375)F2 | 1 | | | | |
| | ARM0CH5084 | 3" LEVER ARM W/3/4" ROLLER | 1 | | | | |

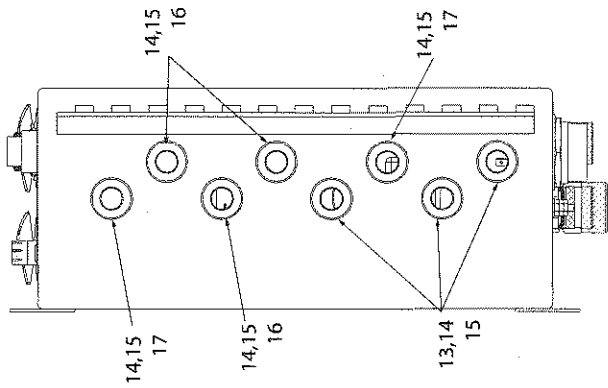
PLUNGER LIMIT SWITCHES ASSEMBLY



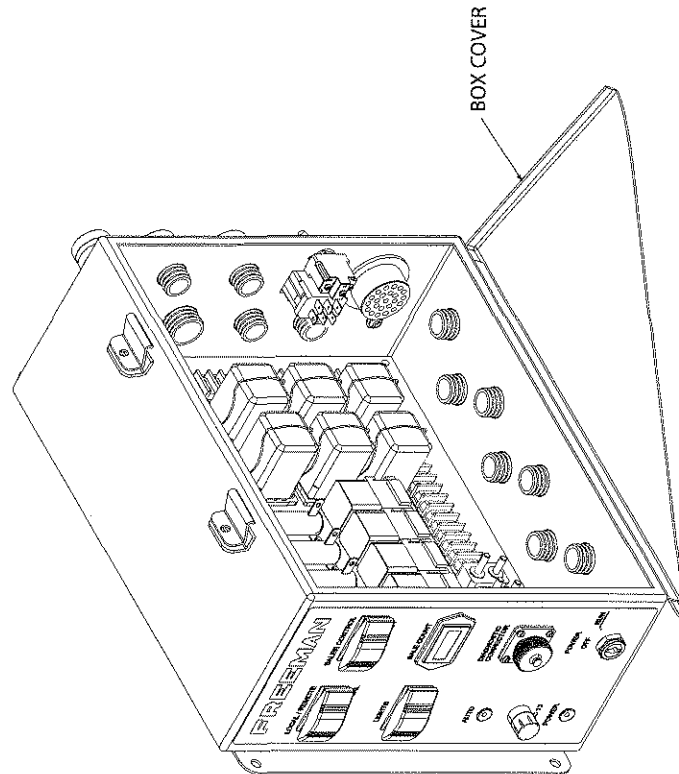
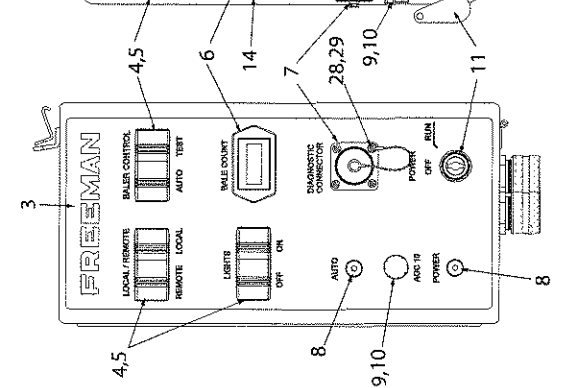
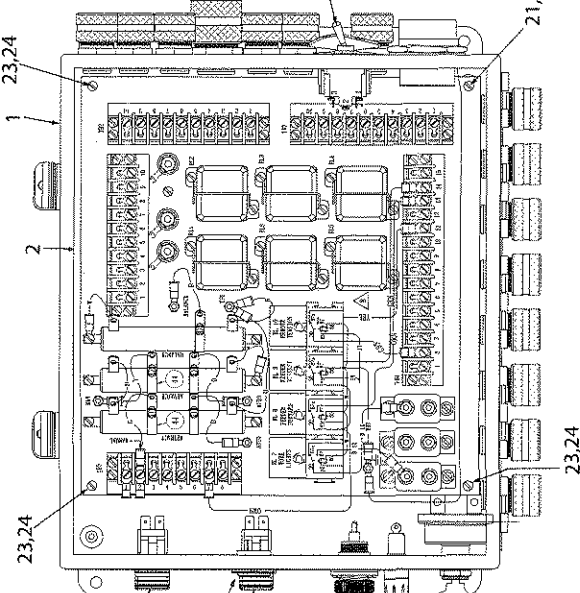
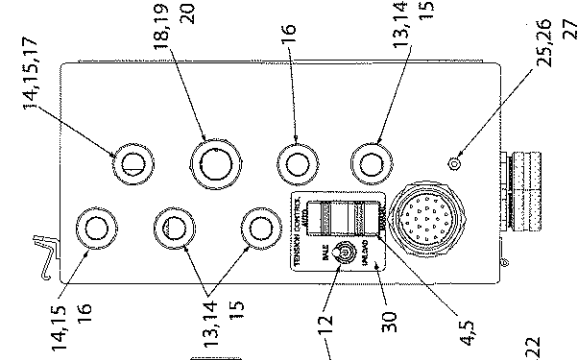
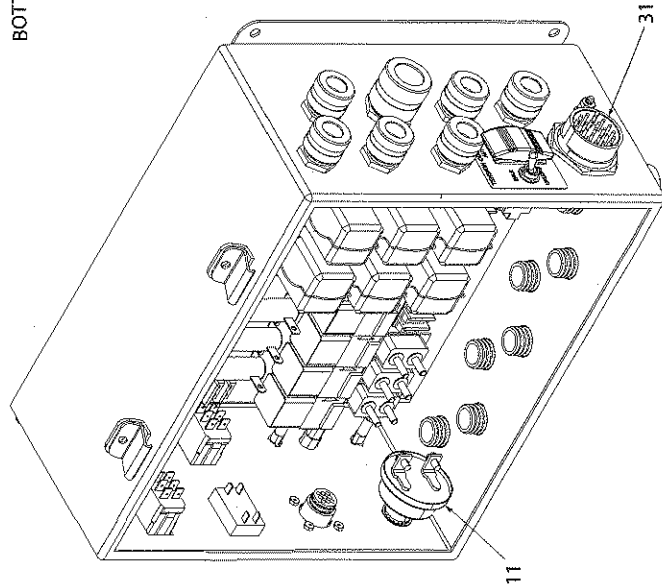
PLUNGER LIMIT SWITCHES ASSEMBLY

| REF NO. | PART NO. | DESCRIPTION | QTY. USED |
|------------|-------------|----------------------------------|--------------|
| 1 | NMS0001007 | NUT UNISTRUT | 6 |
| 2 | MNT0015827 | PLGR SWITCH MTG CHNL ASB | 1 |
| | WLK0000313 | WASHER MED. LOCK 5/16 PLTD | 4 |
| | NCH0000313 | NUT 5/16 NC HEX | 4 |
| | SCC0020002 | BOLT 5/16-18 X 1 GRD 5 HEX | 4 |
| | WCT0000313 | 5/16 FLAT WASHER, PLATED | 4 |
| 3 | MNT0015823 | PLUNGER SWITCH MOUNT | 6 |
| | WLK0000313 | WASHER MED. LOCK 5/16 PLTD | 6 |
| | SCC0020001 | BOLT 5/16-18 X 3/4 GRD 5 HEX | 6 |
| 4 | SWI037704D | ASSY, SWITCH ; LS-4, | 5 |
| | SWIOCH5079 | SWITCH LIMIT 4 POSITION | 5 |
| 5 | SWI037705B | ASSY,SWITCH ; B; LS-2, | 6 |
| | ARM0CH5084 | 3"LEVER ARM W/3/4"ROLLER | 6 |
| 6 | SWI037706B | ASSY,SWITCH ;B; LS-6, | 6 |
| | CNR0000193 | 1/2 STRAIN RELIEF CONNECTOR | 6 |
| | SMR1032150 | MACH.SCREW 10-32 X 1-1/2 RH PLTD | 12 |
| | WLK0000100 | LOCKWASER #10 PLATED | 12 |
| | NFH0001032 | NUT 10-32 NF HEX | 12 |
| 7 | SWI037708B | ASSY,SWITCH ; LS-8, | 1 |
| | SWIOCH5081 | SWITCH, LIMIT 8 POSITION | 1 |
| 8 | SWI037709B | ASSY,SWITCH ; LS-9, | 1 |
| 9 | SWI037710B | ASSY,SWITCH ; LS-10, | 1 |

CONTROL PANEL ASSEMBLY



BOTTOM VIEW

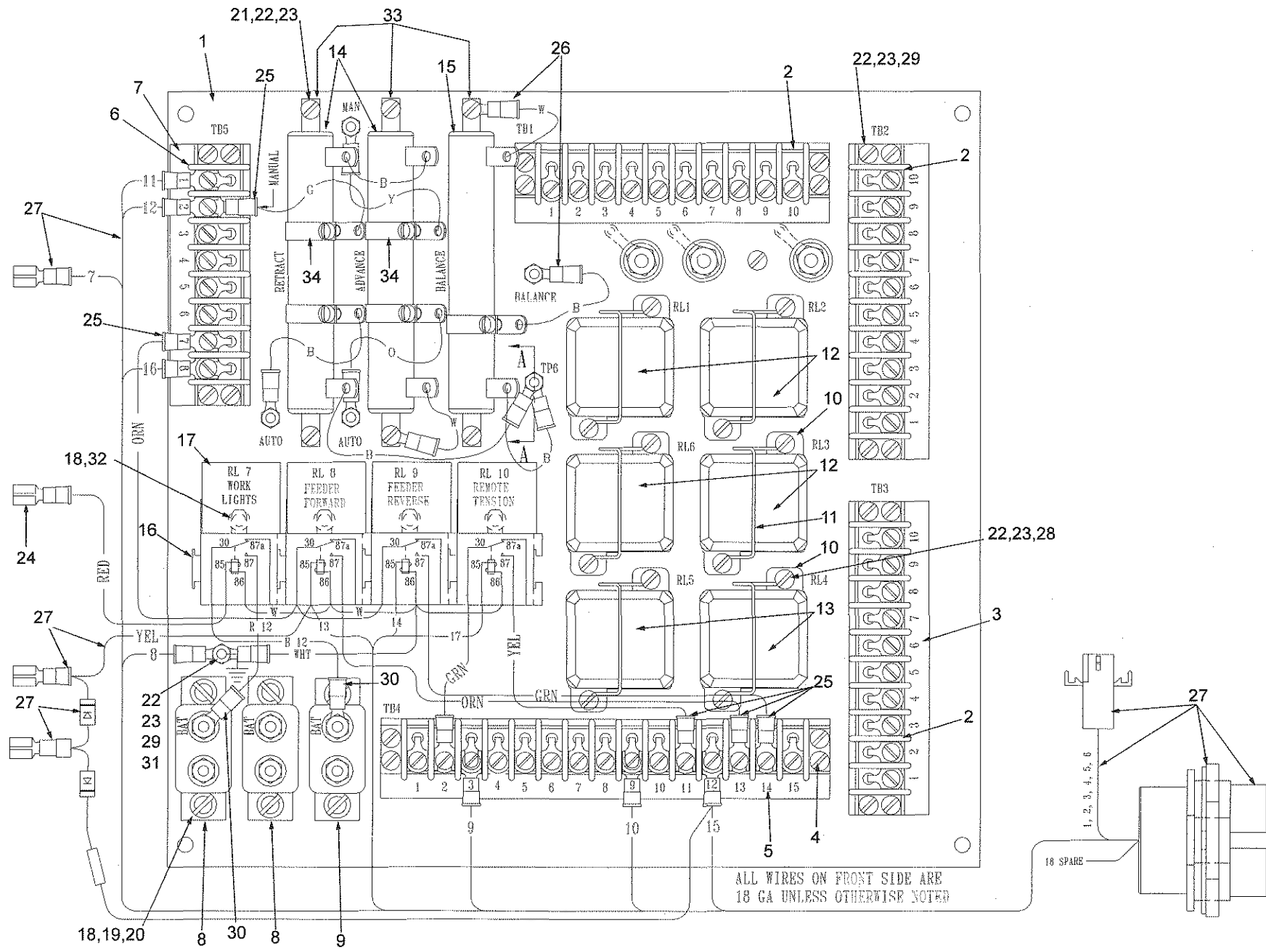


BOX COVER

CONTROL PANEL ASSEMBLY

| REF NO. | PART NO. | DESCRIPTION | QTY. USED | REF NO. | PART NO. | DESCRIPTION | QTY. USED |
|---------|------------|----------------------------------|-----------|---------|------------|-----------------------------------|-----------|
| | 900416 | MAIN CONTROL BOX ASSY | | 15 | RNG0005262 | SEALING RING, 1/2 | 14 |
| 1 | BOX036048E | MAIN CONTROL BOX | 1 | 16 | 220577 | CORD CONNECTOR, 3/8-1/2, 1/2 NPT | 4 |
| 2 | PNL036047E | CONTROL PANEL ASSY | 1 | 17 | CNR0000195 | CORD CONNECTOR, 1/2-5/8, 1/2 NPT | 4 |
| 3 | FD0036049E | MAIN GRAPHIC OVERLAY | 1 | 18 | CNR0000297 | CORD CONNECTOR, 3/4-7/8, 3/4 NPT | 1 |
| 4 | SWI0000003 | ROCKER SWITCH, 2 POS. MAINT | 4 | 19 | CNR0000297 | CONDUIT LOCKNUT, 3/4 NPT | 1 |
| 5 | GSK0000001 | GASKET-PANEL SWITCH SEAL | 4 | 20 | 231044 | SEALING RING, 3/4 | 1 |
| 6 | BCO0001131 | COUNTER, LCD, 12V, RESETTABLE | 1 | 21 | SMR1032175 | MACHINE SCREW, #10-32 X 1 3/4, RH | 2 |
| 7 | HRN036158B | DIAGNOSTIC CONTROL REC HARNESS | 1 | 22 | SPC036111A | CONTROL PANEL SPACER | 2 |
| 8 | LITXVLA124 | LED INDICATOR LAMP, 12 VDC | 2 | 23 | SPC036086A | CONTROL PANEL SPACER | 2 |
| 9 | FUS0000025 | FUSE HOLDER, 30 AMP | 1 | 24 | SMR1032038 | MACHINE SCREW, #10-32 X 3/8, RH | 4 |
| 10 | FUS0000036 | FUSE, AGC, 10 AMP | 1 | 25 | WIS0001000 | LOCK WASHER, INTERNAL STAR, #10 | 8 |
| 11 | SWI0005091 | KEYSWITCH START AT ASC-1592-001 | 1 | 26 | 00100766 | MACHINE SCREW, #10-32 X 3/4, RH | 1 |
| | SWI0000100 | KEYSWITCH JAF 1592-635 & BEFORE | 1 | 27 | 220044 | HEX NUT, #10-32 | 3 |
| | KEY0000010 | KEY FOR SWI0000100 PAIR OF 2 | 1 | 28 | SMR4405000 | MACHINE SCREW, RH, #4-40 X 1/2 | 4 |
| 12 | SWI00VDD1S | TOGGLE SWITCH | 1 | 29 | 236770 | ESNA NUT, #4-40 NC | 4 |
| 13 | CNR0000193 | CORD CONNECTOR, 1/4-3/8, 1/2 NPT | 6 | 30 | 900408 | TENSION CONTROL OVERLAY | 1 |
| 14 | NMS0000150 | CONDUIT LOCKNUT, 1/2 NPT | 14 | 31 | HRN0361350 | 1/2 CORD CONNECTOR(.375-.500) | 1 |

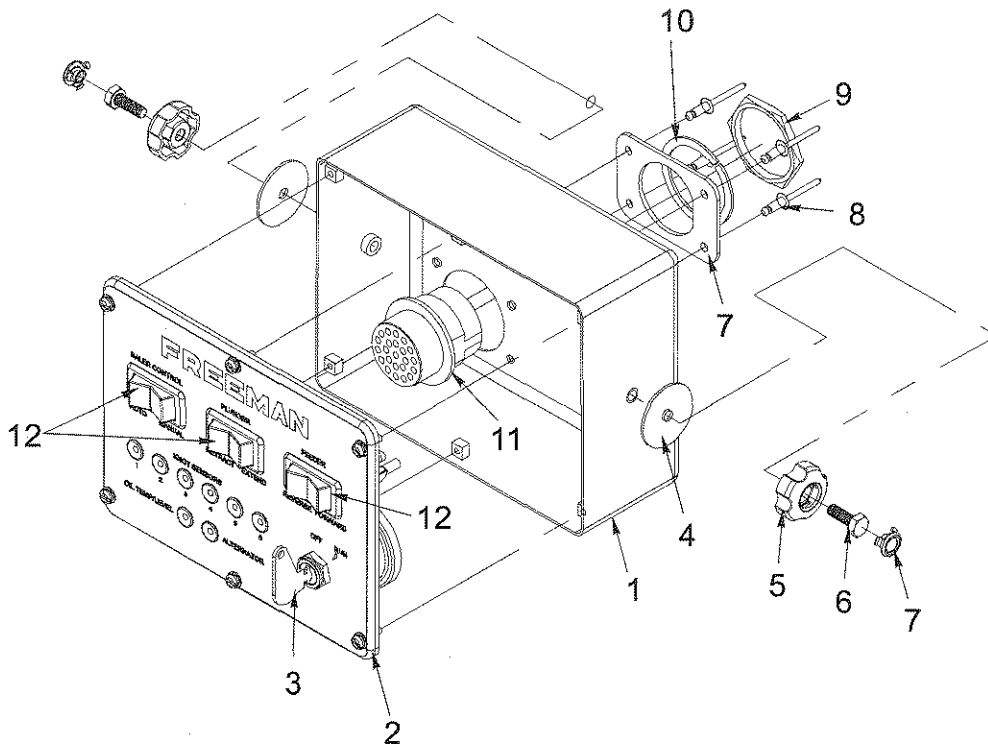
CONTROL PANEL ASSEMBLY CONTINUED



CONTROL PANEL ASSEMBLY CONTINUED

| REF NO. | PART NO. | DESCRIPTION | QTY. USED |
|------------|-------------|--------------------------------|--------------|
| 1 | PNL036045E | MAIN CONTROL PANEL | 1 |
| 2 | BAB010140Y | BARRIER BLOCK, 10 POSITION | 3 |
| 3 | MSR0010140 | MARKER STRIP 10 POSITION | 3 |
| 4 | BAB015140Y | BARRIER BLOCK, 15 POSITION | 1 |
| 5 | MSR015140Y | MARKER STRIP 15 POSITION | 1 |
| 6 | BAB008140Y | BARRIER BLOCK, 8 POSITION | 1 |
| 7 | MSR008140Y | MARKER STRIP 8 POSITION | 1 |
| 8 | CBK0014530 | CIRCUIT BREAKER 30 A, TYPE II | 2 |
| 9 | CBK0014540 | CIRCUIT BREAKER 40 A, TYPE II | 1 |
| 10 | SOK2031181 | RELAY SOCKET | 6 |
| 11 | SPG2090200 | RELAY HOLD DOWN SPRING | 6 |
| 12 | REL0253781 | RELAY DPDT MAG LATCH, 12VDC | 4 |
| 13 | 252510 | RELAY 3PDT, 12 VDC | 2 |
| 14 | RES0045019 | RESISTOR 100 OHM 50 W, | 2 |
| 15 | RES0045022 | RESISTOR 200 OHM 50 W, | 2 |
| 16 | REL0001002 | RELAY SOCKET | 4 |
| 17 | REL5058963 | RELAY, SPDT 40 AMP 12 VDC | 4 |
| 18 | SMR1032500 | MACHINE SCREW, RH 10-32 X 1/2 | 7 |
| 19 | WIS0001000 | WASHER #10 INTERNAL STAR | 6 |
| 20 | NFH0001032 | HEX NUT 10-32 | 6 |
| 21 | SMR6320375 | MACHINE SCREW, RH 6-32 X 3/8 | 6 |
| 22 | WIS0000600 | WASHER #6 INTERNAL STAR | 44 |
| 23 | NCH0006320 | HEX NUT 6-32 | 56 |
| 24 | TER0493216 | TERM, Q/S, .250, F, 18/22 GA | 1 |
| 25 | TER0490616 | TERM, SPADE, #6 STUD, 22-18 GA | 6 |
| 26 | TER0490621 | TERM, RING, #6 STUD, 22-18 GA | 9 |
| 27 | HRN036135D | REMOTE HARNESS RECEPTACLE ASSY | 1 |
| 28 | SMR6320500 | MACHINE SCREW, RH 6-32 X 1/2 | 12 |
| 29 | SMR6320625 | MACHINE SCREW, RH 6-32 X 5/8 | 21 |
| 30 | TER0630619 | TERM, RING, #10 STUD, 12-10 GA | 2 |
| 31 | TER0000099 | SOLDER LUG, #6 STUD | 8 |
| 32 | NST0001032 | NUTSERT, 10-32 | 4 |
| 33 | BKT0001398 | RESISTOR MOUNT, OHMITE #9 | 6 |

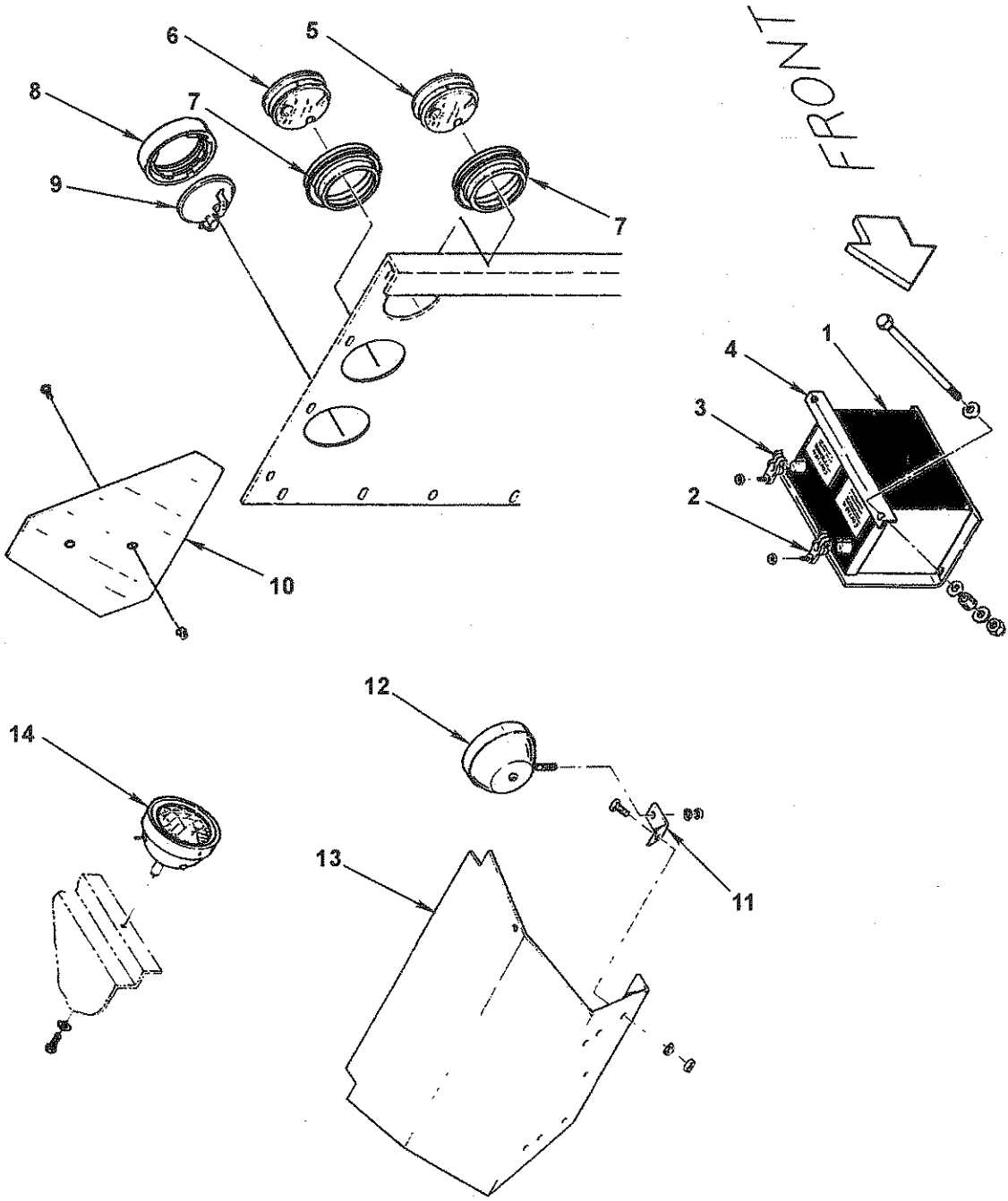
REMOTE CONTROL ASSEMBLY



REMOTE CONTROL ASSEMBLY

| REF NO. | PART NO. | DESCRIPTION | QTY. USED |
|------------|-------------|---------------------------------|--------------|
| | BOX036467E | TRACTOR REMOTE CONTROL ASSEMBLY | |
| 1 | DRW036468E | RAW BOX-TRACTOR REMOTE | 1 |
| 2 | CVR036039E | REMOTE CONTROLLER COVER | 1 |
| 3 | SWI0005091 | SWITCH, ON/OFF | 1 |
| 4 | WAS5613062 | WASHER | 2 |
| 5 | KOB0000102 | REMOTE BOX MOUNTING KNOB- | 2 |
| 6 | R13810814 | CAPSCREW | 2 |
| 7 | PLT0035716 | REMOTE CONTROLLER ELECTRONICS | 1 |
| 8 | RIV0000604 | RIVET | 4 |
| 9 | R740836 | NUT | 1 |
| 10 | WLK0000300 | WASHER, LOCK | 1 |
| 11 | SOK0000014 | RECEPTACLE,CONNECTOR | 1 |
| 12 | SWI0000007 | SWITCH, ROCKER | 3 |

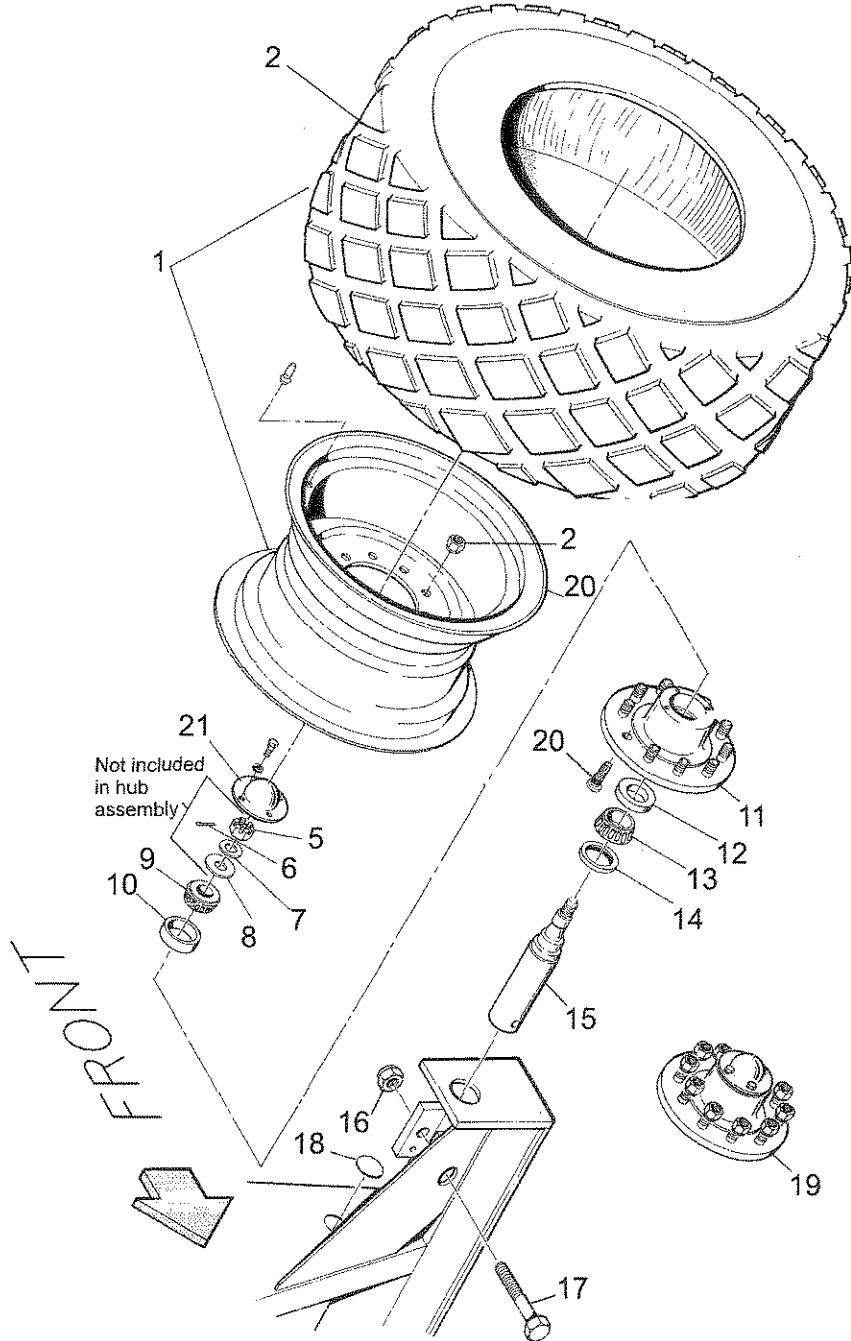
BATTERY AND LIGHTS ASSEMBLY



BATTERY AND LIGHTS ASSEMBLY

| REF NO. | PART NO. | DESCRIPTION | QTY. USED | REF NO. | PART NO. | DESCRIPTION | QTY. USED |
|---------|------------|----------------------------------|-----------|---------|------------|---------------------------------|-----------|
| 1 | BAT0240060 | BATTERY-12V GROUP 24-DRY CHARG | 1 | 9 | LIT7072901 | LIGHT SEALED BEAM 12 VOLT | 2 |
| | F 0006551 | BOLT 3/8 NC X 12 GRD 5 HEX PLTD | 2 | 10 | SGN0024006 | SIGN #2 SMV PLASTIC | 1 |
| | WCT0000375 | WASHER 3/8 FLAT | 6 | | NMS0000117 | NUT 5/16 NC FLG WHIZ LOCK | 1 |
| | F 0006328 | GROMMET-BATTERY HOLD DOWN | 2 | | SMS0000177 | BOLT 5/16-18 X FLG WHIZ PLATED | 1 |
| | NCE0000375 | LOCKNUT 3/8 NC NYLON INSERT PLTD | 2 | 11 | BKT0016005 | FRONT WORK LIGHT BRACKET | 2 |
| 2 | BAT0000038 | BATTERY TERMINAL -POS | 1 | | SCC0050002 | BOLT 1/2-13 X 1 GRD 5 HEX | 2 |
| | NCE0000313 | 5/16 NC ESNA NUT PLTD | 1 | | NCH0000500 | NUT 1/2 HEX | 2 |
| 3 | 03-204 | BATTERY TERMINAL - NEG | 1 | | WLK0000500 | WASHER 1/2 S/T LOCK | 2 |
| | NCE0000375 | LOCKNUT 3/8 NC NYLON INSERT PLTD | 1 | 12 | LIT0020171 | WORK LIGHT ASSY HALOGEN 200/330 | 2 |
| 4 | BKT0015916 | BATTERY HOLD DOWN BRACKET | 1 | | WLK0000500 | WASHER 1/2 S/T LOCK | 2 |
| 5 | LIT1410112 | LIGHT YELLOW 12 VOLT SEALED | 4 | | NFH0000500 | 1/2 NF HEX NUT PLATED | 4 |
| 6 | LIT1410122 | LIGHT RED 12 VOLT SEALED | 2 | 13 | BKT0021619 | MOUNT BRACKET AND SHIELD | 1 |
| 7 | GRM0127469 | LIGHT GROMMET 12 VOLT SEALED | 6 | 14 | LIT0029888 | KNOTTER WORK LIGHT | 2 |
| 8 | LIT7072902 | PROTRUDING RING F/ LIT7072901 | 2 | | SCC0000313 | BOLT 3/8-16 X 1-1/4 GRD 5 HEX | 2 |
| | | | | | WCT0000375 | WASHER 3/8 FLAT | 2 |

TIRE AND WHEEL ASSEMBLY



TIRE AND WHEEL ASSEMBLY

| REF NO. | PART NO. | DESCRIPTION | QTY. USED |
|---------|------------|----------------------------------|-----------|
| 1 | TIR0000001 | TIRE/WHEEL, WHITE | 2 |
| 2 | TIR2312610 | TIRE-GALAXY FOR 1592 + 2/97 | 2 |
| 3 | WHL1029201 | WHEEL - NO BRAKES -1592 | 2 |
| | NMS0005708 | SWIVEL FLANGE CAP NUT | 20 |
| | 19-109 | VALVE STEM | 2 |
| 4 | HUB0909915 | HUB CAP | 2 |
| 5 | NSL0013750 | 1-3/8 SLOTTED NUT | 2 |
| 6 | COT0000807 | 3/16 X 2-1/2 COTTER PIN | 2 |
| 7 | WCT0137500 | WASHER 1-3/8 FLAT | 2 |
| 8 | ZZ 0000238 | MACH. BSNG 1-3/8 X 2-1/2 X 10 GA | 2 |
| 9 | BRG0000455 | OUTER BEARING CONE | 2 |
| 10 | BRG0000453 | BEARING CUP | 2 |
| 11 | HUB2871660 | HUB WINNER-OUTER BEARING-CAP | 2 |
| | STD9530331 | WHEEL STUD | 20 |
| 12 | F 0007034 | BEARING CUP | 2 |
| 13 | F 0007033 | BEARING CONE | 2 |
| 14 | SEL0033772 | GREASE SEAL | 2 |
| 15 | SPN0023108 | WHEEL SPINDLE | 2 |
| 16 | NCE0012500 | LOCKNUT ESNA 1-1/4 NC PLTD | 2 |
| 17 | SCC0001322 | BOLT 1-1/4 NC X 8 GRD 5 HEX PLTD | 2 |
| 18 | PLU0051056 | 2-1/4 CHROME BUTTON HEAD PLUG | 2 |
| 19 | HUB0001592 | HUB ASSY, COMPLETE | 2 |
| 20 | NMS0005708 | SWIVEL FLANGE CAP NUT-WHEEL | 20 |

PARTS INDEX

| Part No. | Description | Page No. | Part No. | Description | Page No. |
|------------|---------------------------------------|------------------|------------|--------------------------------------|----------|
| 900071 | SPACER..... | 24 | BKT0025876 | FLYWHEEL MNT ANCHOR BKT-A/8-92 | 54 |
| 900072 | SHAFT, CHAIN MOUNT | 24 | BKT0026243 | ALTERNATOR SUPT BKT ASY-AF/92..... | 54 |
| 03-182 | RELAY,PLUG IN 12V,10AMP..... | 146 | BKT0027448 | PTO SHAFT SHIELD BRACKET -1592..... | 48 |
| 03-204 | BATTERY TERMINAL - | 152 | BKT0031949 | TENSION RETURN TUBE ANCHOR BKT | 120 |
| 04-105 | 06-130,INDEX TRIP,RETURN | 94 | BKT0031949 | TENSION RETURN TUBE ANCHOR BKT | 120 |
| 06-125 | 3/8 CLEVIS | 56 | BKT0032981 | BRACKET, LUBER MOUNTING | 88 |
| 06-126 | 3/8 CLEVIS PIN | 56 | BKT0216260 | L. H. FLYWHEEL FRAME MOUNT BKT | 54 |
| 11-262 | 1" SPACER F/JUNC BLOCK | 130 | BKT0216261 | R. H. FLYWHEEL FRAME MOUNT BKT | 54 |
| 19-109 | VALVE STEM | 154 | BKT0233410 | L. H. FRT SLEEVE CVR SUPT BKT | 54 |
| 20-112 | MOTOR MOUNT/STOP PAD - | 26 | BKT0233411 | R. H. FRT SLEEVE CVR SUPT BKT | 54 |
| ALT1002116 | NIPPONDENSO ALTERNATOR | 52 | BKT0235270 | L. H. NEEDLE YOKE BRACKET..... | 28 |
| ANC0016029 | PICKUP LIFT SPRING ANCHOR..... | 60 | BKT0235271 | R. H. NEEDLE YOKE BRACKET..... | 28 |
| ANC0023322 | LEFT FRONT SHIELD ANCHOR - | 30 | BKT0263230 | LH TWN GUIDE BRACKET-AFT/11-92 | 32 |
| ANC0023403 | RIGHT FRONT SHIELD ANCHOR..... | 30 | BKT0263231 | RH TWN GUIDE BRACKET-AFT/11-92..... | 32 |
| ANC0023506 | FRONT SHIELD ANCHOR | 30 | BKT036434B | TOP SLACK PULLER BRACKET..... | 100 |
| ANC0025670 | RHT FEEDER LINK ANCHOR -A/6-92 | 70 | BKT036749D | DOUBLE KNOTTER LUBER BRKT..... | 100 |
| ANC036000E | LEFT FEED FORK LINK ANCHOR | 70 | BKT1616200 | L. H. P/U LIFT SPRING BRACKET..... | 60 |
| ANC036001E | RIGHT FEED FORK LINK ANCHOR | 70 | BKT1616201 | R. H. P/U LIFT SPRING BRACKET..... | 60 |
| ANC037660B | FEED CHUTE LINER ANCHOR | 72 | BKT2350200 | LH P/U LIFT SPRG ANCHOR BKT | 60 |
| ANG0027391 | PTO SHF CTR BRG MNT ANGLE..... | 48 | BKT2350201 | RH P/U LIFT SPRG ANCHOR BKT..... | 60 |
| AO 0000312 | 5/16 FABRICK WIRE LOOM..... | 22,80 | BLK0015661 | BELT TAKE-UP TIGHTENER BLOCK | 54 |
| AO00000313 | 5/16" FABRIC WIRE LOOM 70" PC | 130 | BLT0000038 | ALTERNATOR COG BELT..... | 52 |
| ARM0005001 | 1-1/2 LEVER ARM W/3/4 ROLLER..... | 104 | BLT0000042 | COG BELT-MECHANICAL DRIVE UNIT | 52 |
| ARM0CH5084 | 3" LEVER ARM W/3/4" ROLLER | 78,80,82,142,144 | BLT0005950 | BELT-COG (COG BELT)..... | 52 |
| ARM0015684 | LIFT ARM F/PICKUP - | 60 | BLT0026167 | TROUGH HAY DEFLECTOR BELT | 62 |
| ARM0022540 | FEED SENSOR ARM ASSEMBLY | 94 | BMP0004243 | RUBBER BUMPER F/HOOD | 36 |
| ARM0023120 | FEEDER CRANK ARM | 68 | BMP0093769 | MOUNT,SANDWICH SNGL STUD | 48 |
| ARM0023168 | FEEDER CRANK ARM | 68 | BOX0014241 | CASE, 6 X 9 X 1 MANUAL..... | 38 |
| ARM0027984 | P/U LIFT ARM ASSY-A/11-93- | 64 | BOX0024949 | L. H. TWINE BOX -AFT/3-92- | 32 |
| ARM0035388 | FEED FORK ARM - | 70 | BOX0024950 | R. H. TWINE BOX -AFT/3-92- | 32 |
| ARM036131E | LEFT FEED FORK ARM- S/N 616+..... | 70 | BOX0035235 | TWINE BOX DIVIDER- | 34 |
| ARM0CH5001 | 1-1/2" LEVER ARM W/3/4" ROLLER | 142 | BOX0035238 | DIAGNOSTIC CONTROLLER BOX ASSY | 142 |
| AUG0025183 | P/U LEFT AUGER ASSY-EXTEN OPTI | 62 | BOX0232370 | LH TWINE BOX OPT. DIVIDER..... | 32 |
| AUG0025184 | P/U RHT AUGER ASSY-EXT OPTION | 62 | BOX0232371 | RH TWINE BOX OPT. DIVIDER | 32 |
| AUG0026178 | LH P/U AUGER TROUGH 93"-AFT/92 | 62 | BOX036048E | MAIN CONTROL BOX | 146 |
| AUG0026179 | RH P/U AUGER TROUGH -AFT/11-92 | 62 | BOX036050E | MAIN CONTROL BOX ASSY- | 146 |
| BAB0005140 | BARRIER BLOCK-5 POS x .375 SP | 114 | BOX036460E | TOP TWINE BOX RIGHT END | 34 |
| BAB008140Y | SCREW TYPE TERMINAL BLOCK | 146 | BOX036461E | TOP TWINE BOX LEFT END | 34 |
| BAF037731D | 1-1/2 X 1 HEX BUSHING..... | 126 | BOX036467E | TRACTOR REMOTE CONTROL- | 142,150 |
| BAR0025204 | P/U TOOTH BAR PIPE-EXTE OPTION..... | 58 | BOX037336B | KNOTTER SLOWDOWN CONTROL BOX..... | 114 |
| BAR0025880 | KNOTTER TRIP ADJ. BAR ASSY..... | 104 | BOX037337D | KNOTTER SLOWDOWN CONTROL BOX..... | 114 |
| BAR0026169 | UPPER DEFLECTOR BLT RETAIN BAR | 62 | BOX037625E | TOP TWINE BOX ASSY | 34 |
| BAR0026170 | LOWER DEFLECTOR BLT RETAIN BAR..... | 62 | BOX037626E | SPLIT TOP TWINE BOX BACK | 34 |
| BAT0000038 | BATTERY TERMINAL -POS MARINE | 152 | BOX037627E | SPLIT TOP TWINE BOX FRONT..... | 34 |
| BAT0240060 | BATTERY-12V GROUP 24-DRY CHARG | 152 | BOX037628E | TOP TWINE BOX LID | 34 |
| BCO0001131 | BALE COUNTER 12V DC LCD | 146 | BOX0507654 | LH TWINE BOX BOTTOM | 32 |
| BKT0015687 | P/UP LIFT STOP BRACKET - | 60 | BOX0507655 | RH TWINE BOX BOTTOM..... | 32 |
| BKT0015770 | TNS CNTRL PUMP TENSION BRACKET | 52 | BRC0023404 | RIGHT FRONT SHIELD BRACE - | 30 |
| BKT0015916 | BATTERY HOLD DOWN BRACKET..... | 152 | BRC0025406 | SERVICE LADDER BRACE-AFT/4-92 | 40 |
| BKT0016005 | FRONT WORK LIGHT BRACKET | 152 | BRC0025407 | SERVICE LADDER BRACE-AFT/4-92 | 40 |
| BKT0016157 | BOTTOM LADDER STORAGE BRACKET | 28 | BRC0233260 | L. H. DOOR CENTER KNEE BRACE | 26 |
| BKT0016158 | TOP LADDER STORAGE BRACKET | 28 | BRC0233261 | R. H. DOOR CENTER KNEE BRACE | 26 |
| BKT0017448 | 2ND FEED SWITCH BKT -AFT/1-85 | 78 | BRC0233290 | L. H. DOOR REAR KNEE BRACE..... | 26 |
| BKT0018013 | BULKHEAD BRACKET 5/8 TUBE | 120 | BRC0233291 | R. H. DOOR REAR KNEE BRACE | 26 |
| BKT0018160 | BULKHEAD BRACKET 3/8 | 120 | BRC0233300 | L. H. REAR KNEE BRACE | 26 |
| BKT0020148 | #80 CHAIN TIGHTENER BRACKET | 76,78 | BRC0233301 | R. H. REAR KNEE BRACE | 26 |
| BKT0021619 | MOUNT BRACKET AND SHIELD | 152 | BRC0233310 | L. H. FRONT KNEE BRACE | 26 |
| BKT0023355 | NEEDLE YOKE GUARD BRACKET..... | 26 | BRC0233311 | R. H. FRONT KNEE BRACE | 26 |
| BKT0023414 | ALTERNATOR MOUNT BRACKET..... | 52 | BRC0233921 | R. H. DOOR SUPPORT BRACE | 26 |
| BKT0023423 | ALTERNATOR BELT TENSION BRACKET | 52 | BRG0000004 | PLUNGER ROLLER BEARING | 20 |
| BKT0023462 | TWINEGUIDE BRACKET - | 32 | BRG0000008 | FEED FORK ARM BEARING..... | 70 |
| BKT0023474 | MAKE-UP CYL HSE CLAMP BKT- | 10 | BRG0000010 | BEARING, PA, 1 1/4" | 24 |
| BKT0023510 | SERV LADDER HANDRAIL TOP BKT..... | 40 | BRG0000012 | BEARING, TWINE FINGER SHAFT | 96,100 |
| BKT0024068 | BRACKET-KNOTTER TRIP SWITCH..... | 104 | BRG0000015 | BRONZE BRG, OIL IMPREGNATED | 84 |
| BKT0024175 | LADDER HANDRAIL BRACKET - | 40 | BRG0000018 | BEARING 2-3/16" BORE | 82 |

PARTS INDEX CONT.

| Part No. | Description | Page No. | Part No. | Description | Page No. |
|-------------|-------------------------------------|----------|------------|--------------------------------|--------------------|
| BRG0000021 | 2-3/16" PILLLOW BLOCK BRG | 54 | CHU0022765 | INFEED CHUTE REAR PAN ASY | 72 |
| BRG0000022 | HEAVY DUTY CENTER BEARING | 48 | CHU0022767 | INFEED CHUTE FRONT PAN | 72 |
| BRG0000063 | FLANGETTE | 62 | CHU0028810 | LFT INFEED CHUTE SIDE PLT-A/94 | 72 |
| BRG0000103 | 1-1/4"(2) BOLT BEARING+COLLAR | 62 | CHU0028811 | INFEED CHUTE RHT SIDE PLT-A/94 | 72 |
| BRG0000453 | BEARING CUP | 154 | CHU0035109 | ROLLER BALE CHUTE ASSY | 24 |
| BRG0000455 | OUTER BEARING CONE | 154 | CLH0017767 | PICKUP DRIVE CLUTCH | 62 |
| BRG0001016 | NON SEALED-BEARING | 70 | CLH0017773 | P/U CLUTCH ADAPTER | 62 |
| BRG0001101 | TOOTH BAR BEARING | 58 | CLH0017849 | P/U CLUTCH DISC | 62 |
| BRG0001300 | ROD END BEARING 5/16 BORE, LH | 96 | CLH0177009 | FRICTION DISK | 50 |
| BRG0001301 | ROD END BRG 5/16 RH FEMALE | 96 | CLH0377672 | HEAVY DUTY SPRING PACK | 50 |
| BRG0002000 | 1ST FEEDER 1592 CRANK BEARING | 66,76 | CLH0388110 | TORQUE LIMITER CLUTCH | 50,52 |
| BRG0002001 | BEARING STAMPING F/BRG2000 | 66 | CLH0388110 | NEW CLUTCH-TORQUE LMTR | 52 |
| BRG0002001 | BEARING STAMPING F/BRG2000 | 76 | CLP0000130 | HOOK-TYPE FASTENER | 40,60 |
| BRG0002002 | LOCK COLLAR | 66,76 | CLP0010951 | CLAMP 3/8 TUBE | 120 |
| BRG0002029 | CAM FOLLOWER BEARING 1/2" BORE | 58 | CLP0022526 | FAN GUARD CLIP | 36 |
| BRG0017508 | NYLON TOOTH BAR BEARING | 58 | CLP0100150 | 1-1/2 HYDRA ZORB HOSE CLAMP | 10,120 |
| BRG0020016 | P/U DRIVE SHAFT BUSHING | 62 | CLP035921B | KNOTTER ANCHOR CLAMP | 84 |
| BRG0022548 | KNOTTER SHAFT CENTER BEARING | 88 | CLP0411001 | NUT 5/16 U-CLIP | 130 |
| BRG0067000 | BEARING COMPLETE | 62 | CLP7701154 | INSULATED HOSE CLAMP | 120 |
| BRG0106250 | 1ST FEEDER TINE LINK BRG | 66 | CLP7701158 | HOSE CLAMP | 120 |
| BRG0268250 | 2-11/16" PILLLOW BLOCK BEARING | 70 | CLP7701163 | 1" INSULATED HOSE CLP W/13/32" | 40 |
| BRG0268750 | 2-11/16" 4-BOLT FLANGE BEARING | 78 | CLR0002094 | MOUNTING BLOCK - OIL COOLER | 130 |
| BRG036008B | BEARING, FEED FORK FLAT | 70 | CLR21133S1 | OIL COOLER | 106,130 |
| BRG037677D | 2-3/16" PILLLOW BLOCK BEARING | 54 | CLV0005035 | 1/2X3-1/2 CLEVIS PIN PLN | 8 |
| BRG0507910 | BEARING CUP-L507910 | 68 | CLV0120014 | 3/8" X 2-1/2" CLEVIS - PLAIN | 58 |
| BRG0507949 | BRG-TAPERED ROLLER F/ 1390 | 68 | CLV0120045 | 3/4" X 3-3/4" CLEVIS - PLAIN | 64 |
| BRG2752125 | 2-3/4" ID X 2 X .125 BUTT CUT RD BG | 132 | CNK0000336 | CONNECTING LINK- 3/8" | 22 |
| BRG3751125 | 3-3/4" ID X 1 X .125 HYDRO RING | 132 | CNK0000801 | CONNECTING LINK- | 76,78 |
| BRGCRSBC201 | 1/4" STUD CAM FOLLOWER | 96,100 | CNR0000193 | 1/2" CORD CONN (.250-.375)F2 | 78,114,142,144,146 |
| BSH0001021 | 1-3/8 BORE X 3/8 KEYWAY BUSHG | 62 | CNR0000194 | 1/2 CORD CONNECTOR | 80,112,142,146,148 |
| BSH0001026 | SHOCK ABSORBER BUSHING- 3/4" ID | 70 | CNR0000195 | 1/2 NPT CORD STRAIN RELIEF | 104,142,146,148 |
| BSH0005625 | "H" X 9/16" BUSHING | 52 | CNR0000297 | 3/4" NPT CORD CONN .750-.875 | 148 |
| BSH0006231 | CAM LEVER ROLLER BUSH 60"+70" | 58 | CNR0001997 | CONNECTOR F/SCHROEDER FIL3000 | 128 |
| BSH0015841 | TWINE BOX DOOR LATCH BUSHING | 32 | COI0000002 | SOLENOID VALVE COIL, 12DC | 124 |
| BSH0015842 | TWN BX DOOR LATCH GUID.BUSHING | 32 | COI0035G12 | SOLENOID COIL 12 VDC | 112 |
| BSH0020000 | P/U FEED CRANK DRV BUSHING 2" | 76 | COI6351010 | SOLENOID VALVE COIL, 10 VDC | 124 |
| BSH0021617 | BUSHING F/CPL21616 | 54 | COT0000501 | 1/8 X 3/4 COTTER PIN | 58 |
| BSH0021875 | 2-3/16" BUSHING F/SPK35580 | 82,90 | COT0000502 | 1/8 X 1 COTTER PIN | 56,58 |
| BSH0026875 | BUSHING DRIVE SPROCKET 2-11/16 | 70,78 | COT0000503 | 1/8 X 1-1/4 COTTER PIN | 8,64 |
| BSH0101251 | HUB 1-1/4 B 5/16 | 76 | COT0000801 | 3/16 X 1 COTTER PIN | 28 |
| BSH0101502 | QDSF X 1-1/2 BUSHING | 78 | COT0000806 | 3/16 X 2-1/4 COTTER PIN | 56 |
| BSH0121875 | S1X2-3/16 BUSHING | 52 | COT0000807 | 3/16 X 2-1/2 COTTER PIN | 154 |
| BSH0501129 | BUSHING CUT .86 | 60 | CPL0018917 | PMP DR. CPLG. HALF-BORED-WALDR | 54 |
| BSH0505909 | 2-1/2 X 1-3/4 X 14 GA MACH BUSH | 56 | CPL0021616 | PUMP DRIVE REAR COUPLING HALF | 54 |
| BSH1252012 | BUSHING 1-1/4" BORE | 62 | CPL0080104 | 1/2" HYDRAULIC QUICK COUPLER | 64 |
| CAM0013897 | FEEDER SWITCH CAM | 70,78 | CRA036495E | FEED FORK CRANK | 70 |
| CAM0015917 | CHARGE SWITCH CAM | 94 | CRA036651D | MATCHED FEEDFORK CRANK PAIR | 70 |
| CAM0017414 | PICKUP REEL CAM | 58 | CRB2500075 | 1/4 X 3/4 CARRIAGE BOLT | 72 |
| CAM036405D | TWINE TUCKER CAM F/ 1600 | 82 | CVR0000001 | HYD TANK CLEAN-OUT COVER | 126 |
| CAM036734B | DOUBLE KNOTTER LS-7 CAM | 84 | CVR0016464 | TWINE GUIDE COVER | 32,34 |
| CAM036735B | DOUBLE KNOTTER LS-1,LS-12 CAM | 84 | CVR0023300 | REAR PLUNGER COVER ASSY | 36 |
| CAM036941E | ALTERNATE TWINE FINGER CAM#4 | 84 | CVR0025413 | REAR CLOSURE PLATE-AF/92 | 28 |
| CAP0046749 | CAP FOR HUB348 | 58 | CVR0232361 | R. H. TWN BX FILTER ACCESS CVR | 32 |
| CAP2134851 | AMP SEALING CAP 13 W/BEAD CHAIN | 148 | CVR0234290 | LH FRONT ACCESS COVER ASY | 38 |
| CBK0014530 | 30 AMP 12VDC CIRCUIT BREAKER | 146 | CVR0234291 | RH FRONT ACCESS COVER ASY | 38 |
| CBT5151250 | 3/16 X 15-1/8 CABLE TIE | 36 | CVR037639E | KNOTTER FAN SHROUD ASSEMBLY | 36 |
| CHN0005087 | CHAIN | 62 | CVR037735D | TAPE, SAFETY WALK 4 WIDE | 36 |
| CHN0008064 | CHAIN | 76 | CVR037736D | FAN SHROUD SPRING MOUNT | 36 |
| CHN0044321 | SAFETY CHAIN | 44,46 | CVR5060231 | RH HALF PLUNGER CVR,SHLD | 36 |
| CHN0050177 | CHAIN | 62 | CVR5060240 | LH HALF PLUNGER CVR,SHLD | 36 |
| CHN0060125 | DOUBLE KNOTTER DRIVE CHAIN | 90 | CYL0000205 | P/U LIFT CYL | 64 |
| CHN0080100 | 2ND FDR DRV CHN- | 78 | CYL0000205 | PICK-UP LIFT CYLINDER COMPLETE | 140 |
| CHN0506116 | CHAIN 3/6 LONG LINK | 36 | CYL0017120 | PLUNGER CYL ROD END TIE ROD | 132 |
| CHN375HT50 | 3/8" SELF-COLORED GRD 04 CHAIN | 22 | CYL0017121 | PLUNGER CYL BASE END TIE ROD | 132 |
| CHU0022269 | BALE CHUTE -AFT/9-88 | 22 | CYL0023690 | PLUNGER CYLINDER HEAD | 132 |

PARTS INDEX CONT.

| Part No. | Description | Page No. | Part No. | Description | Page No. |
|------------|--|----------|------------|---------------------------------------|---------------|
| CYL0023692 | PLUNGER CYLINDER BASE | 132 | DSK0353203 | WASHER..... | 50 |
| CYL0023694 | PLUNGER CYLINDER PISTON | 132 | ELC0000093 | 3 PIN DIN CONNECTOR..... | 114 |
| CYL0023695 | PLUNGER CYLINDER CUSHION..... | 132 | ELC0000334 | SENDING UNIT- HYD TEMP..... | 126 |
| CYL0023697 | PLUNGER CYL ROD PACK GLAND..... | 132 | ELC0172950 | CONTROL BOX ASSY, COMPLETE | 30 |
| CYL0023699 | PLUNGER CYLINDER ROD NUT..... | 132 | ELC036472D | REMOTE CONTROLLER ELECTRONICS | 150 |
| CYL0023700 | PLUNGER CYLINDER BARREL..... | 132 | F 0000440 | FERRULE | 104 |
| CYL0023701 | PLUNGER CYLINDER TRUNIION..... | 132 | F 0001618 | BEARING-METER WHEEL SHAFT..... | 104 |
| CYL0024785 | MAKE-UP CYLINDER-AF/8-91 | 10,134 | F 0008023 | GUIDE WASHER..... | 104 |
| CYL0024787 | MAKE-UP CYLINDER BARREL | 134 | F 0000025 | CONNECTING LINK | 62 |
| CYL0024789 | MAKE-UP CYLINDER PISTON | 134 | F 0000123 | RC50 OFFSET LINK..... | 62 |
| CYL0024790 | MAKE-UP CYLINDER HEAD | 134 | F 0000172 | 3/4"STEEL SET COLLAR | 94 |
| CYL0080614 | GAS SPRING CYLINDER..... | 28 | F 0000220 | HAY DOG PIN (1/2 X 3 CLEVIS)..... | 8 |
| CYL00TC408 | TC4 X 8 HYD CYL-MODIFIED..... | 8,118 | F 0000246 | KNOTTER BRAKE DISC WASHER..... | 104 |
| CYL036592E | PLUNGER CYLINDER SUB ASSEMBLY | 10 | F 0000278 | SPRING F/KNOTTER TRIP ARM..... | 32 |
| CYL0TC3516 | HYD CYL - MODIFIED..... | 8,118 | F 0000440 | FERRULE | 56 |
| DIO0046021 | DIODE (100V)..... | 146 | F 0000747 | SQ. TIP RON RETURN SPRING..... | 104 |
| DOG0014820 | CHAMBER DOG | 8 | F 0000778 | 1/4 X 1/8 HVY DUTY TUBE CONN..... | 88 |
| DOG0018250 | SIDE HAY DOG..... | 8 | F 0000856 | TWINE & WIRE GUIDE BUSHING | 32 |
| DOG0023159 | TOP CHAMBER DOG | 8 | F 0000857 | SNAP RING F/TWN GUIDE BUSHING | 32 |
| DOR0232300 | LH TWINE BOX DOOR | 32 | F 0000967 | SHIM F/PINION SHAFT BRG - 16GA..... | 32 |
| DOR0232301 | RH TWINE BOX DOOR | 32 | F 0000967A | SHIM F/PINION SHAFT BRG - 20GA..... | 32 |
| DOR0232790 | L.H. MAIN DOOR ASSY..... | 28 | F 0000967B | SHIM F/PINION SHAFT BRG - 10GA..... | 32 |
| DOR0232791 | R. H. MAIN DOOR ASSEMBLY | 28 | F 0001007 | CONTROL KNOB - 5/16 NC THREAD | 32 |
| DOR0233320 | L. H. LOWER FRONT DOOR | 28 | F 0001441 | 1/4 X 1/8 90° ELBOW | 88,92,126,128 |
| DOR0233321 | R. H. LOWER FRONT DOOR | 28 | F 0001517 | TRIP SPRING | 56,104 |
| DPT0004000 | BAFFLE ADAPTER F/WE4A | 126 | F 0001618 | METER WHEEL SHAFT BRG W/CLAMPS | 94 |
| DPT0018751 | PUMP PILOT ADAPTER | 54 | F 0001619 | METER WHEEL SHAFT-BEARING ONLY | 94 |
| DRV0087276 | BEARING RING..... | 44,46 | F 0001654 | OUTER BEARING CUP..... | 58 |
| DRV0097133 | INBOARD YOKE..... | 46 | F 0001790 | COMPRESSION SPRING F/PTO CLTCH | 62 |
| DRV0304046 | SPRING PACK..... | 44,46 | F 0001791 | CLUTCH PIN..... | 62 |
| DRV0312209 | U-JOINT KIT F/1500 REAR DRVLIN | 44,46 | F 0001793 | FRICTION DISC F/PTO CLUTCH | 62 |
| DRV0323155 | FLANGE YOKE..... | 46 | F 0001797 | CLUTCH PLT COMPRESSION SPRING..... | 62 |
| DRV0323756 | INNER PROFILE S4 | 46 | F 0001889 | FLANGETTE F/F1618 BEARING | 94,104 |
| DRV0355155 | SUPPORT BEARING | 44,46 | F 0001890 | LOCKING COLLAR (PART OF REF#4)..... | 94 |
| DRV0362430 | FRONT YOKE 1 3/8" FOR 21 SPLINE | 44 | F 0001909 | BEARING CONE..... | 58 |
| DRV0362434 | FRONT YOKE 1 3/4" FOR 20 SPLINE | 44 | F 0004104 | 3/8 X 3/8 X 1-1/2 KEY | 78 |
| DRV0365305 | SCREW..... | 44,46 | F 0004137 | 1-1/2 X 1-3/8 X 2 BUSHING..... | 80 |
| DRV0365385 | SHIELD CONE - 5 RIB..... | 46 | F 0006328 | GROMMET-BATTERY HOLD DOWN..... | 152 |
| DRV0365387 | SHIELD CONE 7-RIB..... | 44 | F 0006450 | O-RING F/F6269 4-BOLT FLANGE | 10 |
| DRV0365556 | GUARD RING..... | 46 | F 0006551 | BOLT 3/8 NC X 12 GRD 5 HEX PLTD | 152 |
| DRV0380371 | ZERK FITTING..... | 46 | F 0006675 | CONN. 3/4"JIC X 1" NPT MALE | 106 |
| DRV0383333 | DECAL OUT. IN ITEM 11 | 44,46 | F 0006684 | 1/4JIC X 1/4 O-RNG ST THD CONN..... | 78,108 |
| DRV0383334 | DECAL INN. IN ITEM C | 44,46 | F 0007033 | BEARING CONE..... | 154 |
| DRV0388109 | HUB 1-3/4" 6 SPLINE | 50 | F 0007400 | 1/8 NYLAFLOW TUBING 32"..... | 88 |
| DRV0388242 | INNER PROFILE FOR 21 SPLINE | 44 | F 0007586 | BUSHING..... | 104 |
| DRV0388243 | SLEEVE, TUBE & INBOARD YOKE 21SP | 44 | F 0007587 | ANCHOR SEAL..... | 104 |
| DRV0388944 | INNER PROFILE FOR 20 SPLINE | 44 | F 0007904 | 3/8 X 3/8 X 2 KEY | 58 |
| DRV0389771 | 1-3/8"x21 FRNT SHF F/3PC DRVLN | 48 | F 0007988 | SNAP RING F/KNOTTER SHAFT | 80 |
| DRV0389772 | OUT SHIELD TUBE OVL..... | 44 | F 0008011 | OUTER WHEEL BEARING CUP..... | 62 |
| DRV0389773 | INN. SHIELD TUBE ROUND | 44 | F 0008147 | TWINE FINGER DRIVE ROD BUSHING..... | 32 |
| DRV0389774 | 1-3/4"x20 FRNT SHF F/3PC DRVLN | 48 | F 0008197 | TANK COVER F/F-8196 | 92 |
| DRV0389775 | SLEEVE, TUBE & INBOARD YOKE 20SP | 44 | F 0008198 | GASKET F/AUTO LUBER TANK | 92 |
| DRV0389776 | OUT SHIELD TUBE OVL..... | 44 | F 0008199 | SITE GAUGE F/AUTO LUBER TANK | 92 |
| DRV0389777 | INN. SHIELD TUBE ROUND | 44 | F 0008201 | LUBER/KNOTTER SPROCKET | 92 |
| DRV0389778 | PROFILE, SLEEVE,SHEILD SUPPORT..... | 46 | F 0008209 | 3/8"X 1/4"90°BRASS MALE ELBOW..... | 92 |
| DRV0389779 | SECONDARY SHAFT F/3PC DRIVLINE | 48 | F 0008264 | RUBBER BUMPER..... | 94 |
| DRV0389780 | OUTER SHIELD TUBE OVAL..... | 46 | F 0008287 | STR AUTO LUBER FITTING | 88 |
| DRV0389781 | INNER SHIELD TUBE RND..... | 46 | F 0008288 | 90° AUTO LUBER FITTING | 88 |
| DRW0017772 | PICKUP DRIVE ASSEMBLY | 62 | F 0008290 | 3/16 X 7-1/4 CABLE TIE - BLACK | 22,88 |
| DRW0023056 | TOOTH BAR LEVER RAM | 60 | F 0008291 | COVER FOR 1/8 TUBING | 88 |
| DRW035997B | BAR..... | 6,10 | F 0008306 | FERRULE F/AUTO LUBER FITTING | 88 |
| DRW036447D | LOWER SLACK PULLER MOUNT | 98 | F 0008312 | 1/4 SLEEVE F/F1441..... | 92 |
| DRW036468E | REMOTE CONTROL BOX | 150 | F 0008380 | BEARING & LOCK COLLAR F/F8102..... | 58 |
| DRW036470E | REMOTE CONTROL BOX COVER ASSY..... | 150 | F 0008380 | BEARING & LOCK COLLAR F/F8102..... | 62 |
| DSK0304235 | WASHER..... | 50 | F 0008381 | LOCKING COLLAR F/F8102 | 58,62 |

PARTS INDEX CONT.

| Part No. | Description | Page No. | Part No. | Description | Page No. |
|------------|--|------------|---------------|--|-----------------|
| F 0008383 | FLANGETTE-NO ZERK F/F8102 | 58,62 | FD7000A933 | DECAL-WARNING MOVING,CRUSH | 2,4 |
| F000000072 | KEY F/ FLYWHEEL & PINION SHAFT | 52 | FD7000A934 | DECAL-WARNING NEEDLE FRAME | 2,4 |
| F000000658 | 14 GA. KNOTTER WORM WASHER | 86 | FD7000A936 | DECAL-WARNING KNOTTERS | 2,4 |
| F000000659 | 18 GA. KNOTTER WORM WASHER | 86 | FD7000A937 | DECAL-WARNING ALLOW TO STOP | 2,4 |
| F000000760 | CONNECTING LINK | 62,90 | FD7000A938 | DECAL-READ OPERATORS MANUAL | 2,4 |
| F000000797 | SIDE HAY DOG SPRING | 8 | FD7000A943 | DECAL-OIL REQUIREMENT | 2,4 |
| F000000856 | TWINE & WIRE GUIDE BUSHING | 34,100,102 | FD7000A944 | DECAL-TOWING PRECAUTION | 2,4 |
| F000000857 | SNAP RING F/TWN GUIDE BUSHING | 34,100,102 | FD7000A952 | DECAL-DRAWBAR HITCH | 2,4 |
| F000000883 | IDLER PULLEY F/KNOT CHAIN DRIV | 90 | FD7000A961 | DECAL-SHUTDOWN DIAGNOSTIC | 2,4 |
| F000000946 | WIRE ALARM SWITCH F/ELC21608 | 100 | FD7000A983 | DECAL-NOTICE TO OWNER | 2,4 |
| F000001441 | CONN 1/8 NPT M X 1/4 ELBOW W/NUT | 126,130 | FD7001A948 | DECAL-FAN SWITCH | 2,4 |
| F000001517 | TRIP SPRING | 96,98,100 | FEN1763200 | L. H. PICKUP FENDER FLARE | 58 |
| F000001680 | 28 GA. KNOTTER WORM WASHER | 86 | FEN1763201 | R. H. PICKUP FENDER FLARE | 58 |
| F000006675 | ADAPTER 12M JIC X 1M SY | 126,130 | FIL0000003 | FILTER-SUCTION F/1592 TNS PUMP | 126 |
| F000007400 | 1/8" TUBING 72" | 130 | FIL0001592 | FILTER - MAIN SYSTEM HYDRAULIC | 126,128 |
| F000007449 | INSIDE BRAKE PLATE W/LINING | 82 | FIL0003000 | ELEMENT F/1592 MAIN HYD FILTER | 128 |
| F000007450 | OUTSIDE BRAKE PLATE W/LINING | 82 | FIL0009052 | 1/4 IN-LINE FILTER | 92 |
| F000007454 | BRAKE LINING W/RIVETS (PAIR) | 82 | FIL0010003 | FILTER CAP COMPLETE W/SCREEN | 92 |
| F000007552 | NEEDLE TO YOKE CARR BOLT W/NUT | 80 | FIL1731101 | BREATHER FILTER, HYD TANK | 126 |
| F000007860 | KNIFE ARM WASHER 25 X 20 X .5M | 86 | FLG0001501 | 1"SPLIT FLG W/O-RING &BOLT KIT | 10,106,132 |
| F000007871 | TWINE HOLDER DISC WORM PINION | 86 | FLG0001660 | 1" CODE 62 BLIND FLANGE | 10,132 |
| F000007947 | KNOTTER HOOK CAM ADJUST SPRING | 86 | FLT0034591 | FEEDER BEARING SEAL FELT | 68 |
| F000007976 | SNAP RING F/KNIFE ARM SHAFT | 86 | FLT3125350 | 5/16 X 5/16 X 3-1/2 OD FELT RING | 132 |
| F000007977 | 1-3/8X1-7/8X.010 SPACER WASHER | 80 | FLW0023253 | BALANCED FLYWHEEL | 54 |
| F000008052 | TWINE HOLDER SPRING | 86 | FRK0035386 | FEED FORK S/N 616+ | 70 |
| F000008102 | BEARING ASSY F/PICKUP SHAFT | 58,62 | FRM0032270 | ASSEMBLY, FRAME, CHUTE, ROLLER | 24 |
| F000008144 | TWINE FINGER BUSHING NUT | 96 | FRM0035141 | UPPER TWINE TENS FRAME ASSY | 102 |
| F000008146 | TWINE FINGER WASHER | 96 | FRM0035143 | LOWER TWINE TENS FRAME ASY | 102 |
| F000008274 | ROLLER F/KNIFE ARM | 86 | FRM0232910 | R.H. TOP SHIELD SUPT ASB | 26 |
| F000008275 | SNAP RING F/KNIFE ARM ROLLER | 86 | FRM0232911 | L.H. TOP SHIELD SUPT ASB | 26 |
| F000008280 | 1 MM WASHER-WORM SHF & KNF ARM | 86,96 | FRM036504E | MAIN FRAME W/2-PIECE TNG | 6 |
| F000008312 | 1/4 SLEEVE F/F1441 | 128 | FRM037528E | FLYWHEEL MOUNT FRAME | 54 |
| FAN0250937 | FAN BLADE F/KNOTTER BLOWER | 36 | FRM037556E | GIMBAL FRAME ASSY | 10 |
| FAN5000211 | FAN MOTOR ONLY | 130 | FST0010401MED | DUTY FOLDING HANDLE FASTNR | 28,36,38,60,130 |
| FAN5000212 | BLADE ASSY - COOLER FAN 21" | 130 | FT 0000113 | CONNECTING LINK - CHAIN | 92 |
| FD 0007111 | 25" X 4" WHITE "FREEMAN" DECAL | 2,4 | FT 0000114 | OFFSET LINK - CHAIN | 92 |
| FD 0022124 | DECAL,PATENT NUMBERS-HAY EQUIP | 2,4 | FT 0000165 | PUMP DRIVE CHAIN | 92 |
| FD 0022521 | BALE LENGTH ADJ DECAL | 2,4 | FT 0006205 | ADJUSTING SCREW | 56 |
| FD 0023531 | "DANGER! ROTATING DEVICE..." | 2,4 | FUS0000025 | PANEL FUSEHOLDER-BUSSMAN | 146,148 |
| FD 0023537 | "CAUTION! OPERATE AT 1000 RPM | 2,4 | FUS0000036 | FUSE | 146,148 |
| FD 0023538 | "WARNING! DO NOT RIDE ON..." | 2,4 | GAG0006451 | GAUGE-THERMOMETER SIGHT | 126 |
| FD 0023951 | DECAL LUG NUT | 2,4 | GAG00082112 | GAUGE VOLTAGE METER 12V NEG | 130 |
| FD 0024865 | L. H. FREEMAN 1592 DECAL | 2,4 | GAG00082115 | OIL TEMP GAUGE | 130 |
| FD 0024866 | R. H. FREEMAN 1592 DECALS | 2,4 | GAG2335003 | TENSION SYS PRESSURE GUAGE | 130 |
| FD 0025249 | DECAL-HOIST BALER-LIFT POINTS | 2,4 | GAG2335010 | GAUGE LIQ FILL HYD 10000 PSI 4" | 130 |
| FD 0028042 | DECAL-SPROCKET ORIENTATION | 2,4 | GRD0004432 | CAGE F/KNOTTER BLOWER-COMplete | 36 |
| FD 0029854 | DECAL-FEEDER CRANK CAUTION | 2,4 | GRD0022486 | CENTER FEED CHUTE GUARD | 72 |
| FD00018808 | HYD FLUID DECAL | 130 | GRD0022492 | CENTER FEEDER GUARD | 72 |
| FD0036059A | MANUAL TENSNT CONT OVERLAY | 148 | GRD0023446 | PICKUP DRIVE CHAIN GUARD | 62 |
| FD0036059A | PAN HD PHIL MS 6-32 x 5/8 | 150 | GRD0025282 | WIND GRD 98-1/2" STD PU | 56 |
| FD0036471E | REMOTE CONT GRAPHIC OVERLAY | 150 | GRD0224960 | LH OUTSIDE FEEDER GUARD | 72 |
| FD0037145B | "D" DECAL-1592 | 2,4 | GRD0224961 | RH OUTSIDE FEEDER GUARD | 72 |
| FD0505626 | DECAL-TAPE BLK/YELLOW 3" | 2,4 | GRD0233110 | L. H. NEEDLE YOKE GUARD | 28 |
| FD70000108 | DECAL-KEEP SHIELDS IN PLACE | 2,4 | GRD0233111 | R. H. NEEDLE YOKE GUARD | 28 |
| FD70000170 | DECAL-RED REFLECTOR | 2,4 | GRD0505568 | PICKUP DRIVE CHAIN GUARD | 76 |
| FD70000434 | DECAL-MADE IN USA | 2,4 | GRD0506125 | GUARD - FAN OIL COOLER | 130 |
| FD70000445 | DECAL-LIFT POINT | 2,4 | GRD0506144 | PICKUP DRIVE SHAFT GUARD | 62 |
| FD70000722 | DECAL-YELLOW REFLECTOR STICKON | 2,4 | GRD2521300 | LFT OUTSIDE CHUTE GRD-MODIFIED | 72 |
| FD7000A896 | DECAL-WARNING MOVING PARTS | 2,4 | GRD2521301 | RHT OUTSIDE CHUTE GRD-MODIFIED | 72 |
| FD7000A897 | DECAL-DANGER BALER INTAKE | 2,4 | GRL0023379 | OIL COOLER GRILL (SPEC. RIGHT) | 130 |
| FD7000A919 | DECAL-WARNING DRIVELINE | 2,4 | GRL037755D | OIL COOLER GRILL (SPEC. LEFT) | 130 |
| FD7000A920 | DECAL-DANGER FALLING HAZARD | 2,4 | GRM0002285 | 7/8ID 1-1/8OD 1/16GRV GROMMET | 36 |
| FD7000A923 | DECAL-WARNING FORK CRANK | 2,4 | GRM0127469 | LIGHT GROMMET 12 VOLT SEALED | 152 |
| FD7000A925 | DECAL-WARNING USE LADDER | 2,4 | GSK0000001 | GASKET-PANEL SWITCH SEAL | 146,148,150 |
| FD7000A932 | DECAL-WARNING READ MANUAL | 2,4 | | | |

PARTS INDEX CONT.

| Part No. | Description | Page No. | Part No. | Description | Page No. |
|------------|---------------------------------------|-----------------|------------|--|-----------------|
| GSK0000RG4 | GASKET - FILTER HOUSING..... | 128 | HOS036698A | HOSE TENSION MAN TO RH CYL RET..... | 118,120,122 |
| GUD0018010 | P/U SHIELD GUIDE ASSEMBLY..... | 60 | HOS036699A | HOSE TENSION MANIFOLD RETURN..... | 118,120,122 |
| GUD0018011 | P/U SHIELD GUIDE ASSEMBLY..... | 60 | HOS036700A | HOSE TENSION MANIFOLD SUPPLY..... | 118,120,122 |
| GUD0018012 | P/U SHIELD GUIDE ASSEMBLY..... | 60 | HOS036701A | HOSE TENSION PRESSURE GAUGE..... | 116,118,122,130 |
| GUD2527800 | L. H. WIND GUARD MOUNT GUIDE..... | 56 | HOS036702A | RETURN FILTER TO RET MANIFD HOSE..... | 126 |
| GUD2527801 | R. H. WIND GUARD MOUNT GUIDE..... | 56 | HOS037017A | KNOTTER MOTOR SECONDARY HOSE..... | 90 |
| HAN0000150 | PLATED DOOR HANDLE..... | 60 | HOS037017A | HOSE-KNOTTER MOTOR SECONDARY..... | 116 |
| HAN0000817 | CHROME GRAB HANDLE..... | 38 | HOS037354A | KNOTTER SLOWDOWN KIT HOSE..... | 90,112,116 |
| HAN0017239 | HANDLE F/TWINE BOX LID..... | 34 | HOS037569A | KNOTTER RETURN HOSE..... | 90,112,116 |
| HAN6210603 | LIFT-N-LATCH HANDLE..... | 28 | HRN0017598 | WIRE HARN-2COND. LS-3 TO JB-2..... | 142 |
| HNG0000810 | HINGE FOR TWINE BOX (PAIR)..... | 34 | HRN0017620 | WIR HRN-2CND LS5,9&10 TO TB1&2..... | 142 |
| HNG0023458 | SHEAVE FRONT SHIELD HINGE..... | 38 | HRN0017621 | WIRE HARN-2COND. LS-6 TO TB-3..... | 142 |
| HNG0232330 | LH TOP HINGE PIN-AF/11-89..... | 32 | HRN0017641 | LS-4 SWI HARNESS TO MAIN CON BOX..... | 142 |
| HNG0232331 | RH TOP HINGE PIN-AF/11-89..... | 32 | HRN0017866 | WIRE HARN-5COND. LS-1 TO JB-2..... | 142 |
| HNG0233390 | L. H. LOWER DOOR HINGE..... | 28 | HRN0017867 | WIRE HARN-2 COND. LS-2 TO JB-2..... | 142 |
| HNG0233391 | R. H. LOWER DOOR HINGE..... | 28 | HRN0017868 | WIRE HARNESS LS-8..... | 142 |
| HNG0235070 | L. H. LOWER FRONT DOOR HINGE..... | 32 | HRN0017870 | WIRE HARN-3COND. LS-12 TO JB-2..... | 142 |
| HNG0235071 | R. H. LOWER FRONT DOOR HINGE..... | 32 | HRN0017874 | FRT. AMB. WARNING LIGHT HRNESS..... | 142 |
| HNG1598500 | L. H. PLUNGER COVER HINGE SECT..... | 36 | HRN0018301 | WIRE HARN-BATTERY GROUND STRAP..... | 142 |
| HNG1598501 | R. H. PLUNGER COVER HINGE SECT..... | 36 | HRN0021076 | WIRING HARN P/U WORK LIGHT..... | 142 |
| HNG1598600 | L. H. PLUNGER COVER HINGE SECT..... | 36 | HRN0023512 | WIRE HARNESS LS-11 TO CONTL BX..... | 142 |
| HNG1598601 | R. H. PLUNGER COVER HINGE SECT..... | 36 | HRN0023514 | HARN KNT FAN SWI TO JUNC BLK..... | 142 |
| HOS0015761 | HOSE TENS CONTROL CYL 49.5..... | 118,122 | HRN0023542 | STOP/TAIL LIGHT HARNESS..... | 142 |
| HOS0015762 | HOSE TENS CONTROL CYL 42..... | 118,122 | HRN0024697 | WIRING HARNESS LS-7 TO JB-2..... | 142 |
| HOS0015874 | PLUNGER CYL HOSE-6000PSI..... | 10,110,116 | HRN0024702 | WIRING HARN FAN RELAY TO MOTOR..... | 142 |
| HOS0016624 | HOSE-VALVE MANIFOLD PILOT..... | 110,112,116 | HRN0026051 | 40 AMP CB TO BATTERY WIRNG HRN..... | 142 |
| HOS0016649 | HOSE-RETURN FEEDER VALVE..... | 106,116,126 | HRN0028519 | ALTERNATOR TO TB-4&BAT-AF/5-94..... | 142 |
| HOS0016658 | HOSE-PICKUP LIFT SUPPLY..... | 64 | HRN0029820 | WIRE HRN KNT WORK LIGHT-AF/95..... | 142 |
| HOS0017676 | 10M PRESSURE GAUGE HOSE..... | 130 | HRN0031170 | SERVO-CONTROLLER WIRING HARN..... | 142 |
| HOS0020543 | HYDRAULIC HOSE 5X00 /..... | 106,110 | HRN0036239 | LS-13 SWITCH HARNESS TO JOB2..... | 80,142 |
| HOS0020760 | PICKUP LIFT CYLINDER HOSE-1592..... | 64 | HRN036134E | GAUGE PANEL / JB-4 WIRE HARNESS..... | 142 |
| HOS0020947 | HOSE-TC STYLE TENS CYL AFT 2/87..... | 118,122 | HRN036135D | REMOTE HARNESS RECEPTACLE..... | 146,148 |
| HOS0020948 | HOSE-TC STYLE TENS CYL AFT 2/87..... | 118,122 | HRN036152D | JB-5 TO 7 POLE CONN. WIRE HARNESS..... | 142 |
| HOS0022137 | HOSE-10M PRESSURE GAUGE..... | 110 | HRN036157B | HARNESS, FEEDER VALVE..... | 142 |
| HOS0023435 | HOSE-FEED KNOTTER MNFLD RETURN..... | 106,112,126, | HRN036158B | DIAGNOSTIC CONTROL RECEPTACLE..... | 146,148 |
| HOS0023438 | HOSE-FEED FORK MOTOR..... | 112,116 | HRN036181B | DRAWBAR TO MAIN CONT..... | 142 |
| HOS0023451 | LH MAKE-UP CYL BASE-FDR LEG BH..... | 10,106,116 | HRN036217D | JB-2 TO MAIN CONT. BOX WIRE HARN..... | 142 |
| HOS0023452 | RIGHT MAKE-UP CYL HOSE..... | 10,106,116 | HRN036244B | TENSION CONT SOLENOID VLV HARN..... | 142 |
| HOS0023455 | HOSE-PRESSURE SWITCH..... | 116 | HRN036509D | HARNESS, LS-1 SWITCH TO JB-2..... | 82 |
| HOS0023460 | HOSE-ACCUMULATOR DISCHARGE..... | 106,110 | HRN036510B | HARNESS LS-12 SWITCH TO JB-2..... | 82 |
| HOS0023488 | HOSE-PUMP SUCTION..... | 110,126 | HRN0505671 | HARNESS-LS2,3,5,7..... | 82 |
| HOS0023494 | TENSION PUMP SUCTION HOSE..... | 52,122,126 | HSG0026245 | ALTERNATOR HOUSING..... | 54 |
| HOS0024293 | LONG P/U LIFT HSE..... | 64 | HSN0017505 | P/UP TOOTH BAR BRG HSG-ASSEMBL..... | 58 |
| HOS0024887 | PLUNGER CYLINDER HOSE..... | 10,106,110,116 | HSN0023116 | BEARING HOUSING..... | 68 |
| HOS0024889 | PLUNGER CYLINDER ROD END HSE..... | 10,106,110,116 | HSN0027989 | EXTEND P/U AUGER BRG HSN-AF/93..... | 62 |
| HOS0024973 | HOSE-PLUNGER VALVE..... | 106,110 | HSN0177008 | HOUSING & DRIVE PLATE..... | 50 |
| HOS0024980 | HOSE-PRESSURE RETRACE..... | 106,110 | HSN0388108 | CLUTCH HOUSING..... | 50 |
| HOS0024984 | HOSE-LEFT MAKE UP CYLINDER 54"..... | 106,110 | HTH0021484 | OPTIONAL BALL HITCH MOUNT..... | 42 |
| HOS0025038 | HOSE-TENSION REGULATOR TO TANK..... | 122,126 | HTH0021490 | HITCH BALL..... | 42 |
| HOS0025040 | HOSE-PUMP CASE DRAIN-CK & RLF..... | 106,110,126 | HUB0000348 | HUB W/BRGS & SEALS -BBRs P/U..... | 58 |
| HOS0028188 | HOSE-CONTR. VLV TO 10 PRES GAUGE..... | 106,110 | HUB0001592 | HUB ASSY, COMPLETE..... | 154 |
| HOS0032166 | FEEDER MANIFOLD PRESSURE HOSE..... | 110,106,112,116 | HUB000BT12 | HUB ONLY..... | 58 |
| HOS0032167 | HOSE PMP-FDR VLV PRESSURE PORT..... | 106,110,116 | HUB0909915 | HUB CAP..... | 154 |
| HOS0035162 | COMMERCIAL PUMP SUCTION HOSE..... | 110,126 | HUB2871660 | HUB W/INNER-OUTER BEARING-CAP..... | 154 |
| HOS036689A | FEEDER VLV TO FEEDER MOTOR HOSE..... | 106,116 | HYD00004EC | THREADED END CAP..... | 138 |
| HOS036690A | TENSION PUMP HOSE..... | 52,122 | HYD0000705 | 1/8 NPT MULTI-PURPOSE AIR VENT..... | 64 |
| HOS036692A | HOSEKNOTTER MANIFOLD TANK PORT..... | 116,126 | HYD000TC4N | PISTON LOCK NUT..... | 138 |
| HOS036693A | HOSE-OIL COOLER BYPASS..... | 106,110,126 | HYD000TC4S | SHAFT ASSEMBLY..... | 138 |
| HOS036694A | HOSE TENSION MAN TO BOT CYL. SUP..... | 118,122 | HYD0010000 | PULSATION DAMPENR F/23350..... | 106,130 |
| HOS036695A | TEN MANIFOLD TO BOT CYL.RET HOSE..... | 118,122 | HYD0162037 | INDICATOR - REMOTE HYDRAULIC..... | 130 |
| HOS036696A | TEN MANIFOLD TO RH CYL SUP HOSE..... | 118,122 | HYD3069021 | 1/8 NPT STL HEX NIPPLE..... | 88 |
| HOS036697A | TEN MANIFOLD TO RH CYL SUP HOSE..... | 118,122 | HYD3069032 | NIPPLE 1/4X3/8 NPT HEX..... | 92 |
| | | | HYD3069070 | BUSHING 1" NPT HEX STEEL..... | 106 |
| | | | HYD3109031 | 3/8 X 1/8 STEEL PIPE BUSHING..... | 64 |
| | | | HYD3109096 | 1-1/2 X 3/4 STEEL PIPE BUSHING..... | 126 |

PARTS INDEX CONT.

| Part No. | Description | Page No. | Part No. | Description | Page No. |
|------------|--------------------------------------|----------------------|------------|----------------------------------|----------|
| HYD3159022 | PIPE PLUG 1-1/2 HEX STEEL | 126 | HYP000FA2N | PISTON LOCK NUT | 140 |
| HYD3159060 | PIPE PLUG 3/4 HEX STEEL | 126 | HYP000FA2O | O-RING | 140 |
| HYD3169030 | 3/8 SOCKET HD STEEL PIPE PLUG | 62 | HYP000FA2P | CLEVIS PIN FOR CYL205 | 64,140 |
| HYD3409020 | STREET ELBOW 1/4 X 90 DEG. | 106,130 | HYP000FA2T | PACKING GLAND BOLT W/LKWSR | 140 |
| HYD3609030 | 3/8 NPT STEEL MALE BRANCH TEE | 64 | HYP000FA2V | PISTON | 140 |
| HYD3709070 | PIPE TEE 1" FEMALE STEEL | 106 | HYP000FA4P | CLEVIS PIN WITH COTTER PIN | 8 |
| HYD5015062 | 3/4 TO 1/4 JIC TUBE REDUCER | 74,106 | HYP00FA2LR | HEAD LOCKING RING | 140 |
| HYD5015062 | CONN. 12F JIC X 4M JIC STR | 112 | HYP00FA2PO | PISTON O-RING ASSEMBLY | 140 |
| HYD5105062 | CONN. 12F JIC X 4M JIC STR | 108 | HYP00FA2RW | ROD WIPER | 140 |
| HYD5129020 | 1/4" JIC CAP | 74,106,108,112,124 | HYP00FA2SO | SMALL O-RING | 140 |
| HYD5129060 | SENDING UNIT- HYD TEMP | 126 | HYP0FA25-C | TUBE ASSEMBLY | 140 |
| HYD5205033 | 3/8 JIC X 3/8 NPT MALE CONN. | 64 | HYP0FA25-S | SHAFT ASSEMBLY | 140 |
| HYD5205054 | 5/8 JIC X 1/2 NPT MALE CONN. | 126 | IMP0026006 | 3/8" PLASTIC SLEEVE ONLY | 92 |
| HYD5205060 | CONN. 3/4 JIC X 3/4 NPT M. | 126 | IMP0026106 | 3/8 NUT & SLEEVE ASSEMBLY | 92 |
| HYD5205070 | 1" JIC X 1" NPT MALE CONN. | 10,106 | JCK0000205 | BUMPER JACK 9000# | 6 |
| HYD5205092 | 1-1/2JIC X 2 NPT MALE CONN. | 126 | KEY0000010 | KEY FOR KEYSWITCH SWI100, | 146,148 |
| HYD5205100 | CONN 1-1/4 JIC 1-1/4 NPT M. | 126 | KEY0000010 | KEY FOR KEYSWITCH SWI100, | 148 |
| HYD5205120 | 1-1/4 JIC X 1-1/2 NPT CONNECT | 126 | KEY0331737 | KEY | 50 |
| HYD5255022 | CONN. 1/4 JIC X 1/4 NPT FMLE | 106,130 | KIT0000010 | SEAL KIT F/MLV0000416 | 112 |
| HYD5275080 | CONN. 1" JIC X 1" NPT FML BULKHEAD | 106 | KIT0000013 | SEAL KIT F/MLV1592CBG | 112 |
| HYD5315020 | STR. THD. CONN., -4 ORING X -4 JIC | 124 | KIT0000017 | O-RING SEAL KIT F/MLV0017304 | 112 |
| HYD5315033 | 3/8 JIC X 3/8 O-RNG ST THD CONN. | 124 | KIT0013120 | SEAL KIT-PLUNGER CYL. VALVE | 108 |
| HYD5315034 | 3/8 JIC X 1/2 O-RING STR THREAD CON | 124 | KIT0015001 | HEAVY BALL HITCH ASSY | 42 |
| HYD5315043 | CONN. 1/2 JIC X 3/8 O-RING STR THD | 112 | KIT0030000 | ELEMENT KIT (2 ELEMENT AND CONN) | 128 |
| HYD5315060 | 3/4JIC X 3/4 O-RNG ST THD CONN. | 74,76,90,106,112,124 | KIT046J515 | SEAL KIT F/MLV046J515 | 112 |
| HYD5315065 | 3/4 JIC X 5/8 O-RING ST THD CONN. | 124 | KIT0991010 | SEAL KIT F/MLV0000026 | 112 |
| HYD5315067 | 3/4JIC X 1" O-RNG ST THD CONN. | 78 | KITV507949 | BEARING SEAL | 68 |
| HYD5325030 | BULKHEAD UNION 3/8 JIC | 120 | KNF0014787 | MAIN FRAME STATION KNIFE | 22 |
| HYD5325050 | BULKHEAD UNION 5/8 JIC | 120 | KNF0022602 | PLUNGER CENTER KNIFE | 20 |
| HYD5355121 | 1-1/2JIC X 1-1/2NPT 45* MAL EL | 126 | KNF0027932 | PLG OUTER KNIFE AFT/11-93 | 20 |
| HYD5365060 | ELBOW 12M JIC X 12M ADJ 45 DEG | 112 | KNT0020500 | KNOTTER TRIP FRICTION DISC | 104 |
| HYD5365080 | ELBOW 16M O-RING X 16M JIC 45 DEG | 108 | KNT0024098 | METER WHEEL ASSEMBLY | 104 |
| HYD5375030 | 3/8 JIC 45* BLKHD UNION ELBOW | 64 | KNT0031232 | KNOTTER TRIP METER BAR | 104 |
| HYD5405060 | 3/4 JIC X 3/4 NPT M 90 ELBOW | 118,126 | KNT036402D | KNOTTER BRAKE DISC | 82 |
| HYD5515030 | ELBOW 6M JIC X 6M ADJ. 90 DEG | 108 | KNT036411A | DOUBLE KNOTTER PEDESTAL | 82 |
| HYD5515043 | 1/2 JIC X 3/8 O-RING 90* ELBOW | 52 | KNT036431D | TOP SLACK PULLER | 100 |
| HYD5515045 | 1/2 JIC X 5/8 O-RING 90* ELBOW | 52 | KNT036432B | TOP SLACK PULLER SIDE | 100 |
| HYD5515060 | ELBOW 3/4 JIC X 3/4 O-RING 90 DEG | 112,114 | KNT037069D | BOTTOM SLACK PULLER | 98 |
| HYD5515070 | ELBOW 16M X 16M JIC 90 DEG. | 108 | KNT037070A | BOTTOM SLACK PULLER SIDE | 98 |
| HYD5525030 | 3/8 JIC X 90* BLKHD UNION ELB | 64,106 | KNT037142B | DBL KNOT TWINE FINGER-MACHINED | 96 |
| HYD5605060 | BRNCH TEE 3/4 M X 12M JIC X 12 M JIC | 118 | KNT0600600 | KNOTTER HEAD ASSY | 88 |
| HYD5706060 | 3/4" JIC SWIVEL RUN TEE | 74,90,106 | KNT0613103 | DOUBLE KNOTTER COMPLETE | 84,86 |
| HYD5716020 | 1/4 TUBE 1/4 O-RING RUN TEE | 124 | KOB0000102 | REMOTE BOX MOUNTING KNOB | 150 |
| HYD5716060 | TEE 12 JIC X 12M ADJ. STR THD | 108 | LAT0000201 | RUBBER DRAW LATCH | 38 |
| HYD5924030 | 3/8 BULKHEAD NUT | 64,106,120 | LAT0129684 | LATCH, LIFT & TURN | 38 |
| HYD5924050 | BULKHEAD NUT 5/8 | 120 | LDR0016139 | PORTABLE LADDER | 28 |
| HYD5924080 | BULKHEAD NUT 1" | 106 | LDR0023313 | SERVICE LADDER ASSEMBLY | 40 |
| HYD7237020 | PLUG 6M | 108 | LEV0015533 | KNOTTER TRIP RESET LEVER | 104 |
| HYD7237030 | HEX HD PLUG 3/8 O-RING PLTD | 112 | LEV0015534 | KNOTTER TRIP METER BAR LEVER | 104 |
| HYD7237040 | HEX HD PLUG 1/2 O-RING PLTD | 112 | LEV0015537 | KNOTTER TRIP SPRING LEVER | 104 |
| HYD7237050 | HEX HD PLUG 5/8 O-RING PLTD | 112 | LEV0023055 | TOOTH BAR CAM LEVER | 58 |
| HYD7237060 | PLUG 12M | 108,112 | LEV036376B | TWINE FINGER SHEAR LEVER | 96 |
| HYD7237080 | PLUG 16M | 108 | LEV036393B | TWINE TUCKER FOLLOWER LEVER | 100 |
| HYD7629040 | 1/2 O-RING | 126 | LEV2527900 | L.H. MNTD WINDGRD SPRING LEVER | 56 |
| HYO00FA2US | SHAFT PACKING (SET) | 140 | LEV2527901 | R.H. MNTD WINDGRD SPRING LEVER | 56 |
| HYP TC4P | CLEVIS PIN | 138 | LIN0016227 | BEAM SUPPORT WEAR LINER | 8 |
| HYP TC35N | PISTON LOCK NUT | 136 | LIN0017159 | RESET LEVER WEAR LINER | 104 |
| HYP TC35O | HEAD O-RING ASSEMBLY | 136 | LIN0027227 | LH CTR CHMB LINER PLT-36" C/O | 14 |
| HYP FA22P | CLEVIS PIN W/COTTER PIN | 10 | LIN0027230 | FRT CTR CHMB LINER PLT-36" C/O | 14 |
| HYP FA22P | CLEVIS PIN W/COTTER PIN | 134 | LIN0027232 | CENTER REAR CHMB LINER-36" C/O | 14 |
| HYP00035EC | THEADED END CAP | 136 | LIN0027234 | RH REAR CHAMBER LINER -36" C/O | 14 |
| HYP000FA2E | PISTON HEAD | 140 | LIN0027235 | LH REAR CHAMBER LINER -36" C/O | 14 |
| HYP000FA2G | PACKING GLAND | 140 | LIN0027251 | RH FRONT CHAMBER LINER-36" C/O | 14 |
| HYP000FA2M | STEEL WASHER | 140 | LIN035768D | L FNT CHMB LINER-FOR 34.5" | 12 |
| | | | LIN035771D | CTR FNT CHMB LINER-FOR 34.5" | 12 |

PARTS INDEX CONT.

| Part No. | Description | Page No. | Part No. | Description | Page No. |
|------------|--------------------------------|----------|------------|----------------------------------|----------|
| LIN035773D | R FNT CHMB LINER-FOR 34.5" | 12 | MNT0252940 | LH REAR GAS SPG/BUMP MNT -A/92 | 26 |
| LIN035775D | L REAR CHMB LINER-FOR 34.5" | 12 | MNT0252941 | RH REAR GAS SPG/BUMP MNT -A/92 | 26 |
| LIN035778D | CTR REAR CHMB LINER-FOR 34.5" | 12 | MNT036384D | LH NEEDLE YOKE MOUNT ASSY | 80 |
| LIN035780D | R REAR CHMB LINER-FOR 34.5" | 12 | MNT036385D | RH NEEDLE YOKE MOUNT ASSY | 80 |
| LIN036839D | LEFT FRONT CHAMBER LINER | 16 | MNT036396B | TWINE FINGER SHAFT BRG MNT | 96 |
| LIN036840D | CENTER FRONT CHAMBER LINER | 16 | MNT036396B | TWINE FINGER SHAFT BRG MNT | 100 |
| LIN036841D | RIGHT FRONT CHAMBER LINER | 16 | MNT036412D | LEFT DOUBLE KNOTTER MOUNT | 82,90 |
| LIN037467D | LEFT BTM CHAMBER LINER | 22 | MNT036413D | RIGHT DOUBLE KNOTTER MNT | 82,90 |
| LIN037468D | CENTER BOTTOM CHM LINER | 22 | MNT036421D | LEFT KNOTTER MOTOR MOUNT | 90 |
| LIN037469D | RIGHT BOTTOM CHAMBER LINER | 22 | MNT036422D | RIGHT KNOTTER MOTOR MOUNT | 90 |
| LIN037630D | LEFT TOP 38" CHMB LINER | 16 | MNT036433E | TOP SLACK PULLER MOUNT | 100 |
| LIN037631D | CENTER TOP 38" CHMB LINER | 16 | MNT036444E | LOWER SLACK PULLER UPPER MNT | 98 |
| LIN037632B | RIGHT TOP 38" CHAMBER LINER | 16 | MNT036449B | BTM SLACK PULLER SPRING MNT | 98 |
| LIN037661E | FEED CHUTE LINER,UHMW | 72 | MNT036479B | DOUBLE KNOTTER CENTER BRG MNT | 84 |
| LIT0020171 | WORK LIGHT ASSY HALOGEN | 152 | MNT036725B | DOUBLE KNOTTER REAR BRAKE MNT | 82 |
| LIT0029888 | KNOTTER WORK LIGHT | 152 | MNT036726B | DOUBLE KNOTTER FRONT BRAKE MNT | 82 |
| LIT1410112 | LIGHT YELLOW 12 VOLT SEALED | 152 | MNT036728B | DOUBLE KNOTTER LS-1 MOUNT | 82 |
| LIT1410122 | LIGHT RED 12 VOLT SEALED | 152 | MNT036736B | DOUBLE KNOTTER CAM MOUNT | 84 |
| LIT7072901 | LIGHT SEALED BEAM 12 VOLT | 152 | MNT036744B | LEFT LUBER MOUNT BRACKET | 100 |
| LIT7072902 | PROTRUDING RING F/ LIT7072901 | 152 | MNT036745B | RIGHT LUBER MOUNT BRACKET | 100 |
| LITXVLA124 | LED INDICATOR LAMP 12 VDC | 148 | MNT036746D | LEFT SLACK PULLER MOUNT | 100 |
| LNK0015541 | KNOTTER TRIP SPRING LINK | 104 | MNT036747D | RIGHT SLACK PULLER MOUNT | 100 |
| LNK0023133 | FEEDER TINE LINK | 66 | MNT036748A | DOUBLE KNOTTER LS-7 MOUNT | 82 |
| LNK0025281 | WIND GUARD SPRING LINK | 56 | MNT037071B | KNOTTER TRIP WEAR LINER MNT | 104 |
| LNK0231330 | FEEDER TINE LINK ASSY | 66 | MNT037268B | LS-3 LIMIT SWITCH MOUNT | 194 |
| LNK035922B | KNOTTER ANCHOR LINK | 84 | MNT037492D | KNOTTER SLOWDOWN VALVE MOUNT | 114 |
| LNK036011B | FEED FORK LINK | 70 | MNT037719B | SOLENOID VALVE MOUNT | 74 |
| LNK036291B | FEEDFORK LINK PIN | 70 | MNT0505622 | MOUNT-SOLENOID VALVE | 106 |
| LOK0017500 | 1-3/4 LOCK COLLAR | 68 | MNT2527600 | L.H. OPTIONAL MNTD WINDGRD MNT | 56 |
| LTH1584700 | L. H. TWINE BOX DOOR LATCH | 32 | MNT2527601 | R.H. OPTIONAL MNTD WINDGRD MNT | 56 |
| LTH1584701 | R. H. TWINE BOX DOOR LATCH | 32 | MNT2541200 | L. H. REAR SHIELD/CLOSURE PLT | 28 |
| LUB0017169 | LUBER TANK ONLY | 92 | MNT2541201 | R. H. REAR SHIELD/CLOSURE PLT | 28 |
| LUB0032982 | LUBER, KNOTTER ASSY | 88 | MNT5061131 | RH MOUNT, DOOR STAY | 32 |
| LUB0047200 | 1/8" STRAIGHT RELIEF FITTING | 68 | MNT5064110 | LH MOUNT, DOOR STAY | 32 |
| LUB0083313 | INJECTOR, REPLACEMENT ONLY | 88 | MSR0010140 | MARKER STRIP-10 POST | 146 |
| LUB0833111 | LUBER ASSY, MANIFOLD, 1 HOLE | 88 | MSR005140Y | MARKER STRIP, 5 PLACE, 3/8 PITCH | 114 |
| LUB0833116 | LUBER ASSY, MANIFOLD, 6 HOLE | 88 | MSR008140Y | MARKER STRIP 8 POSITION | 146 |
| MNF036773D | TENSION VALVE MANIFOLD | 124 | MSR015140Y | MARKER STRIP,BARRIER BLOCK 15 | 146 |
| MNF0D8639B | MOTOR CONTROL MANIFOLD BODY | 114 | MTR0022706 | KNOTTER FAN MOTOR W/LEADS | 36 |
| MNT0013456 | PICKUP TOOTH MOUNT | 58 | MTR1091102 | HYDRAULIC MOTOR | 90 |
| MNT0015823 | PLUNGER SWITCH MOUNT | 144 | MTR1091104 | MOTOR HP15 CID | 76 |
| MNT0015827 | PLGR SWITCH MTG CHNL ASB | 144 | MTR1091104 | MOTOR HP 15 CID | 106 |
| MNT0018742 | SAE "AA" 2-BOLT PUMP MNT | 52 | MTR1121067 | MOTOR HP-23.9 CID | 78 |
| MNT0018946 | CHAR LYNN 6000 MOTOR MNT | 78 | MTR5000211 | FAN MOTOR ONLY | 130 |
| MNT0020255 | UNISTRUT P4100 CHANNEL | 10,120 | NSL0013750 | 1-3/8 SLOTTED NUT | 154 |
| MNT0022342 | ADJUSTMENT BAR MOUNT | 104 | NST0001032 | NUTSERT, 10-32 | 146 |
| MNT0023278 | DRV UNIT BELT TAKEUP-AFT/12-89 | 54 | OFL0000102 | OFFSET LINK | 76,78 |
| MNT0023283 | MAIN DOOR MOUNT ASSEMBLY | 26 | OFL0000102 | OFFSET LINK | 78 |
| MNT0023288 | TENS CONTROL PUMP MNT BKT | 52 | PAD0025218 | PAD W/ HOLES FOR | 100 |
| MNT0023349 | OIL COOLER MOUNT | 130 | PB 0159200 | OPERATOR/SERVICE MANUAL | 38 |
| MNT0023391 | CONTROL & FAN BOX MOUNT | 30 | PCY0013464 | PICKUP FINGER | 58 |
| MNT0023468 | TENSION PUMP MOUNT ASSY | 54 | PCY0017634 | P/U STRIPPER MOUNT ANGLE | 58 |
| MNT0023489 | L DOR SUP BRC W/ BAT MNT | 26 | PCY0023053 | PICK UP REEL PLATE | 58 |
| MNT0024096 | P/U LIFT CYL MNT-AF-11-90 | 64 | PCY0025859 | P/U LEFT HAND STRIPPER-AF/8-92 | 58 |
| MNT0024733 | MAKEUP CYL MOUNT | 6 | PCY0025860 | P/U CENTER STRIPPER -AFT/8-92 | 58 |
| MNT0024734 | LFT MAKEUP CYL MNT-A/8-91 | 20 | PCY0025861 | P/U RIGHT HAND STRIPPER-AF/92 | 58 |
| MNT0024735 | RT MAKEUP CYL MNT-AF-8/91 | 20 | PCY0028026 | P/U FRAME - 93" AFT/1-94 | 58,60,62 |
| MNT0026340 | BALE CHUTE MNT -AFT/11-92 | 22,24 | PDL0015668 | LH FEED SENSOR PADDLE- 38" | 94 |
| MNT0028883 | PTO SHAFT BRG MNT-A/8-94 | 48 | PDL0017210 | RH FEED SENSOR PADDLE-38" | 94 |
| MNT0231010 | LH FRONT TWINE BOX MOUNT | 32 | PDL0027207 | RH FEED SENSOR PADDLE -36" C/O | 94 |
| MNT0231011 | RH FRONT TWINE BOX MOUNT | 32 | PDL0027208 | LH FEED SENSOR PADDLE -36" C/O | 94 |
| MNT0231020 | LH REAR TWINE BOX MOUNT | 32 | PDL035816E | LH FEED SENSOR PADDLE,34-1/2" | 94 |
| MNT0231021 | RH REAR TWINE BOX MOUNT | 32 | PDL035817E | RH FEED SENSOR PADDLE,34-1/2" | 94 |
| MNT0233030 | L. H. GAS SPRING FRM MNT ASSY | 26 | PIN0015507 | PICKUP PIVOT PIN | 60,62 |
| MNT0233031 | R. H. GAS SPRING FRM MNT ASSY | 26 | PIN0021155 | PORTABLE LADDER PIN | 28 |

PARTS INDEX CONT.

| Part No. | Description | Page No. | Part No. | Description | Page No. |
|-------------|--|-------------|------------|---------------------------------------|--------------|
| PIN0023475 | SIDE DOOR HINGE PIN | 28 | REL0000332 | RELAY | 130 |
| PIN0024791 | PLUNGER CYLINDER PIN | 10 | REL0001002 | RELAY SOCKET | 114 |
| PIN00FHR44 | PLUNGER SPRING PIN | 104 | REL0001002 | RELAY SOCKET | 146 |
| PIN0375125 | 3/8 X 1-1/4 SNAPPER PIN | 60,84 | REL0253781 | RELAY 12V 10A MAG LATCH | 146 |
| PLG0014974 | PLUNGER SLIDE SHIM | 20 | REL5058963 | RELAY SPDT 12V 40A..... | 114,146 |
| PLG0014979 | REAR PLUNGER ROLLER BOLT | 20 | RES0045019 | 100 OHM 50 WATT POWER RESISTOR | 146 |
| PLG0022711 | NUT F/PLGR ROLLER BOLT | 20 | RES0045022 | 200 OHM 50 WATT POWER RESISTOR | 146 |
| PLG0022713 | PLUNGER ROLLER RAIL..... | 6 | RET0023770 | PLUNGER CYL GLAND RETAINER..... | 132 |
| PLG0024471 | FRONT MAKE UP CYL MOUNT BOLT..... | 10 | RET0023771 | RETAINER, TWINE BALL..... | 32 |
| PLG0024740 | FRT PLG ROLLER BOLT AF/8-91 | 20 | RIV0000106 | RIVET F/KNOTTER BRAKE LINING | 82 |
| PLG036161B | LEFT PLNGR FACE EXT, 34-1/2 CHMB | 12 | RIV0000604 | 3/16X1/4 STAINLESS GRIP RIVET..... | 38,40,60,130 |
| PLG036163B | RIGHT PLUNGER FACE EXT, 34-1/2" | 12 | RNG0002219 | O-RING VITON 90 DURO..... | 132 |
| PLG036165B | LEFT TOP PLG FACE EXT.34-1/2"ONLY | 18 | RNG0002219 | O-RING VITON 90 DURO..... | 132 |
| PLG036166B | RIGHT TOP PLG FACE EXT.34-1/2"ONLY | 18 | RNG0002230 | WEAR RING | 134 |
| PLG036797E | PLUNGER FRM ASSY 1592D | 20 | RNG0002245 | DURO POLYURETHANE O-RUING..... | 132 |
| PLG036817B | OUTSIDE PLUNGER FACE EXT | 12,14,16 | RNG0004914 | PISTON RING..... | 132 |
| PLG036818B | CENTER PLUNGER FACE EXT..... | 12,14,16,18 | RNG0005262 | SEALING RING F/1/2"CONNECTOR | 114,146,148 |
| PLG036821B | OUTSIDE PLUNGER FACE SUPPORT | 16,18, | RNG0005263 | SEALING RING F/3/4"CONNECTOR | 148 |
| PLG036822B | CENTER PLUNGER FACE SUPPORT | 16,18 | RNG0008342 | BACKUP RING | 132 |
| PLG036829B | LEFT PLNGR FACE EXT, 36 CHMB | 14 | RNG0023161 | THRUST RING..... | 68 |
| PLG036831B | RIGHT PLUNGER FACE EXT, 36" | 14 | RNG0023420 | O-RING VITON 90 DURO..... | 132 |
| PLG036833B | LEFT PLUNGER FACE EXTENSION..... | 16 | RNG0030107 | WEAR RING | 134 |
| PLG036835B | RIGHT PLUNGER FACE EXTENSION | 16 | RNG0149396 | RETAINING RING F/SLV0149918 | 54 |
| PLG037419E | 34 1/2" SIDE HAYDOG PLUNGER | 18 | RNG0170012 | SEALING RING..... | 50 |
| PLG037740B | LEFT PLUNGER FACE EXTENSION..... | 18 | RNG0175048 | SEAL RING | 50 |
| PLG037741B | RIGHT PLUNGER FACE EXTENSION | 18 | RNG0367718 | RING | 50 |
| PLG037744B | TOP LEFT FACE EXT PLATE 38" ONLY | 18 | RNG0367720 | SETTING RING..... | 50 |
| PLG037745B | TOP RIGHT FACE EXT PLATE 38" | 18 | RNG0702100 | RETAINING RING | 50 |
| PLG037746B | LEFT PLUNGER EXTENSION 36",38" | 18 | RNG5000500 | SNAP RING F/ FEEDER CRANK ARM | 70 |
| PLG037747B | RIGHT PLUNGER EXTENSION 36",38" | 18 | RNG5100275 | SNAP RING, EXTERNAL..... | 70 |
| PLG2599100 | LH PLUNGER SLIDE RAIL-AFT/9-921..... | 20 | RNG5160175 | 1-3/4"H.D.EXTERNAL SNAP RING | 52 |
| PLG2599101 | RH PLUNGER SLIDE RAIL-AFT/9-921..... | 20 | ROD0000160 | RH ROD END YOKE SIDE | 80 |
| PLT0021486 | BALL HITCH TOP PLATE -1592 | 42 | ROD0000600 | MORSE TM-6N ROD END - OR EQUAL..... | 94 |
| PLT0021487 | BALL HITCH BOTTOM PLATE | 42 | ROD0001600 | L. H. ROD END KNOTTER SIDE | 80 |
| PLT0021488 | CLEVIS PIN PLATE(HESSTON BALL)..... | 42 | ROD0015498 | DRIVE BELT TAKE UP ROD..... | 54 |
| PLT0022880 | ADJUSTMENT PIN PLATE | 104 | ROD0015671 | FEED SENSOR GUIDE ROD | 94 |
| PLT0367725 | DRIVE PLATE | 50 | ROD0015719 | CHAIN TIGHTENER ADJUSTMENT ROD | 78 |
| PLT0367726 | DRIVE PLATE | 50 | ROD0017217 | NEEDLE YOKE DRIVE ROD | 76 |
| PLT10951SP | SAFETY PLATE | 120 | ROD0023528 | DOOR BUMPER ADJ. ROD BOLT | 26 |
| PLU0035136 | ROLLER CHUTE SPRING PLUG..... | 22,24 | ROD0023698 | PLUNGER CYLINDER ROD | 132 |
| PLU0051056 | 2-1/4 CHROME BUTTON HEAD PLUG | 154 | ROD0024786 | MAKE-UP CYLINDER ROD | 134 |
| PLU0506009 | PLUG, STAY DOOR..... | 32 | ROD0025263 | P/U BALANCE SPG ROD F/EXTEND | 60 |
| PMP0000003 | AUTO LUBER PUMP | 92 | ROD0025329 | P/U MNT WINDGRD SPG ADJUST ROD | 56 |
| PMP0022226 | LEFT HAND PUMP-F/1592 | 52 | ROD0035594 | DBLE KNTTER NDLE YOKE DRIVE ROD | 80 |
| PNL036045E | MAIN CONTROL PANEL | 142 | ROD037018B | TWINE FINGER DRIVE ROD | 96 |
| PNL036047E | MAIN CONTROL PANEL ASSY..... | 146 | ROL0035115 | ROLLER ASSEMBLY..... | 24 |
| PNL037340B | KNOTTER SLOWDOWN CONTROL PAN | 114 | ROL0035138 | TWINE TENSIONER ROLLER | 102 |
| PPE00000125 | 1/8 XCLOSE NIPPLE, STD BLK PIPE..... | 88 | RS00010500 | .5MM WASHER-WORM SHF & KNF ARM | 86 |
| PPE0000750 | 3/4 CLOSE NIPPLE BLACK STEEL | 126 | RS03451926 | PIN F/TWINE HOLDER | 86 |
| PPE0001000 | 1" CLOSE NIPPLE BLACK STEEL | 126 | RS05227344 | SPIRAL PIN F/KNOTTER GEARS..... | 86 |
| PPE0040125 | 1/8 STD BLK PIPE TEE | 88 | RS20061311 | DOUBLE KNOTTER FRAME..... | 86 |
| PPE0500250 | 1/2" X 1/4" STD BLK HEX BUSH..... | 92 | RS20561321 | DOUBLE KNOTTER CAM GEAR..... | 86 |
| PPE1250300 | 1/8 X 3 STD BLK PIPE NIPPLE | 88 | RS20621360 | DOUBLE KNOTTER KNIFE SUP SPACER..... | 86 |
| PPE2001500 | 2 X1-1/2 STD BLK HEX BUSH | 126 | RS20632030 | DOUBLE KNOTTER JAW CAM..... | 86 |
| PRP0010000 | PROP FOR TWINE BOX LID..... | 34 | RS20637724 | KNIFE ARM PIN ONLY | 86 |
| PUL0000001 | PULLEY 1.25 OD X .25 BORE | 80,98,100 | RS20637801 | DOUBLE KNOTTER WORM SHAFT ASY..... | 86 |
| PWB3751250 | 3/8 X 1-1/4 NC #3 PLOW BOLT-ZP | 22,22 | RS20637832 | DOUBLE KNOTTER CLEANER | 86 |
| PWB3751500 | 3/8 X 1-1/2 NC #3 PLOW BOLT-ZP | 6,22 | RS20637841 | DOUBLE KNOTTER TWINE HOLDER..... | 86 |
| PWB3752000 | 3/8 X 2" NC #3 PLOW BOLT-ZP | 20 | RS20644360 | DOUBLE KNOTTER TWINE KNIFE | 86 |
| PWB5001750 | 1/2 X 1-3/4 NC #3 PLOW BOLT-ZP | 22 | RS20661060 | DOUBLE KNOTTER CIRCLIP | 86 |
| R13811435 | WASHER, STRUCTURAL, 5/8 | 24 | RS20661070 | DOUBLE KNOTTER WASHER 1.3MM SS | 86 |
| RAL0023318 | SERVICE LADDER HANDRAIL ASSY..... | 40 | RS20661080 | DOUBLE KNOTTER WASHER .5MM SS | 86 |
| RAL0024152 | SIDE RAIL ASSEMBLY | 40 | RS20661090 | DOUBLE KNOTTER ADJ WASH .2MM SS | 86 |
| RAL0024153 | REAR RAIL ASSEMBLY | 40 | RS20661120 | LOCKWASHER F/KNIFE ARM PIN | 86 |
| REL0000001 | TIMER, SINGLE SHOT, 12VDC, 1 SEC | 114 | RS20661130 | DOUBLE KNOTTER KEY | 84,90 |

PARTS INDEX CONT.

| Part No. | Description | Page No. | Part No. | Description | Page No. |
|-------------|--|----------|------------|---|----------|
| RS20661231 | DOUBLE KNOTTER KNIFE ARM..... | 86 | SHD0237731 | R.H. REAR DUST SHD ASSY | 38 |
| RS20661240 | DOUBLE KNOTTER TWINE DISC ASSY..... | 86 | SHD027449V | PTO SHAFT SHIELD -W/DECAL..... | 48 |
| RS20661260 | DOUBLE KNOTTER WORM GEAR PINION..... | 86 | SHD036133E | UPPER FRONT SHEAVE SHIELD | 38 |
| RS20661270 | DOUBLE KNOTTER BILL HOOK PINION..... | 86 | SHD0502998 | SHIELD - PICKUP CLUTCH | 60 |
| RS20661280 | DOUBLE KNOTTER BILL HOOK ASSY | 86 | SHD0506642 | SHIELD, PTO CLUTCH COVER | 38 |
| RS30501651 | DOUBLE KNOTTER TWINE KNIFE BOLT | 86 | SHD2734400 | LH P/U SIDE SHIELD SUPT. | 60 |
| RS33110851 | DOUBLE KNOTTER NUT..... | 86 | SHD2734401 | RH P/U SIDE SHIELD SUPT. | 60 |
| RS331112051 | NUT F/KNIFE ARM PIN | 86 | SHF0015527 | SHAFT-METER WHEEL | 104 |
| RS34262000 | DOUBLE KNOTTER SPACER..... | 86 | SHF0023127 | FEEDER CRANK SHAFT ASSEMBLY | 66,76 |
| SEL0000028 | SEAL KIT FOR VLV0000015 | 124 | SHF0023128 | CRANK SHAFT | 68 |
| SEL0000044 | SEAL KIT FOR VLV0000044 | 124 | SHF0023129 | CRANK SHAFT..... | 68 |
| SEL0000045 | SEAL KIT FOR VLV0000045 | 124 | SHF0023130 | LEFT BEARING SHAFT..... | 68 |
| SEL0000049 | SEAL KIT FOR VLV0000049 | 124 | SHF0023131 | RIGHT BEARING SHAFT | 68 |
| SEL0000051 | SEAL KIT FOR VLV0000051 | 124 | SHF0023203 | SHAFT ASSY DETAIL(INC. 5-10 & 16)..... | 68 |
| SEL0000059 | SEAL KIT FOR VLV0000059 | 124 | SHF0023204 | SHAFT ASSY DETAIL(INC. 5-11) | 68 |
| SEL0000063 | SEAL KIT F/MLV0000063..... | 124 | SHF0023255 | PRIMARY DRIVE SHAFT | 54 |
| SEL0000KT4 | SEAL KIT (INC. REF. 2,4,5,9 & 11)..... | 138 | SHF0025191 | P/U REEL SHAFT(EXT OPTION | 58 |
| SEL0001143 | ROD SEAL | 134 | SHF0025234 | 93" PICKUP DRIVE SHAFT | 62 |
| SEL0001182 | PLUNGER CYLINDER ROD SEAL..... | 132 | SHF0025438 | STRUCTURAL WASHER 5/8 -PLATED..... | 70 |
| SEL0001505 | SEAL KIT F/CYL0000205 | 140 | SHF0035112 | SHAFT | 24 |
| SEL0002006 | SEAL KIT-SUN LOGIC CARTRIDGE..... | 108,112 | SHF0035370 | 2-1/2 X .015 CAP PLATE SHIM | 70 |
| SEL0003006 | SEAL KIT-RELIEF VALVE CARTRIDGE..... | 108 | SHF0035371 | RIGHT FEED FORK CRANK SHAFT | 70 |
| SEL0010006 | SEAL KIT-NEEDLE VALVE CARTRIDGE..... | 108 | SHF0035372 | MAIN FEEDFORK SHAFT..... | 70 |
| SEL0017006 | SEAL KIT-PILOT CLOSE CHECK CART..... | 108 | SHF036372D | TWINE FINGER DRIVE SHAFT | 96 |
| SEL0019006 | SEAL KIT-LOGIC VALVE CARTRIDGE | 108 | SHF036390D | TWINE TUCKER - | 100 |
| SEL0024785 | SEAL KIT FOR CYL0024785 | 134 | SHF036448B | BOTTOM SLACK PULLER SHAFT- | 98 |
| SEL0033772 | GREASE SEAL | 154 | SHF036496D | FEED FORK DRIVE SHAFT | 70 |
| SEL0034823 | SEAL F/HUB | 58 | SHF036672E | DOUBLE KNOTTER SHAFT | 84 |
| SEL0047311 | SEAL KIT..... | 92 | SHM0000103 | SHIM-1-3/8"STEEL F/KNOTTER ASSY..... | 80 |
| SEL0061234 | REAR SEAL KIT..... | 106 | SHM0021483 | HITCH BALL SHIM | 42 |
| SEL0061236 | FRONT SEAL KIT | 106 | SHM0022717 | REAR ROLLER RAIL SHIM | 6 |
| SEL0149223 | GREASE SEAL F/SLV0149918 | 54 | SHM0022718 | FRONT ROLLER SHIM | 20 |
| SEL0816655 | AMP CONN FLANGE SEAL, SHELL 23..... | 150 | SHM0022727 | REAR ROLLER RAIL SHIM | 6 |
| SEL0TC3516 | SEAL KIT F/CYL0TC3516..... | 136 | SHM0023544 | SHIELD SUPPORT SHIM | 26 |
| SGN0024006 | SIGN #2 SMV PLASTIC..... | 152 | SHM0023545 | SHIELD SUPPORT SHIM | 26 |
| SHD0020822 | SHIELD-10 POST JUNC. BLOCK | 130 | SHM0027993 | OUTSIDE PLG KNIFE SHIM-A/11-93..... | 20 |
| SHD0023286 | TOP LEFT SHIELD | 28 | SHM0027994 | OUTSIDE PLG KNIFE SHIM-A/11-93..... | 20 |
| SHD0023287 | TOP RIGHT SHIELD | 28 | SHM0028130 | PLNGR ROD END SHIM (.015)..... | 10 |
| SHD0023373 | LEFT FAN SHIELD1 | 130 | SHM0028363 | PLNGR ROD END SHIM (.032)..... | 10 |
| SHD0023375 | RIGHT FAN SHIELD | 130 | SHM0226040 | 16 GA CENTER KNIFE SHIM..... | 20 |
| SHD0023399 | LOWER RIGHT FRONT SHIELD | 30 | SHM0226041 | 30 GA CENTER KNIFE SHIM | 20 |
| SHD0023412 | DRIVE UNIT TOP SHIELD | 38 | SHM036712A | DOUBLE KNOTTER SHIM-22GA..... | 84 |
| SHD0023422 | MAIN SHEAVE BOTTOM SHIELD..... | 38 | SHM036869A | TWINE TUCKER STOP SHIM | 82 |
| SHD0023440 | FLYWHEEL FRONT SHIELD BOTTOM..... | 54 | SHM037359A | FLYWHEEL BRG SHIM-16GA | 54 |
| SHD0023442 | SHEAVE FRONT LOWER SHIELD | 38,64 | SHM037360A | FLYWHEEL BRG SHIM-30GA | 54 |
| SHD0024071 | LOWER LFT FRT SHD-A/11-90..... | 30 | SHM037460A | FLYWHEEL BRG SHIM-38GA | 54 |
| SHD0026246 | FLYWHEEL FRT SHD TOP ASSY-A/92..... | 54 | SHM037463A | FLYWHEEL BRG SHIM-10GA | 54 |
| SHD0027342 | RIGHT P/U SHIELD-AFT/1-93 | 60 | SHR0023365 | OIL COOLER SHIELD | 130 |
| SHD0027343 | LEFT P/U SHIELD -AFT/1-93 | 60 | SHR0023371 | OIL COOLER FAN SHROUD..... | 130 |
| SHD0032078 | LEFT REAR SHIELD | 28 | SHV0000079 | SHEAVE | 52 |
| SHD0032079 | RIGHT REAR SHIELD | 28 | SHV0000080 | FLYWHEEL & DRIVE SHEAVE | 52 |
| SHD0096569 | STAY, SHIELD DOOR..... | 32 | SHV0000250 | SHEAVE | 52 |
| SHD0176360 | LH P/U BACKING SHIELD | 60 | SLV0015542 | KNOTTER TRIP PIVOT BOLT SLEEVE | 104 |
| SHD0176361 | RH P/U BACKING SHIELD | 60 | SLV0018935 | SHOCK BUSHING BOLT SLEEVE | 70 |
| SHD0234050 | TOP FRONT SHIELD, LEFT..... | 38 | SLV0149918 | SLEEVE F/CPL18917 | 54 |
| SHD0234051 | TOP FRONT SHIELD, RIGHT | 38 | SOK0000001 | METAL BALL SOK END FITTING..... | 36 |
| SHD0235000 | L. H. DRIVE UNIT DUST SHD | 38 | SOK0012063 | SOCKET-7 CONDUCTOR | 38 |
| SHD0235001 | R.H. DRIVE UNIT DUST SHD | 38 | SPC0016465 | TWINE GUIDE COVER SPACER | 32 |
| SHD0235050 | L.H. DRV UNIT SHIELD ASB | 38 | SPC0016465 | TWINE GUIDE COVER SPACER..... | 34 |
| SHD0235051 | R.H. DRV UNIT SHIELD ASB | 38 | SPC0016659 | P/UP LIFT SPRING ANCHOR SPACER..... | 60 |
| SHD0235080 | L. H. SHEAVE DUST SHIELD | 38 | SPC0017429 | SPACER - HEAT EXCHANGER | 130 |
| SHD0235081 | R. H. SHEAVE DUST SHIELD | 38 | SPC0017669 | P/UP IDLER SPROCKET SPACER | 62 |
| SHD0237720 | LH SIDE DUST SHD ASSY | 38 | SPC0021489 | CLEVIS PLT SPACER(HESSTON BALL | 42 |
| SHD0237721 | RH SIDE DUST SHD..... | 38 | SPC0023264 | LINK MOUNT SPACER..... | 70 |
| SHD0237730 | L.H. REAR DUST SHD ASSY | 38 | SPC0023265 | LINK MOUNT SPACER..... | 70 |

PARTS INDEX CONT.

| Part No. | Description | Page No. | Part No. | Description | Page No. |
|------------|----------------------------------|----------|-------------|--------------------------------|-------------|
| SPC0023370 | SPACER-HEAT EXCHANGER | 130 | SUP0234501 | R. H. REAR SHD UPPER SUPT | 26 |
| SPC0023696 | PLUNGER CYL TRUNION SPACER | 132 | SUP0252950 | L.H REAR SHD LOWER SUPT-A/3-92 | 26 |
| SPC0024097 | P/U LIFT CYL MNT SPACER | 64 | SUP0252951 | R.H REAR SHD LOWER SUPT-A/3-92 | 26 |
| SPC0025340 | MNTD WINDGRD SPG SPACER/SLIDER | 56 | SUP036360D | L.H. NEEDLE YOKE PIVOT SUPRT | 80 |
| SPC0025812 | CHAIN ANCHOR SPACER-AF/92 | 22 | SUP036361D | RH NEEDLE YOKE PIVOT SUPRT | 80 |
| SPC0028022 | NIPPONDENSO ALTERNATOR SPACER | 52 | SUP036464B | BTM SLACK PULLER SHFT SUP BKT | 98 |
| SPC0034397 | FEEDER BEARING SEAL SPACER | 68 | SUP037147D | CENTER BEARING SUPPORT | 84 |
| SPC0035139 | TWINE TENSIONER SPACER | 102 | SUP1763500 | LH PICKUP SHIELD SUPPORT | 60 |
| SPC035999A | GIMBAL FRAME SPACER | 10 | SUP1763501 | RH PICKUP SHIELD SUPPORT | 60 |
| SPC036086A | CONTROL PANEL SPACER | 146 | SUP5061231 | RH KNOTTER COVER SUPPORT | 36 |
| SPC036403A | KNOTTER BRAKE SPACER | 82 | SUP5061240 | LH KNOTTER COVER SUPPORT | 36 |
| SPC036404A | TWINE TUCKER CAM SPACER | 82 | SUP5061370 | LEFT SIDE FRNT CHANNEL SUPPORT | 26 |
| SPC036406A | NEEDLE YOKE DRIVE SPACER | 82 | SUP5061381 | RIGHT SIDE FRONT CHANNEL SUPPT | 26 |
| SPC036451A | KNOTTER DRIVE IDLER SPACER | 90 | SWI0000001 | POWER ROCKER SWITCH | 150 |
| SPC036711A | DOUBLE KNOTTER SPACER 3/16" | 84 | SWI0000003 | BALER CONTROL ROCKER SWITCH | 148,150 |
| SPC0506402 | SPACER, KNOTTER FANS | 36 | SWI0000004 | PUSHBUTTON SWITCH | 150 |
| SPG0000090 | 90 LB GAS SPRING | 36 | SWI0000007 | ROCKER SWITCH,3 POS DPDT MOM. | 146,150 |
| SPG0010555 | BRAKE ACTUATING CYLINDER SPRNG | 56 | SWI0000100 | KEYSWITCH OPERATOR, 3 POS | 146,148 |
| SPG0011549 | RETURN SPRING | 112 | SWI0000082A | SWITCH - LIQUID LEVEL | 126 |
| SPG0017462 | PICKUP LIFT SPRING | 60 | SWI0005079 | LIMIT SWITCH -4 POST | 78,82,94 |
| SPG0023160 | SIDE HAY DOG SPRING-A/95 | 8 | SWI0005081 | LIMIT SWITCH -8 POST | 82,104 |
| SPG0023737 | PLUNGER CYLINDER SPRING | 132 | SWI037701D | ASSY,SWITCH ;D; LS-1 | 142 |
| SPG0025309 | WINDGUARD OVERTRAVEL SPRING | 56 | SWI037702B | ASSY,SWITCH ;B; LS-2 | 142 |
| SPG0035137 | SPRING, EXT | 24 | SWI037703B | ASSY, SWITCH ;B; LS-3 | 142 |
| SPG0332185 | LEAF SPRING | 50 | SWI037704D | ASSY, SWITCH ;D; LS-4 | 142,144 |
| SPG0750350 | COMPRESSION SPRING | 102 | SWI037704D | ASSY, SWITCH ;D; LS-4 | 144 |
| SPG1789105 | SPRING EXT | 22 | SWI037705B | ASSY,SWITCH ; B; LS-2 | 144 |
| SPK0000536 | SPROCKET | 62 | SWI037706B | ASSY,SWITCH ;B; LS-6 | 142,144 |
| SPK0000554 | SPROCKET | 62 | SWI037707B | ASSY,SWITCH ; B; LS-7 | 142 |
| SPK0002416 | SPROCKET IDLER 17T 1/2"B | 62 | SWI037708B | ASSY,SWITCH ;B; LS-8 | 144 |
| SPK0005023 | SPK 1-1/4BORE 1/4 | 62 | SWI037709B | ASSY,SWITCH ;B; LS-9 | 142,144 |
| SPK0005035 | SPK 1-1/4BORE 1/4 | 62 | SWI037710B | ASSY,SWITCH ;B; LS-10 | 142,144 |
| SPK0005041 | SPROCKET TAPER LOCK | 62 | SWI037711D | ASSY,SWITCH;D; LS-11 | 142 |
| SPK0008072 | SPROCKET | 70 | SWI037712D | ASSY, SWITCH ;D; LS-12 | 142 |
| SPK0008072 | SPROCKET | 78 | SWI037713D | SWITCH ASSY,LS-13; | 142 |
| SPK0017769 | P/UP DRIVE SPROCKET | 62 | SWI0CH5079 | LIMIT SWITCH -4 POST | 142 |
| SPK0035580 | DOUBLE KNOTTER SPROCKET | 82 | SWI0CH5079 | LIMIT SWITCH -4 POST | 142,144 |
| SPK0035580 | DOUBLE KNOTTER SPROCKET | 90 | SWI0CH5081 | LIMIT SWITCH -4 POST | 80,142,144 |
| SPK0041B40 | SPK 2-3/16"BORE F/DOUBLE KNOTTER | 84 | TBE0002501 | TUBE TO TANK W/SLEEVE | 88 |
| SPK0080190 | SPROCKET | 76 | TBE0002509 | TUBING W/SLEEVE TO CHN-1/4"NYL | 88 |
| SPK0080210 | SPROCKET | 78 | TBE0023717 | TUBE-FRONT TENSION RETURN | 120,122 |
| SPK0080360 | SPROCKET | 62,76 | TBE0023718 | TUBE-FRONT TENSION PRESSURE | 120,122 |
| SPK0115365 | IDLER SPROCKET | 62,76 | TBE0023719 | TUBE-FRONT TENSION PILOT | 106,120,122 |
| SPK0602202 | 1592 PICKUP DRIVE SPROCKET | 62,76 | TBE0024975 | TUBE-PLUNGER VLV-BULKHEAD | 106,110 |
| SPK128012S | IDLER SPOCKET | 76,78 | TC 000004C | TUBE ASSEMBLY | 138 |
| SPK60SDS21 | MOTOR DRIVE SPROCKET W/ BSH | 90 | TC 000004E | HEAD | 138 |
| SPN0017647 | 5/16**P/U WHEEL SPN | 58 | TC 000004O | HEAD O-RING ASSEMBLY | 138 |
| SPN0023108 | WHEEL SPINDLE | 154 | TC 000004V | PISTON | 138 |
| STD0000M10 | BALL STUD | 36 | TC 000035C | TUBE ASSEMBLY | 136 |
| STD9530331 | WHEEL STUD | 154 | TC 000035E | HEAD | 136 |
| STO036727A | TWINE TUCKER STOP | 82 | TC 000035P | CLEVIS PIN | 8,136 |
| STP0002000 | STEP COVER-SAFETY WALK 2" | 8,40 | TC 000035S | SHAFT ASSEMBLY | 136 |
| SUP0021636 | ANCHOR SUPPORT | 54 | TC 000035V | PISTON | 136 |
| SUP0022487 | FEEDER GUARD SUPPORT | 72 | TC 00004RW | ROD WIPER | 138 |
| SUP0023344 | LADDER SUPPORT | 40 | TC 00004SC | SET SCREW | 138 |
| SUP0023357 | LOWER RIGHT DOOR SUPPORT | 26 | TC 00004SO | SMALL O-RING | 138 |
| SUP0023479 | LOWER LEFT DOOR SUPPORT | 26 | TC 00004UP | PISTON PACKING (SET) | 138 |
| SUP0216270 | LH FLYWHEEL FRM MNT SUPT-A/87 | 6 | TC 00004US | SHAFT PACKING | 138 |
| SUP0216271 | RH FLYWHEEL FRM MNT SUPT-AF/87 | 6 | TC 00035RW | ROD WIPER | 136 |
| SUP0233270 | L. H. CENTER SHLD SUP LEG | 26 | TC 00035SC | SET SCREW | 136 |
| SUP0233271 | R. H. CENTER SHLD SUP LEG | 26 | TC 00035SO | SMALL O-RING | 136 |
| SUP0233771 | RIGHT OIL COOLER FAN MTR MOUNT | 130 | TC 00035US | SHAFT PACKING | 136 |
| SUP0234070 | LH KNOTTER COVER SUPPORT | 36 | TC 00035VP | PISTON PACKING | 136 |
| SUP0234071 | RH KNOTTER COVER SUPPORT | 36 | TEB0472102 | 2 POST TERMINAL BLOCK | 130 |
| SUP0234500 | L. H. REAR SHD UPPER SUPT | 26 | TEB0472110 | 10 POST TERMINAL BLOCK | 130 |

PARTS INDEX CONT.

| Part No. | Description | Page No. | Part No. | Description | Page No. |
|-------------|--|------------|------------|--|----------|
| THM001592D | THERMOSTAT, PROBE TYPE | 112 | YOK2400700 | RR FRAME CHAMBER YOKE ASY..... | 6 |
| THM0018054 | 220F TEMP WIRING HARNESS | 126 | ZZ 0000100 | 1/4-28 STR 5/16 HEX ZERK..... | 80 |
| TIN0231340 | L. H. FEED CRANK TINE | 66 | ZZ 0000103 | 1/8 NPT STR 5/16 HEX ZERK..... | 42,68 |
| TIN0231341 | R. H. FEED CRANK TINE | 66 | ZZ 0000104 | 1/8 NPT 90° X 7/16 HEX ZERK | 54 |
| TIR0000001 | TIRE/WHEEL, WHITE..... | 154 | ZZ 0000105 | 1/8 NPT STR 5/16 HEX ZERK..... | 54 |
| TIR0004008 | TIRE F/1500 P/U(400X8 4 PLY)..... | 58 | ZZ 0000107 | 1/8 NPT 45° X 7/16 HEX ZERK | 54 |
| TIR0199128 | 4.00 X 8 TUBE F/TIR4008 | 58 | ZZ 0000107 | 1/8 NPT 45° X 7/16 HEX ZERK | 54 |
| TIR2312610 | TIRE | 154 | ZZ 0000203 | 1-3/4 X 18 GA MACHINE BUSHING..... | 68 |
| TNG0025604 | FRONT TONGUE ASSEMBLY | 6 | ZZ 0000219 | 1 X 2 X 14 GA MACHINE BUSHING | 58 |
| TNK037723E | TANK, HYDRAULIC OIL | 126 | ZZ 0000238 | MACH. BSNG 1-3/8 X 2-1/2 X 10 GA | 154 |
| TNS0020209 | TOP TEN RAIL CTR PIVOT BOLT..... | 8 | ZZ 0000403 | 1/8 X 1/8 X 1 KEY | 92 |
| TNS0022340 | SIDE TENS RAIL PIVOT BOLT-1500..... | 8 | ZZ 0000404 | 3/16 X 3/16 X 1-1/2 KEY | 104 |
| TNS0022468 | TOP TENS RAIL COMPRESSION BEAM | 8 | ZZ 0000406 | 1/4" X 1/4" X 1" KEY..... | 62 |
| TNS0025988 | SIDE TENSION RAIL -AFT/9-92..... | 8 | ZZ 0000432 | 5/16 X 5/16 X 1-5/8 KEY | 76 |
| TNS0028067 | TOP TENSION RAIL-AF/12/93-1592 | 8 | ZZ 0000438 | 3/8 X 3/8 X 1 KEY | 62 |
| TNS0035148 | TWINE ROLLER TENSIONER ASSY..... | 98,100,102 | ZZ 0000451 | 1/2 X 1/2 X 1-1/2 KEY | 54,68 |
| TNS2287200 | LEFT COMPRESSION BEAM | 8 | ZZ 0000453 | 1/2 X 1/2 X 1 KEY | 68 |
| TNS2287201 | RIGHT COMPRESSION BEAM..... | 8 | ZZ 0000454 | 1/4 X 1/4 X 2 KEY | 62 |
| UBL1375225 | U-BOLT 3/8-16 | 98 | ZZ 0000458 | 1/2 X 1/2 X 4-1/2 KEY | 76 |
| VLV0000015 | 1592 TENSION CAVITY PLUG..... | 124 | ZZ 0000705 | 1/4 X 2 ROLL PIN..... | 60,62 |
| VLV0000026 | RELIEF VALVE CARTRIDGE | 112 | ZZ 0000715 | 1/4 X 1-3/4 ROLL PIN | 58 |
| VLV0000034 | RELIEF VLV CART,53GPM,6000 PSI..... | 74,106 | ZZ 0000726 | EXPANSION PIN 3/16 X 1 | 104 |
| VLV0000035 | VALVE SUBPLATE,DO5 W/10-2 CAVITY | 74,106 | ZZ 0000728 | 1/4 X 1 ROLL PIN..... | 10 |
| VLV0000044 | DIRECTIONAL VALVE F/ MNF036773D | 124 | ZZ00000100 | 1/4-28 STR 5/16 HEX ZERK..... | 70 |
| VLV0000049 | SPOOL VALVE, 2 WAY,NO,10 VDC..... | 124 | ZZ00000403 | 1/8 X 1/8 X 1 KEY | 52 |
| VLV0000051 | CHECK VALVE CARTRIDGE, 5 PSI | 124 | ZZ00000438 | 3/8 X 3/8 X 1 KEY | 52 |
| VLV0000053 | SPOOL VALVE CARTRIDGE..... | 124 | ZZ00000456 | 5/8" X 5/8" X 2-1/2" KEY | 70 |
| VLV0000055 | VALVE ADJUSTING KNOB KIT | 124 | ZZ00000456 | 5/8" X 5/8" X 2-1/2" KEY | 78 |
| VLV0000056 | DIRECTIONAL VALVE CARTRIDGE, NC..... | 124 | ZZ00000500 | 5/16" NC NUTSERT | 130 |
| VLV0000059 | RELIEF VALVE..... | 124 | ZZ00002004 | SET COLLAR 1-1/2" STEEL | 96,100 |
| VLV0000062 | SOLENOID VALVE 4 WAY 3 POS 12VDC..... | 74,106 | ZZ00020002 | SET COLLAR, 2-3/16..... | 84 |
| VLV0000063 | TENSION CONTROL VALVE..... | 124 | | | |
| VLV0000064 | TENSION VALVE CARTRIDGE | 124 | | | |
| VLV0000090 | DIRECTIONAL VALVE | 114 | | | |
| VLV0000091 | FLOW CONTROL VALVE | 114 | | | |
| VLV0000416 | VALVE-RESERVOIR | 112 | | | |
| VLV0000453 | CHECK VALVE..... | 106 | | | |
| VLV00006001 | VALVE 1" BALL BRASS | 126 | | | |
| VLV0013120 | PLUNGER CYL. VALVE ASSY COMP..... | 106,108 | | | |
| VLV0017304 | FEEDER VALVE MANIFOLD BODY | 112 | | | |
| VLV0028071 | PLUNGER CYL. VALVE W/O FITTINGS | 108 | | | |
| VLV0075005 | CHECK VALVE 3/4 X 5LB..... | 126 | | | |
| VLV00B1113 | AUTO LUBER VALVE | 88 | | | |
| VLV046J515 | VALVE | 112 | | | |
| VLV1312000 | PLUNGER CYL. VALVE BODY..... | 108 | | | |
| VLV1592CBE | COUNTER BALANCE VALVE..... | 112 | | | |
| VLV1592CBG | COUNTER BALANCE VALVE..... | 112 | | | |
| VLV1730401 | VALVE-KNOTTER/FEED COMPLETE | 112 | | | |
| VLVCBGYLHV | COUNTERBALANCE VALVE..... | 108 | | | |
| VLVCOHBXFP | PILOT CLOSE CHECK CARTRIDGE | 108 | | | |
| VLVCXHAXCV | CHECK VALVE CARTRIDGE | 108 | | | |
| VLVLKFCXDV | SUN LOGIC CARTRIDGE #5 | 108 | | | |
| VLVLKJCXDV | LOGIC VALVE CARTRIDGE | 108 | | | |
| VLVNCCBLV | NEEDLE VALVE CARTRIDGE..... | 108 | | | |
| VLVRPECLQV | RELIEF VALVE CARTRIDGE | 108 | | | |
| VLVRPGCLCV | RELIEF VALVE CARTRIDGE | 108 | | | |
| WHL0401530 | WHL/TIR ASSY 4 X 8 | 58 | | | |
| WHL0412530 | WHEEL-8 X 3.75(4 ON 4)P/U | 58 | | | |
| WHL1029201 | WHEEL - NO BRAKES | 154 | | | |
| WIP0022693 | SWITCH CAM WIPER | 20 | | | |
| WIP0110023 | ROD WIPER | 134 | | | |
| WIP0110042 | PLUNGER CYLINDER ROD WIPER..... | 132 | | | |
| YOK0174039 | INBOARD YOKE F/DRV389774 1-3/4..... | 44 | | | |
| YOK036353E | NEEDLE YOKE ASSEMBLY - 1600..... | 80 | | | |
| YOK036485D | REMOTE CONTROLLER MOUNT YOKE | 150 | | | |



To find a dealer in your area,
Call: 503-625-2560,
Fax: 503-625-7269, or

Visit our website: <http://www.alliedsystems.com>

Allied Systems
COMPANY

PB0001592D 12/05
Printed in USA



To find a dealer in your area,
Call: 503-625-2560,
Fax: 503-625-7269, or

Visit our website: <http://www.alliedsystems.com>

Allied Systems
COMPANY

PB0001592D 12/05
Printed in USA