

FREEMAN *Hydraulic* SOLID WASTE BALER

Mini-Baler



J.A. FREEMAN & SON, INC.

MODEL 360 A WASTE BALER

CAUTION

READ AND UNDERSTAND THE FOLLOWING PAGES COMPLETELY BEFORE ATTEMPTING ANYTHING WITH THE BALER. FAILURE T'O DO SO COULD RESULT IN EQUIPMENT DAMAGE OR PERSONAL INJURY.

GENERAL INFORMATION

THIS BALER IS DESIGNED FOR THE BALING OF PLYABLE MATERIAL. IT WILL NOT BALE METAL, WOOD, OR OTHER SOLID MATERIAL.

THE BALER REQUIRES 110 V, SINGLE PHASE., 60 CYCLE ELECTRICAL POWER.

THE BALER SHOULD BE INSTALLED ON A SUBSTANTIAL FLOOR TO INSURE THAT THE BALER WILL SET LEVEL.

THE ELECTRICAL CONTROLS ARE NOT WEATHERPROOF, AND AS SUCH, THEY MUST BE PROTECTED FROM THE WEATHER.

ELECTRICAL

THE BALER IS EQUIPPED WITH A 110 V, SINGLE PHASE, 60 CYCLE ELECTRIC MOTOR. IT HAS A STARTER BOX WITH A START-STOP SWITCH LOCATED WITHIN THE BOX. THE BALER MAY BE CONNECTED TO ANY SOURCE OF 110 V ELECTRICAL SUPPLY BY ANY MEANS THAT WILL MEET LOCAL CODES.

MAINTENANCE

THE BALER REQUIRES VERY LITTLE MAINTENANCE. AFTER ABOUT 40 BALES THE WEAR POINTS SHOULD HAVE A LITTLE GREASE APPLIED. THIS WILL PREVENT EXCESSIVE WEAR.

IF THE NEED SHOULD ARISE TO ADD OIL TO THE BALER, THE FOLLOWING OIL SHOULD BE USED

USE ANTI-WEAR HYDRAULIC OIL 150 - 120 SSU AT 100°F OR AUTOMATIC TRANSMISSION OIL OR SAE 10-40 ENGINE OIL

IMPORTANT NOTICE

YOUR 360 A BALER HAS BEEN EQUIPPED WITH BALE EJECTION CABLES. THESE CABLES ARE ATTACHED TO THE BOTTOM OF THE BALE FLOOR. BEFORE STARTING A BALE, MAKE SURE THE FREE END-OF THE EJECTOR CABLES ARE PLACED OVER THE TIE WIRE HOOKS, LOCATED IN THE REAR CHAMBER SLOTS. PLACE YOUR BALE TIE WIRES AND PROCEED FOLLOWING THE INSTRUCTIONS CONTAINED IN THIS BOOK.

AFTER THE BALE HAS BEEN FORMED AND TIED OFF, RETRACT THE PLUNGER CYLINDER, ONLY UNTIL THE LOADING DOOR OPENS TO 8" ABOVE THE BALE DOOR. IMPORTANT: AT THIS TIME YOU MUST UNLATCH THE BALE DOOR. WITH THE BALE DOOR UNLATCHED PLACE THE EJECTOR CABLES OVER THE BARS AT THE REAR OF THE PLUNGER SLOTS. RETURN THE PLUNGER TO THE UP POSITION. REMOVE BALE FROM CHAMBER. REPLACE EJECTOR CABLES IN TIE WIRE SLOTS. CLOSE AND LOCK BALE DOOR AND PROCEED AS ABOVE.

OPERATING INSTRUCTIONS

1. MAKE SURE THAT THE VALVE IS IN THE NEUTRAL POSITION. (THE HANDLE SHOULD BE STRAIGHT UP)
2. PUSH THE START BUTTON, THIS WILL START THE UNIT.
3. PULL THE VALVE HANDLE FORWARD, THIS WILL LOWER THE PLUNGER UNTIL THE UNIT SHUTS OFF AT THE END OF THE STROKE.
4. REPLACE THE VALVE INTO THE NEUTRAL POSITION AND START THE UNIT AGAIN BY PUSHING THE START BUTTON.
5. PUSH THE VALVE HANDLE BACK AND THE PLUNGER WILL RAISE. THE LOADING DOOR WILL RAISE AUTOMATICALLY AS THE PLUNGER IS RAISED.
6. FILL THE BALER WITH WASTE MATERIAL.
7. CLOSE THE LOADING DOOR BY PULLING OUT ON THE HANDLE AND LETTING THE DOOR CLOSE.
8. MAKE SURE THAT THE VALVE HANDLE IS IN THE NEUTRAL POSITION AND START THE UNIT BY PUSHING THE START BUTTON.
9. PULL THE VALVE HANDLE FORWARD AND THE PLUNGER WILL COMPACT THE MATERIAL. THE UNIT WILL SHUT OFF WHEN THE PLUNGER GETS TO THE END OF ITS STROKE.
10. REPEAT STEPS 4 & 5
11. REPEAT THE ABOVE PROCEDURE UNTIL ENOUGH MATERIAL HAS BEEN COMPACTED TO MAKE A BALE.
12. TIE OFF BALE BY LOWERING PLUNGER UNTIL IT IS ABOUT 4 INCHES BELOW THE TOP OF THE CHAMBER DOOR.
13. TIE BALE BY RUNNING WIRES THROUGH THE SLOTS AT THE TOP AND BOTTOM OF THE BALE CHAMBER. IT IS BEST TO RUN THESE WIRES FROM THE BACK TOWARDS THE FRONT. AFTER THE WIRES HAVE BEEN RUN THROUGH, PULL THEM TIGHT AND TWIST THEM TO FORM A TIE.
14. RAISE PLUNGER.
15. UNLATCH THE CHAMBER DOOR AND TIP THE BALE OUT.
16. CLOSE THE CHAMBER DOOR AND REPEAT THE ABOVE PROCEDURE.

THE WIRES CAN ALSO BE PLACED IN THE CHAMBER BEFORE THE BALE IS MADE. THIS IS DONE BY RUNNING THE WIRES THROUGH THE CHAMBER DOOR, ALONG THE BOTTOM OF THE CHAMBER AND UP THE BACK. THEY CAN THEN BE HOOKED TO THE HOOKS PLACED AT THE TOP OF THE SLOTS IN THE BACK OF THE CHAMBER. THE ENDS OF THE WIRE WILL THEN HAVE TO BE LEFT EXTENDING OUT THE FRONT OF THE BALER.

TROUBLE SHOOTING

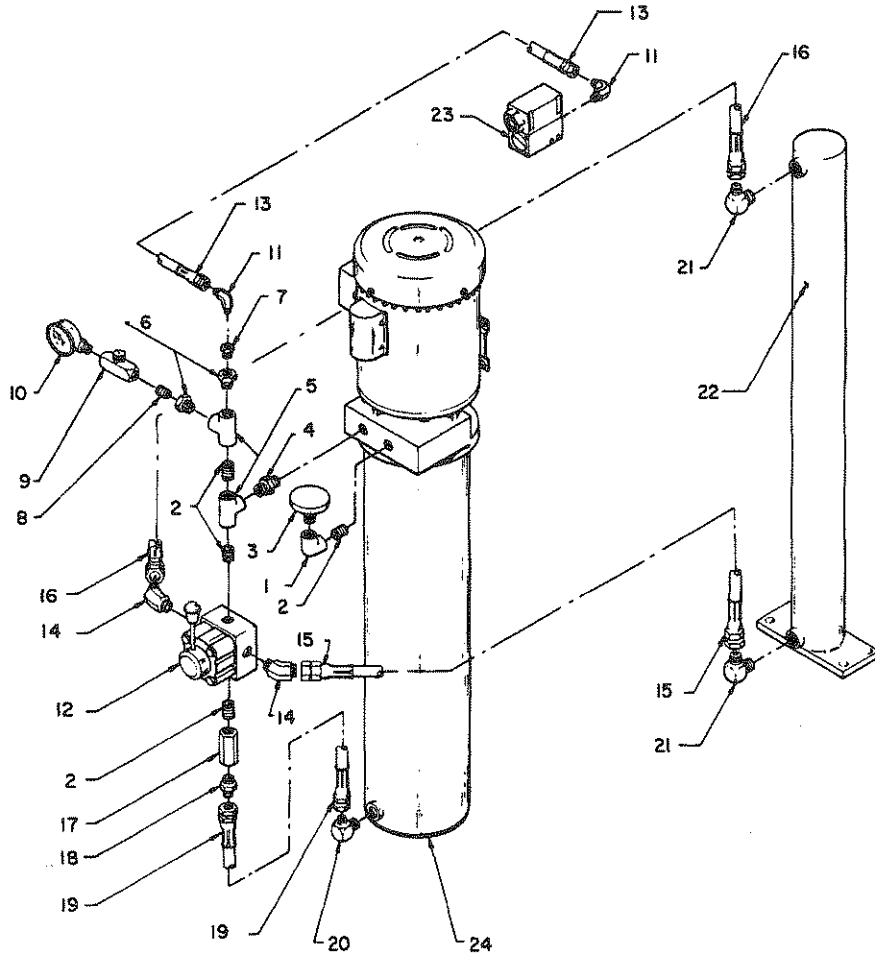
IF THE BALER FAILS TO START.

1. MAKE SURE THAT THE LOADING DOOR IS CLOSED. THE BALER WILL NOT START IF THE DOOR IS OPEN.
2. PUSH THE RESET BUTTON BELOW THE START-STOP BUTTON.
3. CHECK THE POWER SOURCE, MAKE SURE THE FUSES ARE OK.
4. DISCONNECT THE POWER SOURCE AND OPEN THE STARTER BOX, CHECK FOR ANY LOOSE WIRES.
5. CHECK TO MAKE SURE THAT SAFETY SWITCH IS OK.

IF THE MOTOR STARTS MAKING A SCREECHING NOISE, IT PROBABLY MEANS THAT THE OIL IS BEING FORCED THROUGH THE RELIEF VALVE. CHECK TO MAKE SURE THAT THE VALVE IS IN THE NEUTRAL POSITION.

NOISE IN THE PUMP COULD MEAN THAT THE OIL IS LOW IN THE UNIT. THIS WOULD BE ONLY IF THERE WAS A LEAK SOMEWHERE IN THE SYSTEM.

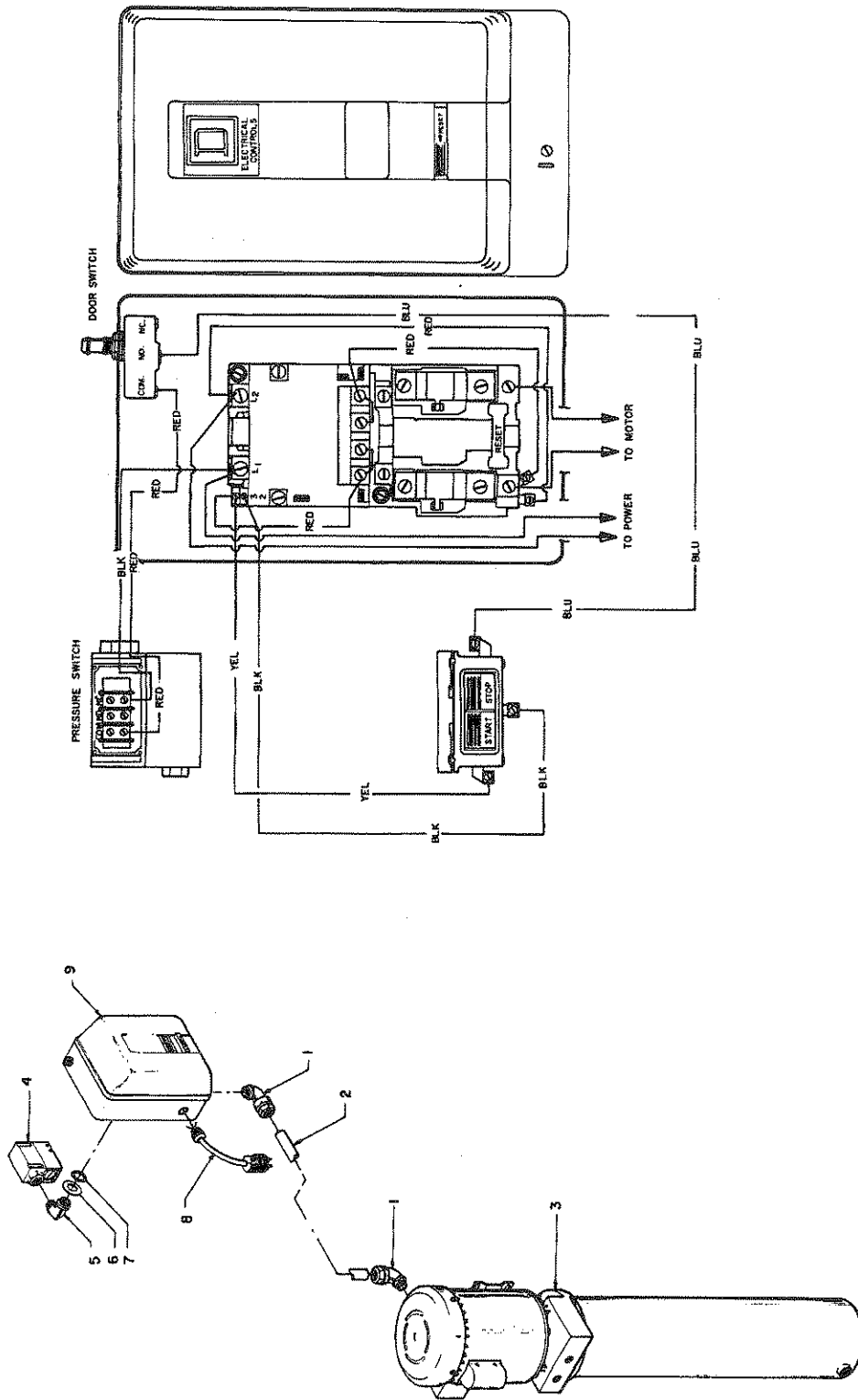
MINI BALER HYDRAULICS



MINI BALER HYDRAULIC

REF.NO.	PART NO.	DESCRIPTION
1	HYD3509030	3/8 90° ELBOW, C3509 X 6, 1 USED
2		3/8 CLOSE NIPPLE, 4 USED
3		BREATHER CAP, 3/8"
4	HYD3069030	HEX NIPPLE, C3069 X 6, 1 USED
5	HYD3709030	3/8" TEE, C3709 X 6, 2 USED
6	HYD3109032	3/8" X 1/4" BUSHING, C3109 X 6 X 4, 2 USED
7	HYD3109021	1/4 X 1/8 BUSHING, C3109 X 4 X 2
8	FT 0000217	1/4 CLOSE NIPPLE
9	VLV0000400	NEEDLE VALVE, N400S
10	GAG0002112	GAUGE, 3,000 LB. (DRY TYPE)
11	HYD5405010	90° MALE ELBOW, 5405 X 2, 1 USED
12	VLV183E20A	CONTROL VALVE
13	HOS0008598	PRESSURE SWITCH HOSE
14	HYD5355033	45° MALE ELBOW, 5355 X 6 X 6, 2 USED
15	HOS0008597	PRESSURE HOSE
16	HOS	3/8" HOSE
17	VLV0037065	CHECK VALVE 65#
18	HYD5205033	MALE CONNECTOR, C5205 X 6 X 6
19	HOS	1/4" HOSE
20	HYD5405030	1/4 X 3/8 90° MALE ELBOW, C5405 X 6
21	HYD5405034	3/8 X 112 90° MALE ELBOW, C5405 X 6 X 8, 2 USED
22	CYL0000330	HYDRAULIC CYLINDER
23	ELC0005059	PRESSURE SWITCH
24	PMP0000100	POWER UNIT
	ELC0010126	MOTOR ONLY

MINI BALER ELECTRICAL



MINI BALER ELECTRICAL

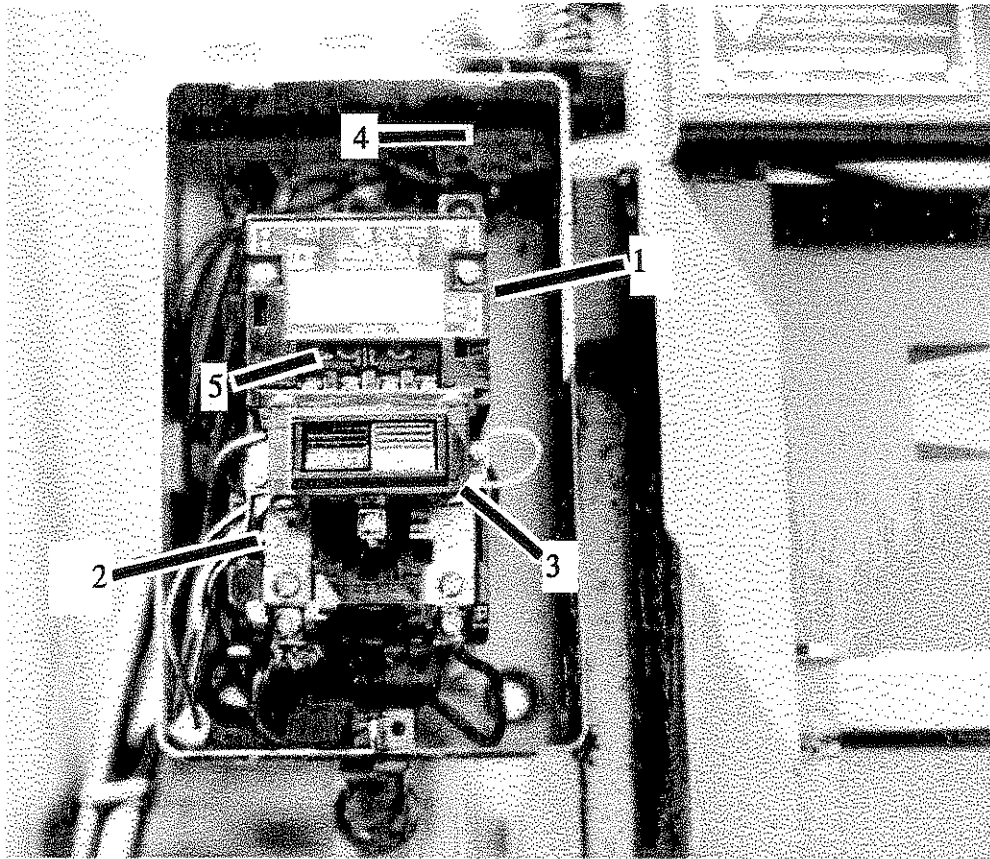
<u>REF. NO.</u>	<u>PART NO.</u>	<u>DESCRIPTION</u>
1	ELCO0020040	112 X 90" CONDUIT ELBOW, 2 USED
2		112 FLEX CONDUIT
3	PMP0000100	POWER UNIT
	ELC0010126	MOTOR ONLY
4	ELC0005059	PRESSURE SWITCH
5	ELC0020022	90° MALE CONDUIT ELBOW
6		WASHER
7		RUBBER WASHER
8		PLUG, 3 PRONG TYPE
9	ELC000IO04	ELE BOX

MINI BALER STARTER BOX



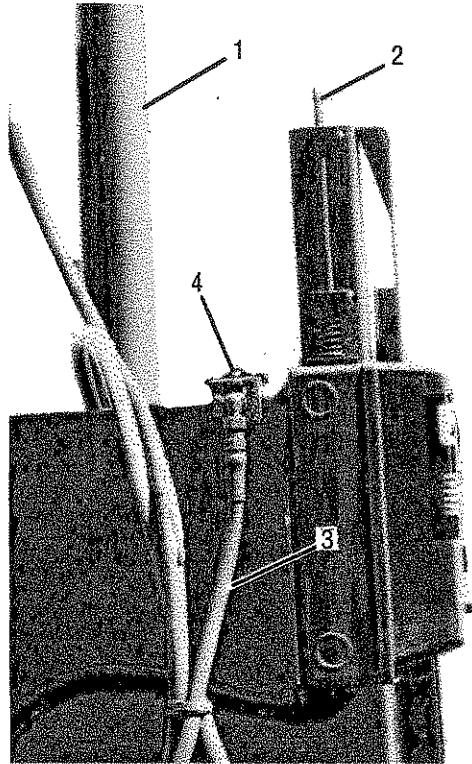
<u>REF. NO</u>	<u>PART NO.</u>	<u>DESCRIPTION</u>
1.	ELC0005077	START - STOP BUTTON
2.	ELC0010044	STARTER WITH ENCLOSURE
3.	F 0007541	SPRING

MINI BALER STARTER BOX (INTERNAL)



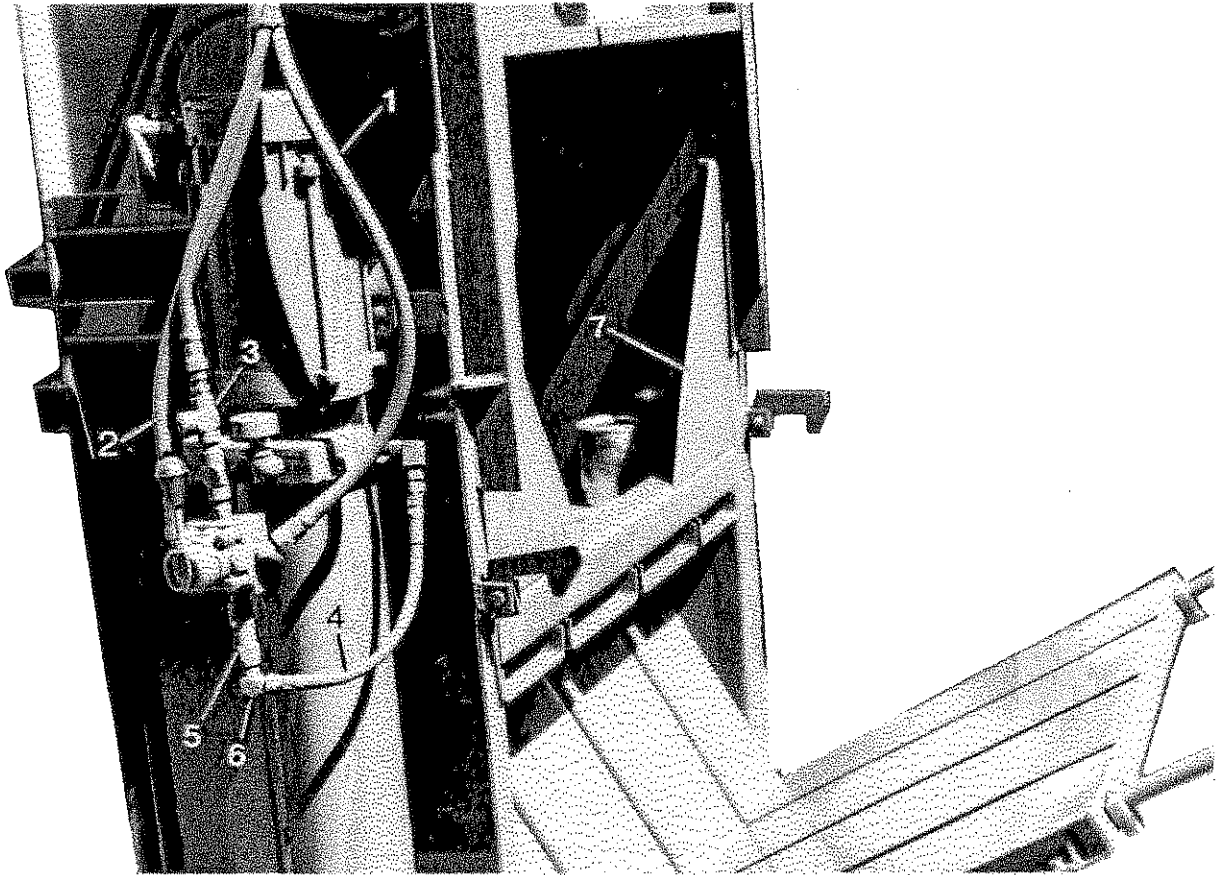
<u>REF. NO.</u>	<u>PART NO.</u>	<u>DESCRIPTION</u>
1.	ELCO010092	STARTER W/COIL
2.	ELCO010003	HEATER
3.	ELCO005007	START-STOP BUTTON
4.	ELCO005005	SAFETY SWITCH
5.	ELCO015032	STARTER COIL

MINI BALER PRESSURE SWITCH



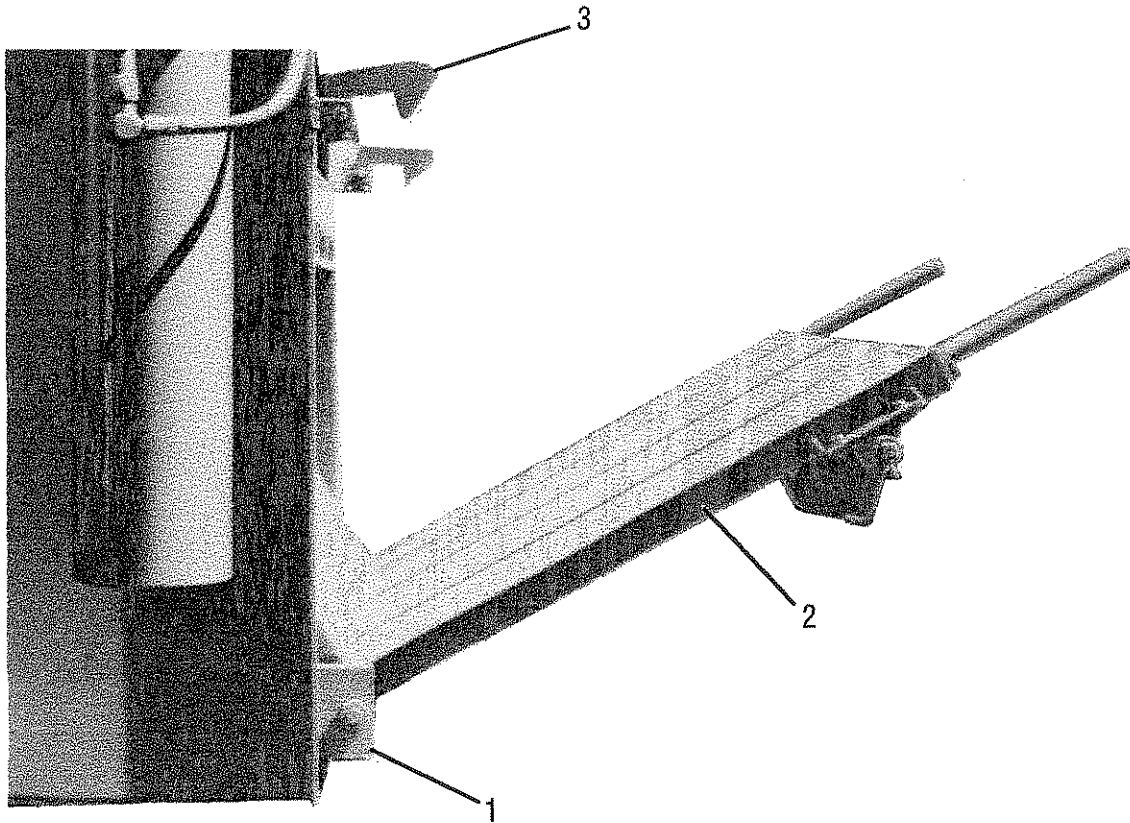
<u>REF. NO.</u>	<u>PART NO.</u>	<u>DESCRIPTION</u>
1.	CYL0000330	HYDRAULIC CYLINDER
2.	ROD0008600	ROD, SAFETY SWITCH
3.	HOS0003593	PRESSURE SWITCH HOSE
4.	ELC0005013	PRESSURE SWITCH

MINI BALER PLUNGER AND HYDRAULICS



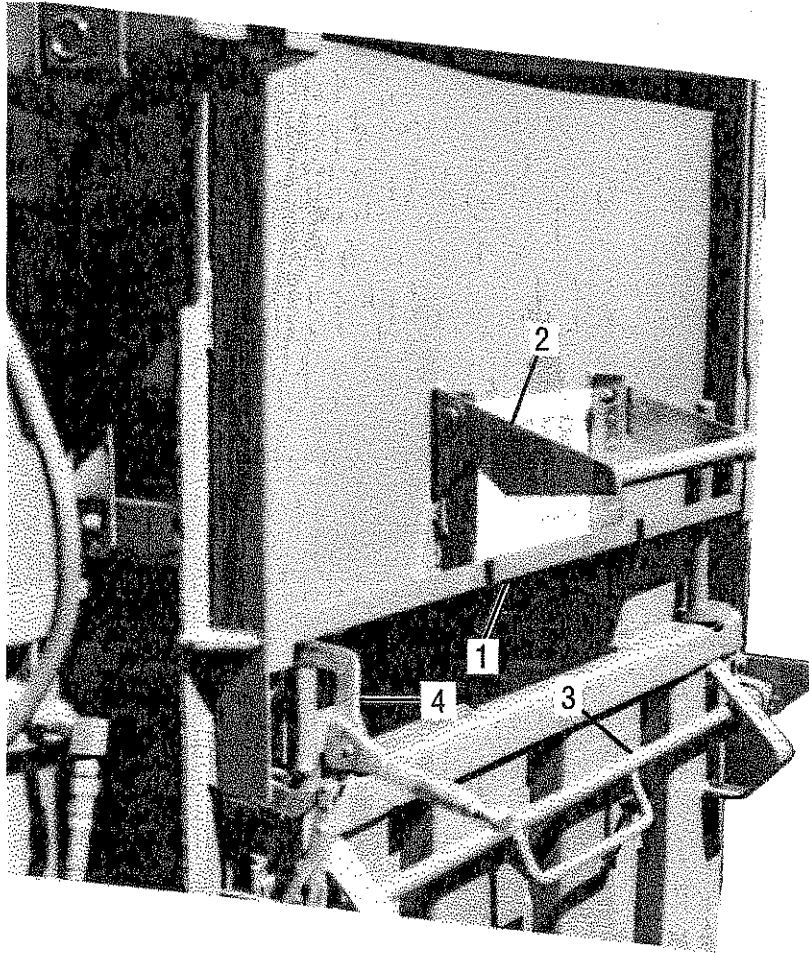
<u>REF. NO.</u>	<u>PART NO.</u>	<u>DESCRIPTION</u>
1.	HOS0008597	Pressure Hose
2.	HOS0008597	Pressure Hose
3.	HYD3709030	Tee
4.	HOS0008599	Return Line
5.	VLV0037065	Check Valve, 65#
6.	HYD5405023	90" Elbow
7.	WB 0006042	Plunger

MINI BALER CHAMBER DOOR



<u>REF. NO.</u>	<u>PART NO.</u>	<u>DESCRIPTION</u>
1.	WB 0006412	BEARING
2.	WB 0006644	CHAMBER DOOR
3.	WB 0006701	LATCH, CHAMBER DOOR

MINI BALER LOADING DOOR



<u>REF. NO.</u>	<u>PART NO.</u>	<u>DESCRIPTION</u>
1.	WB 0006051	LOADING DOOR
	WB 0006163	LOADING DOOR EXTENSION
2.	WB 0008601	LATCH
3.	WB 0008602	CHAMBER DOOR LATCH
4.		WISE GRIPS (OPTIONAL EQUIPMENT?)