

FREEMAN



Parts Manual Addendum

3 Cylinder Engine & Installation Side Feed Balers

Starting in 2013, With Serial Number

370E14-738



WARNING

California Proposition 65 Warning

Diesel engine exhaust and some of its constituents are known to the State of California to cause cancer, birth defects, and other reproductive harm.

Battery posts, terminals and related accessories contain lead and lead compounds, chemicals known to the State of California to cause cancer, birth defects, and other reproductive harm. Wash hands after handling.

Other chemicals in this vehicle are also known to the State of California to cause cancer, birth defects, and other reproductive harm.

Table of Contents

Engine Installation	4
. Air Cleaner Assembly.....	5
. Engine Assembly	7
.. Control Box Assembly.....	9
.. Clutch/Power Take-Off	13

This Addendum is intended to be used in conjunction with the Parts Manual that came with your baler. If your 370/375 Freeman baler has a 3 cylinder engine, use the engine installation and related sub-assemblies in this addendum in place of those in your parts manual.

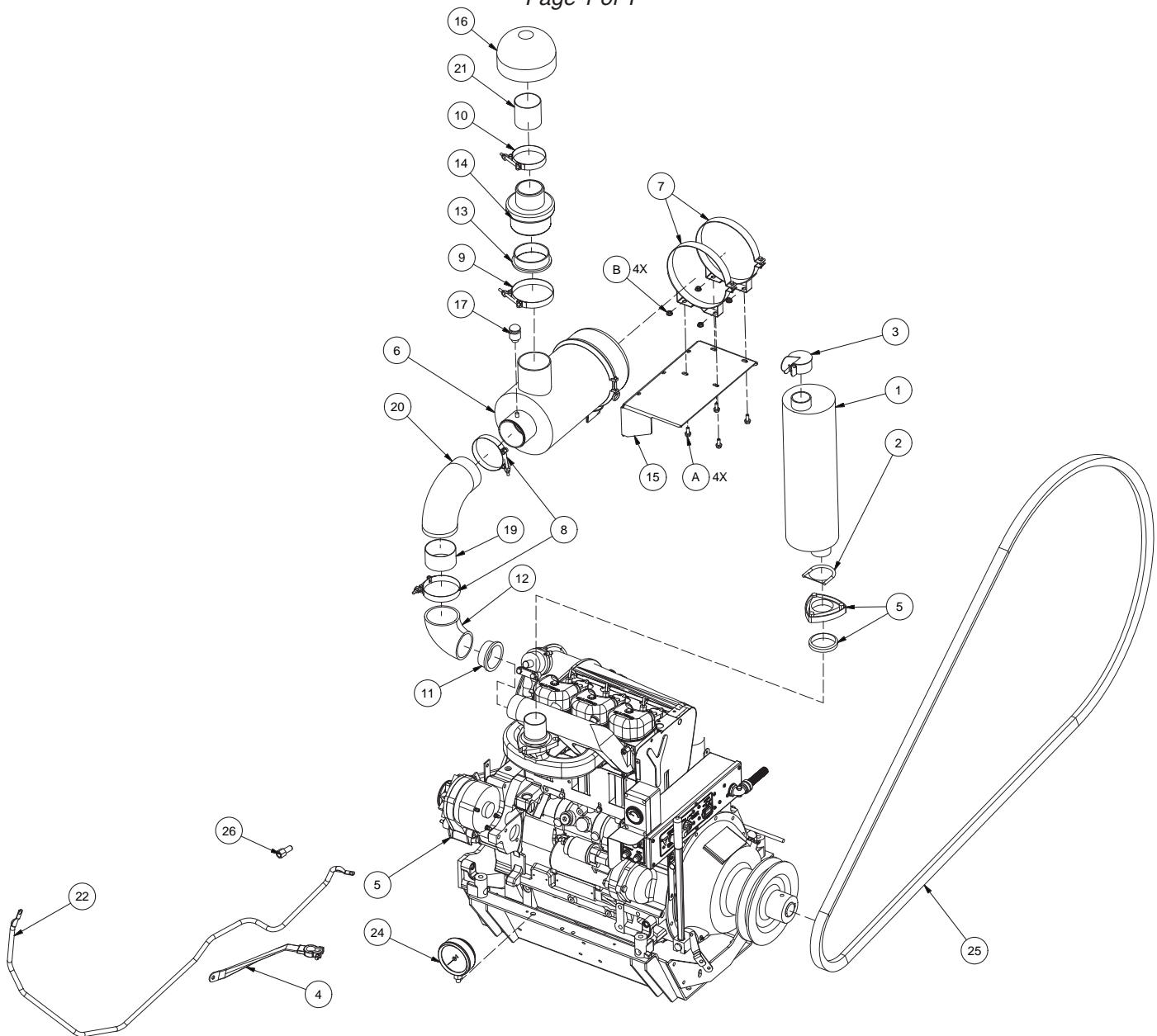
It is important that you have the serial number of your baler and engine when ordering parts. See your Parts Manual for locations of these serial numbers.

Baler Serial Number: _____

Engine Serial Number: _____

Engine Installation

Page 1 of 1

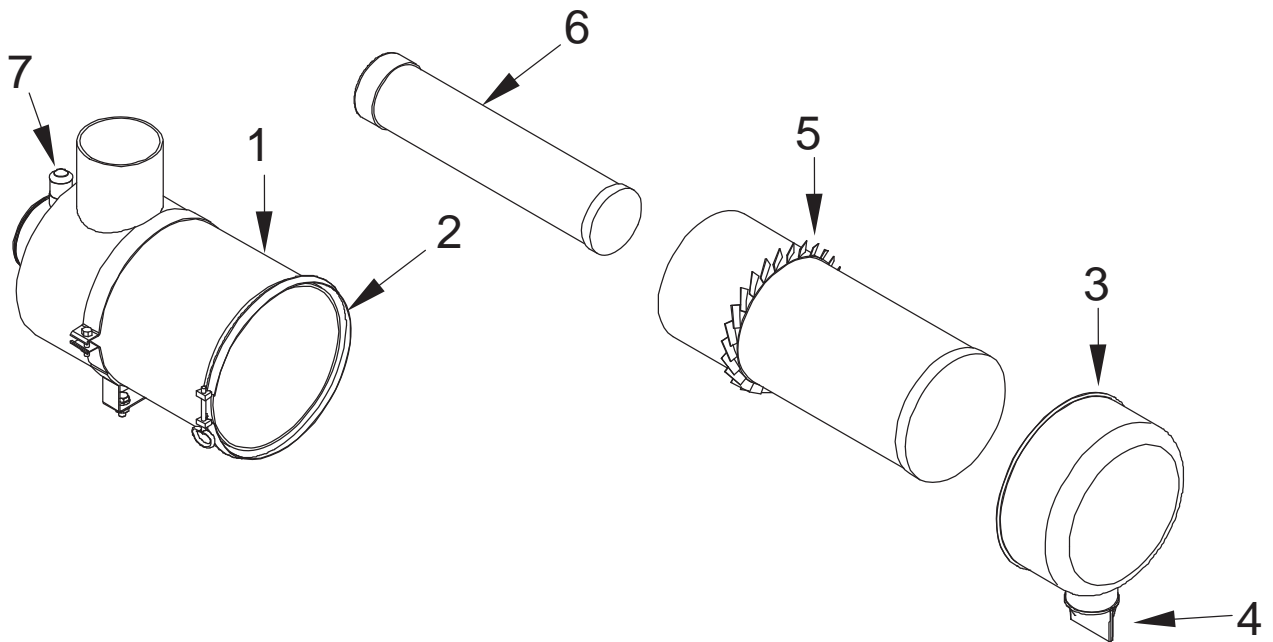


Item	Part No.	Qty	Description	Item	Part No.	Qty	Description
902964 Engine Installation							
1	252293	1	. Muffler	17	ACL0000004	1	. Indicator
2	CLP0035751	1	. Exhaust Clamp	19	902904	1	. Tube,Spacer
3	EXH0011007	1	. Exhaust Cap	20	902909	1	. Elbow
4	F000007742	1	. Battery Ground Strap 12 Volt	21	902913	1	. Tube
5	*a DTZ3CYL-FA	1	. Engine Assembly	22	CBL0000126	1	. Cable Assembly, Battery
6	*b 254896	1	. Air Cleaner Assembly	23	F000007010	2	. Engine Adjusting Bolt-Plated
7	ACL0004307	2	. Band, Mounting	24	253403	1	. Gauge, Tension Controlled
8	207146	2	. T-Bolt Clamp	25	F000007000	1	. Belt, Drive
9	207147	1	. T-Bolt Clamp	26	HYD5275032	1	. Fitting
10	225370	1	. T-Bolt Clamp	A	-----		. Bolt
11	ACL0000005	1	. Insert, Rubber	B	-----		. Nut
12	4200115	1	. Elbow, Rubber				
13	255118	1	. Reducer, Insert				
14	255120	1	. Reducer, Hump Hose				
15	902789	1	. Plate, Mounting				
16	252742	1	. Precleaner				

*a See Separate Coverage Page 7
 *b See Separate Coverage Page 5

Air Cleaner Assembly

Page 1 of 1

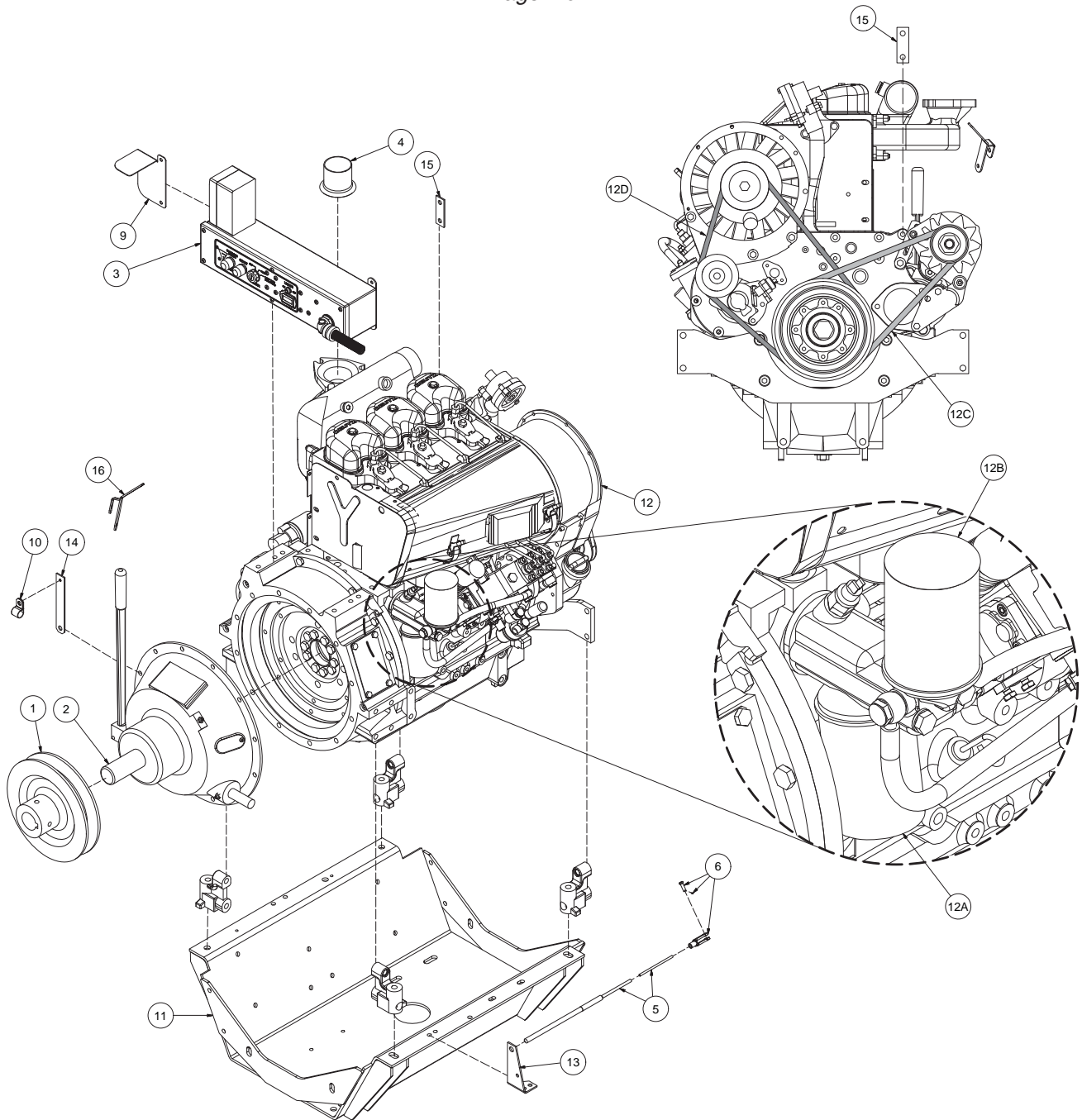


Item	Part No.	Qty	Description	Item	Part No.	Qty	Description
	254896		Air Cleaner Assembly				
1	255496	1	. Body	5	255494	1	. Filter
2	255492	1	. Body Clamp	6	255495	1	. Filter, Safety
3	255493	1	. Cover	7	ACL0002251	1	. Mini Restriction Indicator
4	255497	1	. Valve, Actuator				

This page is intentionally left blank.

Engine Assembly

Page 1 of 1



Item	Part No.	Qty	Description	Item	Part No.	Qty	Description
	DTZ3CYL-FA		Engine Assembly 3 Cylinder				
1	F000007699	1	. Motor Pulley	12	252565	1	. Engine
2	*a CLH0001084	1	. Clutch	12A	252494	1	.. Filter, Oil
3	*b 903907	1	. Control Box Assembly	12B	257240	1	.. Filter, Fuel
4	EXH0013806	1	. Tube, Exh	12C	257241	1	.. Belt, Alternator
5	CBL1743180	1	. Cable, Control	12D	253343	1	.. Belt, Cooling Fan
6	CLV1756012	1	. Clevis W/Pin & Cotter	13	900534	1	. Plate, Mounting
7	231486	1	. Set Screw	14	F000007013	1	. Bracket
8	STS5000750	1	. Socket Set Screw	15	901187	1	. Bracket
9	SHD0028273	1	. Plate, Shield	16	900537	1	. Arm, Ext
10	209588	1	. Clip, Insul				
11	DTZ0011287	1	. Belly Pan				

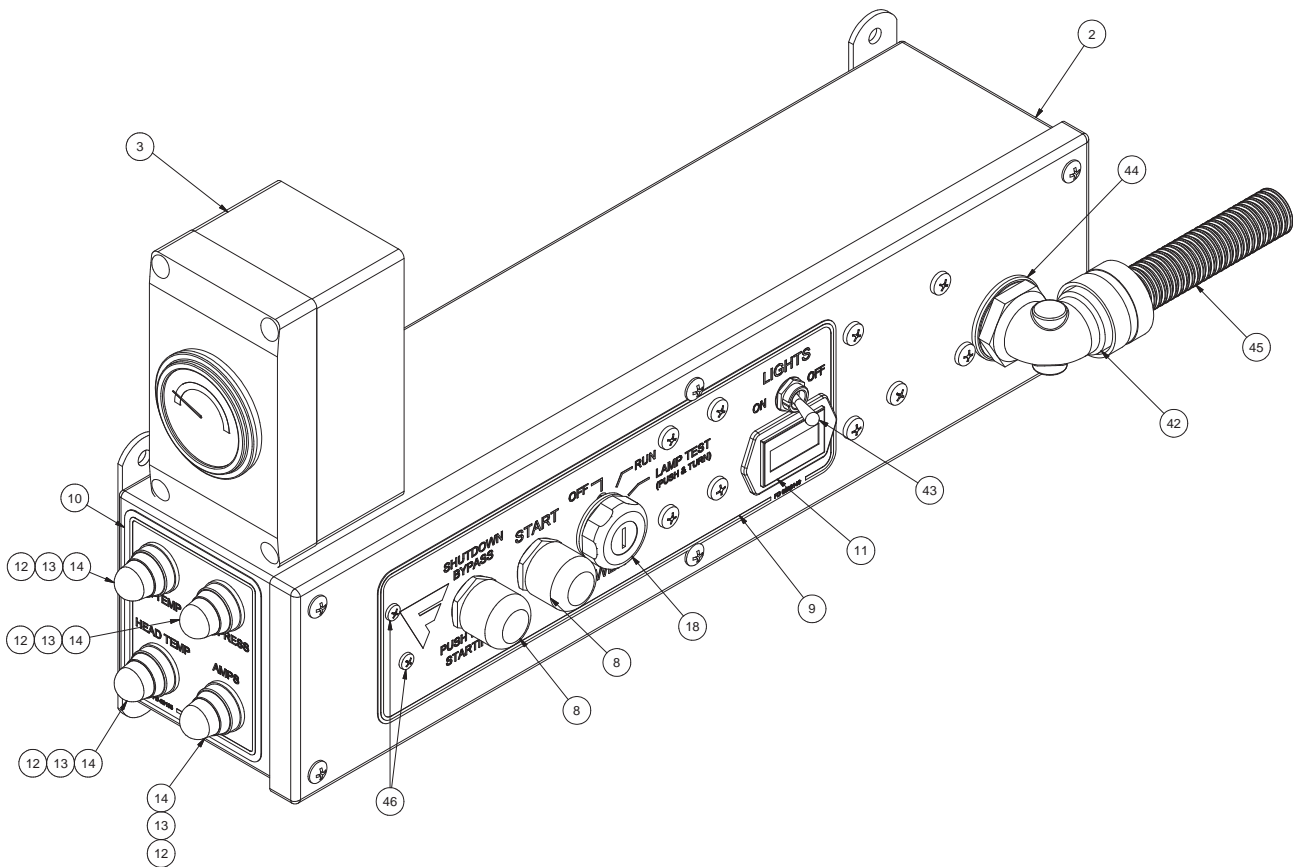
*a See Separate Coverage Page 13

*b See Separate Coverage Page 9

Rev J

Control Box Assembly

Page 1 of 4



Control Box Assembly

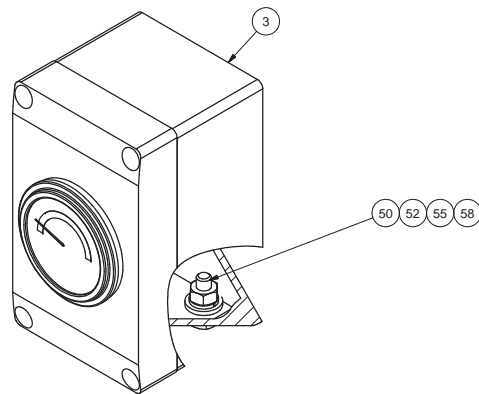
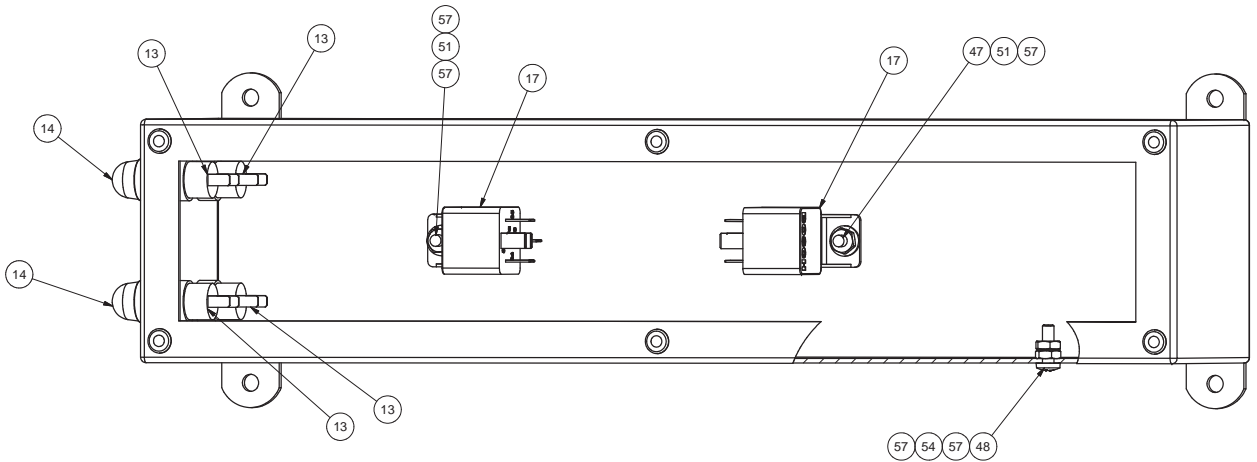
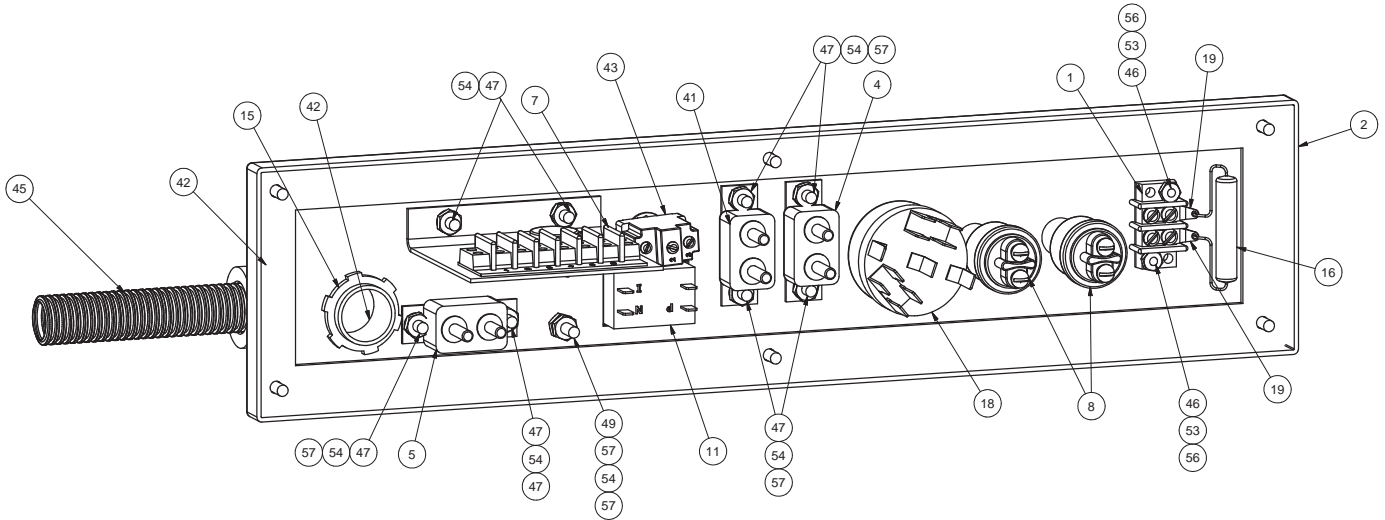
Page 2 of 4

Item	Part No.	Qty	Description	Item	Part No.	Qty	Description
903907 Control Box Assembly							
1	BAB0002140	1	. Terminal Block	36	TER0561022	8	. Terminal Ring
2	BOX0029110	1	. Box	37	TER0563216	16	. Terminal
3	BOX0034338	1	. Gauge Assembly, Fuel	38	TER5616120	2	. Terminal
4	CBK0005510	1	. Circuit Breaker, 10A, Ignition	39	246143	2	. Relay Socket
5	CBK0014520	1	. Circuit Breaker, 20A, Accessories	40	235217	8	. Connector Female
6	CBT0000030	1	. Cable Tie	41	200274	1	. Circuit Breaker, 30A, Lights
7	CIR0029071	1	. Module Assembly, Auto Shutdown	42	208111	1	. Connector, Cord
8	DTZ0000626	2	. Switch, Push Button	43	229289	1	. Toggle Switch
9	FD00028146	1	. Decal, Front Panel	44	231044	1	. Ring, Seal
10	FD00029195	1	. Decal, End Panel	45	903496	1	. Wire Harness
11	GAG0001133	1	. Hour Meter	46	SMR6320500	2	. Machine Screw
12	LIT0001815	4	. Lamp, Bayonet	47	230640	10	. Machine Screw
13	LIT1250410	4	. Base, Lamp	48	00109451	1	. Machine Screw
14	LIT1251131	4	. Lens, Red	49	00100766	1	. Machine Screw
15	NMS0000109	1	. Conduit Locknut	50	223574	2	. Capscrew
16	RES0045015	1	. Resistor	51	00103338	2	. Flat Washer
17	R4510197	2	. Relay	52	R13811443	2	. Flat Washer
18	SWI0001140	1	. Switch, Ignition	53	WIS0000600	2	. Washer
19	TER0000099	2PK	. Terminal Lug	54	WIS0001000	10	. Lockwasher
20	219355	2'	. Wire	55	R13812512	2	. Lockwasher
21	219388	2'	. Wire	56	R13809520	2	. Hex Nut
22	219405	1'	. Wire	57	220044	14	. Hex Nut
24	219410	2'	. Wire	58	221703W	2	. Hex Nut
25	219412	2'	. Wire	59	219404	2'	. Wire
26	219414	4'	. Wire	60	223301	1'	. Wire
27	219436	1'	. Wire	61	219527	1'	. Wire
28	231707	2'	. Wire	62	WIR0016038	2'	. Wire
29	231708	4'	. Wire	63	WIR0016035	2'	. Wire
30	237627	1'	. Wire	64	219400	2'	. Wire
31	241795	1'	. Wire	65	221965	3	. Terminal (QWK SLD Female)
32	WIR0016017	2'	. Wire				
33	TER0560616	12	. Terminal Ring				
34	TER0560816	5	. Terminal Ring				

Rev C

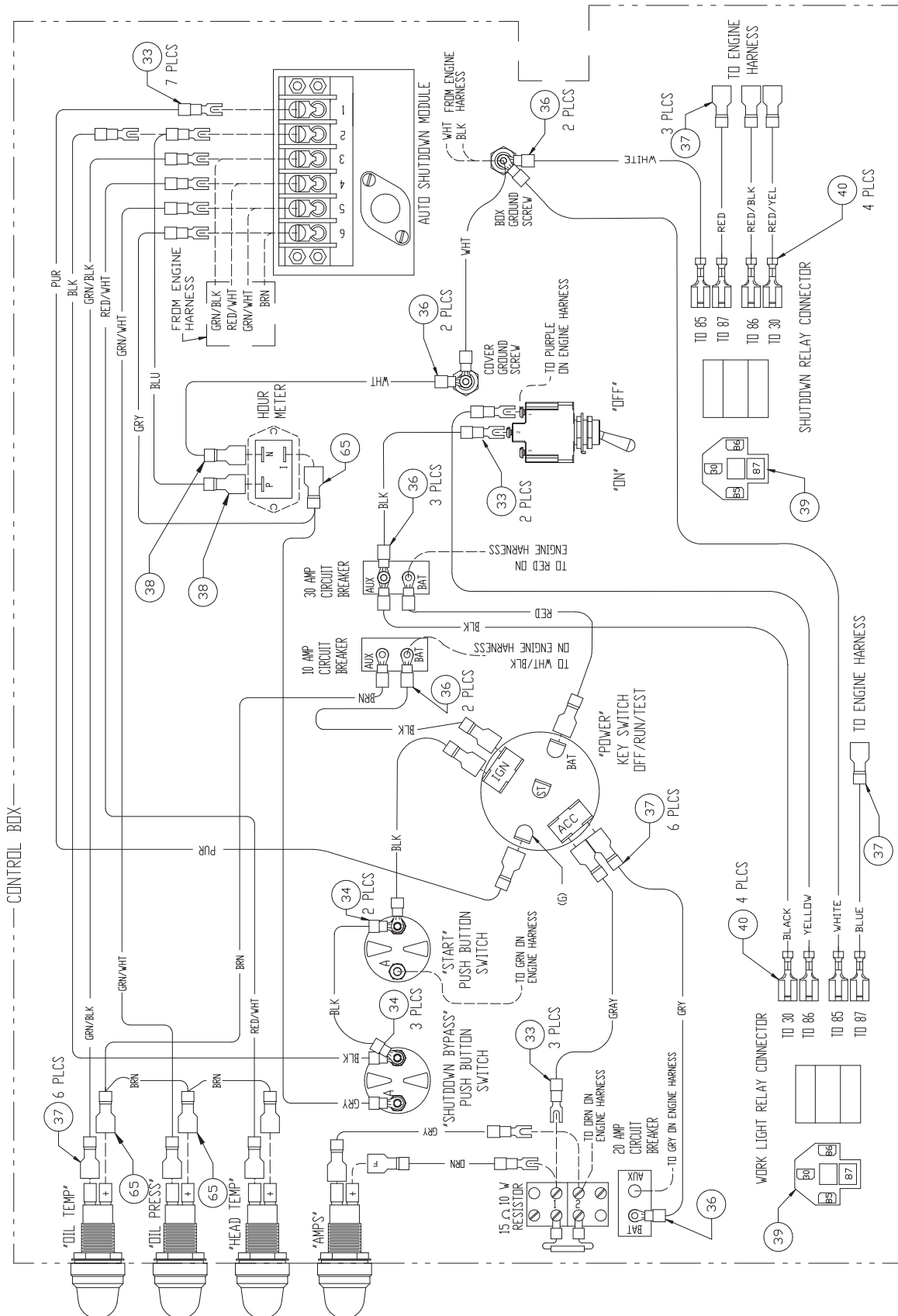
Control Box Assembly

Page 3 of 4



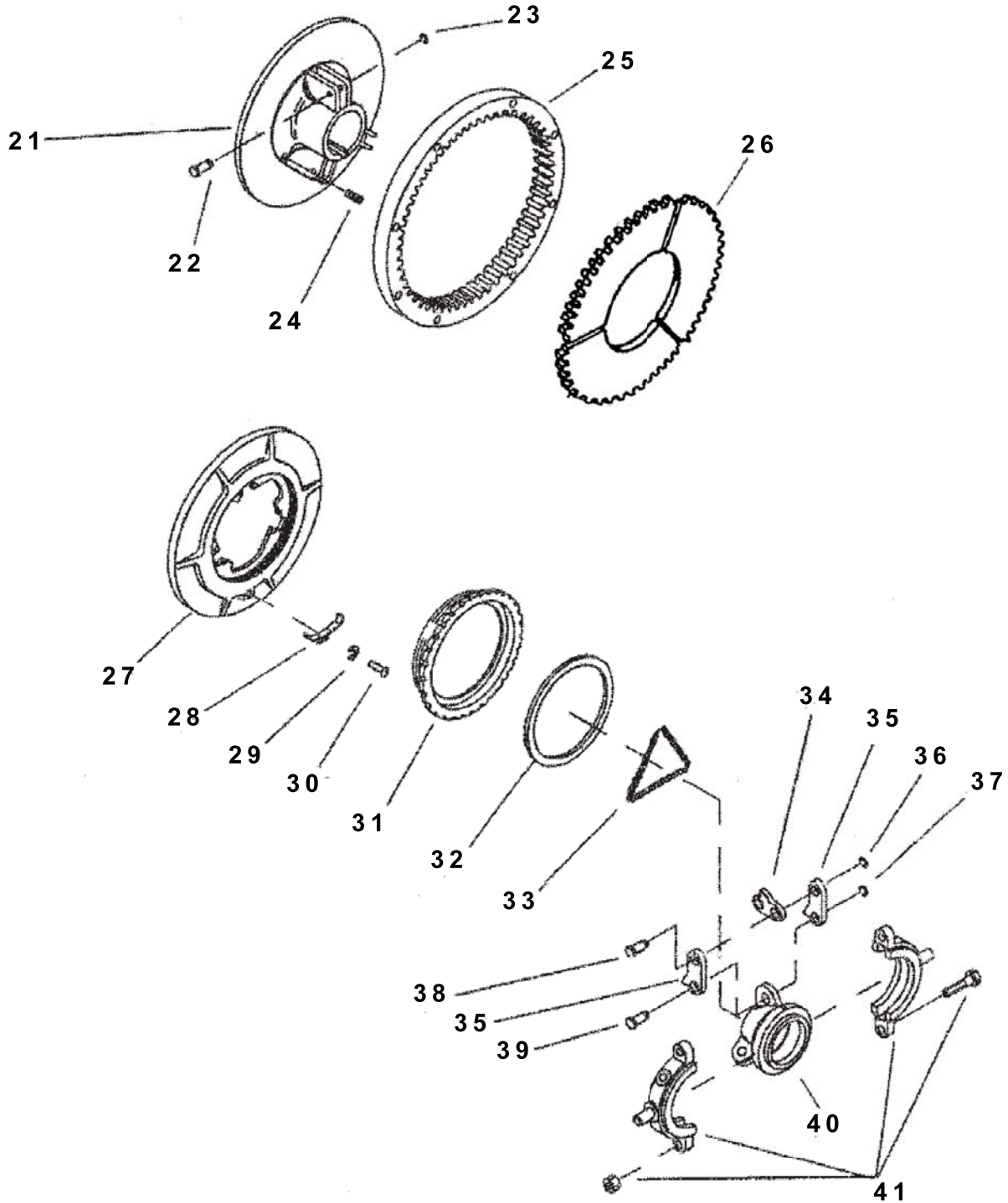
Control Box Assembly

Page 4 of 4



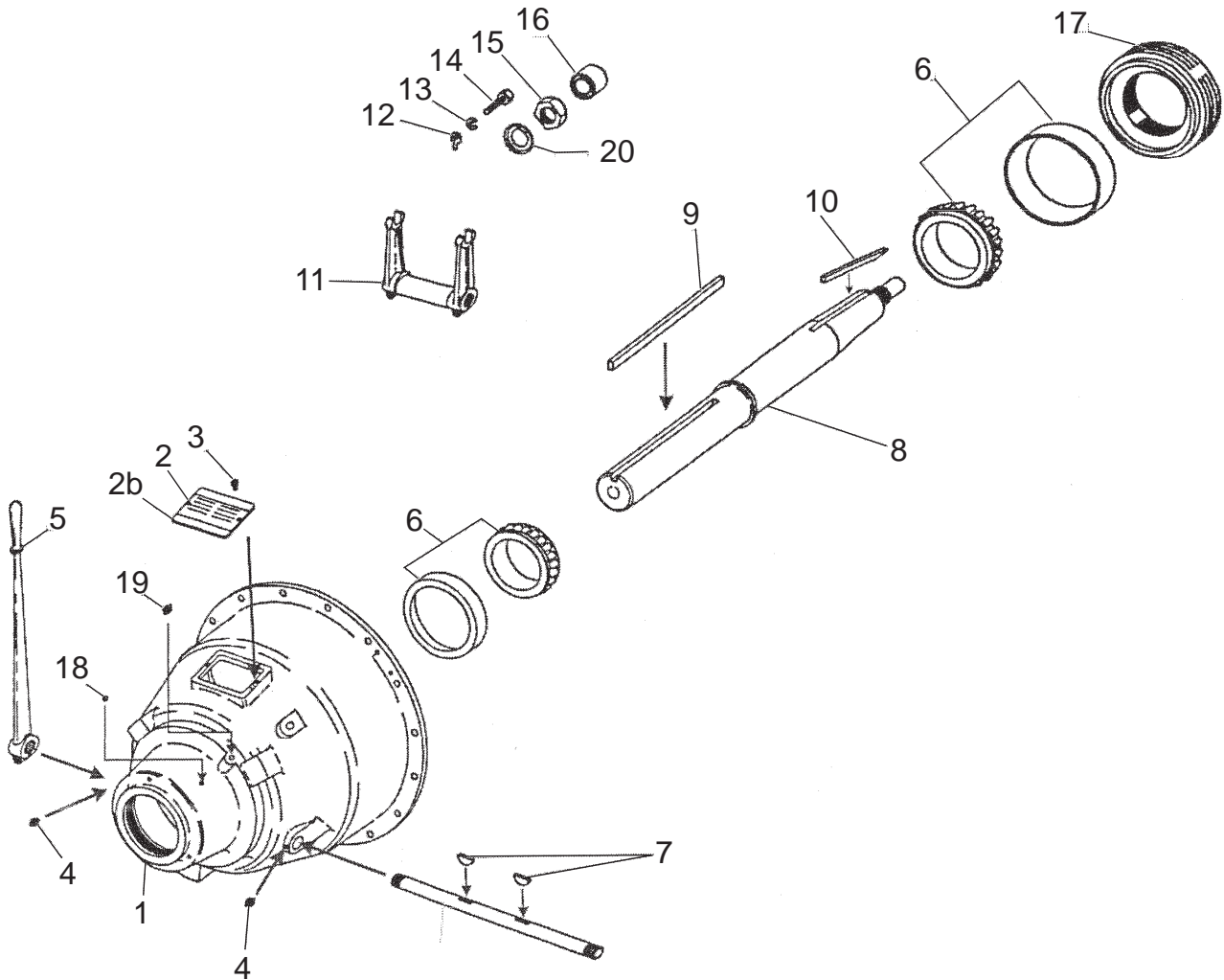
Clutch/Power Take-Off

Page 1 of 2



Clutch/Power Take-Off

Page 2 of 2



Item	Part No.	Qty	Description	Item	Part No.	Qty	Description
	CLH0001084		Clutch				
1	CLH0204230	1	. Bell Housing	21	CLH0230819	1	Clutch Body
2	CLH0205358	1	. Name Plate	22	*****	3	Clevis Pin
2b	252527	1	. Plate, Cover	23	*****	3	Retaining Ring
3	CLH0206092	2	. Bolt	24	*****	3	Separator Spring
4	CLH0207954	2	. Fitting, Grease	25	CLH0205851	1	Clutch Plate & Release
5	CLH0308369	1	. Lever, Shifting	26	CLH0203569	1	Facing Plate
6	CLH0307569	2	. Bearings, Main	27	CLH0216506	1	Compression Sprin
7	CLH0204536	2	. Key, Woodruff	28	*****	1	Adjustment Lock
8	CLH0230909	1	. Drive Shaft	29	*****	1	Washer
9	CLH0204487	1	. Output Key	30	*****	1	Bolt
10	CLH0204485	1	. Clutch Key	31	CLH0205823	1	Adjusting Ring
11	CLH0308371	1	. Yoke Sub Assembly	32	CLH0205997	1	Wear Ring
12	CLH0205368	1	. Link, Adjusting	33	*****	1	Lever Spring
13	CLH0207227	1	. Washer	34	*****	3	Lever
14	CLH0203061	1	. Bolt	35	*****	6	Link
15	CLH0204746	1	. Nut	36	*****	3	Retaining Ring
16	CLH0207445	1	. Bearing, Pilot	37	*****	3	Retaining Ring
17	CLH0205717	1	. Release Sleeve, Clutch	38	*****	3	Clevis Pin
18	CLH0269854	1	. Fitting, Grease	39	*****	3	Clevis Pin
19	CLH0260843	1	. Fitting, Grease	40	CLH0206563	1	Release Sleeve
20	CLH0207231	1	. Washer	41	CLH0334051	1	Release Bearing

***** Item available only as part of clutch kit CLH0332919



To find a dealer in your area,

Call: 503.625.2560

Fax: 503.625.7269

Visit our website: www.alliedsystems.com

Allied Systems
COMPANY

89-067 5/2013

Printed in USA