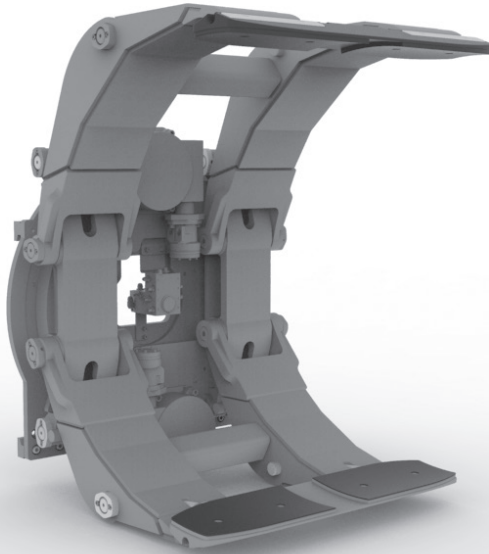


KPR Kraft Paper Roll Clamps

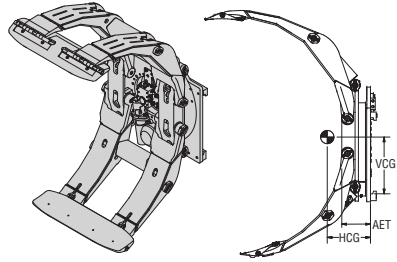


- ◆ Perfect for a variety of paper types: newsprint, tissues, uncoated form and printing stocks, packaging, gypsum wallboard facing and more
- ◆ Fixed or positionable short-arm versions available:
 - Fixed arm provides ease of handling rolls of uniform diameter
 - Positionable arm maintains thin arm profile at all roll diameters
 - 45° short-arm positioning method
- ◆ Exclusive pad protectors shield outer surfaces of pads from abrasion while maintaining thin, smooth surface to protect adjacent rolls
- ◆ Sure grip contact pads protect roll from costly imprints
- ◆ Up-front hydraulics lower effective thickness of clamp while allowing easy access to components with the clamp still attached to truck
- ◆ Uses larger diameter pivot pins with added protection of heavy-duty, lubricated steel bushings

See pages D-6 through D-7

KPR Series Kraft Paper Roll Clamps

- Unmatched net truck capacity
- Fixed short-arm models for ease of handling uniform roll diameters
- Positionable short-arm models for a wide range of roll diameters
- 0° mounting; heavy-duty 360° continuous rotation
- Position-controlled short arm movement
- Inverted waffle pattern standard contact pad surface on all units



42" Diameter Kraft Paper Rolls, 2 Functions

| Model Number | Capacity (lb @ Roll Dia.) | Roll Range (in) | Short Arm | Truck Size (lb) ¹ | Weight (lb) | Lost Load AET (in) | HCG (in) | VCG (in) | Rotation Speed | Mount Class |
|----------------|---------------------------|-----------------|-----------|------------------------------|-------------|--------------------|----------|----------|------------------|-------------|
| KPR-25RN-F1242 | 2,500 | 12-42 | Fixed | 4,000 | 985 | 4.6 | 6.3 | 15.4 | 6.5 ² | II or III |
| KPR-48RN-F1242 | 4,800 | | | 6,000 | 995 | | | 15.6 | | |

45" Diameter Kraft Paper Rolls, 2 Functions

| | | | | | | | | | | |
|----------------|-------|-------|-------------------|-------|-------|-----|------|------|------------------|-----------|
| KPR-25RN-F1645 | 2,500 | 16-45 | Fixed | 4,000 | 1,005 | 4.6 | 6.5 | 16.1 | 6.5 ² | II or III |
| KPR-48RN-F1645 | 4,800 | | | 6,000 | 1,015 | | 6.6 | 16.3 | | |
| KPR-48RN-P1045 | 4,800 | 10-45 | Pos. ⁴ | 6000 | 1,370 | 7.5 | 9.0 | 15.0 | 6.5 ² | II or III |
| KPR-55RN-F2045 | 5,500 | 20-45 | Fixed | 7,000 | 1,340 | | 9.1 | 15.2 | | |
| KPR-55RN-P1045 | 5,500 | 10-45 | Pos. ⁴ | 7,000 | 1,370 | 9.0 | 15.0 | | | |

51" Diameter Kraft Paper Rolls, 2 Functions

| | | | | | | | | | | |
|----------------|--------|-------|-------------------|-----------------|-------|-----|------|------|------------------|-----------|
| KPR-20RN-F1651 | 2,000 | 16-51 | Fixed | 3,000 | 1,030 | 4.6 | 7.1 | 16.1 | 6.5 ² | II or III |
| KPR-35RN-F1651 | 3,500 | | | 5,000 | 1,050 | | 16.3 | | | |
| KPR-48RN-F2051 | 4,800 | 20-51 | Fixed | 6,000 | 1,375 | 7.5 | 9.7 | 15.0 | 6.5 ² | II or III |
| KPR-48RN-P1051 | | 10-51 | Pos. ⁴ | 1,410 | 9.6 | | 14.9 | | | |
| KPR-55RN-F2051 | 5,500 | 20-51 | Fixed | 7,000 | 1,375 | 7.5 | 9.7 | 15.0 | 6.5 ² | II or III |
| KPR-55RN-P1051 | | 10-51 | Pos. ⁴ | 1,410 | 9.6 | | 14.9 | | | |
| KPR-77RN-F2451 | 7,700 | 24-51 | Fixed | 10,000 | 1,860 | 7.6 | 9.5 | 16.7 | 5.0 ³ | III or IV |
| KPR-77RN-P1051 | | 10-51 | Pos. ⁴ | 1,905 | 16.2 | | | | | |
| KPR-90RN-F1751 | 9,000 | 17-51 | Fixed | 12,000 | 2,750 | 8.0 | 8.9 | 18.0 | 4.0 ³ | III or IV |
| KPR-90RN-P1551 | | 15-51 | Pos. ⁴ | 2,830 | 17.8 | | | | | |
| KPR-12RN-F1551 | 12,000 | 15-51 | Fixed | 15,500 | | | | | 4.0 ³ | IV |
| KPR-12RN-P1051 | | 10-51 | Pos. ⁴ | Consult Factory | | | | | | |

¹ Estimated truck size to achieve clamp's rated capacity. Consult the lift truck manufacturer for actual net working capacity.

² Rotation speed rpm @ 12 gpm

³ Rotation speed rpm @ 24 gpm

⁴ Positionable

Notes for page D-7

¹ Estimated truck size to achieve clamp's rated capacity. Consult the lift truck manufacturer for actual net working capacity.

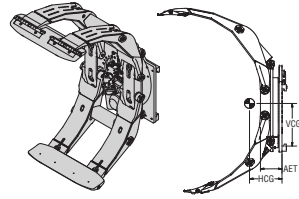
² Rotation speed rpm @ 12 gpm

³ Rotation speed rpm @ 24 gpm

⁴ Positionable

KPR Series Kraft Paper Roll Clamps

- Unmatched net truck capacity
- Fixed short-arm models for ease of handling uniform roll diameters
- Positionable short-arm models for a wide range of roll diameters
- 0° mounting; heavy-duty 360° continuous rotation
- Position-controlled short arm movement



60" Diameter Kraft Paper Rolls, 2 Functions

| Model Number | Capacity (lb @ Roll Dia.) | Roll Range (in) | Short Arm | Truck Size (lb) ¹ | Weight (lb) | Lost Load AET (in) | HCG (in) | VCG (in) | Rotation Speed | Mount Class |
|----------------|---------------------------|-----------------|-------------------|------------------------------|-------------|--------------------|----------|----------|------------------|-------------|
| KPR-50RN-F2460 | 5,000 | 24-60 | Fixed | 7,000 | 1,440 | 7.5 | 10.5 | 15.7 | 6.5 ² | II or III |
| KPR-50RN-P1060 | | 10-60 | Pos. ⁴ | | 1,465 | | | 15.4 | | |
| KPR-75RN-F2660 | 7,500 | 26-60 | Fixed | 10,000 | 1,940 | 7.6 | 10.2 | 16.9 | 5.0 ² | III or IV |
| KPR-75RN-P1060 | | 10-60 | Pos. ⁴ | | 1,985 | | | 16.6 | | |
| KPR-80RN-F2460 | 8,000 | 24-60 | Fixed | 12,000 | 2,810 | 8.0 | 10.8 | 17.6 | 4.0 ² | III or IV |
| KPR-80RN-P1060 | | 10-60 | Pos. ⁴ | | 2,845 | | | 17.3 | | |
| KPR-90RN-F2460 | 9,000 | 24-60 | Fixed | 13,500 | 2,975 | 8.0 | 10.5 | 18.4 | 4.0 ³ | IV |
| KPR-90RN-P1060 | | 10-60 | Pos. ⁴ | | 3,010 | | | 18.2 | | |
| KPR-12RN-F2460 | 12,000 | 24-60 | Fixed | 15,500 | 3,245 | 8.4 | 11.2 | 19.5 | 4.0 ³ | IV |
| KPR-12RN-P1060 | | 10-60 | Pos. ⁴ | | 3,315 | | | 18.9 | | |

65" Diameter Kraft Paper Rolls, 2 Functions

| | | | | | | | | | | |
|----------------|--------|-------|-------------------|--------|-------|-----------------|------|------|------------------|-----------|
| KPR-75RN-F3065 | 7,500 | 30-65 | Fixed | 10,000 | 2,010 | 7.6 | 11.2 | 18.3 | 5.0 ² | III or IV |
| KPR-75RN-P1565 | | 15-65 | Pos. ⁴ | | 2,060 | | | 17.8 | | |
| KPR-90RN-F3065 | 9,000 | 30-65 | Fixed | 13,500 | 3,115 | 8.0 | 10.5 | 19.1 | 4.0 ³ | IV |
| KPR-90RN-P1765 | | 17-65 | Pos. ⁴ | | 3,135 | | | 18.6 | | |
| KPR-11RN-F3265 | 11,000 | 32-65 | Fixed | 15,500 | | Consult Factory | | | 4.0 ³ | IV |
| KPR-11RN-P1765 | | 17-65 | Pos. ⁴ | | | | | | | |

72" Diameter Kraft Paper Rolls, 2 Functions

| | | | | | | | | | | |
|----------------|--------|-------|-------------------|--------|-------|-----|------|------|------------------|-----------|
| KPR-60RN-F3072 | 6,000 | 30-72 | Fixed | 10,000 | 2,095 | 7.6 | 12.1 | 16.8 | 5.0 ² | III or IV |
| KPR-60RN-P1272 | | 12-72 | Pos. ⁴ | | 2,140 | | | 16.3 | | |
| KPR-70RN-F3072 | 7,000 | 30-72 | Fixed | 12,000 | 2,095 | 7.6 | 12.1 | 16.8 | 5.0 ² | III or IV |
| KPR-70RN-P1272 | | 12-72 | Pos. ⁴ | | 2,140 | | | 16.3 | | |
| KPR-85RN-F3272 | 8,500 | 32-72 | Fixed | 13,500 | 3,130 | 8.0 | 12.3 | 18.9 | 4.0 ³ | IV |
| KPR-85RN-P1672 | | 16-72 | Pos. ⁴ | | 3,190 | | | 18.0 | | |
| KPR-11RN-F3272 | 11,000 | 32-72 | Fixed | 15,500 | 3,790 | 8.4 | 13.6 | 20.7 | 4.0 ³ | IV |
| KPR-11RN-P1672 | | 16-72 | Pos. ⁴ | | 3,863 | | | 20.2 | | |

84" Diameter Kraft Paper Rolls, 2 Functions

| | | | | | | | | | | |
|----------------|-------|-------|-------------------|--------|-------|-----|------|------|------------------|-----------|
| KPR-70RN-F4284 | 7,000 | 42-84 | Fixed | 13,500 | 3,765 | 8.4 | 13.8 | 19.2 | 4.0 ³ | III or IV |
| KPR-70RN-P2884 | | 28-84 | Pos. ⁴ | | 3,805 | | | 18.5 | | |
| KPR-95RN-F5084 | 9,500 | 50-84 | Fixed | 15,500 | 3,795 | 8.4 | 14.0 | 19.3 | 4.0 ³ | IV |
| KPR-95RN-P2884 | | 28-84 | Pos. ⁴ | | 3,835 | | | 18.4 | | |

See page D-6 for notes.

KPR Series — Optional Equipment/Specifications

! Capacity

| Mounting Class | Truck Rating (lb) |
|----------------|-------------------|
| II | 2,000–5,500 |
| III | 6,000–10,000 |
| IV | 10,000–15,500 |

Match attachment capacity to truck rating for most productive operation. Attachment capacity is a structural rating only that includes the general type of paper for which each model of each series is designated. Net truck capacity, with the attachment, must be obtained from the lift truck manufacturer.

! Minimum Truck Carriage Width

| Model Number | Minimum Truck Carriage Width (in) |
|--------------------------------|-----------------------------------|
| KPR-20/25 | 26 |
| KPR-35/48/50/55 | 33 |
| KPR-60/70/75/77 | 34 |
| KPR-70 (84" diameter model)/80 | 37 |
| KPR-85/90/95/11/12 | |

! Recommended Hydraulic Supply

| Model Number | Flow (gpm) | Max psi |
|-----------------------------|------------|---------|
| KPR-20 - 80 | 12 | 2,250 |
| KPR-70 (84" diameter model) | 24 | 2,250 |
| KPR-85/90/95/11/12 | 24 | 2,250 |

Hydraulic flow less than minimum may reduce operating speed and/or cause irregular arm movement. Higher flow may result in heat build-up, erratic operation and shortened hydraulic system life.

! Installation Equipment

| Model Number | Item |
|--------------------------|--|
| YHJL-6-D-30 ¹ | Jump lines: 2 functions, #6 hose |
| YHJL-8-D-30 ¹ | Jump lines: 2 functions, #8 hose |
| YHJL-6-T-30 ¹ | Jump lines: 3 functions, #6 hose |
| YHJL-8-T-30 ¹ | Jump lines: 3 functions, #8 hose |
| YL-279 | Single-setting relief valve |
| YL-354 | Three-position relief valve |
| 2520877 | Pressure gauge |
| YSVK-1 | Solenoid installation kit: 2 functions Note: solenoid kits do not include any electrical adaptation for trucks. |
| Y088122.1 | Control knob: 2 functions (1 button) |
| 2527912 | Set of 2 quick disconnect hydraulic couplings ² |

¹ Includes the hoses to connect a standard attachment to the hose terminal on the lift truck carriage.

² See page J-3 for more information on quick disconnect coupling kits.

! Optional Mounting Hooks

| | Description |
|--------------------|-------------------------|
| Class II | Quick change hooks |
| Class III | Quick change hooks |
| Class IV | Quick change hooks |
| Class II/III | Dual bolt-on hooks |
| Class II/III | Dual quick change hooks |
| Class III/IV | Dual bolt-on hooks |
| Class III/IV | Dual quick change hooks |
| Pin/shaft mounting | |

For mounting other than shown, consult factory.

! Optional Features

| | Options |
|---|---|
| Split roll arms: Recommended for handling two rolls up to 1.5" maximum difference in diameter. For diameter differences greater than 1.5", consult factory. | |
| | KPR-10/95 |
| | KPR-20/25/35/48 (Fixed) |
| | KPR-48/50/55 |
| | KPR-60/70/75/90 |
| | KPR-95/11/12 |
| Restricted rotation: 90° or 180° | |
| Special contact pad surfaces | |
| Non-lubricated bushings | |
| Pivot frame | |
| Sequenced arm movement | |
| YCSY-0234-CLCTM | Clamp force gauge, 10,000 lbs max. psi |
| YCSY-0428-CLCTM | Clamp force gauge, 30,000 lbs max. psi |
| 2518127 | Cart kit, for use with clamp force gauges |
| Swivel cover kit | |

! Common Types of Kraft Paper

- Newsprint/super calender
- Uncoated form and printing stocks
- Bag, shipping sack, wrapping
- Bleached specialty packaging
- Tube, can, drum
- Unbleached kraft
- Gypsum wallboard facing
- Tissue and packaging
- Bleached and unbleached kraft linerboard
- For coated paper, see CPR Series on pages D-9 to D-11