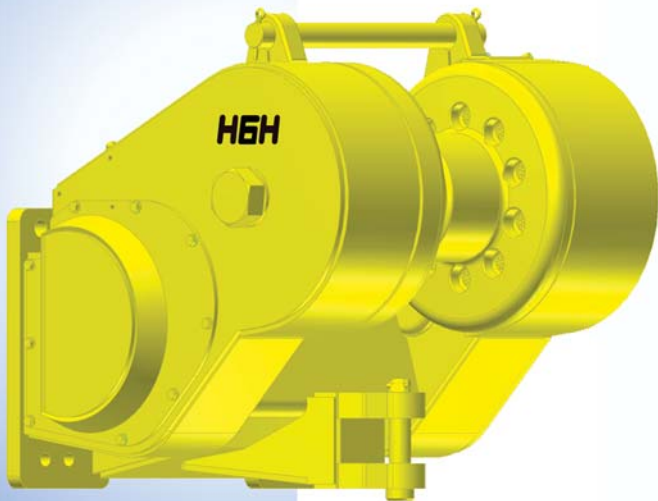




Service Instructions



Allied H6H H8L H12E Hydraulic Winches

Please check the Allied Systems website regularly for updates to Service Manual.
www.alliedsystems.com

CUSTOMER EDITION

A PRODUCT OF

Allied Systems
COMPANY

SHERWOOD, OREGON USA

P/N 599053W

Printed in USA

08/22/2013

H6H – Hydraulic Tube Installation Instructions

Parts Orientation

Figure 1 illustrates the major components involved with the installation of the hydraulic tube(s).

Some parts in this area have been omitted for clarity.

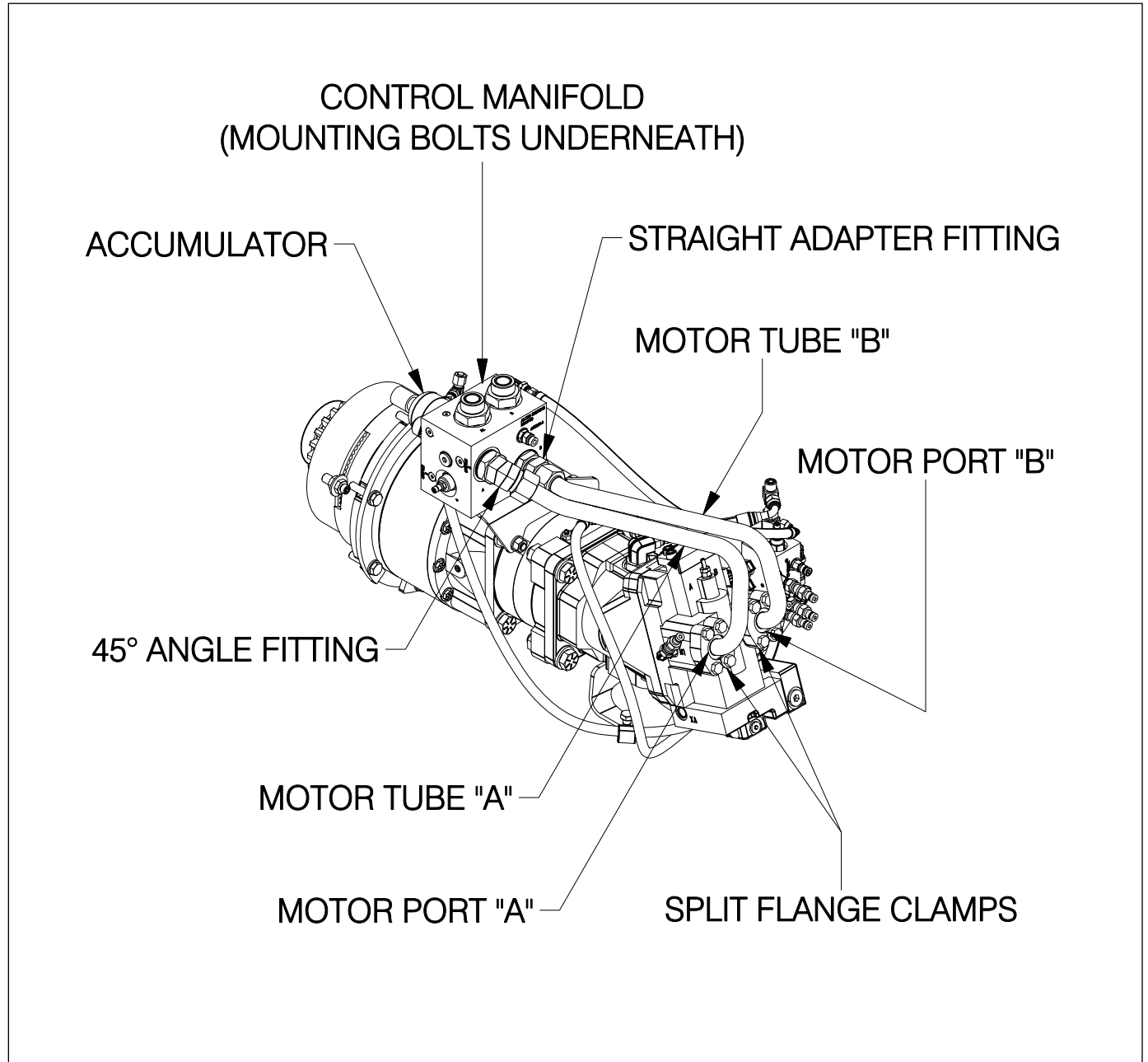


Figure 1 Parts Orientaton

⚠ CAUTION

Winch may have accumulators which can store hydraulic energy. Assume all hydraulic hoses and components are pressurized. Relieve all hydraulic pressure before disconnecting any hydraulic hose or tube.

BEFORE ASSEMBLING TUBES

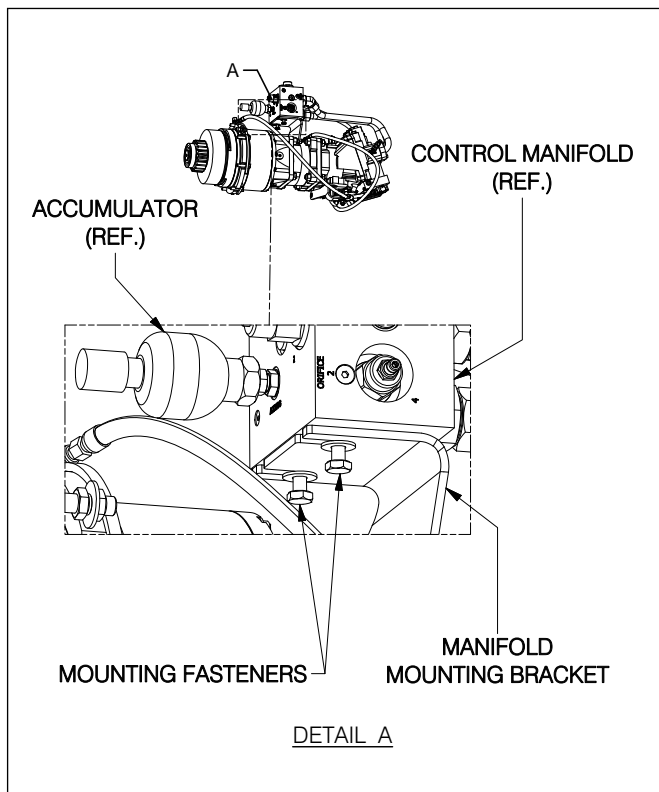
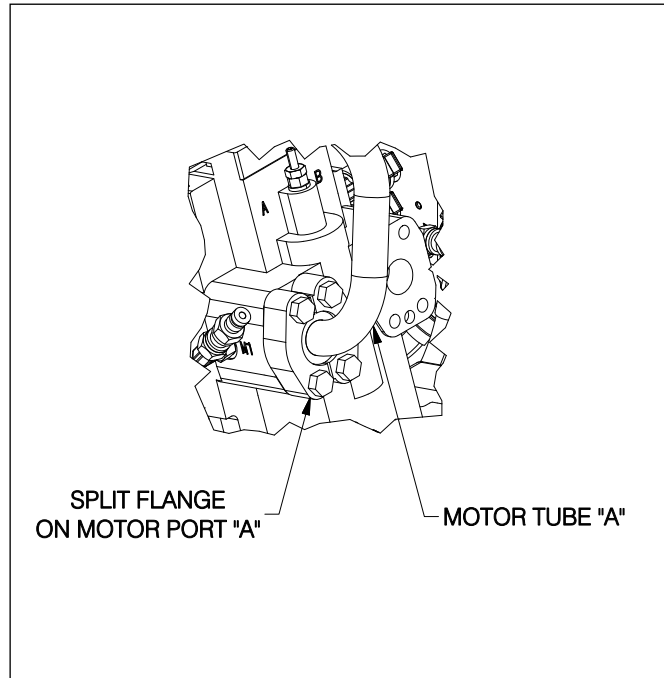
When installing motor tubes, exercise care to ensure the tubes are properly aligned and not placed in a bind which would cause strain on the tube fittings.

Both tubes must be assembled and tightened in the proper sequence. If only one tube is being installed, loosen the other tube and follow the sequence below. The manifold mounting bolts, located underneath the manifold, need to be loosened but not removed.

If necessary for wrench clearance, the accumulator(s) may be removed from the manifold, depending on applications, which may have none, one or two accumulator(s).

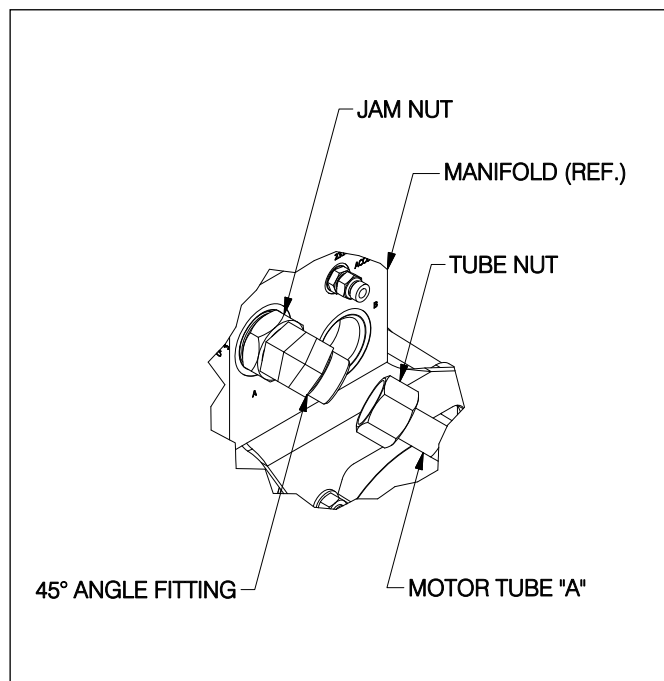
STEP 1:

Install motor tube "A" to motor port "A", leaving split flange clamp snug but loose enough that the tube can rotate for best alignment.



STEP 2:

Install the 45° angle fitting in manifold port "A" and align with motor tube A. From its fully seated position, the 45° fitting can be backed-out one full turn to provide additional adjustment.

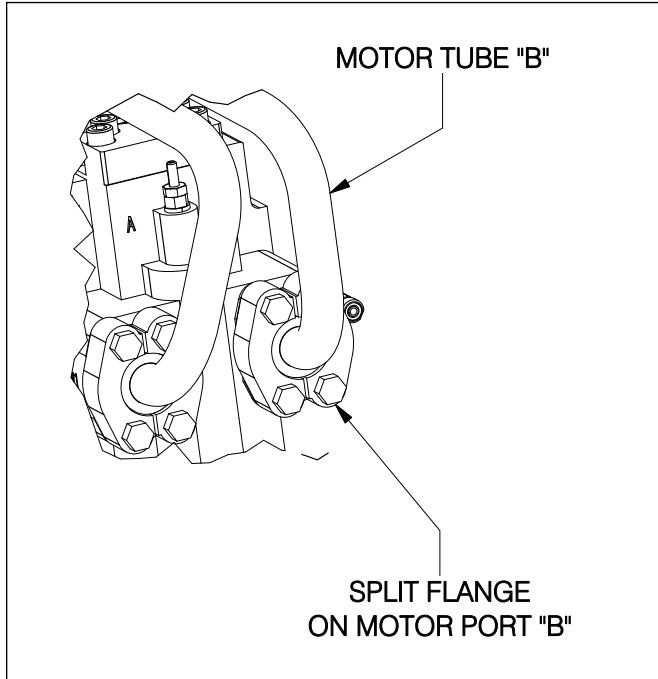


STEP 3:

When tube and fitting are aligned, thread tube nut onto fitting, hand tight.

STEP 4:

Install motor tube "B" to motor port "B" similar to step 1.



STEP 6:

When tube and fitting are aligned, thread tube nut onto fitting, hand tight.

STEP 7:

Once the best alignment of motor tubes has been achieved, tighten the connections in the same sequence followed for installation. Remember to tighten the fitting jam nuts.

STEP 8:

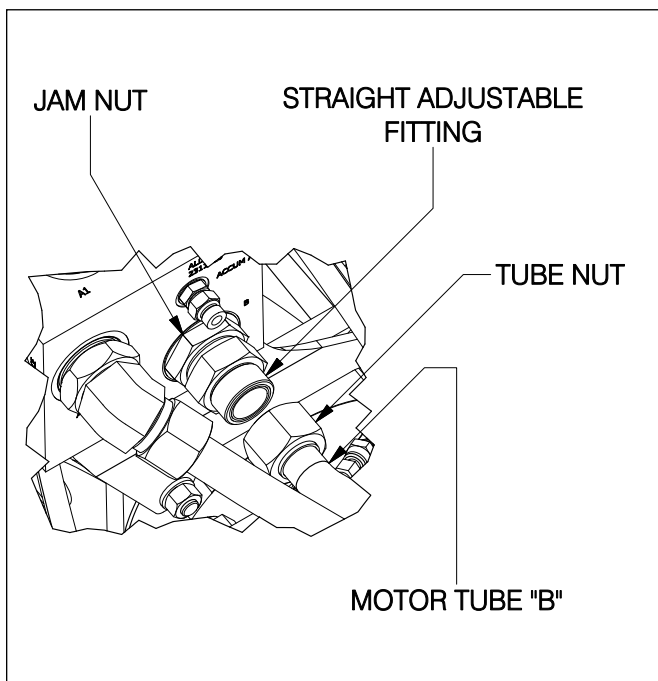
Tighten the manifold mounting bolts and install accumulators if removed.

STEP 9:

Fill tractor hydraulic reservoir, operate winch and check for leaks. Replace access covers.

STEP 5:

Install the straight, adjustable fitting into the manifold port "B" and align with motor tube "B". From its fully seated position, the straight, adjustable fitting can be backed-out one full turn to provide additional adjustment.



Intentionally Blank



To find a dealer in your area,
Call: (503) 625-2560,
Fax: (503) 625-7269 , or
Email: marketing@alliedsystems.com, or
Visit our website: <http://www.alliedsystems.com>

