

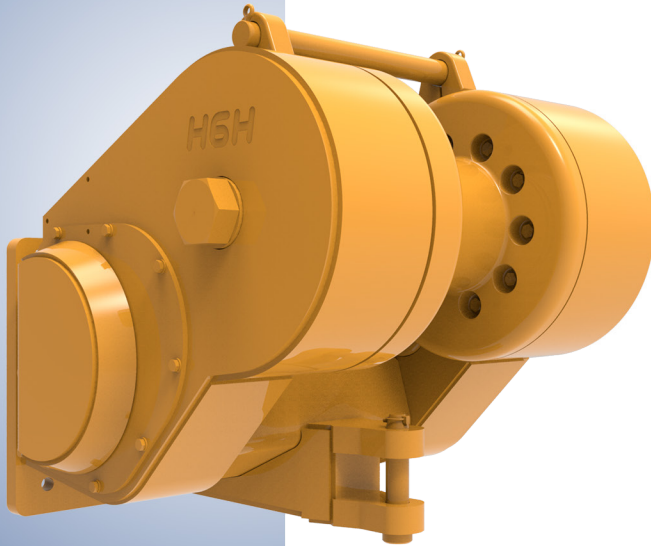


# Parts Manual

## Allied H6H

### Hydraulic Winch for Tigercat Skidders

Please check the Allied Systems website  
regularly for updates to this manual.  
[www.alliedsystems.com](http://www.alliedsystems.com)



# Customer Edition

A PRODUCT OF

**Allied Systems**  
COMPANY

SHERWOOD, OREGON USA

P/N 599039W-TIG

Printed in U.S.A. 3/2019

## **Safety Precautions**

**Read, understand and observe the Safety Summary on pages 2 through 4 to prevent injury to personnel and damage to equipment.**

**Winch serial number \_\_\_\_\_**

**Date put into service \_\_\_\_\_**

**NOTE: This publication may be translated to different languages for the sole purpose of easy reference in non-English speaking locations. Should there be differences in interpretations to the text, please refer to the English language edition published by Allied Systems Company as the controlling document.**

---

**Index**

**H6H Winch Parts for Tigercat**

Safety Summary . . . . . 2

Unit Identification . . . . . 5

Oil Specifications . . . . . 7

Ordering Parts . . . . . 8

Nameplate & Decals . . . . . 9

Section 1 Frame/Covers/Mounting Parts . . . . . 11

Section 2 Gear/Shaft Train . . . . . 19

Section 3 Hydraulics/Electrical/Controls . . . . . 37

Section 4 Optional Equipment . . . . . 95

Section 5 Recommended Service Intervals & Kits . . 102

Section 6 Recommended Service Parts . . . . . 110

Section 7 Numerical Index . . . . . 118

## Safety Summary

### General Safety Notices

The following pages contain general safety warnings which supplement specific warnings and cautions appearing elsewhere in this manual. All electrical and hydraulic equipment is dangerous. You must thoroughly review and understand the Safety Summary before attempting to operate, troubleshoot or service this winch.

The following symbols and terms are used to emphasize safety precautions and notices in this manual:

### DANGER

The “DANGER” symbol indicates a hazardous situation which, if not avoided, will result in serious injury or death. Carefully read the message that follows to prevent serious injury or death.

### WARNING

The “WARNING” symbol appears wherever incorrect operating procedures or practices could cause serious injury or death. Carefully read the message that follows to prevent serious injury or death.

### CAUTION

The “CAUTION” symbol appears where a hazardous situation which, if not avoided, could result in minor to moderate injury and equipment damage.

### NOTICE

This signal word alerts to a situation that is not related to personal injury but may cause equipment damage.

NOTE: ...

The term “NOTE” highlights operating procedures or practices that may improve equipment reliability and/or personnel performance.

### Safety Regulations

Each country has its own safety legislation. It is in the operator's own interest to be conversant with these regulations and to comply with them in full. This also applies to local bylaws and regulations in force on a particular worksite.

Should the recommendations in this manual deviate from those in the user' country, the national regulations should be followed.

### Operation, Inspection, and Maintenance Warnings

### WARNING

Multiple hazards.

Ignoring safety warnings may cause equipment damage, personal injury or death.

All possible safety hazards cannot be foreseen and included in this manual. The operator must always be alert to possible hazards that could endanger personnel or damage the equipment.

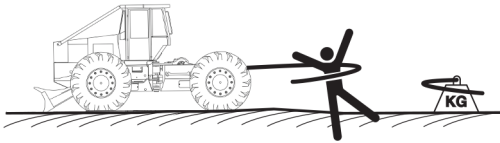
### Training

- Do not operate the winch unless your are authorized and trained to do so.
- Read, understand, and follow the operating, inspection, and maintenance instructions in this manual.
- Keep yourself informed of any applicable codes, regulations and standards for the job.

### Personnel Safety

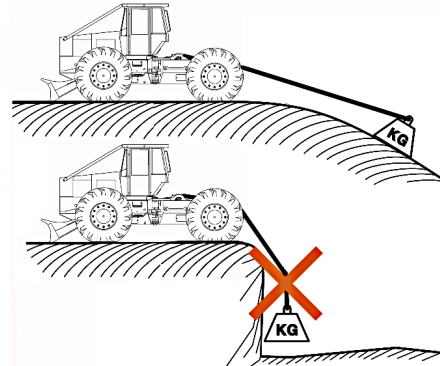
- Stay in the operator's seat when operating the winch.
- Do not stand on the vehicle when operating the winch.

- Avoid winch operation near people or other machines.
- Never stand nor permit others to stand in the bight (loop) of a wire rope.
- Do not stand nor permit others to be near the winch or wire rope when there is tension on the wire rope.



- Make sure ground personnel are in plain view of the operator, and at a distance of at least 1½ times the working length of the wire rope.
- Observe jobsite rules.
- Do not use the control levers for hand holds when entering or leaving the vehicle.
- Be in complete control at all times.
- Do not use the control levers as hangers for clothes, water bags, grease guns, lunch pails, etc.
- Do not leave the vehicle when the winch wire rope is under tension.
- Do not permit riders on the vehicle or load.
- Operation Warnings
- Do not operate the winch unless the vehicle is equipped with a screen to protect the operator if the wire rope breaks.
- Be aware of the ground conditions, and make sure the ground and skidder are stable enough to pull the intended load.
- Do not attempt to pull loads in excess of the rated capacity of the winch.
- Make sure that any hand signals used by ground personnel are clearly defined and understood by everyone involved.

- Do not attempt to “jerk” or “shock” a load free. Doing so can cause loads in excess of the rated capacity of the wire rope, winch, or mounting hardware.
- Your winch may have temperature shut-off system for protection of skidder and winch. Manual override of high temperature shut-off will cause damage to skidder and winch.
- This winch is neither intended, designed, nor rated for any application involved in the lifting or moving of personnel.
- Do not use the winch as an anchor for a double or two-part line.
- Do not pull the hook through the throat or over the drum, which will cause damage.
- When the winch is not in use, make sure the control lever is in **BRAKE-ON** position and the winch brake is applied.
- Do not use winch as a hoist. Skidder and skidder mounted winches are designed for towing.



### Wire Rope Safety

- Always inspect wire rope, tail chain and other rigging components for wear, damage, broken strands or abuse before use.
- Never use wire rope, tail chain or other rigging that is worn-out, damaged or abused.
- Never overload wire rope, tail chain or rigging.
- Wire rope and tail chain will fail if worn-out, overloaded, misused, damaged, improperly maintained or abused.


**WARNING**

**Wire rope or tail chain failure may cause serious injury or death.**

**Inspect rigging before use and obey all safety warnings.**

- Do not terminate wire rope to tail chain by the use of a knot.
- Do not handle wire rope if the hook end is not free. A load could break away, suddenly tensioning the wire rope, resulting in serious injury or death.
- Stay clear of wire rope entry areas (fairlead or arch rollers, winch drum etc).
- Maintain **a minimum of three (3) complete wraps of wire rope** on the drum for normal operation. It may help to paint the last five wraps of wire rope a contrasting color, to serve as a visual indicator.
- Do not handle wire rope with bare hands. Wear leather gloves at all times.
- Align the skidder with the load to prevent side loading the winch, and to maintain even spooling of the wire rope.
- If applying tension to the wire rope manually during spooling:
  - » ensure that the operator is winching in slowly,
  - » keep your hands and clothing well clear of any rollers or the winch drum,
  - » do not maintain tension by letting the wire rope to slip through your hands,
  - » use a hand-over-hand technique to maintain tension.

### Maintenance Warnings

- Do not permit other people near the control area when you inspect or repair a machine.
- Never inspect, repair, or perform maintenance on a machine that is in motion.
- Inspect the winch before each use:
  - » Make sure that the controls and instruments operate correctly.
  - » Report the need for repairs immediately.
  - » Do not work with a damaged or worn wire rope.
  - » Do not use a winch that needs repairs.
  - » If the wire rope and ferrule must be removed

from the drum, make sure the end of the wire rope and ferrule are controlled when the ferrule is released. The end of the wire rope can suddenly move from the drum like a compressed spring when the ferrule is released, and cause an injury.

- Replace any parts only with genuine Allied Winch parts.
- Use only the lubricants listed in the Recommended Oil List. See page 7.
- The hydraulic system must be kept clean and free of contamination at all times.
- Do not weld on any part of the winch. Contact Allied Systems if weld repairs are needed.

### Hydraulic Hazards

- Wear personal protective equipment, such as gloves and safety glasses, whenever servicing or checking a hydraulic system.
- Assume that all hydraulic hoses and components are pressurized. Relieve all hydraulic pressure before disconnecting any hydraulic line.
- Never try to stop or check for a hydraulic leak with any part of your body; use a piece of cardboard to check for hydraulic leaks.
- Small hydraulic hose leaks are extremely dangerous, and can inject hydraulic oil under the skin, even through gloves.


**DANGER**

**Injection hazard.**

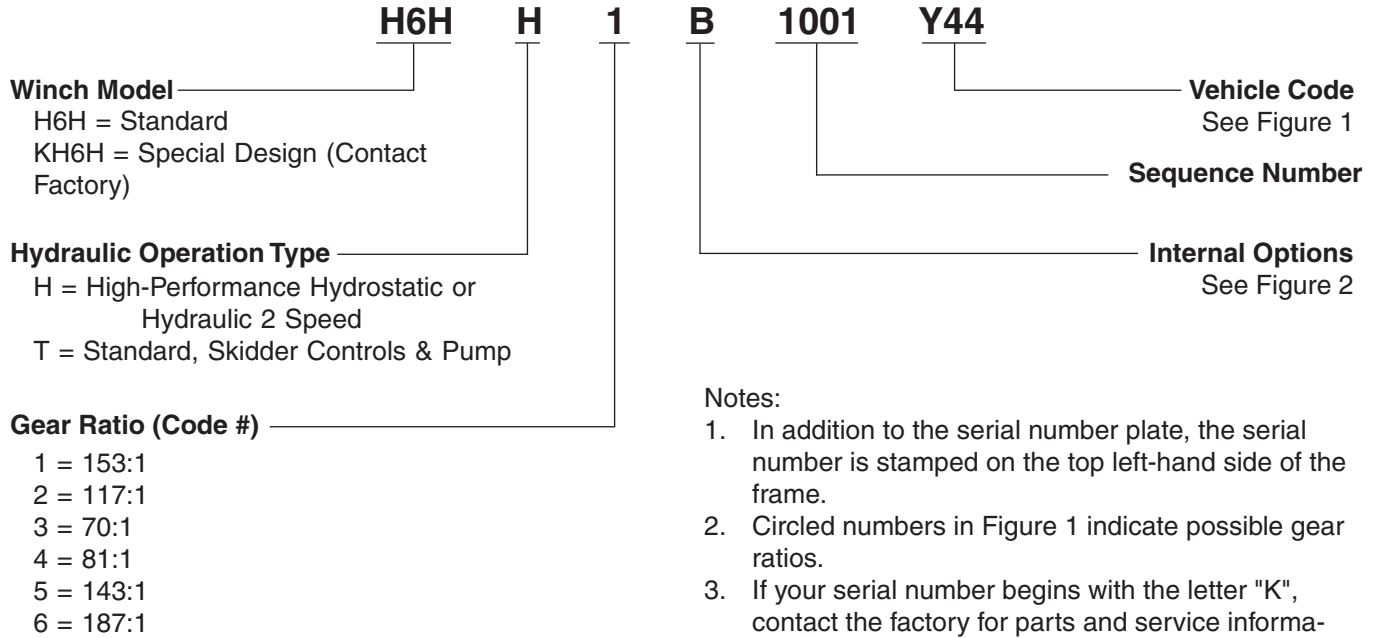
**Infection and gangrene will result when hydraulic oil penetrates the skin. See a doctor immediately to prevent loss of limb or death.**

**Use a piece of cardboard to check for hydraulic leaks.**



## Unit Identification

Allied Winch S/N Nameplate Data For Skidder Mountings



**Notes:**

1. In addition to the serial number plate, the serial number is stamped on the top left-hand side of the frame.
2. Circled numbers in Figure 1 indicate possible gear ratios.
3. If your serial number begins with the letter "K", contact the factory for parts and service information.
4. If your serial number ends with the letter "M", contact the factory for parts and service information.

<b>C O D E</b>	<b>Y</b> Tigercat
<b>44</b>	635D②

**Figure 1 - Skidder or Skidder Identification Codes and Available Gear Ratios**

	FREESPOOL	BRAKE-OFF	OVERWIND	2-SPEED CONTROL
<b>B</b>	X	X	X	
<b>D</b>	X	X	X	X
<b>E</b>	X		X	
<b>U</b>	X	X		
<b>BN</b>		X	X	
<b>DN</b>		X	X	X
<b>EN</b>			X	
<b>DE</b>	X		X	X
<b>DU</b>	X	X		X

**Figure 2 - Internal Winch Options**

### When the part number and the next higher assembly is not known:

1. Determine the function and application of the part required. Turn to the illustrated index page immediately behind the front cover, and select the most appropriate area.
2. Use the table of contents at the beginning of each chapter to determine the assembly which would normally contain the part required. Proceed then to locate the part on the assembly breakdown page.

### When the part number is not known and the next higher assembly is known:

1. Determine the assembly the required part is used on. Turn to the master index (which immediately follows the illustrated index).
2. Locate the assembly on which the required part is used, and turn to the page indicated for that assembly. Proceed to locate the part on the assembly breakdown page.

### When the part number is known:

Use the numerical index to find the part number. Turn to the page listed and locate the part as indicated by the reference number.

### General:

The assembly breakdowns include part numbers, descriptions, quantities required, keys and footnotes to help in selecting the correct parts.

Keys are used to show effective serial numbers for two or more similar assemblies, LH and RH assembly parts, etc. Select the appropriate key, "A," "B," "C," or "D" and the corresponding quantity column to find the required parts.

Indent dots are used to indicate assemblies and sub-parts of assemblies. No dot indicates the major assembly. Part descriptions which are indented with dots are sub-parts of the major assembly shown above.

Quantities shown are for one assembly. Note that when two assemblies are shown, but the quantity of the sub-parts is indicated as three, this means three per assembly - for a total of six. AR means As Required, and NSS indicates Not Sold Separately.

Serial numbers are shown to allow for the most current parts information to be incorporated into the parts manual. See page 5 for serial number information.

### Abbreviations

Abbreviations are used both on the winch and in this manual. For example, a manifold may have a port stamped "FS". That port is related to the "freespool" circuit. This abbreviation is also used on pages in this manual that reference this port, or the ports connected to this port. Figure 2 lists the most common abbreviations used in this manual.

Abbreviation	Full Name
P	Pressure
T	Tank
BO	Brake Off
FA	Filter Outlet
FE	Filter Inlet
FS	Freespool
HS	High Speed
LS	Load Sense
PD	Pilot Drain
PP	Pilot Pressure
PS	Pilot Supply
RI	Reel In
RO	Reel Out
TP	Test Port
TS	Temperature Switch

Figure3 2 - Abbreviations



## Oil Specifications

### Oil Selection

To get the most suitable temperature-viscosity characteristics, choose one of the oils listed below.

Manufacturer	Winch Case (Gear Train)
Exxon-Mobil (standard)	Mobil Trans HD Series
Chevron (optional)	Drive Train Fluids HD
Caterpillar (optional)	TO-4

Figure 4 - Recommended Oil List

Factory fill is Exxon-Mobil Trans HD 30.

**Note: This winch uses hydraulic fluid from the dozer. See Figure 4 for recommended gear train fluids. Contact the factory if alternate oils are required.**

**Use of a non-recommended oil may void the warranty.**

### Oil Capacity

Oil capacity for the H6H winch is 4 gallons (15 liters).

Viscosity Grade		Oil Operating Temperature Range		Typical Ambient Temperature Range	
ISO	SAE	°F	°C	°F	°C
VG 22	10W	-5 to 140	-20 to 60	-5 to 40	-20 to 4
VG 32	15W	10 to 160	-12 to 71	10 to 55	-20 to 13
VG 46	20	20 to 180	-7 to 82	20 to 70	-7 to 21
VG 68	20	30 to 200	-1 to 93	30 to 90	-1 to 32
VG 100	30	40 to 220	4 to 104	40 to 110	4 to 43

Figure 5 - Viscosity Chart

## Ordering Parts

When ordering replacement parts, give the unit serial number, part number, name of part and quantity required.

For any further information on parts, service or ordering, consult your local winch dealer, or contact Allied Systems Company:

**Allied Systems Company**  
21433 SW Oregon Street  
Sherwood, OR 97140 U.S.A.

Phone: 503-625-2560  
Fax: 503-625-5132  
E-mail: [parts@alliedsystems.com](mailto:parts@alliedsystems.com)

Also see our website, [www.alliedsystems.com](http://www.alliedsystems.com), where the most current copy of this manual is always available.

**NOTE: This publication may be translated to different languages for sole purpose of easy reference in non-English speaking locations. Should there be differences in interpretations to the text, please refer to the English language edition published by Allied Systems Company as the controlling document.**



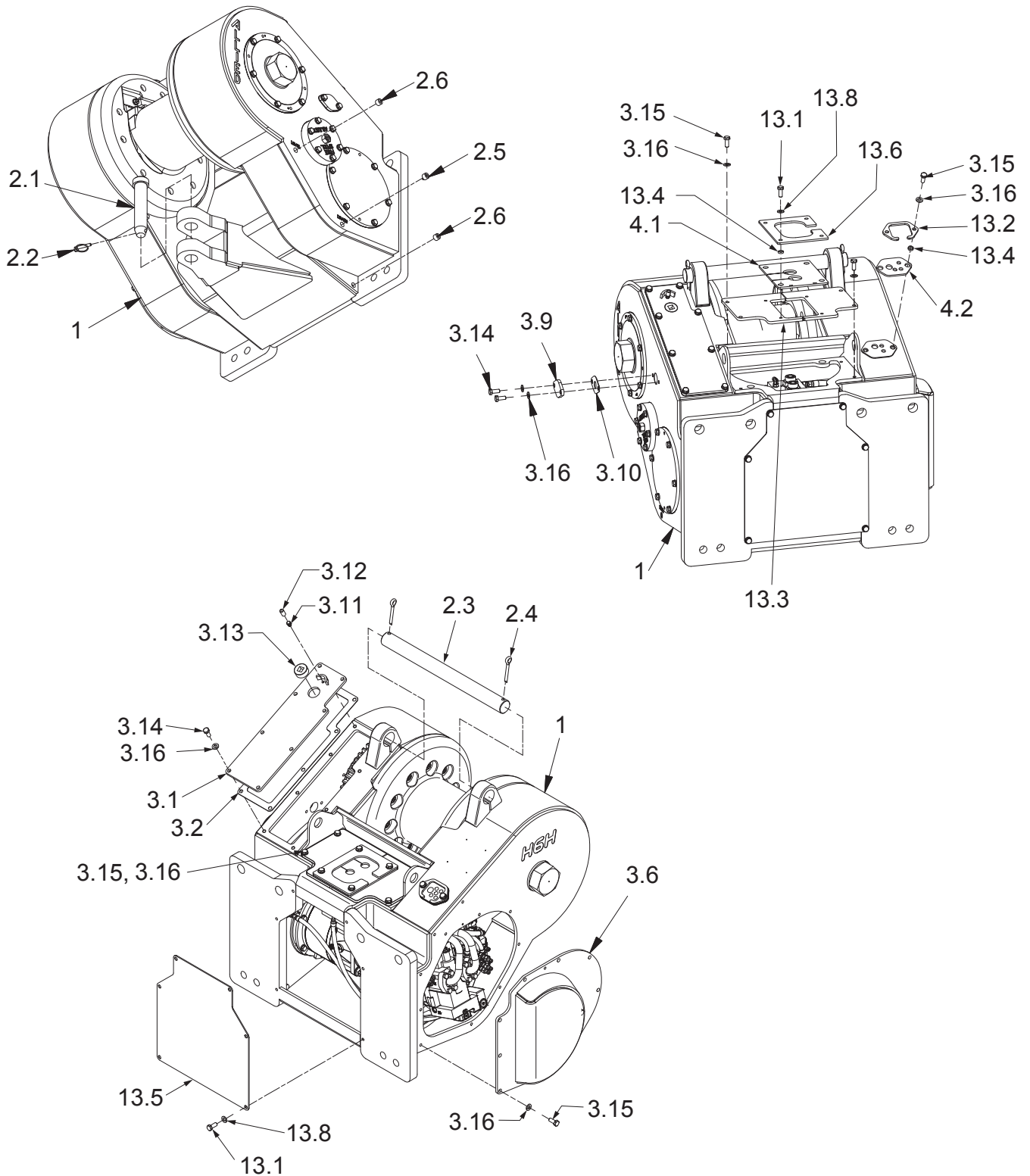
**Intentionally Blank**

**Section 1**  
**Frames and Covers**

**Frame/Covers**

Tigercat 635D (H6HT2U\*\*Y44)

Page 1 of 2



**Frame/Covers**

Tigercat 635D (H6HT2U\*\*Y44)

Page 2 of 2

Item	Part No.	Qty	Description	Item	Part No.	Qty	Description
1	-----	1	Frame, H6H	3.13	15319W	1	Fitting
2.1	95959W	1	Pin, Drawbar	3.14	2312486	10	Capscrew
2.2	2303221W	1	Pin, Retaining	3.15	293645W	15	Capscrew
2.3	2312580	1	Rod, Tie	3.16	296422W	25	Washer
2.4	15272W	2	Pin	4.1	2313747	1	Seal, Top
2.5	15290W	1	Fitting	4.2	2313744	1	Seal, Top LH
2.6	15315W	2	Fitting	13.1	293645W	10	Capscrew
3.1	2312048	1	Cover, Top RH	13.2	2312117	1	Cover
3.2	2312045	1	Gasket, Top RH	13.3	2313380	2	Cover, Top
3.6	2316162	1	Cover, LH	13.4	2312119	6	Spacer
3.9	151589W	1	Cover, Freespool	13.5	2312046	1	Cover, Front
3.10	151646W	1	Gasket, Freespool	13.6	2312006	1	Clamp, Top
3.11	21420W	1	Plug, Breather	13.8	296422W	10	Washer
3.12	2300962W	1	Cap, Breather				

## Mounting/Installation Parts

Tigercat 635D (H6HT2U\*\*Y44)

**Note:**

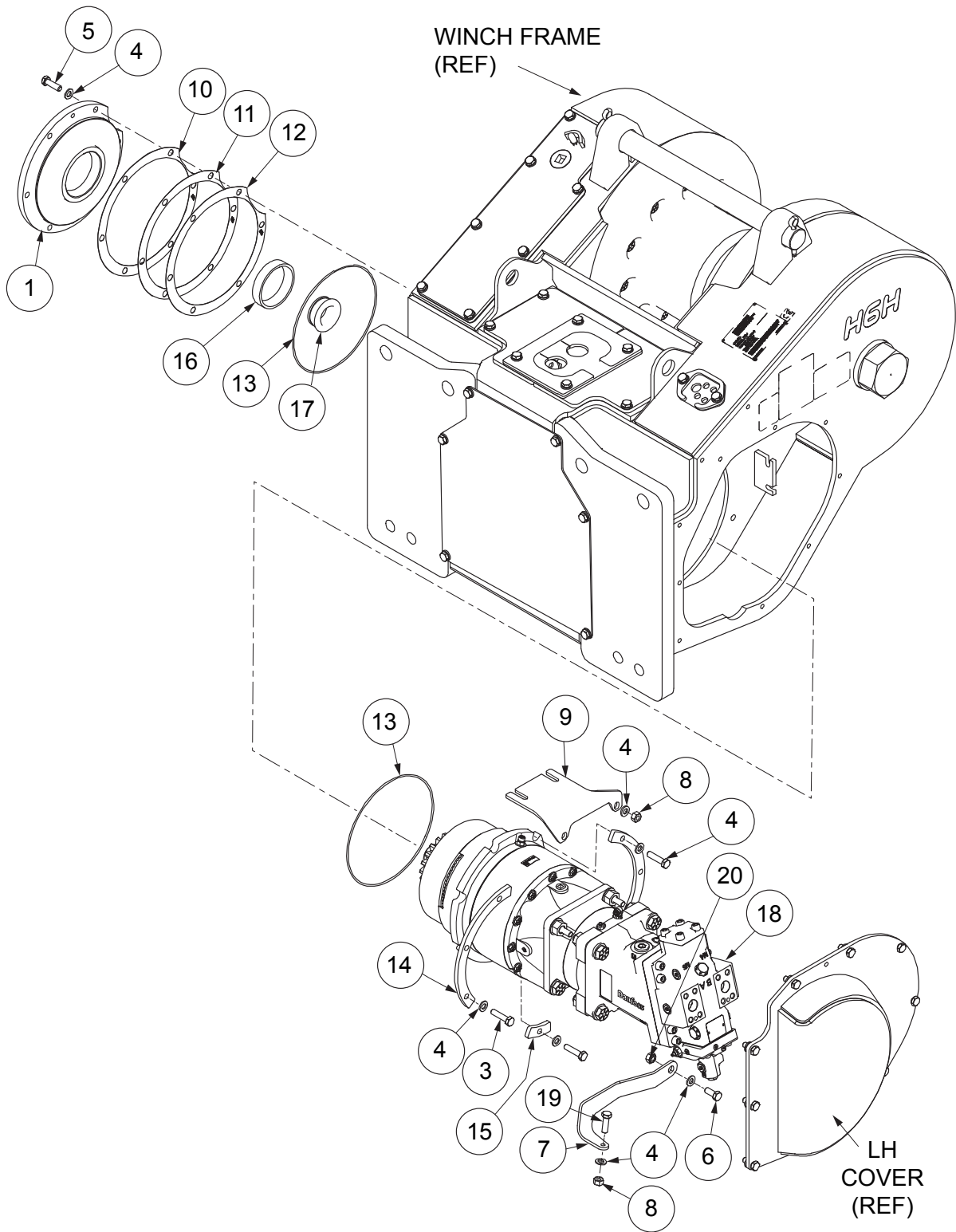
Mounting/installation parts are customer-supplied for this model.



**Section 2**  
**Gear Shaft/Train**

# Motor Shaft Group

Page 1 of 2



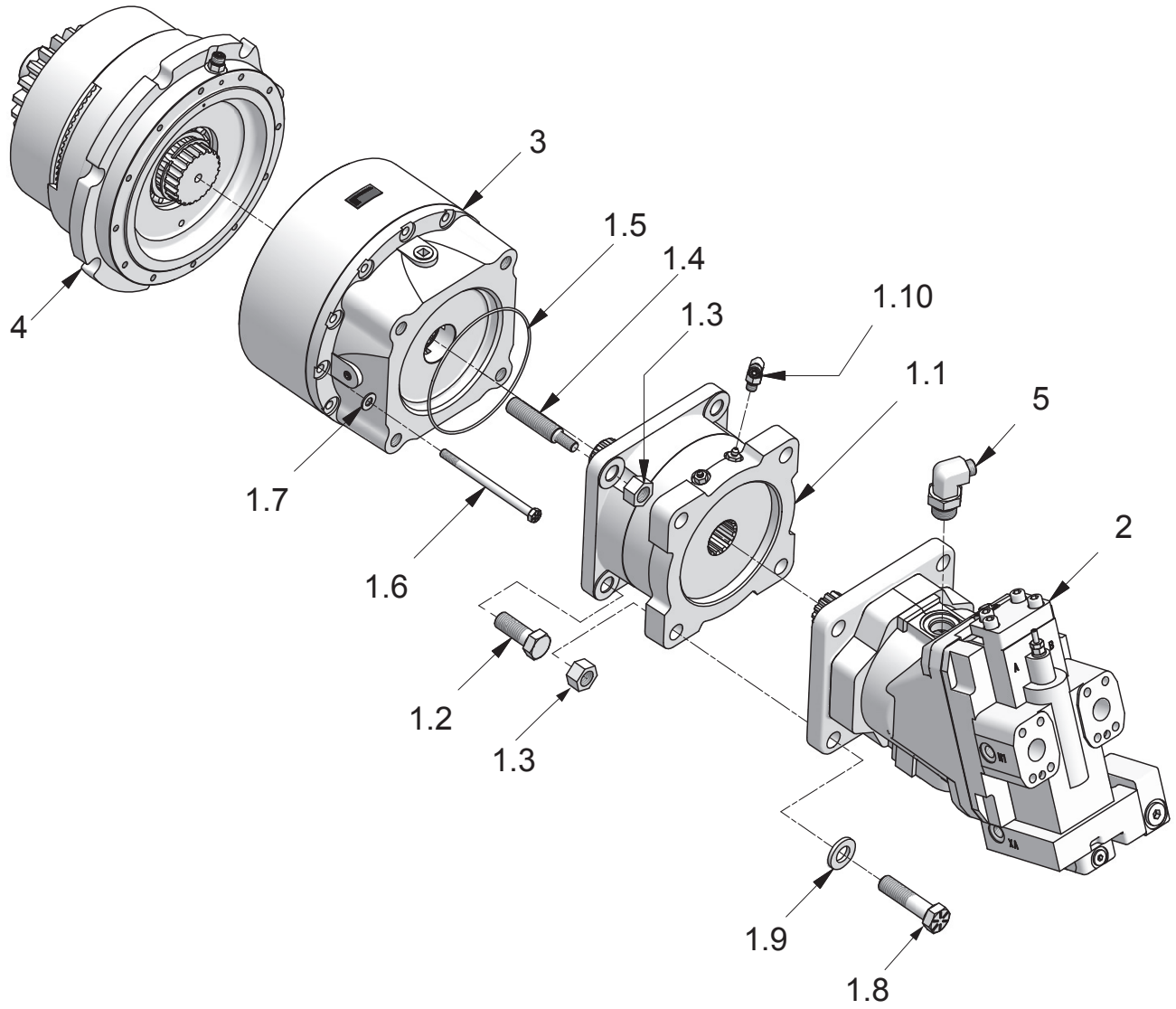
## Motor Shaft Group

Page 2 of 2

Item	Part No.	Qty	Description	Item	Part No.	Qty	Description
	<b>2311819</b>		<b>Motor Shaft Group</b>				
1	2311857	1	. Cover, Bearing	14	2311917	2	. Plate, Clamp
3	2312488	7	. Capscrew	15	2311918	1	. Plate, Clamp
4	296422W	19	. Washer	16	*b 2300668W	1	. Cup, Bearing
5	2312487	6	. Capscrew	17	*b 2300669W	1	. Cone, Bearing
6	293645W	1	. Capscrew	18	*e - - - -	1	. Assy, Motor Shaft
7	*c 2316491	1	. Bracket, Motor Support	19	293647W	1	. Capscrew
7	*d 2312036	1	. Bracket, Motor Support	20	2305130W	1	. Nut, Bracket Support
8	292656W	3	. Nut				
9	2312018	1	. Manifold Bracket				
10	2312061	AR	. Shim .020	*a	Included in Motor, Reducer & Brake Assembly Rebuild Kit 2314659		
11	2312059	AR	. Shim .005	*b	Included in Intermediate/Drum Shaft & Brake Assembly Rebuild Kit 2314660		
12	2312060	AR	. Shim .007	*c	First Used S/N 1714		
13	*a 203564	2	. O-Ring	*d	Last Used S/N 1713		
				*e	See page 18 for details		

# Motor Shaft Assembly

Tigercat



## Motor Shaft Assembly

Tigercat 635D (H6HT2B\*\*Y44) Last Used S/N 1713

Item	Part No.	Qty	Description	Item	Part No.	Qty	Description
	<b>2313728</b>		<b>Assembly, Motor Shaft</b>				
1.1	*a 2312155	1	. Brake, D Mount Dry Disk	1.9	221777W	4	. Washer
1.2	Y17C-1232	2	. Capscrew	1.10	R833251	1	. Fitting
1.3	221716W	6	. Nut	2	*c 2313727	1	. Motor, Hydraulic
1.4	2312041	2	. Stud		NS 2313890	1	. . O-Ring, Pilot Motor
1.5	*b 237349	1	. O-Ring		NS 2313891	1	. . Kit, Shaft Seal
1.6	R13801826	12	. Capscrew	3	2311883	1	. Reducer, Planetary
1.7	221767W	12	. Washer	4	2313026	1	. Assembly, Shaft
1.8	177192W	4	. Capscrew	5	R833260	1	. Fitting, Motor Case Drain

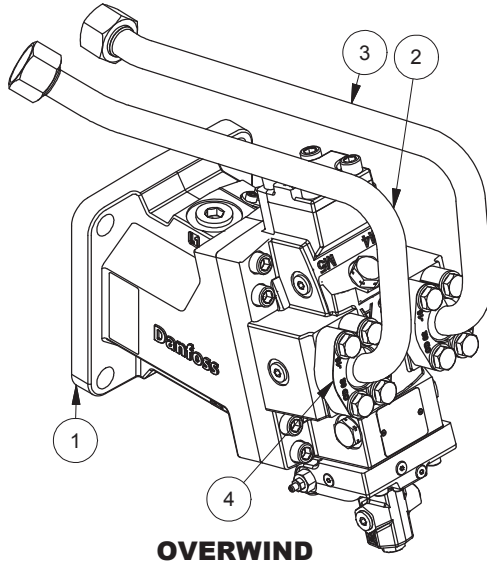
## Motor Shaft Assembly

Tigercat 635D (H6HT2B\*\*Y44) First Used S/N 1714

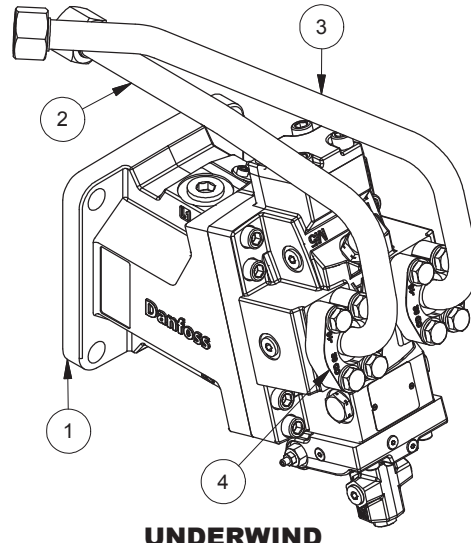
Item	Part No.	Qty	Description	Item	Part No.	Qty	Description
	<b>2316150</b>		<b>Assembly, Motor Shaft</b>				
1.1	*a 2312155	1	. Brake, D Mount Dry Disk	2	2316124	1	. Motor, Hydraulic
1.2	Y17C-1232	2	. Capscrew		NS 2313890	1	. . O-Ring, Pilot Motor
1.3	221716W	6	. Nut		NS 2313891	1	. . Kit, Shaft Seal
1.4	2312041	2	. Stud	3	2311883	1	. Reducer, Planetary
1.5	*b 237349	1	. O-Ring	4	2313026	1	. Assembly, Shaft
1.6	R13801826	12	. Capscrew	5	R833260	1	. Fitting, Motor Case Drain
1.7	221767W	12	. Washer				
1.8	177192W	4	. Capscrew	*a	See page 25 for details		
1.9	221777W	4	. Washer	*b	Included in Motor, Reducer & Brake Assembly Rebuild Kit 2314659		
1.10	R833251	1	. Fitting	*c	See page 20 for Motor Replacement Kit details		
				NS	Not Shown		

# Motor Replacement Kit

Page 1 of 2



**OVERWIND**



**UNDERWIND**

Item	Part No.	Qty	Description	Item	Part No.	Qty	Description
1	*a	-----	1	Motor - Hyd; Danfoss H1B			
2	*a	-----	2	Tube Assy - Motor A			
3	*a	-----	6	Tube Assy - Motor B			
4	592255	2	Kit, Split Flange				

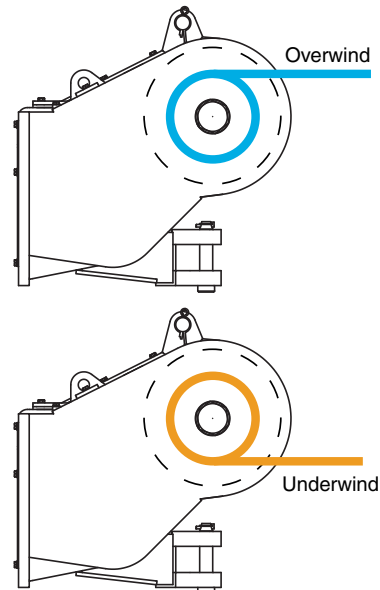
\*a Refer to the chart below to determine replacement parts for cancelled motors

WINCH MODEL	KIT PART NUMBER:	OVERWIND/ UNDERWIND	CANCELLED MOTOR:	ITEM 1 (CURRENT MOTOR):	ITEM 2 (TUBE A):	ITEM 3 (TUBE B):
H6HT2U**Y44	2316873	U	2313727	2316124	2316714	2316715
	2316872	O			2316108	2316109

**Notes:**

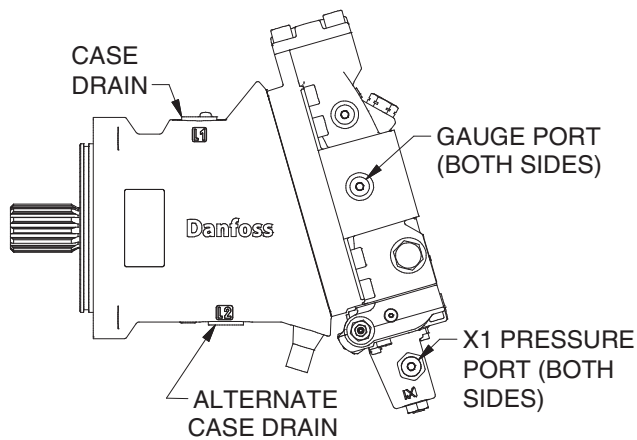
Use this chart to determine which H1B motor replaces the cancelled 51V motor.

Be sure to note whether your motor is overwind or underwind to get the appropriate kit. Each kit contains all the components needed to convert your winch to the current motor.

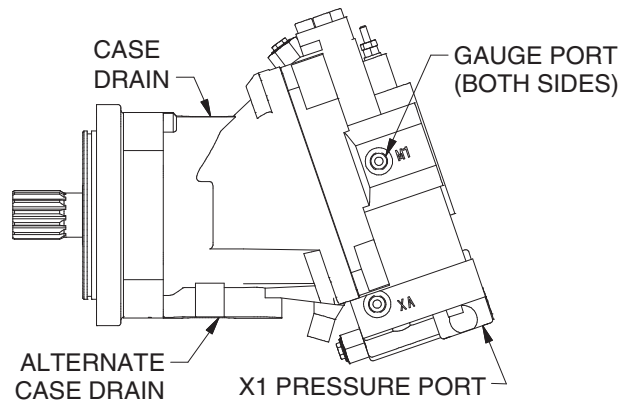


**Motor Replacement Kit**

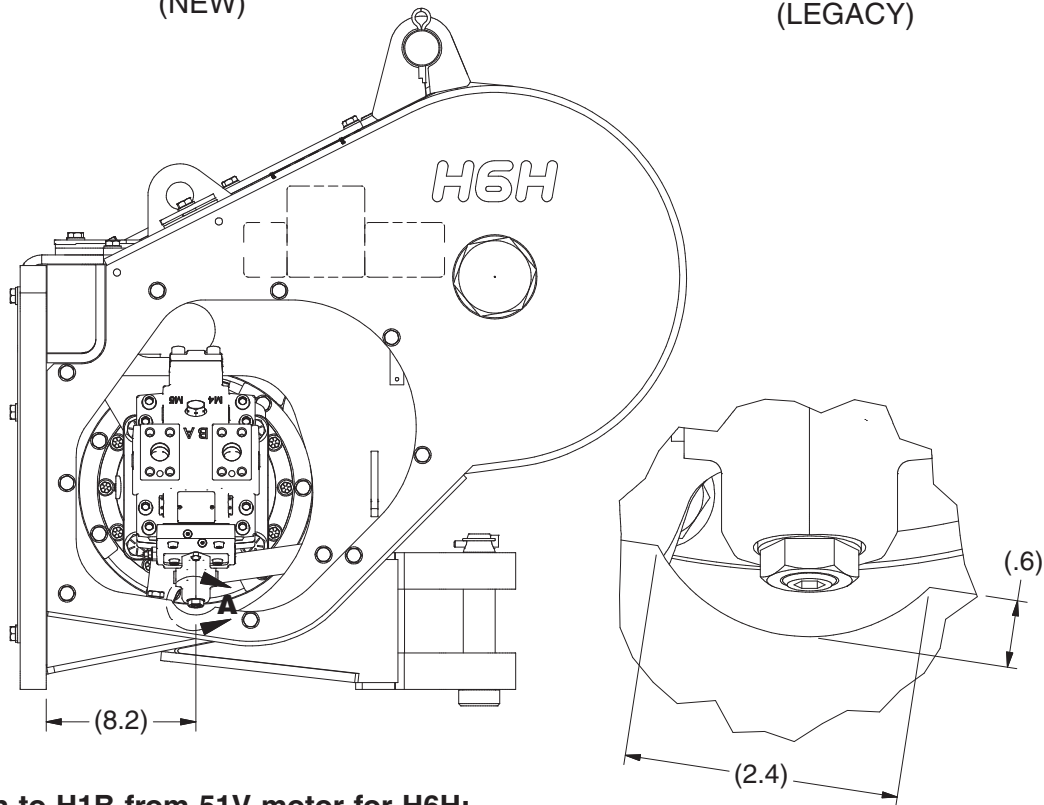
Page 2 of 2



**H1B MOTOR  
(NEW)**



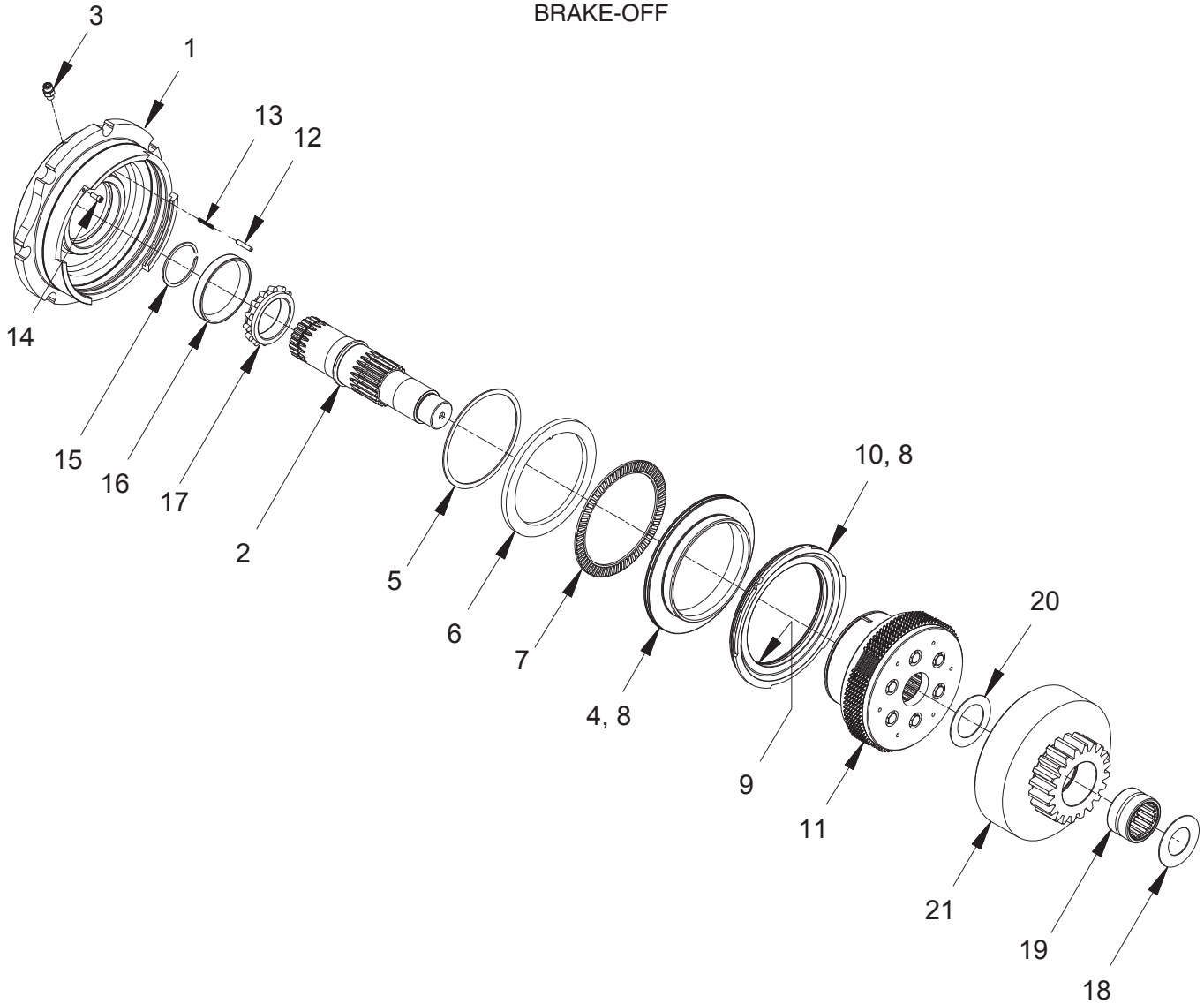
**51V MOTOR  
(LEGACY)**



**Conversion to H1B from 51V motor for H6H:**

1. Remove material from the winch frame as seen in Detail A to allow the new H1B motor to fit. More material may be removed if necessary for fit.
2. Material may be removed from the cover as necessary to allow the new motor to fit.

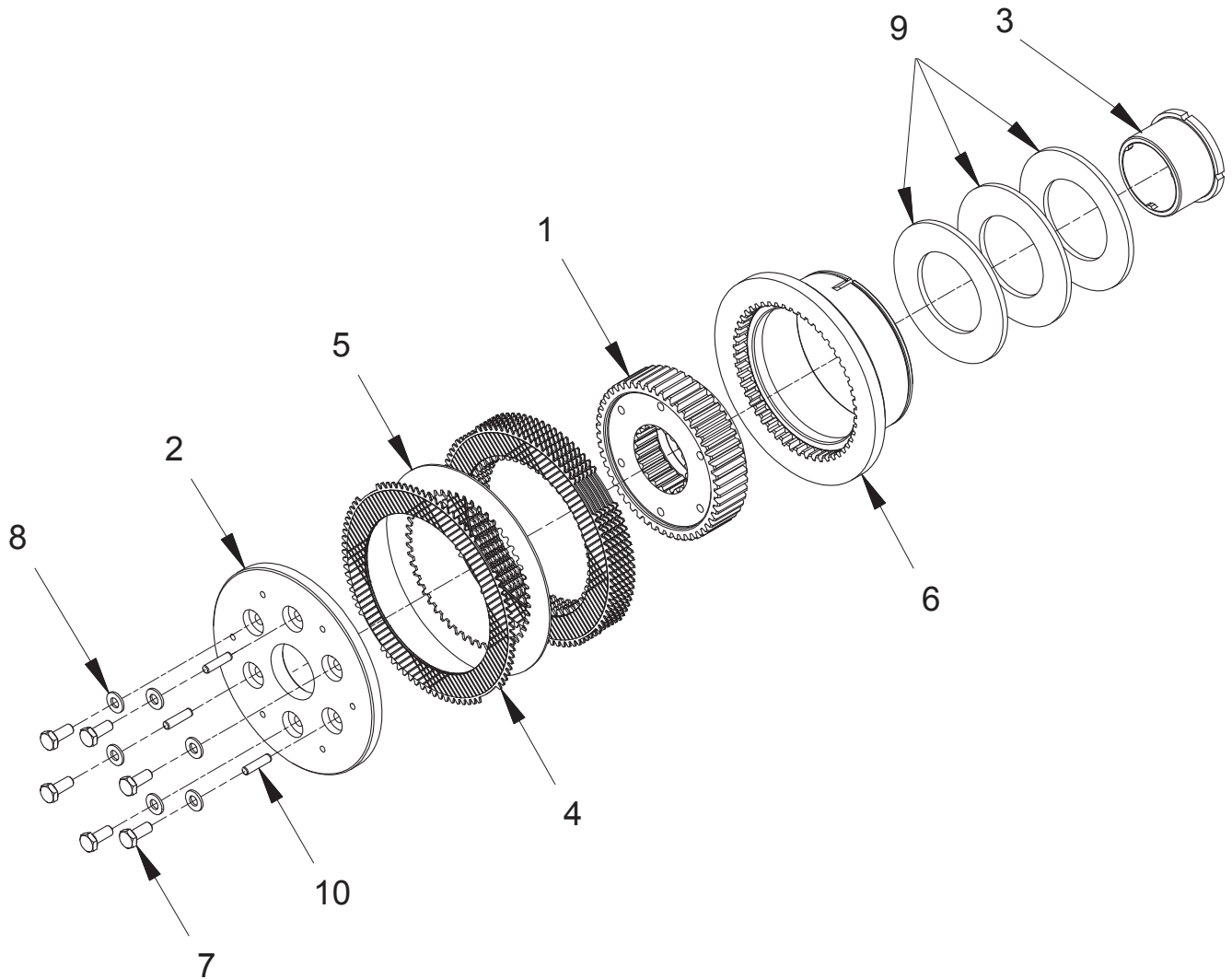
## Shaft Assembly BRAKE-OFF



Item	Part No.	Qty	Description	Item	Part No.	Qty	Description
	<b>2313026</b>		<b>Assy, BRAKE-OFF Shaft</b>				
1	2311855	1	. Housing, Clutch	15	2311684	1	. Ring, Snap
2	2311856	1	. Shaft, Clutch	16	137153W	1	. Cup, Roller Bearing
3	231439	1	. Fitting	17	137155W	1	. Cone, Roller Bearing
4	2312039	1	. Piston, Clutch	18	2311869	1	. Shim .062
5	2311683	1	. Ring, Snap	19	230407W	1	. Bearing
6	2312442	1	. Ring, Thrust	20	2311687	1	. Shim .062
7	2311655	1	. Brg, Thrust Needle Roller	21	*b 2312977	1	. Gear, Spider
8	86585W	2	. O-Ring	21	*c 2311905	1	. Gear, Spider
9	87287W	1	. O-Ring				
10	2311880	1	. Ring, Seal				
11	*a 2311903	1	. Assy, Clutch	*a	See page 23 for details		
12	239147W	1	. Pin	*b	Gear ratios 2 & 5		
13	2303992W	1	. Spring	*c	Gear ratios 1 & 6		
14	R13811617	1	. Capscrew				



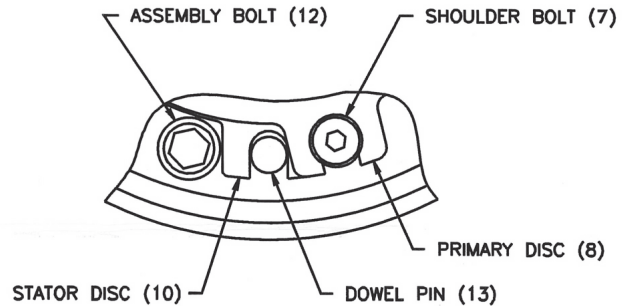
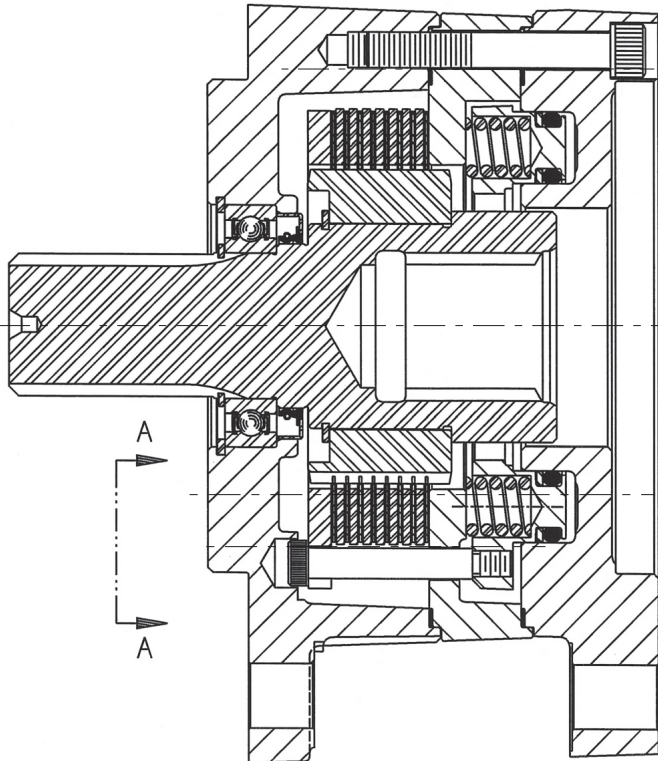
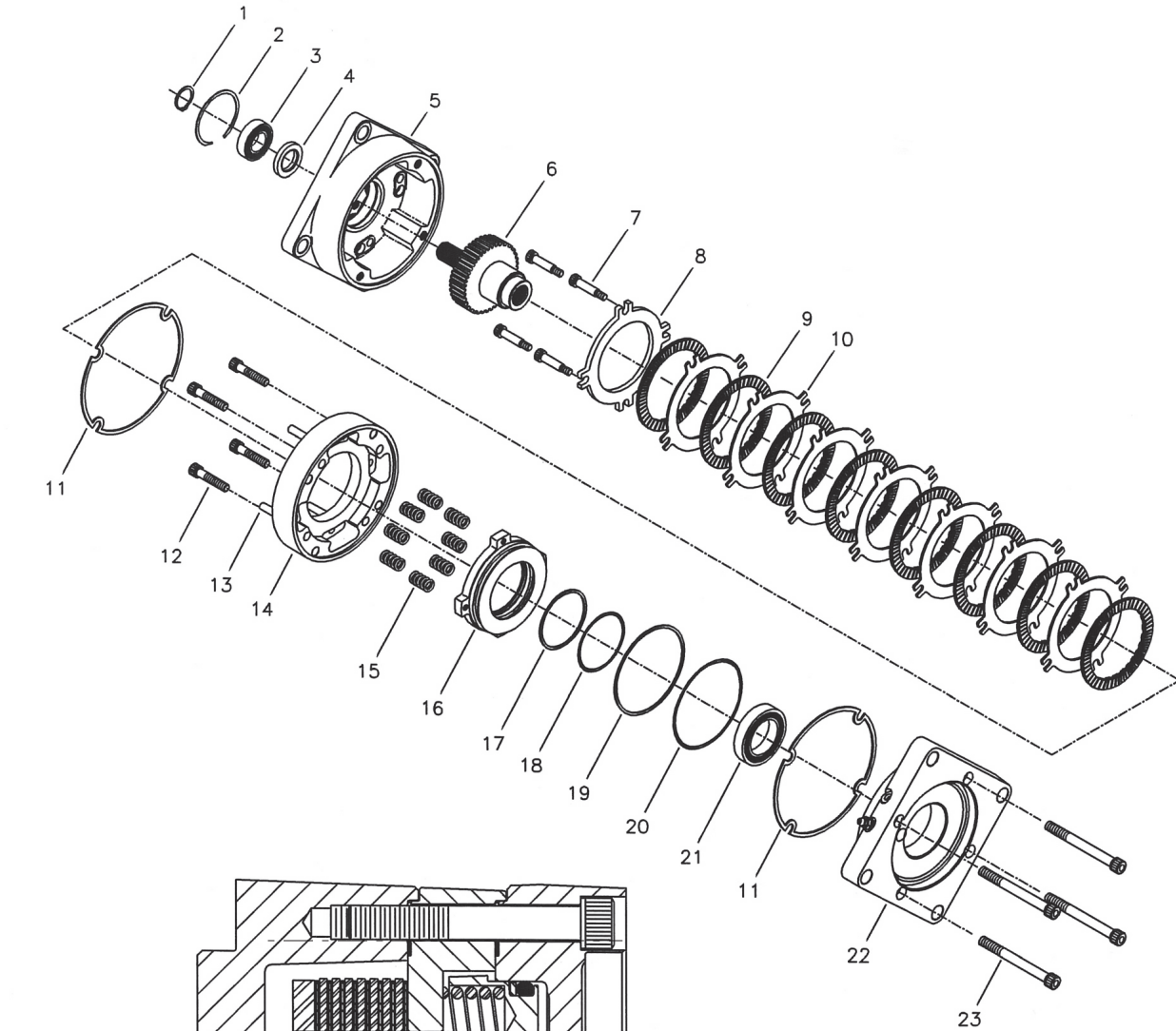
# Clutch Assembly



Item	Part No.	Qty	Description	Item	Part No.	Qty	Description
	<b>2311903</b>		<b>Assembly, Clutch</b>	6	2311906	1	. Plate, Pressure
1	2311904	1	. Hub, Clutch	7	296420W	6	. Washer
2	2311907	1	. Plate, Clutch	8	293628W	6	. Capscrew
3	2312029	1	. Retainer, Spring	9	2311251	3	. Spring, Belleville
4	328715W	7	. Disc, Friction	10	222713W	3	. Pin
5	261542W	6	. Plate, Separator				

**Dry Disc Brake**

Page 1 of 2



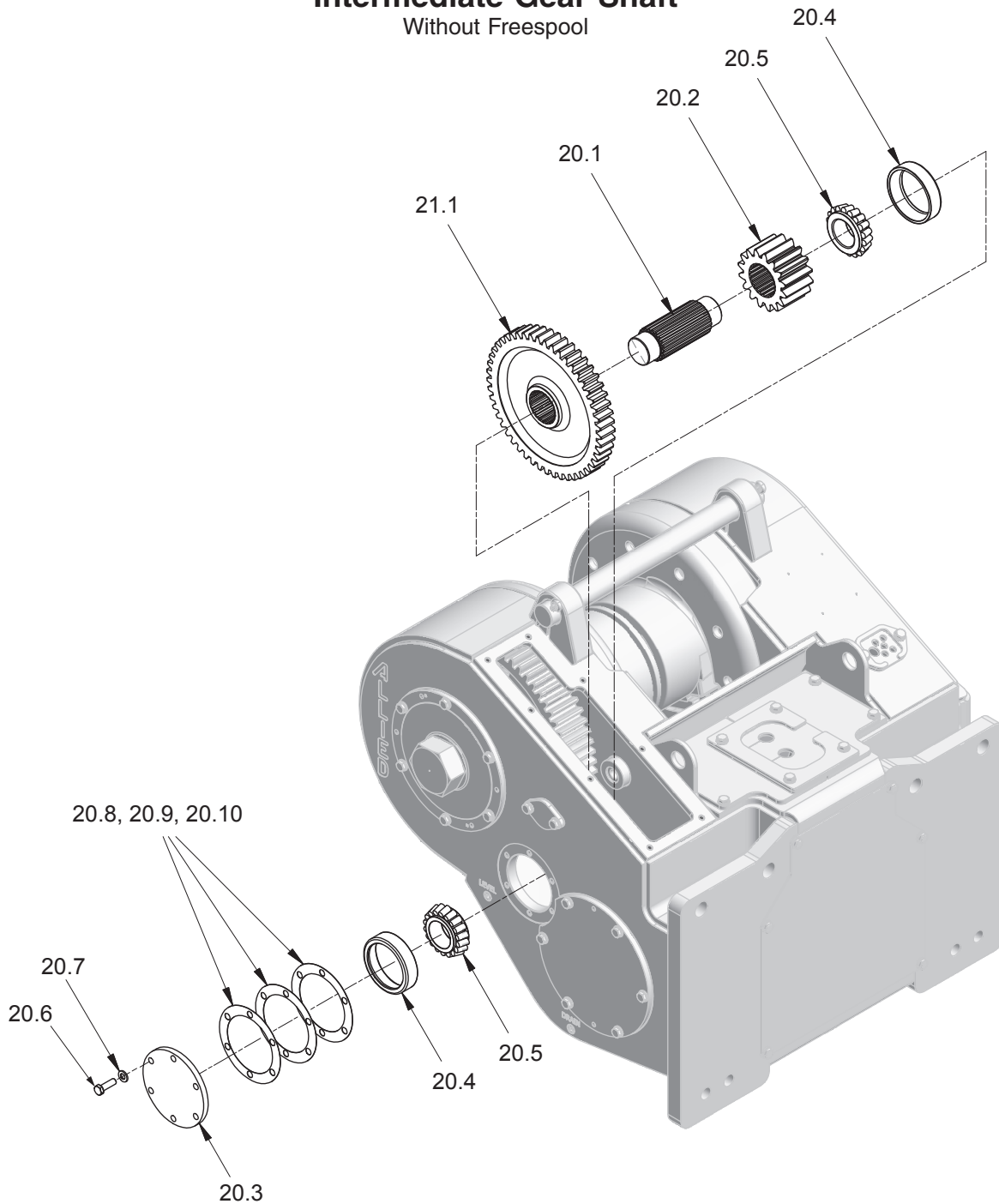
## Dry Disc Brake

Page 2 of 2

Item	Part No.	Qty	Description	Item	Part No.	Qty	Description
	<b>2312155</b>		<b>Brake, D Mount Dry Disc</b>				
1	NSS	1	. Retaining Ring	21	*b NSS	1	. Bearing
2	NSS	1	. Retaining Ring	22	NSS	1	. Pressure Plate
3	*b NSS	1	. Bearing	23	NSS	4	. Capscrew
4	*a,*b NSS	1	. Oil Seal				
5	NSS	1	. Cover Plate		*a	Included in O-Ring Repair Kit 2312302	
6	NSS	1	. Spline Shaft Assembly			O-Ring Repair Kit 2312302 is included in	
7	NSS	4	. Bolt			Motor, Reducer & Brake Assembly Rebuild Kit	
8	*d NSS	1	. Primary Disc			2314659	
9	*d NSS	8	. Rotor Disc		*b	Included in Bearing Repair Kit 2312303	
10	*d NSS	7	. Stator Disc			Bearing Repair Kit 2312303 is included in	
11	*a,*b,*c,*d NSS	2	. Case Gasket			Intermediate/Drum Shaft & Brake Assembly	
12	NSS	4	. Capscrew			Rebuild Kit 2314660	
13	NSS	4	. Dowel Pins		*c	Included in Spring Repair Kit 250850	
14	NSS	1	. Spring Plate			Spring Repair Kit 250850 is included in	
15	*c NSS	10	. Spring, Red			Intermediate/Drum Shaft & Brake Assembly	
16	NSS	1	. Piston			Rebuild Kit 2314660	
17	*a NSS	1	. Backup Ring		*d	Included in Lining Repair Kit 250847	
18	*a NSS	1	. O-Ring			Lining Repair Kit 250847 is Included in	
19	*a NSS	1	. Backup Ring			Intermediate/Drum Shaft & Brake Assembly	
20	*a NSS	1	. O-Ring			Rebuild Kit 2314660	
					NSS	Not Sold Separately	

### Intermediate Gear Shaft

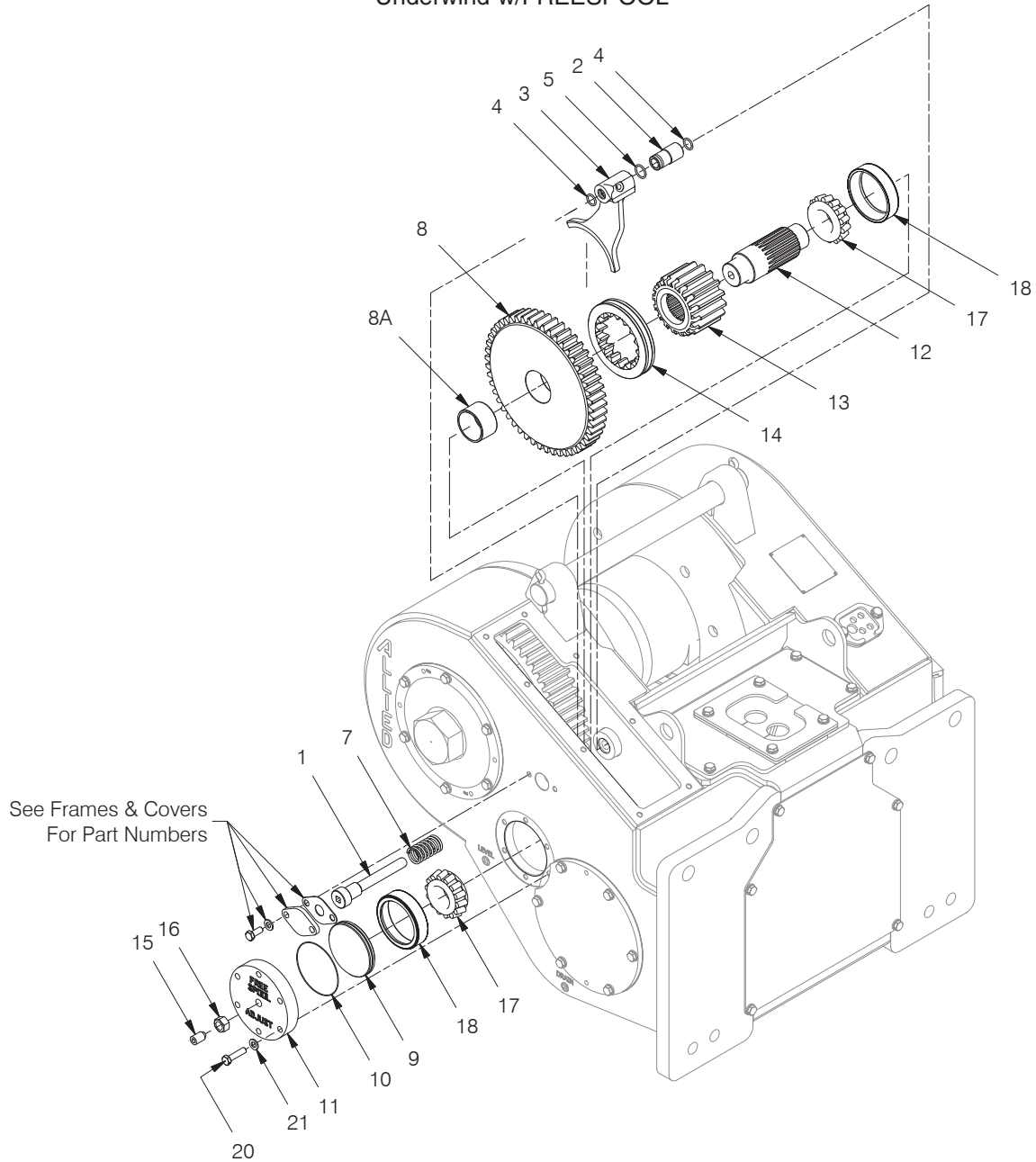
Without Freespool



Item	Part No.	Qty	Description	Item	Part No.	Qty	Description
20.1	95972W	1	Shaft	20.10	149543W	AR	Shim .020
20.2	95973W	1	Gear	21.1	*b 96024W	1	Gear
20.3	280262W	1	Retainer, Bearing	21.1	*c 2314411	1	Gear
20.4	*a 30059W	2	Cup, Roller Bearing				
20.5	*a 30080W	2	Cone, Roller Bearing				
20.6	2312487	6	Capscrew				
20.7	296422W	6	Washer				
20.8	149541W	AR	Shim .005				
20.9	149542W	AR	Shim .007				
				*a	Included in Intermediate/Drum Shaft & Brake Assembly Rebuild Kit 2314660		
				*b	Gear ratios 1 & 6		
				*c	Gear ratios 2 & 5		
				AR	As Required. Refer to Service Manual 599040W for more information.		

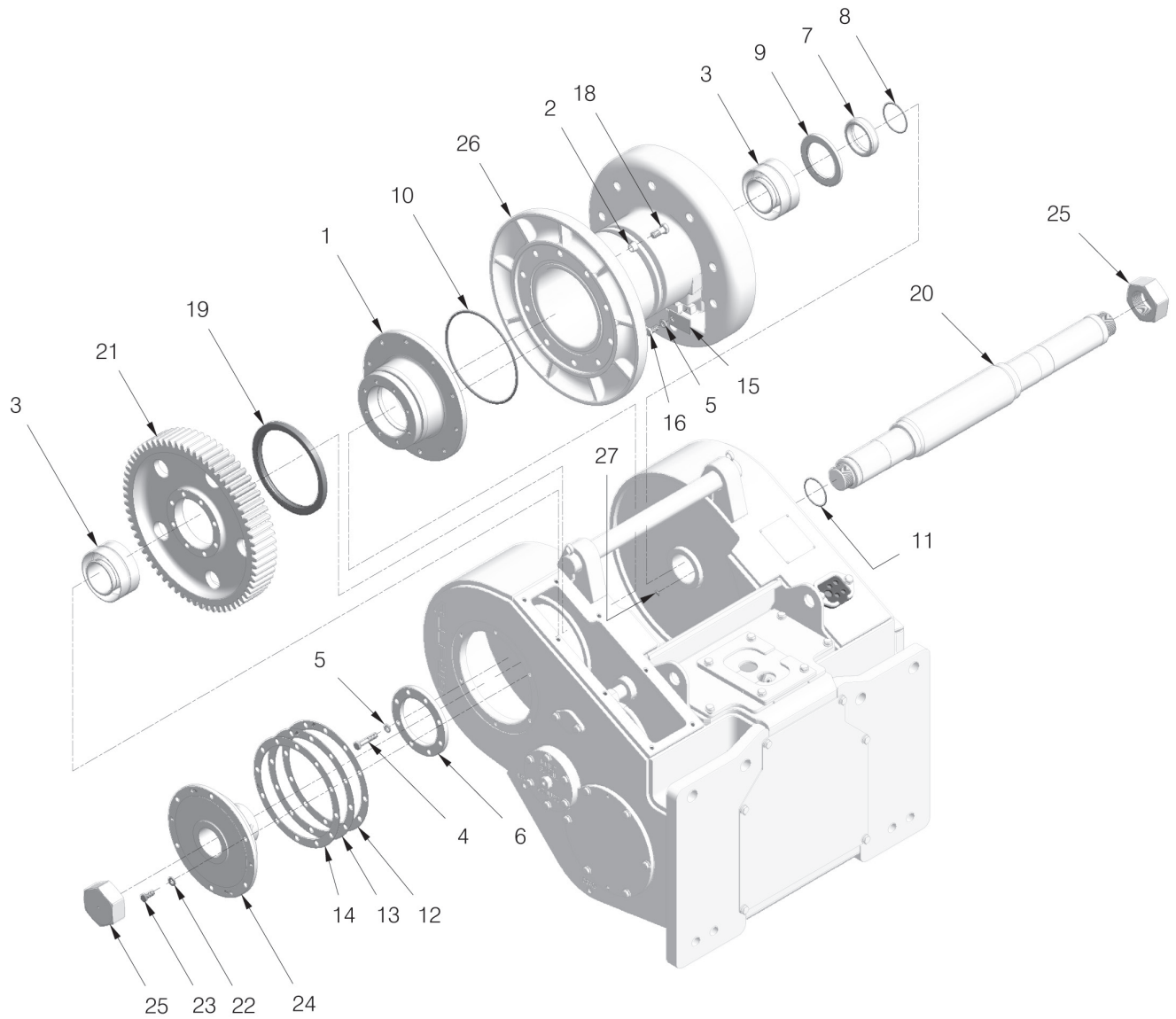
# Intermediate Gear Shaft

Underwind w/FREESPOOL



Item	Part No.	Qty	Description	Item	Part No.	Qty	Description
1	*a 2311894	1	Shaft, Freespool	14	2313813	1	. Clutch - Dental, Underwind
2	2305097W	1	Piston, Freespool	15	2304803W	1	Screw
3	2305099W	1	Shifter Fork, Freespool	16	221717W	1	Nut, Hex
4	*b 15862W	2	O-Ring	17	*b 2302311W	2	Cone, Bearing
5	*b 212380	1	O-Ring	18	*b 30059W	2	Cup, Bearing
7	2305096W	1	Spring	20	2312488	6	Capscrew
8	*c 283434W	1	Assy, Intermediate Gear	21	296422W	6	Washer, Hard
8	*d 2303036	1	Assy, Intermediate Gear				
8A	283432W	1	. Bushing		*a		Apply Threadlock 318702W to threads
9	2302624W	1	Piston, Freespool Adjust		*b		Included in Intermediate/Drum Shaft & Brake Assembly Rebuild Kit 2314660
10	*b 159940W	1	O-Ring		*c		Gear ratios 1 & 6
11	2302625W	1	Housing, Freespool Adjust		*d		Gear ratios 2 & 5
12	2305956W	1	Shaft, Intermediate				
13	2312280	1	Gear, Pinion				

# Drum Shaft



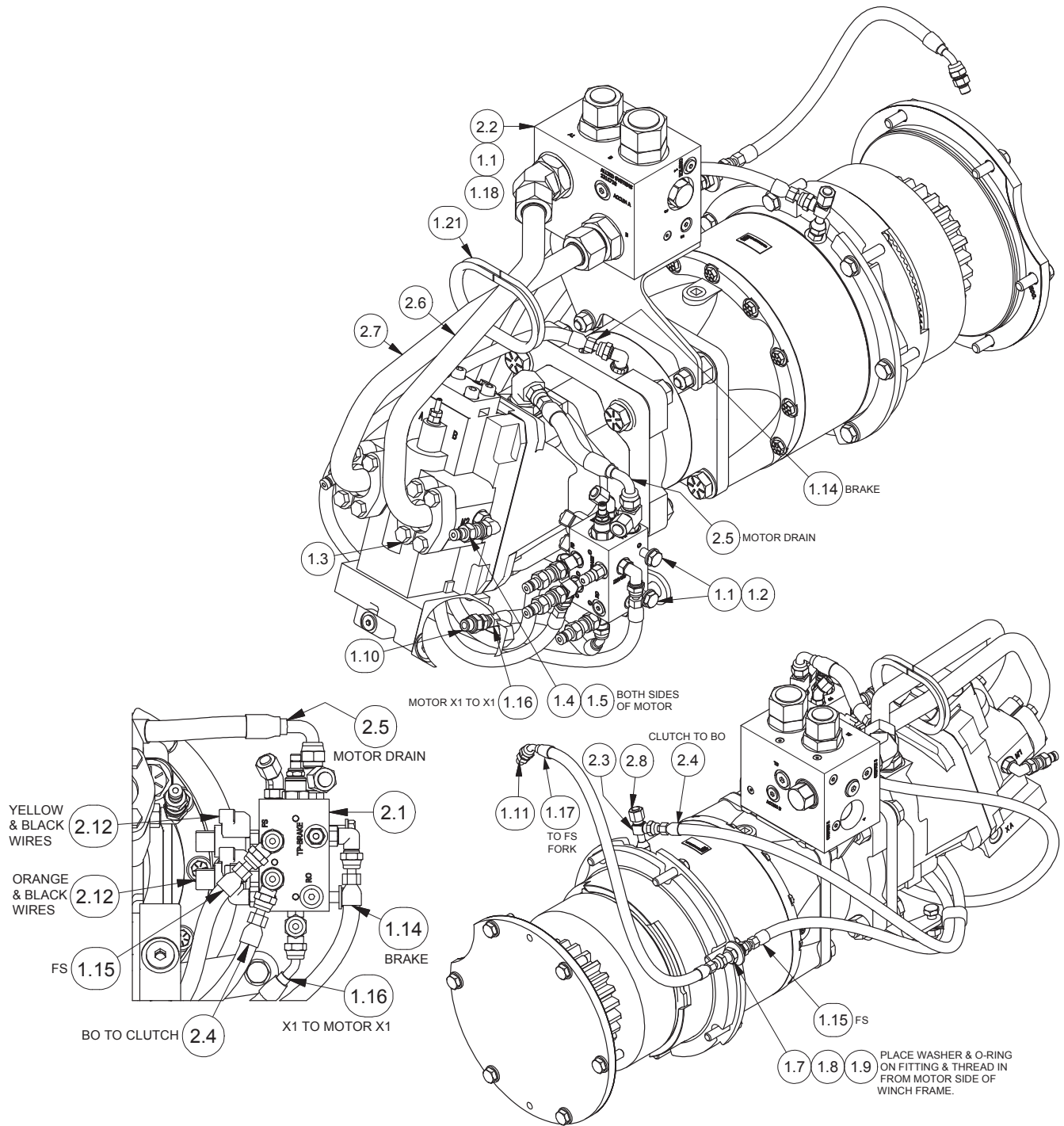
Item	Part No.	Qty	Description	Item	Part No.	Qty	Description
1	141674W	1	Adapter	17	221771W	8	Hard Washer
2	53559W	10	Thimble, Tapered	18	2310891	10	Capscrew
3	*b 2310093	2	Bearing, Roller	19	141671W	1	Seal, Oil
4	221577W	8	Capscrew	20	2312064	1	Shaft, Drum
5	*b 15158W	9	Washer	21	95977W	1	Gear, Drum
6	95978W	1	Retainer	22	296422W	6	Washer
7	*a 172808W	1	Spacer	23	2312486	6	Capscrew
8	15881W	1	O-Ring	24	172810W	1	Retainer
9	*b 44547W	1	Seal, Oil	25	*a 2312099	2	Nut
10	*b 133927W	1	Ring, Piston Seal	26	2313730	1	Drum, H6H
11	*b 90263W	1	O-Ring	27	Y433070.45	1	Fitting
12	175648W	AR	Shim, .020				
13	175647W	AR	Shim, .007				
14	175646W	AR	Shim, .005				
15	2301783W	1	Keeper, Ferrule	*a	Requires Sealant 358674W		
16	16829W	1	Capscrew	*b	Included in Intermediate/Drum Shaft & Brake Assembly Rebuild Kit 2314660		

**Section 3**  
**Hydraulic/Electrical Components**

# Internal Hydraulic Group

Tigercat 635D (H6HT\*\*Y44)

Page 1 of 2

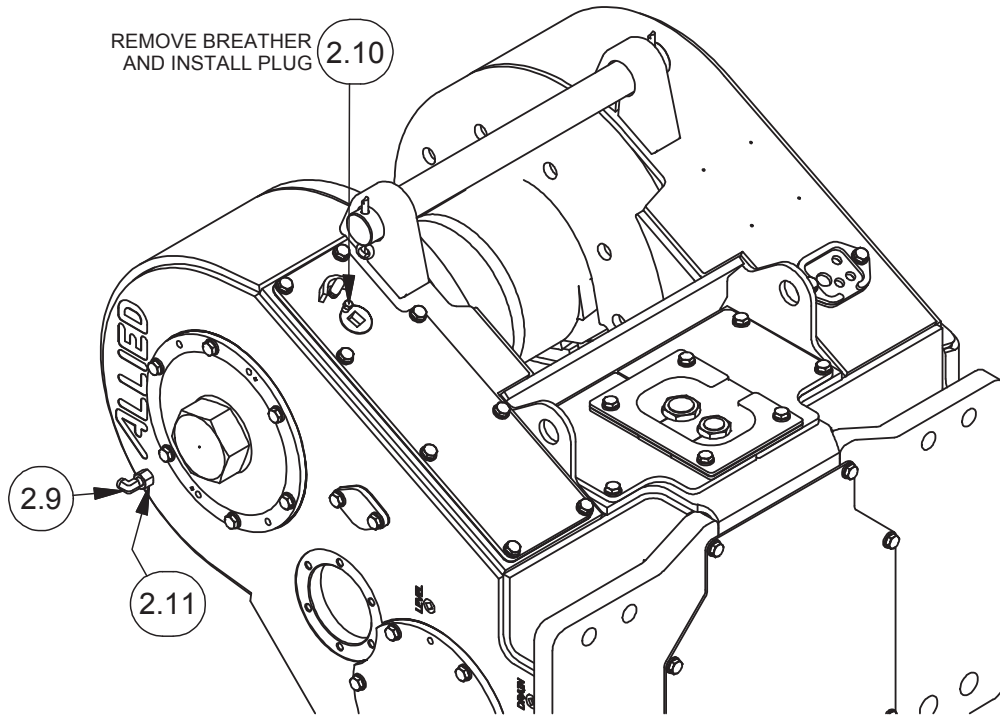




## Internal Hydraulic Group

Tigercat 635D (H6HT\*\*Y44)

Page 2 of 2



Item	Part No.	Qty	Description	Item	Part No.	Qty	Description
1.1	Y09C-M1025	4	Capscrew	1.21	24257	1	Trim, Edge
1.2	296420W	2	Washer	2.1	*b 2313735	1	Assy, Control Manifold
1.3	229448	2	Kit, Split Flange	2.2	*c 2313737		Assy, Counterbalance Relief Manifold
1.4	2307625W	2	Coupler, Quick Male	2.3	236855	1	Fitting
1.5	R833253	2	Fitting	2.4	*a 2312351	1	Assy, Hose
1.7	R834100	1	Fitting	2.5	*a 2313738	1	Assy, Hose
1.8	15178W	1	Washer	2.6	2313720	1	Assy, Tube - Motor B
1.9	211564	1	O-Ring	2.7	2313719	1	Assy, Tube - Motor A
1.10	R833103	1	Fitting	2.8	232984	1	Fitting
1.11	231439	1	Fitting	2.9	2313742	1	Fitting
1.14	*a 2312353	1	Assy, Hose	2.10	209511	1	Fitting
1.15	*a 2312350	1	Assy, Hose	2.11	209502	1	Fitting
1.16	*a 2312878	1	Assy, Hose	2.12	2313812	1	Harness, Winch Wire
1.17	*a 2312212	1	Assy, Hose				
1.18	15176W	2	Washer				

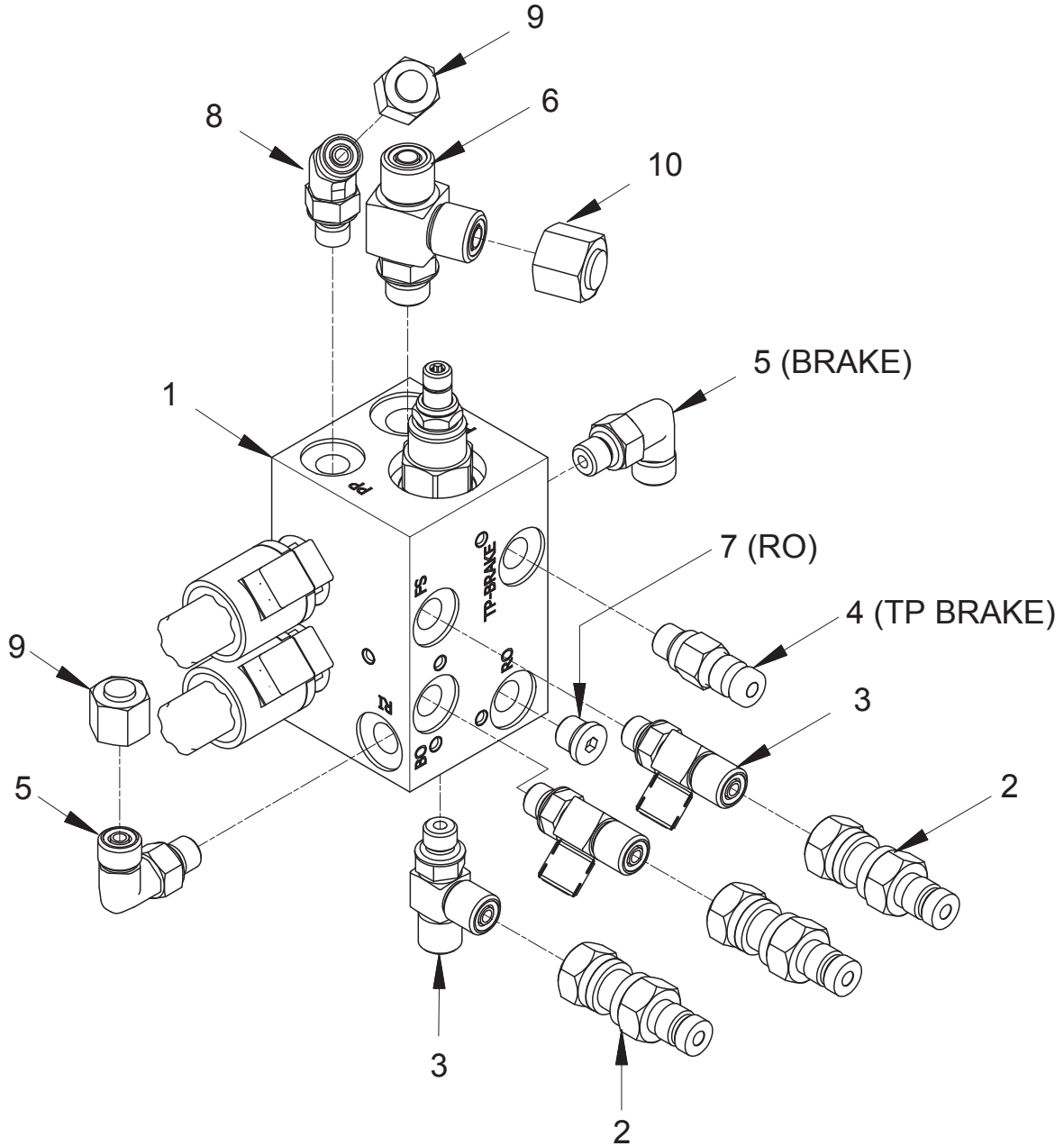
\*a Included in Hose Kit 2314776

\*b See page 32 for details

\*c See page 34 for details

### Control Manifold Assy

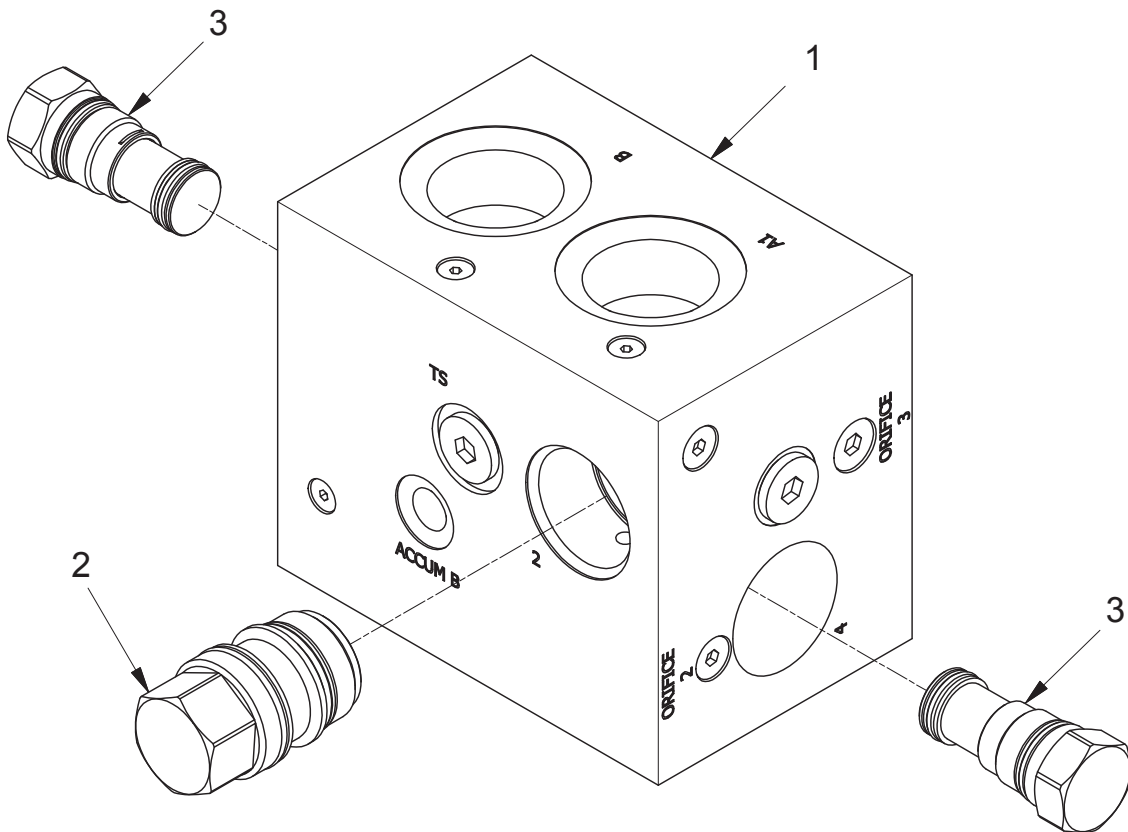
Tigercat 635D ( H6HT\*\*Y44)



Item	Part No.	Qty	Description	Item	Part No.	Qty	Description
	<b>2313735</b>	<b>1</b>	<b>Assy, Control Manifold</b>				
1	*a 2311770	1	. Assy, Control Manifold	8	R833200	1	. Fitting
2	2307625W	3	. Coupler, Quick Male	9	232984	2	. Fitting
3	R833400	3	. Fitting	10	231822	1	. Fitting
4	R14040	1	. Coupler, Quick Male				
5	R833251	2	. Fitting				
6	231465	1	. Fitting	*a	See page 36 for details		
7	235387	1	. Fitting				

## Counterbalance Relief Manifold Assy

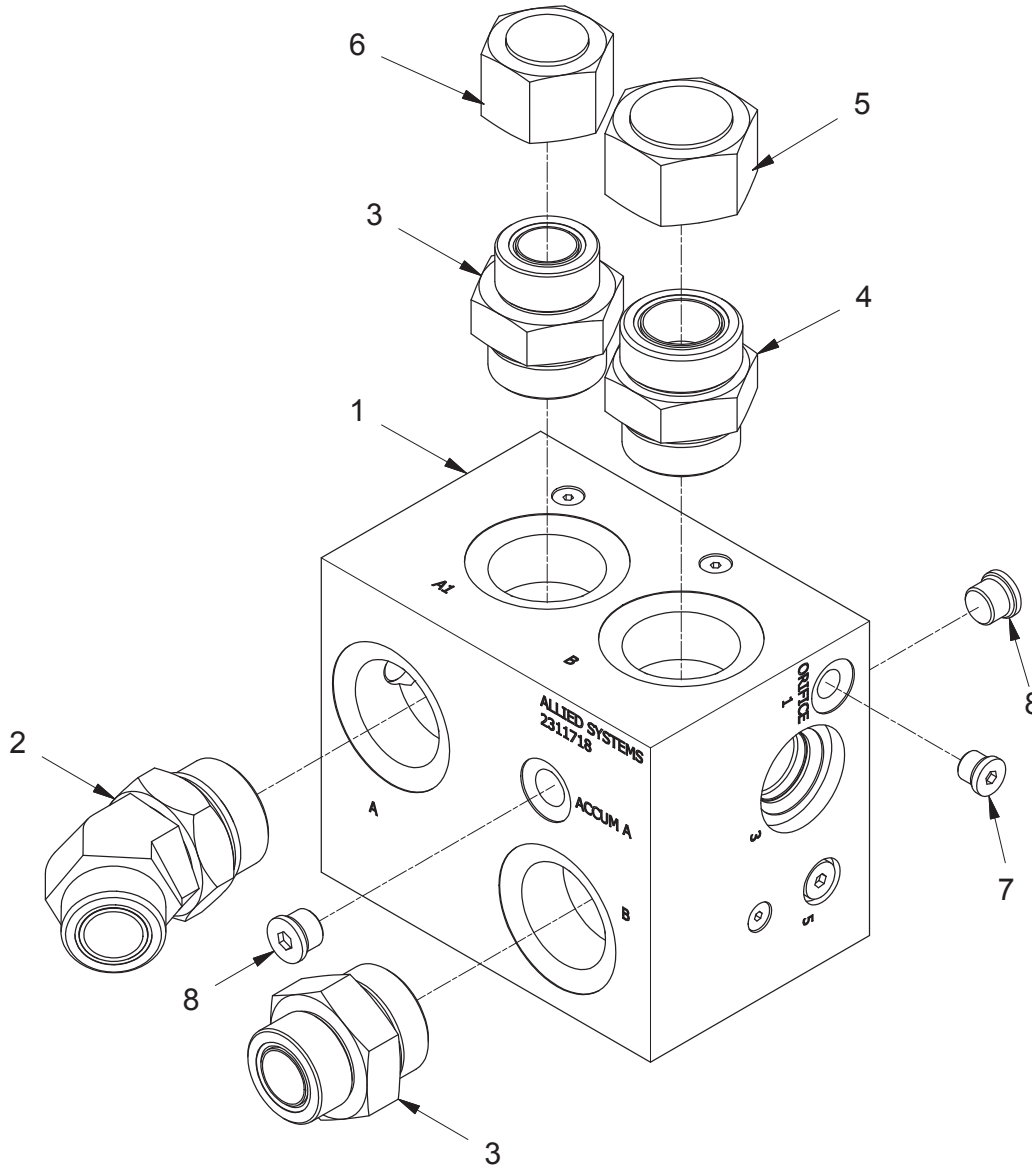
Tigercat 635D ( H6HT\*\*Y44)



Item	Part No.	Qty	Description	Item	Part No.	Qty	Description
	<b>2313736</b>	<b>1</b>	<b>Assy, Counterbalance Relief Manifold</b>				
1	*a 2311718	1	. Assy, Counterbalance Relief Manifold	3	256462	2	. Plug, Cavity; T-3A
2	258473	1	. Plug, Cavity; T-17A		251170	1	.. Kit, Seal
	243815	1	.. Kit, Seal	*a	See page 37 for details		

### Counterbalance Relief Manifold Assy

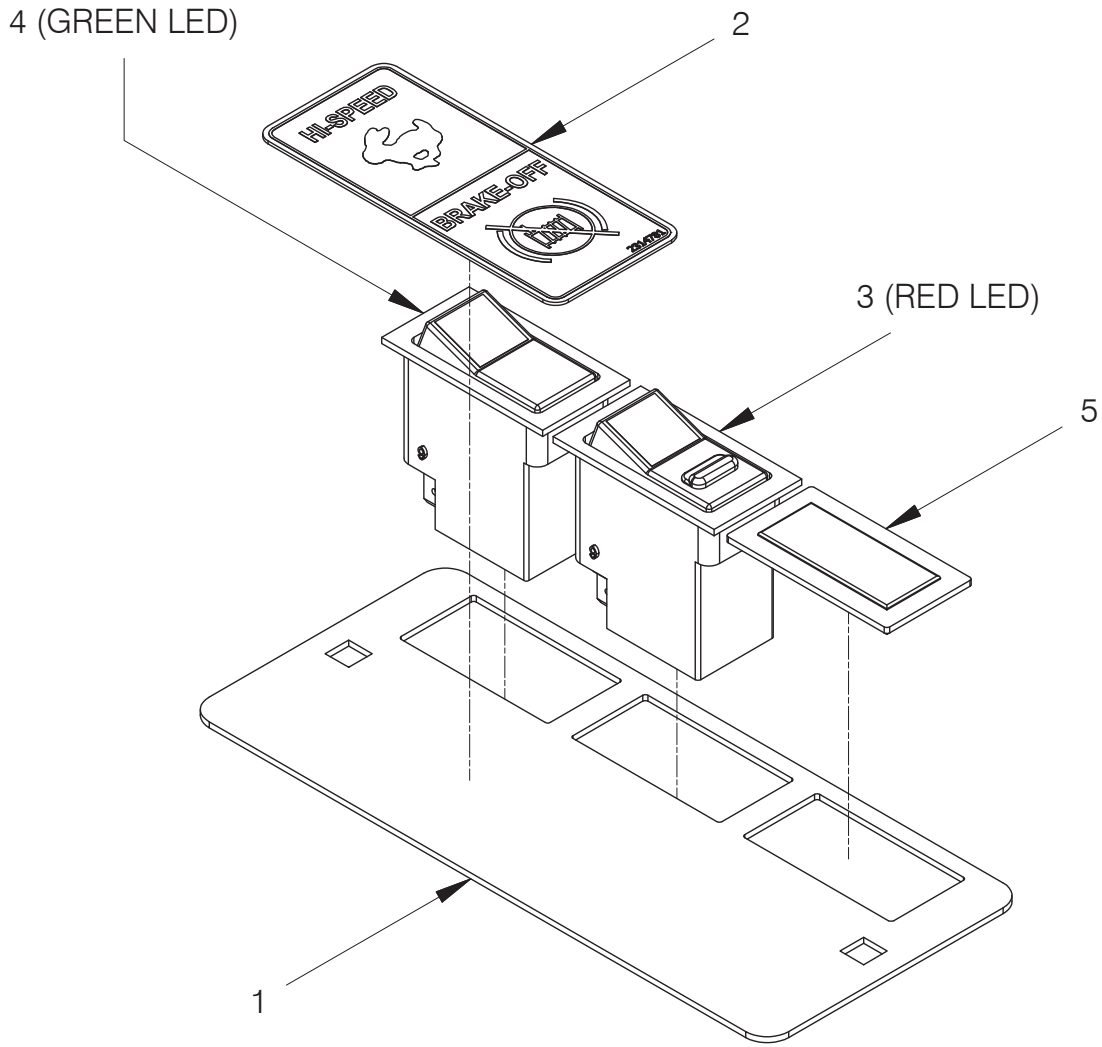
Tigercat 635D ( H6HT\*\*Y44)



Item	Part No.	Qty	Description	Item	Part No.	Qty	Description
	<b>2313737</b>	<b>1</b>	<b>Assy, Counterbalance Relief Manifold</b>				
1	*a 2313736	1	. Assy, Counterbalance Relief Manifold	5	R834257	1	. Fitting
2	R833218	1	. Fitting	6	231820	1	. Fitting
3	R833133	2	. Fitting	7	235387	1	. Fitting
4	232359	1	. Fitting	8	229383	2	. Fitting

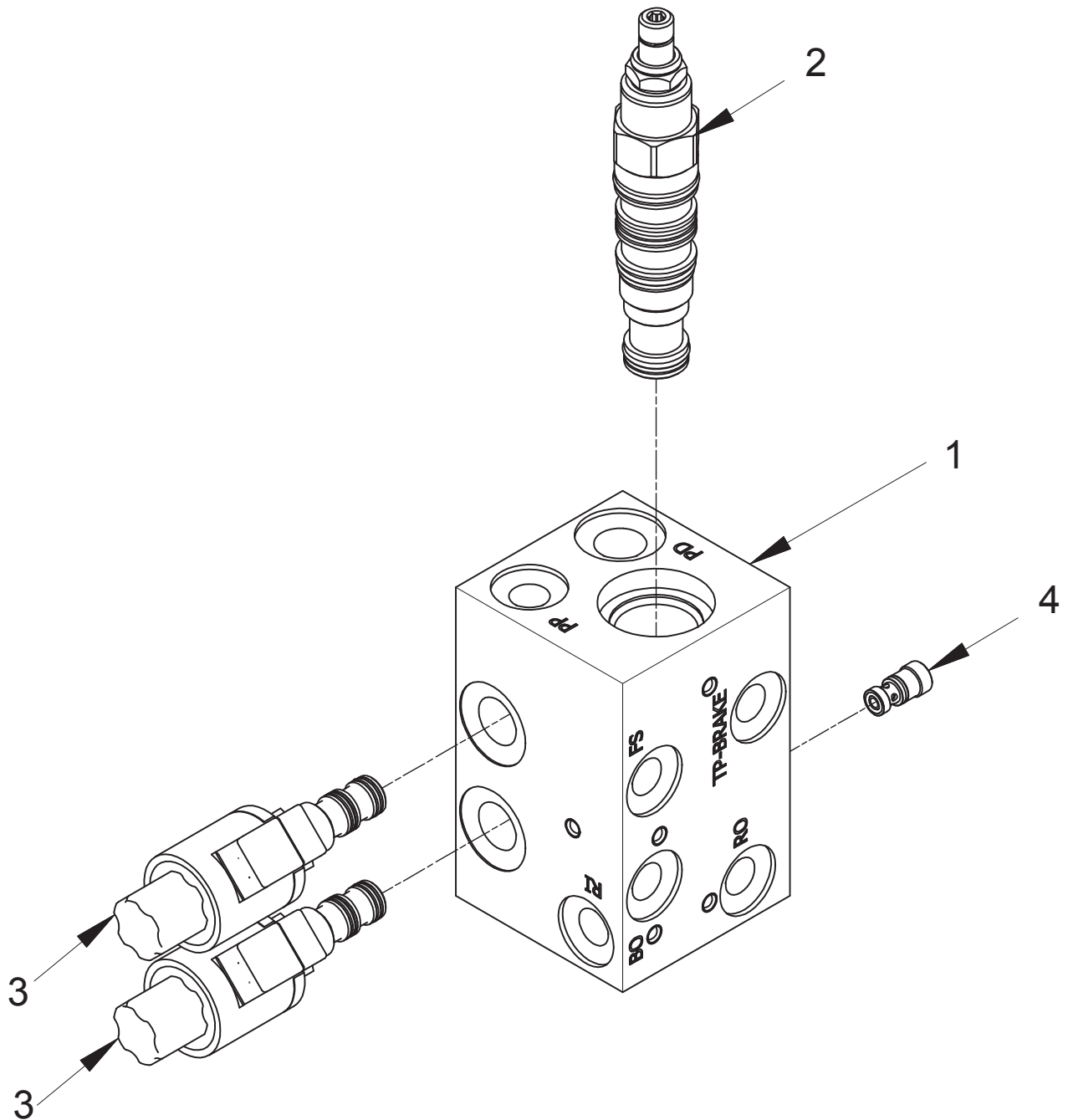
\*a See page 33 for details

**Switch Panel Assy**  
 FREESPOOL, BRAKE-OFF & HI-SPEED



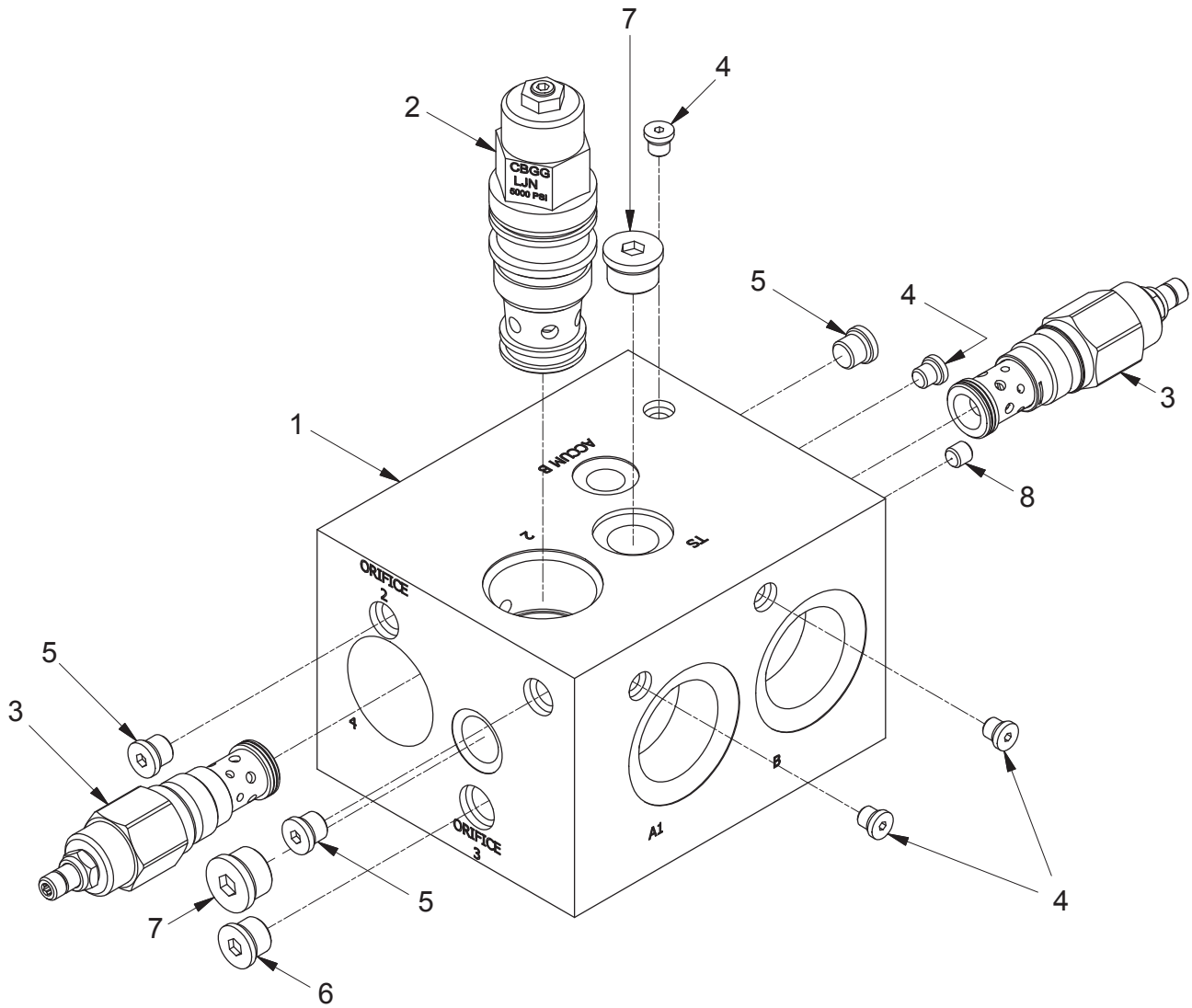
Item	Part No.	Qty	Description	Item	Part No.	Qty	Description
	<b>2314787</b>	<b>1</b>	<b>Assy, Switch Panel; BRAKE-OFF &amp; HI-SPEED</b>				
1	2313136	1	. Plate, Switch Mounting	4	2311072	1	. Assy, Switch; 12/24V, Green LED
2	2314781	1	. Decal, Switch Panel; Brake-Off & Hi-Speed	5	234509	1	. Cover, Bland
3	2310504	1	. Assy, Switch; 24V, Red LED				

**Control Manifold Assy**



Item	Part No.	Qty	Description	Item	Part No.	Qty	Description
	<b>2311770</b>	<b>1</b>	<b>Assy, Control Manifold</b>				
1	2311771	1	. Body, Control Manifold	4	2312074	1	. Valve, Shuttle
2	2311592	1	. Valve, Directional		2312112	1	.. Seals, O-Ring
	252566	1	.. Kit, Seal				
3	2312073	2	. Valve, Cartridge				
	2314106	1	.. Base, Valve Cartridge				
	2313984	1	.. Coil				
	2312111	1	.. Kit, Seal				

Counterbalance Relief Manifold Assy

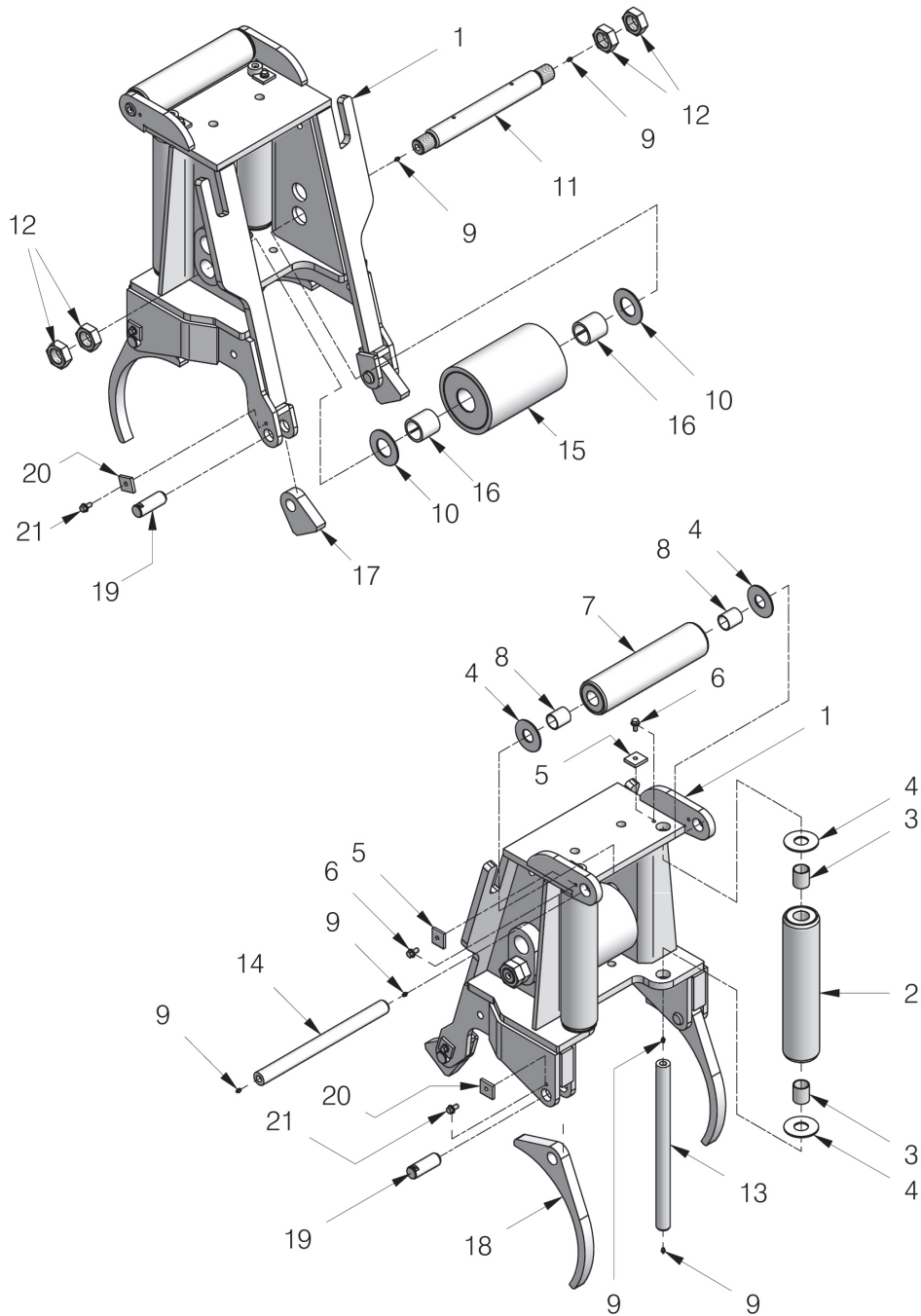


Item	Part No.	Qty	Description	Item	Part No.	Qty	Description
	<b>2311718</b>	<b>1</b>	<b>Assy, Counterbalance Relief Manifold</b>				
1	2311719	1	. Body, Manifold	5	235387	3	. Fitting
2	2312068	1	. Valve, Counter Balance	6	229383	1	. Fitting
	243815	1	. . Seal Kit (Not Shown)	7	229345	2	. Fitting
3	2307438W	2	. Valve, Relief	8	2310181	1	. Plug, Orifice
	259258	1	. . Kit, Seal				
4	242230	4	. Fitting				

**Section 4**  
**Optional Equipment**



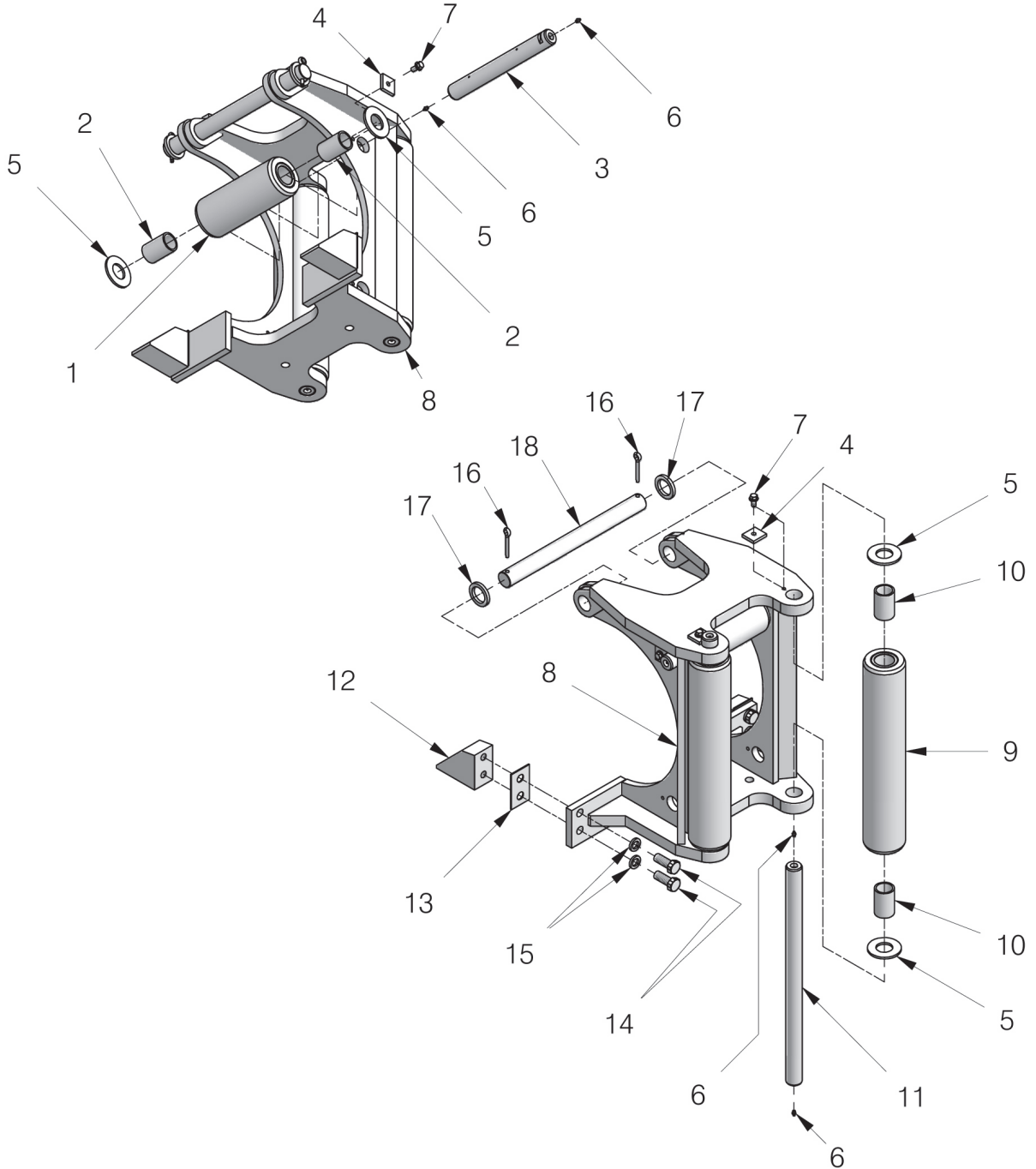
Arch



Item	Part No.	Qty	Description	Item	Part No.	Qty	Description
	<b>2301748W</b>	<b>1</b>	<b>Arch Assembly</b>				
1	2301749W	1	. Arch	12	221336W	4	. Nut
2	2301907W	2	. Roller	13	2301920W	2	. Shaft
3	35135W	2	. . Bushing	14	2301919W	1	. Shaft
4	331767W	6	. Washer	15	2301925W	1	. Roller
5	2301706W	3	. Keeper	16	2817W	2	. . Bushing
6	398817W	3	. Flange, Screw	17	2310726	2	Ear, Arch
7	2301910W	1	. Roller	18	2312168	2	Lug, Wrapped
8	35135W	2	. . Bushing	19	2301924W	4	Pin
9	16001W	8	. Fitting, Grease	20	2301706W	4	Keeper
10	2821W	2	. Washer	21	398817W	4	Flange Screw
11	2302120W	1	. Shaft				

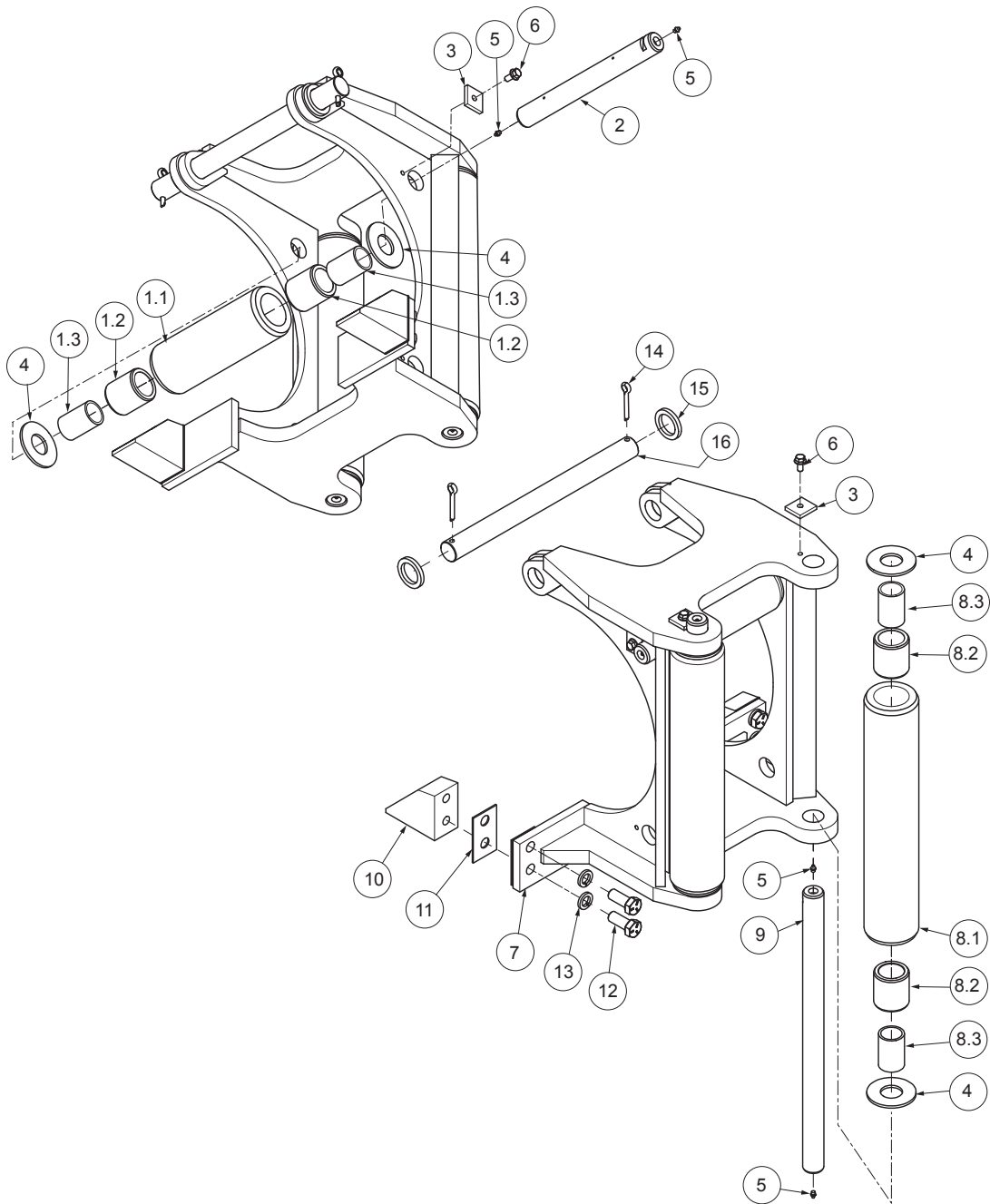
### Fairlead

3-Roller, Last Used S/N1609



Item	Part No.	Qty	Description	Item	Part No.	Qty	Description
<b>2301731W Fairlead Assy, 3-Roller</b>							
1	2301727W	1	. Roller	10	2570W	4	.. Bushing
2	2570W	2	. . Bushing	11	2301721W	2	. Shaft
3	2301722W	1	. Shaft	12	226374W	2	Bracket
4	2301706W	3	. Keeper	13	93878W	AR	Shim
5	33394W	6	. Washer	14	18669W	4	Capscrew
6	16001W	6	. Fitting, Grease	15	15166W	4	Washer
7	398817W	3	. Screw, Flange	16	15272W	2	Pin, Cotter
8	2301718W	1	. Fairlead	17	2312437	2	Spacer
9	2301726W	2	. Roller	18	2312580	1	Bar, Tie

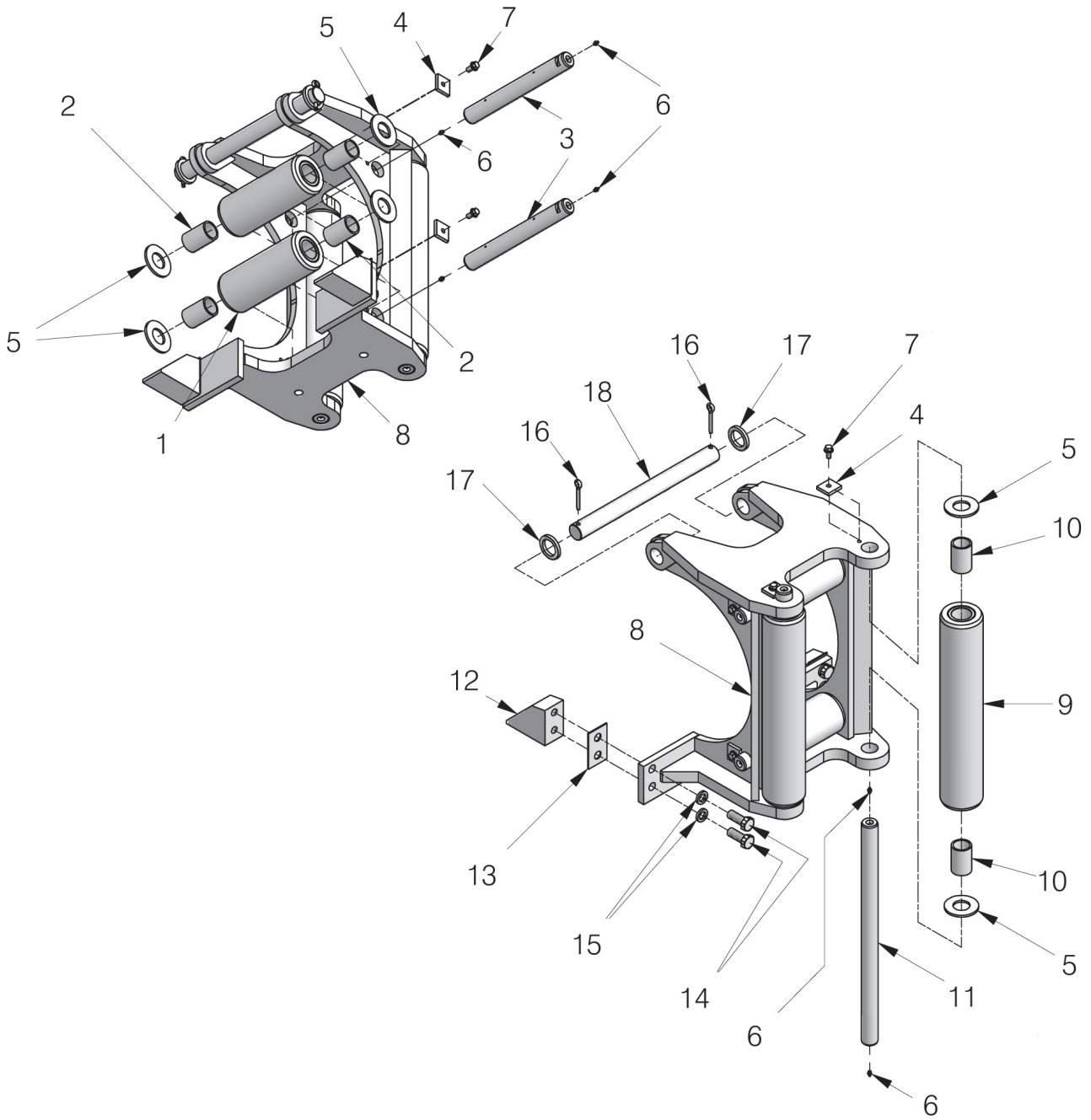
**Fairlead**  
3-Roller, First Used S/N1610



Item	Part No.	Qty	Description	Item	Part No.	Qty	Description
	<b>2315548</b>		<b>Fairlead Assembly, 3-Roller</b>				
1	2315545	1	Roller Assy	8.1	2301724W	1	. Tube
1.1	2315544	1	. Tube	8.2	2301961W	2	. Spacer
1.2	2301961W	2	. Spacer	8.3	2570W	2	. Bushing
1.3	2570W	2	. Bushing	9	2301721W	2	Shaft, Vertical
2	2315546	1	Shaft	10	226374W	2	Bracket - Fairlead
3	2301706W	3	Keeper	11	93878W	8	Shim
4	2314097	6	Washer	12	18668W	4	Capscrew
5	16001W	6	Fitting, Lube	13	15166W	4	Washer
6	398817W	3	Screw, Flange	14	15272W	2	Cotter Pin
7	2315555	1	Frame, Fairlead	15	173607W	2	Spacer
8	2301726W	2	Roller Assy	16	2312580	1	Rod - Tie

### Fairlead

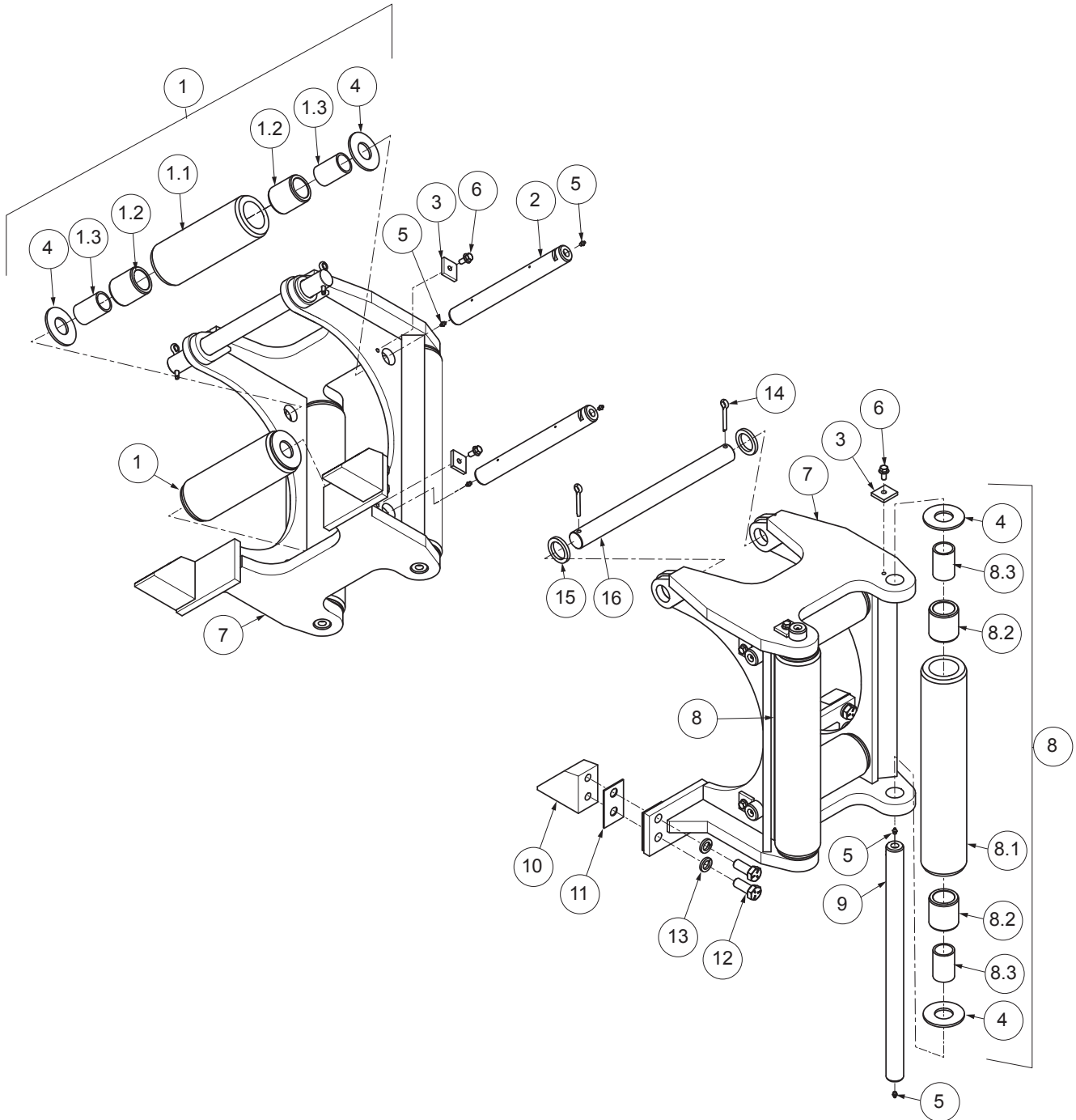
4-Roller, Last Used S/N1609



Item	Part No.	Qty	Description	Item	Part No.	Qty	Description
<b>2301732W Fairlead Assy, 4-Roller</b>							
1	2301727W	2	. Roller	10	2570W	4	. . Bushing
2	2570W	4	. . Bushing	11	2301721W	2	. Shaft
3	2301722W	2	. Shaft	12	226374W	2	Bracket
4	2301706W	4	. Keeper	13	93878W	AR	Shim
5	33394W	8	. Washer	14	18668W	4	Capscrew
6	16001W	8	. Fitting, Grease	15	15166W	4	Washer
7	398817W	4	. Screw, Flange	16	15272W	2	Pin, Cotter
8	2301718W	1	. Fairlead	17	2312437	2	Spacer
9	2301726W	2	. Roller	18	2312580	1	Bar, Tie

### Fairlead

4-Roller, Wide, First Used S/N1610



Item	Part No.	Qty	Description	Item	Part No.	Qty	Description
	<b>2315549</b>		<b>Fairlead Ass'y, 4-Roller</b>				
1	2315545	2	Assy, Roller	8.1	2315544	1	. Tube
1.1	2315544	1	. Tube	8.2	2301961W	2	. Spacer
1.2	2301961W	2	. Spacer	8.3	2570W	2	. Bushing
1.3	2570W	2	. Bushing	9	2301721W	2	Shaft, Vertical
2	2315546	2	Shaft	10	226374W	2	Bracket, Fairlead
3	2301706W	4	Keeper	11	93878W	8	Shim
4	2314097	8	Washer	12	18668W	4	Capscrew
5	16001W	8	Fitting, Lube	13	15166W	4	Washer
6	398817W	4	Screw, Flange	14	15272W	2	Cotter Pin
7	2315555	1	Frame, Fairlead	15	173607W	2	Spacer
8	2301726W	2	Assy, Roller	16	2312580	1	Bar, Tie

Wire Rope Assemblies

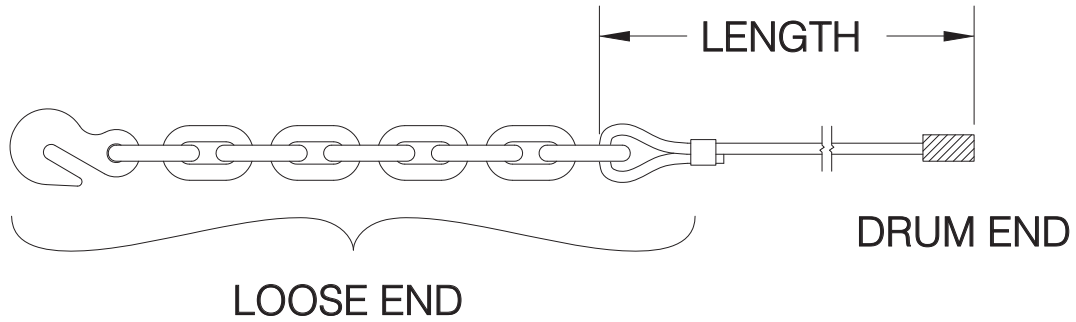


Figure A

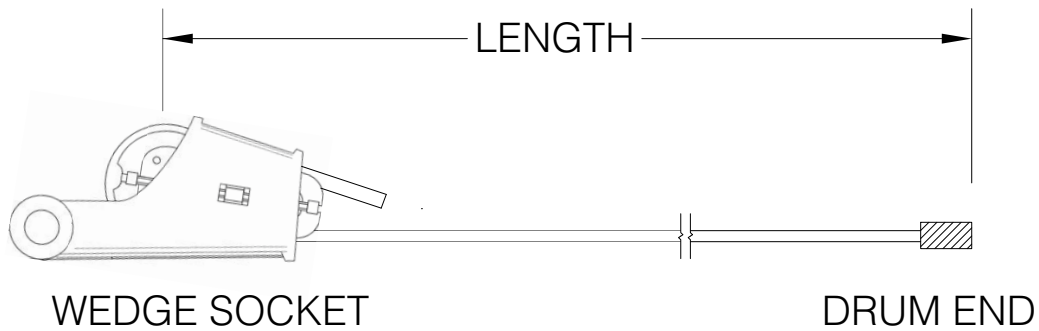


Figure B

Part No.	Wire Diameter	Length Ft (M)	Part No.	Wire Diameter	Length Ft (M)
WR6-275L	*a 3/4"	275 (84) *c	WR8-154L	*a 1"	154 (47) *c
WR6-413L	*a 3/4"	413 (126) *d	WR8-230L	*a 1"	230 (70) *d
YS6-275LWS	*b 3/4"	275 (84) *c	YS8-154LWS	*b 1"	154 (47) *c
YS6-413LWS	*b 3/4"	413 (126) *d	YS8-230LWS	*b 1"	230 (70) *d
WR7-198L	*a 7/8"	198 (60) *c			
WR7-297L	*a 7/8"	297 (91) *d			
YS7-198LWS	*b 7/8"	198 (60) *c			
YS7-297LWS	*b 7/8"	297 (91) *d			

\*a WR Series Wire Rope (Illustrated in Figure A)  
 \*b YS Series Wire Rope (Illustrated in Figure B)  
 \*c Length to fill drum to 2/3 capacity (recommended)  
 \*d Length to fill drum to full capacity

**Intentionally Blank**

**Section 5**  
**Service Kits**



## Recommended Winch Service Intervals and Kits

Following the service schedule recommended here to help keep skidder winch downtime to a minimum, optimize winch operation, and extend the life of your

investment. See Table 1 for recommended service intervals, and Table 2 for recommended service kits.

Hydraulic Winch Maintenance					
Recommended Winch Service Intervals					
Hours or **	Months **	Filter ***	Winch Gear Oil	Brake & Clutch	Major Overhaul
First 250	1	Change			
Every 500	3	Change			
Every 2,000	12		Change		
Every 5,000				*Inspect	
Every 10,000					*Evaluate
Lube rollers and check oil level and filter light every week.					
<p>* Evaluate = Service based on average winch use;            If used more than once a day, perform an overhaul.            If used less than once a day, remove covers and check to determine need.</p> <p>* Inspect = Disassemble and inspect for wear.</p> <p>** Service winch using the skidder's hour meter or the length of time the winch is mounted to the skidder, whichever occurs first.</p> <p>*** Follow skidder schedule if using skidder filter.</p>					
Recommended Gear Compartment Oil					
Chevron	Drive Train Fluids HD	<b>Consult service/operating manual for low temperature oils and other details. Use of non-recommended oil may void the warranty.</b>			
ExxonMobil	Mobiltrans HD Series				

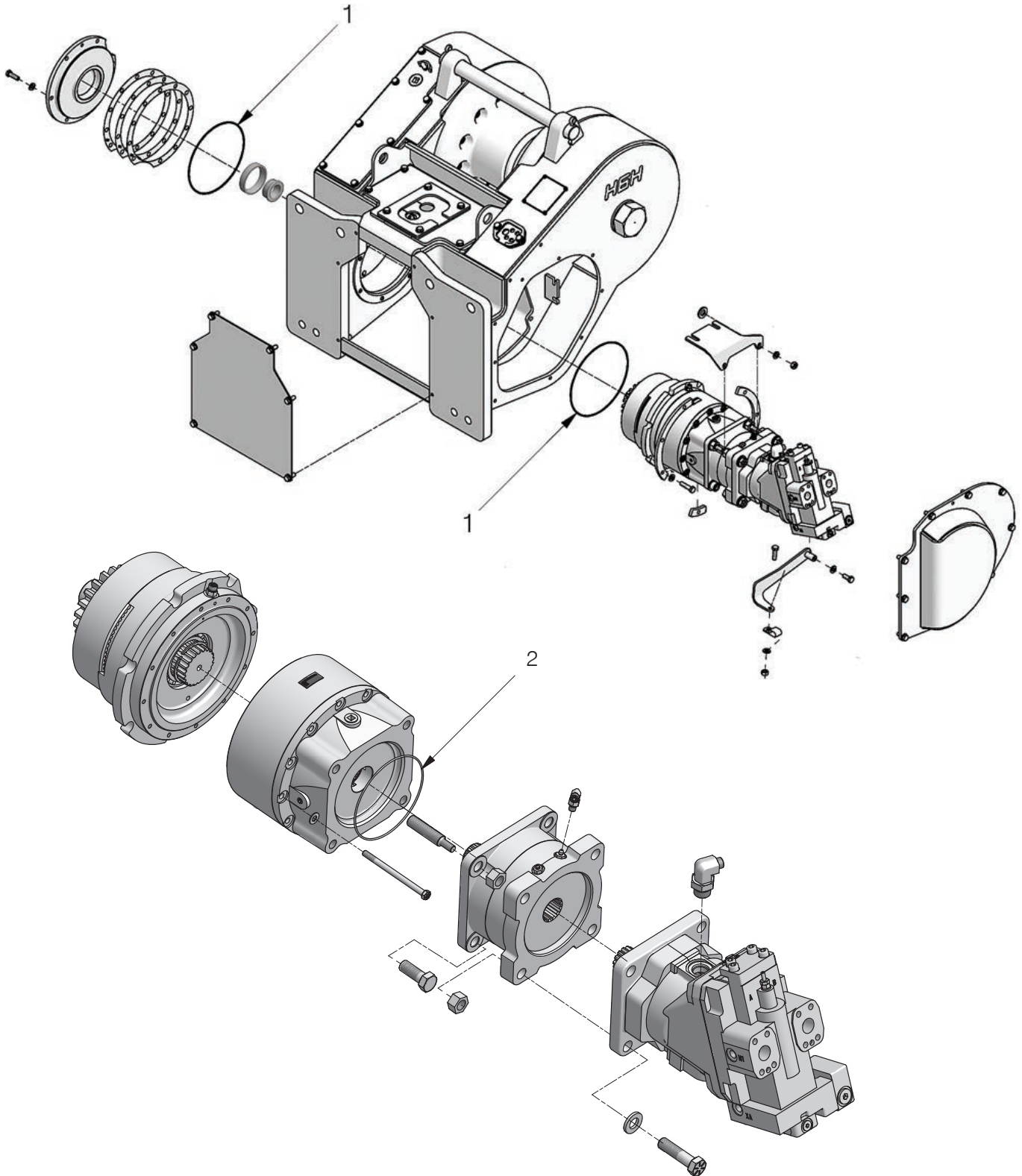
Table 1 Recommended Winch Service Intervals

Service Kits for H6H Winches				
Service Description	Kit Description	Winch Serial Number	Kit Part# for Hi-Performance (H) Winches	Kit Part# for Standard (T) Winches
Filter change	Filter kit	All	Refer to skidder operator and service manuals	
Complete oil change (every 1,000 hours)	N/A	All	Check our website for current operator's and service manuals for appropriate oils	
Clutch and brake overhaul (every 5,000 hours)	Motor, reducer & brake assembly rebuild kit	All	2314659	
Major overhaul (every 10,000 hours)	Intermediate/drum shaft & brake assembly rebuild kit	All	2314660	

Table 2 Routine Maintenance Kits

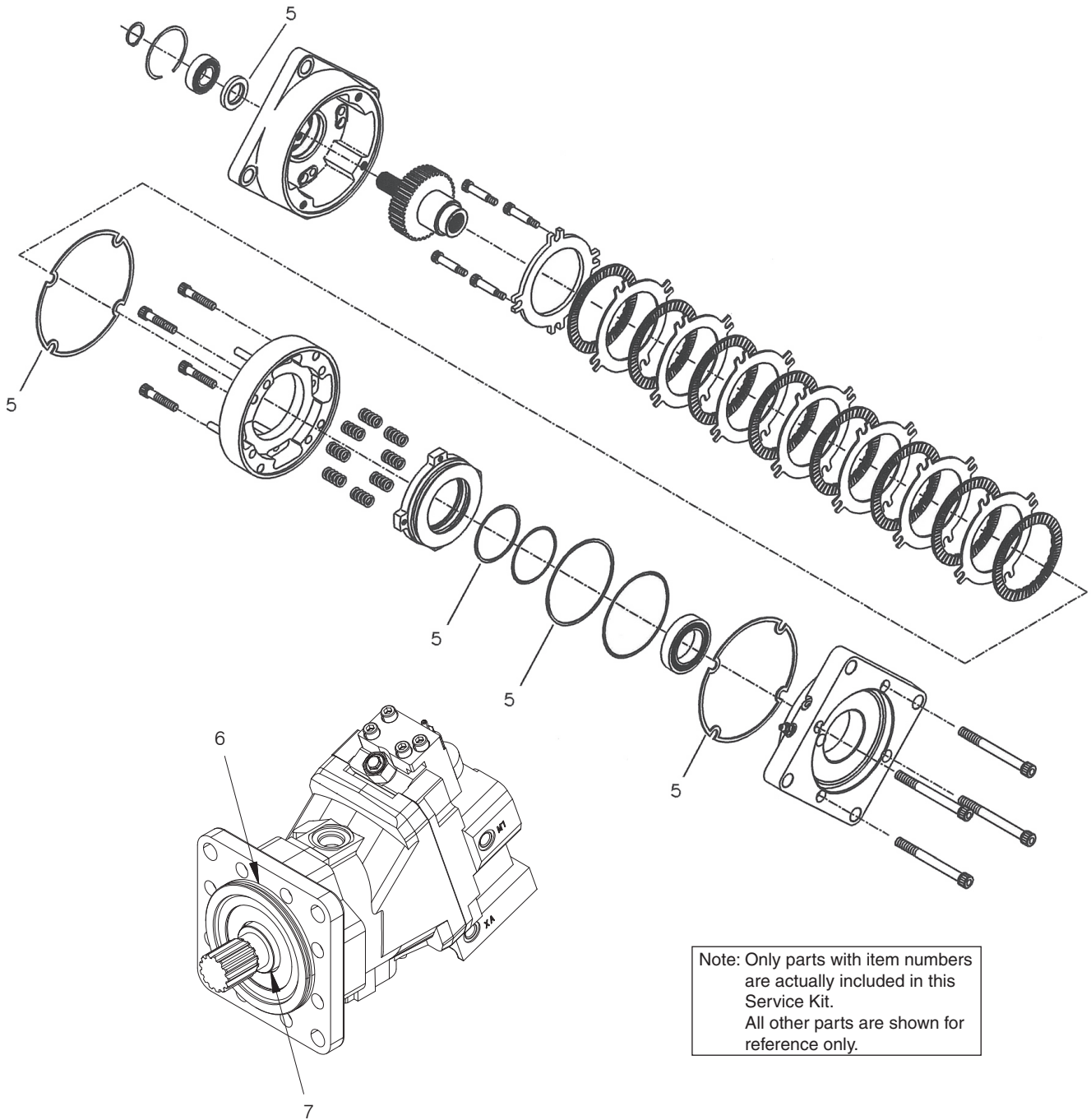
# Motor, Reducer & Brake Assembly Rebuild Kit: 2314659

Page 1 of 2



**Motor, Reducer & Brake Assembly Rebuild Kit: 2314659**

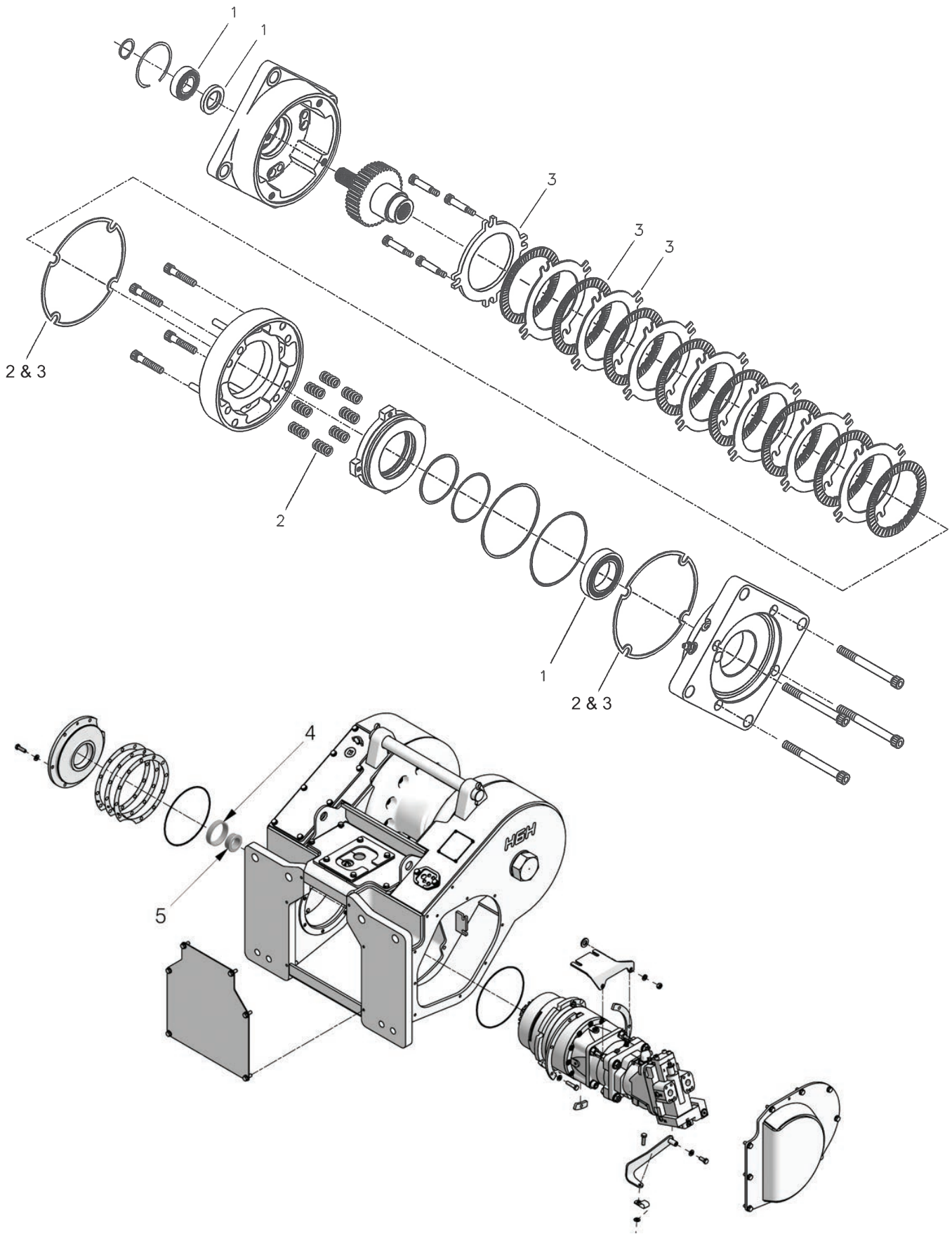
Page 2 of 2



Item	Part No.	Qty	Description	Item	Part No.	Qty	Description
	<b>2314659</b>		<b>Rebuild Kit, Motor, Reducer &amp; Brake Assy</b>				
1	203564	2	. O-Ring	4	230064W	1	. Adhesive (Not Shown)
2	237349	1	. O-Ring	5	2312302	1	. Kit, O-Ring
3	313022W	1	. Adhesive (Not Shown)	6	2313890	1	. O-Ring
				7	2313891	1	. Kit, Shaft Seal

# Intermediate/Drum Shaft & Brake Assembly Rebuild Kit: 2314660

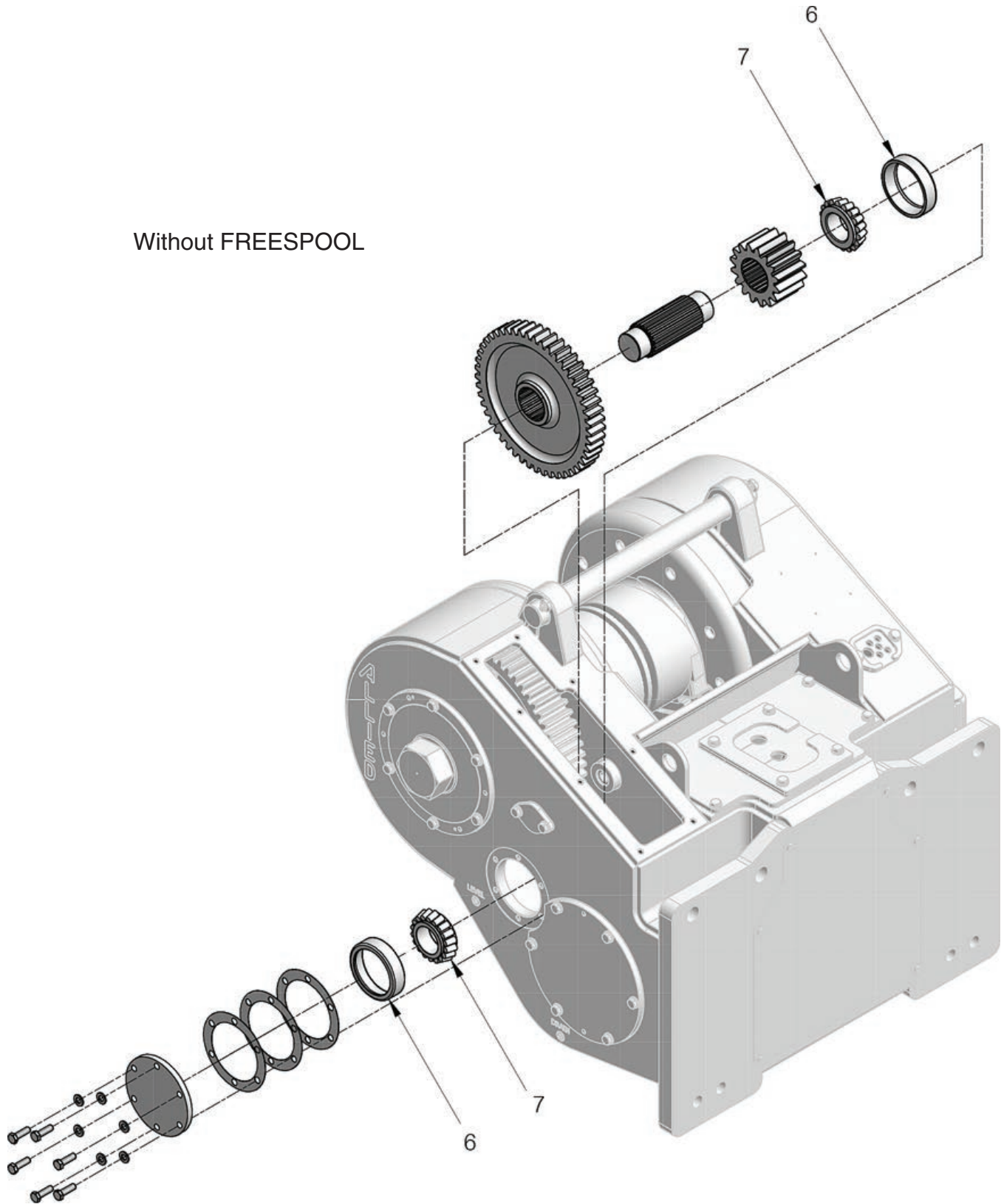
Page 1 of 4



Intermediate/Drum Shaft & Brake Assembly Rebuild Kit: 2314660

Page 2 of 4

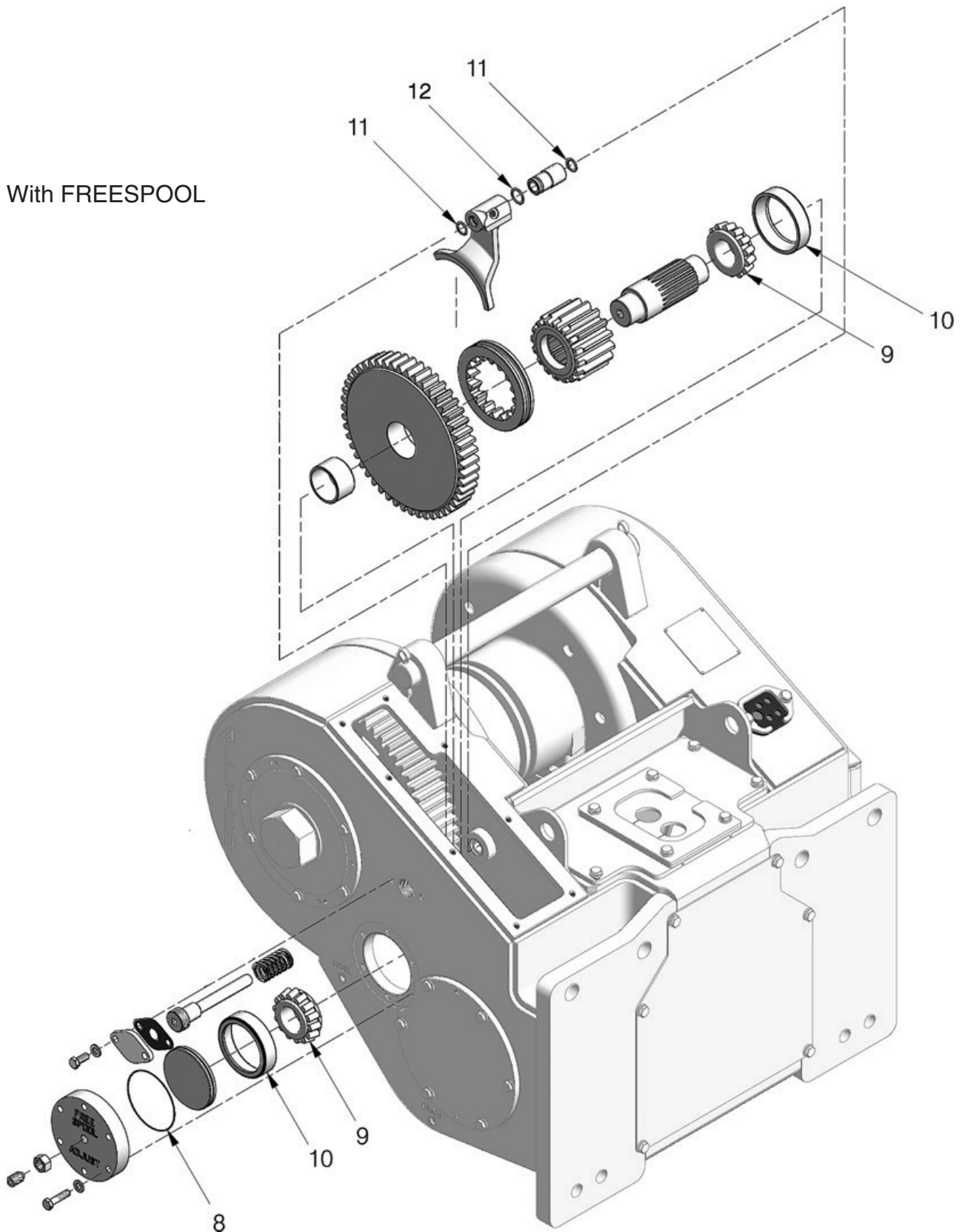
Without FREESPOOL



Intermediate/Drum Shaft & Brake Assembly Rebuild Kit: 2314660

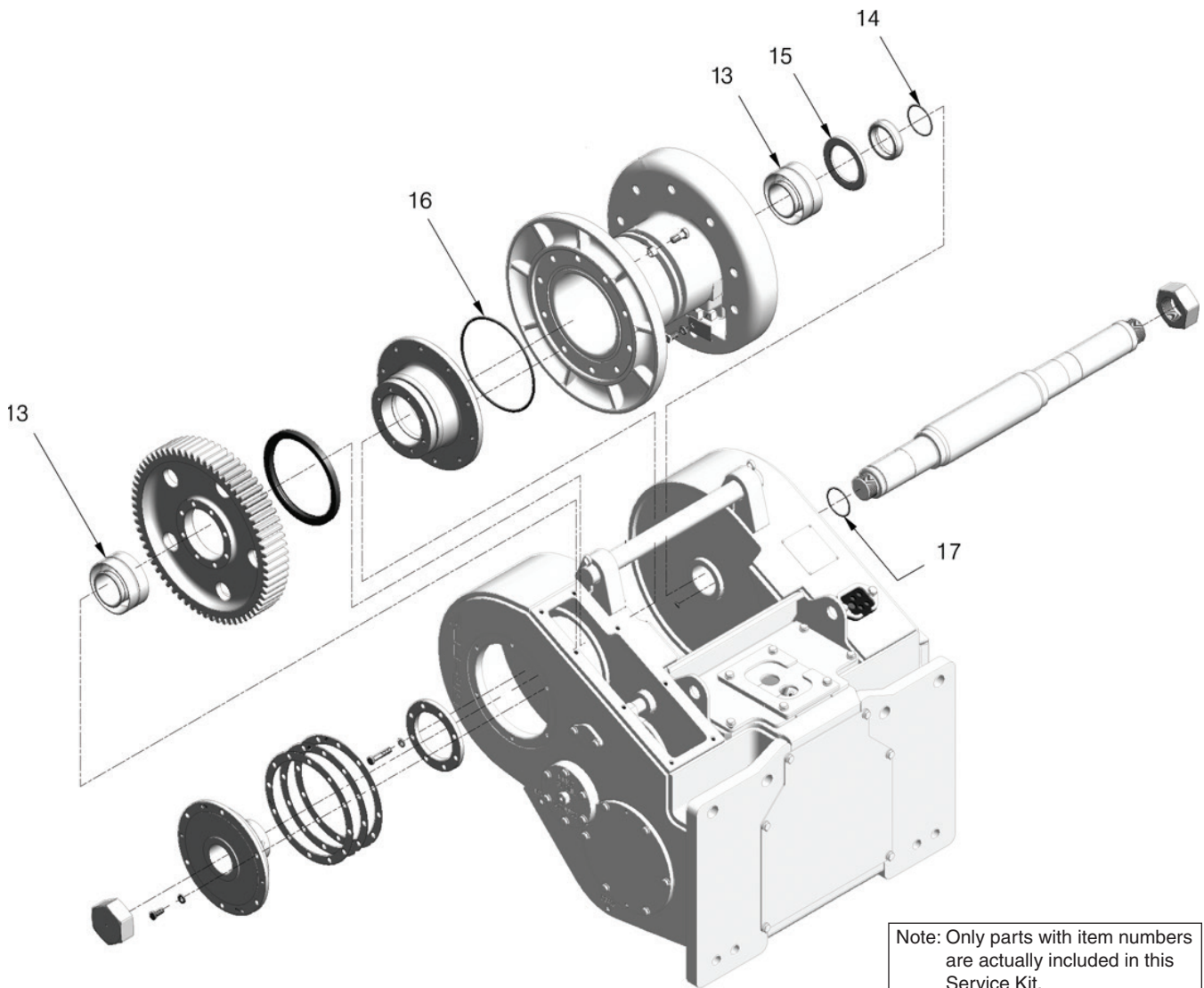
Page 3 of 4

With FREESPOOL



**Intermediate/Drum Shaft & Brake Assembly Rebuild Kit: 2314660**

Page 4 of 4



Note: Only parts with item numbers are actually included in this Service Kit. All other parts are shown for reference only.

Item	Part No.	Qty	Description	Item	Part No.	Qty	Description
<b>2314660</b>				<b>Rebuild Kit, Intermediate/ Drum Shaft &amp; Brake Assy</b>			
1	2312303	1	.Repair Kit, Bearing	10	30059W	2	. Cup, Bearing
2	250850	1	. Repair Kit, Spring	11	15862W	2	. O-Ring
3	250847	1	. Repair Kit, Lining	12	212380	1	. O-Ring
4	2300668W	1	. Cup, Bearing	13	230406W	2	. Bearing, Roller
5	2300669W	1	. Cone, Bearing	14	15881W	1	. O-Ring
6	30059W	2	. Cup, Bearing	15	44547W	1	. Seal, Oil
7	30080W	2	. Cone, Bearing	16	133927W	1	. Ring, Piston Seal
8	159940W	1	. O-Ring	17	90263W	1	. O-Ring
9	2302311W	2	. Cone, Bearing				

**Section 6**  
**Recommended Service Parts**



## H6H Hydraulic Winch Recommended Service Parts

The following pages list some of the service parts and kits that are available for your Allied H6H Winch.

Page 56 lists gaskets and seals. Keep these parts in stock at all times for regular maintenance. Order parts from the table based on your winch.

Page 56 also lists operator controls components and wire rope assemblies. Order parts as required and are relevant for your installation.

Page 57 contains kits for 5,000 hour and 10,000 hour scheduled maintenance. Order these kits in preparation for these intervals. Each kit includes all parts listed in the table.

Page 58 lists spare parts and hose kits. Order parts or kits as required and as relevant for your installation.

Page 59 lists tool kits and diagnostic tools, which are useful when you install, maintain and service your winches.

**Note: Allied Winch parts manuals are available for no charge download at <http://www.alliedsystems.com/pubs/pubs.htm>.**

**Gaskets & Seals** **Order as Required**
**Applies to: H6H Standard Winch mounted on Tigercat 635D (Y44)**

Allied P/N	Description	Qty on Winch	See Parts Manual Page	Order Qty
2312045	Gasket, Top Right-Hand	1	Frames/Covers	
151646W	Gasket, Freespool	1	Frames/Covers	
2312009	Seal, Top	1	Frames/Covers	
2312208	Gasket, Hose Seal	1	Frames/Covers	
252566	Seal Kit, Directional Valve (P/N 2311592)	1	Control Manifold Assembly	
2312111	Seal Kit, Cartridge Valve (P/N 2312073)	2	Control Manifold Assembly	
2312112	Seal Kit, Shuttle Valve (P/N 2312074)	1	Control Manifold Assembly	
236133	Seal Kit, Cavity Plug (P/N 258473)	1	CBR Manifold Assembly	
243815	Seal Kit, Cavity Plug (P/N 258473, 2312068)	1	CBR Manifold Assembly	
251170	Seal Kit, Cavity Plug (P/N 256462)	2	CBR Manifold Assembly	
259258	Seal Kit, Relief Valve (P/N 2307438W)	2	CBR Manifold Assembly	

**Operator Controls Components** **Order as Required**
**Applies to: All**

Allied P/N	Description	Qty on Winch	Order Qty
2310013	Assembly, Switch (Yellow LED)	1	
2310504	Assembly, Switch (Red LED)	1	
2310506	Assembly, Switch (Red LED), Momentary	1	
2311072	Assembly, Switch (Green LED)	1	

**Wire Rope Assemblies** **Order as Required**
**Applies to: All**

Allied P/N	Description	Length	Will Fill Drum To:	Order Qty
WR6-275L	Wire Rope Assy, 3/4"	275 FT (84 M)	2/3 Capacity (Recommended)	
WR6-413L	Wire Rope Assy, 3/4"	413 FT (126 M)	Full Capacity	
WR7-198L	Wire Rope Assy, 7/8"	198 FT (60 M)	2/3 Capacity (Recommended)	
WR7-297L	Wire Rope Assy, 7/8"	297 FT (91 M)	Full Capacity	
WR8-154L	Wire Rope Assy, 1"	154 FT (47 M)	2/3 Capacity (Recommended)	
WR8-230L	Wire Rope Assy, 1"	230 FT (70 M)	Full Capacity	
YS6-275LWS	Wire Rope Assy, 3/4"	275 FT (84 M)	2/3 Capacity (Recommended)	
YS6-413LWS	Wire Rope Assy, 3/4"	413 FT (126 M)	Full Capacity	
YS7-198LWS	Wire Rope Assy, 7/8"	198 FT (60 M)	2/3 Capacity (Recommended)	
YS7-297LWS	Wire Rope Assy, 7/8"	297 FT (91 M)	Full Capacity	
YS8-154LWS	Wire Rope Assy, 1"	154 FT (47 M)	2/3 Capacity (Recommended)	
YS8-230LWS	Wire Rope Assy, 1"	230 FT (70 M)	Full Capacity	

**Motor, Reducer & Brake Assembly Rebuild Kit, P/N: 2314659**

**Applies to: All**  
**Service Interval: Every 5,000 Hours**

Allied P/N	Description	Qty in Kit	See Parts Manual Page	Order Qty
<b>2314659</b>	<b>Rebuild Kit, Motor, Reducer &amp; Brake Assy</b>			
203564	. O-Ring	2	Motor Shaft Group	
237349	. O-Ring	1	Motor Shaft Assembly	
313022W	. Adhesive	1	Motor Shaft Assembly	
230064W	. Adhesive	1	Motor Shaft Assembly	
2312302	. Kit, O-Ring	1	Brake, Dry Disc	
2313890	. O-Ring	1	Hydraulic Motor	
2313891	. Kit, Shaft Seal	1	Hydraulic Motor	

**Intermediate/Drum Shaft, and Brake Assembly Rebuild Kit, P/N: 2314660**

**Applies to: All**  
**Service Interval: Every 10,000 hours**

Allied P/N	Description	Qty in Kit	See Parts Manual Page	Order Qty
<b>2314660</b>	<b>Rebuild Kit, Intermed./Drum Shaft, &amp; Brake Assy</b>			
2312303	. Repair Kit, Bearing	1	Brake, Dry Disc	
250850	. Repair Kit, Spring	1	Brake, Dry Disc	
250847	. Repair Kit, Lining	1	Brake, Dry Disc	
2300668W	. Cup, Bearing	1	Motor Shaft Group	
2300669W	. Cone, Bearing	1	Motor Shaft Group	
30059W	. Cup, Bearing	1	Shaft, Intermediate Gear	
30080W	. Cone, Bearing	1	Shaft, Intermediate Gear	
159940W	. O-Ring	1	Shaft, Intermediate Gear	
2302311	. Cone, Bearing	2	Shaft, Intermediate Gear	
30059W	. Cup, Bearing	2	Shaft, Intermediate Gear	
15862W	. O-Ring	2	Shaft, Intermediate Gear	
212380	. O-Ring	1	Shaft, Intermediate Gear	
230406W	. Bearing, Roller	2	Shaft, Drum	
15881W	. O-Ring	1	Shaft, Drum	
44547W	. Seal, Oil	1	Shaft, Drum	
133927W	. Ring, Piston Seal	1	Shaft, Drum	
90263W	. O-Ring	1	Shaft, Drum	

Spare Parts				Order as Required	
Applies to:		See "Relevant for Installation" Column			
Allied P/N	Description	Qty on Winch	Relevant for Installation	See Parts Manual Page	Order Qty
2316124 *a 2313727 *b	Motor, Hydraulic	1	Tigercat 635D (H6HT2B**Y44)	Motor Shaft Group	
2311883	Assembly, Reducer	1	Tigercat 635D (H6HT2B**Y44)	Motor Shaft Assembly	
2312155	Assembly, Brake	1	All	Motor Shaft Assembly	
21420W	Plug, Breather	1	All	Frame/Covers	
2300962W	Cap, Breather	1	All	Frame/Covers	
95959W	Pin, Drawbar	1	All	Frame/Covers	
2303221W	Pin, Retaining	1	All	Frame/Covers	
2312099	Nut, Blind	2	All	Shaft, Drum	
2301783W	Keeper, Ferrule	1	All	Shaft, Drum	
328715W	Disc, Friction	7	All	Clutch Assembly	
283434W	Assembly, Gear	1	All	Shaft, Intermediate Gear	
2570W	Bushing	6	All	Fairlead, 3-Roller	
2570W	Bushing	8	All	Fairlead, 4-Roller	

Hose Kits				Order as Required	
Applies to:		See "Relevant for Installation" Column			
Allied P/N	Description	Qty on Winch	Relevant for Installation	Order Qty	
2314776	Hose Kit, Winch Hydraulics	1	Tigercat 635D (Y44)		

\*a First used with S/N1714

\*b Last used with S/N1713

**Tool Kits**


Order these tool kits as required for installation, maintenance and service of your winch(es).

Allied P/N	Description	Order Qty
588466	Socket Set, 3/8DR 3/8" to 7/8" STD/Deep, 22 PC	
588467	Socket Set, 1/2DR 3/8" to 1-1/4" STD/Deep, 30 PC	
588468	Socket Set, 3/4DR 7/8" to 2-3/8" STD, 29 PC	
588469	Wrench Set, 5/16" to 2-1/2", 31 PC	
588527	Hex Key Sets, .025" to 5/8", 18 PC	
588530	Socket Sets, 3/8DR 6mm-19mm 12 Point	
588529	Socket Sets, 1/2DR 10mm-26mm 12 Point	
588528	Wrench Sets, 7mm-24mm, 18 PC	
588526	Hex Key Sets, .07mm-17mm, 15 PC	

**Diagnostic Tools**

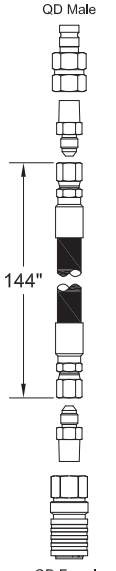
Order these tools as required for maintenance and service of your winch(es).

Allied P/N	Description	Order Qty
906601	0 to 8700 PSI Digital Pressure Gauge w/Female QD Connector	
69782	72" Hose Assembly w/QD Connectors Both Ends	
70381	144" Hose Assembly w/QD Connectors Both Ends	
69778	Multi-Meter, 12 Function	



**69778**  
Multi-Meter, 12 Function

AC/DC Voltage & Current,  
Resistance, Capacitance,  
Frequency, Type K & IR  
Temperature, Diode/Continuity,  
Duty Cycle Non-Contact  
InfraRed Thermometer  
CAT III Test Leads  
Type K Bead Wire Temp Probe

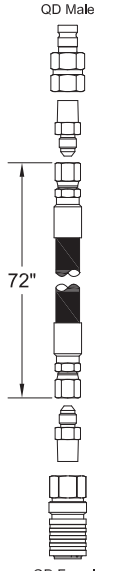


QD Male

144"

QD Female

**70381**  
Kit, Hose Assembly, W/QD Both Ends

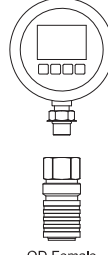


QD Male

72"

QD Female

**69782**  
Kit, Hose Assembly, W/QD Both Ends



QD Female

**906601**  
Kit, Digital Pressure Gauge  
W/ Female QD Connector  
0 to 8700 PSI

**Section 7**  
**Numerical Index**

Part No.	Page	Item No.	Part No.	Page	Item No.	Part No.	Page	Item No.
24257	31	1.21	2311072	35	4	2312068	37	2
203564	17	13	2311251	23	9	2312073	36	3
203564	49	1	2311330	9	5	2312074	36	4
209502	31	2.11	2311592	36	2	2312099	28	25
209511	31	2.1	2311655	22	7	2312111	36	
211564	31	1.9	2311683	22	5	2312112	36	
212380	27	5	2311684	22	15	2312117	13	13.2
212380	53	12	2311687	22	20	2312119	13	13.4
229345	37	7	2311718	33	1	2312155	19	1.1
229383	34	8	2311718	37		2312155	25	
229383	37	6	2311719	37	1	2312168	39	18
229448	31	1.3	2311770	32	1	2312212	31	1.17
231439	22	3	2311770	36		2312280	27	13
231439	31	1.11	2311771	36	1	2312302	49	5
231465	32	6	2311819	17		2312303	53	1
231820	34	6	2311855	22	1	2312350	31	1.15
231822	32	10	2311856	22	2	2312351	31	2.4
232359	34	4	2311857	17	1	2312353	31	1.14
232984	31	2.8	2311869	22	18	2312437	40	17
232984	32	9	2311880	22	10	2312437	42	17
234509	35	5	2311883	19	3	2312442	22	6
235387	32	7	2311883	19	3	2312486	13	3.14
235387	34	7	2311894	27	1	2312486	28	23
235387	37	5	2311903	22	11	2312487	17	5
236855	31	2.3	2311903	23		2312487	26	20.6
237349	19	1.5	2311904	23	1	2312488	17	3
237349	49	2	2311905	22	21	2312488	27	20
242230	37	4	2311906	23	6	2312580	13	2.3
243815	33		2311907	23	2	2312580	40	18
243815	37		2311917	17	14	2312580	41	16
250847	53	3	2311918	17	15	2312580	42	18
250850	53	2	2312006	13	13.6	2312580	43	16
251170	33		2312018	17	9	2312878	31	1.16
252566	36		2312029	23	3	2312977	22	21
256462	33	3	2312036	17	7	2313026	19	4
258473	33	2	2312039	22	4	2313026	19	4
259258	37		2312041	19	1.4	2313026	22	
2303036	27	8	2312045	13	3.2	2313136	35	1
2310093	28	3	2312046	13	13.5	2313380	13	13.3
2310181	37	8	2312048	13	3.1	2313719	31	2.7
2310504	35	3	2312059	17	11	2313720	31	2.6
2310726	39	17	2312060	17	12	2313727	19	2
2310796	9	4	2312061	17	10	2313728	19	
2310891	28	18	2312064	28	20	2313730	28	26

Part No.	Page	Item No.	Part No.	Page	Item No.	Part No.	Page	Item No.
2313735	31	2.1	137153W	22	16	177192W	19	1.8
2313735	32		137155W	22	17	177192W	19	1.8
2313736	33		141671W	28	19	18668W	41	12
2313736	34	1	141674W	28	1	18668W	42	14
2313737	31	2.2	149541W	26	20.8	18668W	43	12
2313737	34		149542W	26	20.9	18669W	40	14
2313738	31	2.5	149543W	26	20.1	21420W	13	3.11
2313742	31	2.9	151589W	13	3.9	221336W	39	12
2313744	13	4.2	15158W	28	5	221577W	28	4
2313747	13	4.1	151646W	13	3.1	221716W	19	1.3
2313812	31	2.12	15166W	40	15	221717W	27	16
2313813	27	14	15166W	41	13	221767W	19	1.7
2313890	19		15166W	42	15	221771W	28	17
2313890	49	6	15166W	43	13	221777W	19	1.9
2313891	19		15176W	31	1.18	222713W	23	10
2313891	49	7	15178W	31	1.8	226374W	40	12
2313984	36		15272W	13	2.4	226374W	41	10
2314097	41	4	15272W	40	16	226374W	42	12
2314097	43	4	15272W	41	14	226374W	43	10
2314106	36		15272W	42	16	230064W	49	4
2314411	26	21.1	15272W	43	14	2300668W	17	16
2314659	49		15290W	13	2.5	2300668W	53	4
2314660	53		15315W	13	2.6	2300669W	17	17
2314781	35	2	15319W	13	3.13	2300669W	53	5
2314787	35		15862W	27	4	2300962W	13	3.12
2315005	9	2	15862W	53	11	2301706W	39	5
2315544	41	1.1	15881W	28	8	2301706W	39	20
2315544	43	1.1	15881W	53	14	2301706W	40	4
2315544	43	8.1	159940W	27	10	2301706W	41	3
2315545	41	1	159940W	53	8	2301706W	42	4
2315545	43	1	16001W	39	9	2301706W	43	3
2315546	41	2	16001W	40	6	2301718W	40	8
2315546	43	2	16001W	41	5	2301718W	42	8
2315548	41		16001W	42	6	2301721W	40	11
2315549	43		16001W	43	5	2301721W	41	9
2315555	41	7	16602W	9	3	2301721W	42	11
2315555	43	7	16829W	28	16	2301721W	43	9
2316124	19	2	172808W	28	7	2301722W	40	3
2316150	19		172810W	28	24	2301722W	42	3
2316162	13	3.6	173607W	41	15	2301724W	41	8.1
2316491	17	7	173607W	43	15	2301726W	40	9
1321665W	9	1	175646W	28	14	2301726W	41	8
133927W	28	10	175647W	28	13	2301726W	42	9
133927W	53	16	175648W	28	12	2301726W	43	8



Part No.	Page	Item No.	Part No.	Page	Item No.	Part No.	Page	Item No.
2301727W	40	1	261542W	23	5	90263W	28	11
2301727W	42	1	280262W	26	20.3	90263W	53	17
2301731W	40		2817W	39	16	93878W	40	13
2301732W	42		2821W	39	10	93878W	41	11
2301748W	39		283432W	27	8A	93878W	42	13
2301749W	39	1	283434W	27	8	93878W	43	11
2301783W	28	15	292656W	17	8	95959W	13	2.1
2301907W	39	2	293628W	23	8	95972W	26	20.1
2301910W	39	7	293645W	13	3.15	95973W	26	20.2
2301919W	39	14	293645W	13	13.1	95977W	28	21
2301920W	39	13	293645W	17	6	95978W	28	6
2301924W	39	19	293647W	17	19	96024W	26	21.1
2301925W	39	15	296420W	23	7	R13801826	19	1.6
2301961W	41	1.2	296420W	31	1.2	R13811617	22	14
2301961W	41	8.2	296422W	13	3.16	R14040	32	4
2301961W	43	1.2	296422W	13	13.8	R833103	31	1.1
2301961W	43	8.2	296422W	17	4	R833133	34	3
2302120W	39	11	296422W	26	20.7	R833200	32	8
2302311W	27	17	296422W	27	21	R833218	34	2
2302311W	53	9	296422W	28	22	R833251	19	1.1
2302624W	27	9	30059W	26	20.4	R833251	32	5
2302625W	27	11	30059W	27	18	R833253	31	1.5
2303221W	13	2.2	30059W	53	6	R833260	19	5
2303992W	22	13	30059W	53	10	R833400	32	3
230406W	53	13	30080W	26	20.5	R834100	31	1.7
230407W	22	19	30080W	53	7	R834257	34	5
2304803W	27	15	313022W	49	3	WR6-275L	44	
2305096W	27	7	328715W	23	4	WR6-413L	44	
2305097W	27	2	331767W	39	4	WR7-198L	44	
2305099W	27	3	33394W	40	5	WR7-297L	44	
2305130W	17	20	33394W	42	5	WR8-154L	44	
2305956W	27	12	35135W	39	3	WR8-230L	44	
2307438W	37	3	35135W	39	8	Y09C-M1025	31	1.1
2307625W	31	1.4	398817W	39	6	Y17C-1232	19	1.2
2307625W	32	2	398817W	39	21	Y433070.45	28	27
239147W	22	12	398817W	40	7	YS6-275LWS	44	
2570W	40	2	398817W	41	6	YS6-413LWS	44	
2570W	40	10	398817W	42	7	YS7-198LWS	44	
2570W	41	1.3	398817W	43	6	YS7-297LWS	44	
2570W	41	8.3	44547W	28	9	YS8-154LWS	44	
2570W	42	2	44547W	53	15	YS8-230LWS	44	
2570W	42	10	53559W	28	2			
2570W	43	1.3	86585W	22	8			
2570W	43	8.3	87287W	22	9			



To find a dealer in your area,  
Call: (503) 625-2560,  
Fax: (503) 625-7269, or  
Email: [marketing@alliedsystems.com](mailto:marketing@alliedsystems.com), or  
Visit our website: <http://www.alliedsystems.com>

599039W-TIG Rev. 3/2019 Printed in U.S.A.

