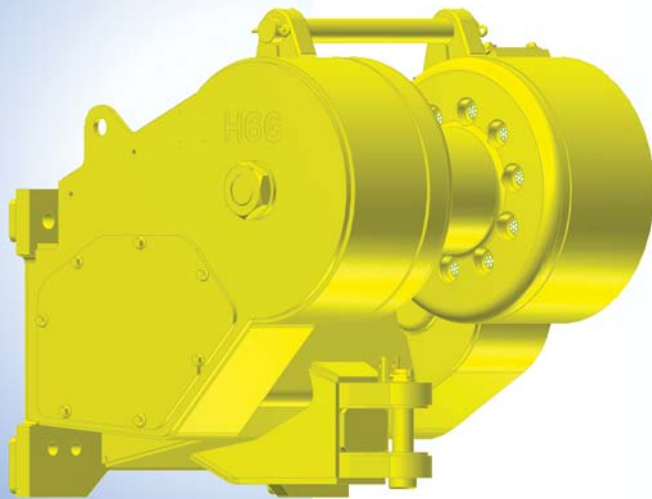




Parts Manual



Allied H6G Hydraulic Towing Winch

Please check the Allied Systems website
regularly for updates to this manual.
www.alliedsystems.com

CUSTOMER EDITION

A PRODUCT OF

Allied Systems
COMPANY

SHERWOOD, OREGON USA

P/N 599027W

Printed in USA

12/22/2011

Safety Precautions

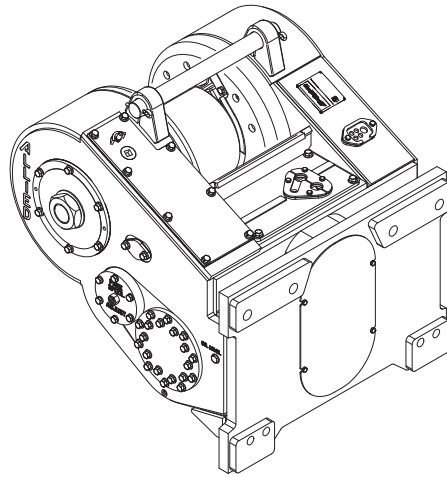
Observe the following precautions to prevent injury to personnel and damage to equipment.

- Do not operate winch unless tractor is equipped with a rear screen for operator protection against wire rope breakage.
- Authorized operators only!
- Report damage or erratic operation of the winch immediately.
- Do not stand while operating the tractor or the winch.
- Make sure that instruments and controls are operative before working the unit.
- Do not use control levers or handles as machine mounting assists.
- Do not use control levers or handles as hangers for clothes, water bags, grease guns, lunch pails, etc.
- Do not permit personnel in the control area when working or making checks on the machine.
- Do not allow riders on the machine or load.
- Use extreme care when operating close to other machines.
- Avoid operating near anyone working or standing.
- Do not stand or permit others to stand in a bight (loop) of the wire rope.
- Do not stand or permit others to stand near the winch or wire rope when it is under tension.
- Do not work with a damaged wire rope (broken wire or strands, or a decrease in the diameter of a wire rope, are warning signs).
- Do not leave the tractor while the wire rope is under tension.
- Avoid pulling the hook over the drum and through the throat of the winch.
- Do not anchor a double or two-part line to the winch.
- When not operating the winch, always leave it in neutral with the brake on.
- Never attempt to clean, oil or adjust a machine while it is in motion.
- Use extreme care when removing wire rope and ferrule from the drum. When the ferrule is released, the cable may spring out with force.

Winch serial number _____

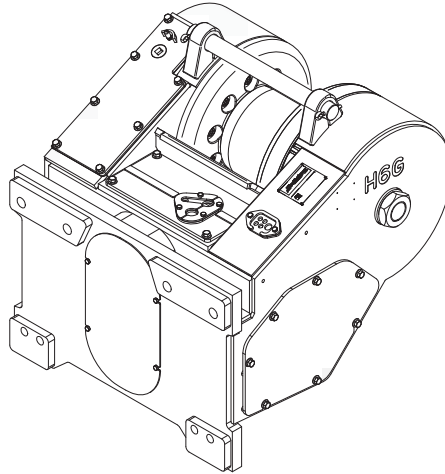
Date put into service _____

0-1
Index



1

2



3

4

Ref	Item	Page
1	Frame/Covers/Decals/Mounting Parts.	1-1
2	Gear/Shaft Train	2-1
3	Hydraulics/Controls	3-1
4	Options	4-1
5	Index-Numerical	5-1

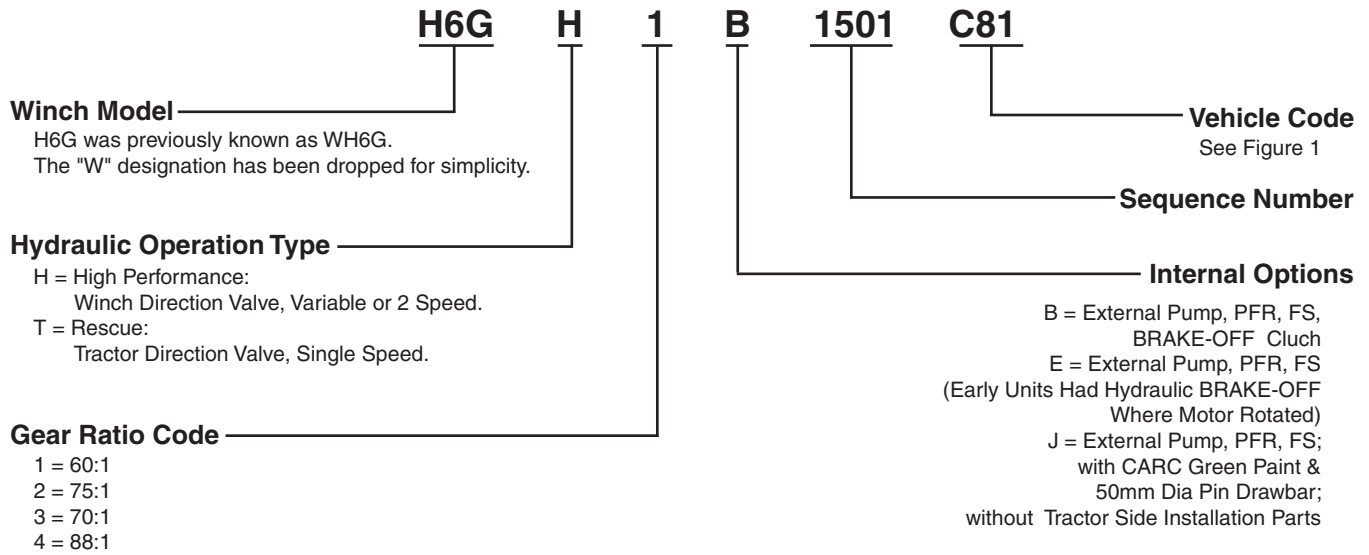
5

Index - Master

Description	Page No.
Arch.....	4-2
Brake, Dry Disc	2-5
Clutch Assembly	2-7
Clutch Shaft Assembly	2-6
Fairlead	4-3
Frame/Covers.....	1-2
Handlever Installation.....	3-12
Hydraulic Group - H6GH (High-Performance) Winch.....	3-2
Hydraulic Group - H6GT (Rescue) Winch.....	3-6
Hydraulic Group - Conversion Kit.....	3-8
Manifold - Bypass.....	3-20
Manifold - Control.....	3-19
Manifold - Directional	3-18
Manifold - Logic Control	3-21
Mounting Parts.....	1-6
Motor, Hydraulic - One-Speed.....	3-10
Motor, Hydraulic - Two-Speed	3-11
Nameplate & Decals	1-18
Numerical Index	5-1
Oil Capacity.....	0-6
Oil Specifications	0-6
Optional Oil Cooler Installation	3-25
Reducer, Planetary	2-4
Shaft - Drum.....	2-8
Shaft - Intermediate	2-9
Shaft - Motor, H6GH (High-Performance) Winch	2-2
Shaft - Motor, H6GT (Rescue) Winch	2-3
Switch Panel Assembly.....	3-22
Wire Rope Assemblies.....	4-4

Identification - Unit

Allied Winch S/N Nameplate Data For Tractor Mountings



- Notes:** 1. In Addition to the serial number plate, the serial number is stamped on the top left-hand side of the frame.
 2. Circled numbers in Figure 1 indicate possible gear ratios.

C O D E	A New Holland & Fiat	C Caterpillar	E John Deere	H Dressta	K Komatsu	R Case
47			750J850J ① ② ④		D61EX-15 ① ②	
48			750J ① ②			
81		D6N ① ②				

Figure 1 - Tractor or Skidder Identification Codes and Available Gear Ratios

How to use the Illustrated Parts manual

5-2

5

Numerical Index

Part No.	Page	Item	Description	Part No.
108877W	2-8	23	O-Ring	1305093W
109453W	1-9	9	O-Ring	1306001W
109453W	2-2	10	O-Ring	1306002W
109453W	3-12	9	Clamp	1306003W
110322W	3-27	11	Shim, .005	1306003W
110931W	2-5	23	Shim, .007	1308400W
110932W	2-5	23	Shim, .020	1308401W
110933W	2-5	23	Clamp, Strap	1308402W
114312W	3-10	24	O-Ring	1308403W
118361W	3-7	13	O-Ring	1308406W
118361W	3-8	16	O-Ring	1308436W
118361W	3-9	21	O-Ring	1308437W
118365W	3-9	26	O-Ring	1308438W
119491W	2-6	17	Seal, Oil	1308439W
12327W	2-5	3	Capcrew	1308440W
12447W	2-11	9	Bearing	1308441W
125399W	2-2	8	Clamp	1308442W
127045W	3-5	14	Snap-Ring	1308443W
127045W	2-10	3	Snap-Ring	1311111W

0-2

3

Index-Master

Description	Page No.
Arch	4-3
Box-Gear	2-5 thru 2-7
Brake	2-10
	2-9
	2-9
	1-4
	4-3 & 4-4

2-2

9

Shaft-PTO

Last Used on S/N WBLP-2099 & AWBL-1000

Tractor Model	Shaft-PTO (Item 3)		Bearing Carrier (Item 4)	Pin (Item 5)	Lo Pin (Item 6)
	49.8:1	71.6:1			
Caterpillar D7 DD	132909W	98362W	19929W	96	
Caterpillar D7 FS	132909W	98362W	19929W		
Caterpillar 572	129909W	98362W	9583W		
Flat-Allis 16B		216222W	19929W		
Flat-Allis 20	132909W	216222W	9583W		
Dresser TD-20E	258766W	98362W	19929W		
Komatsu D65A-12E-16 Dec-1 D65ECS	219032W	98362W	213129W		
John Deere D700A	258854W	253030W	98362W		

Item	Part No.	Description	A	B	Item
1	134078W	Shim, .005	A/R	A/R	11
1	134079W	Shim, .007	A/R	A/R	11
2	79383W	Seal, Oil	1	1	12
3	"a	Shaft, PTO	1	1	14
4	"a	Bearing, Carrier	1	1	15
5	"a	Pin	1	1	16
6	"a	Ring, Lock	1	1	1
7	"a	Coupler	1	1	1
8	36573W	Ring, Snap	1	1	1
9	125399W	Bearing	1	1	1
10	109453W	O-Ring	1	1	1

0-1

1

Index-Illustrated

Ref	Item	Page
1	Frame/Covers/Decals/Parts-Mounting	1-1
2	Gear Train/Shaft	2-1
3	Hydraulics/Controls	3-1
4	Optional	4-1
5	Numerical Index	5-1

When the part number and the next higher assembly is not known:

1. Determine the function and application of the part required. Turn to the illustrated index page immediately behind the front cover, and select the most appropriate area.
2. Use the table of contents at the beginning of each chapter to determine the assembly which would normally contain the part required. Proceed then to locate the part on the assembly breakdown page.

When the part number is not known and the next higher assembly is known:

1. Determine the assembly the required part is used on. Turn to the master index (which immediately follows the illustrated index).
2. Locate the assembly on which the required part is used, and turn to the page indicated for that assembly. Proceed to locate the part on the assembly breakdown page.

When the part number is known:

Use the numerical index to find the part number. Turn to the page listed and locate the part as indicated by the reference number.

General:

The assembly breakdowns include part numbers, descriptions, quantities required, keys and footnotes to help in selecting the correct parts.

Keys are used to show effective serial numbers for two or more similar assemblies, LH and RH assembly parts, etc. Select the appropriate key, "A," "B," "C," or "D" and the corresponding quantity column to find the required parts.

Indent dots are used to indicate assemblies and sub-parts of assemblies. No dot indicates the major assembly. Part descriptions which are indented with dots are sub-parts of the major assembly shown above.

Quantities shown are for one assembly. Note that when two assemblies are shown, but the quantity of the sub-parts is indicated as three, this means three per assembly - for a total of six. AR means As Required, and NSS indicates Not Sold Separately.

Serial numbers are shown to allow for the most current parts information to be incorporated into the parts manual. See page 0-3 for serial number information.

Ordering Parts:

When ordering replacement parts, give the unit serial number, part number, name of part and quantity required.

For any further information on parts, service or ordering, consult your local winch dealer, or contact Allied Systems Company:

Allied Systems Company
21433 SW Oregon Street
Sherwood, OR 97140 USA

Phone: 503-625-2560
Fax: 503-625-5132
E-Mail: parts@alliedsystems.com

Also see our website, www.alliedsystems.com, where the most current copy of this manual is always available.

NOTE: This publication may be translated to different languages for sole purpose of easy reference in non-English speaking locations. Should there be differences in interpretations to the text, please refer to the English language edition published by Allied Systems Company as the controlling document.

Oil Specifications

Oil Selection & Recommended Oil List

The main consideration while selecting hydraulic fluid is viscosity characteristics are obtained. the estimated oil temperature extremes that will be experienced during service so the most suitable temperature-

VISCOSITY GRADE		OIL OPERATING TEMPERATURE RANGE		TYPICAL AMBIENT TEMPERATURE RANGE	
ISO	SAE	°F	°C	°F	°C
VG 22	10W	-5 to 140	-20 to 60	-5 to 40	-20 to 4
VG 32	15W	10 to 160	-12 to 71	10 to 55	-12 to 13
VG 46	20	20 to 180	-7 to 82	20 to 70	-7 to 21
VG 68	20	30 to 200	-1 to 93	30 to 90	-1 to 32
VG 100	30	40 to 220	4 to 104	40 to 110	4 to 43

Figure 2 - Oil Selection Chart

Factory fill is Exxon-Mobil 424. This is an ISO Viscosity Grade 46 to 68. system oils are not recommended for use inside the winch.

For inside winch housing, use the following oils:

For external pump winches (the winch pump uses tractor hydraulic fluid) the hydraulic circuit and winch gear housing may have different fluids. Note that some hydraulic

	HYDRAULIC SYSTEM (PUMP)	WINCH CASE (GEAR TRAIN)
Caterpillar	Use Tractor Fluid	TDTO TO-4 MTO
John Deere	Use Tractor Fluid	Hy-Gard
Komatsu	Use Tractor Fluid	Universal Tractor Fluid
Chevron	Use Tractor Fluid	1000 THF
Exxon-Mobil	Use Tractor Fluid	Mobil Fluid 424
Case	Use Tractor Fluid	Hy-Tran Ultra
New Holland	Use Tractor Fluid	Multitran

Figure 3 - Recommended Oil List

Oil Capacity

The oil capacity for the H6G winch is 8.5 quarts (8 liters).



Frame/Covers/Decals/Mounting Parts

Frame/Covers - H6GH (High-Performance) Winch 1-2 & 1-3

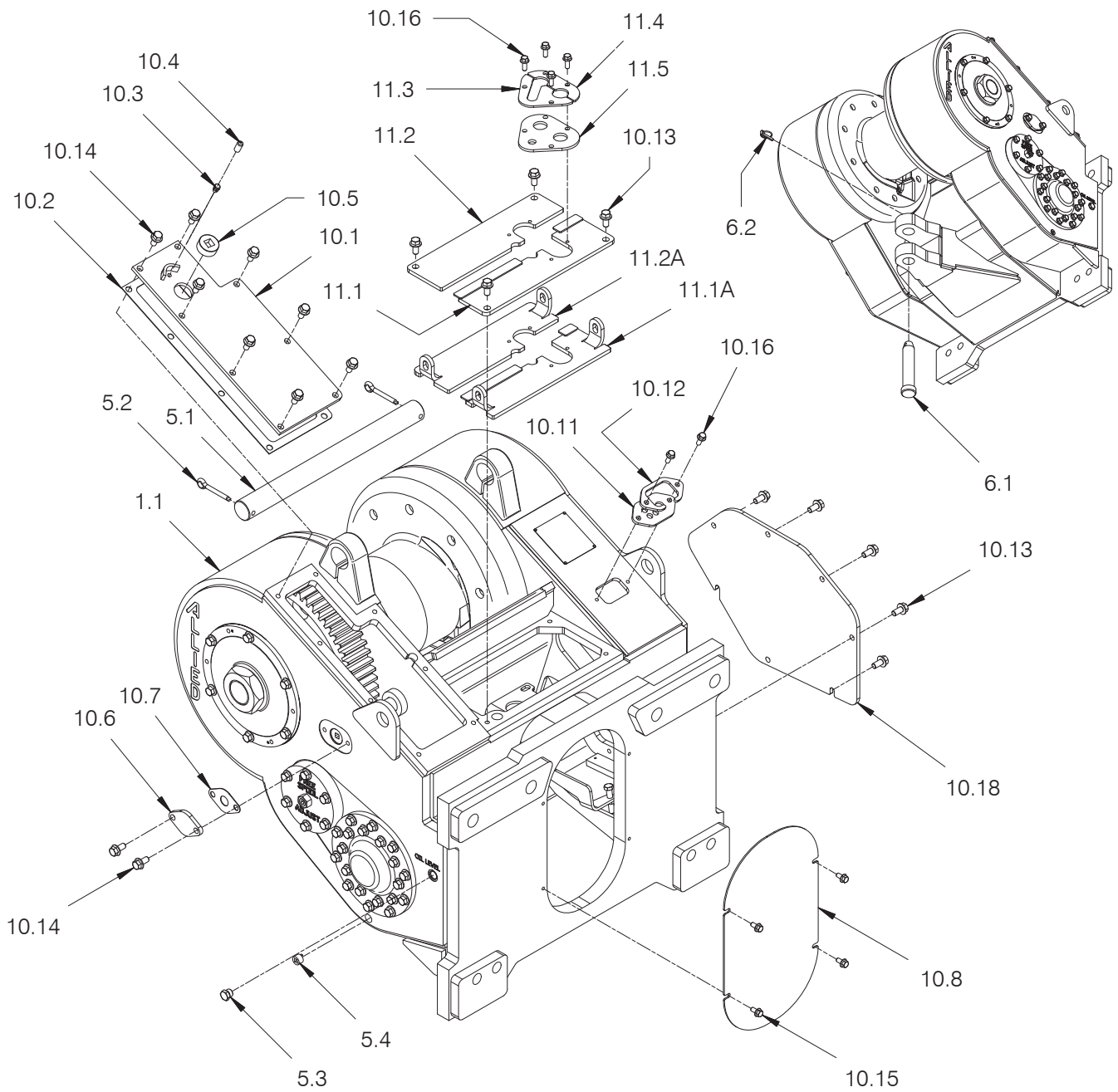
Frame/Covers - H6GT (Rescue) Winch 1-4 & 1-5

Mounting Parts 1-6 thru 1-17

Nameplate & Decals 1-18

Frame/Covers

H6GH (High-Performance) Winch

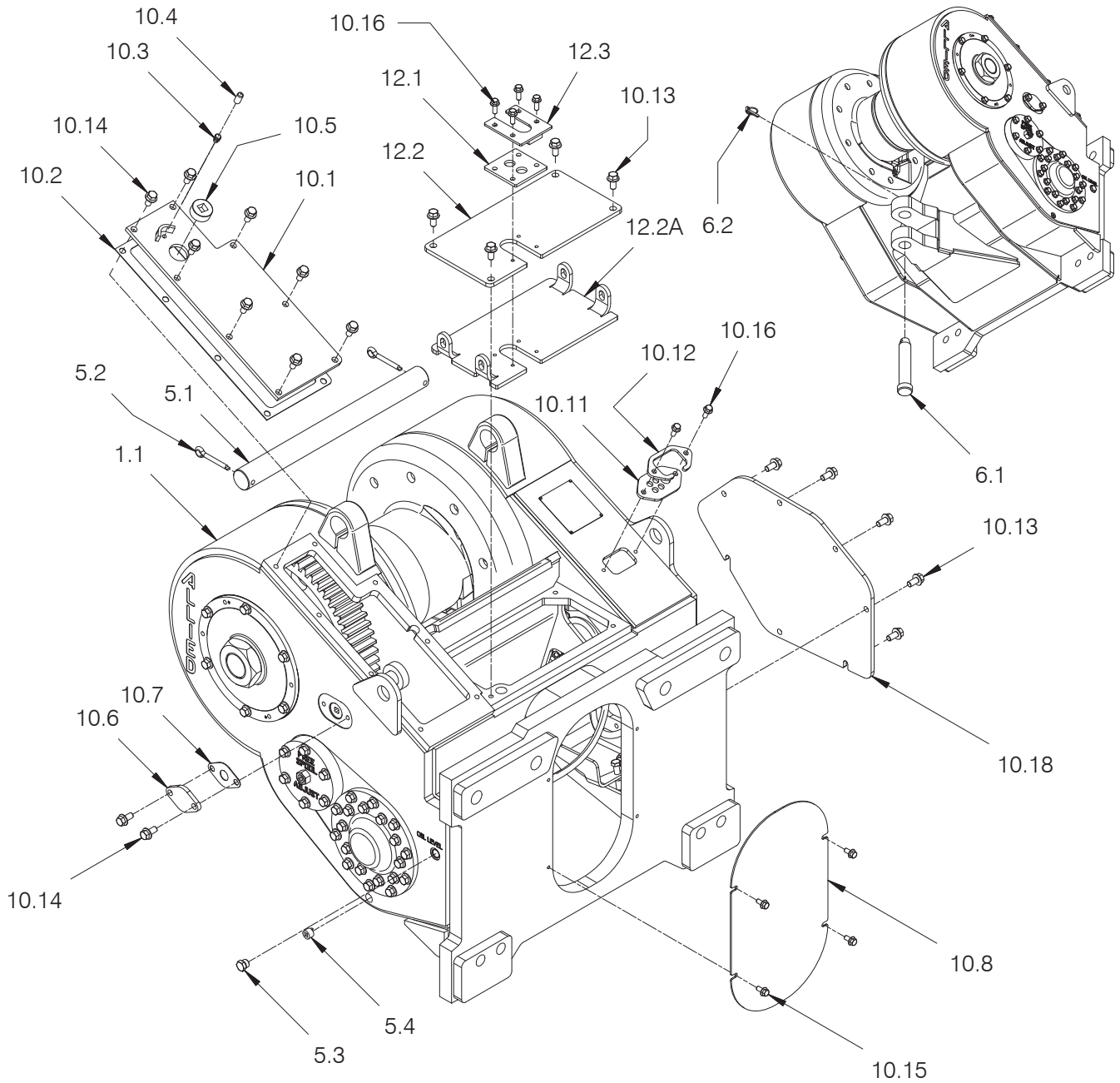


Frame/Covers

H6GH (High-Performance) Winch

Item	Part No.	Description	Qty	Item	Part No.	Description	Qty
1.1	NSS	Frame, 1-3/4" Dia Pin Drawbar	1	10.8	2306945W	Cover, Front	1
5.1	196280W	Rod, Tie	1	10.11	2307225W	Gasket, Hose Seal	1
5.2	15272W	Pin	2	10.12	2307226W	Cover	1
5.3	14595W	Fitting, O-Ring	1	10.13	398817W	Screw, Flange	11
5.4	15290W	Fitting	1	10.14	2303902W	Screw, Flange	10
6.1	95959W	Pin, Drawbar	1	10.15	399784W	Screw, Flange	4
6.2	2303221W	Pin, Retaining	1	10.16	398567W	Screw, Flange	6
10.1	2300712W	Cover, RH	1	10.18	2307693W	Cover, LH	1
10.2	2300693W	Gasket, Top Cover RH	1	11.1	2307141W	Top Plate, without Arch	1
10.3	21420W	Plug, Breather	1	11.1A	2307791W	Top Plate, with Arch	1
10.4	2300962W	Cap, Breather	1	11.2	2307110W	Plate, Top Cover, without Arch	1
10.5	15319W	Fitting	1	11.2A	2307787W	Plate, Top Cover, with Arch	1
10.6	151589W	Cover, Freespool	1	11.3	2307111W	Plate, Cover	1
10.7	151646W	Gasket, Freespool	1	11.4	2307112W	Plate, Cover	1
				11.5	2307113W	Gasket, Hose Cover	1

Frame/Covers
H6GT (Rescue) Winch



Frame/Covers

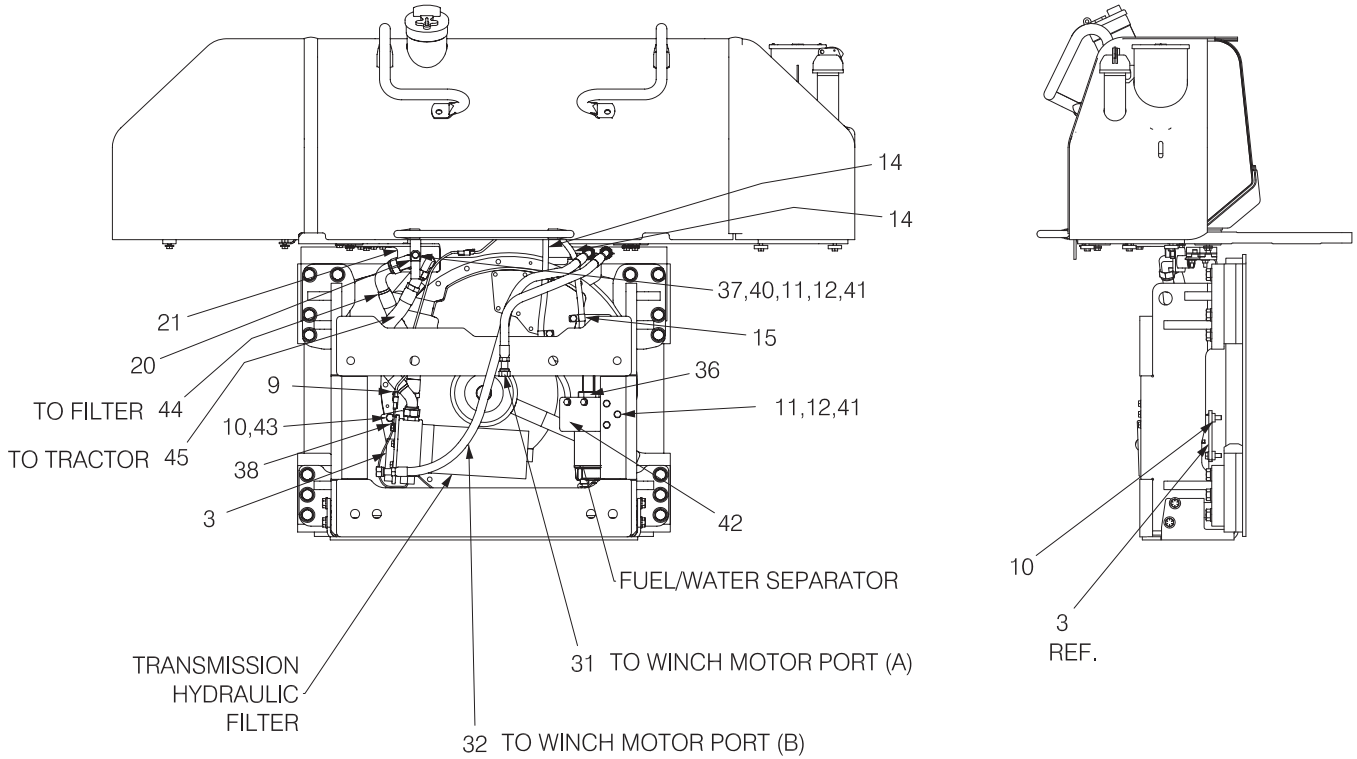
H6GT (Rescue) Winch

Item	Part No.	Description	Qty	Item	Part No.	Description	Qty
1.1	NSS	Frame	1	10.6	151589W	Cover, Freespool	1
5.1	196280W	Rod, Tie	1	10.7	151646W	Gasket, Freespool	1
5.2	15272W	Pin	2	10.8	2306945W	Cover, Front	1
5.3	14595W	Fitting, O-Ring	1	10.11	2307225W	Gasket, Hose Seal	1
5.4	15290W	Fitting	1	10.12	2307226W	Cover	1
6.1	95959W	Pin, Drawbar	1	10.13	398817W	Screw, Flange	11
6.2	2303221W	Pin, Retaining	1	10.14	2303902W	Screw, Flange	10
10.1	2300712W	Cover, RH	1	10.15	399784W	Screw, Flange	4
10.2	2300693W	Gasket, Top Cover RH	1	10.16	398567W	Screw, Flange	6
10.3	21420W	Plug, Breather	1	10.18	2307693W	Cover, LH	1
10.4	2300962W	Cap, Breather	1	12.1	2307691W	Gasket	1
10.5	15319W	Fitting	1	12.2	2307687W	Plate, Top Cover, without Arch	1
				12.2A	2307793W	Plate, Top Cover, with Arch	
				12.3	2307686W	Cover	1

Mounting Parts

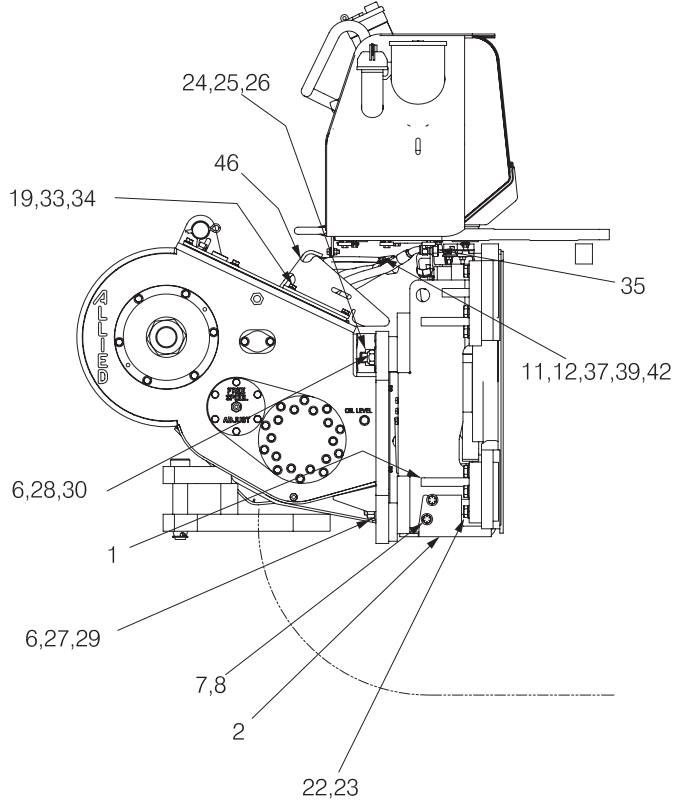
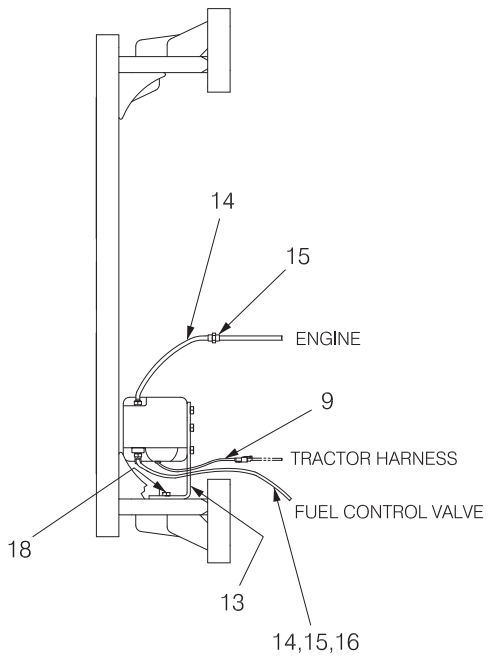
Caterpillar D6N

TRACTOR FILTER RELOCATION



FUEL/WATER SEPARATOR RELOCATION FOR TRACTORS WITH ELECTRIC PRIMER PUMP

WINCH, MTG BRACKET & GUARD INSTALLATION



Mounting Parts

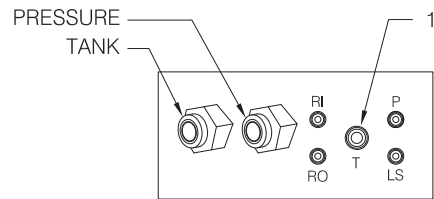
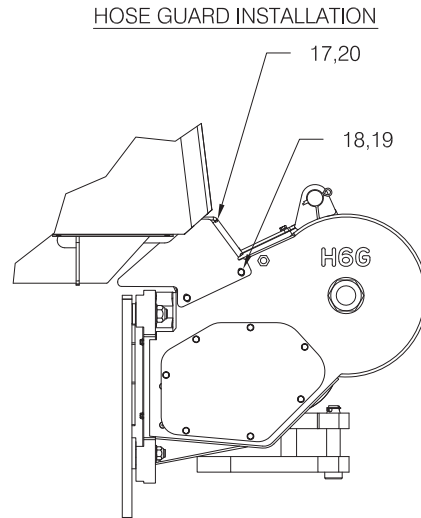
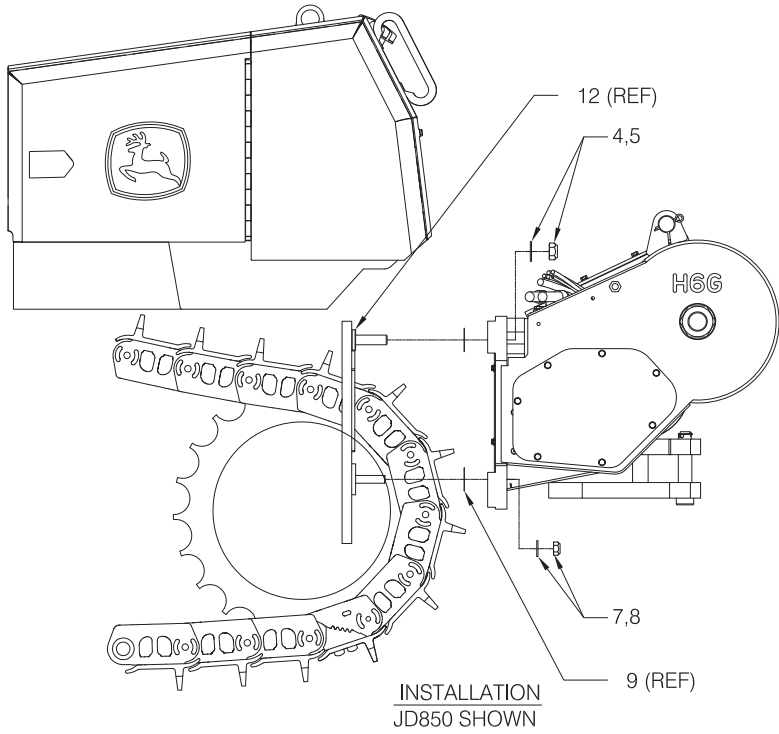
Caterpillar D6N

Item	Part No.	Description	Qty	Item	Part No.	Description	Qty
1	2307702W	Mounting Bracket, D5/6N	1	27	*a 225775	Capscrew	4
2	2305541W	Guard, Bottom	1	28	*a 259543	Stud	2
3	2307890W	Bracket, Filter	1	29	221720W	Nut	4
6	221780W	Washer	10	30	53157W	Nut	1
7	*a Y17C-1024	Capscrew	4	31	*b 2307707W	Hose Assembly	1
8	221775W	Washer	4	32	*b 2307708W	Hose Assembly	1
9	2305617W	Harness Ext., Filter	2	33	182209W	Capscrew	2
10	2307893W	Spacer	2	34	15158W	Washer	4
11	136895W	Capscrew	7	35	2307910W	Fitting	2
12	296420W	Washer	12	36	2307911W	Gasket, Fuel Primer	1
13	2306836W	Mtg Bracket, Fuel/Water Separator	1	37	209703	Clamp	2
14	*b 2306857W	Hose, Fuel	1	38	243057	Clamp	2
15	387316W	Clamp, Insulated Hose	3	39	209697	Clamp	1
16	166857W	Clamp	5	40	2307901W	Plate	1
17	2306858W	Fitting	1	41	292655W	Nut	5
18	18738W	Capscrew	2	42	2307894W	Plate, Mounting	1
19	398817W	Screw	2	43	293647W	Capscrew	2
20	2305620W	Fitting	2	44	*b 2307895W	Hose Assembly	1
21	2305588W	Bracket	1	45	*b 2307896W	Hose Assembly	1
22	*a 293710W	Capscrew	16	46	2307706W	Cover, Hose Guard	1
23	221777W	Washer	16				
24	*a 2301785W	Stud	2		*a	Use 318702W Threadlock	
25	15128W	Washer	2		*b	Included in Hose Kit 2313913	
26	221725W	Nut	2				

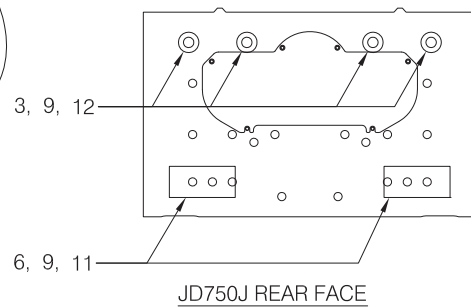
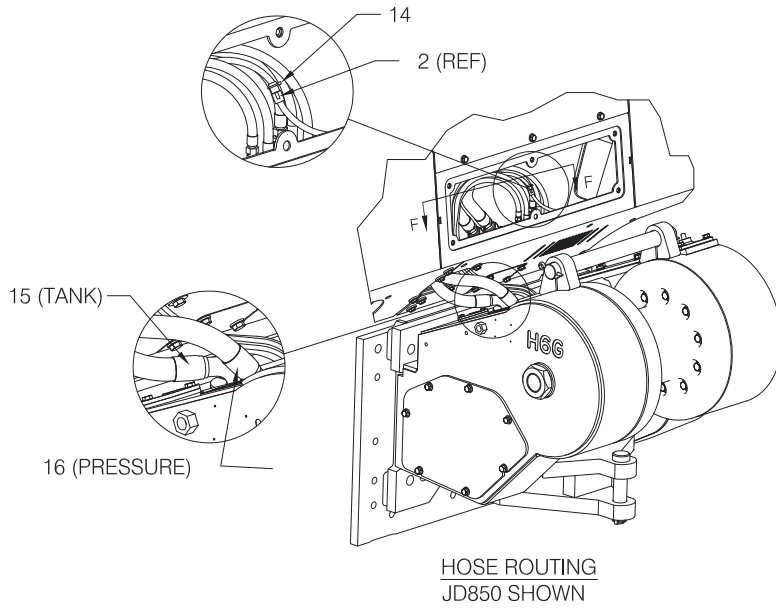
Mounting Parts

John Deere 750J

Last Used on S/N H6G-1107 (without Arch), & on S/N H6G-1108 (with Arch)



TRACTOR HYDRAULIC CONNECTIONS
(HOSES NOT SHOWN FOR CLARITY)



Mounting Parts

John Deere 750J

Last Used on S/N H6G-1107 (without Arch), & on S/N H6G-1108 (with Arch)

A - Winch without Arch (Last Used on S/N H6G-1107)

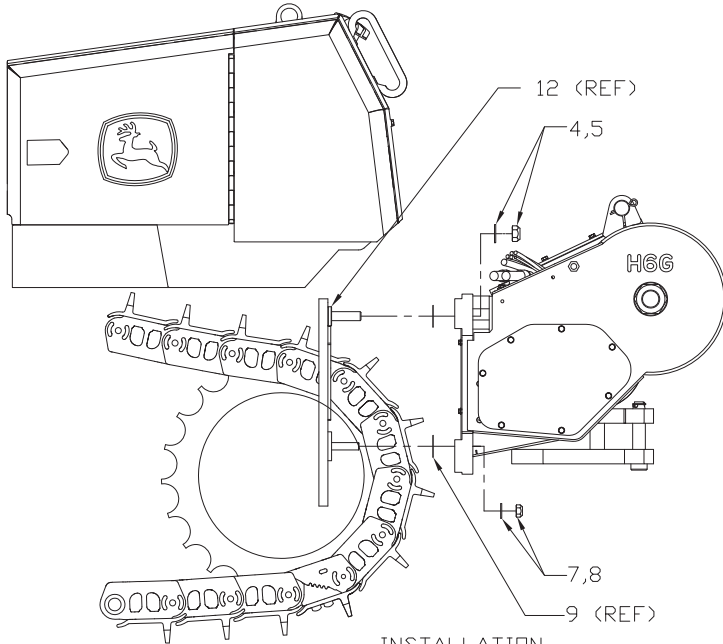
B - Winch with Arch (Last Used on S/N H6G-1108)

Item	Part No.	Description	Qty		Item	Part No.	Description	Qty	
			A	B				A	B
1	2307103W	Fitting	1	1	14	129563W	Clamp	10	10
2	2307292W	Wire Harness	1	1	15	*b 2307041W	Hose Assembly	1	1
3	*a 2301785W	Stud	4	4	16	*b 2307782W	Hose Assembly	1	1
4	221725W	Nut	4	4	17	2307116W	Cover, Hose Guard	1	--
5	15128W	Washer	4	4	17	2307798W	Hose Guard	--	1
6	*a 259543W	Stud	4	4	18	16829W	Capscrew	2	8
7	53157W	Nut	4	4	19	15158W	Washer	4	8
8	221780W	Washer	4	4	20	2307814W	Hose Guard	--	1
9	223453W	Shim, .020	AR	AR					
11	2301530W	Mounting Pad	2	2		*a Use 230064W Loctite Kit			
12	2301529W	Washer	4	4		*b Included in Hose Kit 2313914			

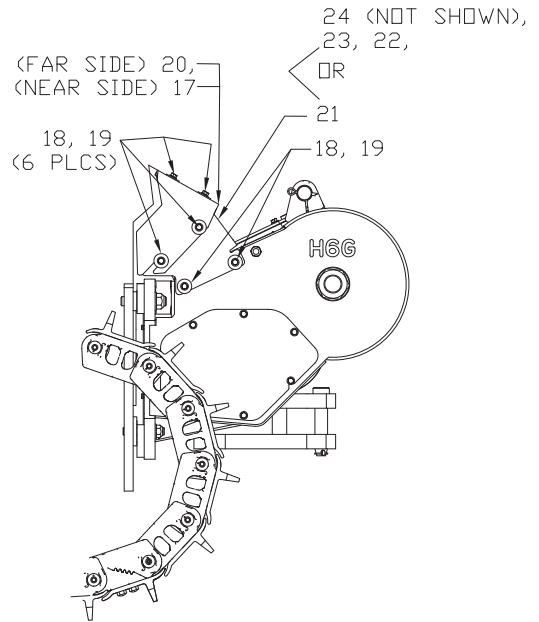
Mounting Parts

John Deere 750J

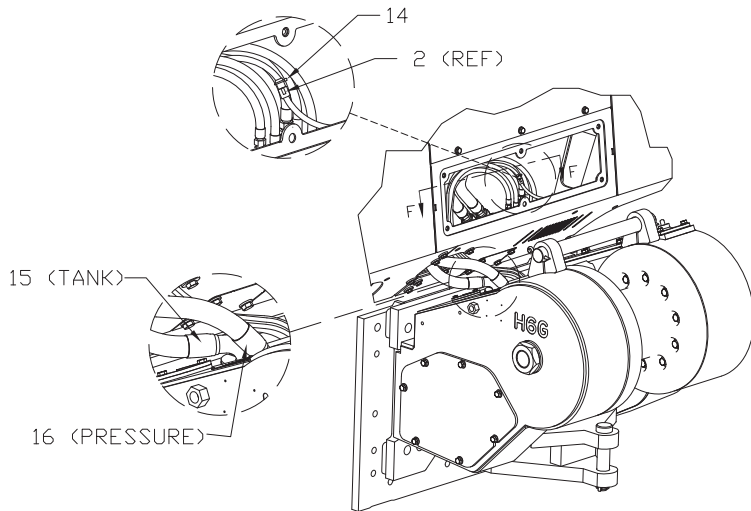
First Used on S/N H6G-1108 (without Arch), & on S/N H6G-1109 (with Arch)



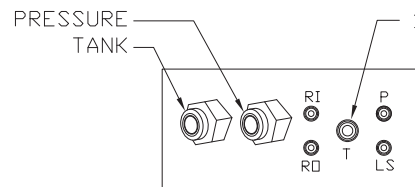
INSTALLATION
JD850 SHOWN



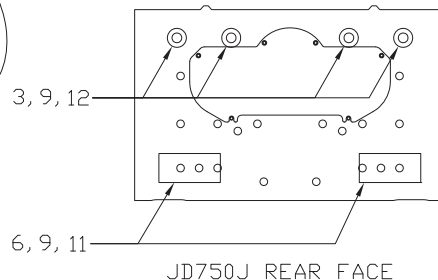
HOSE GUARD INSTALLATION
DIFFERENT TRACTOR CONFIGURATION
SHOWN WITH CAB MOVE FORWARD



HOSE ROUTING
JD850 SHOWN



TRACTOR HYDRAULIC CONNECTIONS
(HOSES NOT SHOWN FOR CLARITY)



JD750J REAR FACE

Mounting Parts

John Deere 750J

First Used on S/N H6G-1108 (without Arch), & on S/N H6G-1109 (with Arch)

A - Winch without Arch (First Used on S/N H6G-1108)

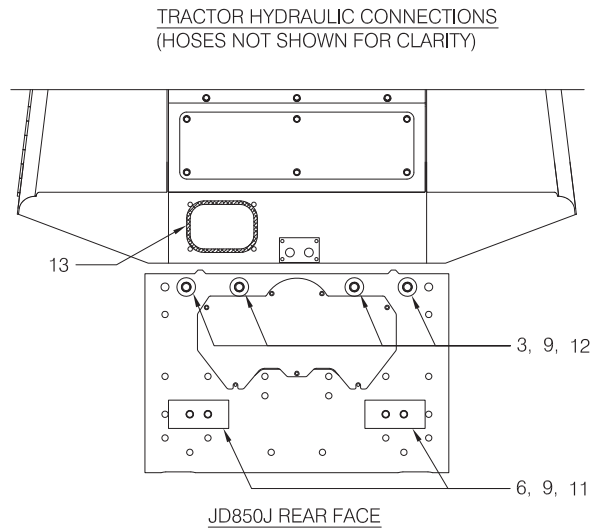
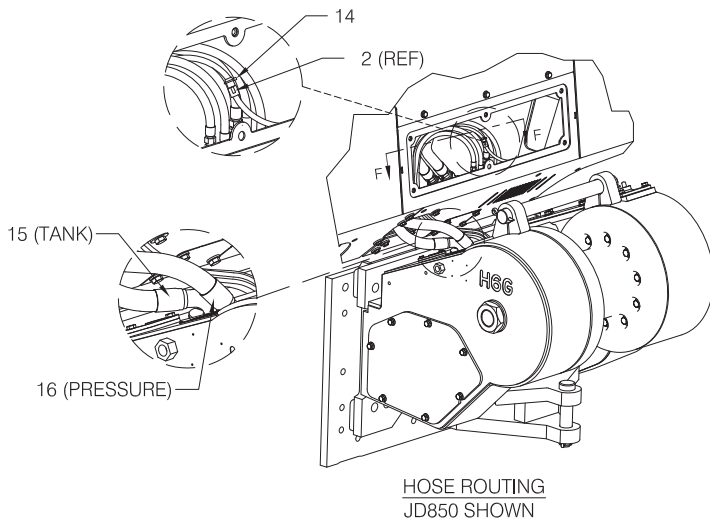
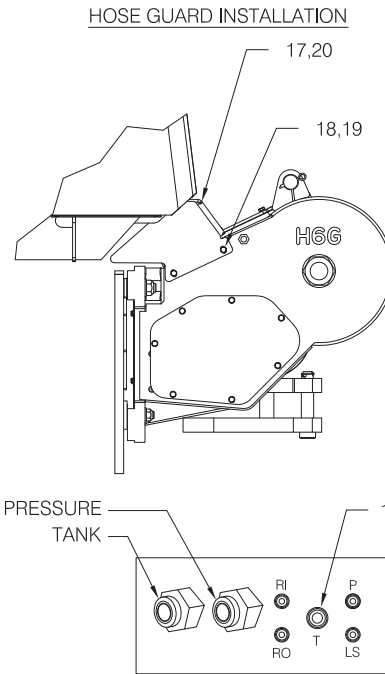
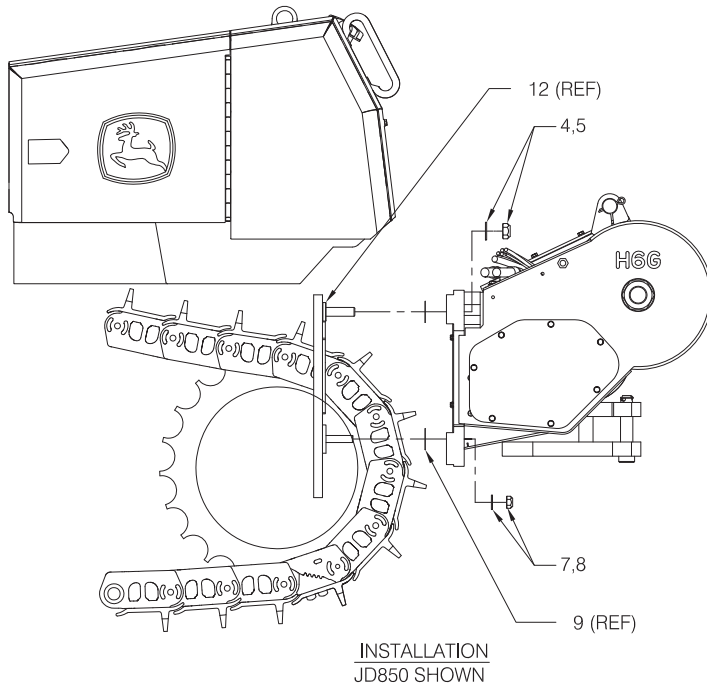
B - Winch with Arch (First Use on S/N H6G-1109)

Item	Part No.	Description	Qty		Item	Part No.	Description	Qty	
			A	B				A	B
1	2307103W	Fitting	1	1	16	*b 2307782W	Hose Assembly	1	1
2	2307292W	Wire Harness	1	1	17	2310208	Cover, Hose	1	1
3	*a 2301785W	Stud	4	4	18	1314566W	Screw	8	8
4	221725W	Nut	4	4	19	2305715W	Washer	8	8
5	15128W	Washer	4	4	20	2310331	Cover, Hose	1	1
6	*a 259543W	Stud	4	4	21	2310209	Cover, Hose Guard	1	--
7	53157W	Nut	4	4	22	2307798W	Hose Guard	--	1
8	221780W	Washer	4	4	23	2310225	Cover, Hose Guard	--	1
9	223453W	Shim, .020	AR	AR	24	398820W	Screw	--	6
11	2301530W	Mounting Pad	2	2					
12	2301529W	Washer	4	4		*a	Use 230064W Loctite Kit		
14	129563W	Clamp	10	10		*b	Included in Hose Kit 2313914		
15	*b 2307041W	Hose Assembly	1	1					

Mounting Parts

John Deere 850J

Last Used on S/N H6G-1107 (without Arch), & on S/N H6G-1108 (with Arch)



Mounting Parts

John Deere 850J

Last Used on S/N H6G-1107 (without Arch), & on S/N H6G-1108 (with Arch)

A - Winch without Arch (Last Used on S/N H6G-1107)

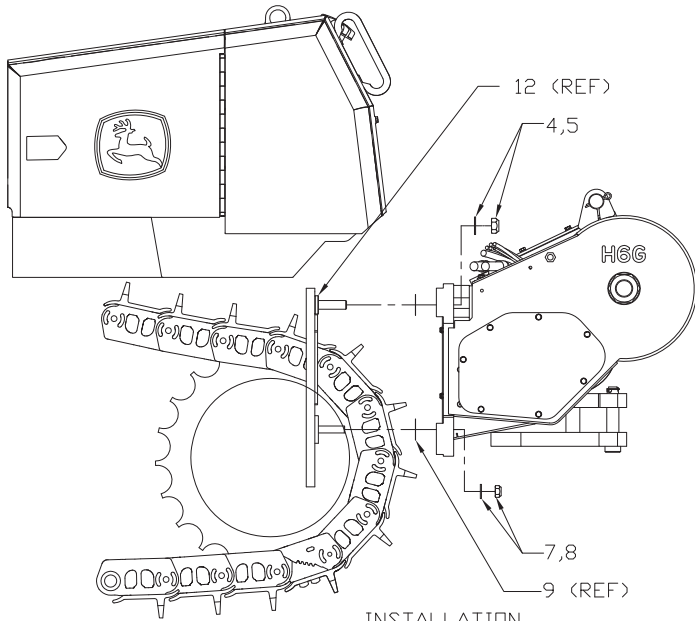
B - Winch with Arch (Last Used on S/N H6G-1108)

Item	Part No.	Description	Qty		Item	Part No.	Description	Qty	
			A	B				A	B
1	2307103W	Fitting	1	1	14	129563W	Clamp	10	10
2	2307292W	Wire Harness	1	1	15	*b 2307041W	Hose Assembly	1	1
3	*a 2301785W	Stud	4	4	16	*b 2307782W	Hose Assembly	1	1
4	221725W	Nut	4	4	17	2307116W	Cover, Hose Guard	1	--
5	15128W	Washer	4	4	17	2307798W	Hose Guard	--	1
6	*a 259543W	Stud	4	4	18	16829W	Capscrew	2	8
7	53157W	Nut	4	4	19	15158W	Washer	4	8
8	221780W	Washer	4	4	20	2307814W	Hose Guard	--	1
9	223453W	Shim, .020	AR	AR					
11	2301530W	Mounting Pad	2	2		*a Use 230064W Loctite Kit			
12	2301529W	Washer	4	4		*b Included in Hose Kit 2313914			
13	225871	Trim	AR	AR					

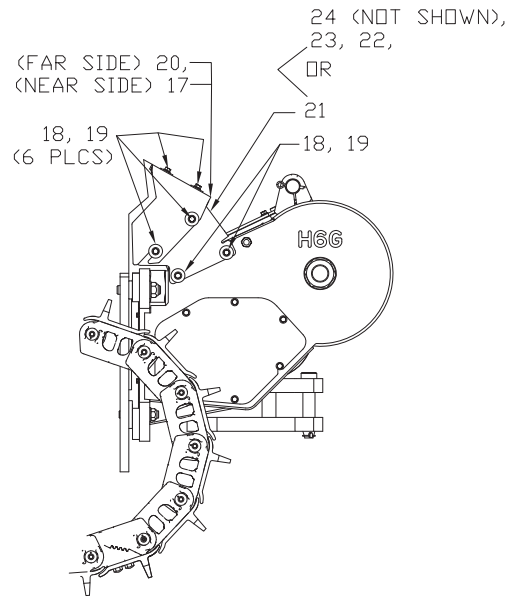
Mounting Parts

John Deere 850J

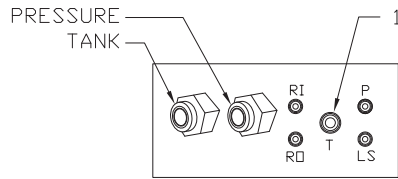
First Used on S/N H6G-1108 (without Arch), & on S/N H6G-1109 (with Arch)



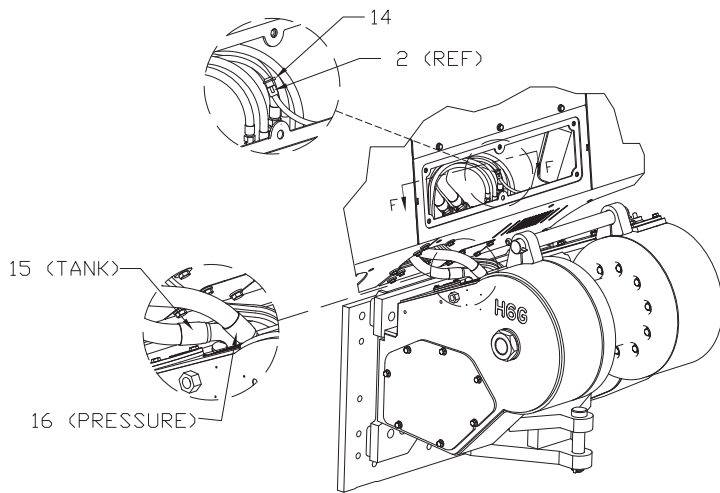
INSTALLATION
JD850 SHOWN



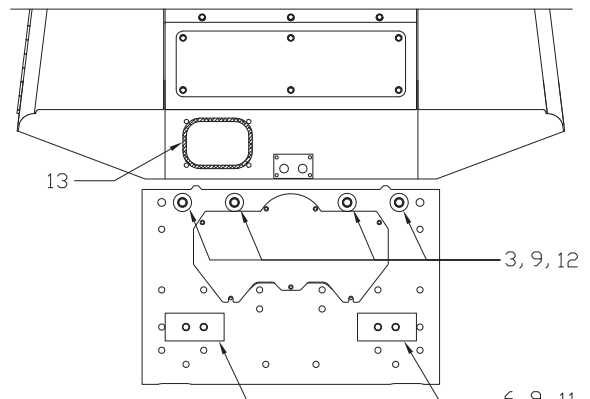
HOSE GUARD INSTALLATION
DIFFERENT TRACTOR CONFIGURATION
SHOWN WITH CAB MOVE FORWARD



TRACTOR HYDRAULIC CONNECTIONS
(HOSES NOT SHOWN FOR CLARITY)



HOSE ROUTING
JD850 SHOWN



JD850J REAR FACE

Mounting Parts

John Deere 850J

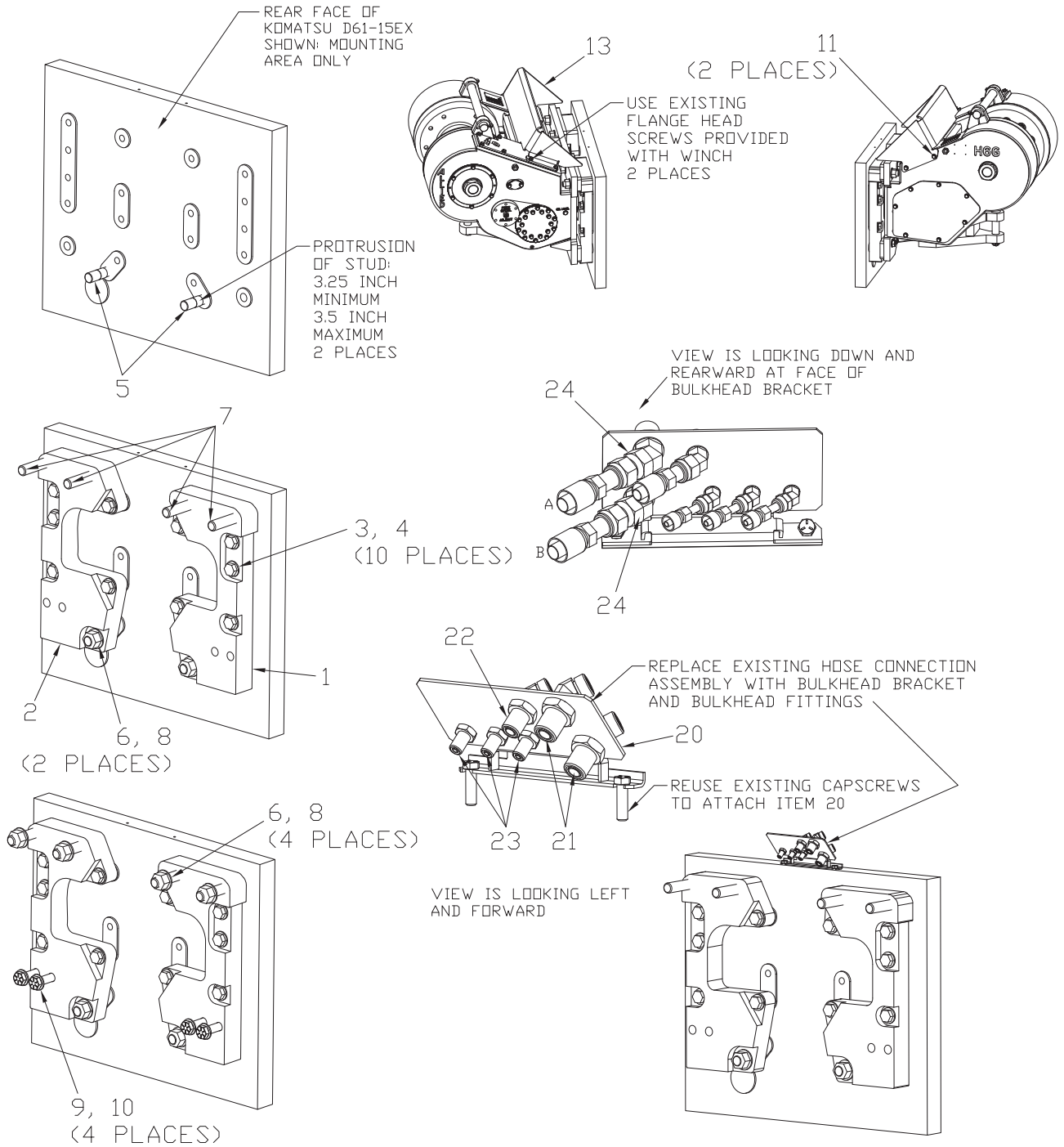
First Used on S/N H6G-1108 (without Arch), & on S/N H6G-1109 (with Arch)

A - Winch without Arch (First Used on S/N H6G-1108)

B - Winch with Arch (First Used on S/N H6G-1109)

Item	Part No.	Description	Qty		Item	Part No.	Description	Qty	
			A	B				A	B
1	2307103W	Fitting	1	1	15	*b 2307041W	Hose Assembly	1	1
2	2307292W	Wire Harness	1	1	16	*b 2307782W	Hose Assembly	1	1
3	*a 2301785W	Stud	4	4	17	2310208	Cover, Hose	1	1
4	221725W	Nut	4	4	18	1314566W	Screw	8	8
5	15128W	Washer	4	4	19	2305715W	Washer	8	8
6	*a 259543W	Stud	4	4	20	2310331	Cover, Hose	1	1
7	53157W	Nut	4	4	21	2310209	Cover, Hose Guard	1	--
8	221780W	Washer	4	4	22	2307798W	Hose Guard	--	1
9	223453W	Shim, .020	AR	AR	23	2310225	Cover, Hose Guard	--	1
11	2301530W	Mounting Pad	2	2	24	398820W	Screw	--	6
12	2301529W	Washer	4	4					
13	225871	Trim	AR	AR		*a	Use 230064W Loctite Kit		
14	129563W	Clamp	10	10		*b	Included in Hose Kit 2313914		

Mounting Parts
 Komatsu D61EX-15
 First Used on S/N H6GT-1092

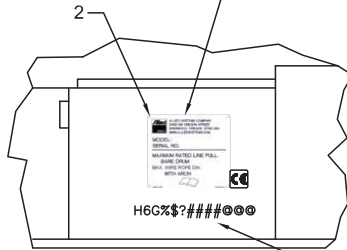


Mounting Parts
 Komatsu D61EX-15
 First Used on S/N H6GT-1092

Item	Part No.	Description	Qty	Item	Part No.	Description	Qty
1	2310500	Mounting Bracket, Kom D61-RH	1	11	398817W	Flange Screw	2
2	2310501	Mounting Bracket, Kom D61-LH	1	13	2310610	Hose Guard	1
3	*a 296434W	Washer	10	20	2310580	Bracket, Bulkheads	1
4	*a 293729W	Capscrew	10	21	272-0351	Bulkhead	2
5	*a 2306298W	Stud	2	22	272-0350	Bulkhead	1
6	15128W	Washer	6	23	272-0348	Bulkhead	3
7	*a 2301140W	Stud	4	24	2307103W	Fitting	2
8	221725W	Nut	6				
9	221780W	Washer	4		*a	Use 318702W Thread Lock	
10	221701W	Capscrew	4				

Nameplate & Decals

CONTACT ALLIED SYSTEMS WINCH DEPARTMENT IF THE NAMEPLATE IS BROKEN.

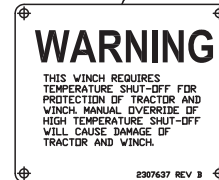
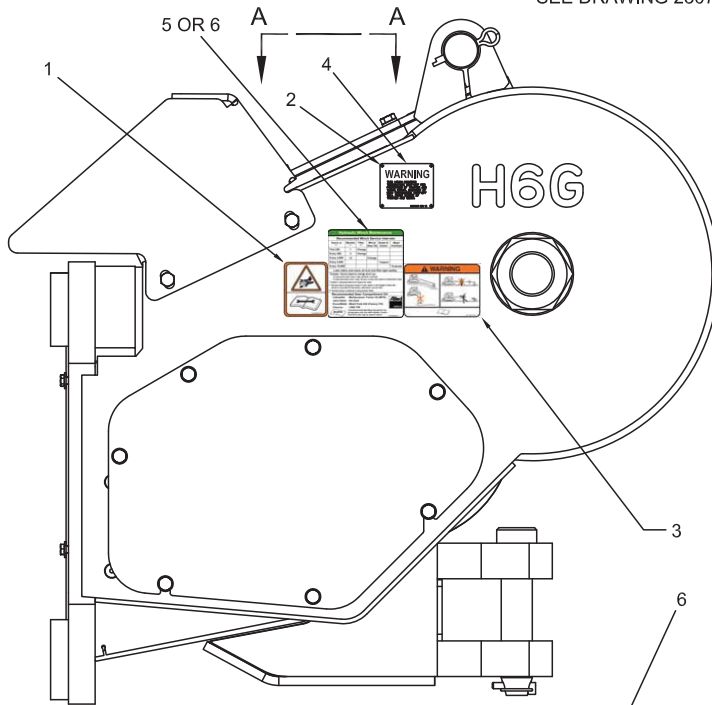


CONTACT ALLIED SYSTEMS WINCH DEPARTMENT IF CE CONFORMITY STAMP IS REQUIRED. THE CE STAMP WILL BE SPECIFIED ON THE SALES ORDER TO INCLUDE THIS DECAL (P/N 2311557) AND STAMP YEAR IN NAMEPLATE.



VIEW A-A

STAMP NAMEPLATE AND FRAME AS SHOWN
 % = HYDRAULIC OPERATION TYPE
 \$ = GEAR RATIO CODE
 ? = INTERNAL OPTIONS
 ##### = SEQUENCE NUMBER
 @@@ = VEHICLE CODE
 SEE DRAWING 2307540W



Hydraulic Winch Maintenance

Hours or Months	Filter	Winch Gear Oil	Brake & Clutch	Major Overhaul
First 250	1 Change			
Every 500	3 Change			
Every 2,000	12 Change			
Every 5,000			* Inspect	
Every 10,000				* Evaluate

Lube rollers and check oil level and filter light weekly.

* Evaluate = Service based on average winch use:
 - if used more than once a day, perform overhaul.
 - if used less than once a day, remove covers and check to determine need.

* Inspect = disassemble and inspect for wear.

** Service winch using the tractor's hour meter or the length of time the winch is mounted to the tractor, whichever occurs first.

*** Follow tractor schedule if using tractor filter.

Recommended Gear Compartment Oil:
 Caterpillar -TO-4
 Chevron -Drive Train Fluids HD
 ExxonMobil -Mobiltrans HD Series

Consult service/operating manual for low temperature oils and other details. Use of non-recommended oil may void warranty.



Hydraulic Winch Maintenance

Hours or Months	Filter	Winch Gear Oil	Brake & Clutch	Major Overhaul
First 250	1 Change			
Every 500	3 Change			
Every 2,000	12 Change			
Every 5,000			* Inspect	
Every 10,000				* Evaluate

Lube rollers and check oil level and filter light weekly.

* Evaluate = Service based on average winch use:
 - if used more than once a day, perform overhaul.
 - if used less than once a day, remove covers and check to determine need.

* Inspect = disassemble and inspect for wear.

** Service winch using the tractor's hour meter or the length of time the winch is mounted to the tractor, whichever occurs first.

*** Follow tractor schedule if using tractor filter.

Recommended Gear Compartment Oil:
 Caterpillar -Multipurpose Tractor Oil (MTO)
 John Deere -Hy-Gard
 ExxonMobil -Mobil Fluid 424 (Factory Fill)
 Chevron -1000 THF

Consult service/operating manual for low temperature oils and other details. Tractor final drive oils may be used in winch.

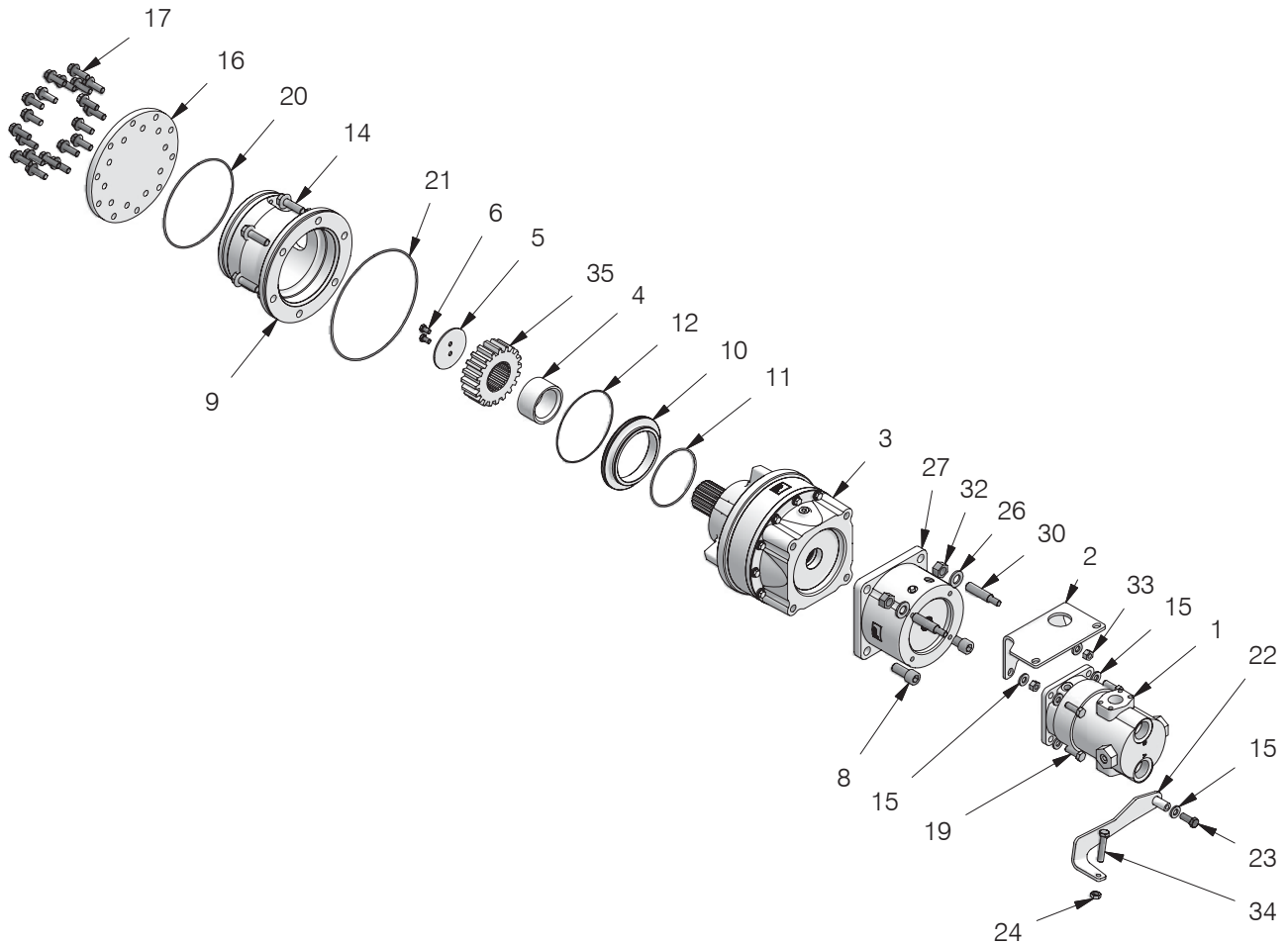


Item	Part No.	Description	Qty	Item	Part No.	Description	Qty
1	1321665W	Decal, Warning	1	4	2307637W	Plate, Warning	1
2	16602W	Screw	8	5	2310796	Decal, Maintenance (H6G**B)	1
3	2311330	Decal, Load & Wire Rope	1	6	2311329	Decal, Maintenance (H6G**E)	1

Gear/Shaft Train

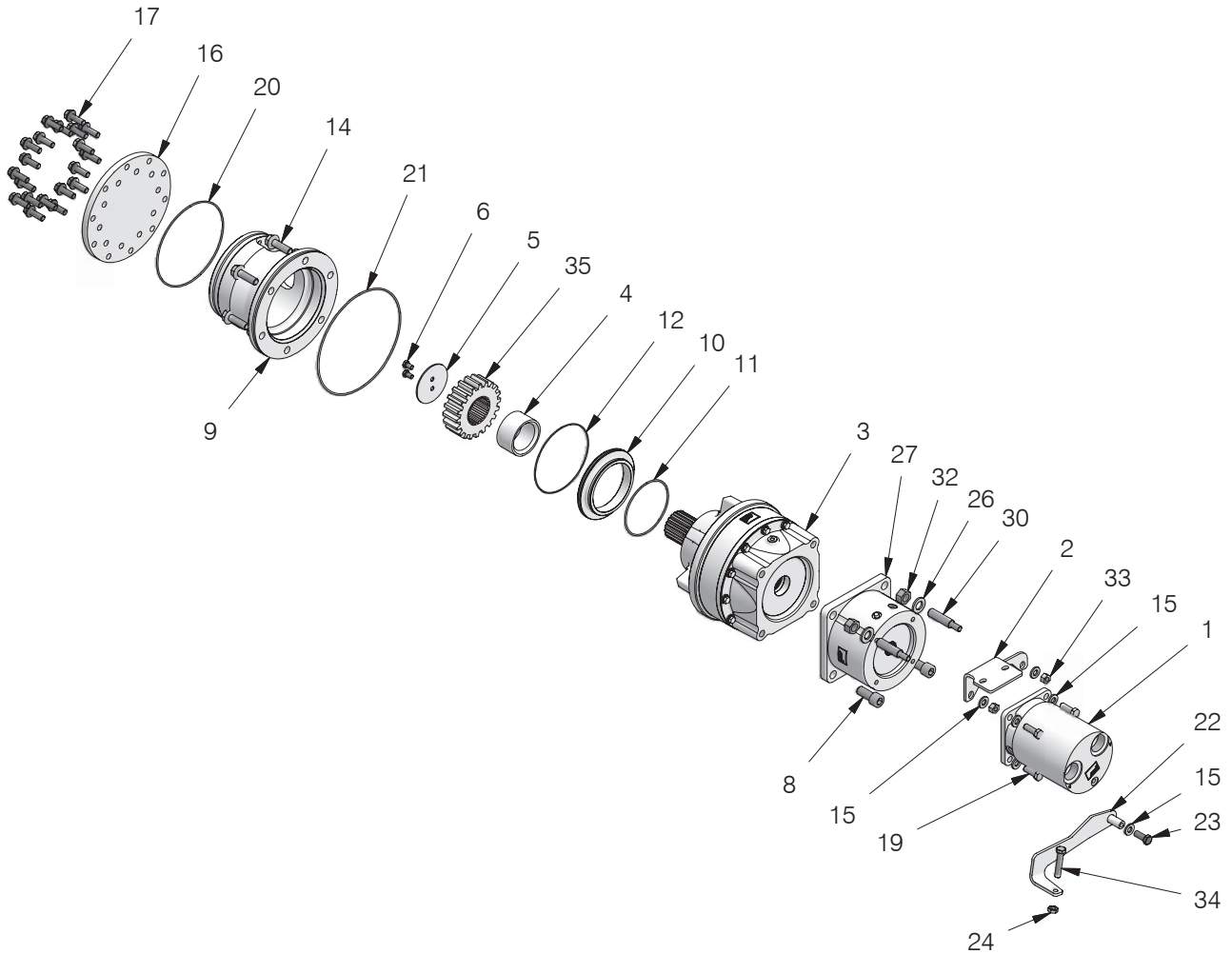
Brake, Dry Disc	2-5
Clutch Assembly	2-7
Clutch Shaft Assembly	2-6
Motor Shaft - H6GH (High-Performance) Winch	2-2
Motor Shaft - H6GT (Rescue) Winch	2-3
Reducer, Planetary	2-4
Shaft - Drum	2-8
Shaft - Intermediate Gear	2-9

Motor Shaft - H6GH (High-Performance) Winch



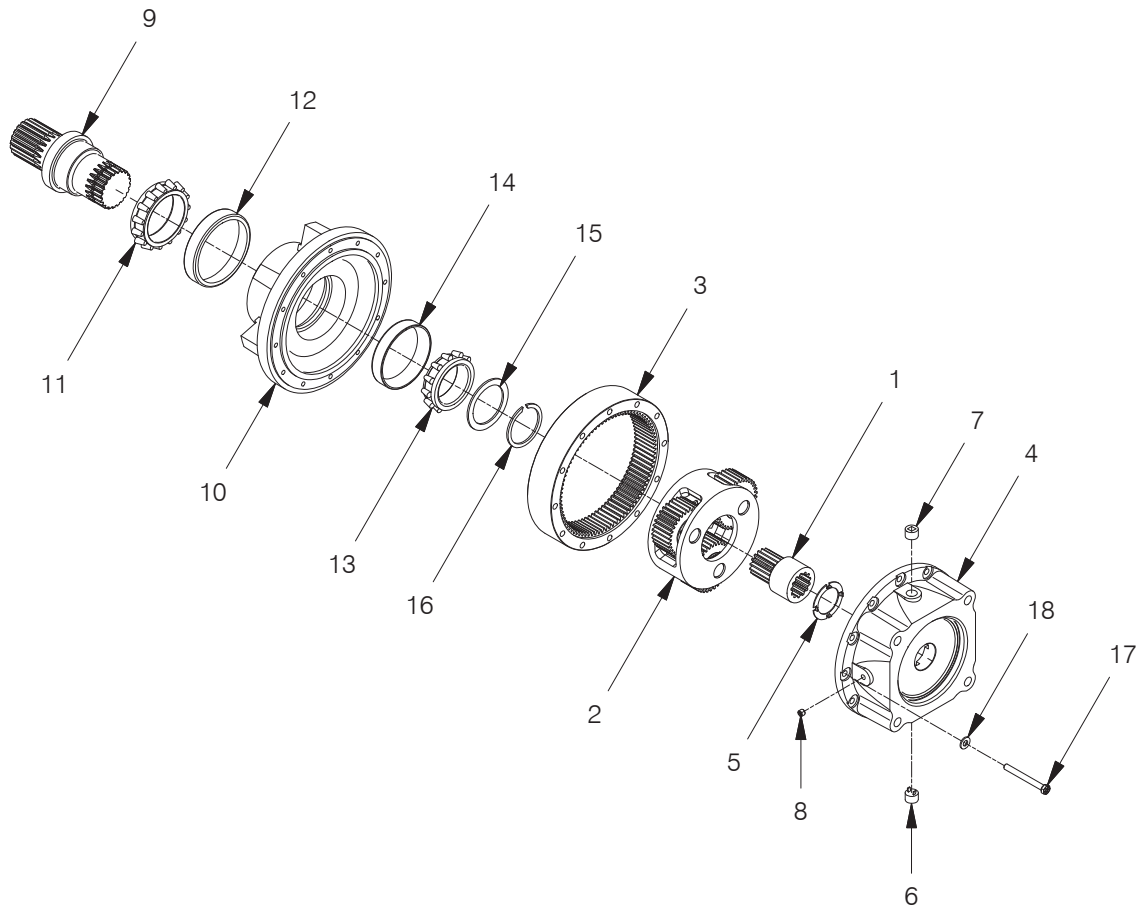
Item	Part No.	Description	Qty	Item	Part No.	Description	Qty
1	2306938W	Motor, Two-Speed (See p. 3-11)	1	17	2303898W	Screw	20
2	2307092W	Plate, Manifold Bracket	1	19	200454W	Capscrew	4
3	2307642W	Planetary Reducer Assy (See p. 2-4)	1	20	16783W	O-Ring	1
4	2307430W	Spacer	1	21	14718W	O-Ring	1
5	2307431W	Gear Retainer	1	22	2306956W	Bracket	1
6	18535W	Capscrew	2	23	16830W	Capscrew	1
8	245862W	Capscrew	2	24	15011W	Nut	1
9	2306927W	Reducer, Mounting	1	26	221777W	Washer	2
10	2306936W	Seal Ring	1	27	2307646W	Brake, Dry Disk (see p. 2-5)	1
11	15892W	O-Ring	1	30	2307125W	Stud	2
12	182752W	O-Ring	1	32	221716W	Nut	2
14	1314454W	Screw	6	33	221711W	Nut	2
15	221771W	Washer	7	34	2307666W	Capscrew	1
16	2306937W	Plate, Motor Shaft Mounting	1				

Motor Shaft - H6GT (Rescue) Winch



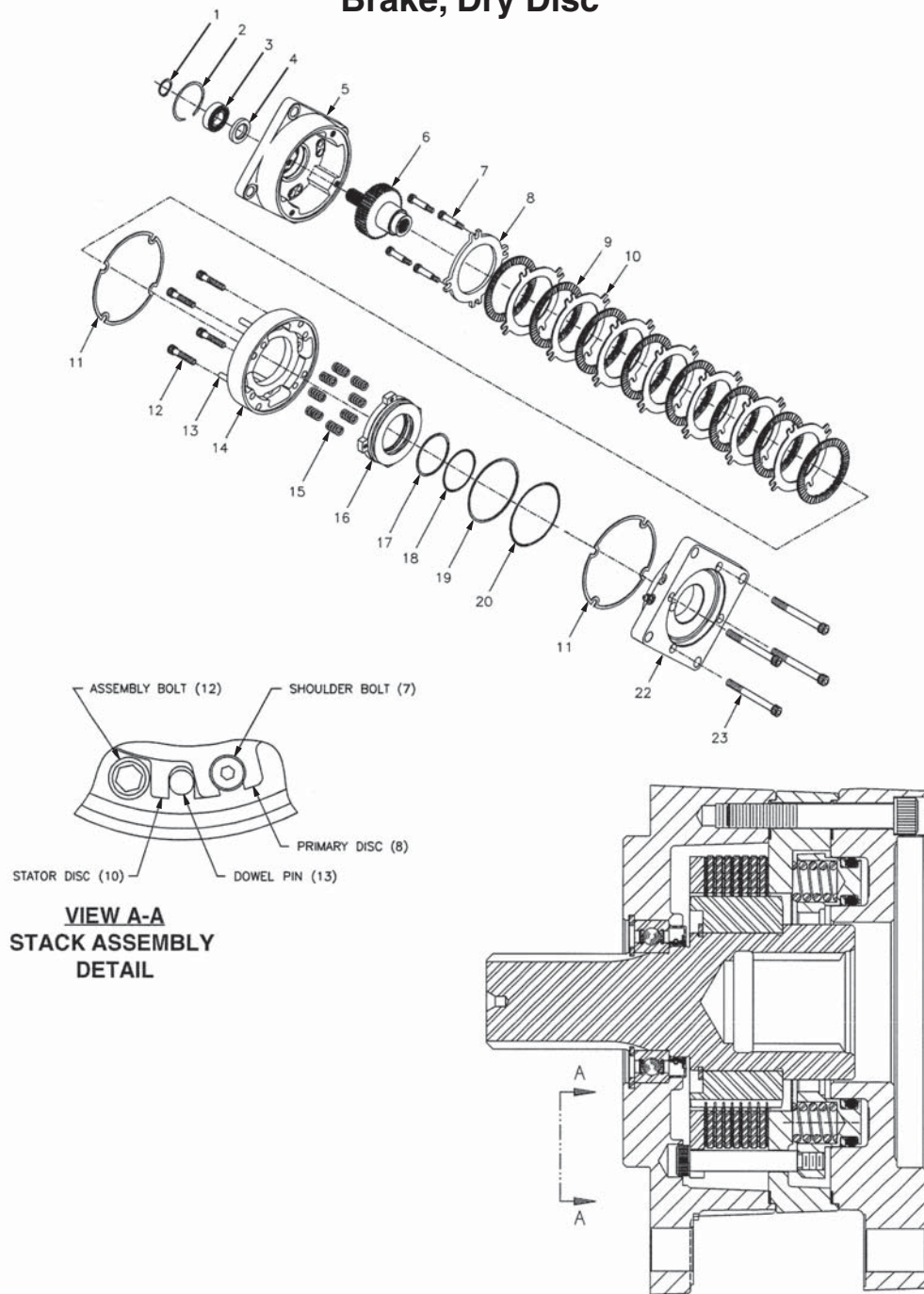
Item	Part No.	Description	Qty	Item	Part No.	Description	Qty
1	2307694W	Motor, One-Speed (See p. 3-10)	1	17	2303898W	Screw	20
2	2307677W	Plate, Manifold Bracket	1	19	200454W	Capscrew	4
3	2307642W	Planetary Reducer Assy (See p. 2-4)	1	20	16783W	O-Ring	1
4	2307430W	Spacer	1	21	14718W	O-Ring	1
5	2307431W	Gear Retainer	1	22	2306956W	Bracket	1
6	18535W	Capscrew	2	23	16830W	Capscrew	1
8	245862W	Capscrew	2	24	15011W	Nut	1
9	2306927W	Reducer, Mounting	1	26	221777W	Washer	2
10	2306936W	Seal Ring	1	27	2307646W	Brake, Dry Disk (see p. 2-5)	1
11	15892W	O-Ring	1	30	2307125W	Stud	2
12	182752W	O-Ring	1	32	221716W	Nut	2
14	1314454W	Screw	6	33	221711W	Nut	2
15	221771W	Washer	7	34	2307666W	Capscrew	1
16	2306937W	Plate, Motor Shaft Mounting	1				

Reducer, Planetary



Item	Part No.	Description	Qty	Item	Part No.	Description	Qty
	2307642W	Planetary Reducer	1				
1	2312271	. Gear, Sun	1	12	*a 225336	. Cup, Bearing	1
2	2312273	. Assembly, Carrier	1	13	*a 225339	. Cone, Bearing	1
3	2312275	. Gear, Ring	1	14	*a 225338	. Cup, Bearing	1
4	2312276	. Cover	1	15	228886	. Washer	1
5	2312277	. Washer	1	16	*a 238209	. Kit, Retaining Ring	1
6	15290W	. Fitting	1	17	R13811045	. Capscrew	12
7	15315W	. Fitting	1	18	221767	. Washer	12
8	15483W	. Fitting	1	19	*a 313022W	. HCE-98 Adhesive	1
9	25414	. Shaft	1				
10	2312279	. Hub	1		*a	Included in Reducer Rebuild Kit 2307249W	
11	*a 225335	. Cone, Bearing	1				

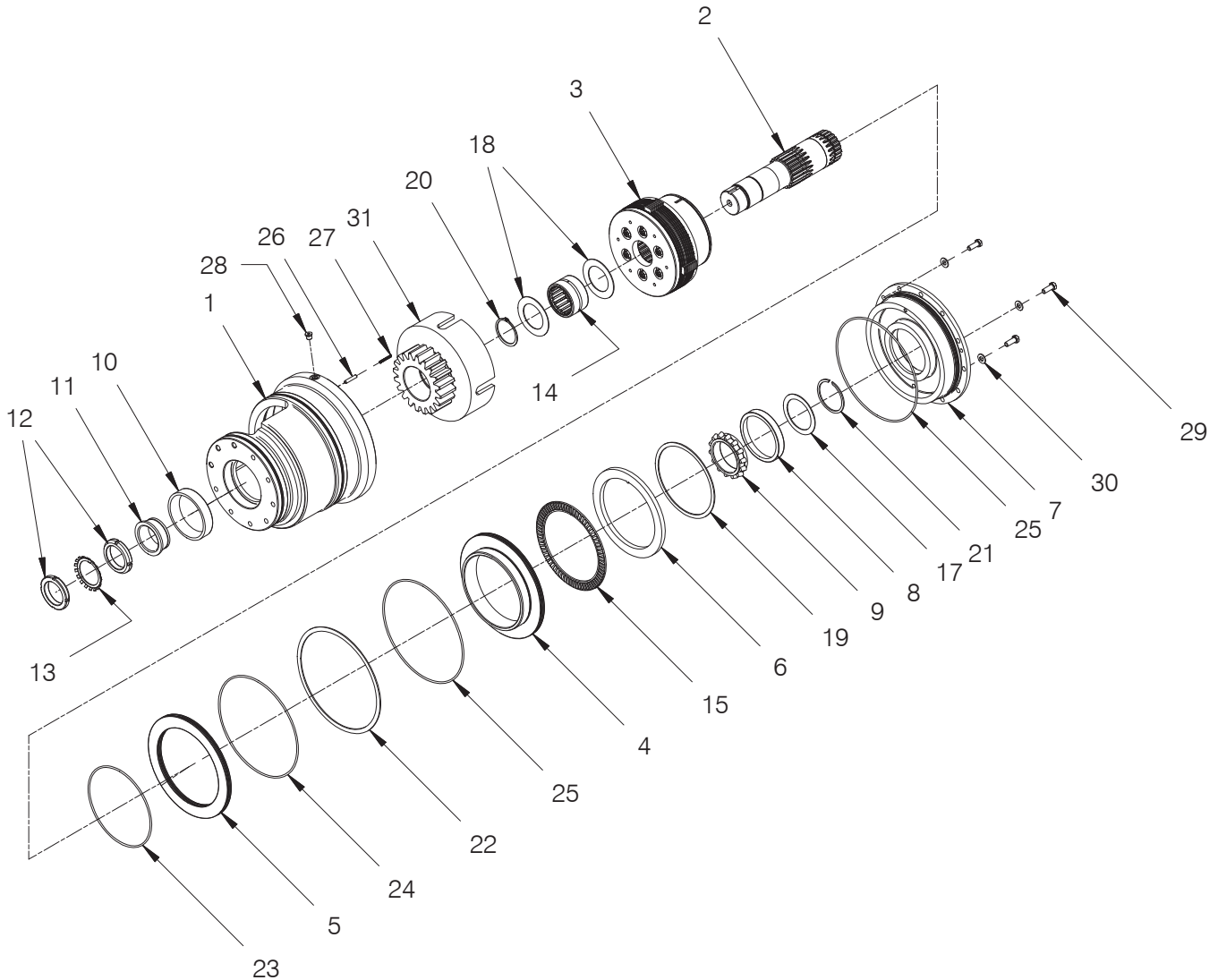
Brake, Dry Disc



**VIEW A-A
STACK ASSEMBLY
DETAIL**

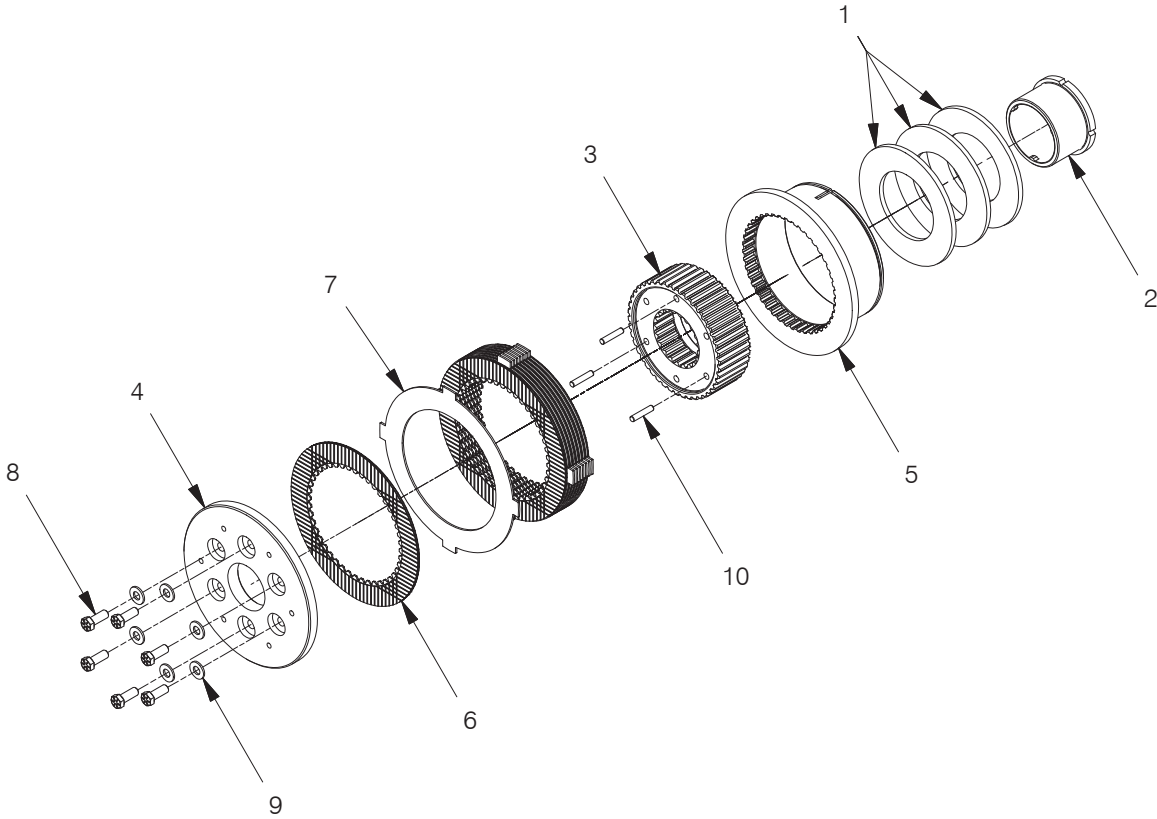
Item	Part No.	Description	Qty	Item	Part No.	Description	Qty
	2307646W	Brake, Dry Disc	1				
	2306910W	.. Brake, Dry Disc	1	14	NSS	.. Spring Plate	1
1	NSS	.. Retaining Ring	1	15	*d	NSS	.. Spring, Red
2	NSS	.. Retaining Ring	1	16	NSS	.. Piston	10
3	*c	NSS	1	17	*b	NSS	.. Backup Ring
4	*b*c	NSS	1	18	*b	NSS	.. O-Ring
5	NSS	.. Cover Plate	1	19	*b	NSS	.. Backup Ring
6	NSS	.. Spline Shaft Assembly	1	20	*b	NSS	.. O-Ring
7	NSS	.. Bolt	4	22	NSS	.. Pressure Plate	1
8	*a	NSS	1	23	NSS	.. Capscrew	4
9	*a	NSS	8		*a	Included in Lining Kit 250847	
10	*a	NSS	7		*b	Included in O-Ring Kit 250848	
11	*a*b*c*d	NSS	2		*c	Included in Bearing Kit 250849	
12	NSS	.. Capscrew	4		*d	Included in Spring Kit 250850	
13	NSS	.. Dowel Pins	4				

Clutch Shaft Assembly



Item	Part No.	Description	Qty	Item	Part No.	Description	Qty
1	2311656	Housing, Clutch	1	18	2311687	Shim, .062	2
2	2311638	Shaft, Clutch	1	19	2311683	Snap Ring, External	1
3	2311653	Assembly, Clutch (Page 2-7)	1	20	12963W	Snap Ring, External	1
4	2311644	Piston, Clutch	1	21	2311684	Snap Ring, External	1
5	2311645	Ring, Seal	1	22	2311685	Snap Ring, Internal	1
6	2312442	Ring, Thrust	1	23	87287W	O-Ring	1
6	*a 2311646	Ring, Thrust	1	24	2311682	O-Ring	1
7	2311649	Support, Bearing	1	25	86585W	O-Ring	2
8	137153W	Cup, Roller Bearing	1	26	239147W	Pin	1
9	137155W	Cone, Roller Bearing	1	27	2303992W	Spring	1
10	2300668W	Cup, Roller Bearing	1	28	235387	Fitting	1
11	2300673W	Cone, Roller Bearing	1	29	Y17C-0616	Capscrew	3
12	33657W	Locknut, Bearing	2	30	221767W	Washer	3
13	33656W	Lockwasher, Bearing	1	31	2311647	Gear, Spider	1
14	230407W	Bearing	1				
15	2311655	Bearing	1				
17	2311686	Washer	1				
				*a	Only Used on S/N H6G-1090		

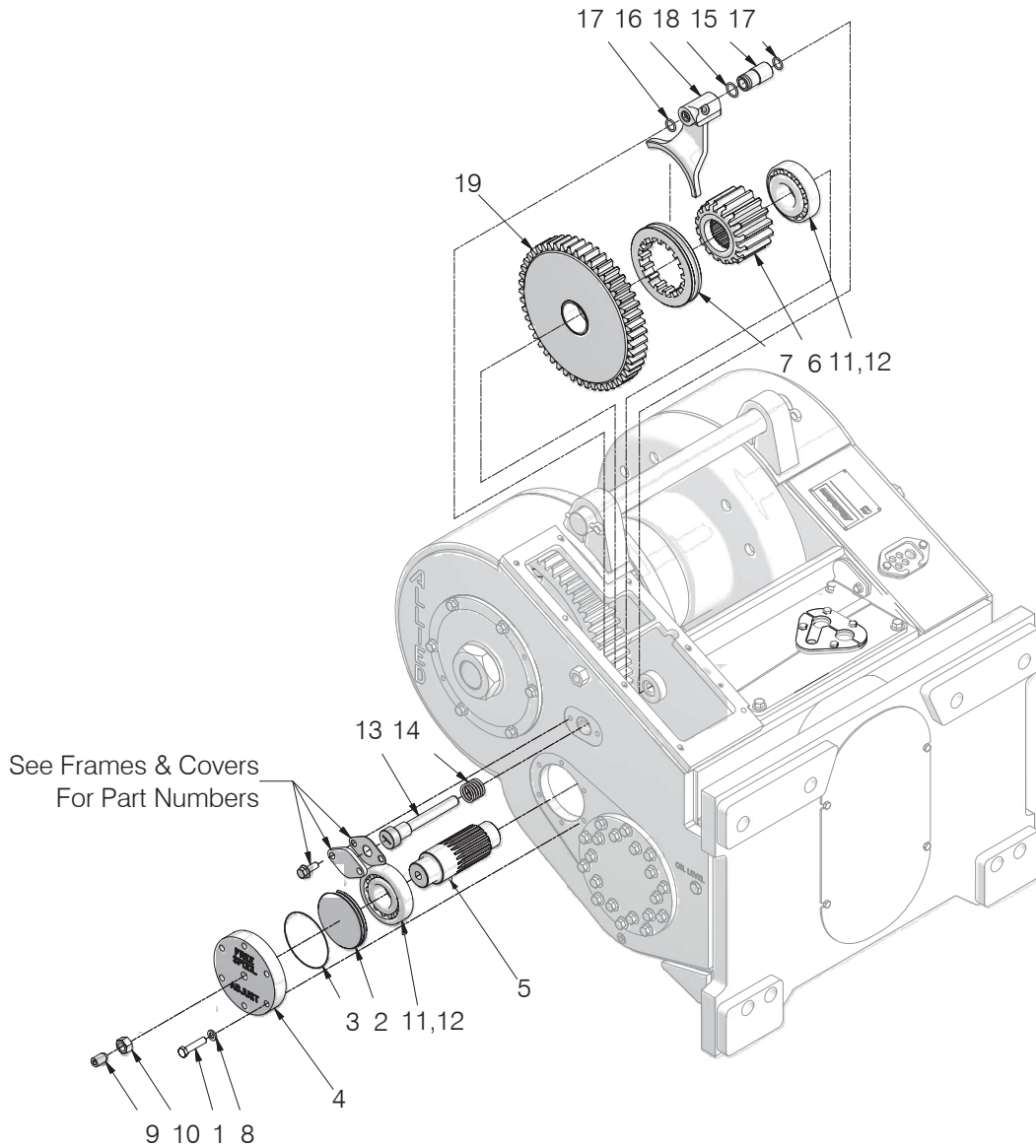
Clutch Assembly



Item	Part No.	Description	Qty	Item	Part No.	Description	Qty
	2311653	Clutch Assembly	1				
1	2311251	. Spring, Belleville	3	7	2311714	. Plate, Separator	8
2	2312029	. Retainer, Spring	1	8	Y17C-0616	. Capscrew	6
3	2311634	. Hub, Clutch	1	9	221767W	. Washer	6
4	2311639	. Plate, Reaction	1	10	239147W	. Pin	3
5	2312441	. Plate, Pressure	1				
5	*a 2311642	. Plate, Pressure	1		*a	Only Used on S/N H6G-1090	
6	2311713	. Disc, Friction	9				

Shaft - Intermediate Gear

With Freespool



A - 60:1 Gear Ratio
 B - 75:1 Gear Ratio

Item	Part No.	Description	Qty		Item	Part No.	Description	Qty	
			A	B				A	B
1	2302626W	Capscrew	6	6	12	30059W	Bearing Cup	2	2
2	2302624W	Piston Adjust	1	1	13	*a 2305098W	Freespool Shaft	1	1
3	159940W	O-Ring	1	1	14	2305096W	Spring	1	1
4	2302625W	Housing, Freespool Adj.	1	1	15	2305097W	Freespool Piston	1	1
5	2305956W	Intermediate Shaft	1	1	16	2305099W	Freespool Shifter Fork	1	1
6	282148W	Pinion Gear	1	1	17	15862W	O-Ring	2	2
7	151588W	Dental Clutch	1	1	18	212380	O-Ring	1	1
8	15158W	Washer	6	6	19	283434W	Intermediate Gear	1	--
9	2304803W	Screw	1	1	19	283433W	Intermediate Gear	--	1
10	221717W	Nut	1	1					
11	2302311W	Bearing Cone	2	2					

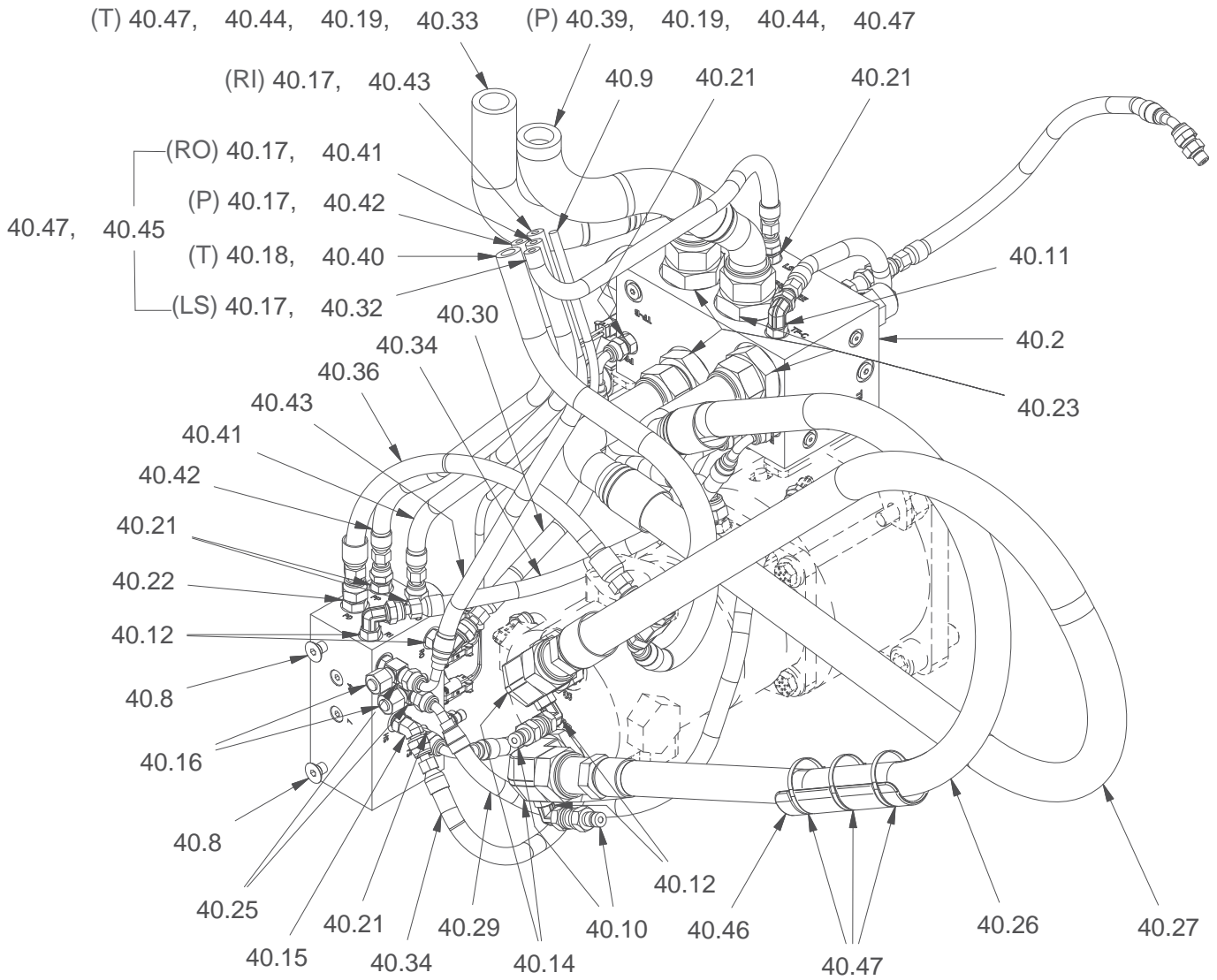
*a Apply 318702W Threadlock to Threads

Intentionally Blank

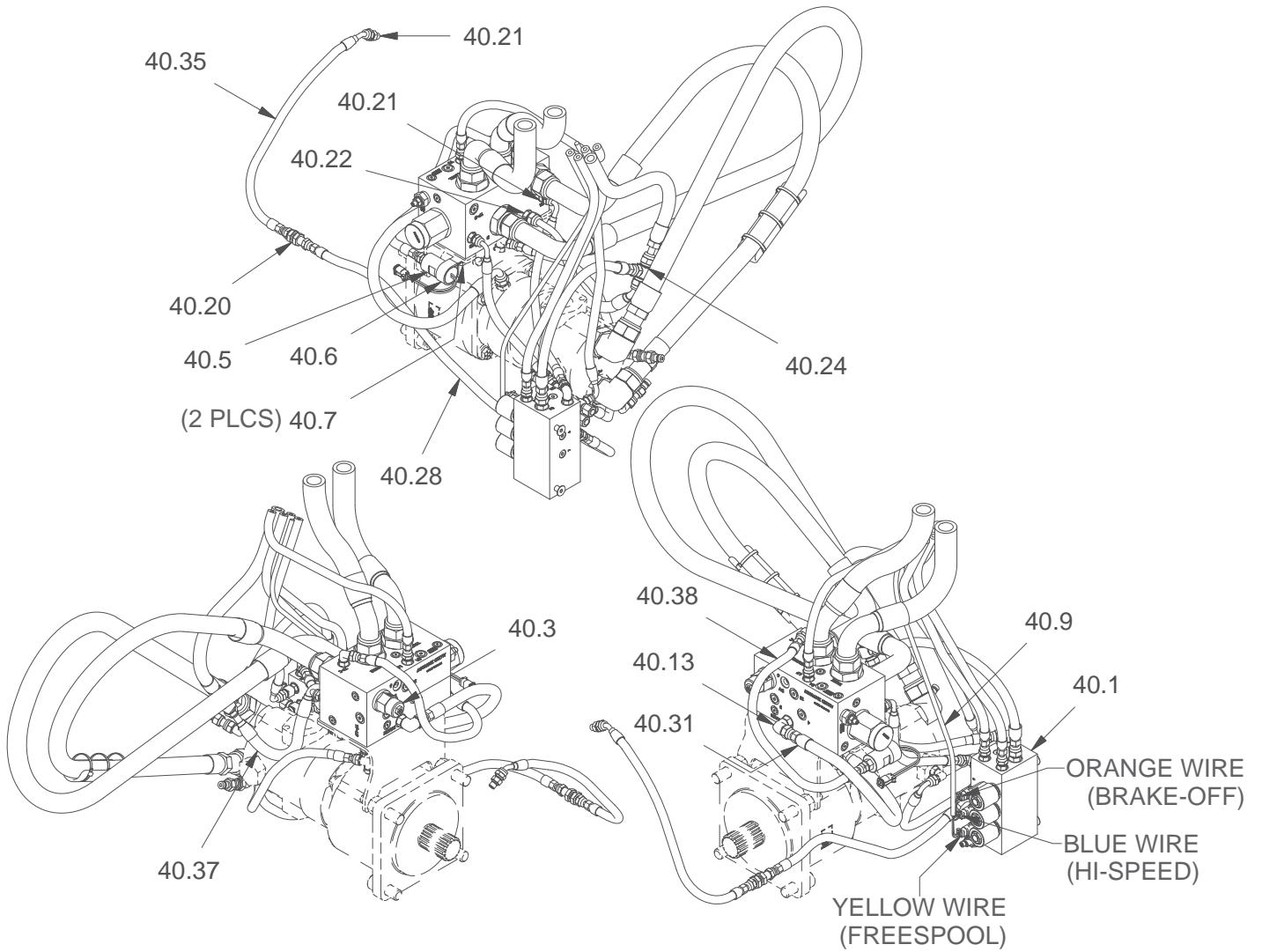
Hydraulics/Controls

Handlever Installation	3-12 thru 3-17
Hydraulic Group - Conversion Kit	3-8 & 3-9
Hydraulic Group - H6GH (High-Performance) Winch	3-2 thru 3-5
Hydraulic Group - H6GT (Rescue) Winch	3-6 & 3-7
Hydraulic Motor - One-Speed	3-10
Hydraulic Motor - Two-Speed	3-11
Manifold, Bypass	3-20
Manifold, Control	3-19
Manifold, Directional	3-18
Manifold, Logic Control	3-21
Optional Oil Cooler Installation	3-25
Switch Panel Assembly	3-22 thru 3-24

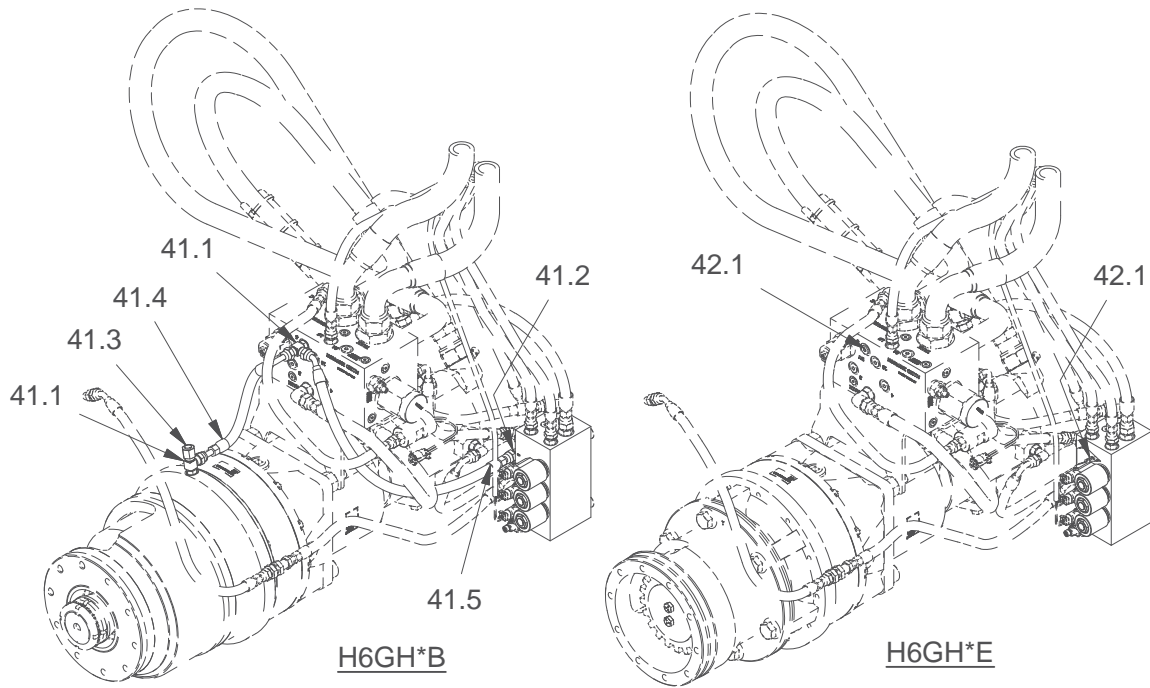
Hydraulic Group - H6GH (High-Performance) Winch



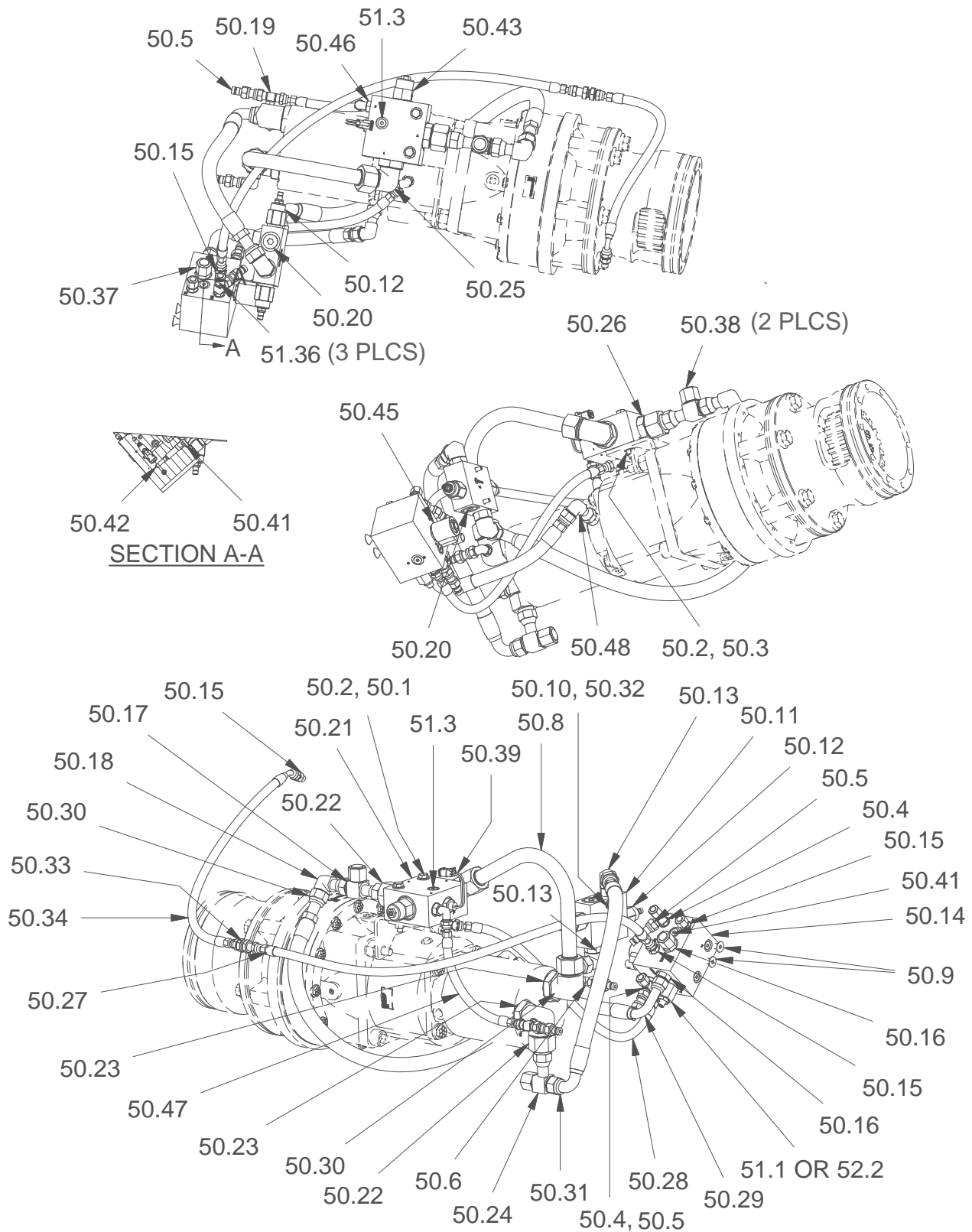
Hydraulic Group - H6GH (High-Performance) Winch



Hydraulic Group - H6GH (High-Performance) Winch



Hydraulic Group - H6GT (Rescue) Winch



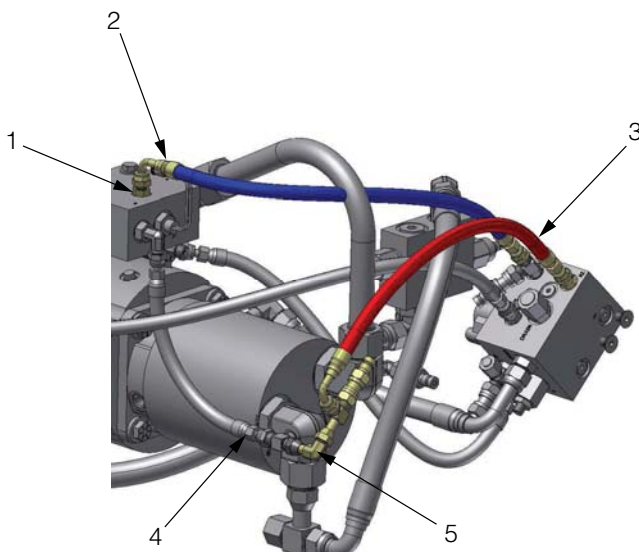
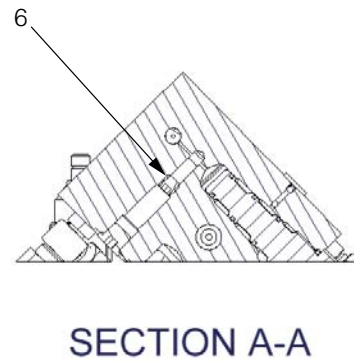
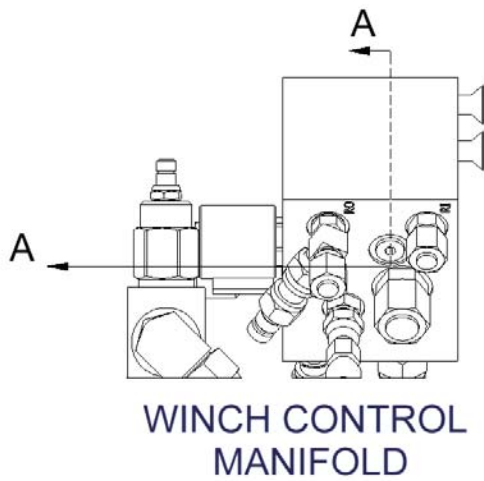
Hydraulic Group - H6GT (Rescue) Winch

Page 2 of 2

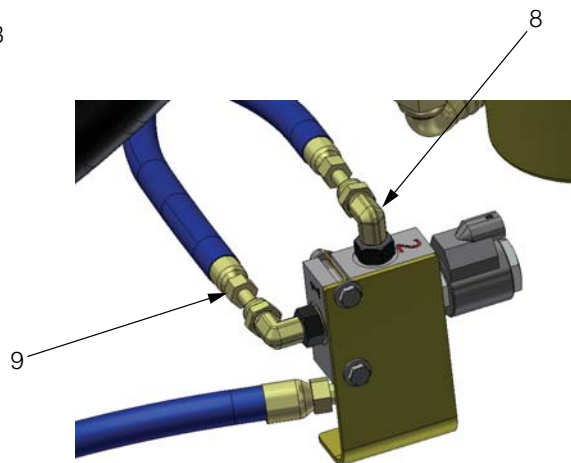
Item	Part No.	Description	Qty	Item	Part No.	Description	Qty
50.1	*a 16741W	Capscrew	2	50.33	R834100	Fitting	1
50.2	15134W	Washer	4	50.34	*b 2307208W	Hose Assembly	1
50.3	221707W	Nut	2	50.36	232984	Fitting	3
50.4	R833400	Fitting	2	50.37	R834253	Fitting	1
50.5	2307625W	Coupler, Quick Male	4	50.38	R834254	Fitting	2
50.6	R833251	Fitting	1	50.39	2307904W	Switch, Temperature	1
50.8	2307667W	Tube Assembly	1	50.41	222442W	Fitting	1
50.9	*a Y09G-0616	Capscrew	2	50.42	15961W	Fitting	1
50.10	15127W	Washer	2	50.43	*b 232706	Cartridge, Valve	1
50.11	2307439W	Manifold, Relief	1		243815	. Kit, Seal	1
50.12	2307438W	Valve, Relief	2		*c 2307265W	Valve, Counter Balance	1
50.13	R833266	Fitting	2	50.45	2310430	Cartridge, Valve	1
50.14	2307551W	Valve, Control (Page 3-19)	1		R15668	. Kit, Seal	1
50.15	231439	Fitting	4		252134	. Valve	1
50.16	231441	Fitting	2		2313921	. Coil	1
50.17	R834053	Fitting	1	50.46	*d, *f 2307921W	Hose Assembly	1
50.18	R833803	Fitting	1		*e 2311339	Fitting	1
50.19	R833351	Fitting	1	50.47	*e, *f 2311398	Hose Assembly	1
50.20	233693W	Fitting	1	50.48	R833802	Fitting	1
50.21	2307632W	Manifold	1	51.1	2311594	Assembly, Directional Valve	1
50.22	2307104W	Fitting	2	52.2	2311611	Assembly, Directional Valve	1
50.23	2307123W	Fitting	2				
50.24	R834003	Fitting	1		*a	Apply HCE-67 Medium Strength Thread Locker	
50.25	231454	Fitting	1		*b	Last Used on S/N H6G-1093	
50.26	231444	Fitting	1		*c	First Used on S/N H6G-1094	
50.27	*b 2307685W	Hose Assembly	1		*d	Last Used on S/N H6G-1161	
50.28	*b 2307684W	Hose Assembly	1		*e	First Used on S/N H6G-1162	
50.29	*b 2307681W	Hose Assembly	1		*f	Included in Hose Kit 2313919	
50.30	*b 2307682W	Hose Assembly	1				
50.31	*b 2307683W	Hose Assembly	1				
50.32	*a Y01C-0432	Capscrew	2				

Hydraulic Group - Conversion Kit

Caterpillar D6N with Pilot Hydraulic Controls to Elect Hydraulic Controls
Page 1 of 2



VIEW FROM LEFT SIDE
OF WINCH WITH COVER
REMOVED.



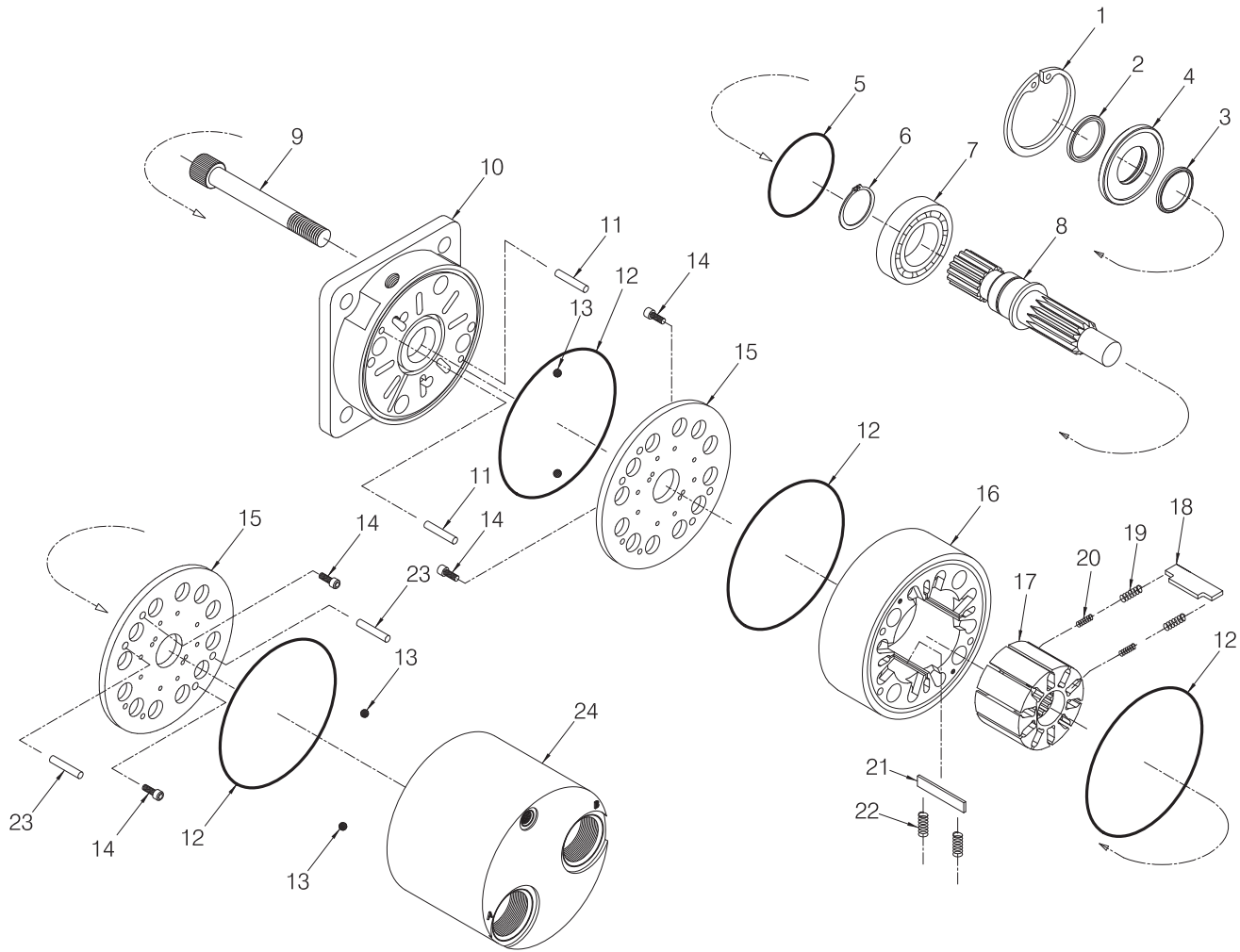
Hydraulic Group - Conversion Kit

Caterpillar D6N with Pilot Hydraulic Controls to Elect Hydraulic Controls

Page 2 of 2

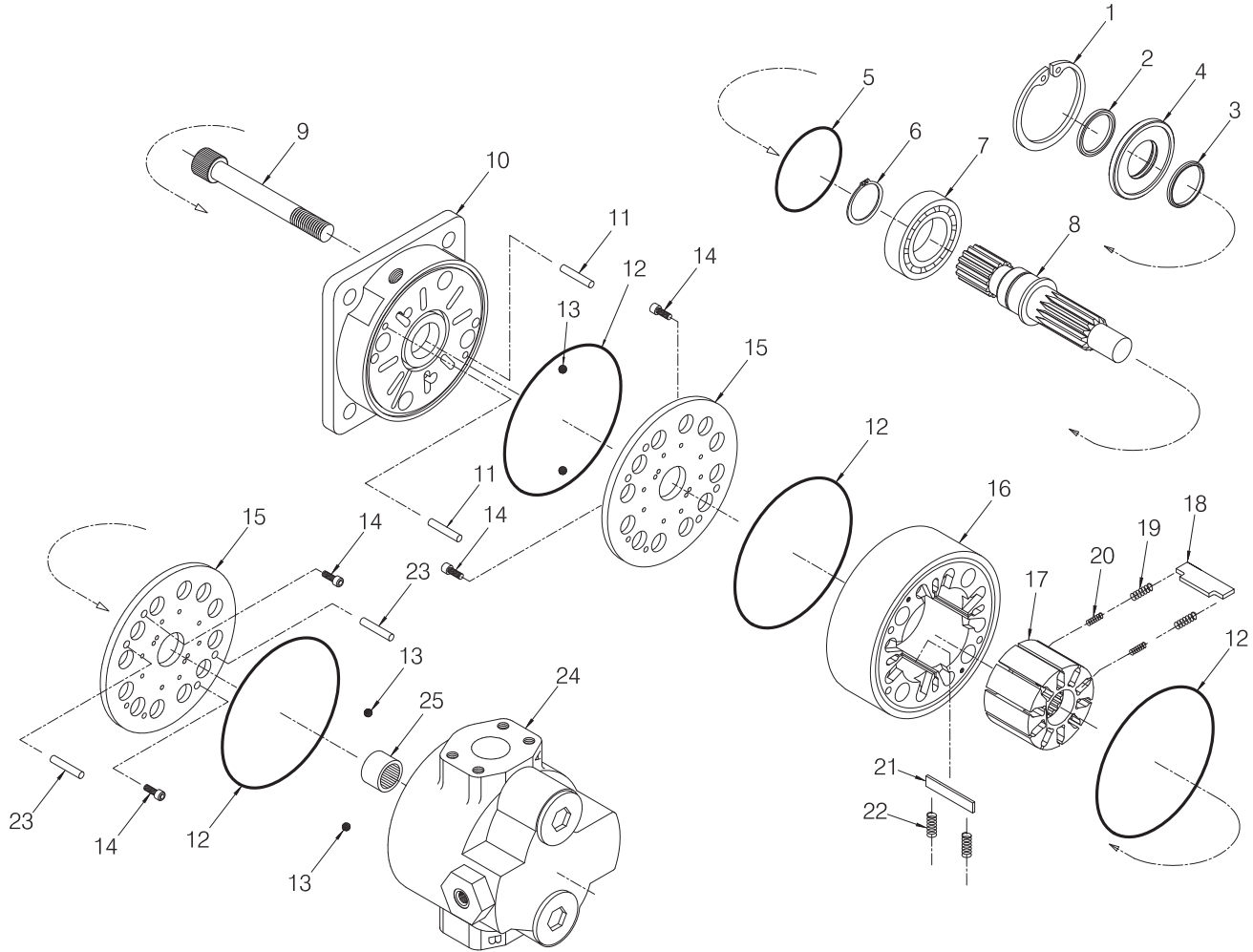
Item	Part No.	Description	Qty	Item	Part No.	Description	Qty
	2313647	Conversion Kit, H6G CAT D6N Pilot Hydraulic to Electronic Control					
1	231439	. Fitting	1	6	2310181	. Plug, Orifice	1
2	242260	. Hose Assembly	1	7	231955	. Fitting	1
3	R12001	. Hose Assembly	1	8	R833257	. Fitting	1
4	236855	. Fitting	1	9	2310337	. Hose Assembly	1
5	R833800	. Fitting	1				

Hydraulic Motor, One-Speed



Item	Part No.	Description	Qty	Item	Part No.	Description	Qty
2307694W Hydraulic Motor, One-Speed Vane							
1	*a	NSS . Snap Ring	1	15	NSS	. Timing Plate	2
2	*a	NSS . Seal	1	16	NSS	. Stator	1
3	*a	NSS . Quad Ring	1	17	NSS	. Rotor	1
4	*a	NSS . Seal Plate	1	18	*b	NSS . Vane, Rotor	10
5	*a	NSS . O-Ring	1	19	*b	NSS . Spring, Outer	20
6		NSS . Snap Ring	1	20	*b	NSS . Spring, Inner	20
7		NSS . Bearing	1	21	*b	NSS . Vane, Stator	4
8		NSS . Shaft	1	22	*b	NSS . Spring, Vane	8
9		NSS . Bolt	4	23	NSS	. Pin, Rear Dowel	2
10		NSS . Housing	1	24	NSS	. Rear Housing	1
11		NSS . Pin, Front Dowel	2				
12	*a	NSS . O-Ring	4				
13		NSS . Ball Check	4				
14		NSS . Screw	4				
					*a	Included in Seal Kit 2307244W	
					*b	Included in Vane & Spring Kit 246726	

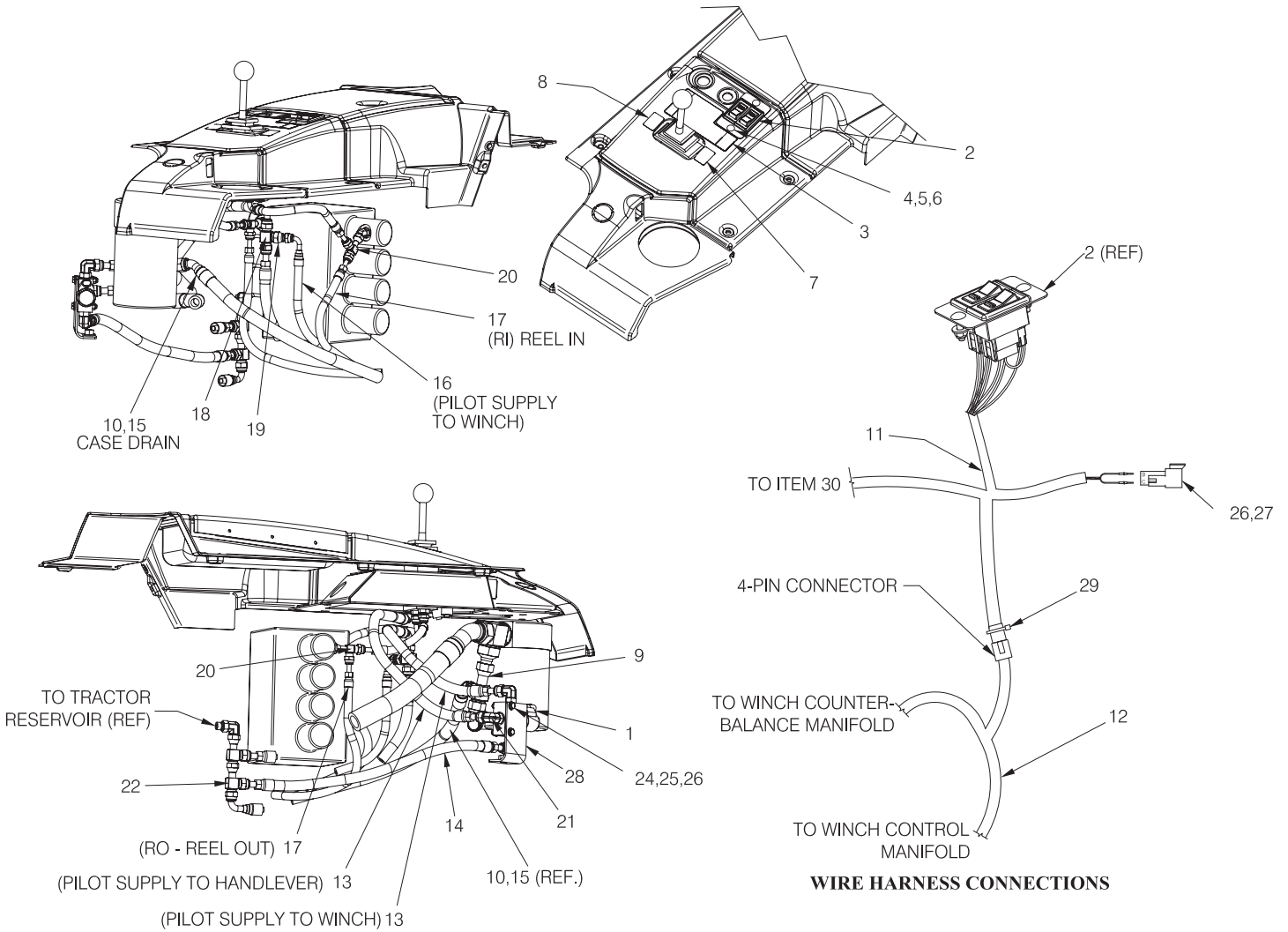
Hydraulic Motor, Two-Speed



Item	Part No.	Description	Qty	Item	Part No.	Description	Qty
2306938W Hydraulic Motor, Two-Speed Vane							
1	*a	NSS . Snap Ring	1	15	NSS	. Timing Plate	2
2	*a	NSS . Seal	1	16	NSS	. Stator	1
3	*a	NSS . Quad Ring	1	17	NSS	. Rotor	1
4	*a	NSS . Seal Plate	1	18	*b	NSS . Vane, Rotor	10
5	*a	NSS . O-Ring	1	19	*b	NSS . Spring, Outer	20
6		NSS . Snap Ring	1	20	*b	NSS . Spring, Inner	20
7		NSS . Bearing	1	21	*b	NSS . Vane, Stator	4
8		NSS . Shaft	1	22	*b	NSS . Spring, Vane	8
9		NSS . Bolt	4	23	NSS	. Pin, Rear Dowel	2
10		NSS . Housing	1	24	NSS	. Rear Housing	1
11		NSS . Pin, Front Dowel	2	25	NSS	. Bearing, Needle	1
12	*a	NSS . O-Ring	4				
13		NSS . Ball Check	4	*a Included in Seal Kit 2307244W			
14		NSS . Screw	4	*b Included in Vane & Spring Kit 246726			

Handlever Installation

Caterpillar D6N



Handlever Installation

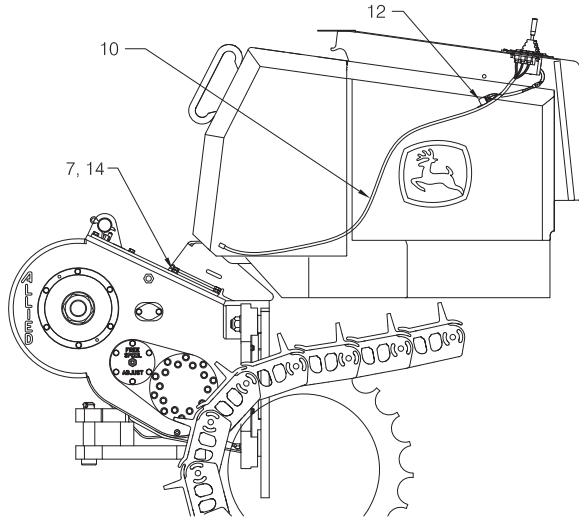
Caterpillar D6N

Item	Part No.	Description	Qty	Item	Part No.	Description	Qty
1	2307833W	Valve Manifold Assembly	1	14	*a 2307906W	Hose Assembly	1
	2307834W	. Solenoid Cartridge	1	15	*a 2307907W	Hose Assembly	1
	2307835W	. . Valve, Cartridge	1	16	*a 2307908W	Hose Assembly	1
	250589	. . Coil, Solenoid	1	17	*a 2307909W	Hose Assembly	2
	R15668	. . Kit, Seal	1	18	231470	Fitting	1
	R12973129	. Valve Body	1	19	242629	Fitting	1
2	2307640W	Assembly, Switch Panel (See 3-22)	1	20	236855	Fitting	2
3	2307644W	Decal - Switch Panel	1	21	R833257	Fitting	3
4	220000W	Bolt	2	22	231955	Fitting	1
5	15113W	Nut	2	23	Y01C-0428	Capscrew	2
6	15127W	Washer	2	24	15157W	Washer	4
7	2307121W	Decal - Winch In	1	25	15113W	Nut	2
8	2307122W	Decal - Winch Out	1	26	243474	Receptacle	1
9	R834053	Fitting	1	27	243507	Lock, Secondary	1
10	2307103W	Fitting	1	28	2307897W	Plate, Mounting	1
11	2307628W	Wire Harness - Winch Console	1				
12	2307629W	Wire Harness - Winch	1		*a	Included in Hose Kit 2313920	
13	*a 2307905W	Hose Assembly	1				

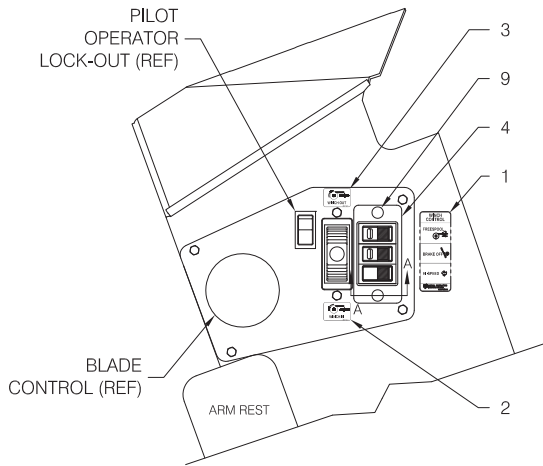
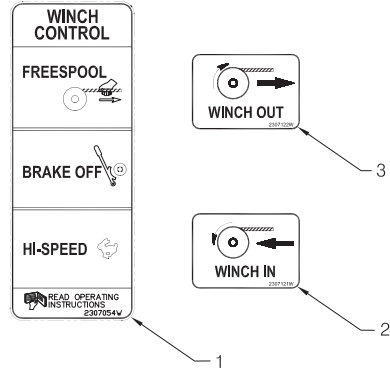
Handlever Installation

John Deere 750J

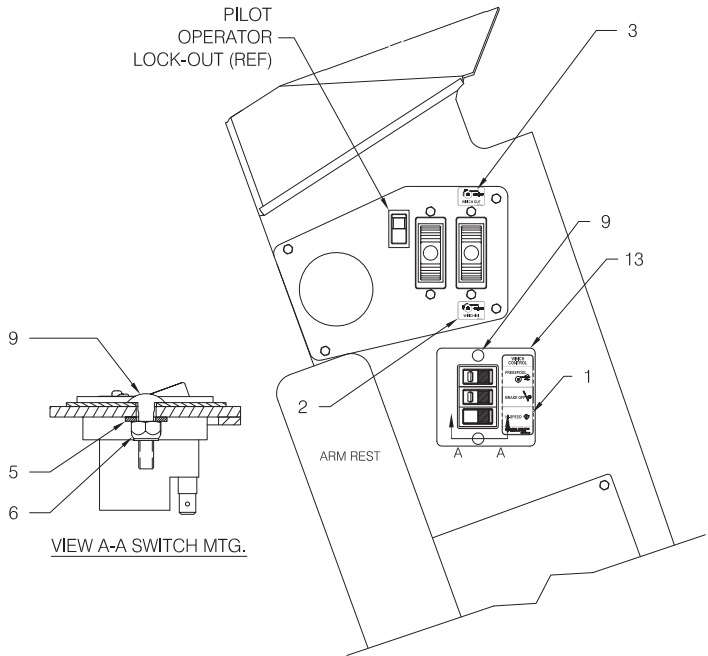
Used on S/N H6G-1021 thru H6G-1093



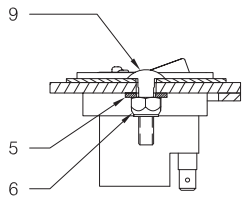
RIGHT SIDE TRACTOR
CONSOLE WIRE ROUTING



RIGHT-HAND CONSOLE
DECAL AND SWITCH POSITIONS



RIGHT-HAND CONSOLE
DECAL AND SWITCH POSITIONS
(FOR TRACTORS WITH TWO HANDLEVERS)

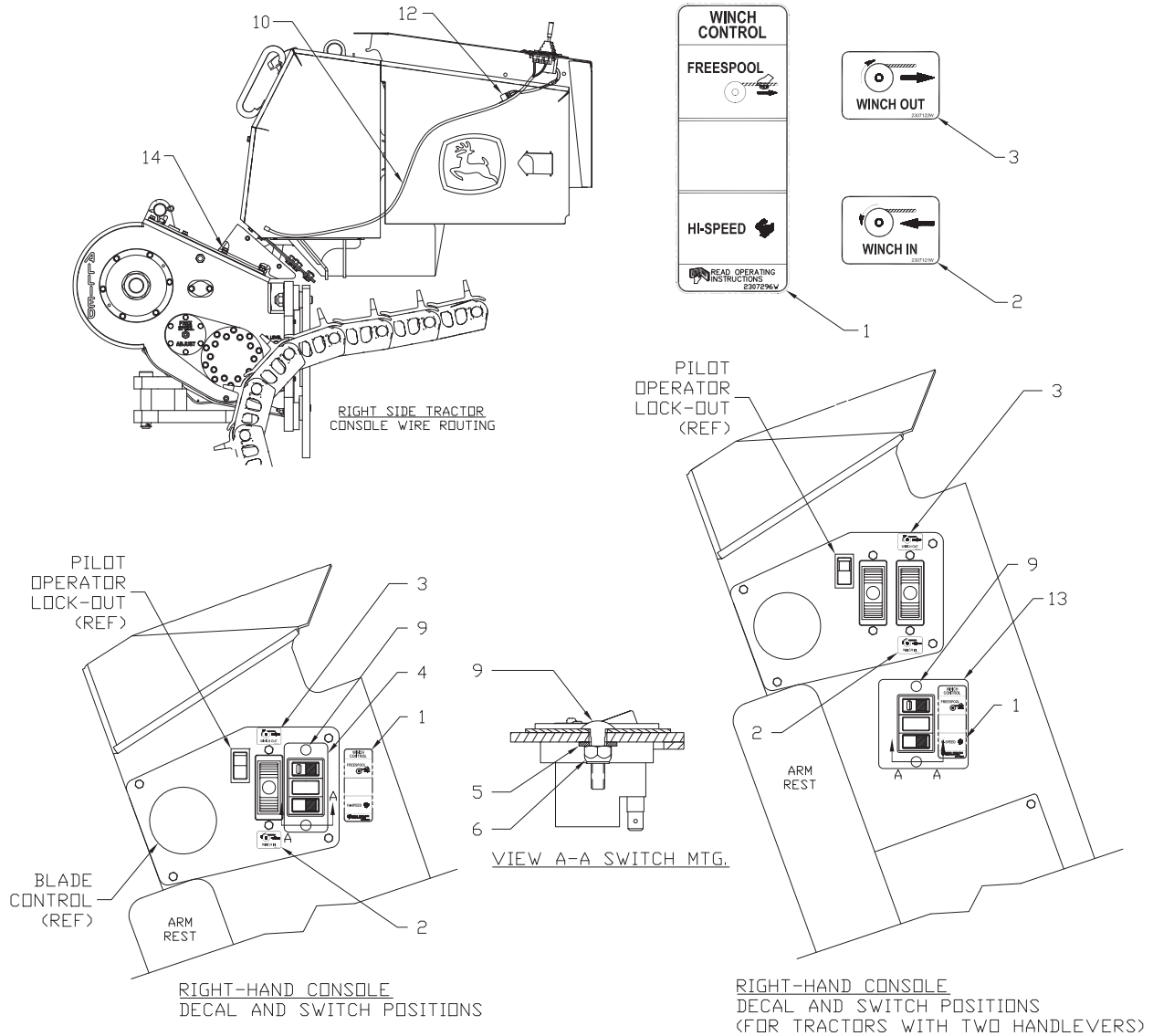


VIEW A-A SWITCH MGT.

Item	Part No.	Description	Qty	Item	Part No.	Description	Qty
1	*b 2307296W	Decal, Switch Panel	1	9	220000W	Bolt	2
1	*c 2307054W	Decal, Switch Panel	1	10	2307292W	Wire Harness, Console	1
2	2307121W	Decal, Winch In	1	12	R13661	Relay	1
3	2307122W	Decal, Winch Out	1	13	2307532W	Plate, Switch Mounting	1
4	*b 2307295W	Assembly, Switch Panel (See 3-23)	1	14	15158W	Screw	2
4	*c 2307051W	Assembly, Switch Panel (See 3-24)	1				
5	15127W	Washer	2		*a	Use 318702W Threadlock	
6	15133W	Nut	2		*b	Last Used on S/N H6G-1020	
7	*a 182209W	Capscrew	2		*c	First Used on S/N H6G-1021	

Handlever Installation

John Deere 750J
First Used on S/N H6G-1094

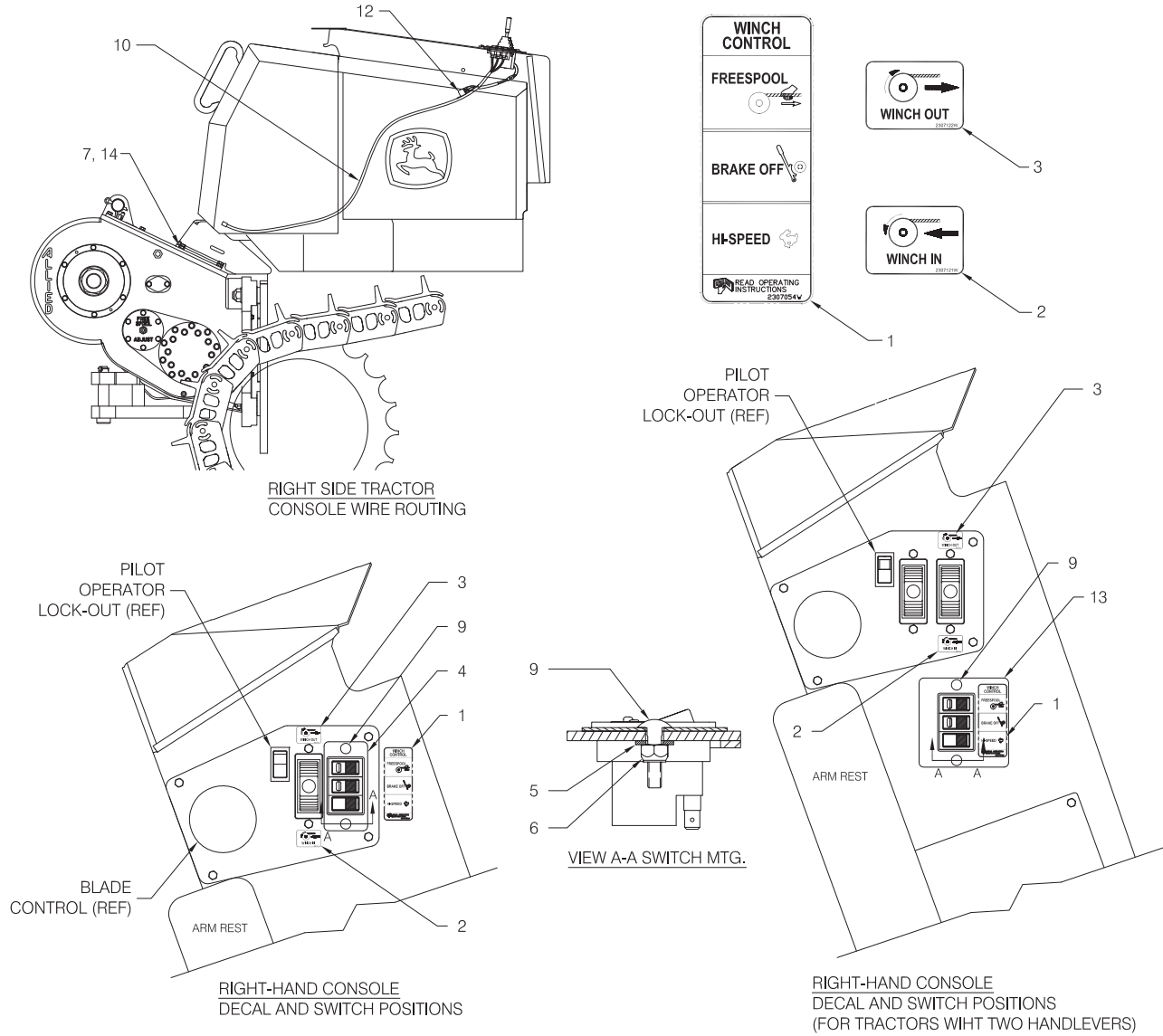


Item	Part No.	Description	Qty	Item	Part No.	Description	Qty
1	2307296W	Decal, Switch Panel	1	9	220000W	Bolt	2
2	2307121W	Decal, Winch In	1	10	2307292W	Wire Harness, Console	1
3	2307122W	Decal, Winch Out	1	12	R13661	Relay	1
4	2307295W	Assembly, Switch Panel (See 2-23)	1	13	2307532W	Plate, Switch Mounting	1
5	15127W	Washer	2	14	2303898W	Screw	2
6	15133W	Nut	2				

Handlever Installation

John Deere 850J

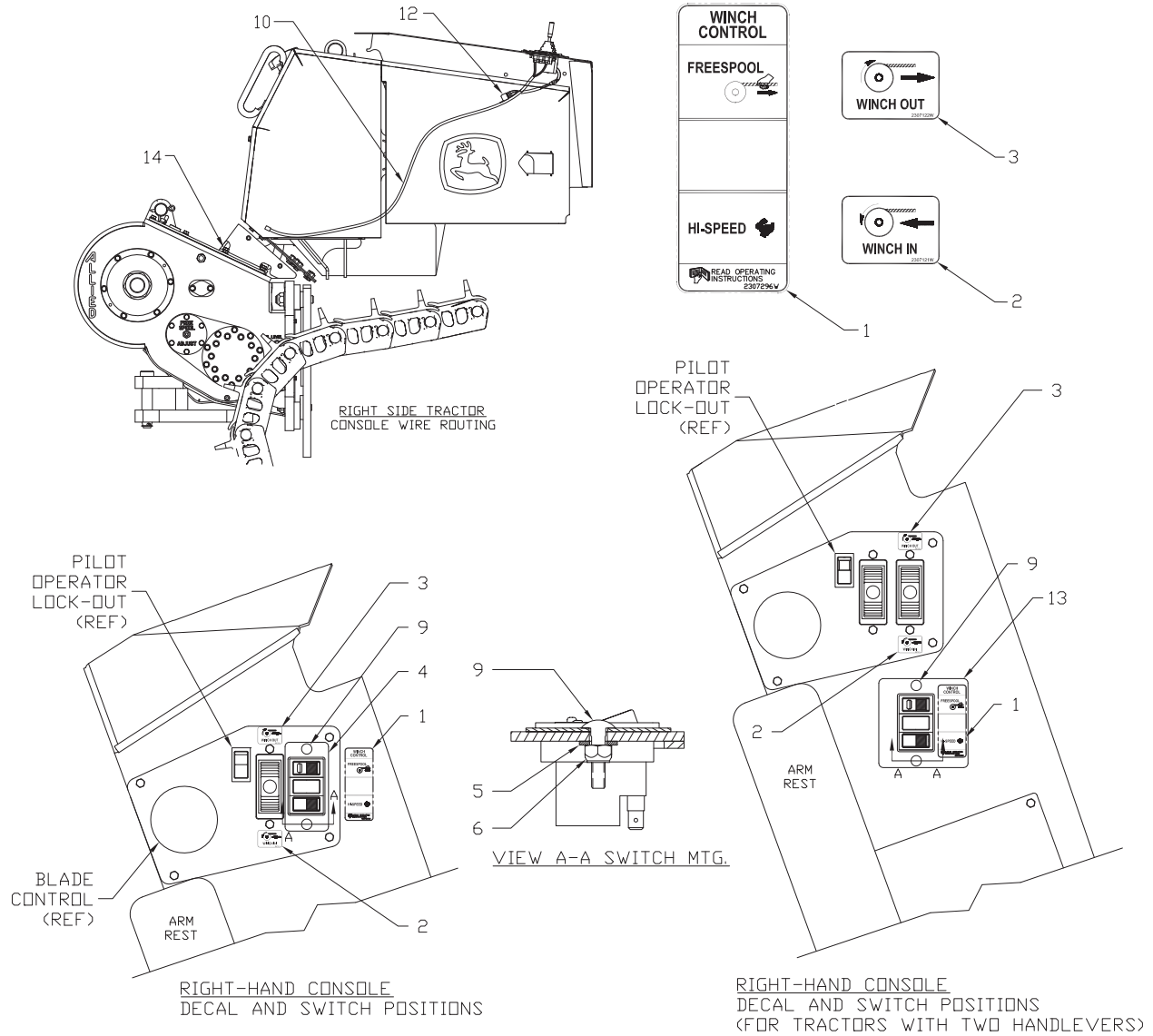
Used on S/N H6G-1021 thru H6G-1093



Item	Part No.	Description	Qty	Item	Part No.	Description	Qty
1	*b 2307296W	Decal, Switch Panel	1	9	220000W	Bolt	2
1	*c 2307054W	Decal, Switch Panel	1	10	2307292W	Wire Harness, Console	1
2	2307121W	Decal, Winch In	1	12	R13661	Relay	1
3	2307122W	Decal, Winch Out	1	13	2307532W	Plate, Switch Mounting	1
4	*b 2307295W	Assembly, Switch Panel (See 3-23)	1	14	15158W	Screw	2
4	*c 2307051W	Assembly, Switch Panel (See 3-24)	1				
5	15127W	Washer	2		*a	Use 318702W Threadlock	
6	15133W	Nut	2		*b	Last Used on S/N H6G-1020	
7	*a 182209W	Capscrew	2		*c	First Used on S/N H6G-1021	

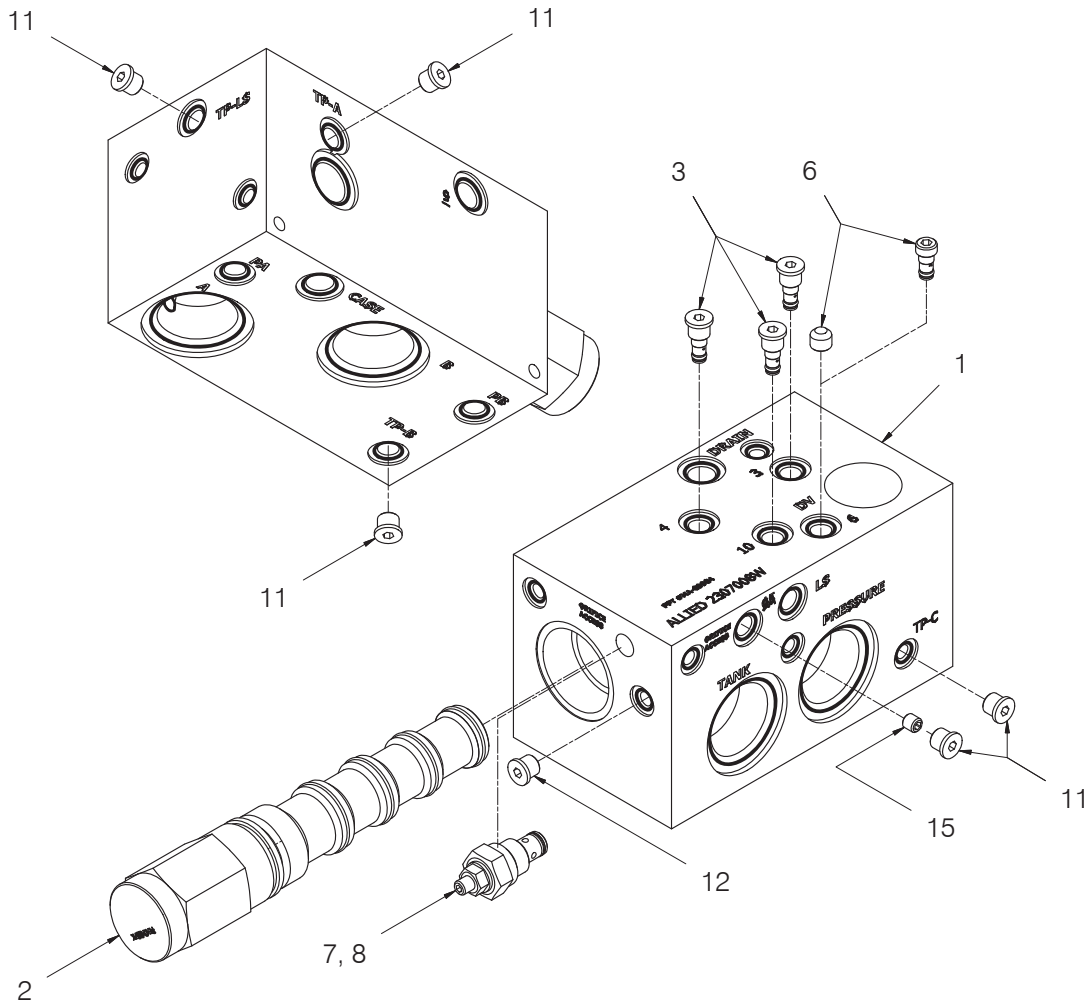
Handlever Installation

John Deere 850J
First Used on S/N H6G-1094



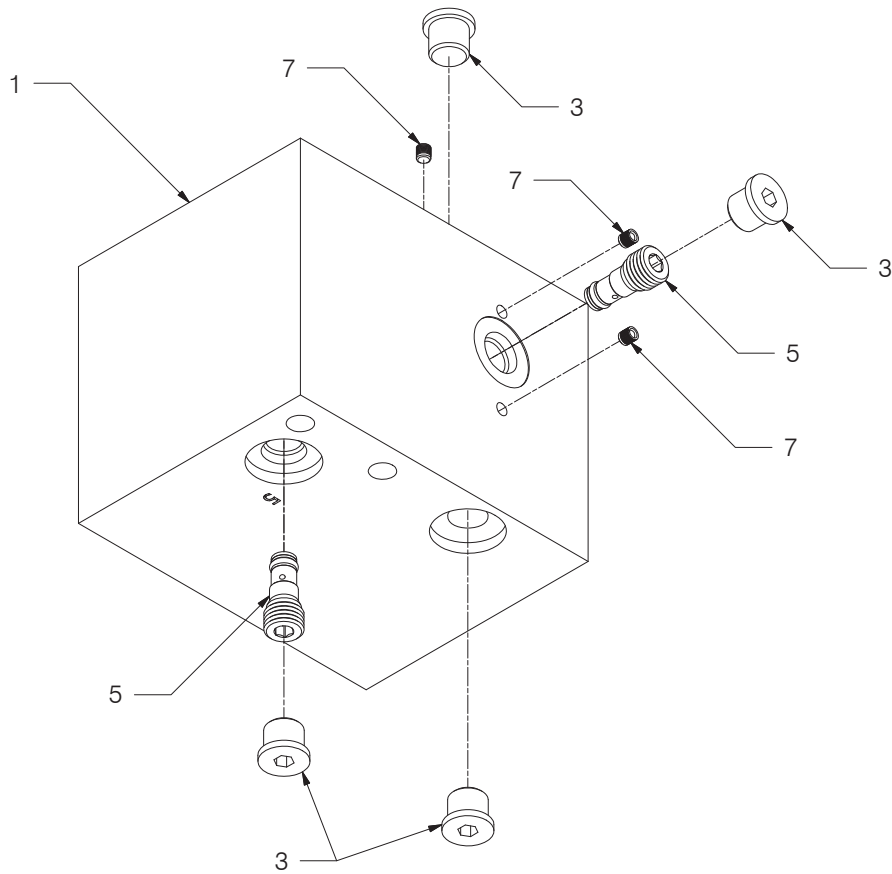
Item	Part No.	Description	Qty	Item	Part No.	Description	Qty
1	2307296W	Decal, Switch Panel	1	9	220000W	Bolt	2
2	2307121W	Decal, Winch In	1	10	2307292W	Wire Harness, Console	1
3	2307122W	Decal, Winch Out	1	12	R13661	Relay	1
4	2307295W	Assembly, Switch Panel (See 3-23)	1	13	2307532W	Plate, Switch Mounting	1
5	15127W	Washer	2	14	2303898W	Screw	2
6	15133W	Nut	2				

Directional Manifold



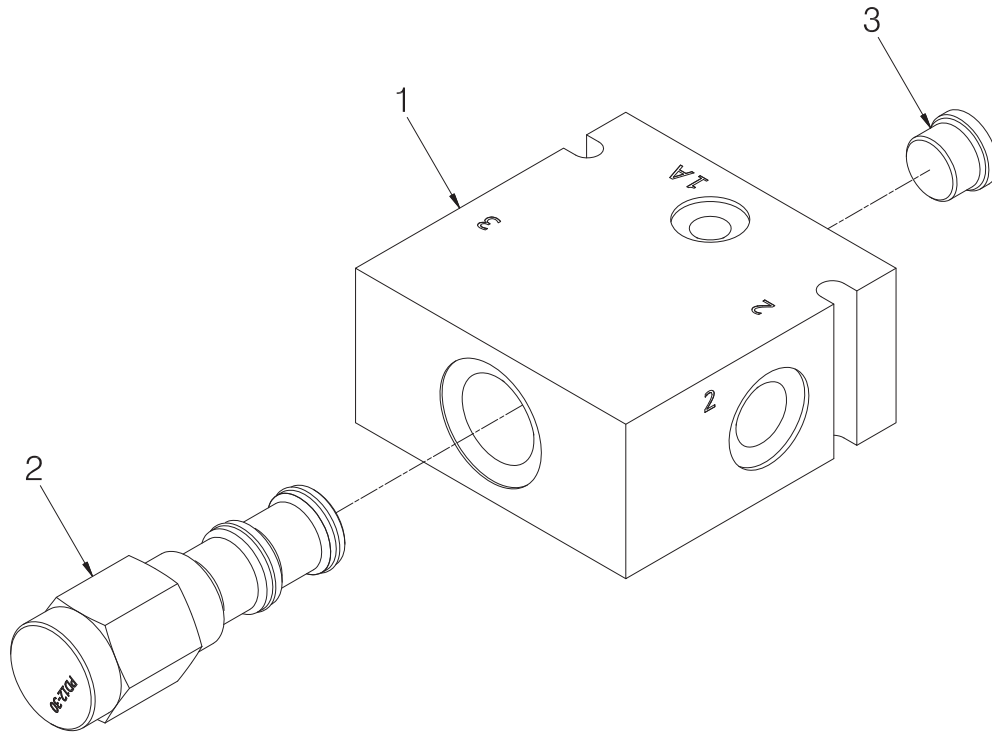
Item	Part No.	Description	Qty	Item	Part No.	Description	Qty
	2307008W	Manifold, Directional					
1	2307232W	. Manifold Body	1	11	222442W	. Fitting, O-Ring	5
2	2307024W	. Valve, Proportional Cartridge Spool	1	12	2310978W	. Orifice	1
	2307235W	. . Kit, Seal	1	15	2307736W	. Orifice	1
3	2307234W	. Valve, Cartridge Check	3				
	2307245W	. . Kit, Seal	1				
6	*a, *b 220998W	. Screw	1		*a	Use 251099W Adhesive Sealant	
6	*c 2312132	. Fitting, Orifice	1		*b	Last Used on S/N H6G-1200	
7	2307233W	. Plug, Orifice	1		*c	First Used on S/N H6G-1201	
8	2307236W	. Valve, Cartridge Relief	1				
	2307246W	. . Kit, Seal	1				

Control Manifold



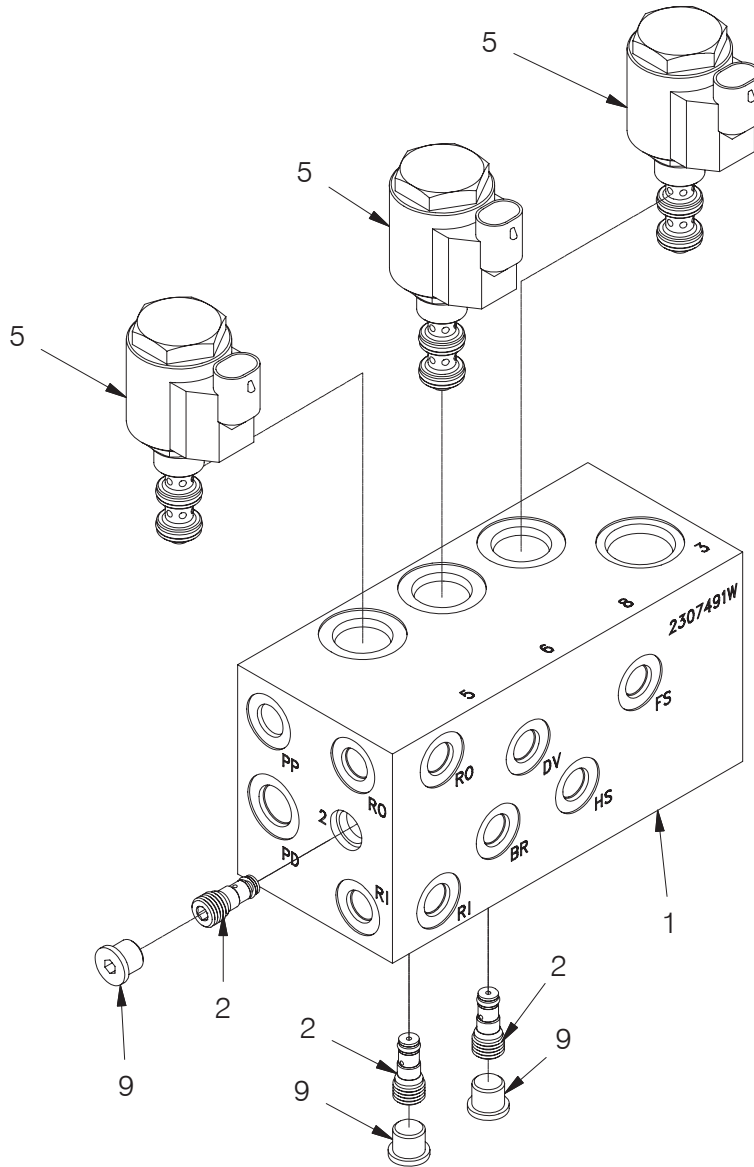
Item	Part No.	Description	Qty	Item	Part No.	Description	Qty
	2307551W	Control Manifold					
1	NSS	. Control Manifold Body	1	7	NSS	. Expansion Plug	3
3	222442W	. Fitting	4				
5	2307227W	. Cartridge Shuttle Valve	2				
	2307231W	. . Seal Kit	2				

Bypass Manifold



Item	Part No.	Description	Qty	Item	Part No.	Description	Qty
	2307443W	Bypass Manifold					
1	2307444W	. Manifold	1	3	229345	. Fitting	1
2	2310576	. Directional Valve	1				
	2307154W	.. Kit, Seal	1				

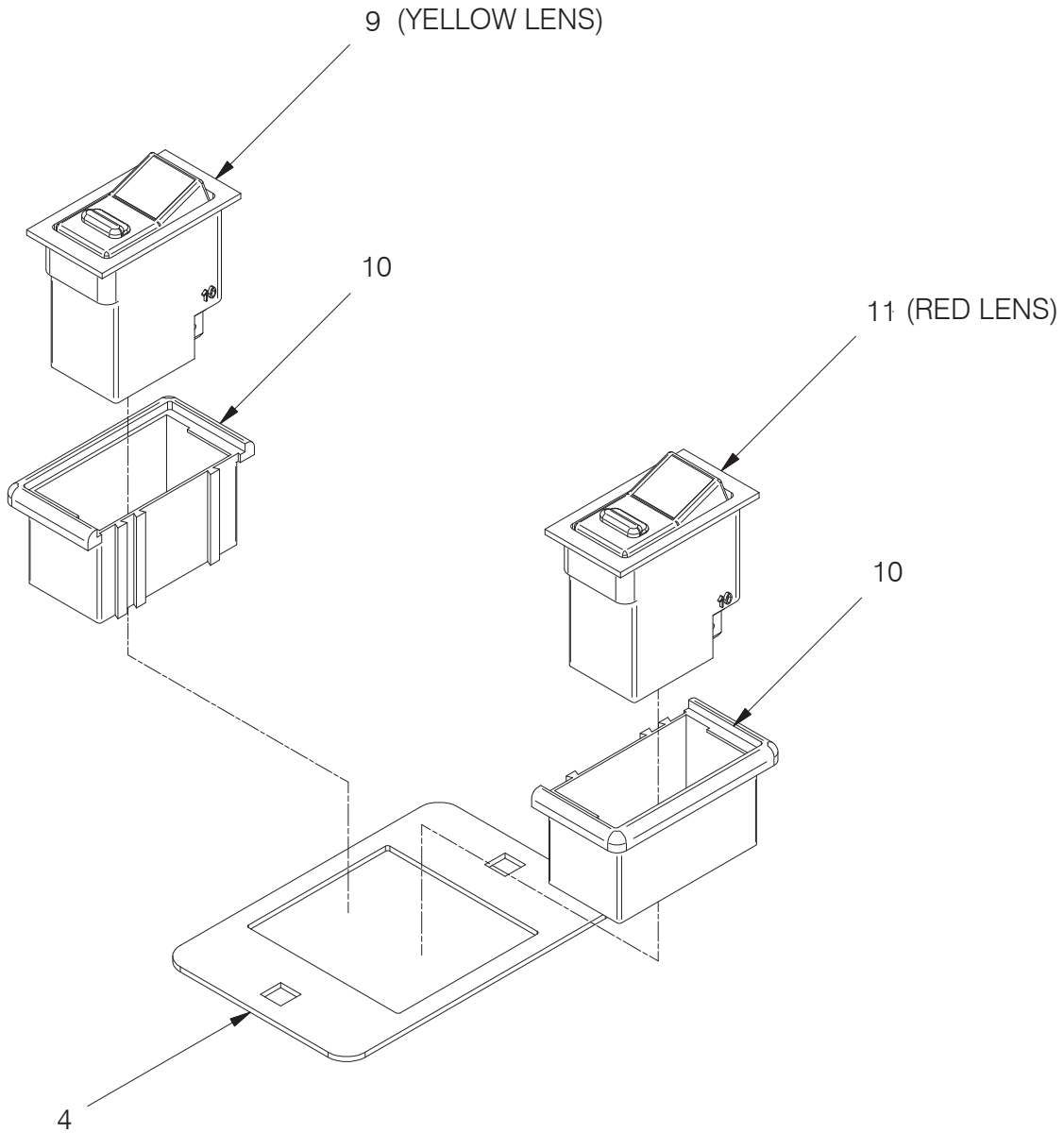
Logic Control Manifold



Item	Part No.	Description	Qty	Item	Part No.	Description	Qty
	2307491W	Logic Control Manifold					
1	2307511W	. Manifold Body	1	5	2310430	. Cartridge, Valve	3
2	2307227W	. Shuttle Valve	3		250589	. . Coil, Solenoid	1
	2307231W	. . Seal Kit	1	9	222442W	. Fitting	3

Switch Panel Assembly

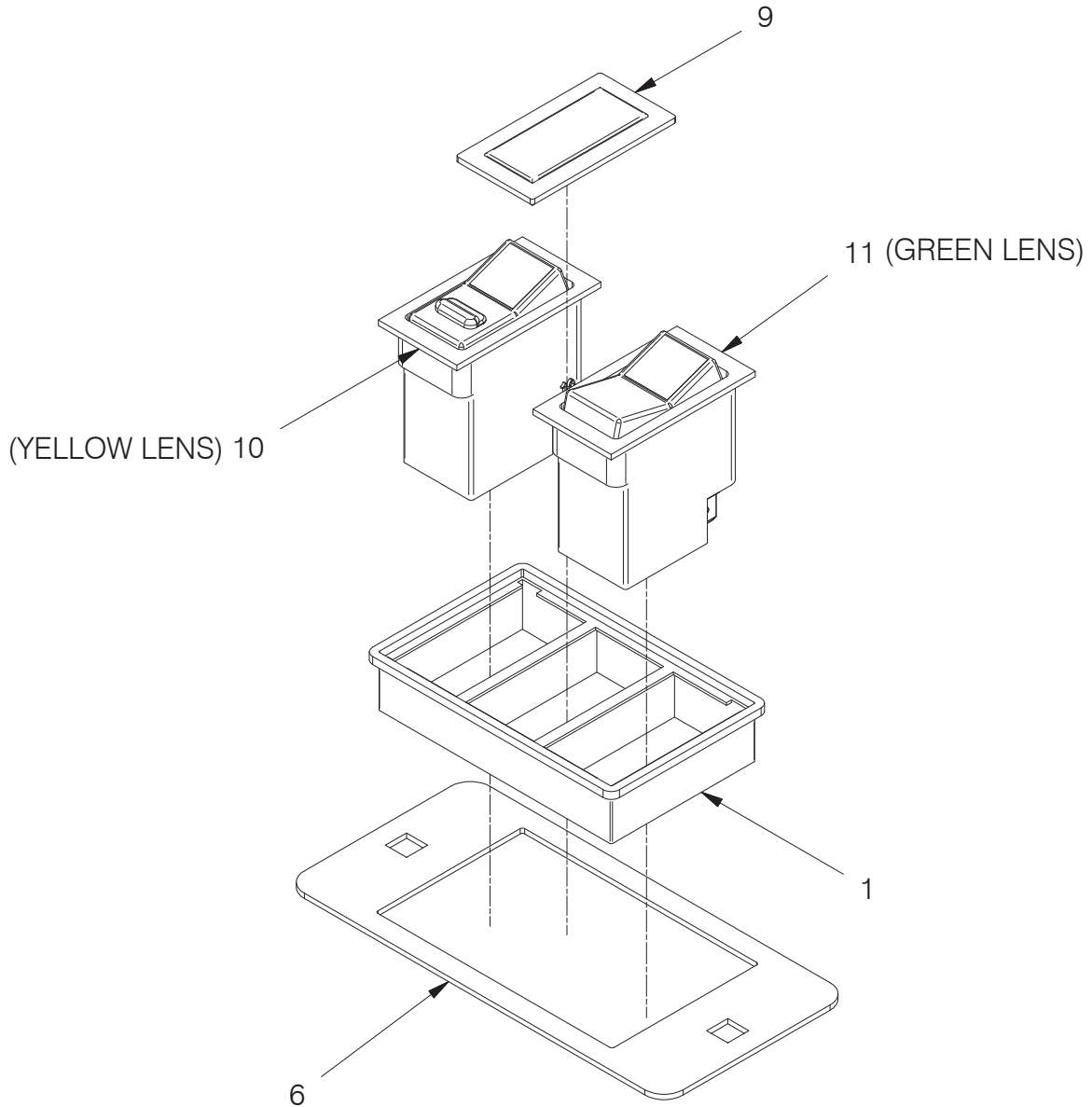
Rescue Winch



Item	Part No.	Description	Qty	Item	Part No.	Description	Qty
	2307640W	Switch Panel Assembly, Rescue Winch					
4	2307711W	. Plate, Switch Mounting	1	10	234505	. Frame, Mounting	2
9	2310013	. Assembly, Switch 24V	1	11	2310506	. Assembly, Switch	1

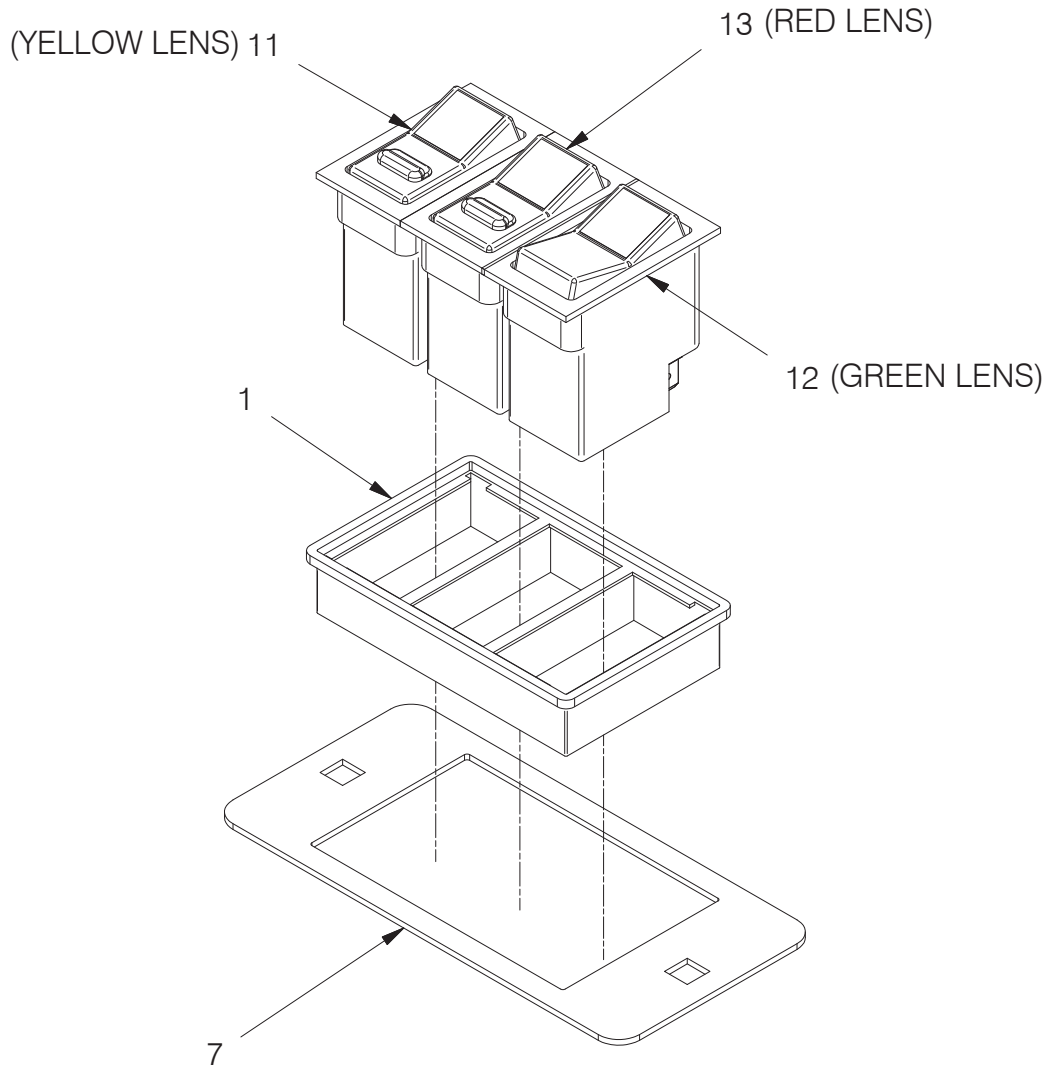
Switch Panel Assembly

Freespool and Hi-Speed Winch



Item	Part No.	Description	Qty	Item	Part No.	Description	Qty
	2307295W	Switch Panel Assembly, Freespool and Hi-Speed Winch					
1	234740	. Frame, Mounting	1	10	2310013	. Assembly, Switch 24V	1
6	2307057W	. Plate, Switch Mounting	1	11	2310502	. Assembly, Switch 3 Positions, 24V	1
9	234509	. Cover, Blank	1				

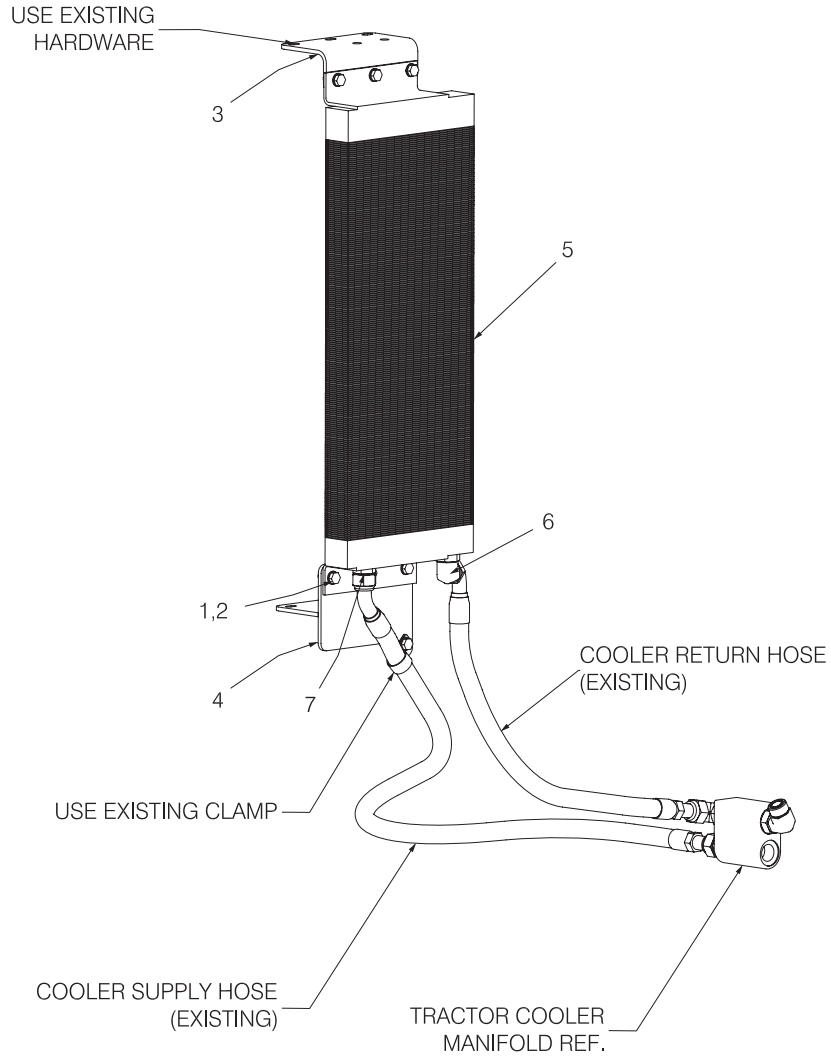
Switch Panel Assembly



Item	Part No.	Description	Qty	Item	Part No.	Description	Qty
	2307295W	Switch Panel Assembly					
1	234740	. Frame, Mounting	1	12	2310502	. Assembly, Switch 3 Positions, 24V	1
7	2307057W	. Plate, Switch Mounting	1	13	2310504	. Assembly, Switch with Lock	1
11	2310013	. Assembly, Switch 24V	1				

Optional Oil Cooler Installation

Caterpillar D6N



Item	Part No.	Description	Qty	Item	Part No.	Description	Qty
1	136985W	Capscrew	5	5	2307695W	Oil Cooler	1
2	296420W	Washer	5	6	R833270	Fitting	1
3	2307696W	Bracket	1	7	231443	Fitting	1
4	2307898W	Lower Bracket	1				

Intentionally Blank

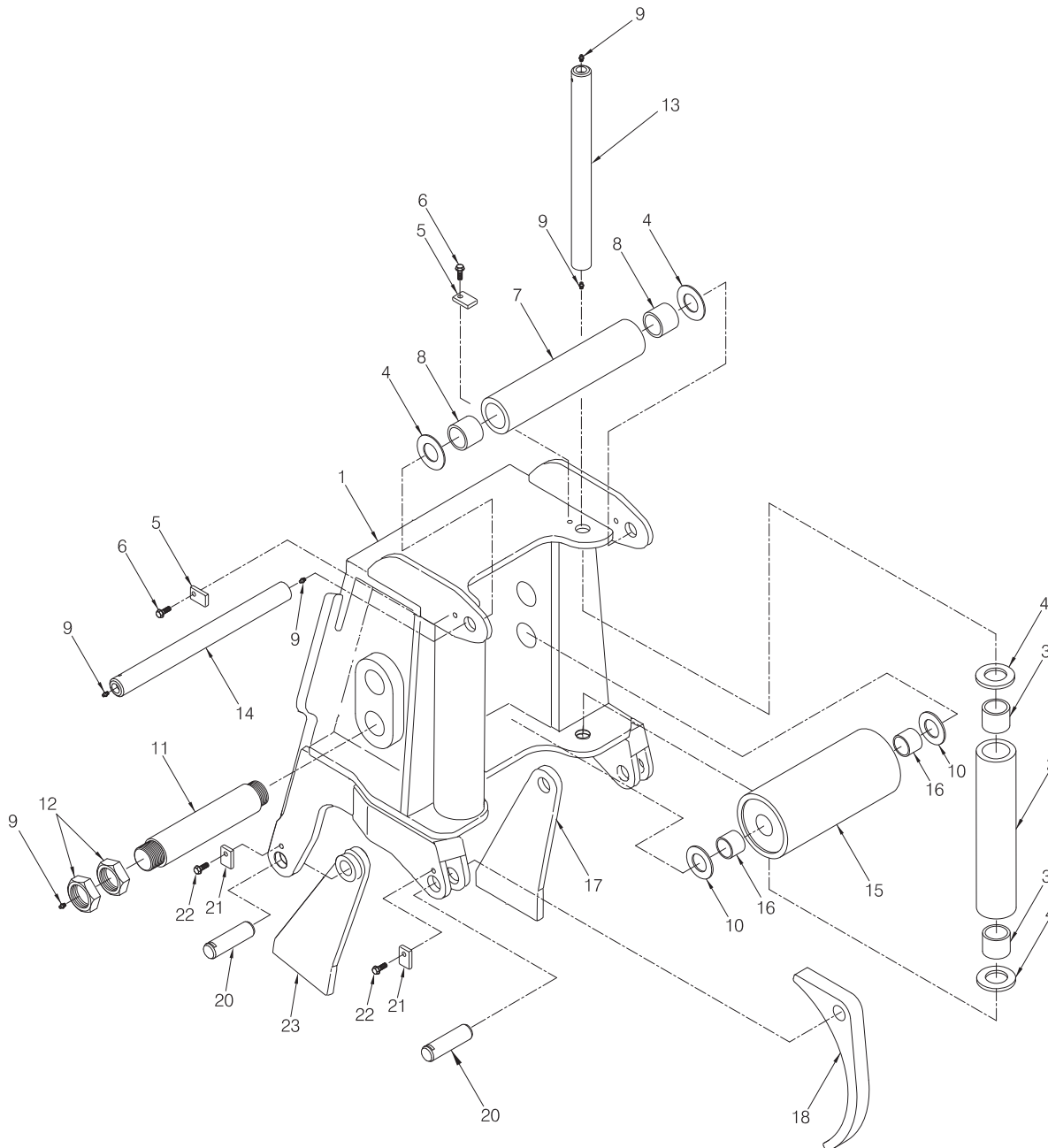
Optional

Arch	4-2
Fairlead	4-3
Wire Rope Assemblies.....	4-4



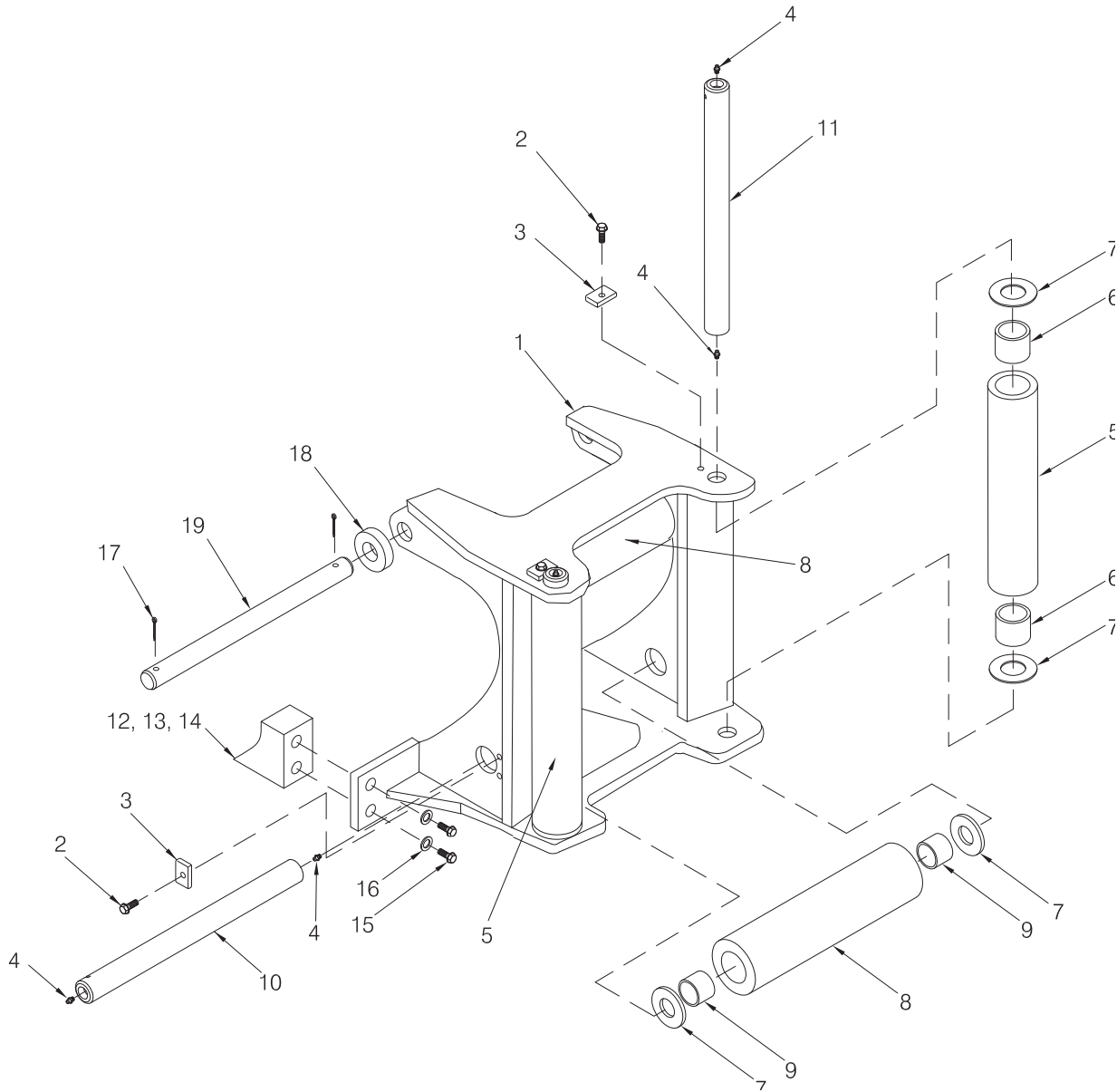
4-2

Arch



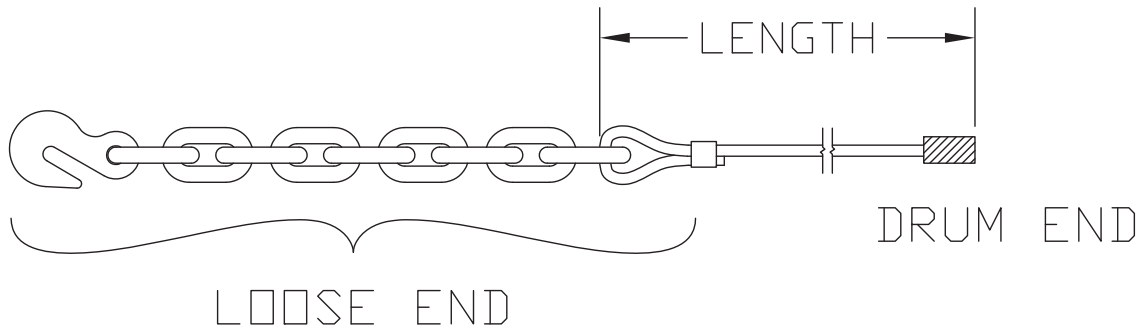
Item	Part No.	Description	Qty	Item	Part No.	Description	Qty
	2301748W	Arch Assembly	1				
1	2301749W	. Weldment, Arch	1	12	221336W	. Nut	4
2	2301907W	. Roller	2	13	2301920W	. Shaft	2
3	35135W	. Bushing	2	14	2301919W	. Shaft	1
4	331767W	. Washer	6	15	2301925W	. Roller	1
5	2301706W	. Keeper	3	16	2817W	. Bushing	2
6	398817W	. Flange, Screw	3	17	2307800W	Ear, RH	1
7	2301910W	. Roller	1	18	2306380W	Lug, Wrapped	2
8	35135W	. Bushing	2	20	2301924W	Pin	4
9	16001W	. Fitting, Grease	8	21	2301706W	Keeper	4
10	2821W	. Washer	2	22	398817W	Flange Screw	4
11	2302120W	. Shaft	2	23	2307802W	Ear, LH	1

4-3 Fairlead



Item	Part No.	Description	Qty	Item	Part No.	Description	Qty
	2301732W	Fairlead Assy., 4-Roller					
1	2301718W	. Frame	1	10	2301722W	. Shaft	2
2	398817W	. Screw, Flange	4	11	143292W	Bracket, RH	1
3	2301706W	. Keeper	4	12	226374W	Bracket, LH	1
4	16001W	. Fitting, Lube	8	13	93878W	Shim	A/R
5	2301726W	. Roller	2	14	18669W	Capscrew	4
6	2570W	. Bushing	2	15	15166W	Washer	4
7	33394W	. Washer	8	16	15272W	Pin, Cotter	2
8	2301727W	. Roller	2	17	173607W	Spacer	2
9	2570W	. Bushing	2	18	196280W	Tie Bar	1

Wire Rope Assemblies



	Wire Rope	Tail Chain & Hook
Wire Rope Diameter Dia (in)	Breaking Strength New (lbs)	Working Load Limit (lbs) 3.5:1 Design Factor
3/4	58,800	34,200
7/8	79,600	34,200
1	103,400	47,700

Part No.	Wire Diameter	Length Ft (M)	Part No.	Wire Diameter	Length Ft (M)
WR6-263L	3/4"	263 (80) *	WR8-147L	1"	147 (45) *
WR6-399L	3/4"	399 (122) **	WR8-223L	1"	223 (68) **
WR7-189L	7/8"	189 (58) *			
WR7-287L	7/8"	287 (87) **			

* Length to fill drum to 2/3 capacity (recommended)
 ** Length to fill drum to full capacity

Numerical Index

25414 - 221775W	5-2
221777W - 2307782W.....	5-3
2307782W - Y17C-1024	5-4

5-2

Part No.	Page No.	Item	Part No.	Page No.	Item	Part No.	Page No.	Item	Part No.	Page No.	Item
25414	2-4	9	2310430	3-21	5	1314454W	2-3	14	15892W	2-2	11
209697	1-7	39	2310500	1-17	1	1314566W	1-11	18	15892W	2-3	11
209703	1-7	37	2310501	1-17	2	1314566W	1-15	18	15961W	3-7	50.42
212380	2-9	18	2310502	3-23	11	1321665W	1-18	1	159940W	2-9	3
221767	2-4	18	2310502	3-24	12	133927W	2-8	18	16001W	4-2	9
225335	2-4	11	2310504	3-24	13	136895W	1-7	11	16001W	4-3	4
225336	2-4	12	2310506	3-22	11	136985W	3-25	1	16602W	1-18	2
225338	2-4	14	2310576	3-20	2	137153W	2-6	8	166857W	1-7	16
225339	2-4	13	2310580	1-17	20	137155W	2-6	9	16741W	3-7	50.1
225775	1-7	27	2310599	3-5	41.4	141671W	2-8	14	16783W	2-2	20
225871	1-13	13	2310610	1-17	13	141674W	2-8	5	16783W	2-3	20
225871	1-15	13	2310796	1-18	5	141675W	2-8	6	16829W	1-9	18
228886	2-4	15	2311143	3-5	40.4	141676W	2-8	1	16829W	1-13	18
229345	3-20	3	2311152	3-5	40.41	143292W	4-3	11	16829W	2-8	24
231439	3-5	40.21	2311153	3-5	40.42	14595W	1-3	5.3	16830W	2-2	23
231439	3-7	50.15	2311251	2-7	1	14595W	1-5	5.3	16830W	2-3	23
231439	3-9	1	2311283	3-5	40.43	14718W	2-2	21	172808W	2-8	15
231440	3-5	40.22	2311329	1-18	6	14718W	2-3	21	172810W	2-8	3
231441	3-7	50.16	2311330	1-18	3	15011W	2-2	24	173607W	4-3	17
231443	3-25	7	2311339	3-7	50.46	15011W	2-3	24	175646W	2-8	22
231444	3-7	50.26	2311398	3-7	50.47	15113W	3-13	5	175647W	2-8	21
231454	3-7	50.25	2311500	3-5	40.11	15113W	3-13	25	175648W	2-8	20
231470	3-5	40.24	2311594	3-7	51.1	15127W	3-7	50.1	182209W	1-7	33
231470	3-13	18	2311608	3-5	40.4	15127W	3-13	6	182209W	3-14	7
231955	3-9	7	2311611	3-7	52.2	15127W	3-14	5	182209W	3-16	7
231955	3-13	22	2311634	2-7	3	15127W	3-15	5	182752W	2-2	12
232706	3-7	50.43	2311638	2-6	2	15127W	3-16	5	182752W	2-3	12
232984	3-5	40.16	2311639	2-7	4	15127W	3-17	5	18535W	2-2	6
232984	3-5	41.3	2311642	2-7	5	15128W	1-7	25	18535W	2-3	6
232984	3-7	50.36	2311644	2-6	4	15128W	1-9	5	18669W	4-3	14
234505	3-22	10	2311645	2-6	5	15128W	1-11	5	18738W	1-7	18
234509	3-23	9	2311646	2-6	6	15128W	1-13	5	196280W	1-3	5.1
234740	3-23	1	2311647	2-6	31	15128W	1-15	5	196280W	1-5	5.1
234740	3-24	1	2311649	2-6	7	15128W	1-17	6	196280W	4-3	18
235387	2-6	28	2311653	2-6	3	15133W	3-14	6	200454W	2-2	19
235387	3-5	42.1	2311653	2-7		15133W	3-15	6	200454W	2-3	19
236855	3-9	4	2311655	2-6	15	15133W	3-16	6	21420W	1-3	10.3
236855	3-13	20	2311656	2-6	1	15133W	3-17	6	21420W	1-5	10.3
238209	2-4	16	2311682	2-6	24	15134W	3-7	50.2	220000W	3-13	4
242260	3-9	2	2311683	2-6	19	15157W	3-13	24	220000W	3-14	9
242629	3-13	19	2311684	2-6	21	151588W	2-9	7	220000W	3-15	9
243057	1-7	38	2311685	2-6	22	151589W	1-3	10.6	220000W	3-16	9
243474	3-13	26	2311686	2-6	17	151589W	1-5	10.6	220000W	3-17	9
243507	3-13	27	2311687	2-6	18	15158W	1-7	34	220998W	3-18	6
243815	3-5	40.3	2311713	2-7	6	15158W	1-9	19	221336W	4-2	12
243815	3-5	40.3	2311714	2-7	7	15158W	1-13	19	221577W	2-8	10
243815	3-7	50.43	2312029	2-7	2	15158W	2-8	11	221701W	1-17	10
250589	3-13	1	2312132	3-18	6	15158W	2-9	8	221707W	3-7	50.3
250589	3-21	5	2312271	2-4	1	15158W	3-14	14	221711W	2-2	33
252134	3-7	50.45	2312273	2-4	2	15158W	3-16	14	221711W	2-3	33
259543	1-7	28	2312275	2-4	3	151646W	1-3	10.7	221716W	2-2	32
2310013	3-22	9	2312276	2-4	4	151646W	1-5	10.7	221716W	2-3	32
2310013	3-23	10	2312277	2-4	5	15166W	4-3	15	221717W	2-9	10
2310013	3-24	11	2312279	2-4	10	15272W	1-3	5.2	221720W	1-7	29
2310181	3-9	6	2312441	2-7	5	15272W	1-5	5.2	221725W	1-7	26
2310208	1-11	17	2312442	2-6	6	15272W	4-3	16	221725W	1-9	4
2310208	1-15	17	2313647	3-9		15290W	1-3	5.4	221725W	1-11	4
2310209	1-11	21	2313921	3-7	50.45	15290W	1-5	5.4	221725W	1-13	4
2310209	1-15	21	129563W	1-9	14	15290W	2-4	6	221725W	1-15	4
2310225	1-11	23	129563W	1-11	14	15315W	2-4	7	221725W	1-17	8
2310225	1-15	23	129563W	1-13	14	15319W	1-3	10.5	221767W	2-6	30
2310331	1-11	20	129563W	1-15	14	15319W	1-5	10.5	221767W	2-7	9
2310331	1-15	20	129563W	3-5	40.47	15483W	2-4	8	221771W	2-2	15
2310337	3-9	9	12963W	2-6	20	15862W	2-9	17	221771W	2-3	15
2310430	3-7	50.45	1314454W	2-2	14	15881W	2-8	16	221775W	1-7	8

5-3

Part No.	Page No.	Item	Part No.	Page No.	Item	Part No.	Page No.	Item	Part No.	Page No.	Item
221777W	1-7	23	2303848W	2-8	13	2307103W	1-13	1	2307296W	3-14	1
221777W	2-2	26	2303898W	2-2	17	2307103W	1-15	1	2307296W	3-15	1
221777W	2-3	26	2303898W	2-3	17	2307103W	1-17	24	2307296W	3-16	1
221780W	1-7	6	2303898W	3-15	14	2307103W	3-13	10	2307296W	3-17	1
221780W	1-9	8	2303898W	3-17	14	2307104W	3-7	50.22	2307430W	2-2	4
221780W	1-11	8	2303902W	1-3	10.14	2307110W	1-3	11.2	2307430W	2-3	4
221780W	1-13	8	2303902W	1-5	10.14	2307111W	1-3	11.3	2307431W	2-2	5
221780W	1-15	8	2303992W	2-6	27	2307112W	1-3	11.4	2307431W	2-3	5
221780W	1-17	9	230406W	2-8	8	2307113W	1-3	11.5	2307438W	3-7	50.12
222442W	3-7	50.41	230407W	2-6	14	2307116W	1-9	17	2307439W	3-7	50.11
222442W	3-18	11	2304803W	2-9	9	2307116W	1-13	17	2307443W	3-20	
222442W	3-19	3	2305096W	2-9	14	2307121W	3-13	7	2307444W	3-20	1
222442W	3-21	9	2305097W	2-9	15	2307121W	3-14	2	2307491W	3-5	40.1
223453W	1-9	9	2305098W	2-9	13	2307121W	3-15	2	2307491W	3-21	
223453W	1-11	9	2305099W	2-9	16	2307121W	3-16	2	2307511W	3-21	1
223453W	1-13	9	2305541W	1-7	2	2307121W	3-17	2	2307532W	3-14	13
223453W	1-15	9	2305588W	1-7	21	2307122W	3-13	8	2307532W	3-15	13
226374W	4-3	12	2305617W	1-7	9	2307122W	3-14	3	2307532W	3-16	13
2300632W	2-8	2	2305620W	1-7	20	2307122W	3-15	3	2307532W	3-17	13
2300668W	2-6	10	2305715W	1-11	19	2307122W	3-16	3	2307551W	3-7	50.14
2300673W	2-6	11	2305715W	1-15	19	2307122W	3-17	3	2307551W	3-19	
2300693W	1-3	10.2	2305956W	2-9	5	2307123W	3-5	40.14	2307625W	3-5	40.1
2300693W	1-5	10.2	2306298W	1-17	5	2307123W	3-7	50.23	2307625W	3-7	50.5
2300712W	1-3	10.1	2306380W	4-2	18	2307125W	2-2	30	2307628W	3-13	11
2300712W	1-5	10.1	2306836W	1-7	13	2307125W	2-3	30	2307629W	3-13	12
2300962W	1-3	10.4	2306857W	1-7	14	2307141W	1-3	11.1	2307632W	3-7	50.21
2300962W	1-5	10.4	2306858W	1-7	17	2307154W	3-20	2	2307637W	1-18	4
2301140W	1-17	7	2306910W	2-5		2307208W	3-5	40.35	2307639W	3-5	40.38
2301529W	1-9	12	2306927W	2-2	9	2307208W	3-7	50.34	2307640W	3-13	2
2301529W	1-11	12	2306927W	2-3	9	2307209W	3-5	40.36	2307640W	3-22	
2301529W	1-13	12	2306936W	2-2	10	2307211W	3-5	40.37	2307642W	2-2	3
2301529W	1-15	12	2306936W	2-3	10	2307225W	1-3	10.11	2307642W	2-3	3
2301530W	1-9	11	2306937W	2-2	16	2307225W	1-5	10.11	2307642W	2-4	
2301530W	1-11	11	2306937W	2-3	16	2307226W	1-3	10.12	2307644W	3-13	3
2301530W	1-13	11	2306938W	2-2	1	2307226W	1-5	10.12	2307646W	2-2	27
2301530W	1-15	11	2306945W	1-3	10.8	2307227W	3-19	5	2307646W	2-3	27
2301706W	4-2	5	2306945W	1-5	10.8	2307227W	3-21	2	2307646W	2-5	
2301706W	4-2	21	2306956W	2-2	22	2307231W	3-19	5	2307666W	2-2	34
2301706W	4-3	3	2306956W	2-3	22	2307231W	3-21	2	2307666W	2-3	34
2301718W	4-3	1	2307008W	3-5	40.2	2307232W	3-18	1	2307667W	3-7	50.8
2301722W	4-3	10	2307008W	3-18		2307233W	3-18	7	2307677W	2-3	2
2301726W	4-3	5	2307024W	3-18	2	2307234W	3-18	3	2307681W	3-7	50.29
2301727W	4-3	8	2307030W	3-5	40.26	2307235W	3-18	2	2307682W	3-7	50.3
2301732W	4-3		2307031W	3-5	40.27	2307236W	3-18	8	2307683W	3-7	50.31
2301748W	4-2		2307032W	3-5	40.28	2307245W	3-18	3	2307684W	3-7	50.28
2301749W	4-2	1	2307033W	3-5	40.29	2307246W	3-18	8	2307685W	3-7	50.27
2301783W	2-8	23	2307036W	3-5	41.5	2307247W	3-5	40.3	2307686W	1-5	12.3
2301785W	1-7	24	2307038W	3-5	40.3	2307265W	3-5	40.3	2307687W	1-5	12.2
2301785W	1-9	3	2307039W	3-5	40.31	2307265W	3-7	50.43	2307691W	1-5	12.1
2301785W	1-11	3	2307040W	3-5	40.32	2307291W	3-5	40.5	2307693W	1-3	10.18
2301785W	1-13	3	2307041W	1-9	15	2307292W	1-9	2	2307693W	1-5	10.18
2301785W	1-15	3	2307041W	1-11	15	2307292W	1-11	2	2307694W	2-3	1
2301907W	4-2	2	2307041W	1-13	15	2307292W	1-13	2	2307694W	3-11	
2301910W	4-2	7	2307041W	1-15	15	2307292W	1-15	2	2307695W	3-25	5
2301919W	4-2	14	2307041W	3-5	40.33	2307292W	3-14	10	2307696W	3-25	3
2301920W	4-2	13	2307047W	3-5	40.34	2307292W	3-15	10	2307702W	1-7	1
2301924W	4-2	20	2307051W	3-14	4	2307292W	3-16	10	2307706W	1-7	46
2301925W	4-2	15	2307051W	3-16	4	2307292W	3-17	10	2307707W	1-7	31
2302120W	4-2	11	2307054W	3-14	1	2307293W	3-5	40.9	2307708W	1-7	32
2302311W	2-9	11	2307054W	3-16	1	2307295W	3-14	4	2307711W	3-22	4
2302624W	2-9	2	2307057W	3-23	6	2307295W	3-15	4	2307736W	3-18	15
2302625W	2-9	4	2307057W	3-24	7	2307295W	3-16	4	2307782W	1-9	16
2302626W	2-9	1	2307092W	2-2	2	2307295W	3-17	4	2307782W	1-11	16
2303221W	1-3	6.2	2307103W	1-9	1	2307295W	3-23		2307782W	1-13	16
2303221W	1-5	6.2	2307103W	1-11	1	2307295W	3-24		2307782W	1-15	16

5-4

Part No.	Page No.	Item	Part No.	Page No.	Item	Part No.	Page No.	Item	Part No.	Page No.	Item
2307782W	3-5	40.39	2570W	4-3	6	398817W	4-2	22	R833251	3-5	41.2
2307787W	1-3	11.2A	2570W	4-3	9	398817W	4-3	2	R833251	3-7	50.6
2307791W	1-3	11.1A	259543W	1-9	6	398820W	1-11	24	R833257	3-5	40.13
2307793W	1-5	12.2A	259543W	1-11	6	398820W	1-15	24	R833257	3-9	8
2307798W	1-9	17	259543W	1-13	6	399784W	1-3	10.15	R833257	3-13	21
2307798W	1-11	22	259543W	1-15	6	399784W	1-5	10.15	R833266	3-7	50.13
2307798W	1-13	17	272-0348	1-17	23	44547W	2-8	17	R833270	3-25	6
2307798W	1-15	22	272-0350	1-17	22	53157W	1-7	30	R833351	3-7	50.19
2307800W	4-2	17	272-0351	1-17	21	53157W	1-9	7	R833400	3-5	40.25
2307802W	4-2	23	2817W	4-2	16	53157W	1-11	7	R833400	3-5	41.1
2307814W	1-9	20	282148W	2-9	6	53157W	1-13	7	R833400	3-7	50.4
2307814W	1-13	20	2821W	4-2	10	53157W	1-15	7	R833800	3-9	5
2307833W	3-13	1	283433W	2-9	19	53559W	2-8	7	R833802	3-7	50.48
2307834W	3-13	1	283434W	2-9	19	6607W	2-8	4	R833803	3-7	50.18
2307835W	3-13	1	292655W	1-7	41	86585W	2-6	25	R834003	3-7	50.24
2307890W	1-7	3	293647W	1-7	43	87287W	2-6	23	R834053	3-7	50.17
2307893W	1-7	10	293710W	1-7	22	90263W	2-8	19	R834053	3-13	9
2307894W	1-7	42	293729W	1-17	4	93878W	4-3	13	R834100	3-5	40.2
2307895W	1-7	44	296420W	1-7	12	95959W	1-3	6.1	R834100	3-7	50.33
2307896W	1-7	45	296420W	3-25	2	95959W	1-5	6.1	R834201	3-5	40.17
2307897W	3-13	28	296434W	1-17	3	95977W	2-8	9	R834203	3-5	40.18
2307898W	3-25	4	30059W	2-9	12	95978W	2-8	12	R834205	3-5	40.19
2307901W	1-7	40	313022W	2-4	19	HSP0000006	3-5	40.46	R834253	3-7	50.37
2307904W	3-7	50.39	331767W	4-2	4	R12001	3-9	3	R834254	3-7	50.38
2307905W	3-13	13	33394W	4-3	7	R12577880	3-5	40.44	WR6-263L	4-4	
2307906W	3-13	14	33656W	2-6	13	R12577882	3-5	40.45	WR6-399L	4-4	
2307907W	3-13	15	33657W	2-6	12	R12973129	3-13	1	WR7-189L	4-4	
2307908W	3-13	16	35135W	4-2	3	R13661	3-14	12	WR7-287L	4-4	
2307909W	3-13	17	35135W	4-2	8	R13661	3-15	12	WR8-147L	4-4	
2307910W	1-7	35	387316W	1-7	15	R13661	3-16	12	WR8-223L	4-4	
2307911W	1-7	36	398567W	1-3	10.16	R13661	3-17	12	Y01C-0428	3-13	23
2307921W	3-7	50.46	398567W	1-5	10.16	R13811045	2-4	17	Y01C-0432	3-7	50.32
2310978W	3-18	12	398567W	3-5	40.7	R15668	3-7	50.45	Y09G-0616	3-5	40.8
233693W	3-7	50.2	398817W	1-3	10.13	R15668	3-13	1	Y09G-0616	3-7	50.9
239147W	2-6	26	398817W	1-5	10.13	R2528352	3-5	40.6	Y17C-0616	2-6	29
239147W	2-7	10	398817W	1-7	19	R833133	3-5	40.23	Y17C-0616	2-7	8
245862W	2-2	8	398817W	1-17	11	R833200	3-5	40.15	Y17C-1024	1-7	7
245862W	2-3	8	398817W	4-2	6	R833251	3-5	40.12			



To find a dealer in your area,
Call: (503) 625-2560,
Fax: (503) 625-7269 , or
Email: marketing@alliedsystems.com, or
Visit our website: <http://www.alliedsystems.com>

The logo for Allied Systems Company, featuring the words "Allied Systems" in a bold, italicized font above the word "COMPANY" in a smaller, bold, sans-serif font, all contained within a black rectangular border.

Allied Systems
COMPANY

599027W 12/22/2011 Printed in USA