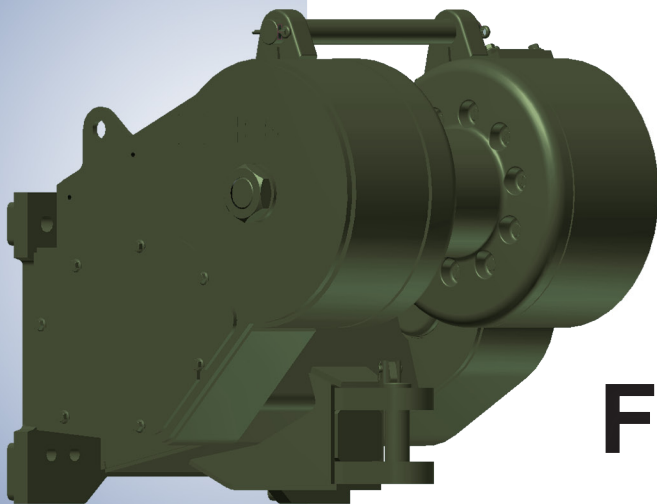




Parts Manual



Allied H6G

Hydraulic Towing Winch For 850JR Tractor

Please check the Allied Systems website
regularly for updates to this manual.
www.alliedsystems.com

CUSTOMER EDITION

A PRODUCT OF

Allied Systems
COMPANY

SHERWOOD, OREGON USA

P/N 599027W-H6GH1JE47

Printed in USA

01/20/2011

Safety Precautions

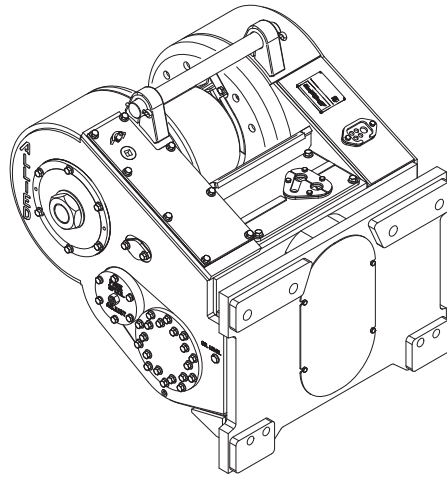
Observe the following precautions to prevent injury to personnel and damage to equipment.

- Do not operate winch unless tractor is equipped with a rear screen for operator protection against wire rope breakage.
- Authorized operators only!
- Report damage or erratic operation of the winch immediately.
- Do not stand while operating the tractor or the winch.
- Make sure that instruments and controls are operative before working the unit.
- Do not use control levers or handles as machine mounting assists.
- Do not use control levers or handles as hangers for clothes, water bags, grease guns, lunch pails, etc.
- Do not permit personnel in the control area when working or making checks on the machine.
- Do not allow riders on the machine or load.
- Use extreme care when operating close to other machines.
- Avoid operating near anyone working or standing.
- Do not stand or permit others to stand in a bight (loop) of the wire rope.
- Do not stand or permit others to stand near the winch or wire rope when it is under tension.
- Do not work with a damaged wire rope (broken wire or strands, or a decrease in the diameter of a wire rope, are warning signs).
- Do not leave the tractor while the wire rope is under tension.
- Avoid pulling the hook over the drum and through the throat of the winch.
- Do not anchor a double or two-part line to the winch.
- When not operating the winch, always leave it in neutral with the brake on.
- Never attempt to clean, oil or adjust a machine while it is in motion.
- Use extreme care when removing wire rope and ferrule from the drum. When the ferrule is released, the cable may spring out with force.

Winch serial number _____

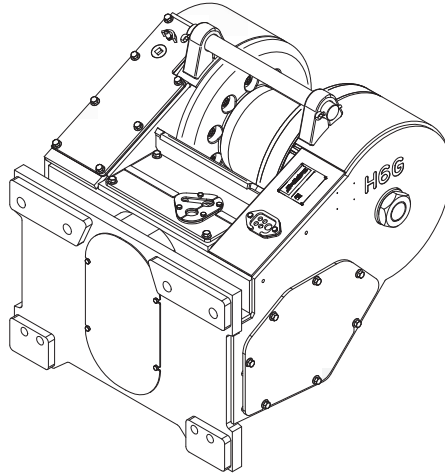
Date put into service _____

0-1
Index



1

2



3

4

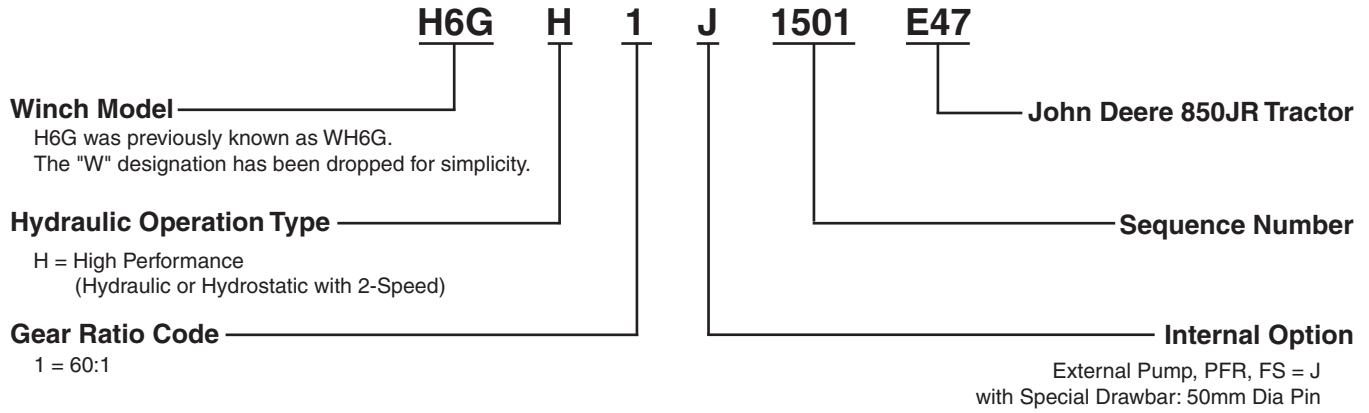
Ref	Item	Page
1	Frame/Covers/Mounting Parts	1-1
2	Gear/Shaft Train	2-1
3	Hydraulics/Controls	3-1
4	Options	4-1
5	Index-Numerical	5-1

5

Description	Page No.
Arch.....	4-2
Brake, Dry Disc	2-4
Fairlead	4-3
Frame/Covers.....	1-2
Hydraulic Group	3-2
Manifold - Directional	3-5
Manifold - Logic Control	3-6
Mounting Parts	1-4
Motor, Hydraulic - Two-Speed	3-4
Numerical Index	5-1
Oil Capacity.....	0-6
Oil Specifications	0-6
Reducer, Planetary	2-3
Shaft - Drum.....	2-5
Shaft - Intermediate	2-6
Shaft - Motor	2-2
Wire Rope Assemblies.....	4-4

Identification - Unit

Allied Winch S/N Nameplate Data For Tractor Mountings



Note: In Addition to the serial number plate, the serial number is stamped on the top left-hand side of the frame.

How to use the Illustrated Parts manual

5-2

Numerical Index

Part No.	Page	Item	Description	Part No.
108877W	2-8	23	O-Ring	1305093W
109453W	1-9	9	O-Ring	1306001W
109453W	2-2	10	O-Ring	1306002W
110322W	3-12	9	Clamp	1306003W
110322W	3-27	11	Shim, .005	1306003W
110931W	2-5	23	Shim, .007	1308400W
110932W	2-5	23	Shim, .020	1308401W
110933W	2-5	23	Clamp, Strap	1308402W
114312W	3-10	24	O-Ring	1308403W
118361W	3-7	13	O-Ring	1308406W
118361W	3-8	16	O-Ring	1308436W
118361W	3-9	21	O-Ring	1308437W
118365W	3-9	26	O-Ring	1308438W
118365W	2-6	17	Seal, Oil	1308439W
119491W	2-5	3	Cap screw	1308440W
12327W	2-11	9	Bearing	1308441W
12447W	2-2	8	Clamp	1308442W
125399W	3-3	6	Clamp	1308443W
127045W	3-5	14	Snap-Ring	1311111W
127045W	2-10	3	Snap-Ring	1311112W

0-2

Index-Master

Description	Page No.
Arch	4-3
Box-Gear	2-5 thru 2-7
Brake	2-10
	2-9
	2-9
	1-4
	4-3 & 4-4

2-2

Shaft-PTO

Last Used on S/N WBLP-2099 & AWBL-1000

Tractor Model	Shaft-PTO (Item 3)		Bearing Carrier (Item 4)	Pin (Item 5)	Lo Pin (Item 6)
	49.8:1	71.6:1			
Caterpillar D7 DD	132909W	98362W	19929W	96	
Caterpillar D7 FS	132909W	98362W	19929W		
Caterpillar 572	132909W	98362W	19929W		
Flat-Allis 16B	216222W		19929W		
Flat-Allis 20	132909W	216222W	9563W		
Dresser TD-20E	258766W		98362W	19929W	
Komatsu D85A-12E-16 Dec-1 D85ECS	219032W		98362W	213129W	
John Deere D700A	258954W	253030W	98362W		

Item	Part No.	Description	A	B	Item
1	134078W	Shim, .005	A/R	A/R	11
1	134079W	Shim, .007	A/R	A/R	11
2	79383W	Seal, Oil	1	1	12
3	"a	Shaft, PTO	1	1	13
4	"a	Bearing, Carrier	1	1	14
5	"a	Pin	1	1	15
6	"a	Ring, Lock	1	1	16
7	"a	Coupler	1	1	1
8	36573W	Ring, Snap	1	1	1
9	125399W	Bearing	1	1	1
10	109453W	O-Ring	1	1	1

0-1

Index-Illustrated

Ref	Item	Page
1	Frame/Covers/Decals/Parts-Mounting	1-1
2	Gear Train/Shaft	2-1
3	Hydraulics/Controls	3-1
4	Optional	4-1
5	Numerical Index	5-1

When the part number and the next higher assembly is not known:

1. Use: Determine the function and application of the part required. Turn to the illustrated index page immediately behind the front cover, and select the most appropriate area.
2. Use the table of contents at the beginning of each chapter to determine the assembly which would normally contain the part required. Proceed then to locate the part on the assembly breakdown page.

When the part number is not known and the next higher assembly is known:

1. Determine the assembly the required part is used on. Turn to the master index (which immediately follows the illustrated index).
2. Locate the assembly on which the required part is used, and turn to the page indicated for that assembly. Proceed to locate the part on the assembly breakdown page.

When the part number is known:

Use the numerical index to find the part number. Turn to the page listed and locate the part as indicated by the reference number.

General:

The assembly breakdowns include part numbers, descriptions, quantities required, keys and footnotes to help in selecting the correct parts.

Keys are used to show effective serial numbers for two or more similar assemblies, LH and RH assembly parts, etc. Select the appropriate key, "A," "B," "C," or "D" and the corresponding quantity column to find the required parts.

Indent dots are used to indicate assemblies and sub-parts of assemblies. No dot indicates the major assembly. Part descriptions which are indented with dots are sub-parts of the major assembly shown above.

Quantities shown are for one assembly. Note that when two assemblies are shown, but the quantity of the sub-parts is indicated as three, this means three per assembly - for a total of six. AR means As Required, and NSS indicates Not Sold Separately.

Serial numbers are shown to allow for the most current parts information to be incorporated into the parts manual. See page 0-3 for serial number information.

Ordering Parts:

When ordering replacement parts, give the unit serial number, part number, name of part and quantity required.

For any further information on parts, service or ordering, consult your local winch dealer, or contact Allied Systems Company:

Allied Systems Company
21433 SW Oregon Street
Sherwood, OR 97140 USA

Phone: 503-625-2560
Fax: 503-625-5132
E-Mail: parts@alliedsystems.com

Also see our website, www.alliedsystems.com, where the most current copy of this manual is always available.

NOTE: This publication may be translated to different languages for sole purpose of easy reference in non-English speaking locations. Should there be differences in interpretations to the text, please refer to the English language edition published by Allied Systems Company as the controlling document.

Oil Specifications

Oil Selection & Recommended Oil List

For inside winch housing, use the following oils:

Hydraulic System (Pump):	Use Tractor Fluid (Gear Oil MIL-PRF-2105E)
Winch Case (Gear Train):	

Figure 1 - Recommended Oil List

Oil Capacity

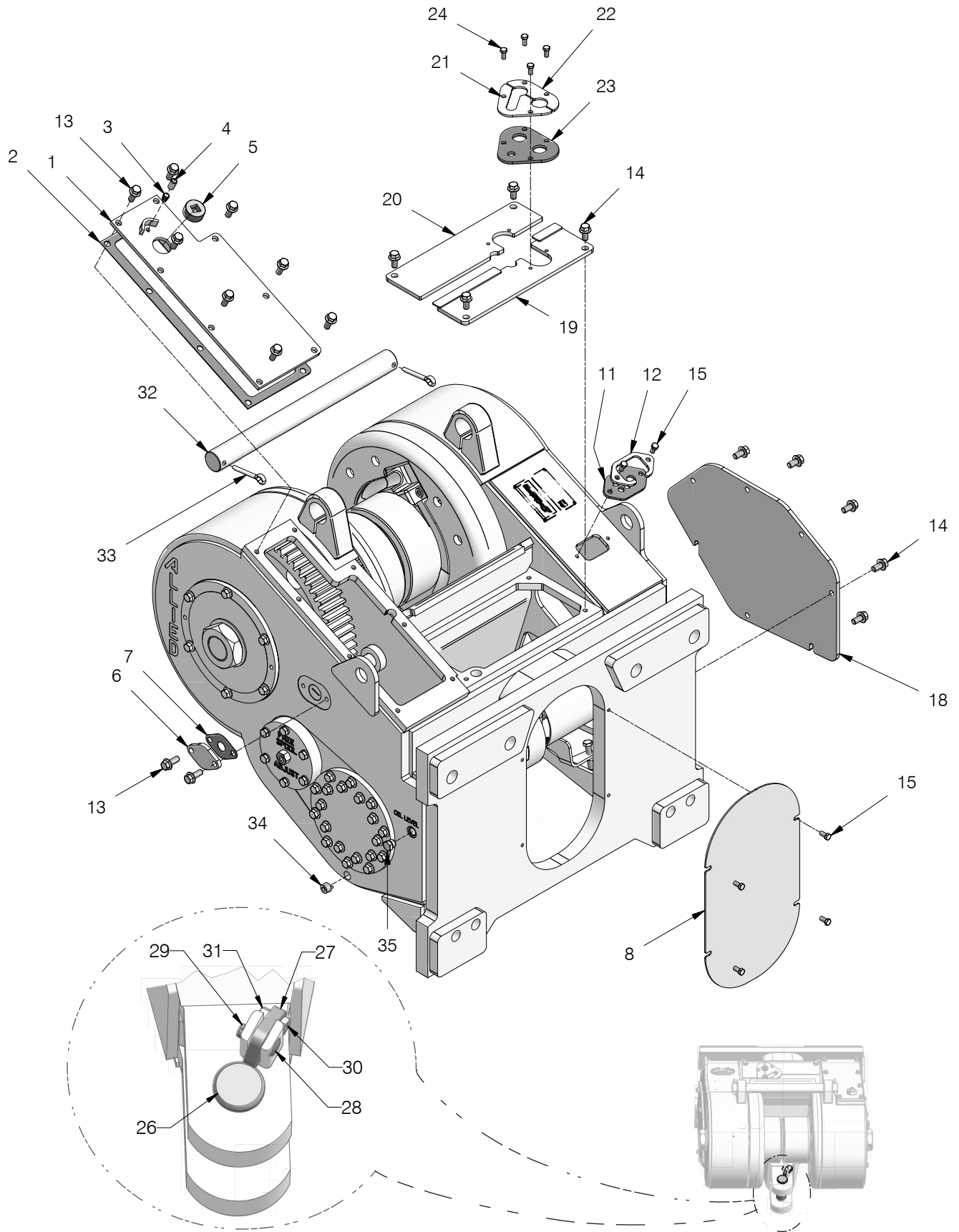
The oil capacity for the H6G winch is 8.5 quarts (8 liters).



Frame/Covers/Decals/Mounting Parts

Frame/Covers 1-2 & 1-3
Mounting Parts 1-4 & 1-5

Frame/Covers



Frame/Covers

Item	Part No.	Description	Qty	Item	Part No.	Description	Qty
1	2300721W	Cover, RH	1	20	2307110W	Top Cover	1
2	2300693W	Gasket, Top Cover	1	21	2307111W	Cover	1
3	21420W	Plug, Breather	1	22	2307112W	Cover	1
4	2300962W	Cap, Breather	1	23	2307113W	Gasket, Hose Cover	1
5	15319W	Fitting	1	24	194090W	Capscrew	4
6	151589W	Plate	1	26	2310748	. Pin, Drawbar	1
7	151646W	Gasket	1	27	145499W	. Latch, Drawbar Pin	1
8	2306945W	Cover, Front	1	28	159W	. Pin, Rod End	1
11	2307225W	Gasket, Hose Seal	1	29	15223W	. Pin, Cotter	1
12	2307226W	Cover	1	30	16829W	. Capscrew	1
13	2303848W	Flangescrew	10	31	15058W	. Nut	1
14	2303902W	Flangescrew	11	32	196280W	Tierod	1
15	194090W	Capscrew	6	33	15272W	Pin	2
18	2307693W	Cover, LH	1	34	15290W	Fitting	1
19	2307141W	Top Plate	1	35	14595W	Fitting	1

Mounting Parts

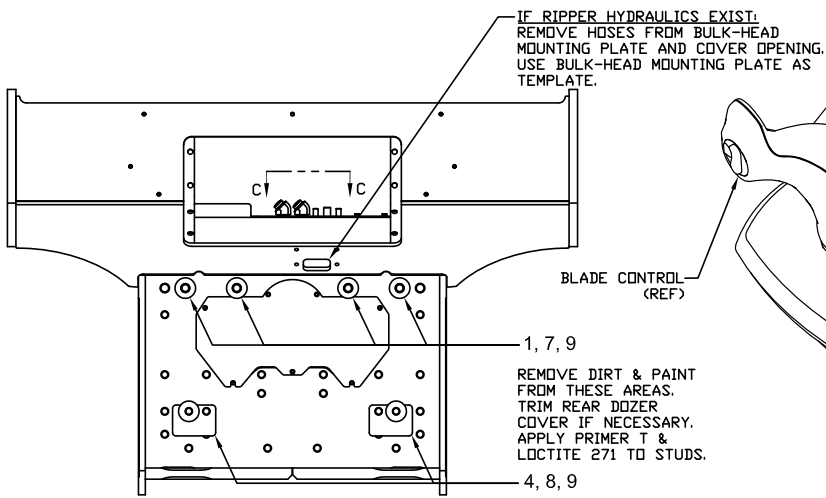


FIGURE A: TRACTOR REAR FACE
TRACTOR PREPARATION

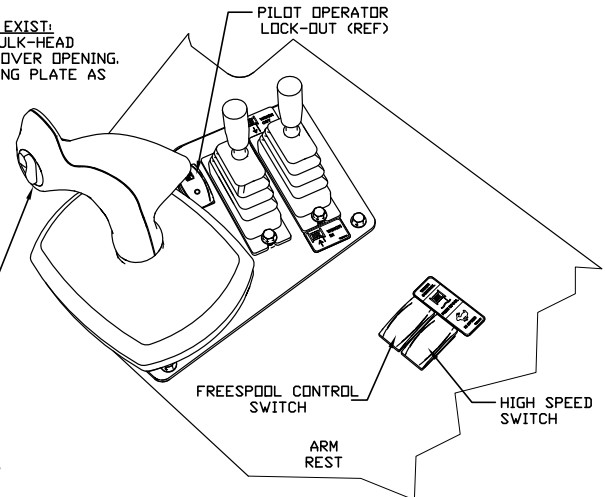


FIGURE D: RIGHT-HAND CONSOLE
DECAL POSITION

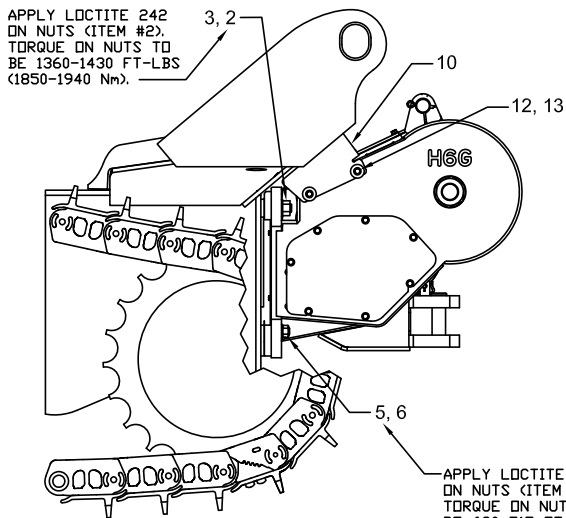


FIGURE E: WINCH INSTALLATION

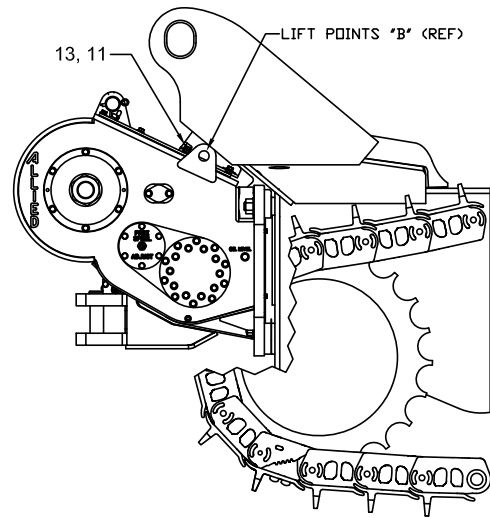
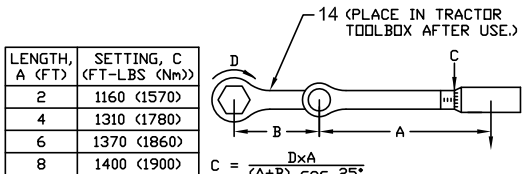


FIGURE F: WINCH INSTALLATION

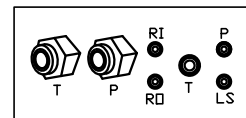


LENGTH, A (FT)	SETTING, C (FT-LBS (Nm))
2	1160 (1570)
4	1310 (1780)
6	1370 (1860)
8	1400 (1900)

$$C = \frac{D \times A}{(A+B) \cos 25^\circ}$$

USE EXTENSION TO TIGHTEN NUTS. TORQUE WRENCH MUST BE PARALLEL TO EXTENSION.

WHERE
 A = LENGTH OF TORQUE WRENCH (FT)
 B = LENGTH OF EXTENSION = 0.592 FT
 C = TORQUE WRENCH SETTING (FT-LBS)
 D = TORQUE ON NUTS = 1360 FT-LBS



DETAIL C: TRACTOR HYDRAULIC CONNECTIONS

MATCH LABELS ON HOSES TO LABELS ON TRACTOR.

SECURE HOSES, SLEEVES, AND WIRE HARNESS WITH PLASTIC TIE STRAPS (15)

Mounting Parts

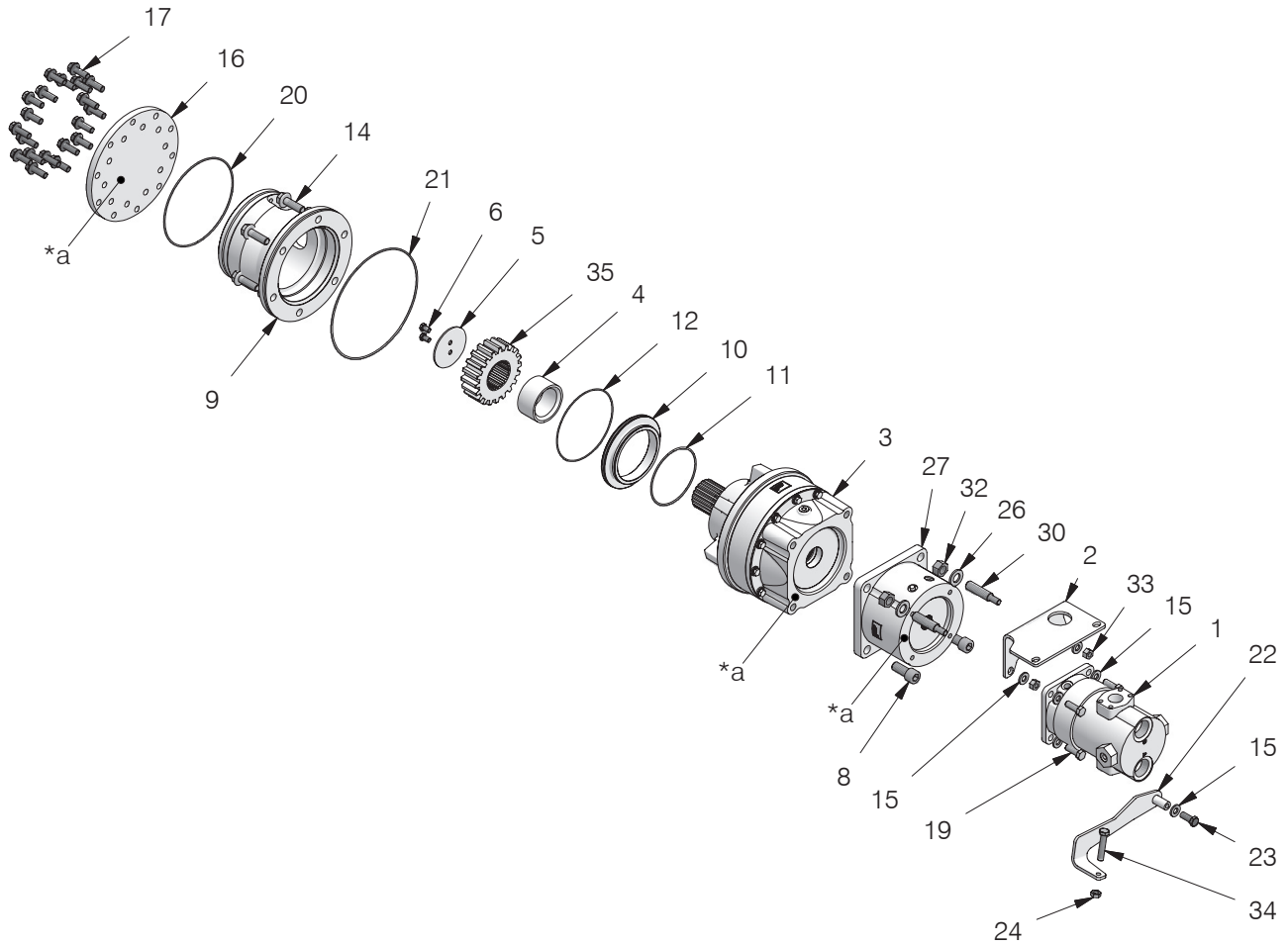
Item	Part No.	Description	Qty	Item	Part No.	Description	Qty
1	2301785W	Stud	4	9	223453W	Shim, .020	AR
2	221725W	Nut	4	10	2310865	Cover, Hose Guard	1
3	15128W	Washer	4	11	2303898W	Screw, Flange	2
4	259543W	Stud	4	12	398820W	Screw, Flange	2
5	221721W	Nut	4	13	2305715W	Washer	4
6	221780W	Washer	4	14	2310958	Wrench, Extension Torque	1
7	2301529W	Spher, Washer	4	15	129563W	Clamp - Strap	4
8	2311123	Mounting Pad	2				

Intentionally Blank

Gear/Shaft Train

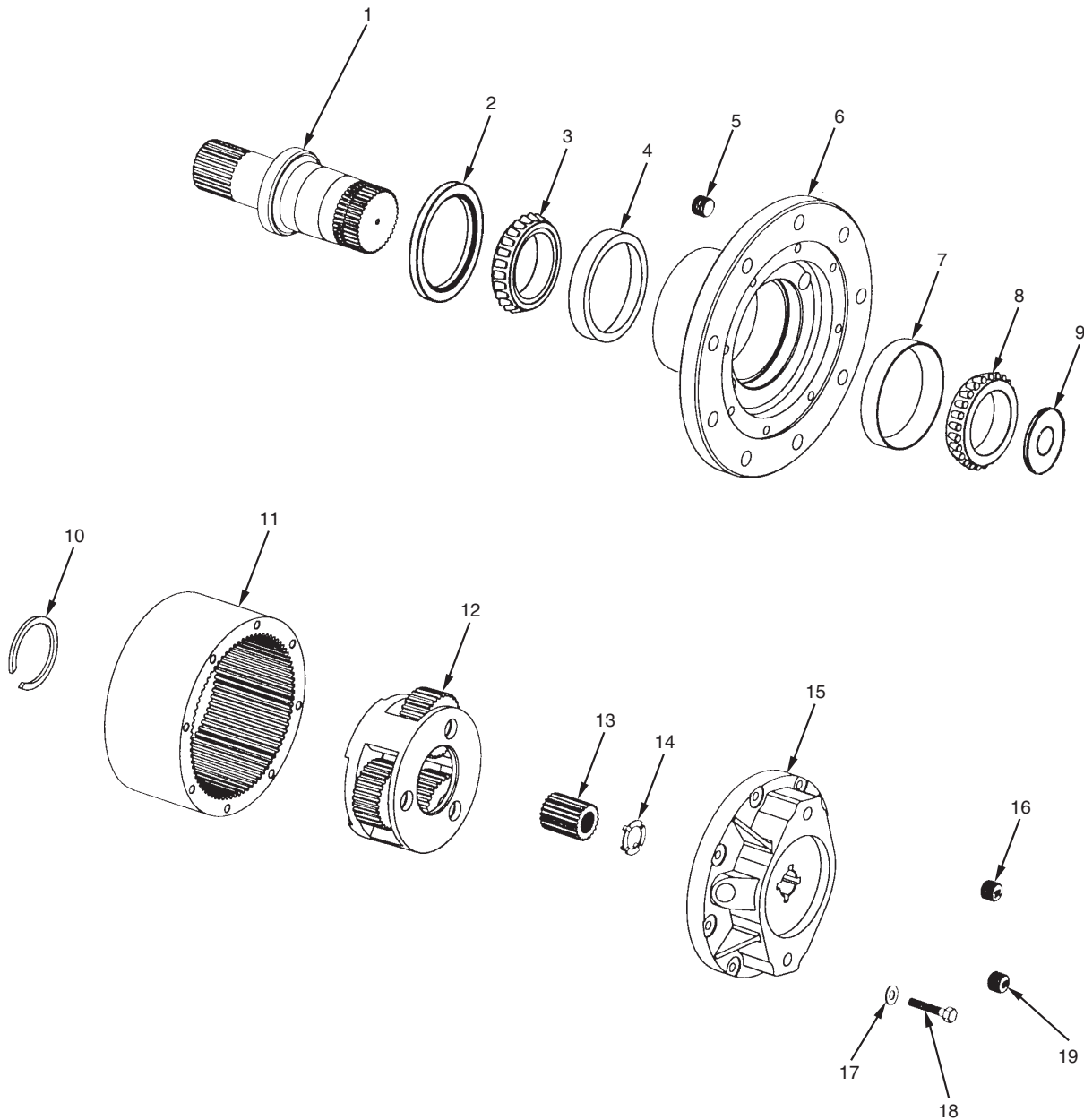
Brake, Dry Disc	2-4
Motor Shaft	2-2
Reducer, Planetary	2-3
Shaft - Drum	2-5
Shaft - Intermediate Gear	2-6

Motor Shaft



Item	Part No.	Description	Qty	Item	Part No.	Description	Qty
1	2306938W	Motor, Two-Speed (See p. 3-4)	1	19	*a	Capscrew	4
2	2307092W	Plate, Manifold Bracket	1	20	16783W	O-Ring	1
3	2307642W	Planetary Reducer Assy (See p. 2-3)	1	21	14718W	O-Ring	1
4	2307430W	Spacer	1	22	2306956W	Bracket	1
5	2307431W	Gear Retainer	1	23	16830W	Capscrew	1
6	18535W	Capscrew	2	24	15011W	Nut	1
8	245862	Capscrew	2	26	221777W	Washer	2
9	2306927W	Reducer, Mounting	1	27	2307646W	Brake, Dry Disk (see p. 2-4)	1
10	2306936W	Seal Ring	1	30	2307125W	Stud	2
11	15892W	O-Ring	1	32	221716W	Nut	2
12	182752W	O-Ring	1	33	221711W	Nut	2
14	1314454W	Screw	6	34	2307666W	Capscrew	1
15	221771W	Washer	7				
16	2306937W	Plate, Motor Shaft Mounting	1		*a	Uses Sealant P/N 313022W	
17	2303898W	Screw	20				

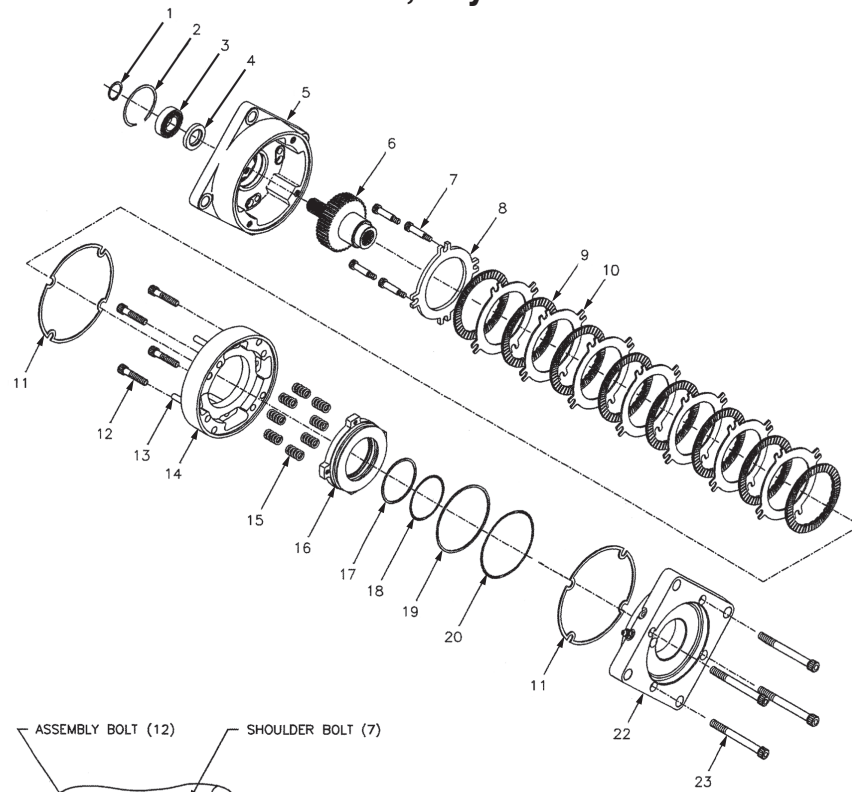
Reducer, Planetary



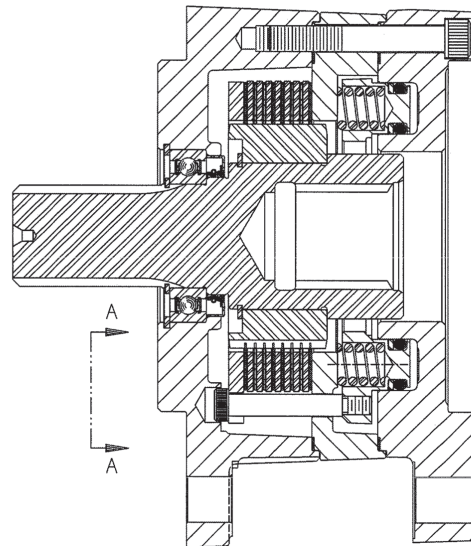
Item	Part No.	Description	Qty	Item	Part No.	Description	Qty
	2307642W	Planetary Reducer		12	---	. Carrier Assembly	1
1	25414	. Output Shaft	1	13	---	. Sun Gear	1
2	*a, *b	---	1	14	---	. Thrust Washer	1
3	*a	225335 . Bearing Cone	1	15	---	. Cover, 8" D/4 Mount	1
4	*a	225336 . Bearing Cup	1	16	226108	. Magnetic Plug	1
5		235255 . Plug	1	17	---	. Washer	12
6		---	1	18	---	. Bolt, Hex Head	12
7	*a	225338 . Bearing Cup	1	19	225347	. Plug	1
8	*a	225339 . Bearing Cone	1				
9		228886 . Thrust Washer	1				
10	*a, *b	238209 . Retaining Ring	1				
11	---	---	1				

*a Included in Bearing & Seal Kit 2307249W
 *b Included in Seal Kit 2307250W

Brake, Dry Disc



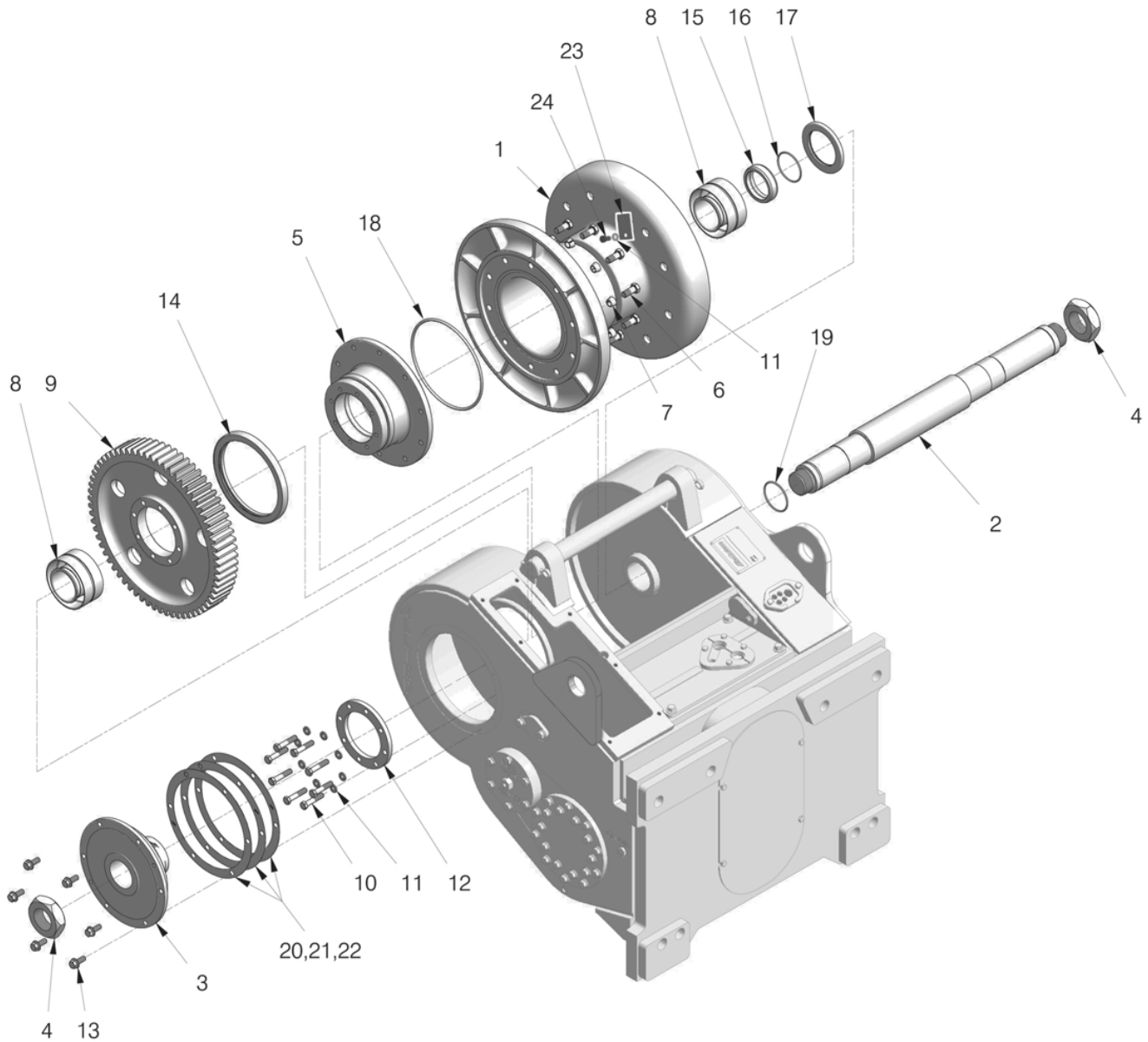
**VIEW A-A
STACK ASSEMBLY
DETAIL**



Item	Part No.	Description	Qty	Item	Part No.	Description	Qty
	2306910W	Brake, Dry Disc					
1	NSS	. Retaining Ring	1	14	NSS	. Spring Plate	1
2	NSS	. Retaining Ring	1	15	*d	NSS . Spring, Red	10
3	*c	NSS . Bearing	1	16	NSS	. Piston	1
4	*b,*c	NSS . Oil Seal	1	17	*b	NSS . Backup Ring	1
5	- - -	. Cover Plate	1	18	*b	NSS . O-Ring	1
6	NSS	. Spline Shaft Assembly	1	19	*b	NSS . Backup Ring	1
7	NSS	. Bolt	4	20	*b	NSS . O-Ring	1
8	*a	NSS . Primary Disc	1	22	NSS	. Pressure Plate	1
9	*a	NSS . Rotor Disc	8	23	NSS	. Capscrew	4
10	*a	NSS . Stator Disc	7		*a	Included in Lining Kit 250847	
11	*a,*b,*c,*d	NSS . Case Gasket	2		*b	Included in O-Ring Kit 250848	
12	NSS	. Capscrew	4		*c	Included in Bearing Kit 250849	
13	- - -	. Dowel Pins	4		*d	Included in Spring Kit 250850	

2-5

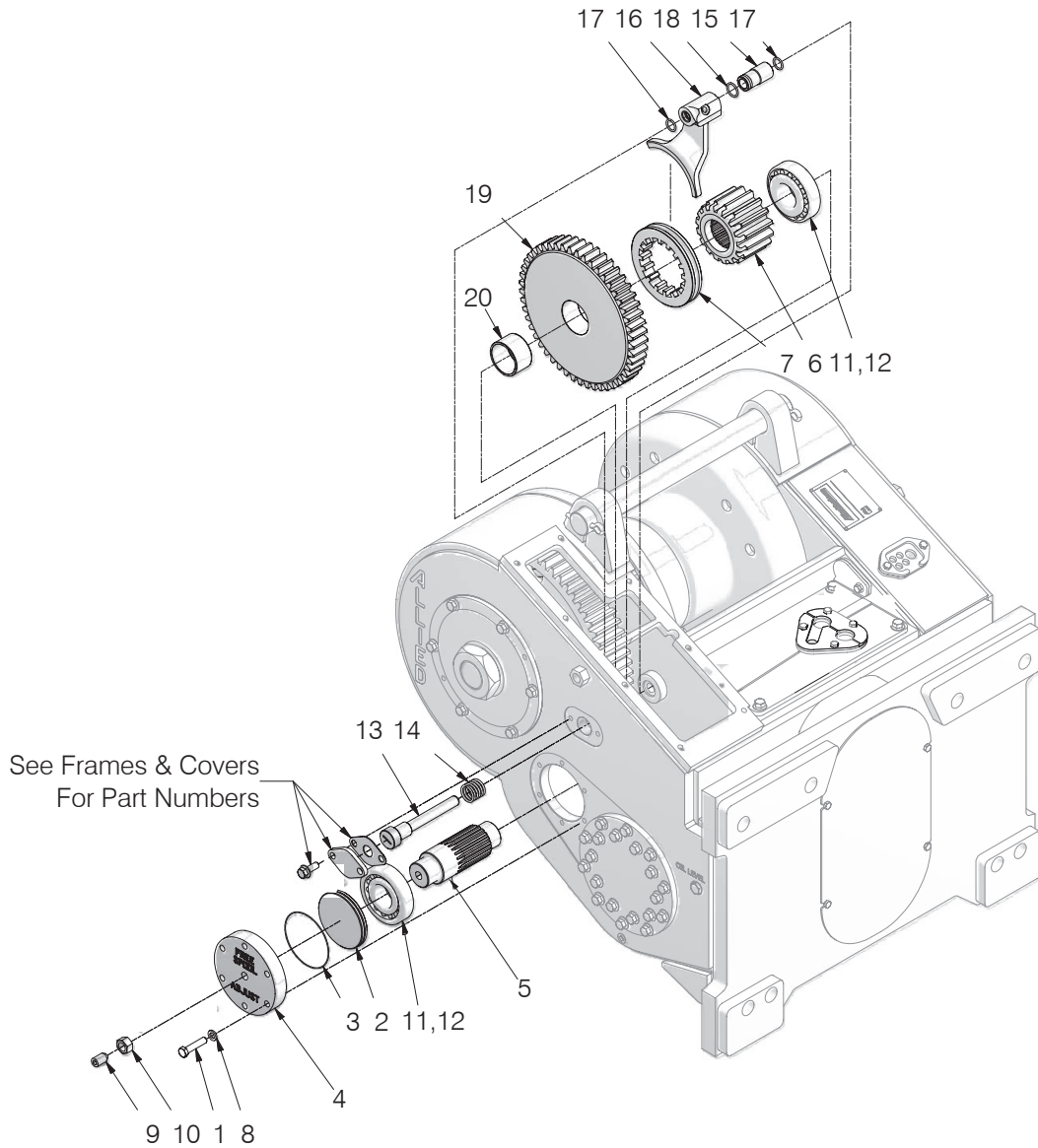
Shaft - Drum



Item	Part No.	Description	Qty	Item	Part No.	Description	Qty
1	141676W	Drum	1	14	141671W	Oil Seal	1
2	*a 2300632W	Drum Shaft	1	15	*a 172808W	Spacer	1
3	172810W	Drum Retainer	1	16	15881W	O-Ring	1
4	*a 6607W	Nut	2	17	44547W	Oil Seal	1
5	141674W	Adapter	1	18	133927W	Piston Seal Ring	1
6	2310891	Capscrew	10	19	90263W	O-Ring	1
7	53559W	Thimble	10	20	175648W	Shim, .020	AR
8	230406W	Roller Bearing	2	21	175647W	Shim, .007	AR
9	95977W	Drum Gear	1	22	175646W	Shim, .005	AR
10	221577W	Capscrew	8	23	2301783W	Ferrule Keeper	1
11	15158W	Washer	9	24	16829W	Capscrew	1
12	95978W	Retainer Plate	1				
13	2303848W	Flangescrew	6				
				*a	Requires Sealant P/N 358674W		

Shaft - Intermediate Gear

With Freespool

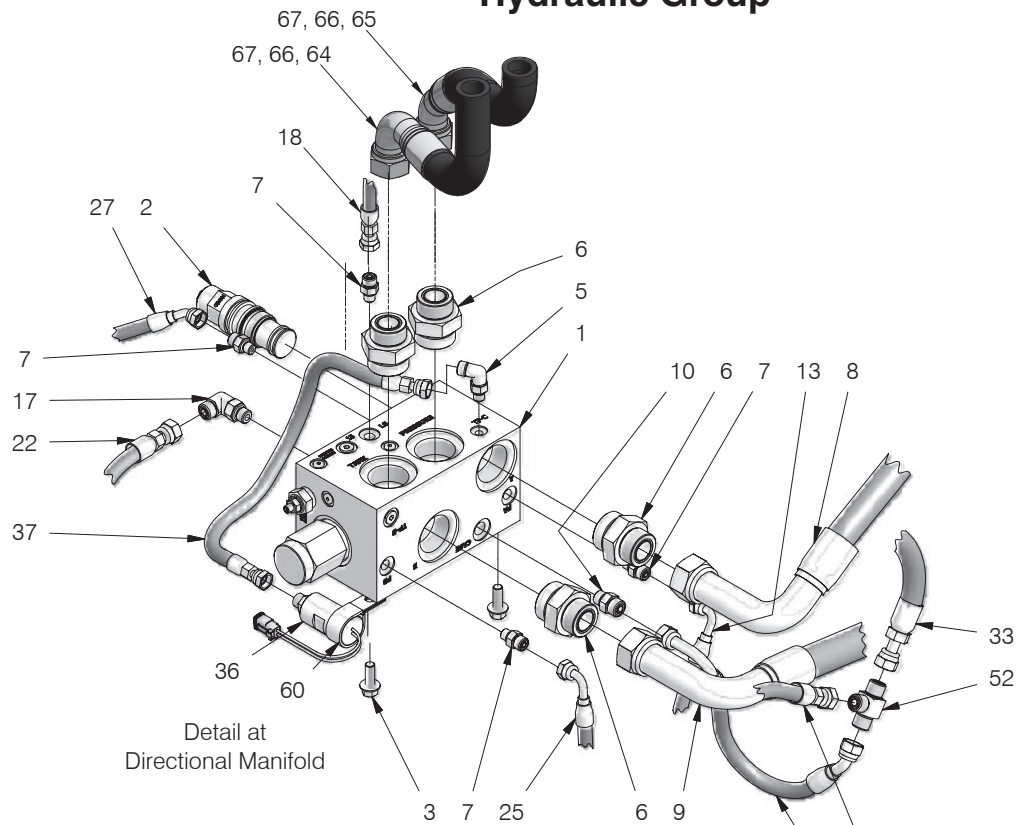


Item	Part No.	Description	Qty	Item	Part No.	Description	Qty
1	2302626W	Capscrew	6	12	30059W	Bearing Cup	2
2	2302624W	Piston, Adjust	1	13	*a 2305098W	Freespool Shaft	1
3	159940W	O-Ring	1	14	2305096W	Spring	1
4	2302625W	Housing, Freespool Adjust	1	15	2305097W	Freespool Piston	1
5	2305956W	Intermediate Shaft	1	16	2305099W	Freespool Shifter Fork	1
6	282148W	Pinion Gear	1	17	15862W	O-Ring	2
7	151588W	Dental Clutch	1	18	61056W	O-Ring	1
8	15158W	Washer	6	19	283434W	Intermediate Gear	1
9	2304803W	Screw	1	20	NSS	Bushing	1
10	221717W	Nut	1				
11	2302311W	Bearing Cone	2				
				*a	Apply 318702W Threadlock to Threads		

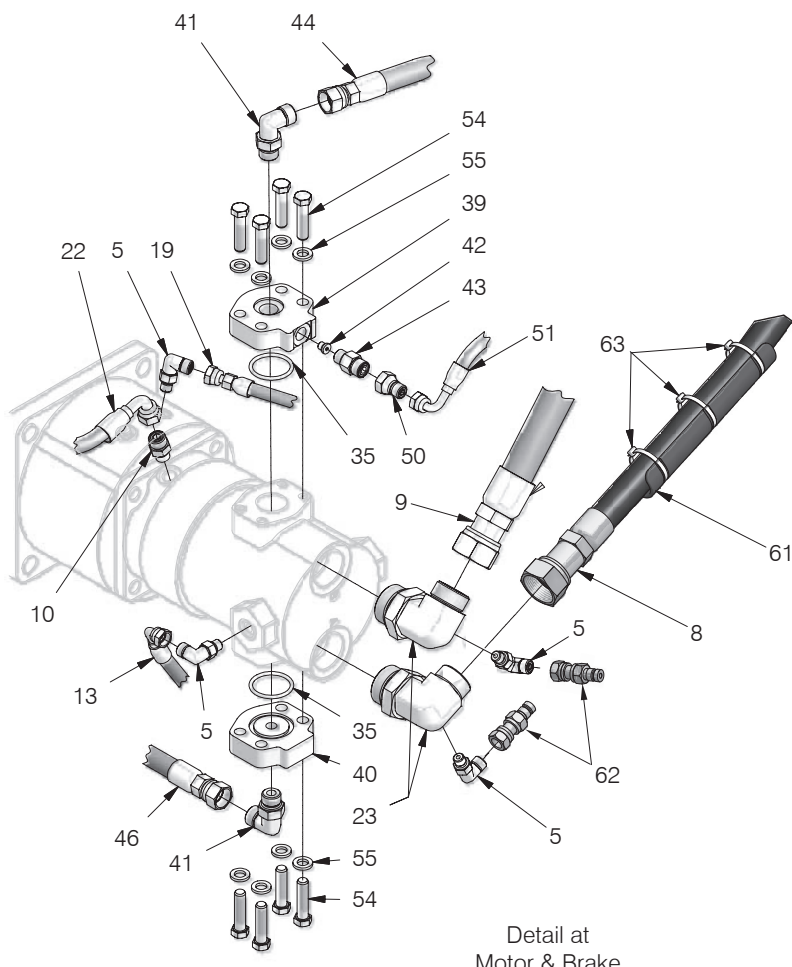
Hydraulics/Controls

Hydraulic Group	3-2 & 3-3
Hydraulic Motor - Two-Speed	3-4
Manifold, Directional	3-5
Manifold, Logic Control	3-6

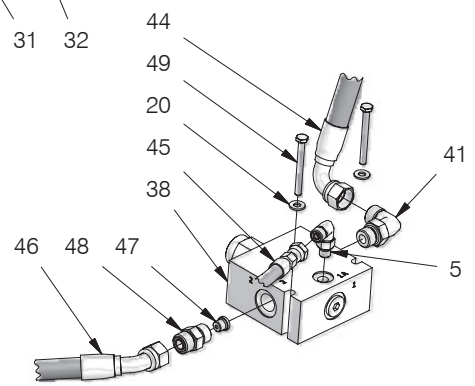
Hydraulic Group



Detail at Directional Manifold

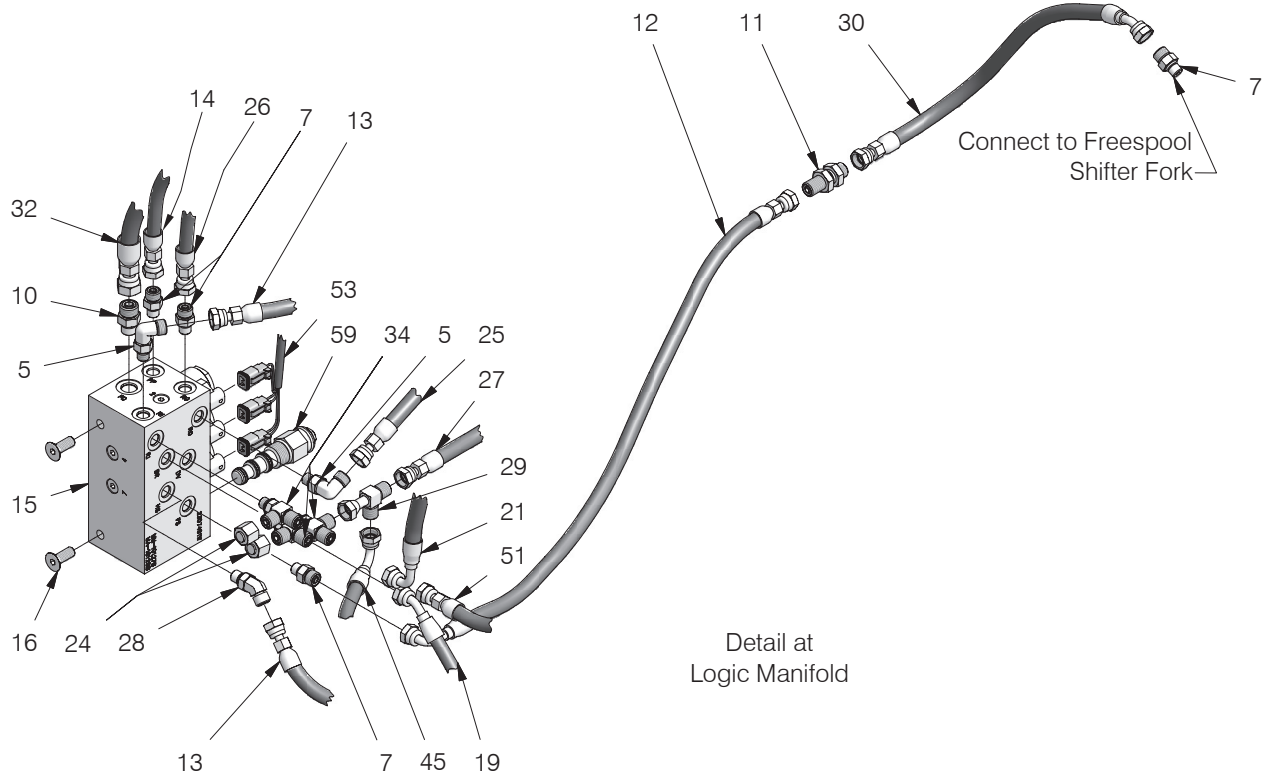


Detail at Motor & Brake



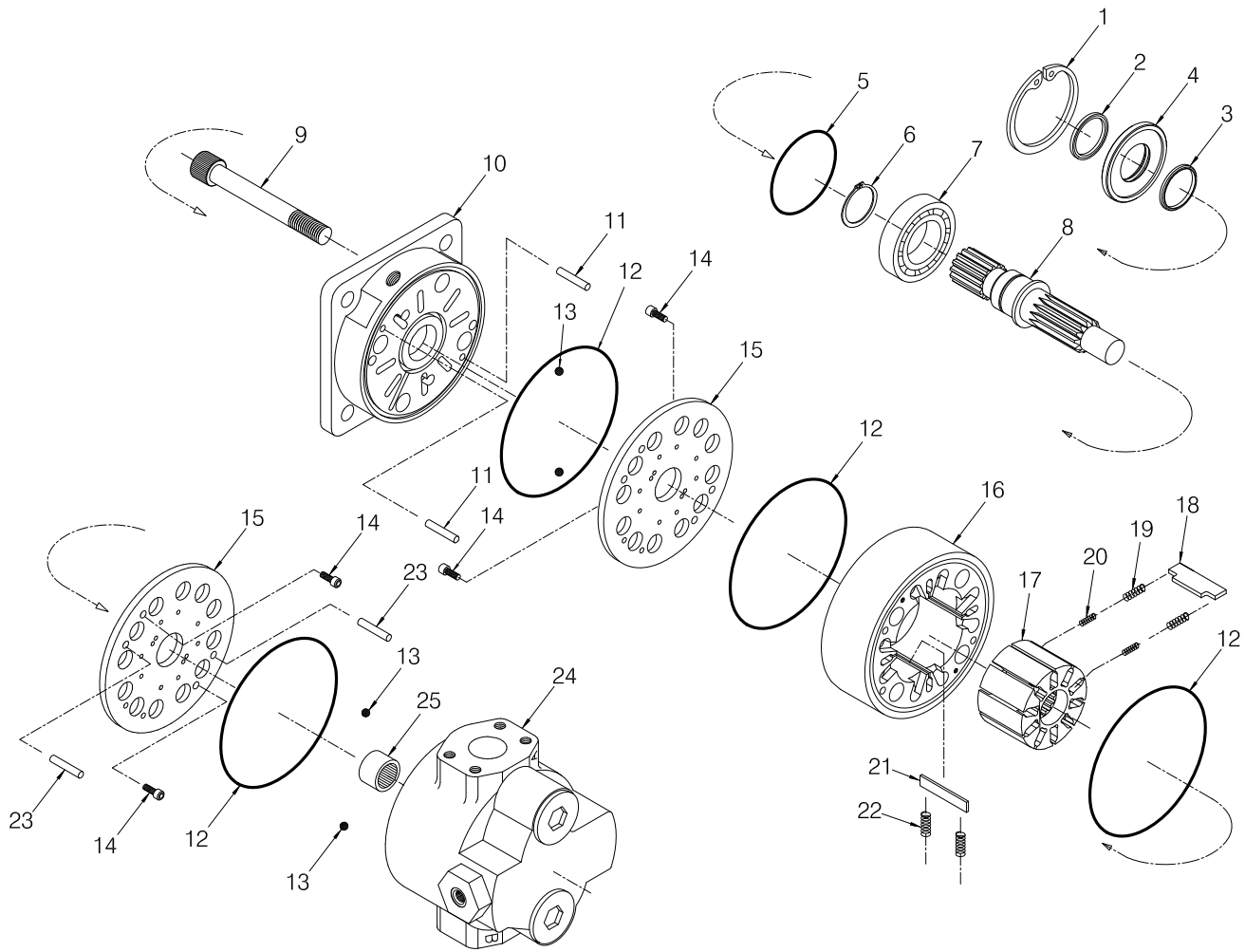
Detail at Bypass Manifold

Hydraulic Group



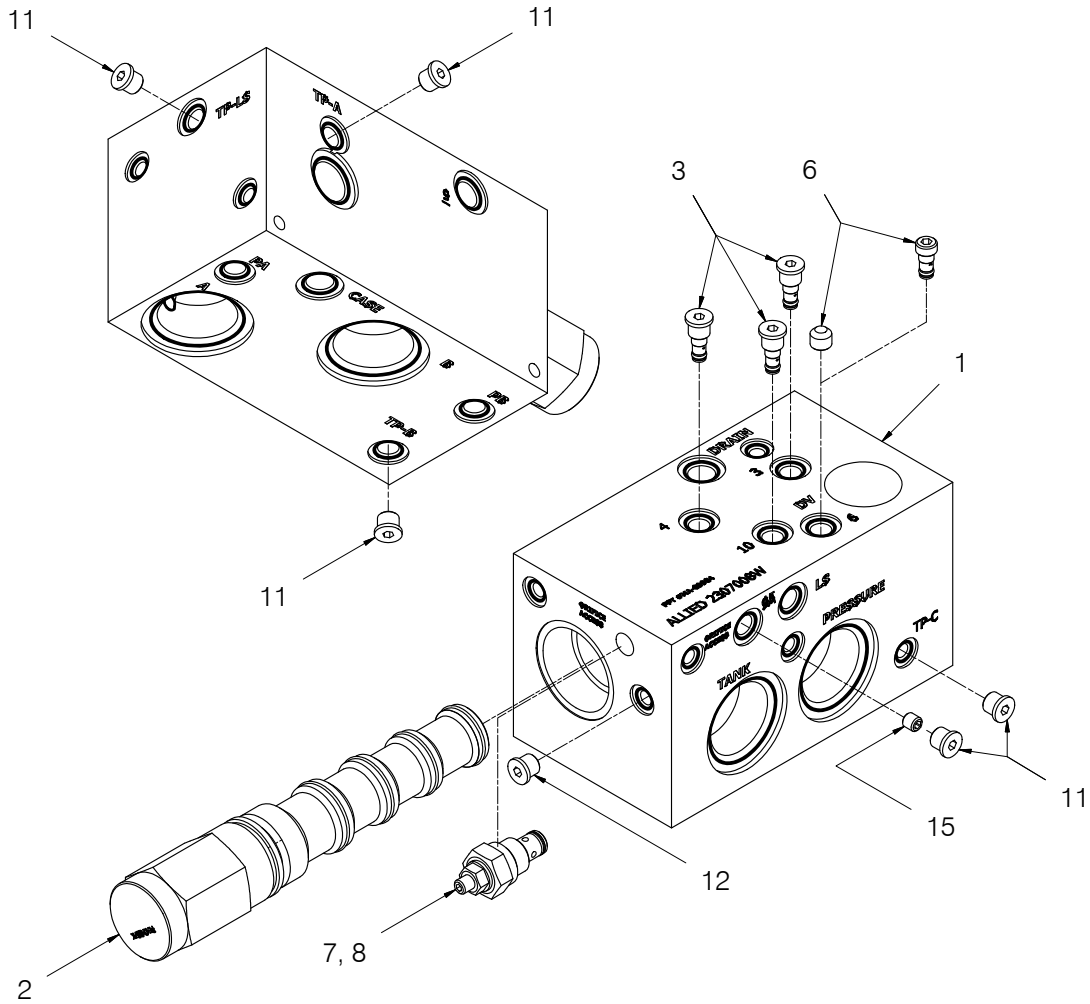
Item	Part No.	Description	Qty	Item	Part No.	Description	Qty
1	2307008W	Directional Manifold (see p. 3-5)	1	34	R833400	Fitting	3
2	2307265W	Counterbalance Valve Cartridge	1	35	79980W	O-Ring	2
3	398567W	Flangescrew	2	36	2307291W	Switch, Pressure	1
5	R833251	Fitting	8	37	2307639W	Hose Assembly	1
6	R833133	Fitting	4	38	2307443W	Bypass Manifold	1
7	231439	Fitting	9	39	2307400W	Manifold, 3-Port	1
8	2307030W	Hose Assembly	1	40	2307459W	Manifold	1
9	2307031W	Hose Assembly	1	41	231452	Fitting	3
10	231440	Fitting	3	42	2307446W	Fitting	1
11	R834100	Fitting	1	43	2307398W	Check Valve	1
12	2307032W	Hose Assembly	1	44	2307368W	Hose Assembly	1
13	2307047W	Hose Assembly	2	45	2307037W	Hose Assembly	1
14	2311153	Hose Assembly	1	46	2307367W	Hose Assembly	1
15	2307491W	Logic Control Manifold (see p. 3-6)	1	47	2307482W	Fitting	1
16	Y09G-0616	Capscrew	2	48	2307456W	Fitting	1
17	R833257	Fitting	1	49	18475W	Capscrew	2
18	2307040W	Hose Assembly	2	50	242629	Fitting	1
19	2307033W	Hose Assembly	1	51	2307206W	Hose Assembly	1
20	15127W	Washer	2	52	231470	Fitting	1
21	2311283	Hose Assembly	1	53	2307293W	Wire Harness	1
22	2307039W	Hose Assembly	1	54	131136W	Capscrew	8
23	2307123W	Fitting	2	55	15157W	Washer	8
24	232984	Fitting	2	59	2311608	Assembly, Directional Valve	1
25	2307038W	Hose Assembly	1	60	R2528352	Clip, Insulated	1
26	2311152	Hose Assembly	1	61	HSP0000008	Protector, Hose	1
27	2307036W	Hose Assembly	1	62	2307625W	Coupler, Quick Male	2
28	R833200	Fitting	1	63	213257	Strap, Tie	3
29	236855	Fitting	1	64	2307041W	Hose Assembly	1
30	2307208W	Hose Assembly	1	65	2307782W	Hose Assembly	1
31	2307211W	Hose Assembly	1	66	R1257880	Sleeve	72 IN
32	2307209W	Hose Assembly	1	67	129563W	Clamp	6
33	2311143	Hose Assembly	1				

Hydraulic Motor, Two-Speed



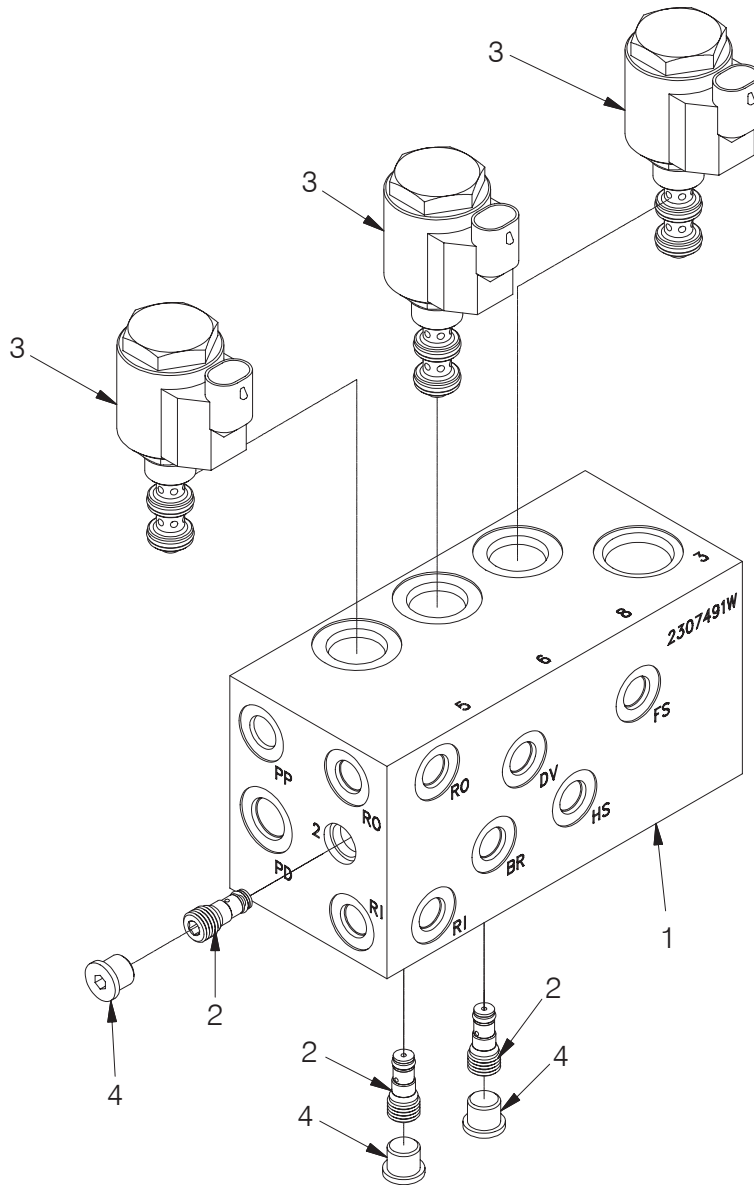
Item	Part No.	Description	Qty	Item	Part No.	Description	Qty
2306938W Hydraulic Motor, Two-Speed							
1	*a	. Snap Ring	1	15	2307962W	. Timing Plate	2
2	*a	. Seal	1	16	238070	. Stator	1
3	*a	. Quad Ring	1	17	238073	. Rotor	1
4	*a	. Seal Plate	1	18	*b	. Vane, Rotor	10
5	*a	. O-Ring	1	19	*b	. Spring, Outer	20
6	238062	. Snap Ring	1	20	*b	. Spring, Inner	20
7	238063	. Bearing	1	21	*b	. Vane, Stator	4
8	---	. Shaft	1	22	*b	. Spring, Vane	8
9	238065	. Bolt	4	23	238080	. Pin, Rear Dowel	2
10	---	. Housing	1	24	---	. Rear Housing	1
11	238067	. Pin, Front Dowel	2	25	238078	. Bearing, Needle	1
12	*a	. O-Ring	4				
13	238077	. Ball Check	4				
14	238068	. Screw	4				
				*a Included in Seal Kit 2307244W			
				*b Included in Vane & Spring Kit 246726			

Directional Manifold



Item	Part No.	Description	Qty	Item	Part No.	Description	Qty
	2307008W	Manifold, Directional					
1	2307232W	. Manifold Body	1	11	222442W	. Fitting, O-Ring	5
2	2307024W	. Valve, Proportional Cartridge Spool	1	12	2310978W	. Orifice	1
3	2307234W	. Valve, Cartridge Check	3	15	2307736W	. Orifice	1
6	*a, *b 220998W	. Screw	1				
6	*c 2312132	. Fitting, Orifice	1	*a	Use 251099W Adhesive Sealant		
7	2307233W	. Plug, Orifice	1	*b	Last Used on S/N H6G-1200		
8	2307236W	. Valve, Cartridge Relief	1	*c	First Used on S/N H6G-1201		

Logic Control Manifold



Item	Part No.	Description	Qty	Item	Part No.	Description	Qty
	2307491W	Logic Control Manifold					
1	2307511W	. Manifold Body	1	3	250365	. Cartridge, Valve	3
2	2307227W	. Shuttle Valve	3		250589	. . Coil, Solenoid	3
	2307231W	. . Seal Kit	3	4	222442W	. Fitting	3

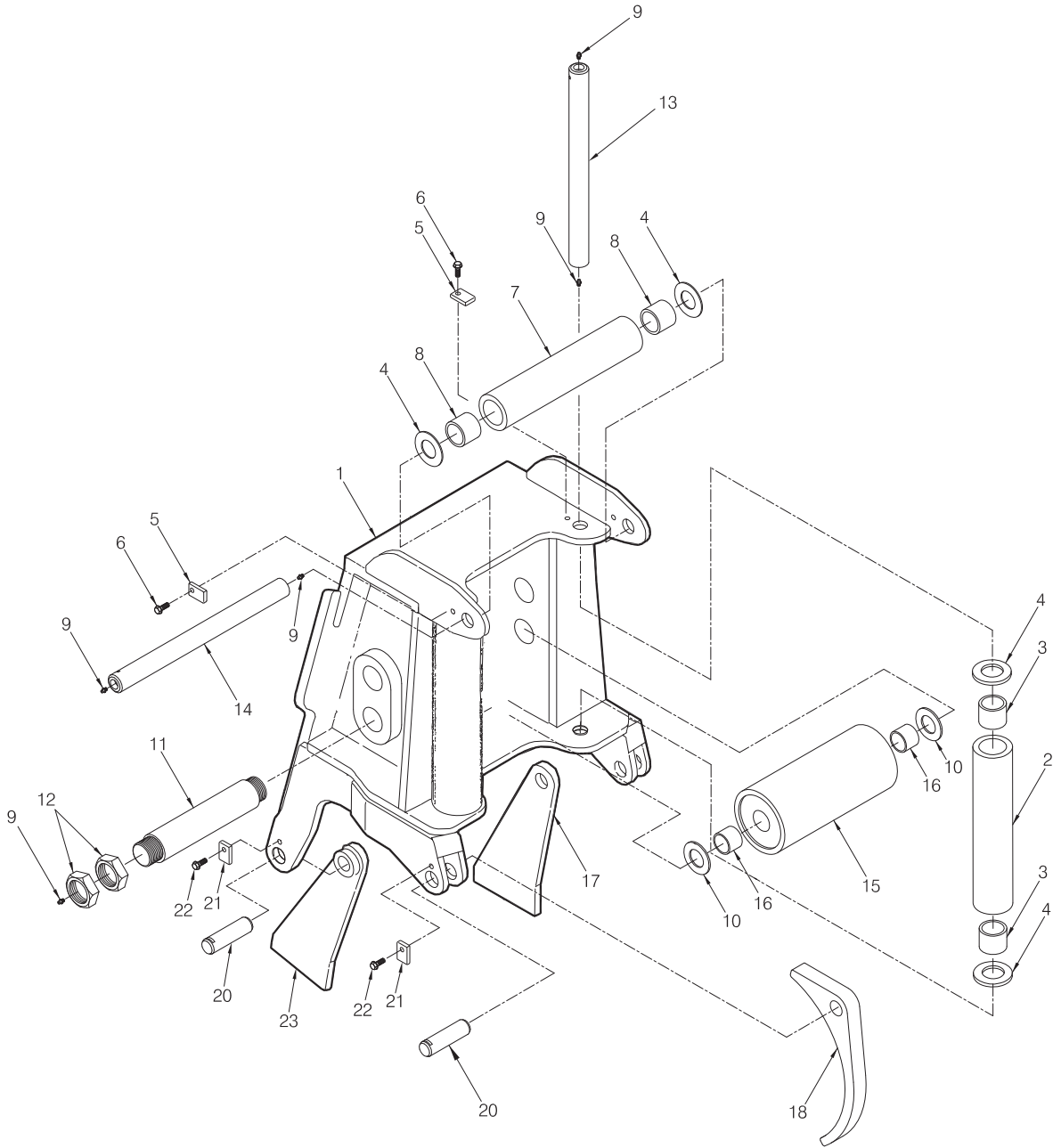
Optional

Arch	4-2
Fairlead	4-3
Wire Rope Assemblies.....	4-4



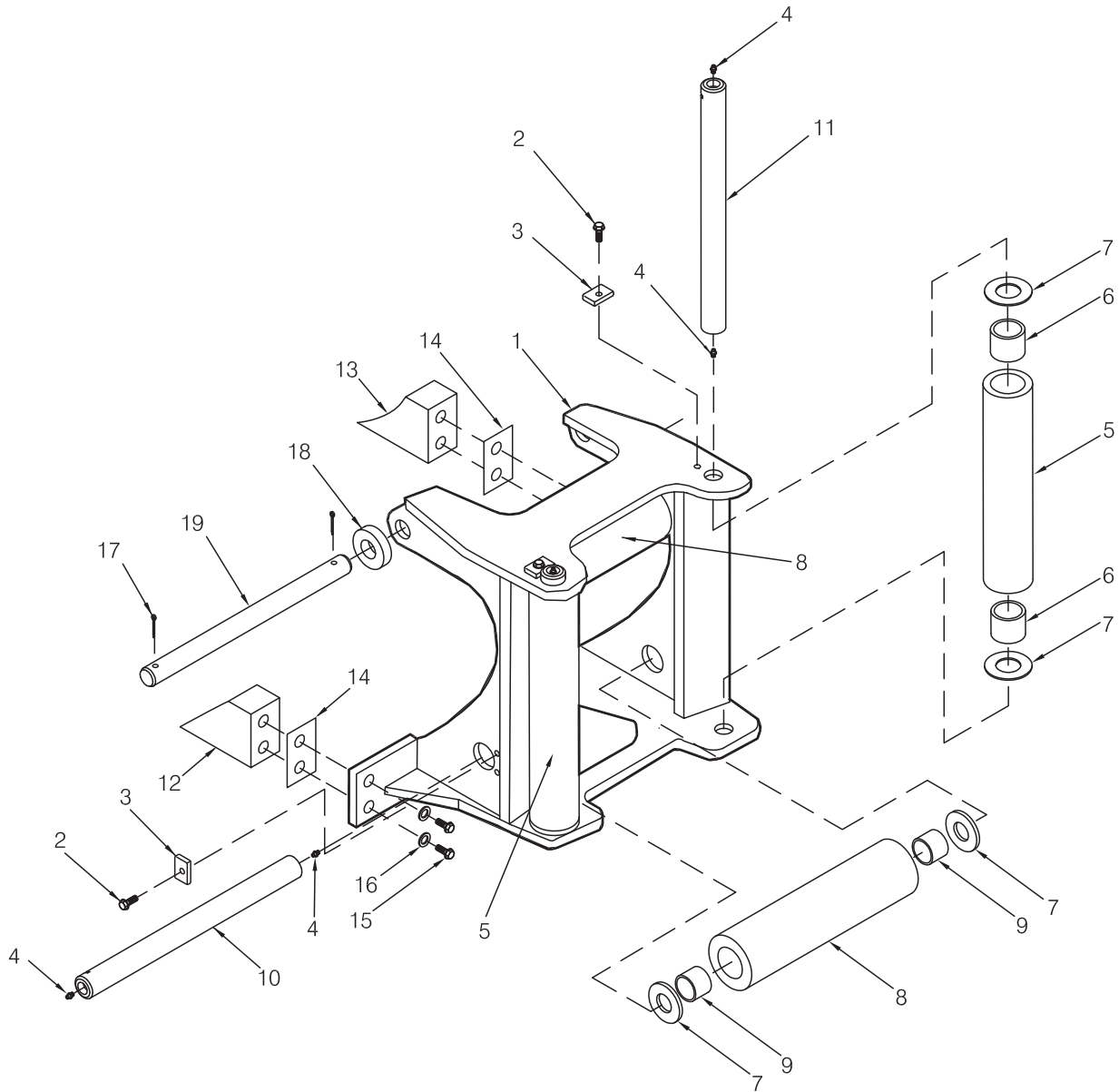
4-2

Arch



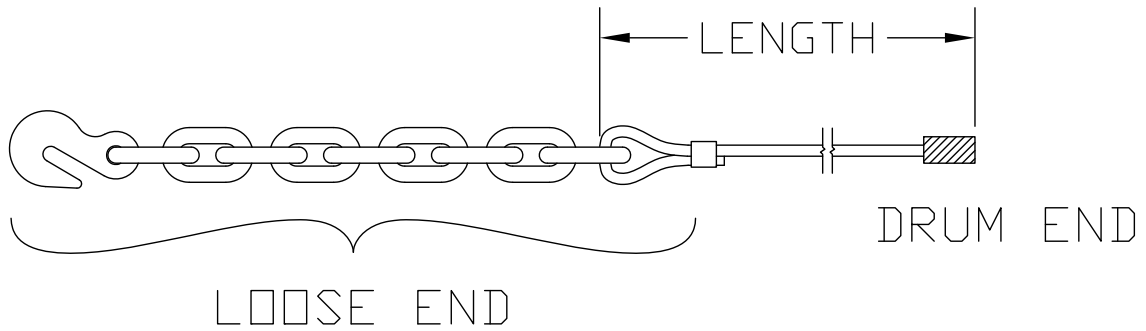
Item	Part No.	Description	Qty	Item	Part No.	Description	Qty
	2301748W	Arch Assembly	1				
1	2301749W	. Weldment, Arch	1	12	221336W	. Nut	4
2	2301907W	. Roller	2	13	2301920W	. Shaft	2
3	35135W	. Bushing	2	14	2301919W	. Shaft	1
4	331767W	. Washer	6	15	2301925W	. Roller	1
5	2301706W	. Keeper	3	16	2817W	. Bushing	2
6	398817W	. Flange, Screw	3	17	2307800W	Ear, RH	1
7	2301910W	. Roller	1	18	2306380W	Lug, Wrapped	2
8	35135W	. Bushing	2	20	2301924W	Pin	4
9	16001W	. Fitting, Grease	8	21	2301706W	Keeper	4
10	2821W	. Washer	2	22	398817W	Flange Screw	4
11	2302120W	. Shaft	2	23	2307802W	Ear, LH	1

Fairlead



Item	Part No.	Description	Qty	Item	Part No.	Description	Qty
	2301732W	Fairlead Assy., 4-Roller					
1	2301718W	. Frame	1	11	2301721W	. Shaft	2
2	398817W	. Screw, Flange	4	12	226374W	Bracket, LH	1
3	2301706W	. Keeper	4	13	143292W	Bracket, RH	1
4	16001W	. Fitting, Lube	8	14	93878W	Shim	A/R
5	2301726W	. Roller	2	15	18669W	Capscrew	4
6	2570W	. Bushing	2	16	15166W	Washer	4
7	33394W	. Washer	8	17	15272W	Pin, Cotter	2
8	2301727W	. Roller	2	18	173607W	Spacer	2
9	2570W	. Bushing	2	19	196280W	Tie Bar	1
10	2301722W	. Shaft	1				

Wire Rope Assemblies



	Wire Rope	Tail Chain & Hook
Wire Rope Diameter Dia (in)	Breaking Strength New (lbs)	Working Load Limit (lbs) 3.5:1 Design Factor
1 1/8	130,000	47,700

Part No.	Wire Diameter	Length Ft (M)	Part No.	Wire Diameter	Length Ft (M)
WR9-150LH	1 1/8"	150 (46)			

Numerical Index

25414 - 44547W	5-2
53559W - Y09G-0616	5-3

5-2

Part No.	Page No.	Item	Part No.	Page No.	Item	Part No.	Page No.	Item	Part No.	Page No.	Item
25414	2-3	1	151646W	1-3	7	2301748W	4-2		2307231W	3-6	
213257	3-3	63	15166W	4-3	16	2301749W	4-2	1	2307232W	3-5	1
225335	2-3	3	15223W	1-3	29	2301783W	2-5	23	2307233W	3-5	7
225336	2-3	4	15272W	1-3	33	2301785W	1-5	1	2307234W	3-5	3
225338	2-3	7	15272W	4-3	17	2301907W	4-2	2	2307235W	3-5	
225339	2-3	8	15290W	1-3	34	2301910W	4-2	7	2307236W	3-5	8
225347	2-3	19	15862W	2-6	17	2301919W	4-2	14	2307237W	3-5	9
226108	2-3	16	15881W	2-5	16	2301920W	4-2	13	2307244W	3-4	
228886	2-3	9	15892W	2-2	11	2301924W	4-2	20	2307245W	3-5	
231439	3-3	7	15919W	1-3	5	2301925W	4-2	15	2307246W	3-5	
231440	3-3	10	159940W	2-6	3	2302120W	4-2	11	2307249W	2-3	
231452	3-3	41	159W	1-3	28	2302311W	2-6	11	2307250W	2-3	
231470	3-3	52	16001W	4-2	9	2302624W	2-6	2	2307265W	3-3	2
232984	3-3	24	16001W	4-3	4	2302625W	2-6	4	2307291W	3-3	36
235255	2-3	5	16783W	2-2	20	2302626W	2-6	1	2307293W	3-3	53
236855	3-3	29	16829W	1-3	30	2303848W	1-3	13	2307367W	3-3	46
238062	3-4	6	16829W	2-5	24	2303848W	2-5	13	2307368W	3-3	44
238063	3-4	7	16830W	2-2	23	2303898W	1-5	11	2307398W	3-3	43
238065	3-4	9	172808W	2-5	15	2303898W	2-2	17	2307400W	3-3	39
238067	3-4	11	172810W	2-5	3	2303902W	1-3	14	2307430W	2-2	4
238067	3-4	17	173607W	4-3	18	230406W	2-5	8	2307431W	2-2	5
238068	3-4	14	175646W	2-5	22	2304803W	2-6	9	2307443W	3-3	38
238070	3-4	16	175647W	2-5	21	2305096W	2-6	14	2307446W	3-3	42
238077	3-4	13	175648W	2-5	20	2305097W	2-6	15	2307456W	3-3	48
238209	2-3	10	182752W	2-2	12	2305098W	2-6	13	2307459W	3-3	40
242629	3-3	50	18475W	3-3	49	2305099W	2-6	16	2307482W	3-3	47
245862	2-2	8	18535W	2-2	6	2305715W	1-5	13	2307491W	3-3	15
246726	3-4		18669W	4-3	15	2305956W	2-6	5	2307491W	3-6	
250365	3-6	3	194090W	1-3	15	2306380W	4-2	18	2307511W	3-6	1
250589	3-6		194090W	1-3	24	2306910W	2-4		2307625W	3-3	62
250847	2-4		196280W	1-3	32	2306927W	2-2	9	2307639W	3-3	37
250848	2-4		196280W	4-3	19	2306936W	2-2	10	2307642W	2-2	3
250849	2-4		200454W	2-2	19	2306937W	2-2	16	2307642W	2-3	
250850	2-4		21420W	1-3	3	2306938W	2-2	1	2307646W	2-2	27
2310748	1-3	26	220998W	3-5	6	2306938W	3-4		2307666W	2-2	34
2310773	1-3	25	221336W	4-2	12	2306945W	1-3	8	2307693W	1-3	18
2310865	1-5	10	221577W	2-5	10	2306956W	2-2	22	2307736W	3-5	15
2310891	2-5	6	221711W	2-2	33	2307008W	3-3	1	2307800W	4-2	17
2310958	1-5	14	221716W	2-2	32	2307008W	3-5		2307802W	4-2	23
2311123	1-5	8	221717W	2-6	10	2307024W	3-5	2	2307962W	3-4	15
2311143	3-3	33	221721W	1-5	5	2307030W	3-3	8	233693W	3-5	12
2311152	3-3	26	221725W	1-5	2	2307031W	3-3	9	238078	3-4	25
2311153	3-3	14	221771W	2-2	15	2307032W	3-3	12	238080	3-4	23
2311283	3-3	21	221777W	2-2	26	2307033W	3-3	19	251099W	3-5	
2311608	3-3	59	221780W	1-5	6	2307036W	3-3	27	2570W	4-3	6
129563W	1-5	15	222441W	3-5	13	2307037W	3-3	45	2570W	4-3	9
131136W	3-3	54	222442W	3-5	11	2307038W	3-3	25	259543W	1-5	4
1314454W	2-2	14	222442W	3-6	4	2307039W	3-3	22	2817W	4-2	16
133927W	2-5	18	222443W	3-5	14	2307040W	3-3	18	282148W	2-6	6
141671W	2-5	14	223453W	1-5	9	2307047W	3-3	13	2821W	4-2	10
141674W	2-5	5	226374W	4-3	12	2307092W	2-2	2	283434W	2-6	19
141676W	2-5	1	2300632W	2-5	2	2307110W	1-3	20	30059W	2-6	12
143292W	4-3	13	2300693W	1-3	2	2307111W	1-3	21	313022W	2-2	
145499W	1-3	27	2300721W	1-3	1	2307112W	1-3	22	318702W	2-6	
14595W	1-3	35	2300962W	1-3	4	2307113W	1-3	23	331767W	4-2	4
14718W	2-2	21	2301529W	1-5	7	2307123W	3-3	23	33394W	4-3	7
15011W	2-2	24	2301706W	4-2	5	2307125W	2-2	30	35135W	4-2	3
15058W	1-3	31	2301706W	4-2	21	2307141W	1-3	19	35135W	4-2	8
15127W	3-3	20	2301706W	4-3	3	2307206W	3-3	51	358674W	2-5	
15128W	1-5	3	2301718W	4-3	1	2307208W	3-3	30	398567W	3-3	3
15157W	3-3	55	2301721W	4-3	11	2307209W	3-3	32	398817W	4-2	6
151588W	2-6	7	2301722W	4-3	10	2307211W	3-3	31	398817W	4-2	22
151589W	1-3	6	2301726W	4-3	5	2307225W	1-3	11	398817W	4-3	2
15158W	2-5	11	2301727W	4-3	8	2307226W	1-3	12	398820W	1-5	12
15158W	2-6	8	2301732W	4-3		2307227W	3-6	2	44547W	2-5	17

5-3

Part No.	Page No.	Item	Part No.	Page No.	Item	Part No.	Page No.	Item	Part No.	Page No.	Item
53559W	2-5	7	93878W	4-3	14	R2528352	3-3	60	R833400	3-3	34
61056W	2-6	18	95977W	2-5	9	R833133	3-3	6	R834100	3-3	11
6607W	2-5	4	95978W	2-5	12	R833200	3-3	28	WR9-167LH	4-4	
79980W	3-3	35	HSP0000008	3-3	61	R833251	3-3	5	Y09G-0616	3-3	16
90263W	2-5	19									

Intentionally Blank



To find a dealer in your area,
Call: (503) 625-2560,
Fax: (503) 625-7269 , or
Email: marketing@alliedsystems.com, or
Visit our website: <http://www.alliedsystems.com>

Allied Systems
C O M P A N Y

599027W-H6GH1JE47 01/20/2011 Printed in USA