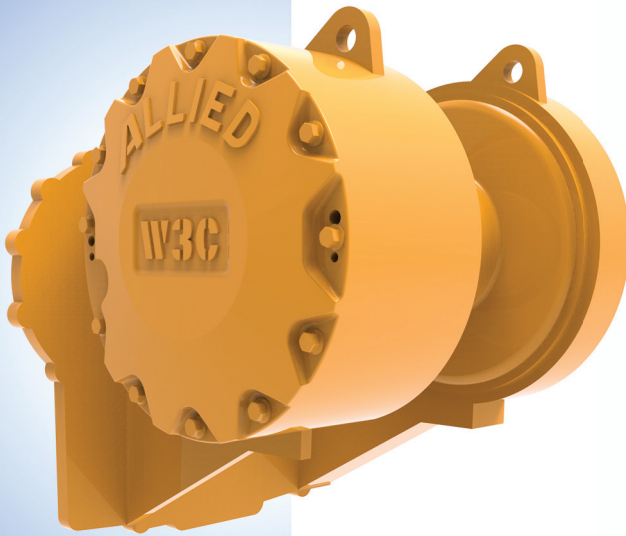




Parts Manual



Allied W3C Towing Winch

Please check the Allied Systems website
regularly for updates to this manual.
www.alliedsystems.com

CUSTOMER EDITION

A PRODUCT OF
Allied Systems
COMPANY

SHERWOOD, OREGON USA

P/N 2300191W

Printed in USA

08/10/2015

Safety Precautions

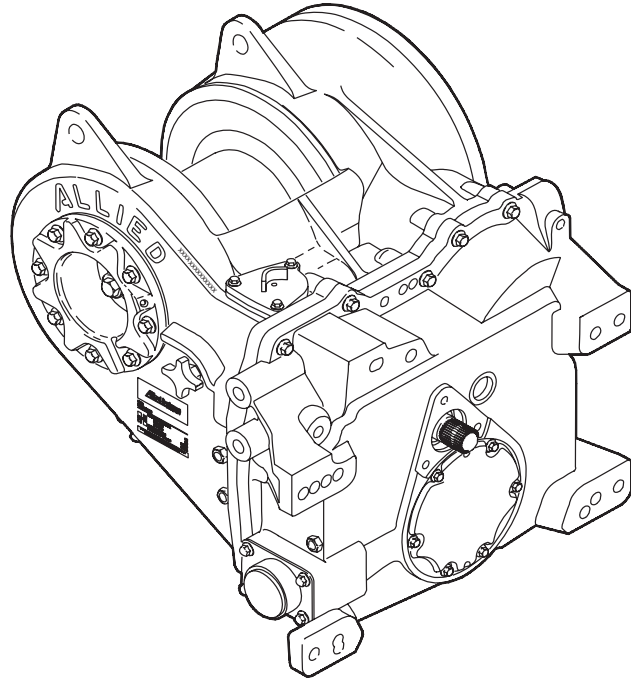
**Read, understand and observe the Safety Summary
on pages 0-3 through 0-5
to prevent injury to personnel and damage to equipment.**

Winch serial number _____

Date put into service _____

**NOTE: This publication may be translated to different languages for sole purpose
of easy reference in non-English speaking locations.
Should there be differences in interpretations to the text,
please refer to the English language edition published by Allied Systems Company
as the controlling document.**

Index - Illustrated



Ref	Item	Page
1	Frame/Covers/Mounting Parts	1-1
2	Gear Train/Shaft	2-1
3	Hydraulics/Controls	3-1
4	Optional Equipment	4-1
5	Recommended Service Kits.	5-1
6	Suggested Spares Guide	6-1
7	Numerical Index	7-1

Index - Master

Arch.....	4-6
Arch Installation.....	4-8
Brake, PFO.....	2-14
Brake, PFO & PFR.....	2-26
Clutch, PFO.....	2-2
Clutch, PFR.....	2-8
Control Lever Assembly	3-142
Control Valve	3-42
Drawbar.....	4-2
Drum Shaft & Freespool.....	2-44
Extended Drawbar	4-3
Fairleads	4-12
Frame/Covers.....	1-2
Freespool Lock.....	4-16
Handling Gear	3-92
Hydraulics	3-2
Installation Drawings by Tractor.....	0-4
Mounting Parts	1-26
Nameplate & Decals	1-53
Numerical Index	7-1
Oil Capacity.....	0-7
Oil Specifications.....	0-7
Pump, Hydraulic.....	3-90
Recommended Service Kits.....	5-1
Ring/Pinion.....	2-41
Shaft, Intermediate.....	2-40
Suggested Spares Guide	6-1
Wire Rope Assemblies.....	4-17

NOTE: PFO = Power Forward Only
PFR = Power Forward and Reverse

Safety Summary

General Safety Notices

The following pages contain general safety warnings which supplement specific warnings and cautions appearing elsewhere in this manual. All electrical and hydraulic equipment is dangerous. You must thoroughly review and understand the Safety Summary before attempting to operate, troubleshoot or service this winch.

The following symbols and terms are used to emphasize safety precautions and notices in this manual:

DANGER

The “DANGER” symbol indicates a hazardous situation which, if not avoided, will result in serious injury or death. Carefully read the message that follows to prevent serious injury or death.

WARNING

The “WARNING” symbol appears wherever incorrect operating procedures or practices could cause serious injury or death. Carefully read the message that follows to prevent serious injury or death.

CAUTION

The “CAUTION” symbol appears where a hazardous situation which, if not avoided, could result in minor to moderate injury and equipment damage.

NOTICE

This signal word alerts to a situation that is not related to personal injury but may cause equipment damage.

NOTE: ...

The term “NOTE” highlights operating procedures or practices that may improve equipment reliability and/or personnel performance.

NOTE: All possible safety hazards cannot be foreseen so as to be included in this manual. Therefore, you must always be alert to potential hazards that could endanger personnel and/or damage the equipment.

Safety Regulations

Each country has its own safety legislation. It is in the operator’s own interest to be conversant with these regulations and to comply with them in full. This also applies to local bylaws and regulations in force on a particular worksite.

Should the recommendations in this manual deviate from those in the user’ country, the national regulations should be followed.

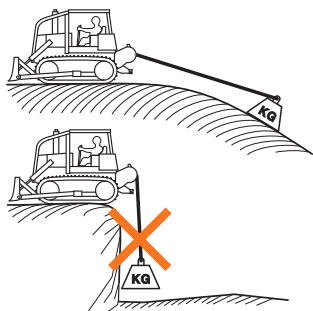
Operation, Inspection, and Maintenance Warnings

WARNING

Obey the following cautions and warnings before using your winch to avoid equipment damage, personal injury or death.

- Do not operate the winch unless your are authorized and trained to do so.
- Do not operate the winch unless the vehicle is equipped with a screen to protect the operator if the wire rope breaks.
- Read, understand, and follow the operating, inspection, and maintenance instructions in this manual.
- Do not use the control levers for hand holds when entering or leaving the vehicle.
- Do not permit other people near the control area when you inspect or repair a machine.
- Never inspect, repair, or perform maintenance on a machine that is in motion.
- Inspect the winch before each use:
 - » Make sure that the controls and instruments operate correctly.
 - » Report the need for repairs immediately.
 - » Do not work with a damaged or worn wire rope.
 - » Do not use a winch that needs repairs.

- » If the wire rope and ferrule must be removed from the drum, make sure the end of the wire rope and ferrule are controlled when the ferrule is released. The end of the wire rope can suddenly move from the drum like a compressed spring when the ferrule is released, and cause an injury.
- Stay in the operator's seat when operating the winch.
- Do not stand on the vehicle when operating the winch.
- Avoid winch operation near people or other machines.
- Never stand nor permit others to stand in the bight (loop) of a wire rope.
- Do not stand nor permit others to be near the winch or wire rope when there is tension on the wire rope.
- Observe jobsite rules.
- Be in complete control at all times.
- Do not use the control levers as hangers for clothes, water bags, grease guns, lunch pails, etc.
- Do not leave the vehicle when the winch wire rope is under tension.
- Do not permit riders on the vehicle or load.
- Do not use the winch as an anchor for a double or two-part line.
- Do not pull the hook through the throat or over the drum, which will cause damage.
- When the winch is not in use, make sure the control lever is in **BRAKE-ON** position and the winch brake is applied.
- Do not use winch as a hoist. Tractor and skidder mounted winches are designed for towing.



- Always inspect wire rope, tail chain and other rigging components for wear, damage, broken strands or abuse before use.
- Never use wire rope, tail chain or other rigging that is worn-out, damaged or abused.
- Never overload wire rope, tail chain or rigging.
- Wire rope and tail chain will fail if worn-out, overloaded, misused, damaged, improperly maintained or abused. Wire rope or tail chain failure may cause serious injury or death!



- Do not terminate wire rope to tail chain by the use of a knot.
- Do not handle wire rope if the hook end is not free. A load could break away, suddenly tensioning the wire rope, resulting in serious injury or death.
- Stay clear of wire rope entry areas (fairlead or arch rollers, winch drum etc).
- Make sure ground personnel are in plain view of the operator, and at a distance of at least 1½ times the working length of the wire rope.
- Make sure that any hand signals used by ground personnel are clearly defined and understood by everyone involved.
- Do not attempt to “jerk” or “shock” a load free. Doing so can cause loads in excess of the rated capacity of the wire rope, winch, or mounting hardware.
- Replace any parts only with genuine Allied Winch parts.
- Maintain a **minimum of three (3) complete wraps of wire rope** on the drum for normal operation. It may help to paint the last five wraps of wire rope a contrasting color, to serve as a visual indicator.

- Do not handle wire rope with bare hands. Wear leather gloves at all times.
- Align the tractor with the load to prevent side loading the winch, and to maintain even spooling of the wire rope.
- If applying tension to the wire rope manually during spooling:
 - » ensure that the operator is winching in slowly,
 - » keep your hands and clothing well clear of any rollers or the winch drum,
 - » do not maintain tension by letting the wire rope to slip through your hands,
 - » use a hand-over-hand technique to maintain tension.
- Be aware of the ground conditions, and make sure the ground and tractor are stable enough to pull the intended load.
- Do not attempt to pull loads in excess of the rated capacity of the winch.
- Keep yourself informed of any applicable codes, regulations and standards for the job.
- Your winch may have temperature shut-off system for protection of tractor and winch. Manual override of high temperature shut-off will cause damage to tractor and winch.
- This winch is neither intended, designed, nor rated for any application involved in the lifting or moving of personnel.
- Use only the lubricants listed in the Recommended Oil List. See page 0-11.
- Do not weld on any part of the winch. Contact Allied Systems if weld repairs are needed.
- The hydraulic system must be kept clean and free of contamination at all times.
- Be aware of the hazards of pressurized hydraulics:
 - » Wear personal protective equipment, such as gloves and safety glasses, whenever servicing or checking a hydraulic system.
 - » Assume that all hydraulic hoses and components are pressurized. Relieve all hydraulic pressure before disconnecting any hydraulic line.
 - » Never try to stop or check for a hydraulic leak with any part of your body; use a piece of cardboard to check for hydraulic leaks.
 - » Small hydraulic hose leaks are extremely dangerous, and can inject hydraulic oil under the skin, even through gloves.
 - » Infection and gangrene are possible when hydraulic oil penetrates the skin. See a doctor immediately to prevent loss of limb or death.



Identification - Unit

Allied Winch Serial Number Nameplate Data For Tractor Mountings

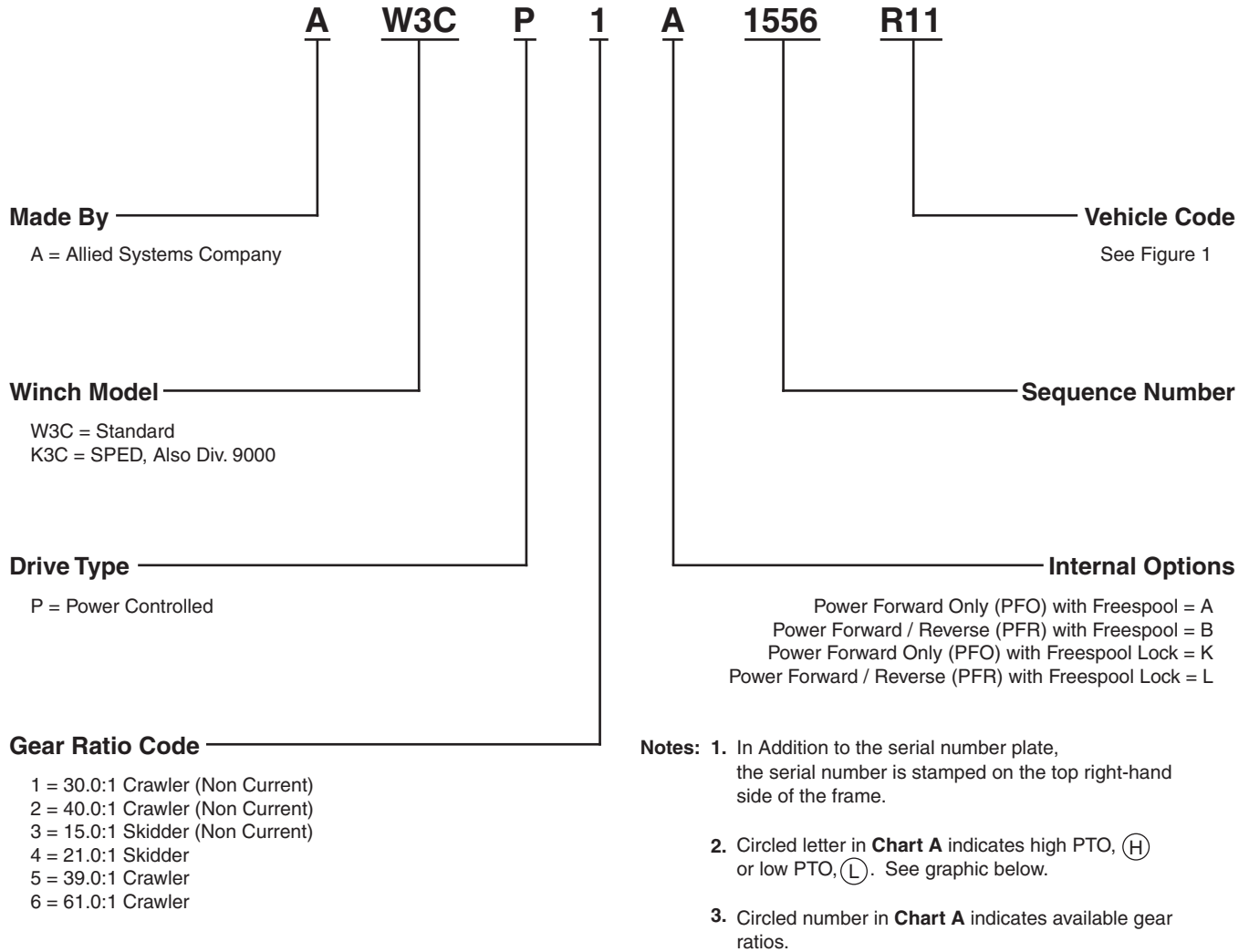
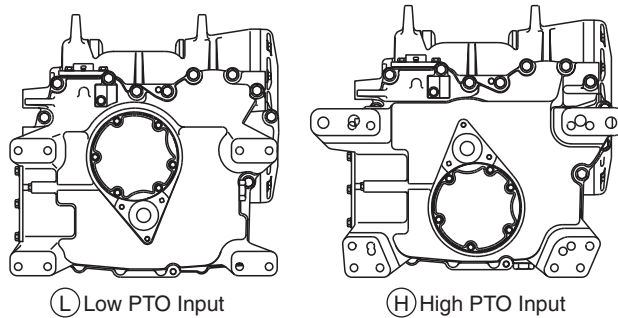


Figure 1 - Tractor Identification and Gear Ratio

Tractor Make Model and Starting Tractor Serial Number Where Applicable									
C O D E	A Fiat/Hitachi/ New Holland	C Caterpillar	E John Deere	F KMC	H Dresser/ Dressta	K Komatsu	R Case	V Ranger	W Daewoo
11	FD & FL5, FD & FL7 *a ⓁⓅⓈ	D3, D3B/C D4B/C, D5C ⓂⓅⓈ		1000 ⓂⓅⓈ		D31 & D37 ⓂⓈ	450-550G/H, 850G/H ⓁⓅⓈ	F65C/G ④	DD80/80L ⓂⓅⓈ
12	FD & FL5 *b, FD & FL7 ⓁⓅⓈ		450G-650G TC, 450G- 650G DD*e ⓂⓅⓈ		TD7E/G, TD8E/G, TD100E/G, 125E/G ⓂⓅⓈ	D31/D37/ D39-21/21A, KomSat I/II ⓂⓈ		F66, F67C/P/H, H66, H67 Muller TS22 ④	
13					TD7/8/9H, TD7/8/9/10M, TD9XP Ⓜ ⓅⓈ	D32/D38/ D39*d ⓅⓈ	650-850G/H ⓁⓅⓈ	J170 ④	
14		D3/4/5B&C DD*c Ⓜ			TD8H DD*c Ⓜ		D85B, D95B, 650/750/850K, 750/850L, DC75/85/95 ⓂⓅⓈ		
15	DC 100 ⓂⓈ	D4E DD*c Ⓛ					D85B, D95B, 650/750/850K, 750/850L, DC75/85/95 ⓁⓅⓈ		
16	FD80, DC70, DC80 ⓂⓈ	D3/4/5C Hystat ⓂⓈ	<p>*a For 11 tooth tractor spline *b For 13 tooth tractor spline *c The following tractor code pairs should be serviced identically: C14=C11, C15=C34 and H14=H13 *d All tractor codes included in this block are H13 *e Gear ratio for 450G-650G DD is Ⓢ only</p>						
30		D5M ⓂⓈ							
34		D4D, D4E ⓂⓈ							
360		D4H PS Series I & II ⓂⓈ							
361		D4H DD ⓂⓈ							
362		D4H PS Series III, XL, LGP ⓂⓈ							



Wide & narrow mounting patterns are shown.

Figure 2 - List of Installation Drawings by Tractor

Winch Serial Number	Description	Installation Drawing Part Number
AW3CP**----A11	W3C FH FD/L 5/7 40/1	1314770W
AW3CP**----A15	W3C PFO, 61/1 RATIO, ON NEW HOLLAND DC100	2303087W
AW3CP**----A16	W3C FH FD 80EX	2303087W
AW3CP**----C11	W3C CAT D3/4 40/1 PFO, NO LOCK	1314776W
AW3CP**----C12	W3C 21/1 PFO FOR CAT 518 SKIDDER	2300408W
AW3CP**----C13	W3C SKID 21.3/1 CAT 518 CCW	2300336W
AW3CP**----C14	W3C CAT D3/4 40/1	1314776W
AW3CP**----C15	W3C CAT D4E DD	2300815W
AW3CP**----C16	W3C CAT D3-5C HYD	2302745W
AW3CP**----C30	W3C CAT D5M 40/1	2300401W
AW3CP**----C34	W3C CAT D4E	2300815W
AW3CP**----C360	W3C CAT D4H 40/1	2300401W
AW3CP**----C361	W3C CAT D4H DD 40/1	2300270W
AW3CP**----C362	W3C CAT D4H SERIES III	2300401W
AW3CP**----E12	W3C JD 450/650 50/1	1314787W
AW3CP**----E14	W3C JD DD450/650 40/1	1314787W
AW3CP**----F11	W3C KMC	
AW3CP**----H12	W3C DR TD7/8 40/1	1314786W
AW3CP**----H13	W3C DR TD7/8/9H,KOM D32-39 PFO 61/1	2300484W
AW3CP**----K11	W3C KOM D31/7 40/1	1314788W
AW3CP**----K12	W3C PFO 61:1 ON KOMATSU KOMSTAT D39-21	2304839W
AW3CP**----R11	W3C CASE 450/850 40/1	1314762W
AW3CP**----R13	W3C CASE 650-850 30/1	1314762W
AW3CP**----R14	W3C CASE 650/850K	2305042W
AW3CP**----R15	W3C CASE 650/850K	2306821W
AW3CP**----V11	W3C RANGER SKIDDER	
AW3CP**----V13	W3C RANGER J170 (V13) W/O CLUTCH	
AW3CP**----W11	W3C CAT D3/4 40/1 DAEWOO DD80	2303640W

Notes: 1. This list is for operators to keep track of necessary information of their winch installation drawings by tractors.

2. If any of the installation drawings listed above is needed, please contact Allied Systems Company's Service Department at 503-625-2560.

How to Use the Illustrated Parts Manual

G 03

Index-Numerical

Part No	Page	Ref No	Part No	Page	Ref No	Part No	Page	Ref No
130W	1007	22	1008	22	15162W	1E04	12	164
1008	51		1009	18	15162W	1E05	24	16
1009	27		1010	8	15164W	1A07	3	7
1010	32		1011	10	15166W	1A07	4	
1011	28							
1012	31		15056W	1010	24	LACB	7	
1013	50		1011	18	LACB	8		
2816W	1E04	2	15106W	1007	10	LACB	9	
2819W	1E04	3	1009	9	LACB	5		
2821W	1E04	3	15110W	LACB	6	LACB	6	
6346W	1C03	15	1011	15	15178W	1C04	33	
7043W	1E04	5	15134W	1C04	1007	1C03	21	
9544W	1808	22	15135W	1008	10	1C08	21	
	1807	22	1010	5	1008	1008	7	
	1808	22						
1808	15		1011	12	1010	1010	1010	
1808	24		15135W	1012	7	1012	1012	
1808	30		15137W	LACB	4	1012	1012	
1807	21		1A11	11	1013	1013	1013	
			15154W	1A07	1	15225W	1010	

A 02

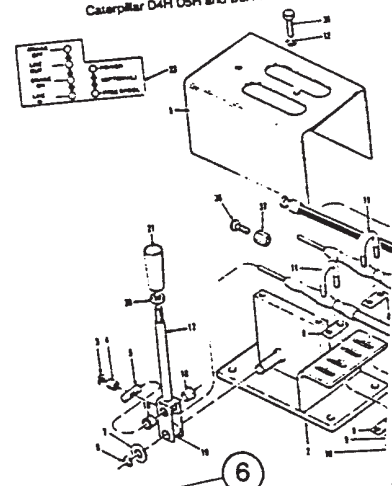
Index-Master

Description	Page No
Arch-Four Poles	1E04
Brake	1C01
Clutch	1814
Covers	1A05
	1A06
	1E03
	1C08
	1A05
	1814
	1C07-1012
	1E05

1 D 12

Gear-Handling

Caterpillar D4H DSH and DSH with Esco Grapple S/N HV-9459

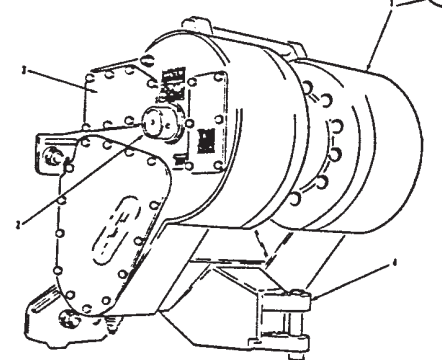


Key
A - DSH And DSH
B - DSH With Escó Grapple

Item No	Part No	Description	Qty	Ref
1	332822W	Cover	1	24
2	381180W	Bracket	2	24
3	18425W	Lockwasher	2	24
4	15044W	Nut	2	24
5	196128W	Pin	2	24
6	190300W	Ring-Snap	2	24
7	15135W	Washer-Flat	4	24
8	196130W	Sleeve	4	24
9	15150W	Lockwasher	4	24
10	15050W	Nut	2	24
11	196129W	U-Bolt	2	24
12	15150W	Lockwasher	1	24
13	278037W	Lever	2	24
14	198144W	Bushing	1	24
15	278043W	Bushing	1	24
16	243188W	Knob	1	24
17	278035W	Lever	2	24
18	198144W	Bushing	1	24
19	278043W	Bushing	1	24
20	196482W	Nut-Jam	1	24
21	363879W	Knob	2	24
22	271731W	Handlever	1	24
23		Decal	1	24

A 01

Index-Illustrated



Ref	Item	Page
1	Frame/Covers/Ceases/Paint/Parts-Mounting	1802
2	Train-Gear/Shaft	1C02
3	Hydraulic	1C02
4	Optional	1F02
5	Index-Numerical	G02

W3C

Allied Systems
COMPANY

08/10/2015

When the part number and the next higher assembly is not known:

1. Determine the function and application of the part required. Turn to the illustrated index page immediately behind the front cover, and select the most appropriate area.
2. Use the table of contents at the beginning of each chapter to determine the assembly which would normally contain the part required. Proceed then to locate the part on the assembly breakdown page.

When the part number is not known and the next higher assembly is known:

1. Determine the assembly the required part is used on. Turn to the master index immediately following the illustrated index.
2. Locate the assembly on which the required part is used, and turn to the page indicated for that assembly. Proceed to locate the part on the assembly breakdown page.

When the part number is known:

Use the numerical index to find the part number. Turn to the page listed and locate the part as indicated by the reference number.

General:

1. The assembly breakdowns include part numbers, descriptions, quantities required, keys and foot notes to help in selecting the correct parts.
2. Keys are used to show effective serial numbers for two or more similar assemblies, LH and RH assembly parts, etc. Select the appropriate key, "A", "B", "C", or "D" and the corresponding quantity column to find the required parts.
3. Indent dots are used to indicate assemblies and sub-parts of assemblies. No dot indicates the major assembly. Part descriptions which are indented with dots are sub-parts of the major assembly shown above.
4. Quantities shown are for one assembly. Note that when two assemblies are shown, but the quantity of the sub-parts is indicated as three, this means three per assembly-for a total of six. AR means As Required, and NSS indicates Not Sold Separately.
5. Serial numbers are shown to allow for the most current parts information to be incorporated into the parts manual. See page 0-6 for serial number information.

Ordering Parts:

When ordering replacement parts, give the unit serial number, part number, name of part and quantity required.

For any further information on parts, service or ordering, consult your local winch dealer, or contact Allied Systems Company:

Allied Systems Company
21433 SW Oregon Street
Sherwood, OR 97140 USA

Phone: 503-625-2560
Fax: 503-625-5132
E-Mail: parts@alliedsystems.com

Also see our website, www.alliedsystems.com, where the most current copy of this manual is always available.

NOTE: This publication may be translated to different languages for sole purpose of easy reference in non-English speaking locations. Should there be differences in interpretations to the text, please refer to the English language edition published by Allied Systems Company as the controlling document.

W3C Oil Specifications

The oils listed in the PTO Winch Maintenance decal (see Figure 3) are the only ones approved for best inching operation:

The operating temperature range for these oils is -13°F to 176 °F (-25 °C to 80 °C). For temperatures below 32 °F (0 °C), the winch must be operated at low RPM until the oil has warmed. Running in **BRAKE-OFF** will warm the oil faster than **BRAKE-ON**.

For colder temperatures we recommend John Deere "Low Viscosity Hy-Gard" (formerly known as "Winter Grade Hy-Gard"). Its temperature Range is -40 °F to 150 °F (-40 °C to 66 °C). For temperatures below 0 °F (-18 °C), the winch must be operated at low RPM until the oil has warmed.

If the above brands are not readily available, choose oils using the following oil specifications. They are similar to factory fill and should guide your selection. Allied Winches require an oil that has similar "Static to Dynamic" properties for proper clutch and brake performance, and good

pressure properties for gear lubrication. Make sure the oil you choose is approved for both Power Shift Transmission and Hydraulic system usage.

Fluid	ISO GRADE	SAE GRADE
Factory Fill (Exxon 56)	55 (46-68)	15W-30
Low Temp Hy-Gard	32	5W-20

For Caterpillar tractors, the Cat TO-4 or TDTO oils are most similar to the factory winch oil and will provide generally acceptable performance. However, these are not as good as the factory fill recommended oils.

Using engine oil is **NOT** recommended, as it does not have the properties necessary for either the clutches or the gears.

Oil Capacity
The oil capacity for the W3C winch is 6.5 Gal. (24.6L).

PTO Winch Maintenance

Recommended Winch Service Intervals

Hours or **	Months **	Filter ***	Winch Gear Oil	Brake & Clutch	Major Overhaul
First 250	1	Change			
Every 500	3	Change			
Every 1,000	6		Change		
Every 5,000				* Inspect	
Every 10,000					* Evaluate

Lube rollers and check oil level and filter light weekly.

* Evaluate = Service based on average winch use;
 - if used more than once a day, perform overhaul.
 - if used less than once a day, remove covers and check to determine need.

* Inspect = Disassemble and inspect for wear.

** Service winch using the tractor's hour meter or the length of time the winch is mounted to the tractor, whichever occurs first.

*** Follow tractor schedule if using tractor filter.

IMPORTANT - For best Load Control
Use only the following oils:

Caterpillar	-Multipurpose Tractor Oil (MTO)
John Deere	-Hy-Gard
ExxonMobil	-Mobil Fluid 424 (Factory Fill)
Chevron	-1000 THF





Consult service/operating manual for low temperature oils and other details. Use of non-approved oil may void warranty.

2311481 Rev C

Figure 3 - PTO Winch Maintenance Decal

Intentionally Blank

Frame/Covers/Mounting Parts/Decals

Frame/Covers	1-2 thru 1-25
Mounting Parts	1-26 thru 1-52
Nameplate & Decals	1-53

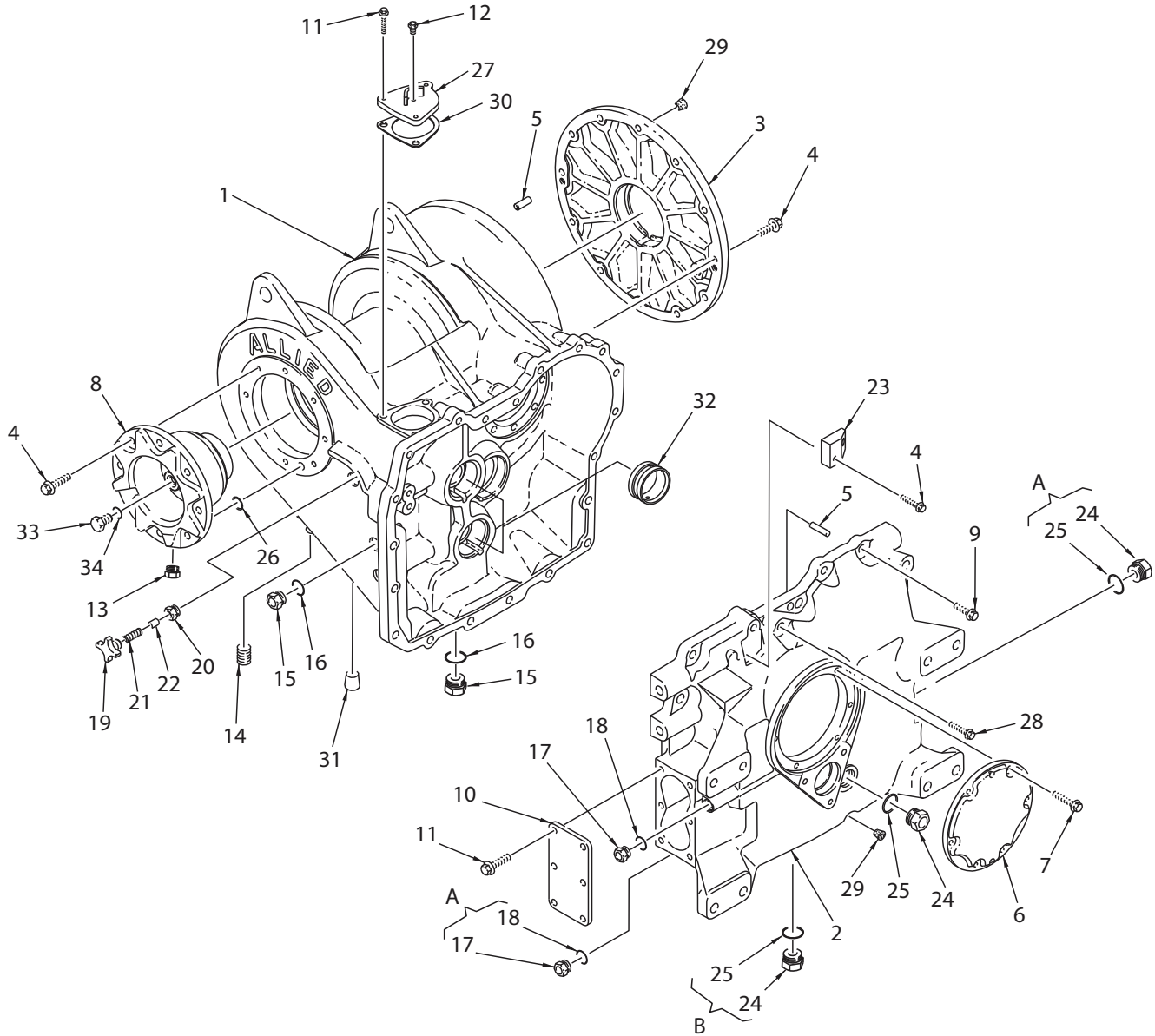
Frame/Covers

PFO

Last Used on S/N AW3C-2178

Case

Page 1 of 2



Frame/Covers

PFO

Last Used on S/N AW3C-2178

Case

Page 2 of 2

Key

A - Low PTO Input

B - High PTO input

Item	Part No.	Description	A	B	Item	Part No.	Description	A	B
1	-----	Frame	1	1	20	*b 2300174W	Insert	1	1
2	*a -----	Cover, Front	1	1	21	1314502W	Spring	1	1
3	*a 1314480W	Cover, LH	1	1	22	2300277W	Pad	1	1
4	1314566W	Capscrew	21	21	23	*a 2300199W	Block, Cable Anchor	1	1
5	136625W	Pin	4	4	24	188210W	Plug	2	2
6	*a 1314421W	Cover, Brake	1	1	25	16983W	. O-Ring	1	1
7	*a 2300296W	Capscrew	6	6	26	104681W	O-Ring	1	1
8	1314616W	Cover, RH	1	1	27	2300096W	Cap, Filler	1	1
9	1314454W	Capscrew	19	19	28	399816W	Capscrew	3	3
10	*a 1314451W	Cover, Strainer	1	1	29	18007W	Plug, Cork	4	4
11	398817W	Capscrew	9	9	30	2300097W	Gasket	1	1
12	21420W	Plug, Breather	1	1	31	18000W	Plug, Cork	4	4
13	*a 15483W	Fitting	1	1	32	2300266W	Kit, Seal Ring Sleeve	2	2
14	*a 15314W	Plug, Pipe	1	1	33	14595W	Fitting	1	1
15	216590W	Fitting	5	5	34	16484W	. O-Ring	1	1
16	16485W	. O-Ring	1	1					
17	14595W	Fitting	2	1		*a Use 313022W Adhesive			
18	16484W	. O-Ring	1	1		*b Use 318702W Thread Lock			
19	1314547W	Knob	1	1					

Frame/Covers

PFO

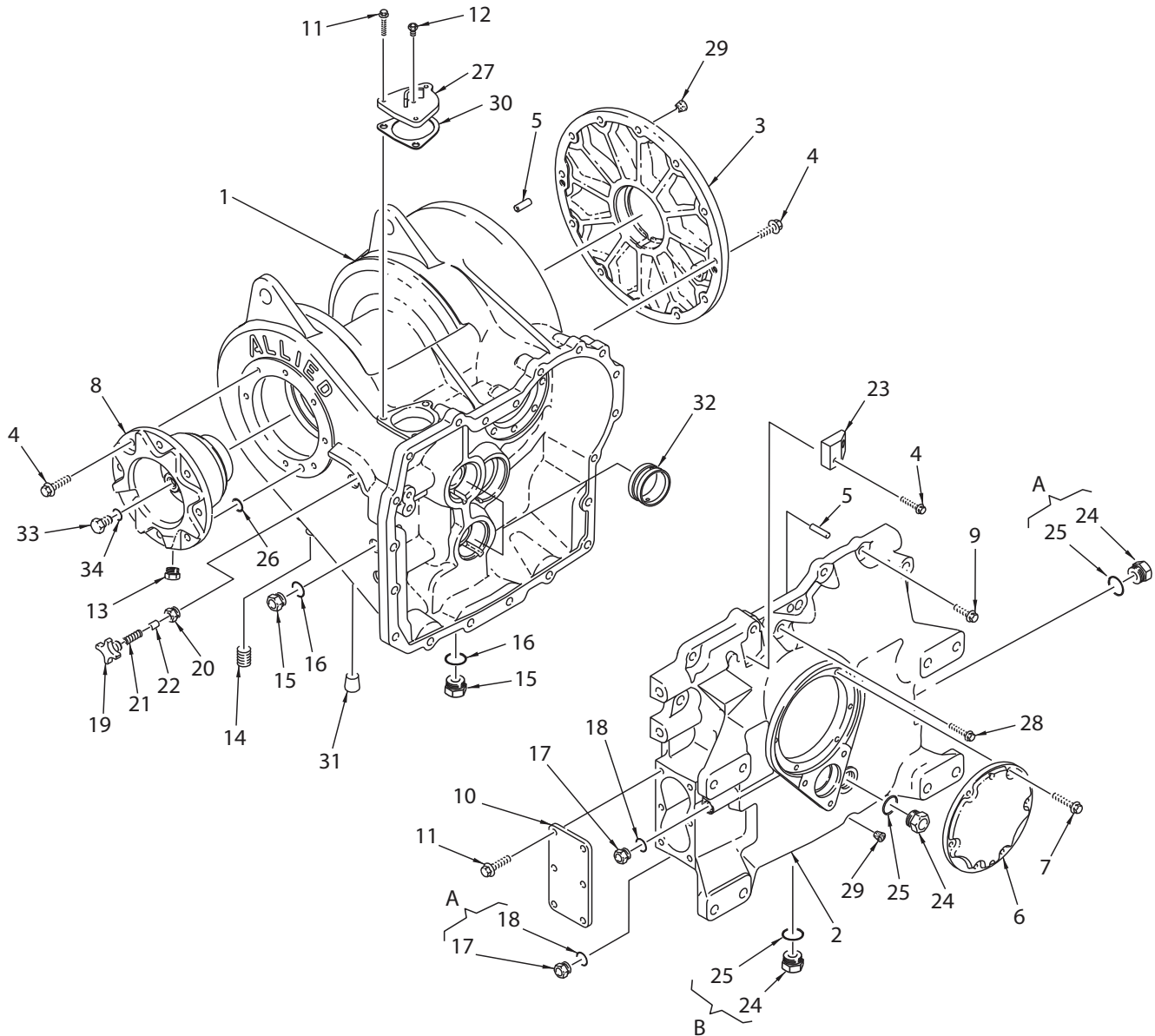
Last Used on S/N AW3C-1843
Caterpillar D3/4/5B&C DD & PS (C14), D4H (C360, C361), D5H (C371) & D5M (C30),

Last Used on S/N AW3C-1996
Caterpillar D3/4/5C Hystat (C16)

Last Used on S/N AW3C-2178

Caterpillar D4E (C15, C34)

Page 1 of 2



Frame/Covers

PFO

Last Used on S/N AW3C-1843
Caterpillar D3/4/5B&C DD & PS (C14), D4H (C360, C361), D5H (C371) & D5M (C30),

Last Used on S/N AW3C-1996
Caterpillar D3/4/5C Hystat (C16)

Last Used on S/N AW3C-2178
Caterpillar D4E (C15, C34)

Key

A - Low PTO Input (Caterpillar D4E Only)

B - High PTO input

Item	Part No.	Description	A	B	Item	Part No.	Description	A	B
1	-----	Frame	1	1	20	*b 2300174W	Insert	1	1
2	*a -----	Cover, Front	1	1	21	1314502W	Spring	1	1
3	*a 1314480W	Cover, LH	1	1	22	2300277W	Pad	1	1
4	1314566W	Capscrew	21	21	23	*a 2300199W	Block, Cable Anchor	1	1
5	136625W	Pin	4	4	24	188210W	Plug	2	2
6	*a 1314421W	Cover, Brake	1	1	25	16983W	. O-Ring	1	1
7	*a 2300296W	Capscrew	6	6	26	104681W	O-Ring	1	1
8	1314616W	Cover, RH	1	1	27	2300096W	Cap, Filler	1	1
9	1314454W	Capscrew	19	19	28	399816W	Capscrew	3	3
10	*a 1314451W	Cover, Strainer	1	1	29	18007W	Plug, Cork	4	4
11	398817W	Capscrew	9	9	30	2300097W	Gasket	1	1
12	21420W	Plug, Breather	1	1	31	18000W	Plug, Cork	4	4
13	*a 15483W	Fitting	1	1	32	2300266W	Kit, Seal Ring Sleeve	2	2
14	*a 15314W	Plug, Pipe	1	1	33	14595W	Fitting	1	1
15	216590W	Fitting	5	5	34	16484W	. O-Ring	1	1
16	16485W	. O-Ring	1	1					
17	14595W	Fitting	2	1		*a Use 313022W Adhesive			
18	16484W	. O-Ring	1	1		*b Use 318702W Thread Lock			
19	1314547W	Knob	1	1					

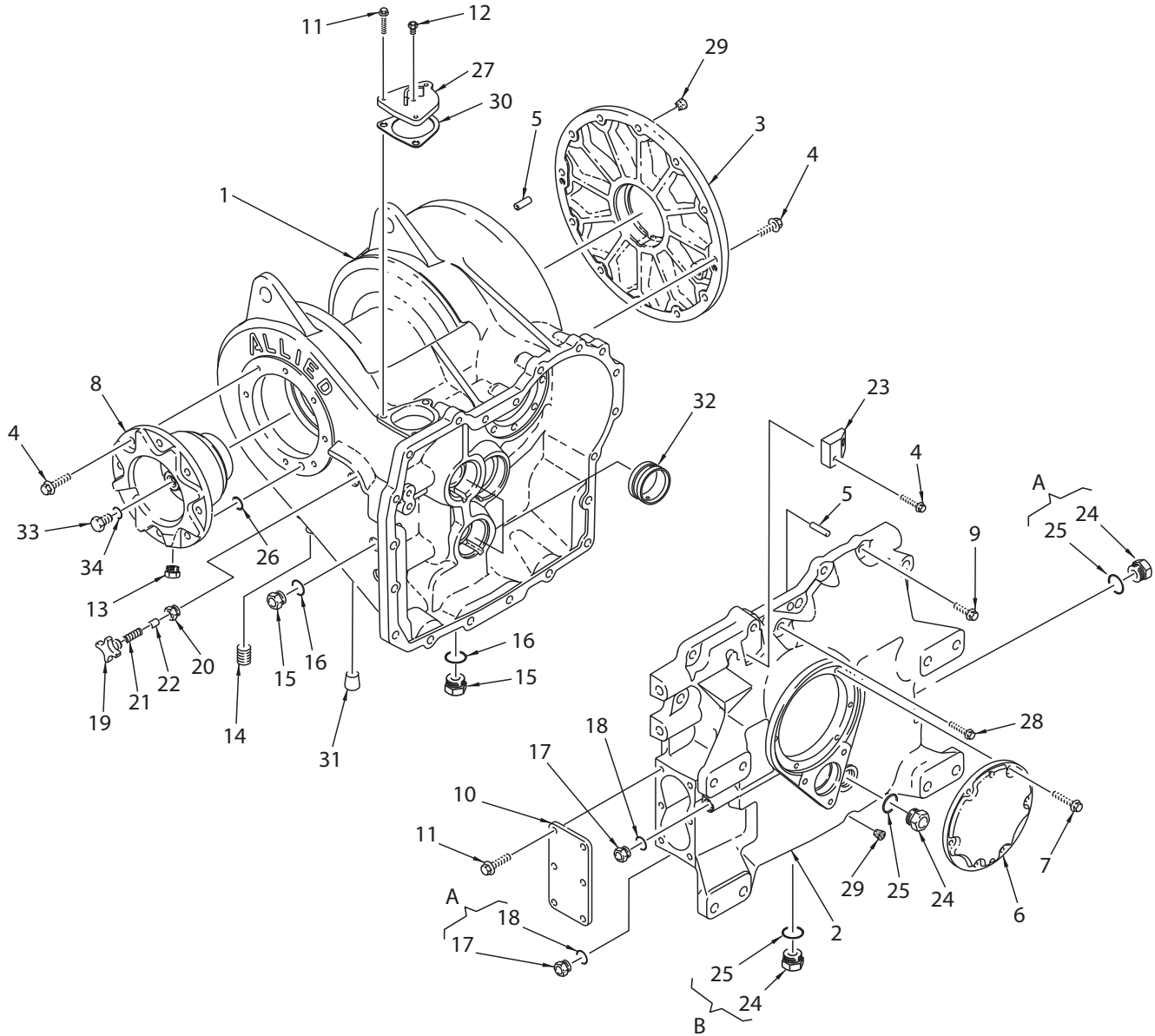
Frame/Covers

PFO

Last Used on S/N AW3C-1843

Dresser

Page 1 of 2



Frame/Covers

PFO

Last Used on S/N AW3C-1843

Dresser

Page 2 of 2

Item	Part No.	Description	Qty	Item	Part No.	Description	Qty
1	-----	Frame	1	20	*b 2300174W	Insert	1
2	*a -----	Cover, Front	1	21	1314502W	Spring	1
3	*a 1314480W	Cover, LH	1	22	2300277W	Pad	1
4	1314566W	Capscrew	21	23	*a 2300199W	Block, Cable Anchor	1
5	136625W	Pin	4	24	188210W	Plug	2
6	*a 1314421W	Cover, Brake	1	25	16983W	. O-Ring	1
7	*a 2300296W	Capscrew	6	26	104681W	O-Ring	1
8	1314616W	Cover, RH	1	27	2300096W	Cap, Filler	1
9	1314454W	Capscrew	19	28	399816W	Capscrew	3
10	*a 1314451W	Cover, Strainer	1	29	18007W	Plug, Cork	4
11	398817W	Capscrew	9	30	2300097W	Gasket	1
12	21420W	Plug, Breather	1	31	18000W	Plug, Cork	4
13	*a 15483W	Fitting	1	32	2300266W	Kit, Seal Ring Sleeve	2
14	*a 15314W	Plug, Pipe	1	33	14595W	Fitting	1
15	216590W	Fitting	5	34	16484W	. O-Ring	1
16	16485W	. O-Ring	1				
17	14595W	Fitting	2		*a Use 313022W Adhesive		
18	16484W	. O-Ring	1		*b Use 318702W Thread Lock		
19	1314547W	Knob	1				

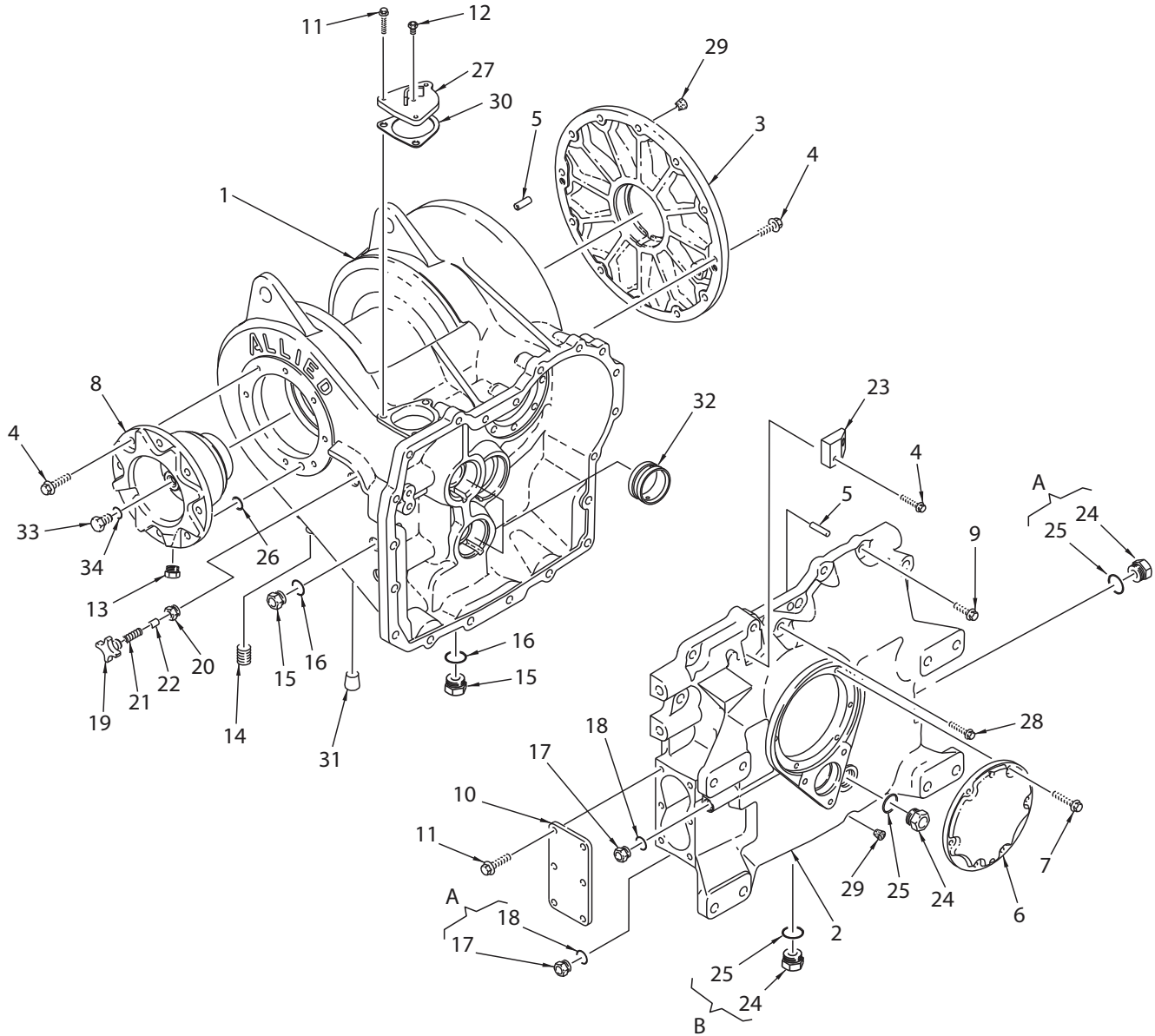
Frame/Covers

PFO

Last Used on S/N AW3C-2178

Fiat-Hitachi/New Holland

Page 1 of 2



Frame/Covers

PFO

Last Used on S/N AW3C-2178

Fiat-Hitachi/New Holland

Page 2 of 2

Key

A - Low PTO Input

B - High PTO input

Item	Part No.	Description	A	B	Item	Part No.	Description	A	B
1	-----	Frame	1	1	20	*b 2300174W	Insert	1	1
2	*a -----	Cover, Front	1	1	21	1314502W	Spring	1	1
3	*a 1314480W	Cover, LH	1	1	22	2300277W	Pad	1	1
4	1314566W	Capscrew	21	21	23	*a 2300199W	Block, Cable Anchor	1	1
5	136625W	Pin	4	4	24	188210W	Plug	2	2
6	*a 1314421W	Cover, Brake	1	1	25	16983W	. O-Ring	1	1
7	*a 2300296W	Capscrew	6	6	26	104681W	O-Ring	1	1
8	1314616W	Cover, RH	1	1	27	2300096W	Cap, Filler	1	1
9	1314454W	Capscrew	19	19	28	399816W	Capscrew	3	3
10	*a 1314451W	Cover, Strainer	1	1	29	18007W	Plug, Cork	4	4
11	398817W	Capscrew	9	9	30	2300097W	Gasket	1	1
12	21420W	Plug, Breather	1	1	31	18000W	Plug, Cork	4	4
13	*a 15483W	Fitting	1	1	32	2300266W	Kit, Seal Ring Sleeve	2	2
14	*a 15314W	Plug, Pipe	1	1	33	14595W	Fitting	1	1
15	216590W	Fitting	5	5	34	16484W	. O-Ring	1	1
16	16485W	. O-Ring	1	1					
17	14595W	Fitting	2	1		*a Use 313022W Adhesive			
18	16484W	. O-Ring	1	1		*b Use 318702W Thread Lock			
19	1314547W	Knob	1	1					

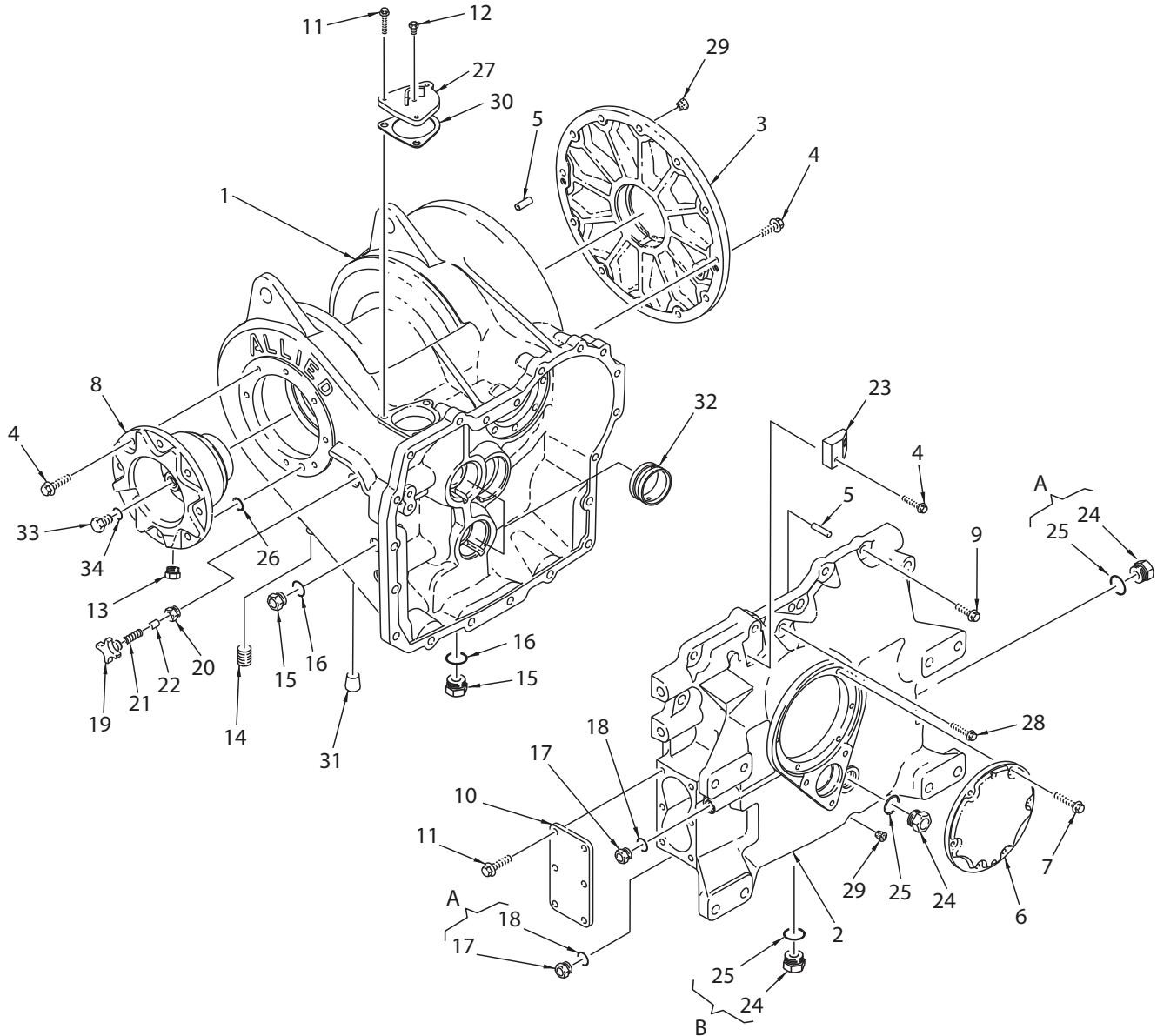
Frame/Covers

PFO

Last Used on S/N AW3C-1996

John Deere

Page 1 of 2



Frame/Covers

PFO

Last Used on S/N AW3C-1996

John Deere

Page 2 of 2

Item	Part No.	Description	Qty	Item	Part No.	Description	Qty
1	-----	Frame	1	20	*b 2300174W	Insert	1
2	*a -----	Cover, Front	1	21	1314502W	Spring	1
3	*a 1314480W	Cover, LH	1	22	2300277W	Pad	1
4	1314566W	Capscrew	21	23	*a 2300199W	Block, Cable Anchor	1
5	136625W	Pin	4	24	188210W	Plug	2
6	*a 1314421W	Cover, Brake	1	25	16983W	. O-Ring	1
7	*a 2300296W	Capscrew	6	26	104681W	O-Ring	1
8	1314616W	Cover, RH	1	27	2300096W	Cap, Filler	1
9	1314454W	Capscrew	19	28	399816W	Capscrew	3
10	*a 1314451W	Cover, Strainer	1	29	18007W	Plug, Cork	4
11	398817W	Capscrew	9	30	2300097W	Gasket	1
12	21420W	Plug, Breather	1	31	18000W	Plug, Cork	4
13	*a 15483W	Fitting	1	32	2300266W	Kit, Seal Ring Sleeve	2
14	*a 15314W	Plug, Pipe	1	33	14595W	Fitting	1
15	216590W	Fitting	5	34	16484W	. O-Ring	1
16	16485W	. O-Ring	1				
17	14595W	Fitting	2		*a Use 313022W Adhesive		
18	16484W	. O-Ring	1		*b Use 318702W Thread Lock		
19	1314547W	Knob	1				

Frame/Covers

PFO

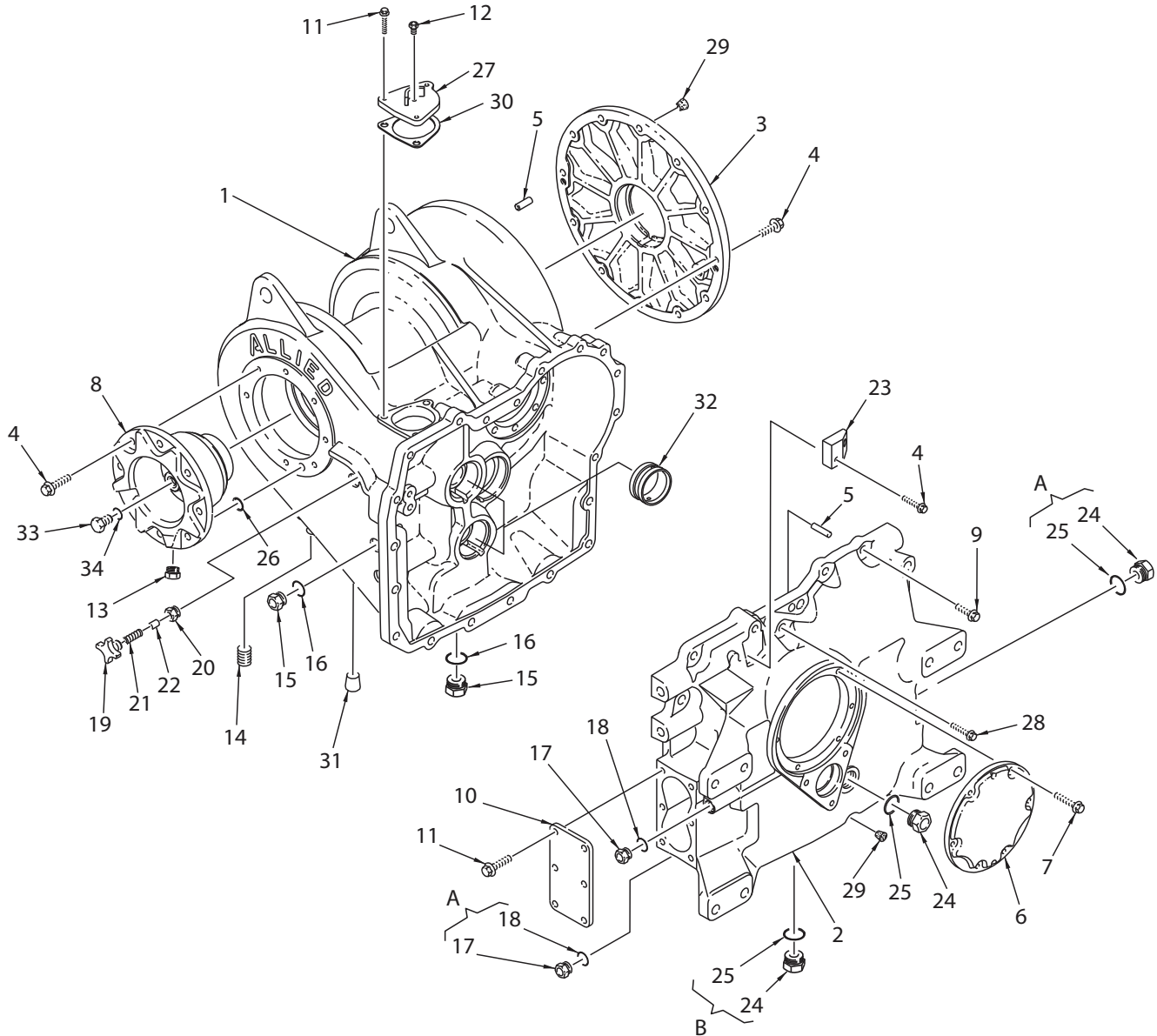
Last Used on S/N AW3C-1843

Komatsu D32/38/39 (K13)

Last Used on S/N AW3C-1996

Komatsu D31/37 (K11)

Page 1 of 2



Frame/Covers

PFO

Last Used on S/N AW3C-1843

Komatsu D32/38/39 (K13)

Last Used on S/N AW3C-1996

Komatsu D31/37 (K11)

Page 2 of 2

Item	Part No.	Description	Qty	Item	Part No.	Description	Qty
1	-----	Frame	1	20	*b 2300174W	Insert	1
2	*a -----	Cover, Front	1	21	1314502W	Spring	1
3	*a 1314480W	Cover, LH	1	22	2300277W	Pad	1
4	1314566W	Capscrew	21	23	*a 2300199W	Block, Cable Anchor	1
5	136625W	Pin	4	24	188210W	Plug	2
6	*a 1314421W	Cover, Brake	1	25	16983W	. O-Ring	1
7	*a 2300296W	Capscrew	6	26	104681W	O-Ring	1
8	1314616W	Cover, RH	1	27	2300096W	Cap, Filler	1
9	1314454W	Capscrew	19	28	399816W	Capscrew	3
10	*a 1314451W	Cover, Strainer	1	29	18007W	Plug, Cork	4
11	398817W	Capscrew	9	30	2300097W	Gasket	1
12	21420W	Plug, Breather	1	31	18000W	Plug, Cork	4
13	*a 15483W	Fitting	1	32	2300266W	Kit, Seal Ring Sleeve	2
14	*a 15314W	Plug, Pipe	1	33	14595W	Fitting	1
15	216590W	Fitting	5	34	16484W	. O-Ring	1
16	16485W	. O-Ring	1				
17	14595W	Fitting	2		*a Use 313022W Adhesive		
18	16484W	. O-Ring	1		*b Use 318702W Thread Lock		
19	1314547W	Knob	1				

Frame/Covers

PFR

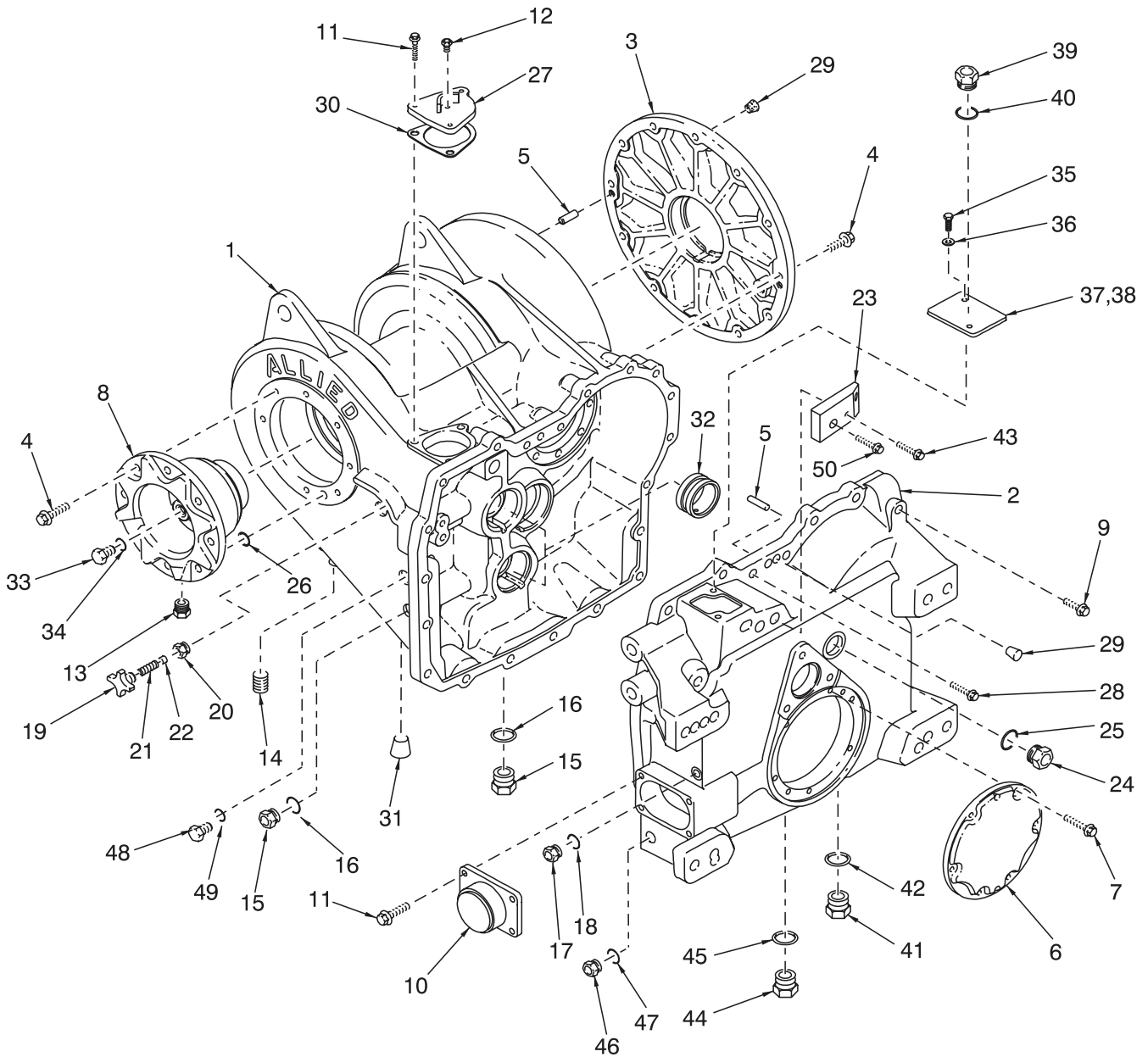
First Used on S/N AW3C-1000

PFO

First Used on S/N AW3C-2179

Case

Page 1 of 2



Frame/Covers

PFR

First Used on S/N AW3C-1000

PFO

First Used on S/N AW3C-2179

Case

Page 2 of 2

Key

A - Low PTO Input

B - High PTO input

Item	Part No.	Description	A	B	Item	Part No.	Description	A	B
1	-----	Frame	1	1	31	18000W	Plug, Cork	4	4
2	*a -----	Cover, Front	1	1	32	2300266W	Kit, Seal Ring Sleeve	2	2
3	*a 1314480W	Cover, LH	1	1	33	14595W	Fitting	2	2
4	1314566W	Capscrew	21	21	34	16484W	. O-Ring	1	1
5	136625W	Pin	4	4	35	*c 194090W	Capscrew	2	2
6	*a 1314421W	Cover, Brake	1	1	36	*c 15156W	Washer	2	2
7	*a 2300296W	Capscrew	6	6	37	*c 2301214W	Gasket, Cable	1	1
8	1314616W	Cover, RH	1	1	38	*c 2301215W	Cover, Cable	1	1
9	399816W	Capscrew	1	1	39	*d 188210W	Fitting	1	1
10	*a 2301188W	Cover, Strainer	1	1	40	*d 16983W	.O-Ring	1	1
11	398817W	Capscrew	7	7	41	2302208W	Fitting	--	1
12	21420W	Plug, Breather	1	1	42	16485W	. O-Ring	--	1
13	*a 15483W	Fitting	1	1	43	2301597W	Capscrew	1	1
14	*a 15314W	Plug, Pipe	1	1	44	188210W	Fitting	--	1
15	216590W	Fitting	5	5	45	16983W	. O-Ring	--	1
16	16485W	. O-Ring	1	1	46	14594W	Fitting	1	--
17	14594W	Fitting	1	1	47	16484W	. O-Ring	1	--
18	16484W	. O-Ring	1	1	48	216590W	Fitting	1	1
19	1314547W	Knob	1	1	48	*g 14595W	Fitting	1	1
20	*b 2300174W	Insert	1	1	49	16485W	. O-Ring	1	1
21	1314502W	Spring	1	1	49	*g 16484W	. O-Ring	1	1
22	2300277W	Pad	1	1	50	*i 222653W	Screw	1	--
23	*a,*f 2302080W	Block, Cable Anchor	--	1		*a	Use 313022W Adhesive		
23	*a,*e,*h 2300851W	Block, Cable Anchor	--	1		*b	Use 318702W Thread Lock		
23	*a 2301212W	Block, Cable Anchor	1	--		*c	Last Used on AW3C-1789		
24	188210W	Plug	2	2		*d	First Used on AW3C-1790		
25	16983W	. O-Ring	1	1		*e	PFR Only on S/N AW3C-2582 & Below		
26	104681W	O-Ring	1	1		*f	PFO Only, Last Used on S/N AW3C-2582		
27	2300096W	Cap, Filler	1	1		*g	First used on AW3C-2323		
28	1314454W	Capscrew	19	19		*h	PFR & PFO on S/N AW3C-2583 & Above		
29	18007W	Plug, Cork	4	4		*i	PFO Only		
30	2300097W	Gasket	1	1					

Frame/Covers

PFR

First Used on S/N AW3C-1000

PFO

First Used on S/N AW3C-1844

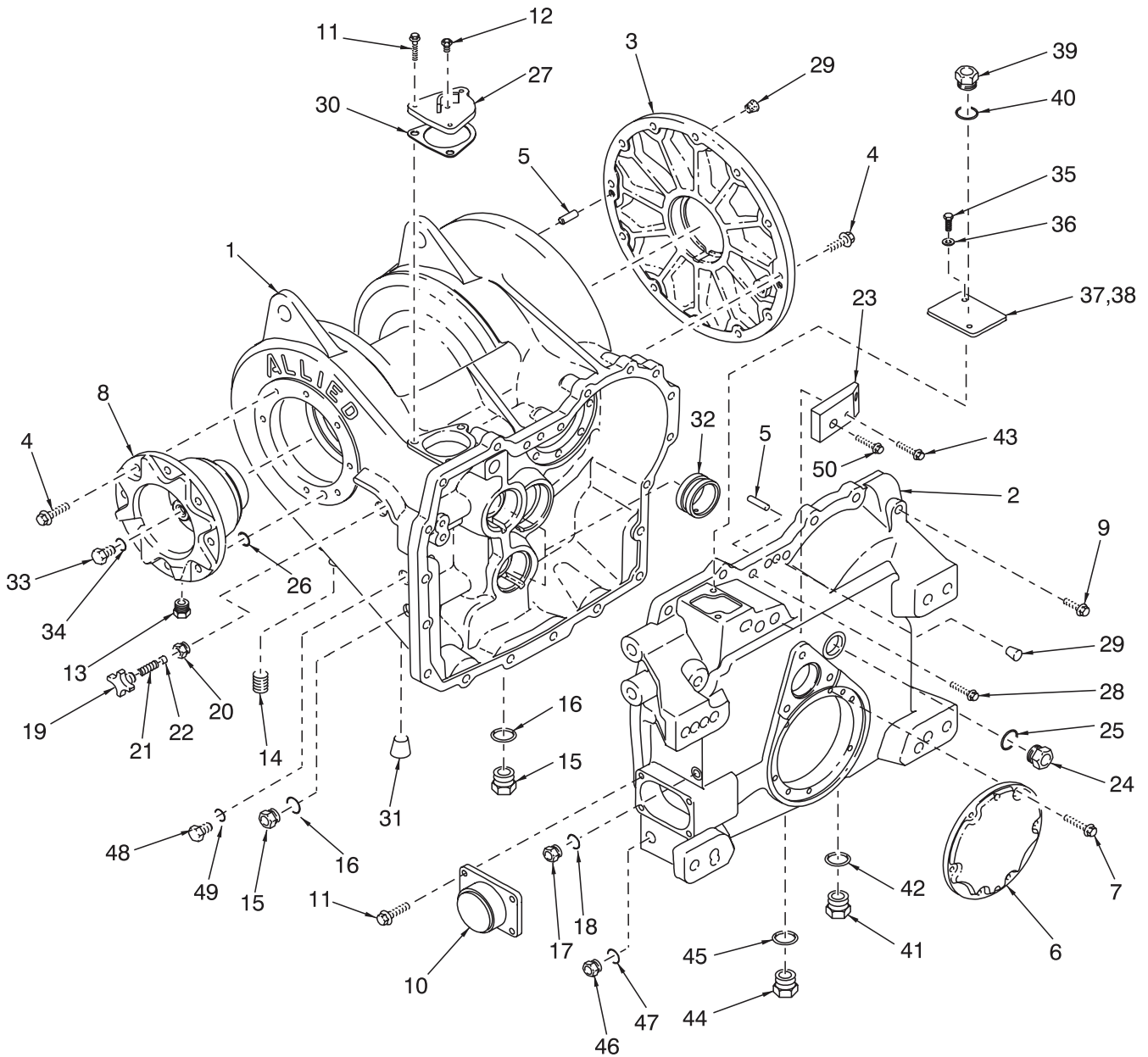
Caterpillar D3/4/5B&C DD & PS (C14), D4H (C360, C361), D5H (C371) & D5M (C30),

First Used on S/N AW3C-1997

Caterpillar D3/4/5C Hystat (C16)

First Used on S/N AW3C-2179

Caterpillar D4E (C15, C34)



Frame/Covers

PFR

First Used on S/N AW3C-1000

PFO

First Used on S/N AW3C-1844

Caterpillar D3/4/5B&C DD & PS (C14), D4H (C360, C361), D5H (C371) & D5M (C30),

First Used on S/N AW3C-1997

Caterpillar D3/4/5C Hystat (C16)

First Used on S/N AW3C-2179

Caterpillar D4E (C15, C34)

Key

A - Low PTO Input (Caterpillar D4E Only)

B - High PTO input

Item	Part No.	Description	A	B	Item	Part No.	Description	A	B
1	-----	Frame	1	1	31	18000W	Plug, Cork	4	4
2	*a -----	Cover, Front	1	1	32	2300266W	Kit, Seal Ring Sleeve	2	2
3	*a 1314480W	Cover, LH	1	1	33	14595W	Fitting	2	2
4	1314566W	Capscrew	21	21	34	16484W	. O-Ring	1	1
5	136625W	Pin	4	4	35	*c 194090W	Capscrew	2	2
6	*a 1314421W	Cover, Brake	1	1	36	*c 15156W	Washer	2	2
7	*a 2300296W	Capscrew	6	6	37	*c 2301214W	Gasket, Cable	1	1
8	1314616W	Cover, RH	1	1	38	*c 2301215W	Cover, Cable	1	1
9	399816W	Capscrew	1	1	39	*d 188210W	Fitting	1	1
10	*a 2301188W	Cover, Strainer	1	1	40	*d 16983W	.O-Ring	1	1
11	398817W	Capscrew	7	7	41	2302208W	Fitting	--	1
12	21420W	Plug, Breather	1	1	42	16485W	. O-Ring	--	1
13	*a 15483W	Fitting	1	1	43	2301597W	Capscrew	1	1
14	*a 15314W	Plug, Pipe	1	1	44	188210W	Fitting	--	1
15	216590W	Fitting	5	5	45	16983W	. O-Ring	--	1
16	16485W	. O-Ring	1	1	46	14594W	Fitting	1	--
17	14594W	Fitting	1	1	47	16484W	. O-Ring	1	--
18	16484W	. O-Ring	1	1	48	216590W	Fitting	1	1
19	1314547W	Knob	1	1	48	*g 14595W	Fitting	1	1
20	*b 2300174W	Insert	1	1	49	16485W	. O-Ring	1	1
21	1314502W	Spring	1	1	49	*g 16484W	. O-Ring	1	1
22	2300277W	Pad	1	1	50	*i 222653W	Screw	1	--
23	*a,*f 2302080W	Block, Cable Anchor	--	1					
23	*a,*e,*h 2300851W	Block, Cable Anchor	--	1		*a	Use 313022W Adhesive		
23	*a 2301212W	Block, Cable Anchor	1	--		*b	Use 318702W Thread Lock		
24	188210W	Plug	2	2		*c	Last Used on AW3C-1789		
25	16983W	. O-Ring	1	1		*d	First Used on AW3C-1790		
26	104681W	O-Ring	1	1		*e	PFR Only on S/N AW3C-2582 & Below		
27	2300096W	Cap, Filler	1	1		*f	PFO Only, Last Used on S/N AW3C-2582		
28	1314454W	Capscrew	19	19		*g	First used on AW3C-2323		
29	18007W	Plug, Cork	4	4		*h	PFR & PFO on S/N AW3C-2583 & Above		
30	2300097W	Gasket	1	1		*i	PFO Only		

Frame/Covers

PFR

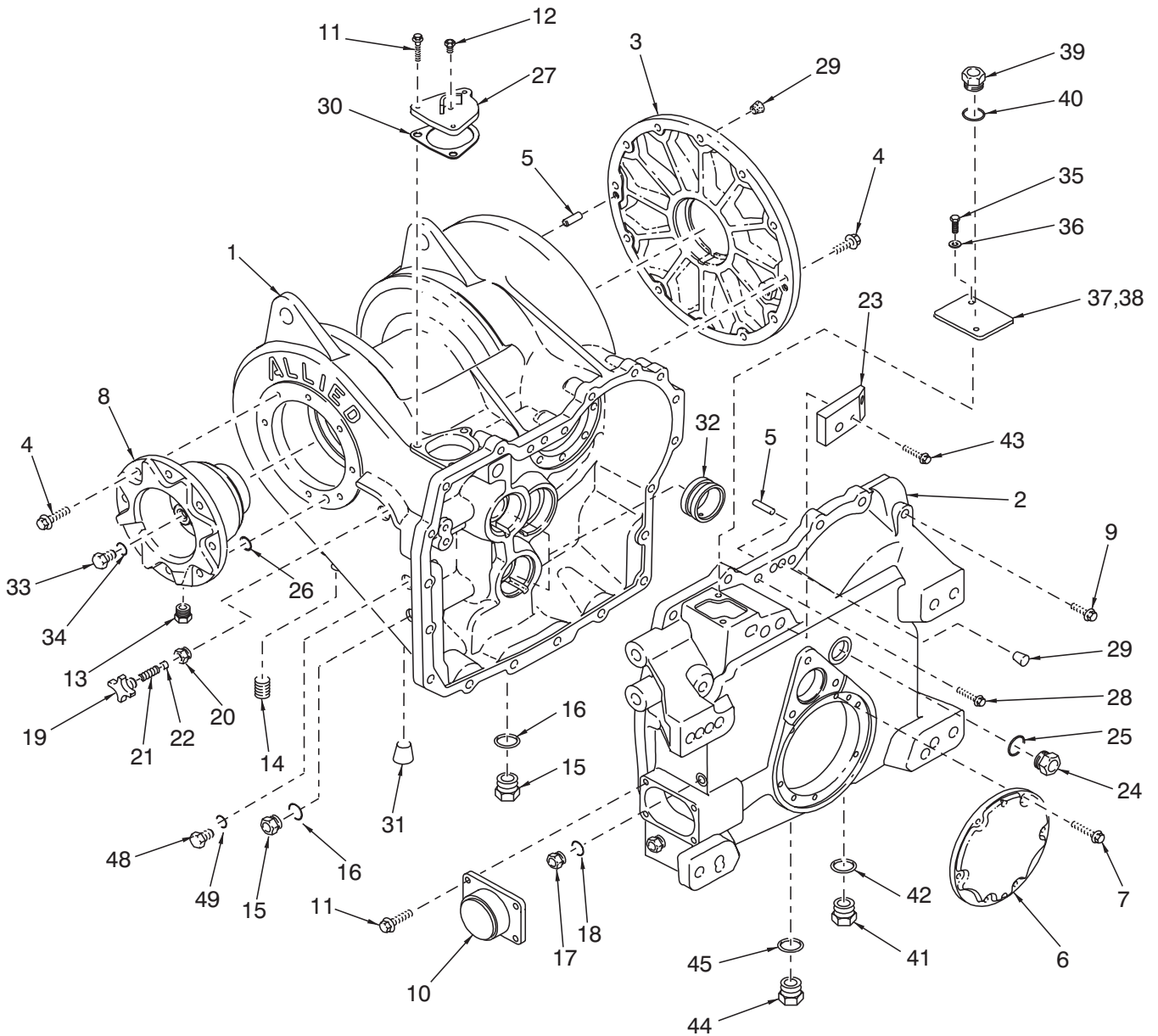
First Used on S/N AW3C-1000

PFO

First Used on S/N AW3C-1844

Dresser

Page 1 of 2



Frame/Covers

PFR

First Used on S/N AW3C-1000

PFO

First Used on S/N AW3C-1844

Dresser

Page 2 of 2

Item	Part No.	Description	Qty	Item	Part No.	Description	Qty
1	-----	Frame	1	30	2300097W	Gasket	1
2	*a -----	Cover, Front	1	31	18000W	Plug, Cork	4
3	*a 1314480W	Cover, LH	1	32	2300266W	Kit, Seal Ring Sleeve	2
4	1314566W	Capscrew	21	33	14595W	Fitting	2
5	136625W	Pin	4	34	16484W	. O-Ring	1
6	*a 1314421W	Cover, Brake	1	35	*c 194090W	Capscrew	2
7	*a 2300296W	Capscrew	6	36	*c 15156W	Washer	2
8	1314616W	Cover, RH	1	37	*c 2301214W	Gasket, Cable	1
9	399816W	Capscrew	1	38	*c 2301215W	Cover, Cable	1
10	*a 2301188W	Cover, Strainer	1	39	*d 188210W	Fitting	1
11	398817W	Capscrew	7	40	*d 16983W	.O-Ring	1
12	21420W	Plug, Breather	1	41	2302208W	Fitting	1
13	*a 15483W	Fitting	1	42	16485W	. O-Ring	1
14	*a 15314W	Plug, Pipe	1	43	2301597W	Capscrew	1
15	216590W	Fitting	5	44	188210W	Fitting	1
16	16485W	. O-Ring	1	45	16983W	. O-Ring	1
17	14594W	Fitting	1	48	216590W	Fitting	1
18	16484W	. O-Ring	1	48	*g 14595W	Fitting	1
19	1314547W	Knob	1	49	16485W	. O-Ring	1
20	*b 2300174W	Insert	1	49	*g 16484W	. O-Ring	1
21	1314502W	Spring	1				
22	2300277W	Pad	1		*a Use 313022W Adhesive		
23	*a,*f 2302080W	Block, Cable Anchor	1		*b Use 318702W Thread Lock		
23	*a,*e,*h 2300851W	Block, Cable Anchor	1		*c Last Used on S/N AW3C-1789		
24	188210W	Plug	2		*d First Used on S/N AW3C-1790		
25	16983W	. O-Ring	1		*e PFR Only on S/N AW3C-2582 & Below		
26	104681W	O-Ring	1		*f PFO Only, Last Used on S/N AW3C-2582		
27	2300096W	Cap, Filler	1		*g First Used on S/N AW3C-2323		
28	1314454W	Capscrew	19		*h PFR & PFO on S/N AW3C-2583 & Above		
29	18007W	Plug, Cork	4				

Frame/Covers

PFR

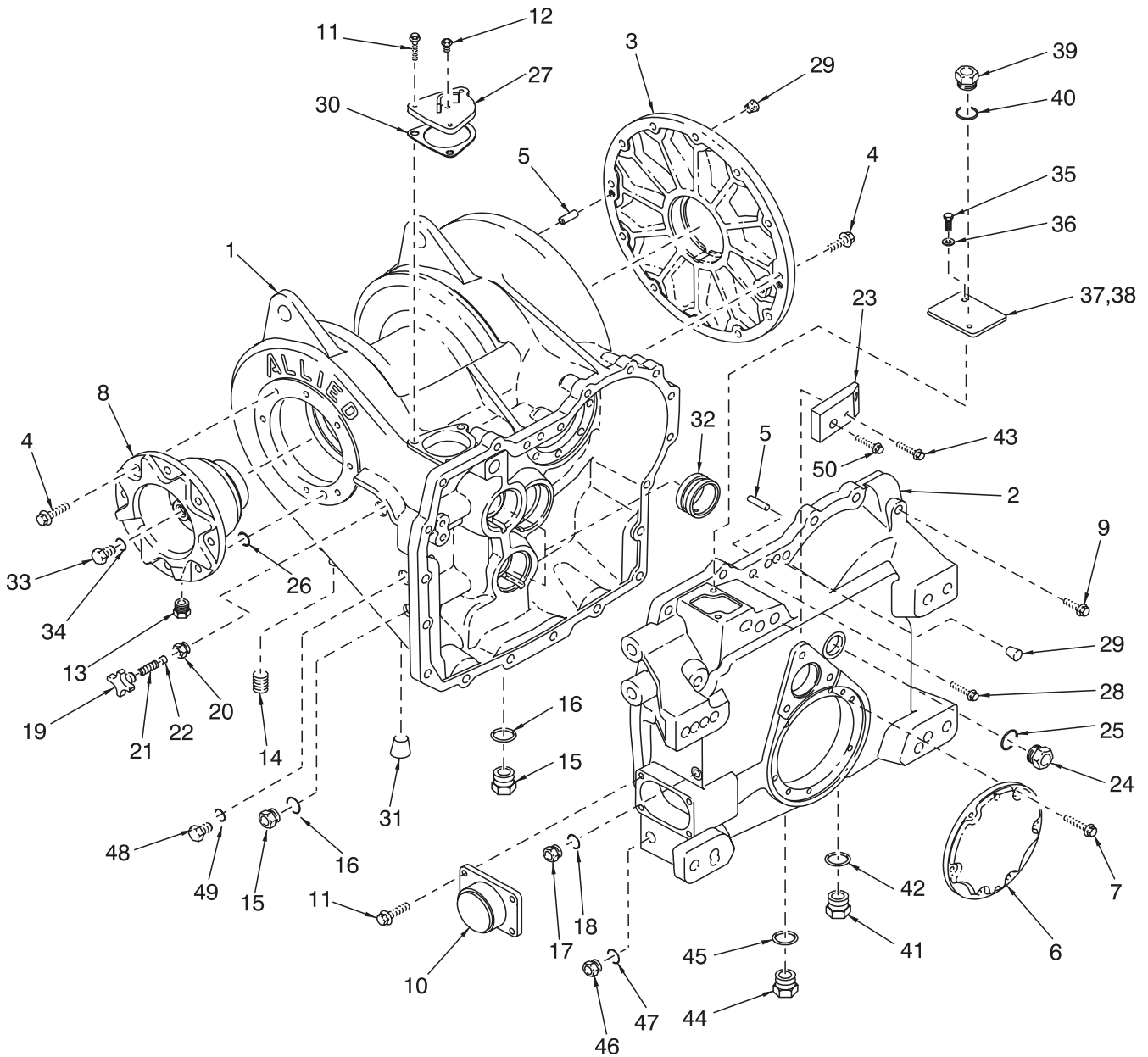
First Used on S/N AW3C-1000

PFO

First Used on S/N AW3C-2179

Fiat-Hitachi/New Holland

Page 1 of 2



Frame/Covers

PFR

First Used on S/N AW3C-1000

PFO

First Used on S/N AW3C-2179

Fiat-Hitachi/New Holland

Key

A - Low PTO Input

B - High PTO input

Item	Part No.	Description	A	B	Item	Part No.	Description	A	B
1	-----	Frame	1	1	31	18000W	Plug, Cork	4	4
2	*a -----	Cover, Front	1	1	32	2300266W	Kit, Seal Ring Sleeve	2	2
3	*a 1314480W	Cover, LH	1	1	33	14595W	Fitting	2	2
4	1314566W	Capscrew	21	21	34	16484W	. O-Ring	1	1
5	136625W	Pin	4	4	35	*c 194090W	Capscrew	2	2
6	*a 1314421W	Cover, Brake	1	1	36	*c 15156W	Washer	2	2
7	*a 2300296W	Capscrew	6	6	37	*c 2301214W	Gasket, Cable	1	1
8	1314616W	Cover, RH	1	1	38	*c 2301215W	Cover, Cable	1	1
9	399816W	Capscrew	1	1	39	*d 188210W	Fitting	1	1
10	*a 2301188W	Cover, Strainer	1	1	40	*d 16983W	.O-Ring	1	1
11	398817W	Capscrew	7	7	41	2302208W	Fitting	--	1
12	21420W	Plug, Breather	1	1	42	16485W	. O-Ring	--	1
13	*a 15483W	Fitting	1	1	43	2301597W	Capscrew	1	1
14	*a 15314W	Plug, Pipe	1	1	44	188210W	Fitting	--	1
15	216590W	Fitting	5	5	45	16983W	. O-Ring	--	1
16	16485W	. O-Ring	1	1	46	14594W	Fitting	1	--
17	14594W	Fitting	1	1	47	16484W	. O-Ring	1	--
18	16484W	. O-Ring	1	1	48	216590W	Fitting	1	1
19	1314547W	Knob	1	1	48	*g 14595W	Fitting	1	1
20	*b 2300174W	Insert	1	1	49	16485W	. O-Ring	1	1
21	1314502W	Spring	1	1	49	*g 16484W	. O-Ring	1	1
22	2300277W	Pad	1	1	50	*i 222653W	Screw	1	--
23	*a,*f 2302080W	Block, Cable Anchor	--	1					
23	*a,*e,*h 2300851W	Block, Cable Anchor	--	1		*a	Use 313022W Adhesive		
23	*a 2301212W	Block, Cable Anchor	1	--		*b	Use 318702W Thread Lock		
24	188210W	Plug	2	2		*c	Last Used on AW3C-1789		
25	16983W	. O-Ring	1	1		*d	First Used on AW3C-1790		
26	104681W	O-Ring	1	1		*e	PFR Only on S/N AW3C-2582 & Below		
27	2300096W	Cap, Filler	1	1		*f	PFO Only, Last Used on S/N AW3C-2582		
28	1314454W	Capscrew	19	19		*g	First used on AW3C-2323		
29	18007W	Plug, Cork	4	4		*h	PFR & PFO on S/N AW3C-2583 & Above		
30	2300097W	Gasket	1	1		*i	PFO Only		

Frame/Covers

PFR

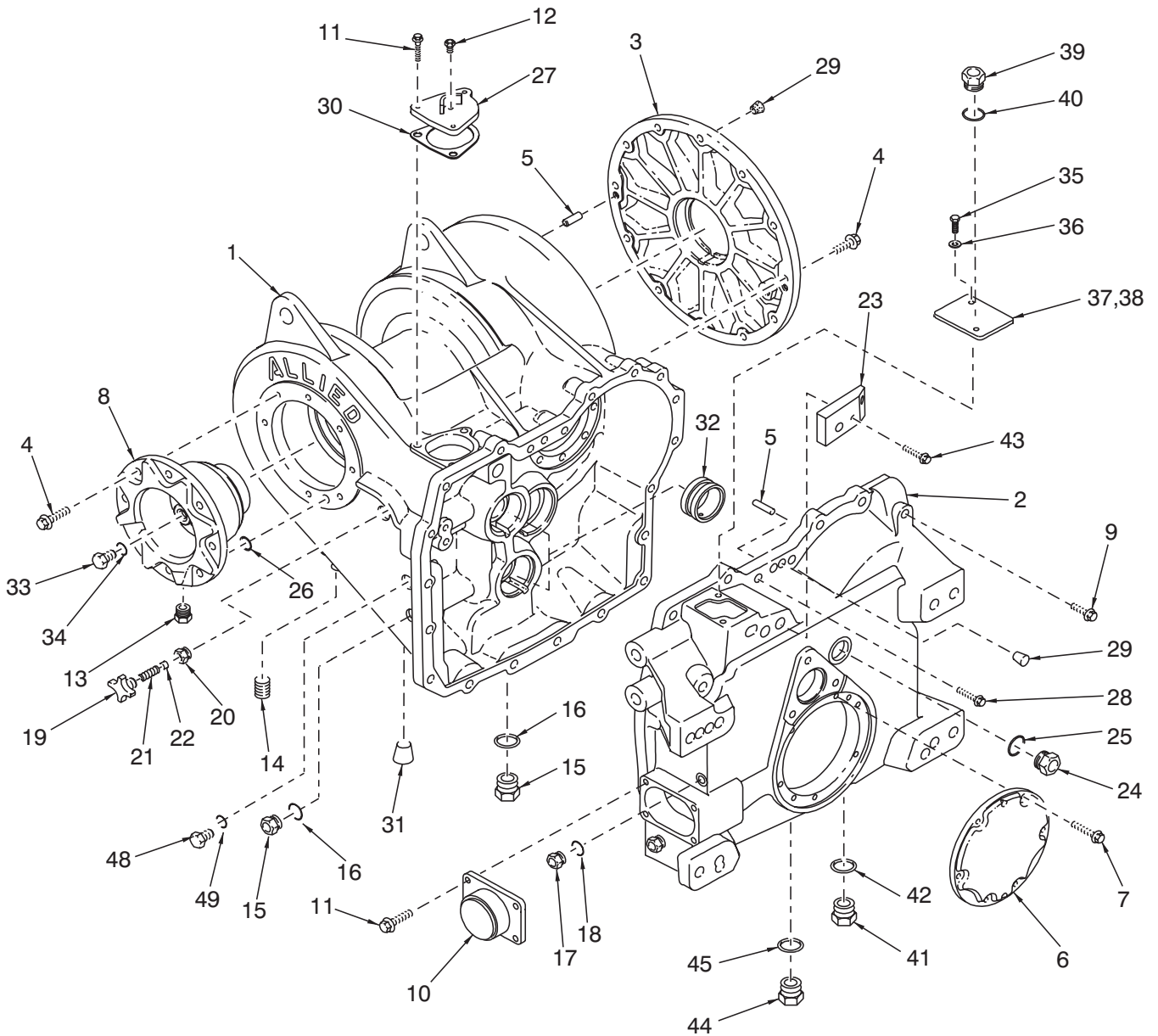
First Used on S/N AW3C-1000

PFO

First Used on S/N AW3C-1997

John Deere

Page 1 of 2



Frame/Covers

PFR

First Used on S/N AW3C-1000

PFO

First Used on S/N AW3C-1997

John Deere

Page 2 of 2

Item	Part No.	Description	Qty	Item	Part No.	Description	Qty
1	-----	Frame	1	30	2300097W	Gasket	1
2	*a -----	Cover, Front	1	31	18000W	Plug, Cork	4
3	*a 1314480W	Cover, LH	1	32	2300266W	Kit, Seal Ring Sleeve	2
4	1314566W	Capscrew	21	33	14595W	Fitting	2
5	136625W	Pin	4	34	16484W	. O-Ring	1
6	*a 1314421W	Cover, Brake	1	35	*c 194090W	Capscrew	2
7	*a 2300296W	Capscrew	6	36	*c 15156W	Washer	2
8	1314616W	Cover, RH	1	37	*c 2301214W	Gasket, Cable	1
9	399816W	Capscrew	1	38	*c 2301215W	Cover, Cable	1
10	*a 2301188W	Cover, Strainer	1	39	*d 188210W	Fitting	1
11	398817W	Capscrew	7	40	*d 16983W	.O-Ring	1
12	21420W	Plug, Breather	1	41	2302208W	Fitting	1
13	*a 15483W	Fitting	1	42	16485W	. O-Ring	1
14	*a 15314W	Plug, Pipe	1	43	2301597W	Capscrew	1
15	216590W	Fitting	5	44	188210W	Fitting	1
16	16485W	. O-Ring	1	45	16983W	. O-Ring	1
17	14594W	Fitting	1	48	216590W	Fitting	1
18	16484W	. O-Ring	1	48	*g 14595W	Fitting	1
19	1314547W	Knob	1	49	16485W	. O-Ring	1
20	*b 2300174W	Insert	1	49	*g 16484W	. O-Ring	1
21	1314502W	Spring	1				
22	2300277W	Pad	1		*a Use 313022W Adhesive		
23	*a,*f 2302080W	Block, Cable Anchor	1		*b Use 318702W Thread Lock		
23	*a,*e,*h 2300851W	Block, Cable Anchor	1		*c Last Used on AW3C-1789		
24	188210W	Plug	2		*d First Used on AW3C-1790		
25	16983W	. O-Ring	1		*e PFR Only on S/N AW3C-2582 & Below		
26	104681W	O-Ring	1		*f PFO Only, Last Used on S/N AW3C-2582		
27	2300096W	Cap, Filler	1		*g First used on AW3C-2323		
28	1314454W	Capscrew	19		*h PFR & PFO on S/N AW3C-2583 & Above		
29	18007W	Plug, Cork	4				

Frame/Covers

PFR

First Used on S/N AW3C-1000

PFO

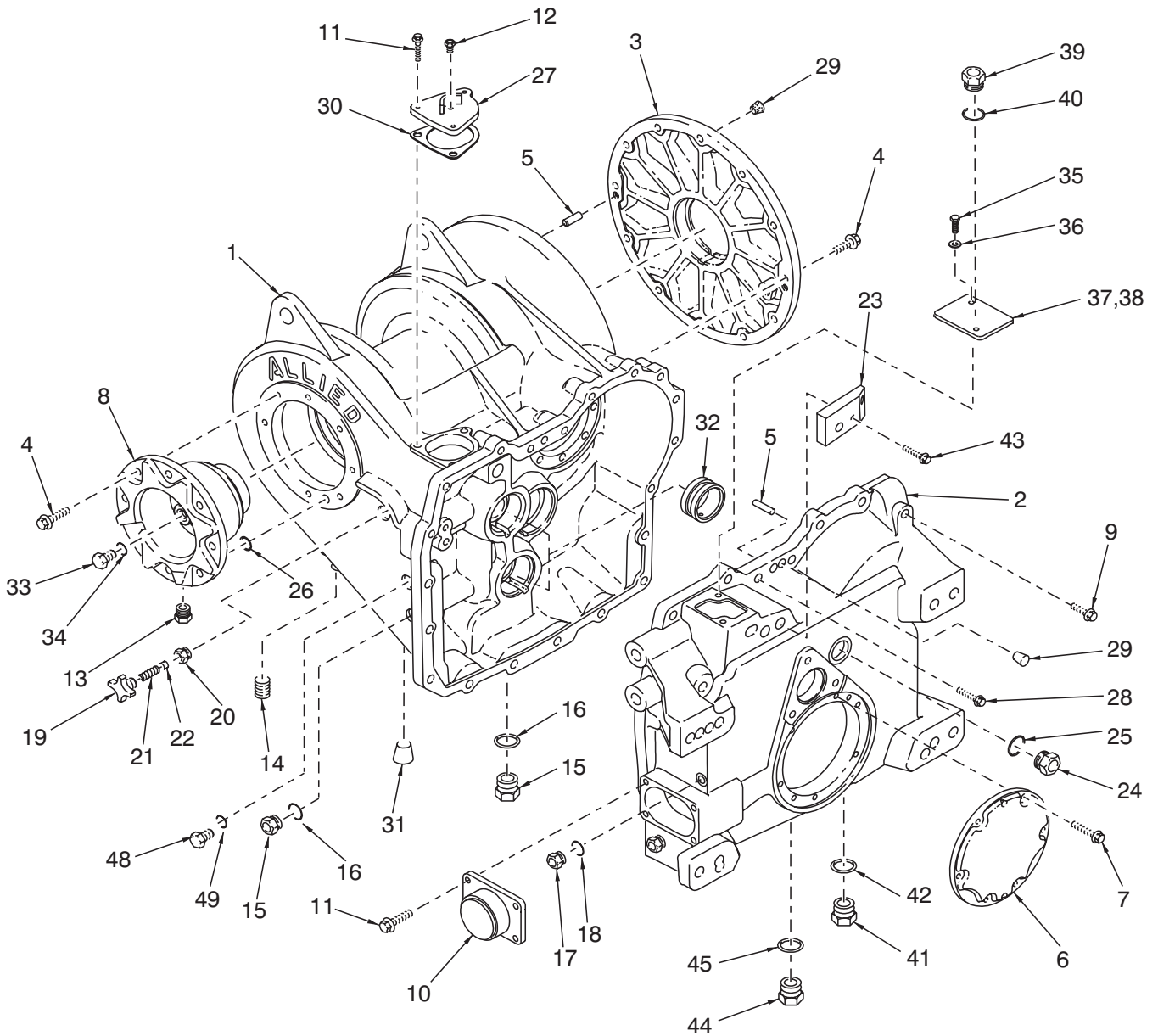
First Used on S/N AW3C-1844

Komatsu D32/38/39 (K13)

First Used on S/N AW3C-1997

Komatsu D31/37 (K11)

Page 1 of 2



Frame/Covers

PFR

First Used on S/N AW3C-1000

PFO

First Used on S/N AW3C-1844

Komatsu D32/38/39 (K13)

First Used on S/N AW3C-1997

Komatsu D31/37 (K11)

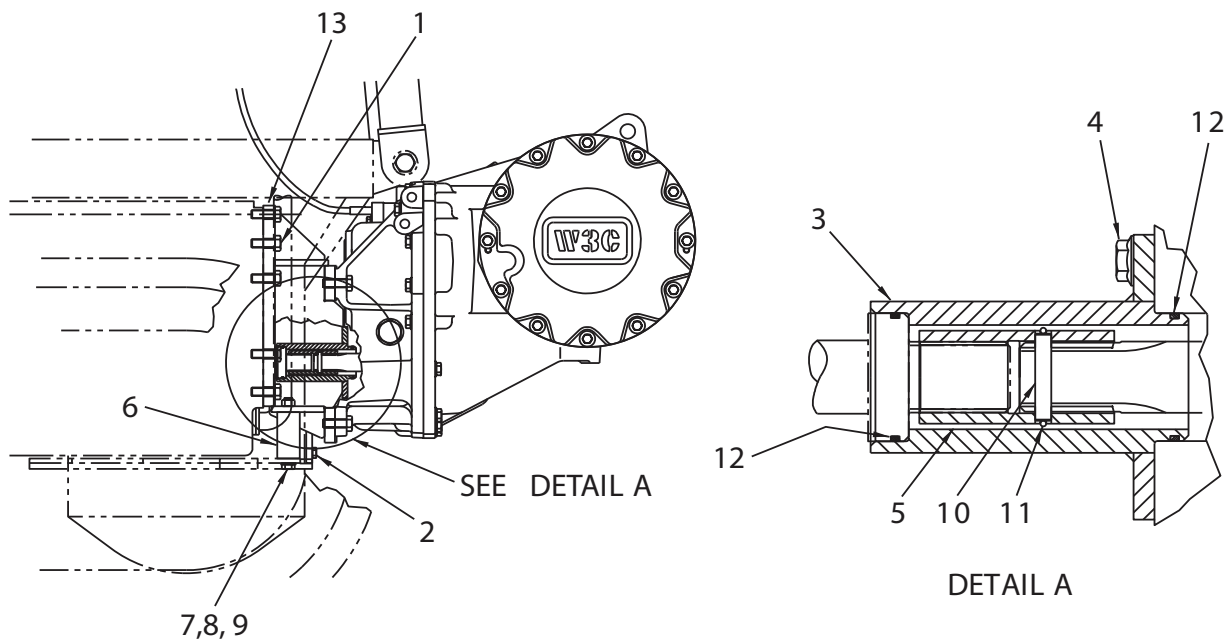
Page 2 of 2

Item	Part No.	Description	Qty	Item	Part No.	Description	Qty
1	-----	Frame	1	30	2300097W	Gasket	1
2	*a -----	Cover, Front	1	31	18000W	Plug, Cork	4
3	*a 1314480W	Cover, LH	1	32	2300266W	Kit, Seal Ring Sleeve	2
4	1314566W	Capscrew	21	33	14595W	Fitting	2
5	136625W	Pin	4	34	16484W	. O-Ring	1
6	*a 1314421W	Cover, Brake	1	35	*c 194090W	Capscrew	2
7	*a 2300296W	Capscrew	6	36	*c 15156W	Washer	2
8	1314616W	Cover, RH	1	37	*c 2301214W	Gasket, Cable	1
9	399816W	Capscrew	1	38	*c 2301215W	Cover, Cable	1
10	*a 2301188W	Cover, Strainer	1	39	*d 188210W	Fitting	1
11	398817W	Capscrew	7	40	*d 16983W	.O-Ring	1
12	21420W	Plug, Breather	1	41	2302208W	Fitting	1
13	*a 15483W	Fitting	1	42	16485W	. O-Ring	1
14	*a 15314W	Plug, Pipe	1	43	2301597W	Capscrew	1
15	216590W	Fitting	5	44	188210W	Fitting	1
16	16485W	. O-Ring	1	45	16983W	. O-Ring	1
17	14594W	Fitting	1	48	216590W	Fitting	1 1
18	16484W	. O-Ring	1	48	*g 14595W	Fitting	1 1
19	1314547W	Knob	1	49	16485W	. O-Ring	1 1
20	*b 2300174W	Insert	1	49	*g 16484W	. O-Ring	1 1
21	1314502W	Spring	1				
22	2300277W	Pad	1		*a Use 313022W Adhesive		
23	*a,*f 2302080W	Block, Cable Anchor	1		*b Use 318702W Thread Lock		
23	*a,*e,*h 2300851W	Block, Cable Anchor	1		*c Last Used on S/N AW3C-1789		
24	188210W	Plug	2		*d First Used on S/N AW3C-1790		
25	16983W	. O-Ring	1		*e PFR Only on S/N AW3C-2582 & Below		
26	104681W	O-Ring	1		*f PFO Only, Last Used on S/N AW3C-2582		
27	2300096W	Cap, Filler	1		*g First Used on S/N AW3C-2323		
28	1314454W	Capscrew	19		*h PFR & PFO on S/N AW3C-2583 & Above		
29	18007W	Plug, Cork	4				

Mounting Parts - PFO & PFR

Last Used on AW3C-2356

Case 450-550G/H (R11), 850G/H (R11), 650-850G/H (R13)

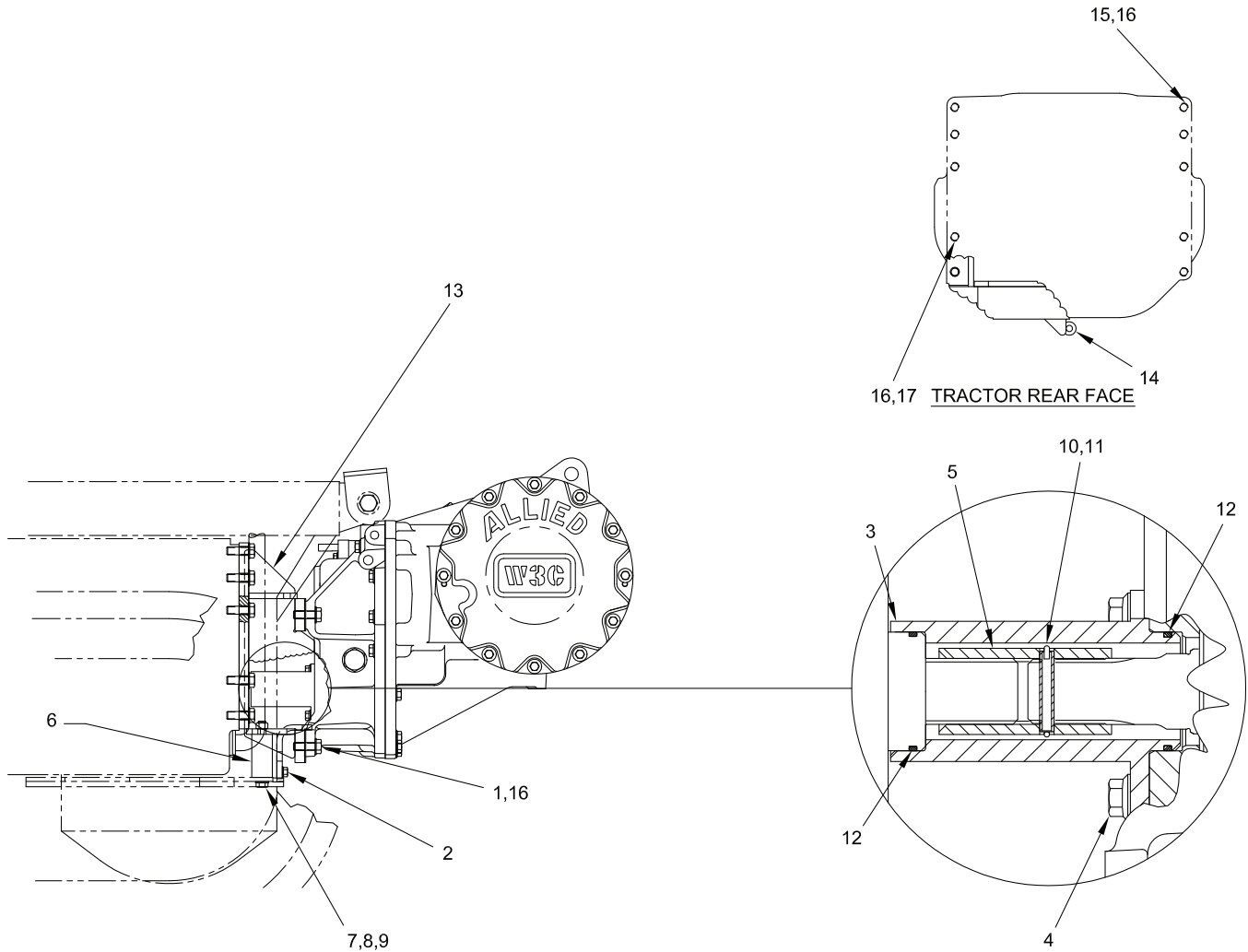


Item	Part No.	Description	Qty	Item	Part No.	Description	Qty
1	*a 168054W	Capscrew	18	9	221357W	Locknut	2
1	221777W	Washer	18	10	19928W	Pin, Roll	1
2	*b 1314566W	Screw, Flange	1	11	9554W	Ring, Lock	1
3	1314728W	PTO Pilot	1	12	46388W	O-Ring	2
4	398817W	Screw, Flange	3	13	1314732W	Bracket, Mounting	1
5	2300212W	Coupling	1				
6	1314738W	Spacer	2				
7	18614W	Capscrew	2				
8	15180W	Washer	4				
				*a	Use 318702W Thread Lock		
				*b	850G/H (R11) Only		

Mounting Parts - PFO & PFR

First Used on AW3C-2357

Case 450-550G/H (R11), 850G/H (R11), 650-850G/H (R13)

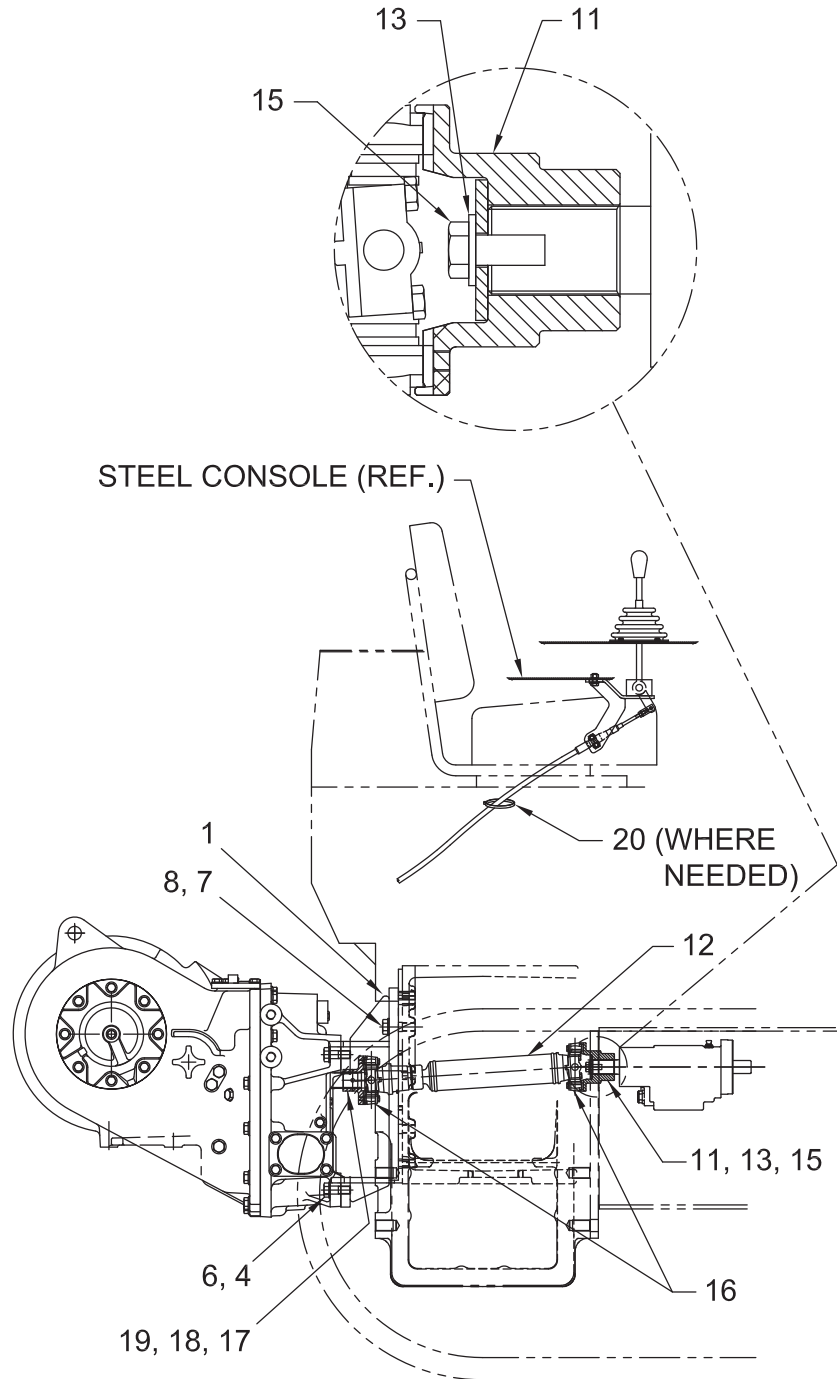


Item	Part No.	Description	Qty	Item	Part No.	Description	Qty
1	*a 168054W	Capscrew	8	13	1314732W	Bracket, Mounting	1
2	*b 918906W	Screw, Flange	1	14	*c 2303714W	Spacer	1
3	1314728W	PTO Pilot	1	15	*a 168054W	Capscrew	8
4	398817W	Screw, Flange	3	15	*a, *c 293716W	Capscrew	8
5	2300212W	Coupling	1	16	221777W	Washer	18
6	1314738W	Spacer	2	17	*a 168054W	Capscrew	2
7	18614W	Capscrew	2	17	*a, *c 293706W	Capscrew	2
8	15180W	Washer	4				
9	221357W	Locknut	2				
10	19928W	Pin, Roll	1				
11	9554W	Ring, Lock	1				
12	46388W	O-Ring	2				

*a Use 318702W Thread Lock
 *b 650-850G/H (R13) Only
 *c Used on H series tractors only

Mounting Parts - PFO

High PTO Input
Case 650K, 750K & 850K (R14)
Page 1 of 2



Mounting Parts - PFO

High PTO Input

Case 650K, 750K & 850K (R14)

Page 2 of 2

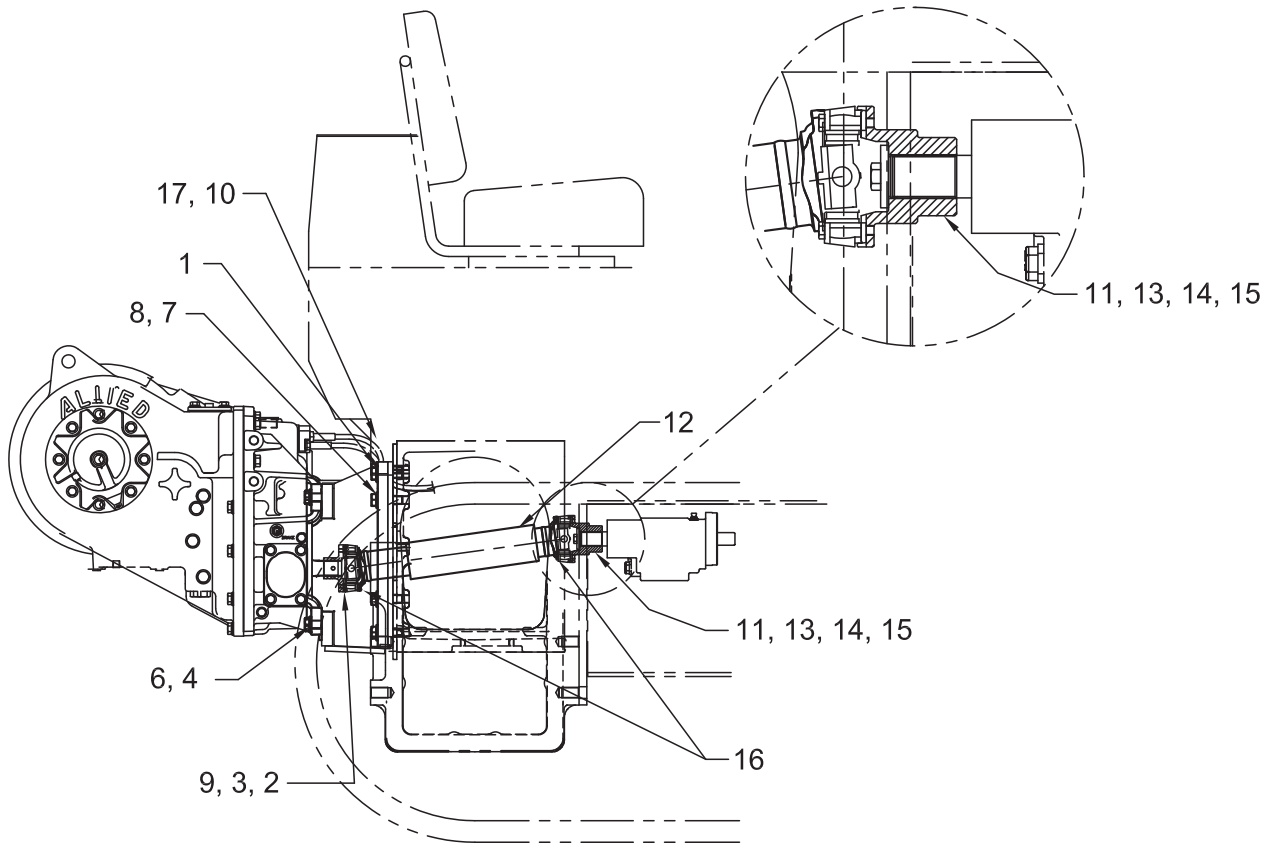
Item	Part No.	Description	Qty	Item	Part No.	Description	Qty
1	2304960W	Bracket, Mounting	1	13	296422W	Washer	1
4	*a 168054W	Capscrew	8	15	293645W	Capcrew	1
6	221777W	Washer	8	16	221466W	Capscrew	8
7	*a 293710W	Capscrew	10	17	2302686W	Flange	1
8	296430W	Washer	10	18	19928W	Pin	1
11	2312720	Yoke	1	19	9554W	Ring, Lock	1
12	*b 2305030W	Assembly, Drive Shaft	1	20	129563W	Clamp, Strap	AR
	2310091	. Shaft, Drive - Damped 4C	1				
	2303124W	. Assembly, Spider & Bearing	2		*a Use 318702W Thread Lock		
12	*c 2304953W	Assembly, Drive Shaft	1		*b Last used on AW3C-2769		
	2300041W	. Assembly, Spider & Bearing	2		*c First used on AW3C-2770		

Mounting Parts - PFO

Low PTO Input

Case 650K, 750K & 850K (R15)

Used on S/N AW3C-2970 thru AW3C-2984



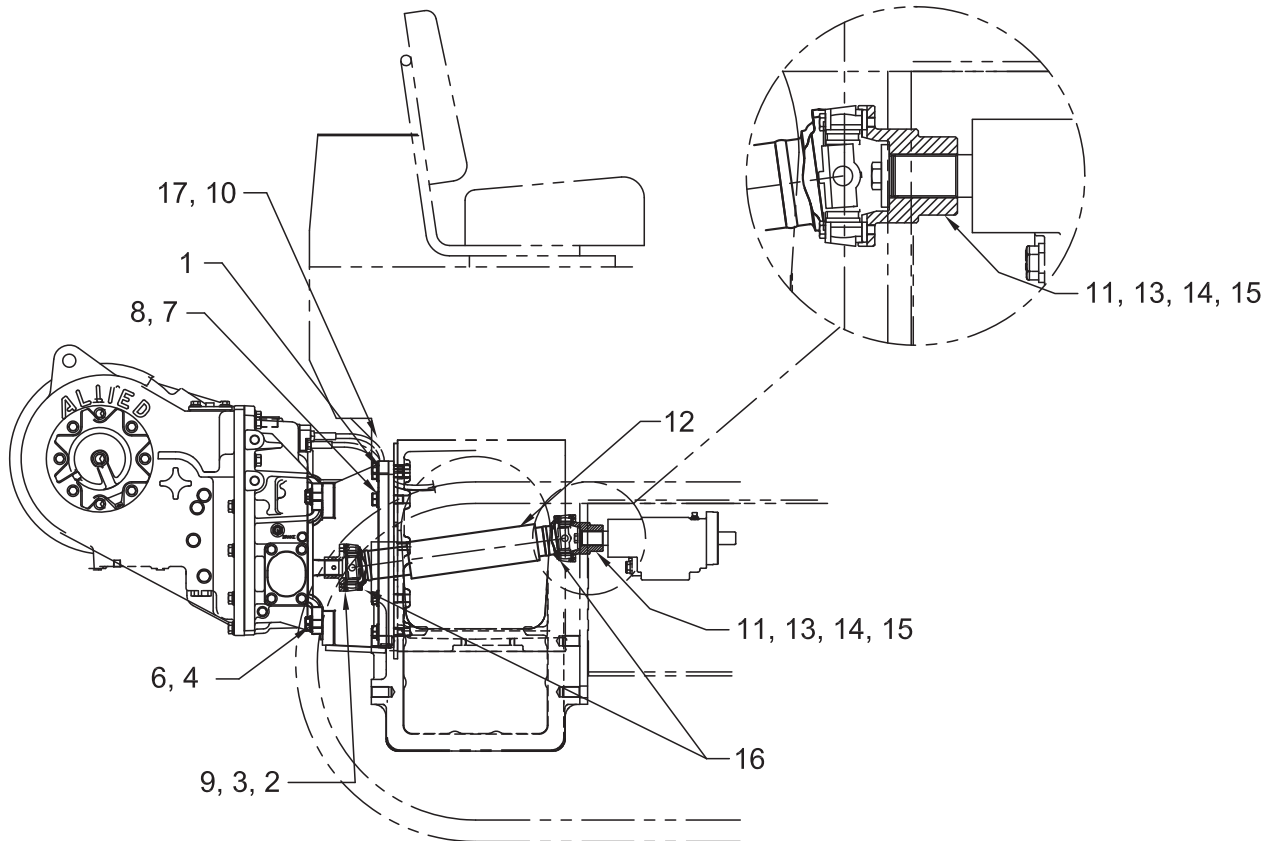
Item	Part No.	Description	Qty	Item	Part No.	Description	Qty
1	2306817W	Bracket, Mounting	1	11	2305025W	Yoke	1
	*b 2310299	Bracket, Mounting	1	12	2306809W	Assembly, Drive Shaft	1
2	2302686W	Flange	1		2310139	. Shaft, Drive	1
3	19928W	Pin	1		2303124W	. Assembly, Spider & Bearing	2
4	*a 168054W	Capscrew	8	13	2303737W	Washer	1
	*a, *b Y17C-1232	Capscrew	8	14	58916W	Ring, Snap	1
6	221777W	Washer	8	15	293645W	Capcrew	1
7	*a 293710W	Capscrew	10	16	221466W	Capscrew	8
	*a, *b 293712W	Capscrew	10	17	2303039W	Guard, Cable	2
8	296430W	Washer	10				
9	9554W	Ring, Lock	1				
10	129563W	Clamp, Strap	1				
				*a	Use 318702W Thread Lock		
				*b	First Used on AW3C-2971		

Mounting Parts - PFO

Low PTO Input

Case 650K, 750K & 850K (R15)

Used on S/N AW3C-2985 thru AW3C-3053



Item	Part No.	Description	Qty	Item	Part No.	Description	Qty
1	2310199	Bracket, Mounting	1	12	2306809W	Assembly, Drive Shaft	1
2	2302686W	Flange	1		2310139	. Shaft, Drive	1
3	19928W	Pin	1		2303124W	. Assembly, Spider & Bearing	2
4	*a Y17C-1232	Cap screw	8	13	2303737W	Washer	1
6	221777W	Washer	8	14	58916W	Ring, Snap	1
7	*a 293710W	Cap screw	10	15	293645W	Capcrew	1
8	296430W	Washer	10	16	221466W	Cap screw	8
9	9554W	Ring, Lock	1	17	2303039W	Guard, Cable	2
10	129563W	Clamp, Strap	1				
11	2305025W	Yoke	1		*a	Use 318702W Thread Lock	

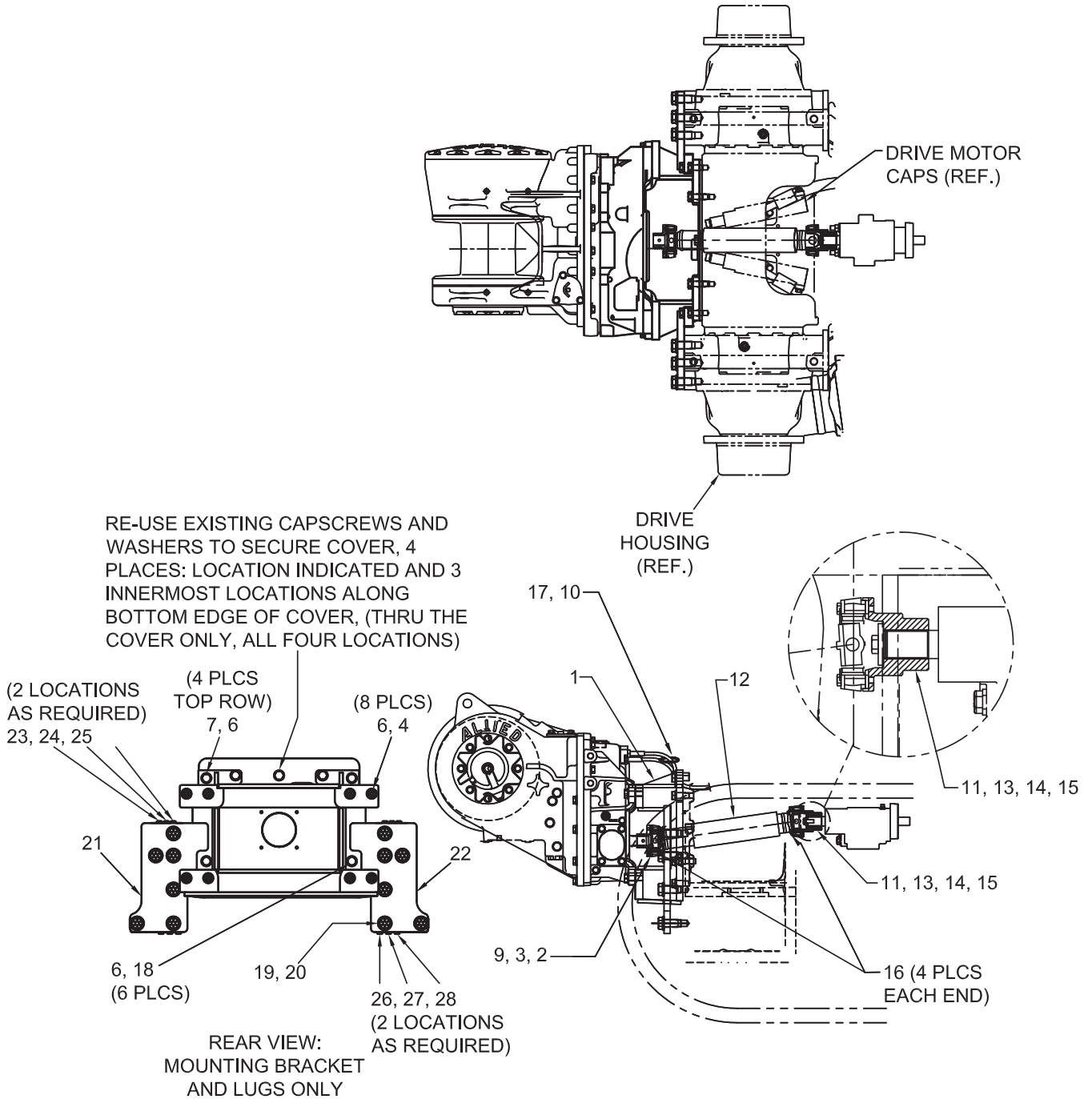
Mounting Parts - PFO

Low PTO Input

Case 650K, 750K & 850K (R15)

First Used on S/N AW3C-3054 thru AW3C-3070

Page 1 of 2



Mounting Parts - PFO

Low PTO Input

Case 650K, 750K & 850K (R15)

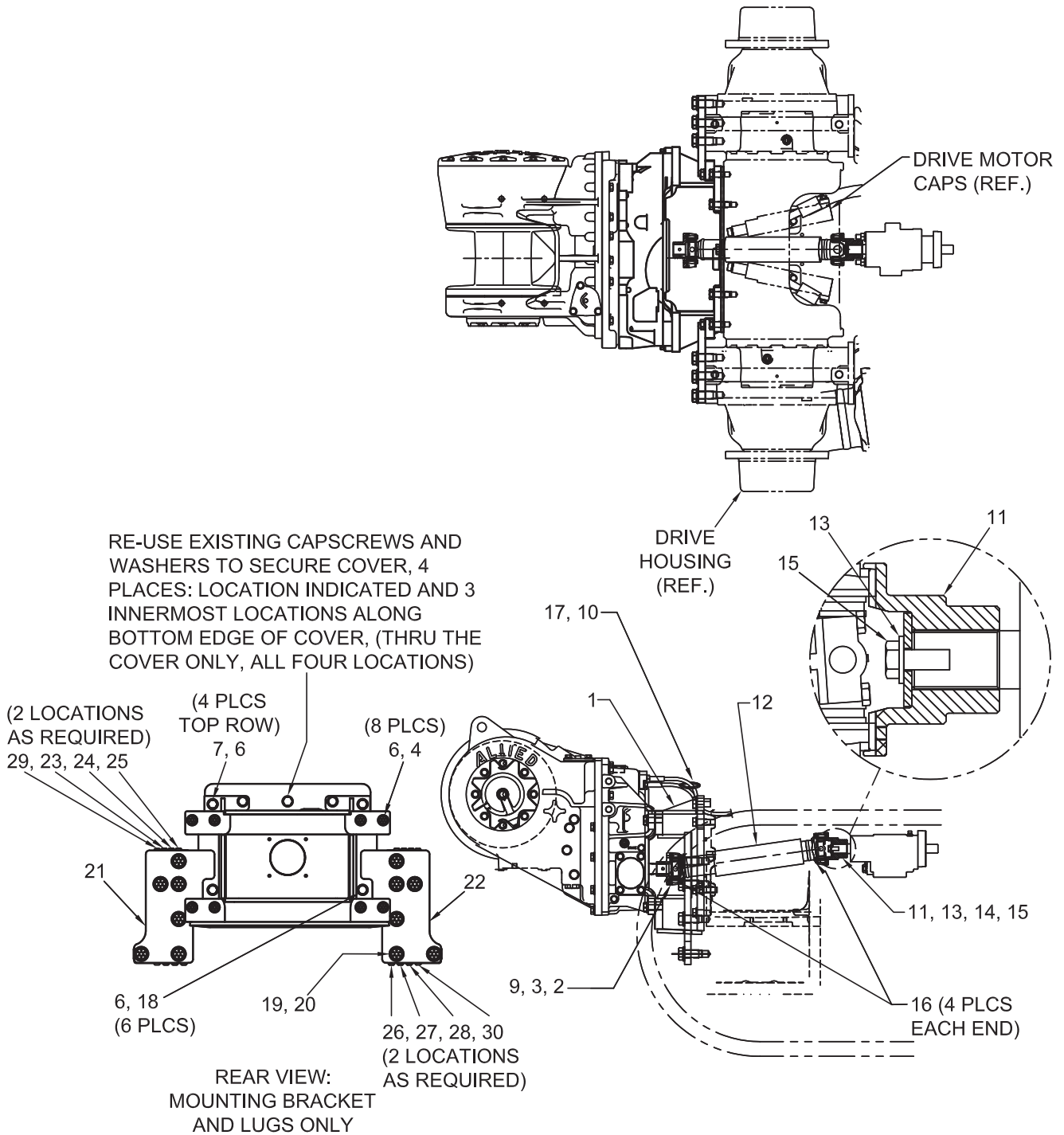
First Used on S/N AW3C-3054 thru AW3C-3070

Page 2 of 2

Item	Part No.	Description	Qty	Item	Part No.	Description	Qty
1	2310199	Bracket, Mounting	1	16	221466W	Capscrew	8
2	2302686W	Flange	1	17	2303039W	Guard, Cable	2
3	19928W	Pin	1	18	293714W	Capscrew	6
4	*a Y17C-1232	Capscrew	8	19	221780W	Washer	12
6	221777W	Washer	18	20	221690W	Capscrew	12
7	*a 293710W	Capscrew	4	21	2310485	Bracket, Mounting - Left	1
9	9554W	Ring, Lock	1	22	2310486	Bracket, Mounting - Right	1
10	129563W	Clamp, Strap	1	23	2310848	Shim .005, Upper	4
11	2305025W	Yoke	1	24	2310849	Shim .007, Upper	4
12	2306809W	Assembly, Drive Shaft	1	25	2310850	Shim .020, Upper	4
	2310139	. Shaft, Drive	1	26	2310851	Shim .005, Lower	4
	2303124W	. Assembly, Spider & Bearing	2	27	2310852	Shim .007, Lower	4
13	2303737W	Washer	1	28	2310853	Shim .020, Lower	4
14	58916W	Ring, Snap	1				
15	293645W	Capcrew	1		*a Use 318702W Thread Lock		

Mounting Parts - PFO

Low PTO Input
 Case 750L & 850L (R15)
 Case 650K, 750K & 850K (R15)
 First Used on S/N AW3C-3071
 Page 1 of 2



Mounting Parts - PFO

Low PTO Input

Case 750L & 850L (R15)

Case 650K, 750K & 850K (R15)

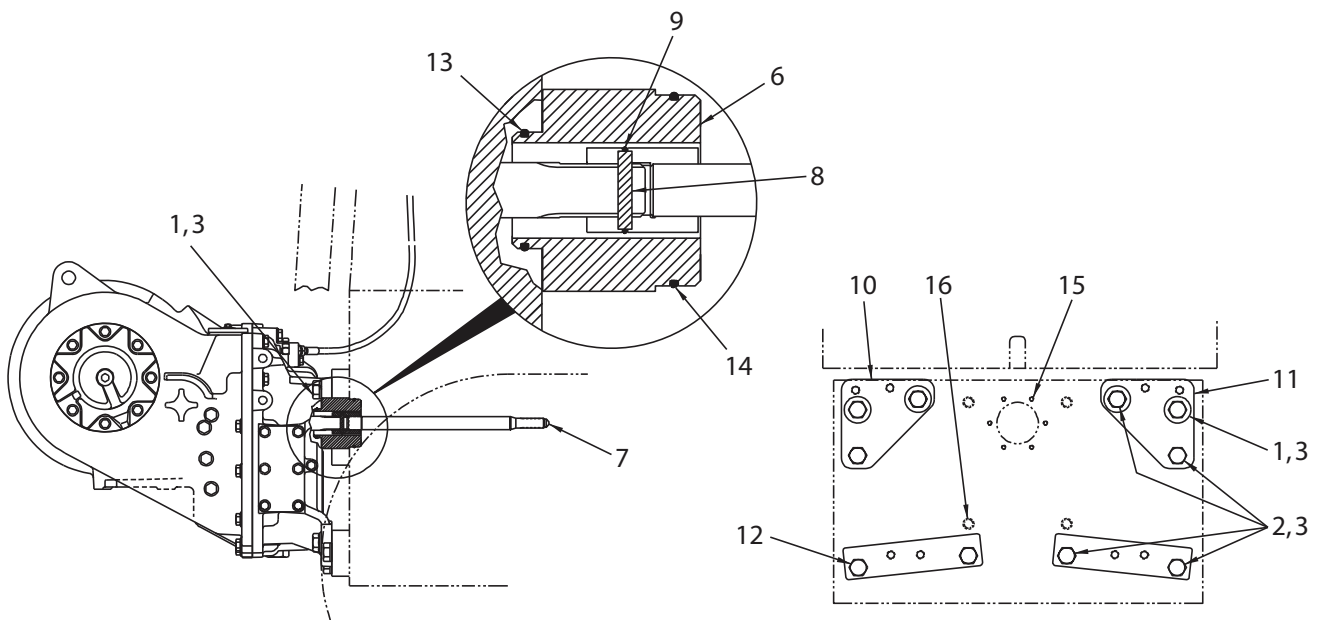
First Used on S/N AW3C-3071

Page 2 of 2

Item	Part No.	Description	Qty	Item	Part No.	Description	Qty
1	2310199	Bracket, Mounting	1	18	*a 293714W	Capscrew	6
2	2312616	Flange	1	19	221780W	Washer	12
3	19928W	Pin	1	20	*a 221690W	Capscrew	12
4	*a Y17C-1232	Capscrew	8	21	2310485	Bracket, Mounting - Left	1
6	221777W	Washer	18	22	2310486	Bracket, Mounting - Right	1
7	*a 293710W	Capscrew	4	23	2310848	Shim .005, Upper	4
9	9554W	Ring, Lock	1	24	2310849	Shim .007, Upper	4
10	129563W	Clamp, Strap	1	25	2310850	Shim .020, Upper	4
11	2312720	Yoke	1	26	2310851	Shim .005, Lower	4
12	2306809W	Assembly, Drive Shaft	1	27	2310852	Shim .007, Lower	4
	2310139	. Shaft, Drive	1	28	2310853	Shim .020, Lower	4
	2303124W	. Assembly, Spider & Bearing	2	29	2313164	Shim .060, Upper	8
13	296422W	Washer	1	30	2313165	Shim .060, Lower	8
15	293645W	Capscrew	1				
16	221466W	Capscrew	8		*a Use 318702W Thread Lock		
17	2303039W	Guard, Cable	2				

Mounting Parts - PFO

Last Used on S/N AW3C-1843
Caterpillar D3/4/5B & C PS (C14)



Item	Part No.	Description	Qty	Item	Part No.	Description	Qty	
1	*a	221686W	Capscrew	6	10	1314677W	Pad, Mounting - LH	1
2	*a	221694W	Capscrew	8	11	1314678W	Pad, Mounting - RH	1
3		221780W	Washer	14	12	1314679W	Pad, Mounting	2
4	*a	168054W	Capscrew	4	13	46388W	O-Ring	1
5		221777W	Washer	4	14	15887W	O-Ring	1
6		1314698W	Pilot, PTO	1	15	18003W	Plug	6
7		2301851W	Shaft, PTO	1	16	18005W	Plug	2
8		19928W	Pin	1				
9		9554W	Ring, Lock	1				
					*a	Use 318702W Thread Lock		

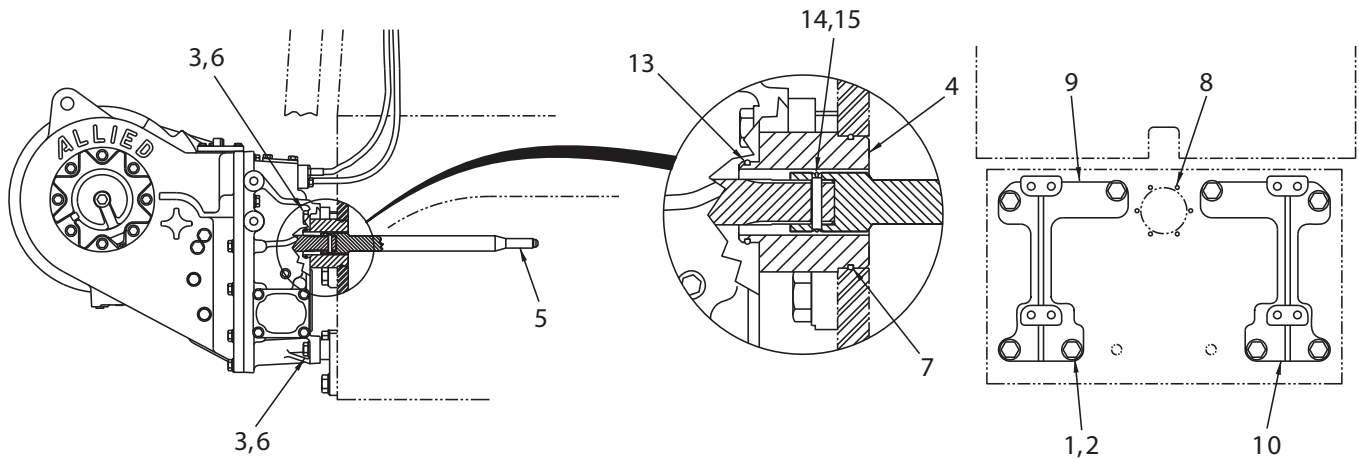
Mounting Parts - PFR

First Used on S/N AW3C-1000

PFO

First Used on S/N AW3C-1844

Caterpillar D3/4/5B & C DD & PS (C14)

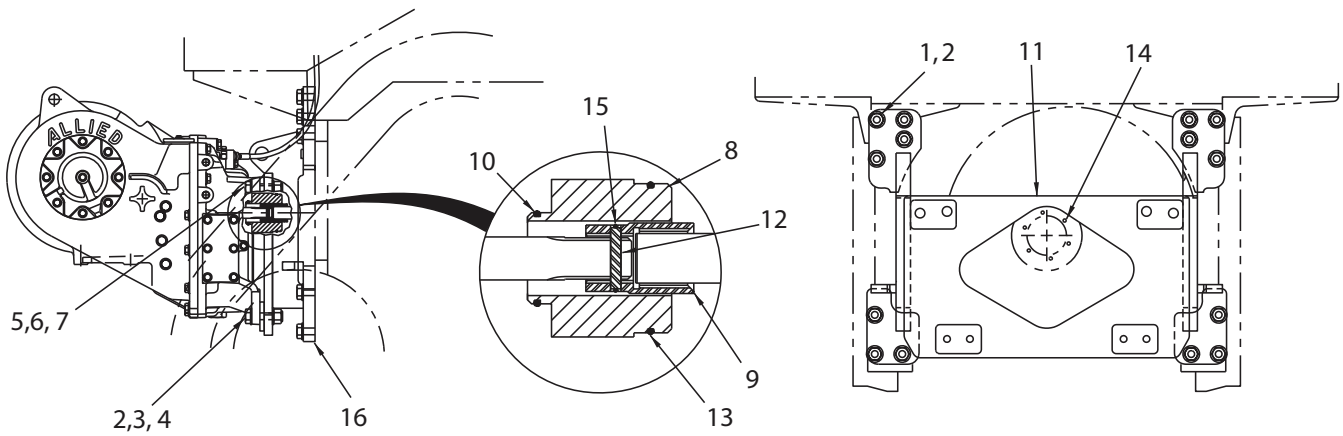


Item	Part No.	Description	Qty	Item	Part No.	Description	Qty
1	*a 221686W	Capscrew	8	9	2303007W	Pad, Mounting - Top LH	1
2	221780W	Washer	8	10	2303006W	Pad, Mounting - Top RH	1
3	*a 168054W	Capscrew	8	13	46388W	O-Ring	1
4	1314698W	Pilot, PTO	1	14	19928W	Pin	1
5	2301851W	Shaft, PTO	1	15	9554W	Ring, Lock	1
6	221777W	Washer	8				
7	15887W	O-Ring	1		*a	Use 318702W Thread Lock	
8	18003W	Plug	6				

Mounting Parts - PFO

Last Used on S/N AW3C-1843

Caterpillar D4H DD (C361), D4H PS - Series I, II, (C360) III (C362) and D5M (C30)



Item	Part No.	Description	Qty	Item	Part No.	Description	Qty
1	*a 221659W	Cap screw	14	11	2301024W	Bracket, Mounting	1
	*a, *b 221666W	Cap screw	14	11	*d 2300244W	Bracket, Mounting	1
	*a, *c 293714W	Cap screw	14	12	19928W	Pin	1
2	221777W	Washer	22	13	15887W	O-Ring	1
3	*a 221666W	Cap screw	4	14	18003W	Plug	6
4	221716W	Nut	4	15	9554W	Ring, Lock	1
5	*a 221700W	Cap screw	4	16	*b, *c 374820W	Spacer, Mounting Pad	4
6	221780W	Washer	8				
7	221720W	Nut	4		*a	Use 318702W Thread Lock	
8	2300242W	Pilot, PTO	1		*b	Series III Only	
9	2300241W	Coupling, PTO	1		*c	D5M Only	
10	46388W	O-Ring	1		*d	D4H-DD Only	

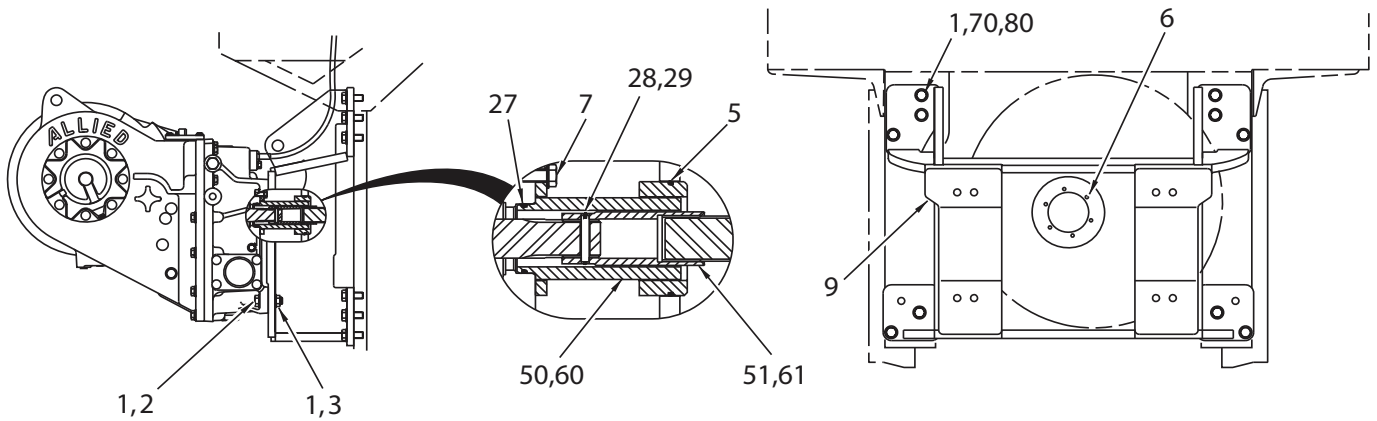
Mounting Parts - PFR

First Used on S/N AW3C-1000

PFO

First Used on S/N AW3C-1844

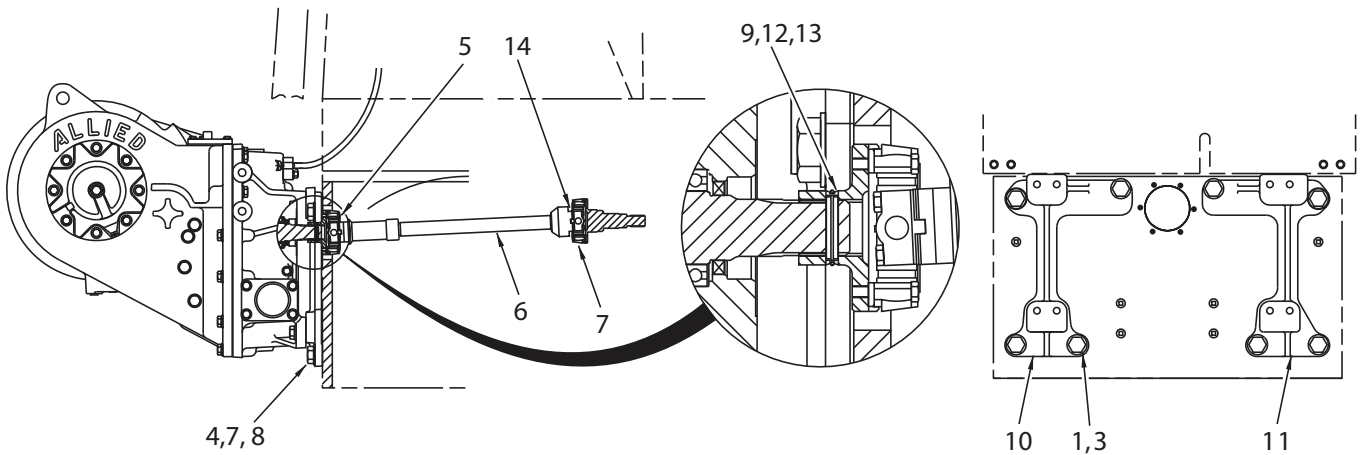
Caterpillar D4H DD (C361), D4H PS - Series I, II (C360), III, XL, LGP (C362) and D5M (C30)



Item	Part No.	Description	Qty	Item	Part No.	Description	Qty
1	221777W	Washer	26	51	*d 2302295W	Coupling	1
2	*f 221659W	Capscrew	8	60	*b, *c 2302291W	Pilot	1
3	221716W	Nut	8	61	*b, *c 2302294W	Coupling	1
5	15887W	O-Ring	1	70	*e, *f 168054W	Capscrew	10
6	18003W	Plug	6	80	*c, *f 293706W	Capscrew	10
7	398817W	Screw	3				
9	2301490W	Bracket, Mounting	1		*a	D4H PS Series I & II Only	
27	46388W	O-Ring	1		*b	D4H PS Series III, XL & LGP Only	
28	19928W	Pin	1		*c	Used on D5M Only	
29	9554W	Ring, Lock	1		*d	Used on D4H DD Only	
50	*a 2302290W	Pilot	1		*e	All D4H (PS) Only	
50	*d 2302292W	Pilot	1		*f	Use 318702W Thread Lock	
51	*a 2302293W	Coupling	1				

Mounting Parts - PFO & PFR

Last Used on S/N AW3C-2388
Caterpillar D3/4/5C Hystat (C16)

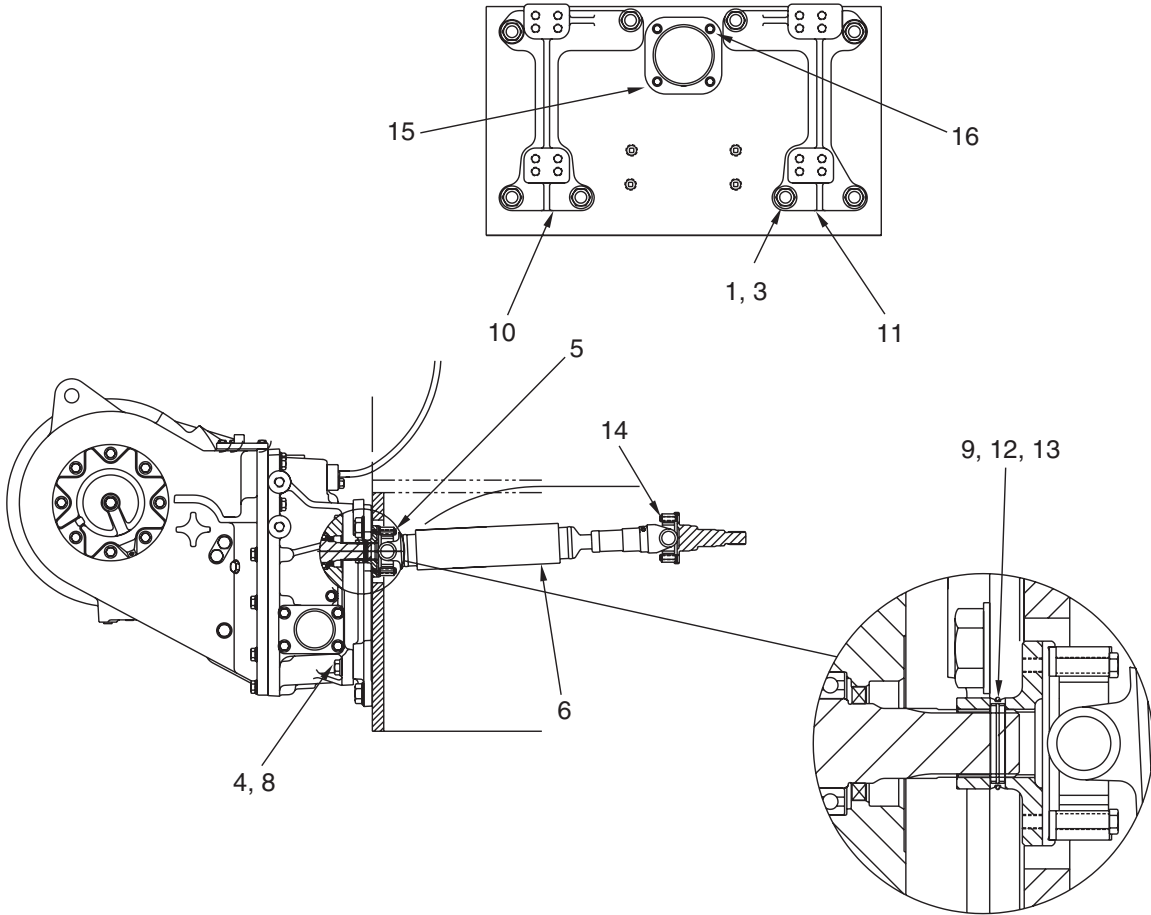


Item	Part No.	Description	Qty	Item	Part No.	Description	Qty
1	*a 221686W	Capscrew	8	10	2303007W	Pad, Mounting - LH	1
3	221777W	Washer	8	11	2303006W	Pad, Mounting - RH	1
4	*a 168054W	Capscrew	8	12	19928W	Pin	1
5	221466W	Capscrew	8	13	9554W	Ring, Lock	1
6	2302735W	Shaft, Drive	1	14	293617W	Capscrew	4
7	2300041W	. Assembly, Spider & Bearing	2				
8	221777W	Washer	8				
9	2302686W	Flange	1				

*a Use 318702W Thread Lock

Mounting Parts - PFO & PFR

First Used on S/N AW3C-2389
Caterpillar D3/4/5C Hystat (C16)

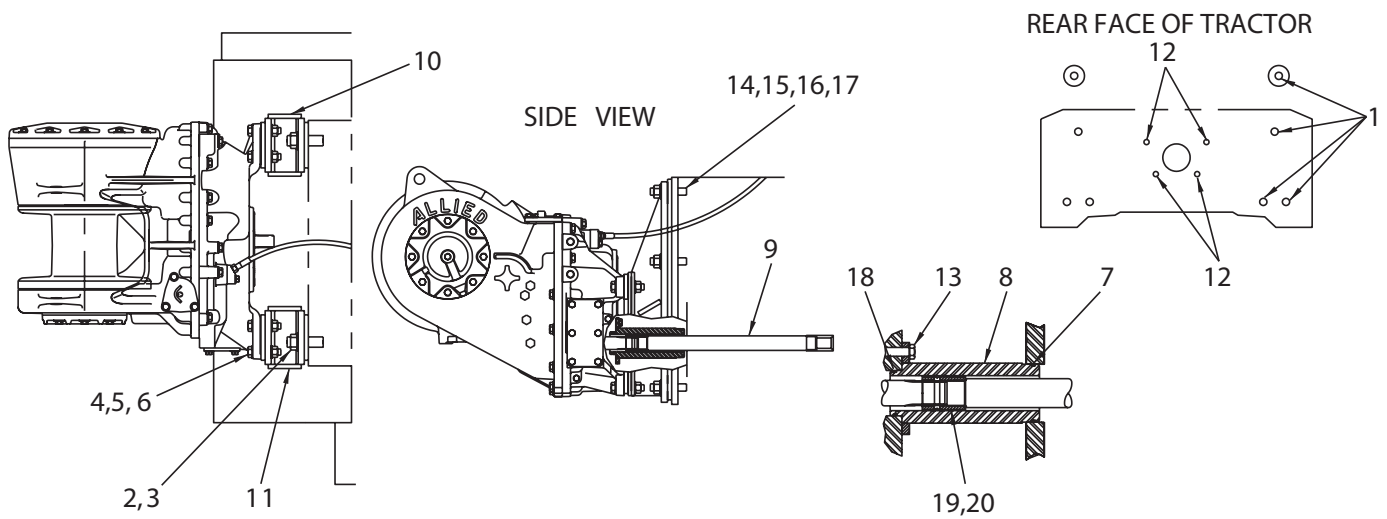


Item	Part No.	Description	Qty	Item	Part No.	Description	Qty
1	*a 221686W	Capscrew	8	12	19928W	Pin	1
3	2217780	Washer	8	13	9554W	Ring, Lock	1
4	*a 168054W	Capscrew	8	14	293617W	Capscrew	4
5	221466W	Capscrew	8	15	2303722W	Guard, PTO	1
6	*b 2303141W	Assembly, Drive Shaft	1	16	2303609W	Flangescrew	6
	*c 2303856W	Assembly, Drive Shaft	1				
	2310089	. Shaft, Drive - Damped 4C	1				
	*d 2303124W	. Assembly, Spider & Bearing	2				
8	221777W	Washer	8				
9	2302686W	Flange	1				
10	2303007W	Pad, Mounting - LH	1				
11	2303006W	Pad, Mounting - RH	1				

*a Use 318702W Thread Lock
*b Last Used on S/N AW3C-2809
*c First Used on S/N AW3C-2810
*d 2303124W is an acceptable substitute for 2303936W.

Mounting Parts - PFO & PFR

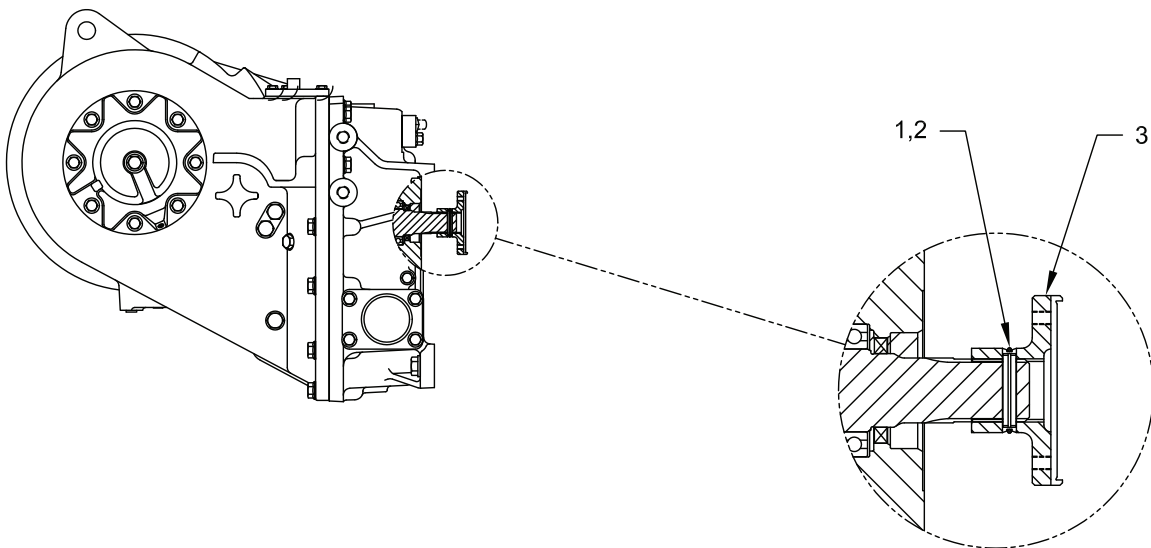
Caterpillar D4E (C34)



Item	Part No.	Description	Qty	Item	Part No.	Description	Qty
1	*a 230774W	Stud	8	12	18000W	Plug	4
2	221719W	Nut	8	13	398817W	Screw	3
3	221779W	Washer	8	14	237979W	Spacer	2
4	221664W	Capscrew	8	15	250833W	Shim .005"	AR
5	221716W	Nut	8	16	250834W	Shim .020"	AR
6	221777W	Washer	16	17	250835W	Shim .062"	AR
7	55468W	O-Ring	1	18	46388W	O-Ring	1
8	2300816W	Pilot, PTO	1	19	19928W	Pin	1
9	2300813W	Shaft, PTO	1	20	9554W	Ring, Lock	1
10	2300805W	Bracket, Mounting - LH	1				
11	2300806W	Bracket, Mounting - RH	1				
				*a	Use 230064W Loctite Kit		

Mounting Parts - PFO

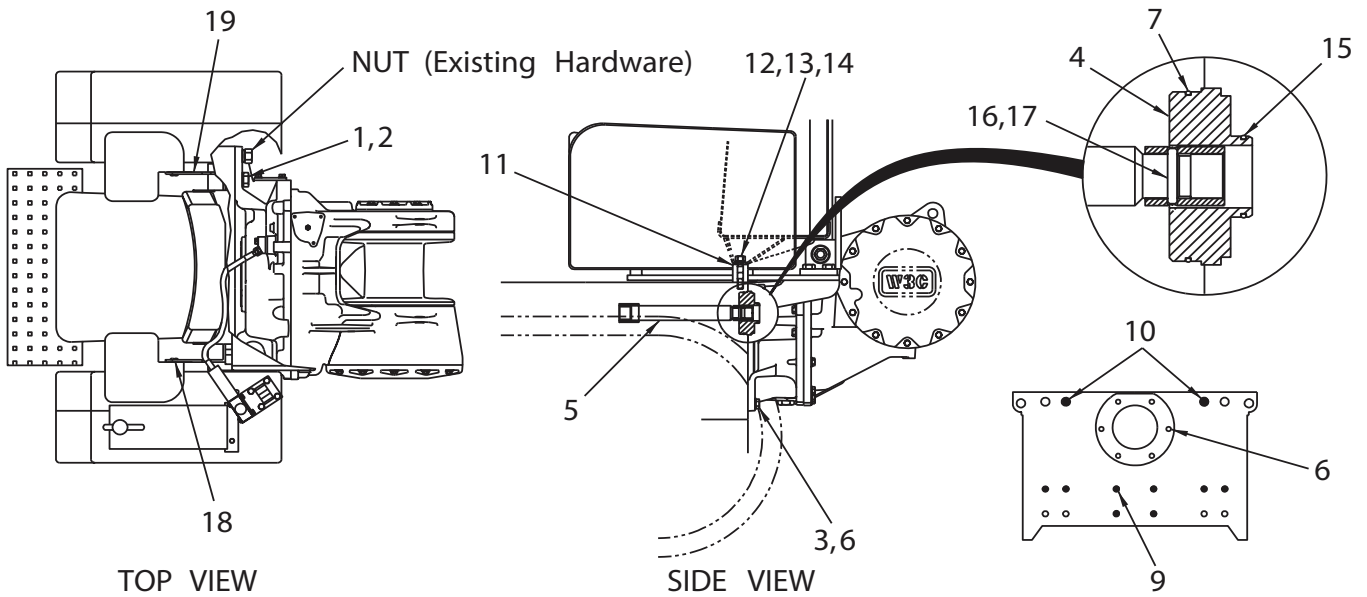
Daewoo DD80/80L (W11)



Item	Part No.	Description	Qty	Item	Part No.	Description	Qty
1	19928W	Pin	1	NOTE: Other parts used in installation are not illustrated in this manual because they are supplied by Daewoo.			
2	9554W	Ring, Lock	1				
3	2302686W	Flange	1				

Mounting Parts - PFO

Last Used on S/N AW3C-1843
 Dresser/Dressta TD7/8G & TD100/125E (H12)



Item	Part No.	Description	Qty	Item	Part No.	Description	Qty
1	*a 1314687W	Capscrew	2	12	*b 360390W	Stud	2
2	15137W	Washer	2	13	15162W	Lockwasher	2
3	*a 168054W	Capscrew	4	14	15062W	Nut	2
4	1314690W	Pilot, PTO	1	15	46388W	O-Ring	1
5	2300224W	Shaft, PTO	1	16	19924W	Pin	1
6	221777W	Washer	4	17	9554W	Ring, Lock	1
7	15893W	O-Ring	1	18	1308494W	Bracket, Seat - RH	1
8	18002W	Plug	6	19	1308493W	Bracket, Seat - LH	1
9	87242W	Plug	8				
10	18455W	Plug	2		*a	Use 318702W Thread Lock	
11	1308492W	Spacer	2		*b	Use 230064W Loctite Kit	

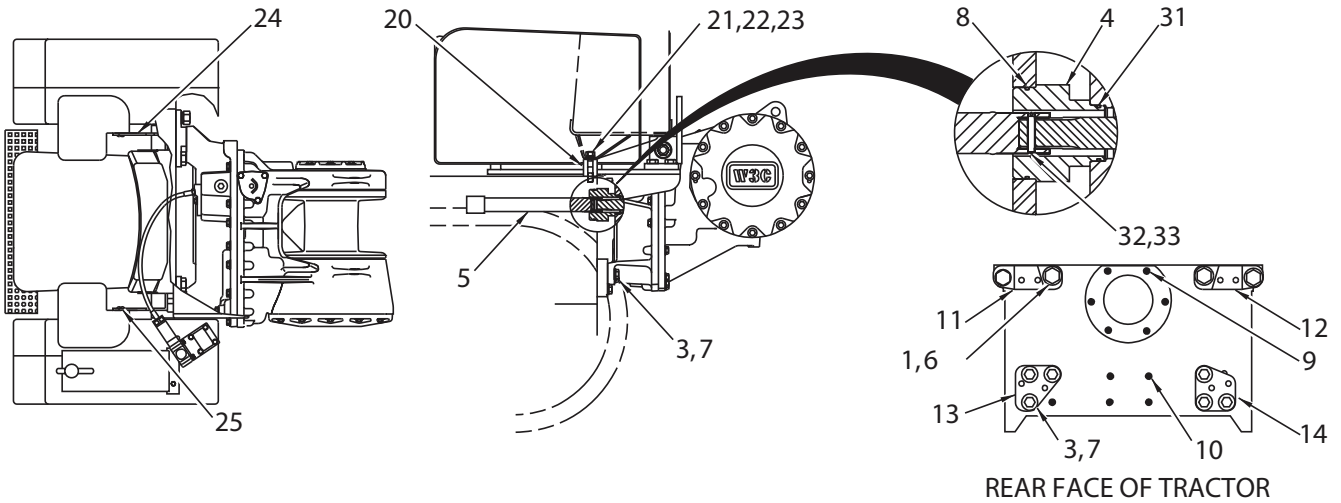
Mounting Parts - PFR

First Used on S/N AW3C-1000

PFO

First Used on S/N AW3C-1844

Dresser/Dressta TD7/8G & TD100/125E (H12)



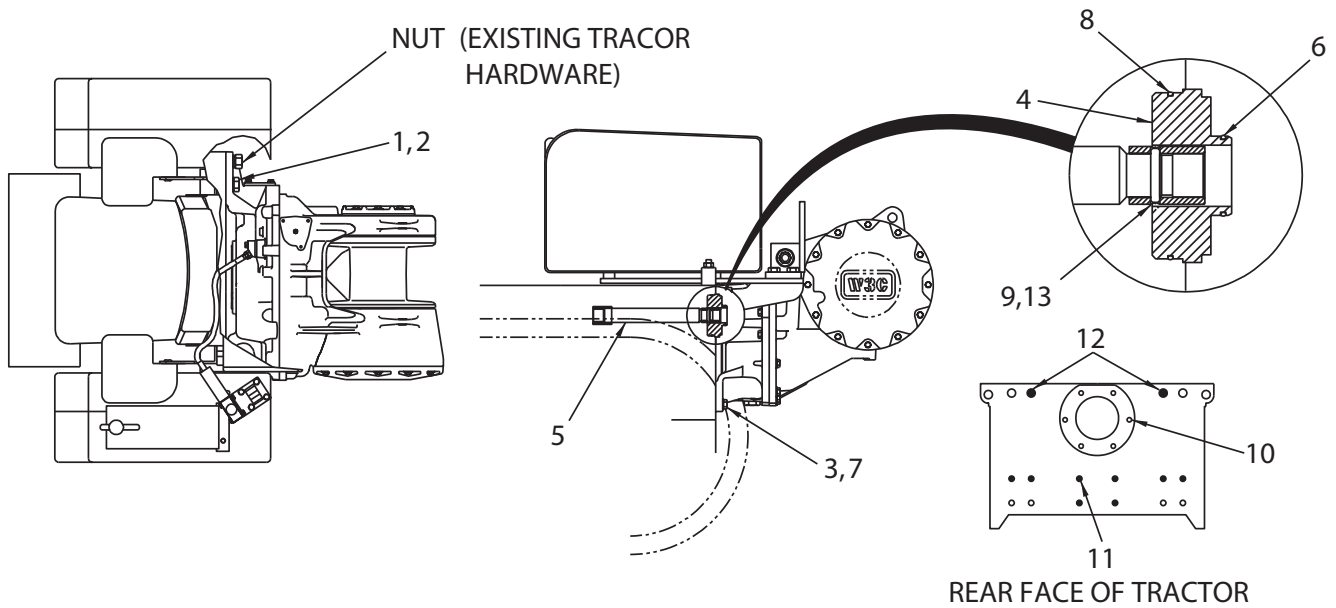
Item	Part No.	Description	Qty	Item	Part No.	Description	Qty
1	*a 1314687W	Capscrew	2	20	1308492W	Spacer	2
3	*a 168054W	Capscrew	14	21	*b 360390W	Stud	2
4	2301121W	Pilot, PTO	1	22	15162W	Lockwasher	2
5	2301122W	Shaft, PTO	1	23	15062W	Nut	2
7	221777W	Washer	14	24	1308494W	Bracket, Seat - RH	1
8	15893W	O-Ring	1	25	1308493W	Bracket, Seat - LH	1
9	18002W	Plug	6	31	46388W	O-Ring	1
10	87242W	Plug	6	32	19928W	Pin	1
11	2301115W	Block, LH Top	1	33	9554W	Ring, Lock	1
12	2301116W	Block, RH Top	1				
13	2301117W	Block, LH Bottom	1				
14	2301118W	Block, RH Bottom	1				

*a Use 318702W Thread Lock

*b Use 230064W Loctite Kit

Mounting Parts - PFO

Last Used on S/N AW3C-1843
 Dresser/Dressta TD7H & TD8H & TD9H (H13)



Item	Part No.	Description	Qty	Item	Part No.	Description	Qty
1	*a 1314687W	Capscrew	2	9	19928W	Pin	1
2	15137W	Washer	2	10	18002W	Plug	6
3	*a 168054W	Capscrew	4	11	87242W	Plug	8
4	1314690W	Pilot, PTO	1	12	18455W	Plug	2
5	2300224W	Shaft, PTO	1	13	9554W	Ring, Lock	1
6	46388W	O-Ring	1				
7	221777W	Washer	4				
8	15893W	O-Ring	1				

*a Use 318702W Thread Lock

Mounting Parts - PFR

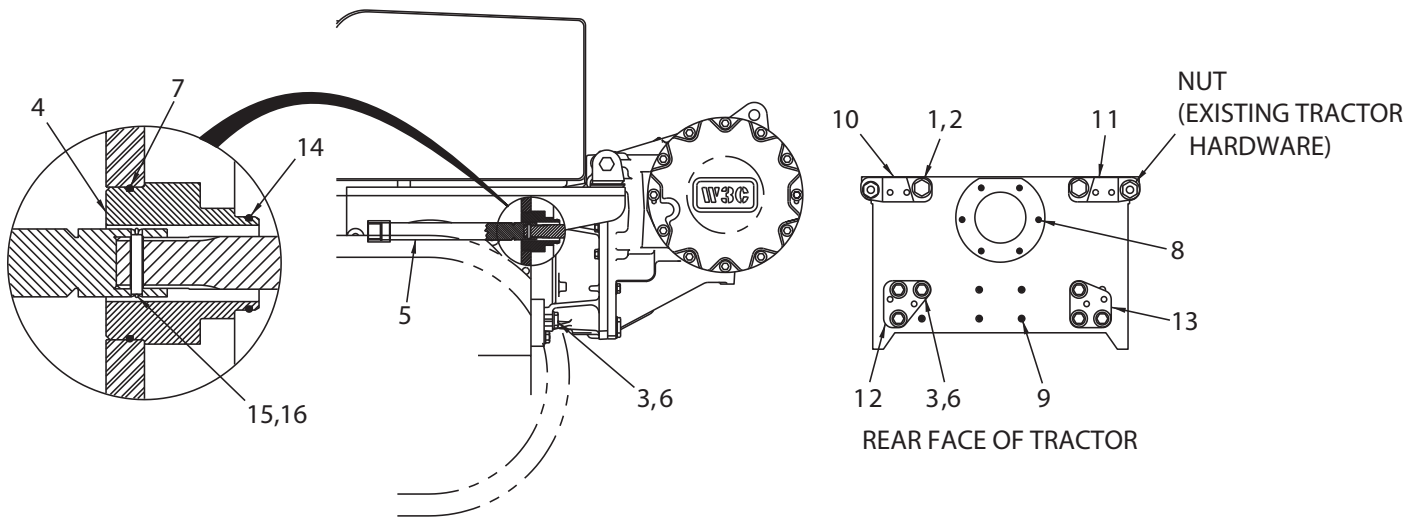
First Used on S/N AW3C-1000

PFO

First Used on S/N W3C-1844

Dresser/Dressta TD7H, TD8H & TD9H (H13)

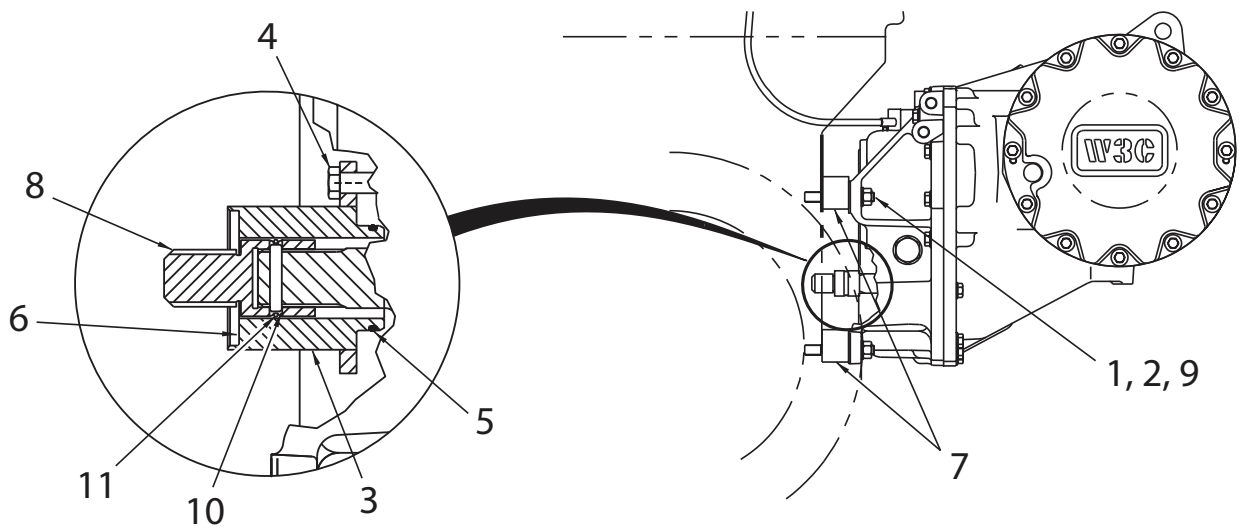
Komatsu D32, D38 & D39 (K13)



Item	Part No.	Description	Qty	Item	Part No.	Description	Qty
1	*a 1314687W	Capscrew	2	11	2301116W	Pad, Mounting - RH Top	1
3	*a 168054W	Capscrew	14	12	2301117W	Pad, Mounting - LH Bottom	1
4	2301121W	Pilot, PTO	1	13	2301118W	Pad, Mounting - RH Bottom	1
5	2301122W	Shaft, PTO	1	14	46388W	O-Ring	1
6	221777W	Washer	14	15	19928W	Pin	1
7	15893W	O-Ring	1	16	9554W	Ring, Lock	1
8	18002W	Plug	6				
9	87242W	Plug	6				
10	2301115W	Pad, Mounting - LH Top	1				
				*a	Use 318702W Thread Lock		

Mounting Parts - PFO

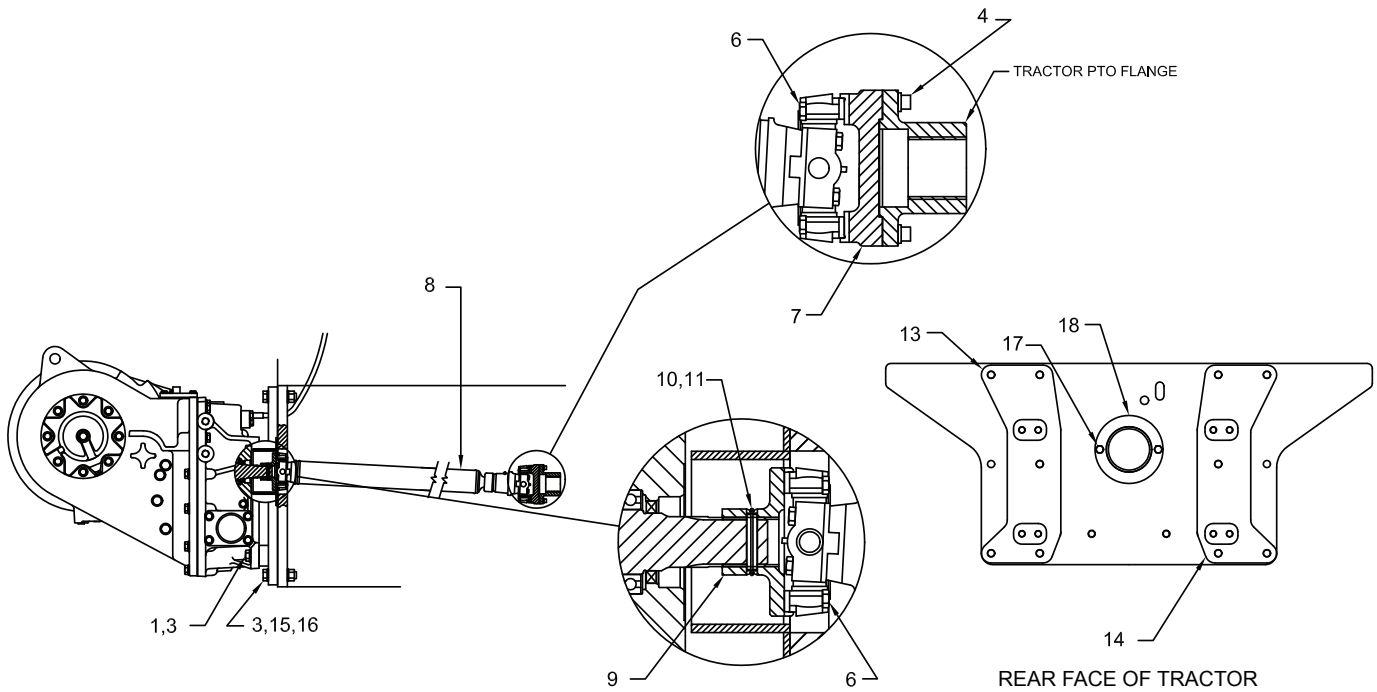
Fiat-Hitachi/New Holland FD/FL 5 & 7 (A11, A12)



Item	Part No.	Description	Qty	Item	Part No.	Description	Qty
1	*a 2300248W	Stud	8	8	*c 2301827W	Coupler, PTO	1
2	221777W	Washer	8	9	221716W	Nut	8
3	2300238W	Pilot, PTO	1	10	19928W	Pin	1
4	398817W	Screw, Flange	3	11	9554W	Ring, Lock	1
5	46388W	O-Ring	1				
6	350830W	Sealant	1		*a	Use 230064W Loctite Kit	
7	2300237W	Pad, Mounting	4		*b	Used with 11 tooth PTO spline (A11 Tractor Code)	
8	*b 2300239W	Coupler, PTO	1		*c	Used with 13 tooth PTO spline (A12 Tractor Code)	

Mounting Parts - PFO & PFR

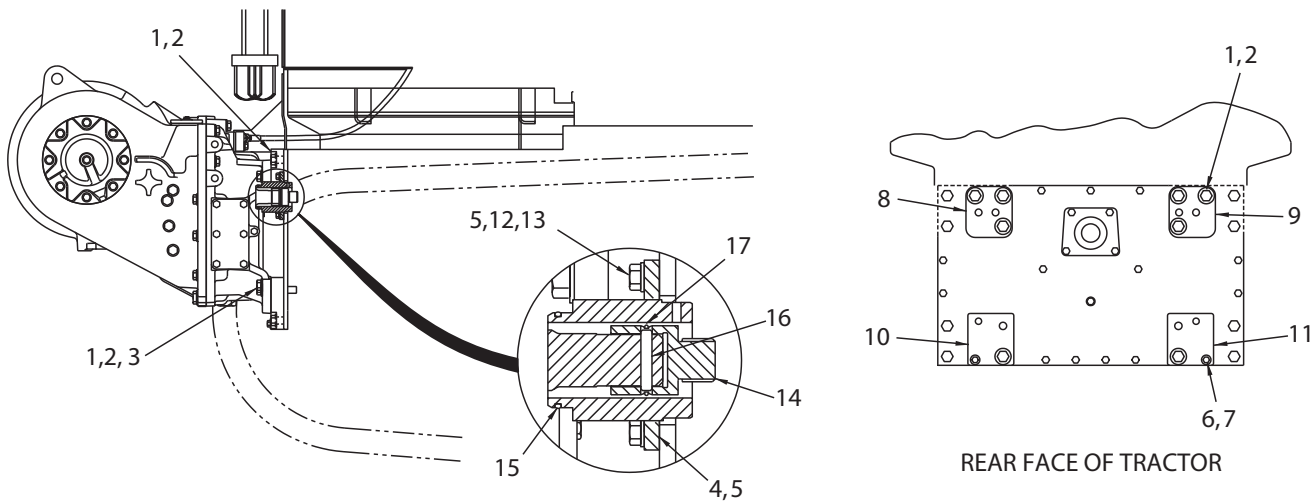
Fiat-Hitachi/New Holland FD80, DC70/80 (A16), DC100 (A15)



Item	Part No.	Description	Qty	Item	Part No.	Description	Qty
1	*a 293708W	Capscrew	8	11	9554W	Ring, Lock	1
3	296430W	Washer	28	13	2303132W	Pad, Mounting - LH	1
4	282884W	Capscrew	6	14	2303133W	Pad, Mounting - RH	1
6	221466W	Capscrew	8	15	292659W	Nut, Hex	10
7	2303062W	Yoke Spacer	1	16	*a 293713W	Capscrew	10
8	*c 2303068W	Driveshaft	1	17	*a 293671W	Capscrew	2
8	*b 2300041W	. Assembly, Cross & Bearing	2	18	2303682W	Guard, PTO	1
8	*b 2303708W	Driveshaft	1				
	2300041W	. Assembly, Cross & Bearing	2				
9	2302686W	Flange	1				
10	19928W	Pin	1				
					*a	Use 318702W Thread Lock	
					*b	Used only on DC100 (A15)	
					*c	Used on all except DC 100 (A15)	

Mounting Parts - PFO & PFR

John Deere 450G, 550G & 650G (E12)

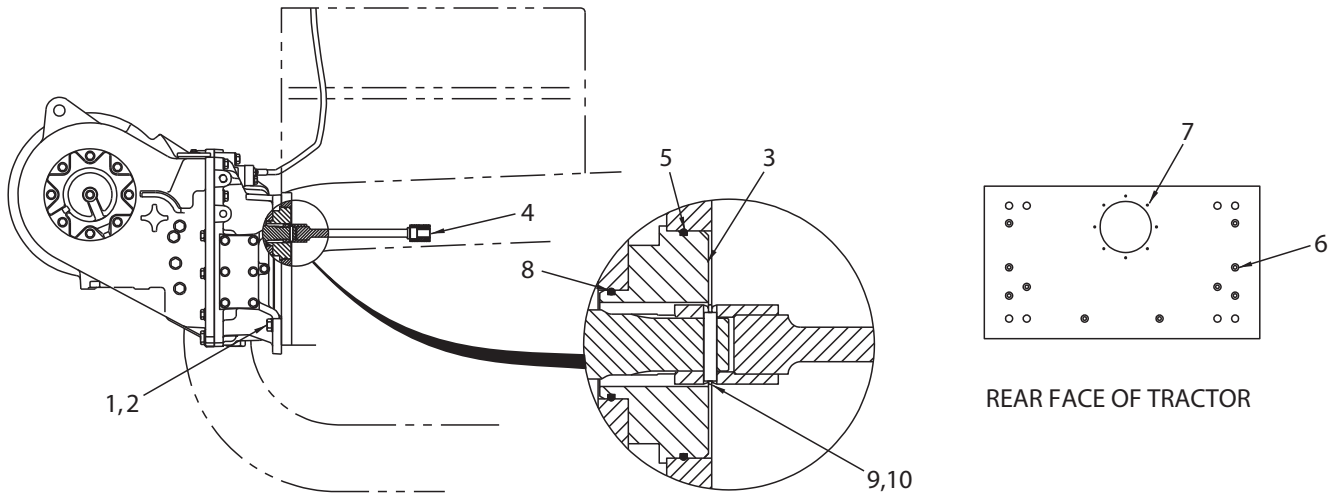


Item	Part No.	Description	Qty	Item	Part No.	Description	Qty
1	*a 293708W	Capscrew	14	11	2300233W	Pad, Mounting - Bottom RH	1
2	296430W	Washer	16	12	132860W	Capscrew	4
3	*a 293714W	Capscrew	2	13	292683W	Lockwasher	4
4	2300236W	Pilot, PTO	1	14	2300234W	Coupling, PTO	1
5	350830W	Sealant	1	15	46388W	O-Ring	1
6	*a 293653W	Capscrew	2	16	19928W	Pin, Roll	1
7	296422W	Washer	2	17	9554W	Ring, Lock	1
8	2301464W	Pad, Mounting - Top LH	1				
9	2301465W	Pad, Mounting - Top RH	1				
10	2300231W	Pad, Mounting - Bottom LH	1				

*a Use 318702W Thread Lock

Mounting Parts - PFO & PFR

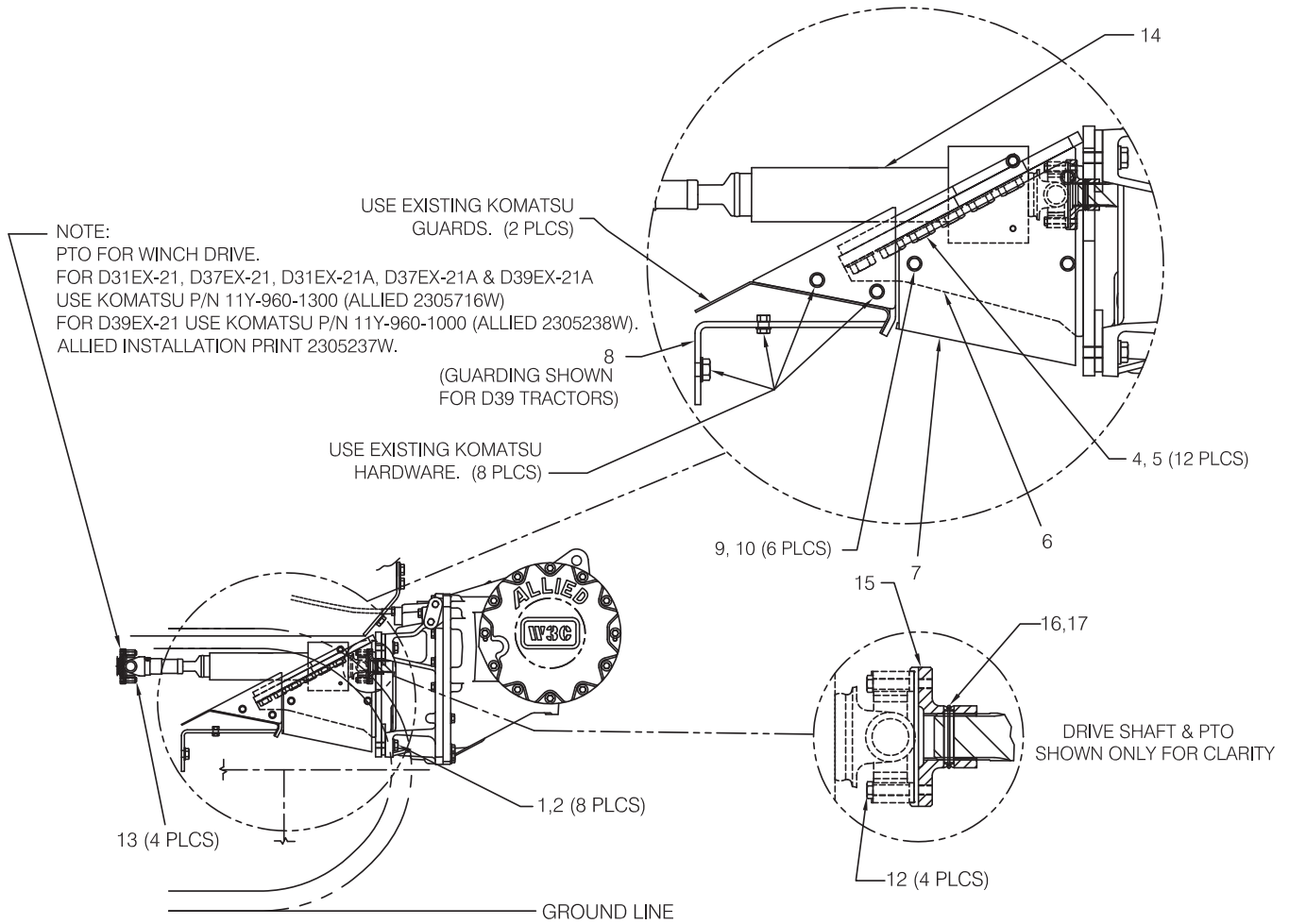
Komatsu D31 & D37 (K11)



Item	Part No.	Description	Qty	Item	Part No.	Description	Qty
1	*a 293708W	Cap screw	8	7	18003W	Plug	8
2	296430W	Washer	8	8	46388W	O-Ring	1
3	1314695W	Pilot, PTO	1	9	19928W	Pin	1
4	2300317W	Shaft, PTO	1	10	9554W	Ring, Lock	1
5	90207W	O-Ring	1				
6	87242W	Plug	10		*a	Use 318702W Thread Lock	

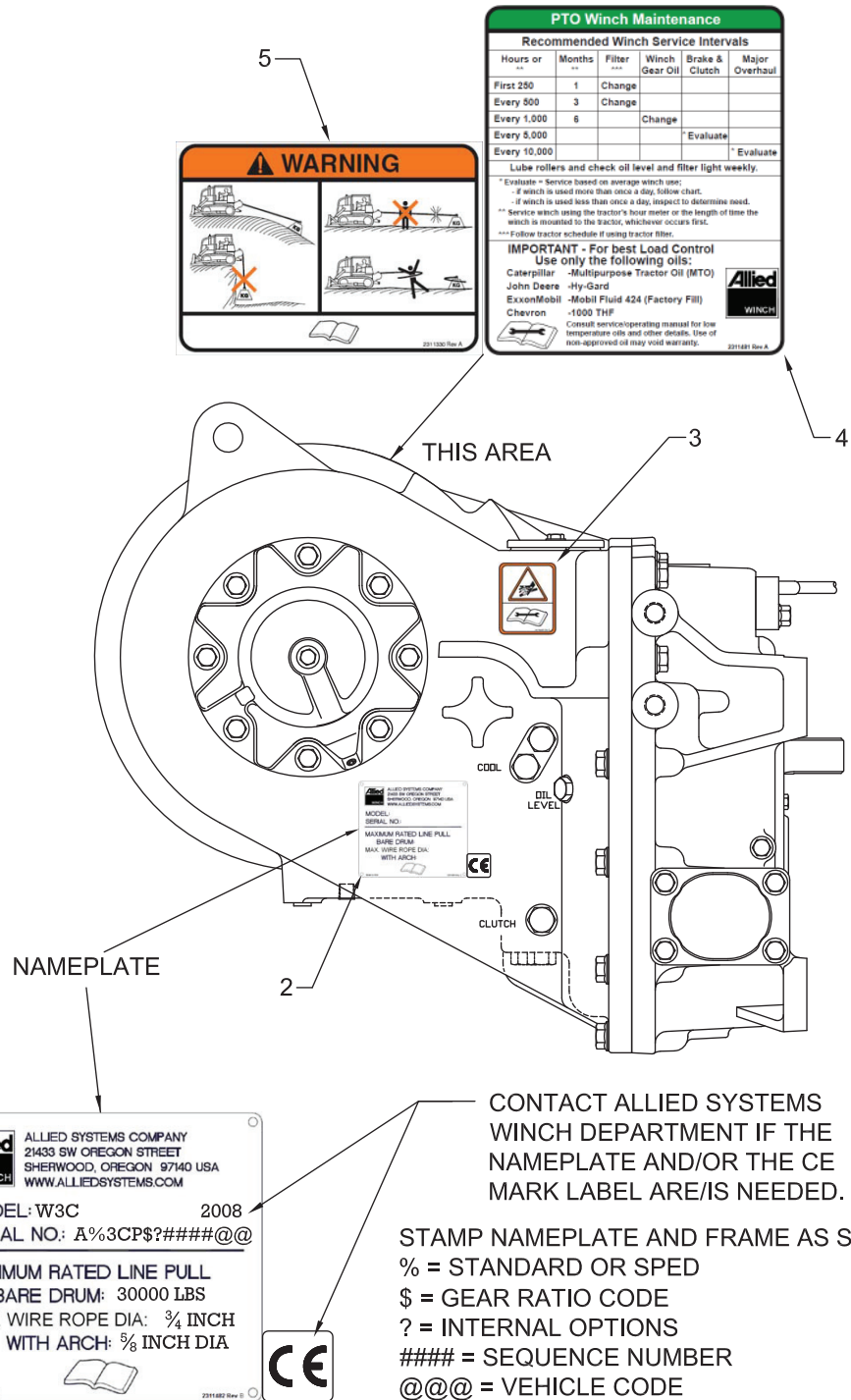
Mounting Parts - PFO & PFR

Komatsu D31/37/39 EX-21/21A KomStat (K12)



Item	Part No.	Description	Qty	Item	Part No.	Description	Qty
1	*a 221657W	Capscrew	8	14	2305046W	Assembly, Driveshaft	1
2	221777W	Washer	8		2305193W	. Driveshaft	1
4	*a 1308451W	Capscrew	12		2303124W	. Assembly, Spider & Bearing	2
5	296434W	Washer	12		2305064W	. Assembly, Flywheel Collar	2
6	2304814W	Bracket, Mounting	1		180959W	. Capscrew	2
7	2304937W	Guard, Skid Plate	1		15156W	. Lockwasher	2
8	2304939W	Guard, Piping	1		2305045W	. Collar, Flywheel	1
9	293646W	Capscrew	6	15	2302686W	Flange	1
10	296422W	Washer	6	16	19928W	Pin	1
11	R14450	Trim, Edge (Not Illustrated)	1.1 ft.	17	9554W	Ring, Lock	1
12	*a 221466W	Capscrew	4				
13	*a 293617W	Capscrew	4		*a	Use 318702W Thread Lock	

Nameplate & Decals



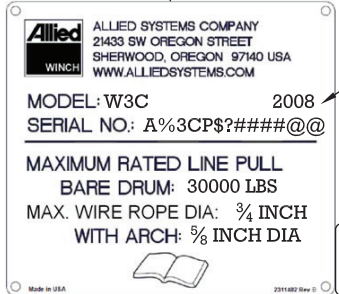
PTO Winch Maintenance					
Recommended Winch Service Intervals					
Hours or Days	Months	Filter	Winch Gear Oil	Brake & Clutch	Major Overhaul
First 200	1	Change			
Every 800	3	Change			
Every 1,000	6	Change			
Every 5,000				Evaluate	
Every 10,000				Evaluate	

Lube rollers and check oil level and filter light weekly.

* Evaluate - Service based on average winch use:
 - if winch is used more than once a day, follow chart.
 - if winch is used less than once a day, inspect to determine need.
 ** Service winch using the tractor's hour meter or the length of time the winch is mounted to the tractor, whichever occurs first.
 *** Follow tractor schedule if using tractor filter.

IMPORTANT - For best Load Control
 Use only the following oils:
 Caterpillar - Multipurpose Tractor Oil (MTO)
 John Deere - Hy-Gard
 ExxonMobil - Mobil Fluid 424 (Factory Fill)
 Chevron - 1000 THF

Consult service/operating manual for low temperature oils and other details. Use of non-approved oil may void warranty.



CONTACT ALLIED SYSTEMS WINCH DEPARTMENT IF THE NAMEPLATE AND/OR THE CE MARK LABEL ARE/IS NEEDED.

STAMP NAMEPLATE AND FRAME AS SHOWN:
 % = STANDARD OR SPED
 \$ = GEAR RATIO CODE
 ? = INTERNAL OPTIONS
 #### = SEQUENCE NUMBER
 @@@ = VEHICLE CODE

Item	Part No.	Description	Qty	Item	Part No.	Description	Qty
2	16602W	Screw	4	4	2311481	Decal, PTO Winch Maintenance	1
3	1321665W	Decal, Warning	1	5	2311330	Decal, Load & Wire Rope Safety	1

Intentionally Blank

Gear Train/Shaft

Brake - PFO 2-14 & 2-25

Brake - PFO & PFR 2-26 thru 2-39

Clutch - PFO 2-2 thru 2-7

Clutch - PFR 2-8 thru 2-13

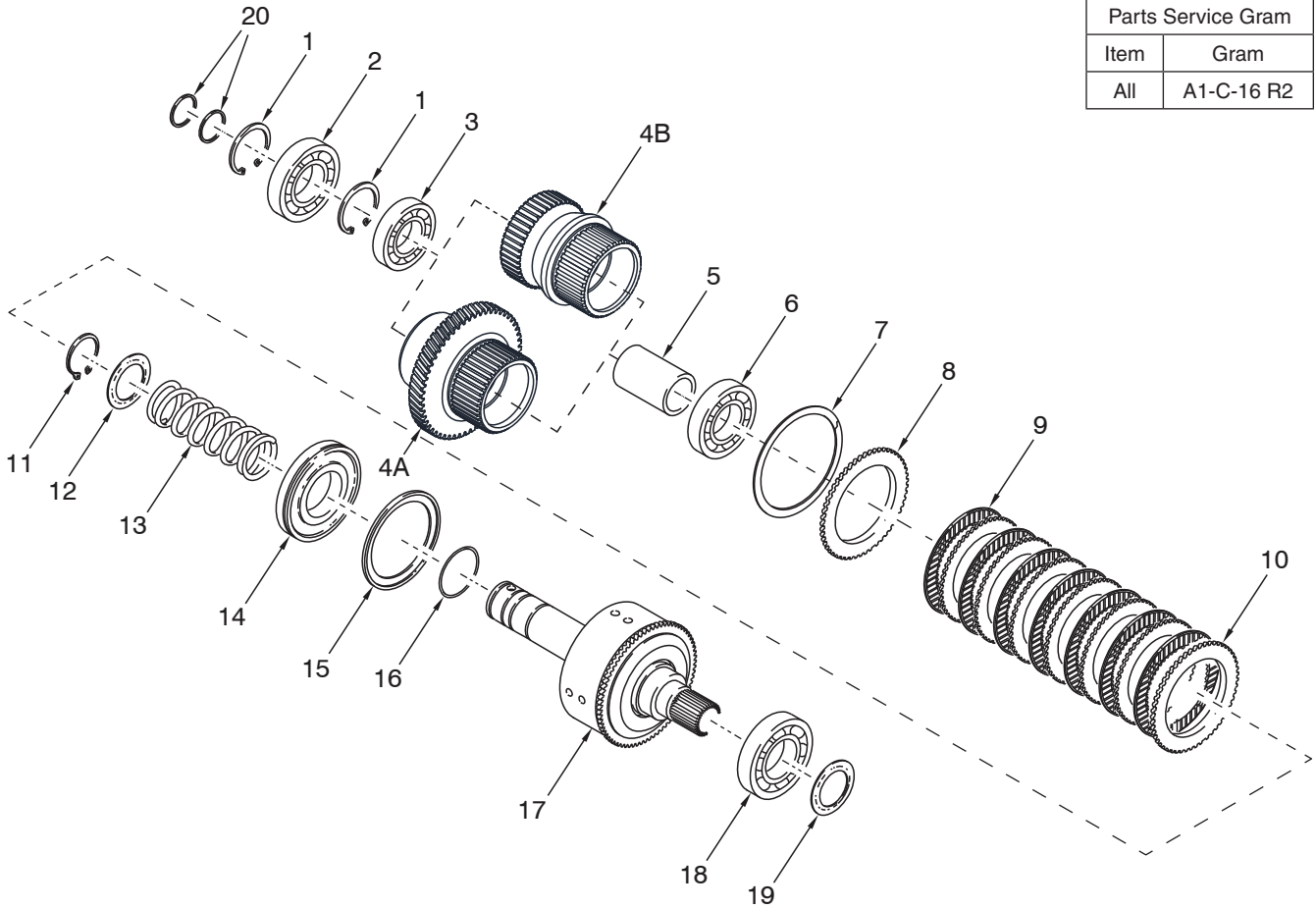
Ring/Pinion 2-41 thru 2-43

Shaft, Drum (& Freespool) 2-44 & 2-45

Shaft, Intermediate 2-40

Clutch - PFO
 A or K
 (Gear Ratio Codes 1 & 2)
 Page 1 of 2

Parts Service Gram	
Item	Gram
All	A1-C-16 R2



Recommended Service Kit		
Item	Kit No.	Section
9 (2304873W), 10 (2304874W), 11, 12, 13, 15, 16, 19, 20	2303047W	5-1

Clutch - PFO
A or K
(Gear Ratio Codes 1 & 2)
Page 2 of 2

Key

A - Low PTO Input } Refer to page 0-7 for details
B - High PTO Input }

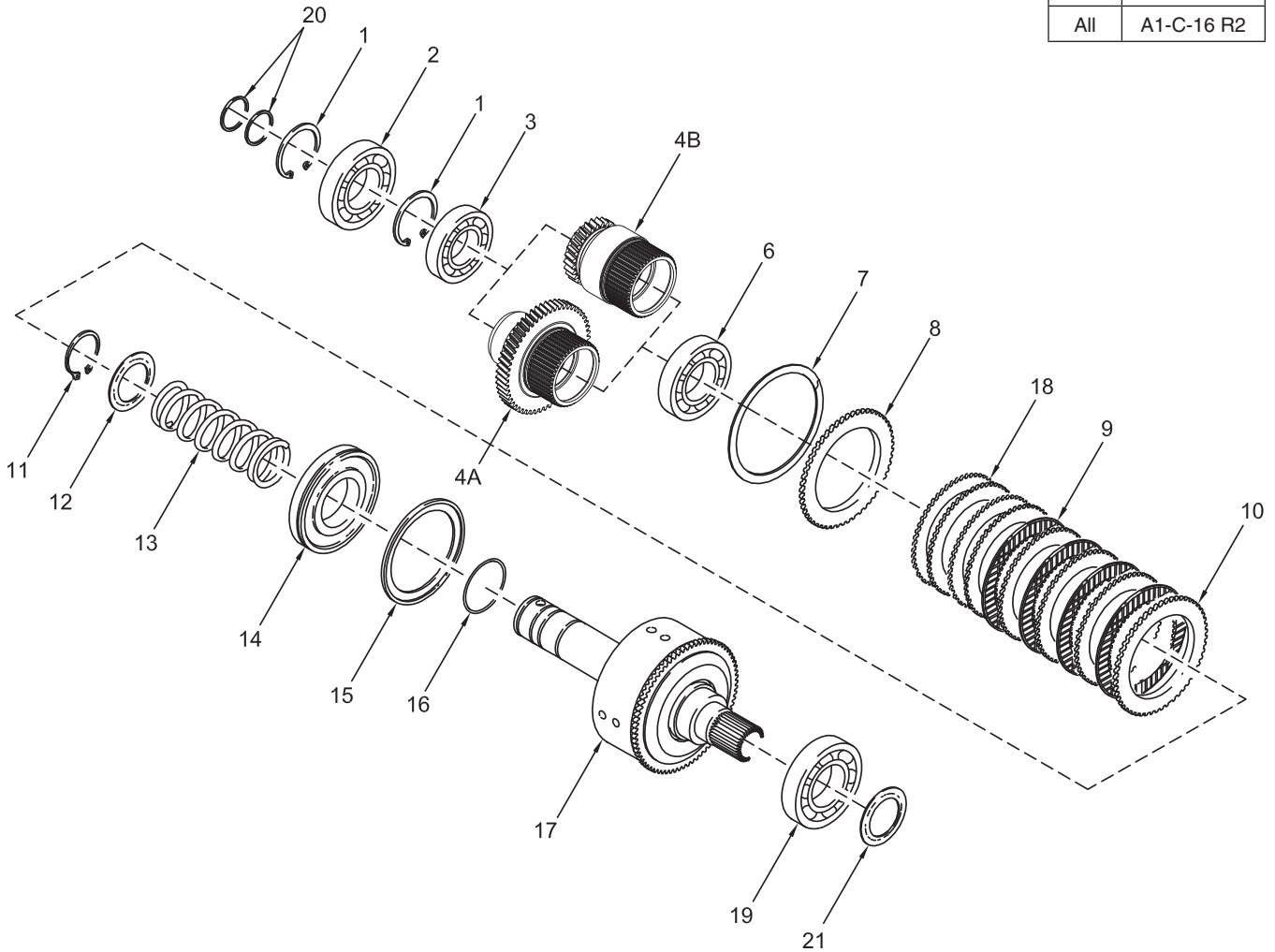
Item	Part No.	Description	Qty		Item	Part No.	Description	Qty	
			A	B				A	B
	2303041W	Assembly, Clutch	1	--					
	2303042W	Assembly, Clutch	--	1					
1	12891W	. Ring, Snap	2	2	13	1314447W	. Spring, Clutch	1	1
2	41308W	. Bearing, Ball	1	1	14	1314446W	. Piston, Clutch	1	1
3	43208W	. Bearing, Ball	1	1	15	334402W	. Seal, Clutch Pack	1	1
4A	1314567W	. Hub, Clutch	1	--	16	140597W	. O-Ring	1	1
4B	1314419W	. Hub, Clutch	--	1	17	*c 2305967W	. Assembly, Shaft & Housing	1	1
5	1314469W	. Spacer	1	1	18	44310W	Bearing	1	1
6	44308W	. Bearing	1	1	19	44503W	Seal	1	1
7	334475W	. Ring, Snap - Ext.	1	1	20	346677W	Ring, Seal	2	2
8	334442W	. Plate, Pressure	1	1					
9	*a 346796W	. Plate, Friction	7	7					
	*a, *b 2304873W	. Plate, Friction	4	4					
10	*a 334417W	. Plate, Separator	7	7					
	*a, *b 2304874W	. Plate, Separator	10	10					
11	334480W	. Ring, Snap	1	1					
12	1314549W	. Guide, Spring	1	1					

*a Refer to Winch Parts Service Bulletin A1-C-16 R2
*b Part numbers and quantities listed reflect clutch updated per Winch Parts Service Bulletin A1-C-16 R2
*c See Winch Parts Service Bulletin A0-E-13 for alterations needed.

Clutch - PFO

A or K
 (Gear Ratio Code 5)
 Page 1 of 2

Parts Service Gram	
Item	Gram
All	A1-C-16 R2



Recommended Service Kit		
Item	Kit No.	Section
9 (2304873W), 10 (2304874W), 11, 12, 13, 15, 16, 20, 21	2303047W	5-1

Clutch - PFO
 A or K
 (Gear Ratio Code 5)
 Page 2 of 2

Key

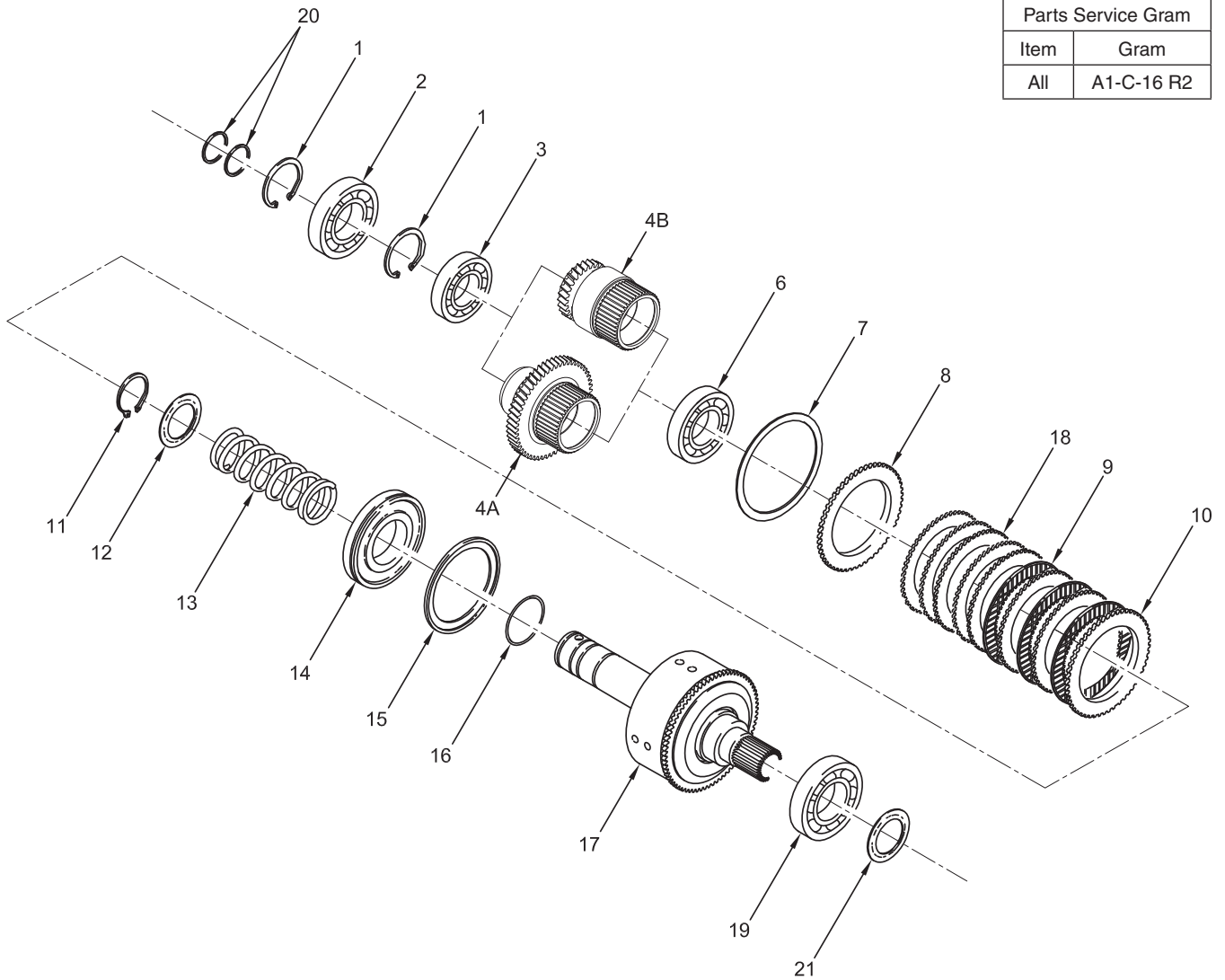
A - A11, A12, R11, R13
 B - C11, E12, F11, H12, H13, K13, R14, R15, W11 } Refer to page 0-7 for details

Item	Part No.	Description	Qty		Item	Part No.	Description	Qty	
			A	B				A	B
	2303501W	Assembly, Clutch	1	--					
	2303500W	Assembly, Clutch	--	1					
1	12891W	. Ring, Snap	2	2	16	140597W	. O-Ring	1	1
2	41208W	. Bearing, Ball	1	1	17	*e 2305967W	. Assembly, Shaft & Housing	1	1
3	2300831W	. Bearing, Ball (one shown)	1	2	18	*b 2301543W	. Separator	4	4
4A	2303156W	. Hub, Clutch	1	--		*c 2304874W	. Separator	4	4
4B	2303157W	. Hub, Clutch	--	1	19	44310W	Bearing	1	1
6	44308W	. Bearing	1	1	20	346677W	Ring, Seal	2	2
7	334475W	. Ring, Snap - Int.	1	1	21	44503W	Seal	1	1
8	334442W	. Plate, Pressure	1	1					
9	*a, *e 346796W	. Plate, Friction	4	4		*a	Refer to Winch Parts Service Bulletin A1-C-16 R2		
	*a,*c,*d 2304873W	. Plate, Friction	4	4		*b	Last Used on AW3C-2540 (See Winch Parts Service Bulletin A1-C-16 R2)		
10	*a, *e 334417W	. Plate, Separator	10	10		*c	First used on AW3C-2541		
	*a,*c,*d 2304874W	. Plate, Separator	10	10		*d	Part numbers and quantities listed reflect clutch updated per Winch Parts Service Bulletin A1-C-16 R2		
11	334480W	. Ring, Snap - Ext.	1	1		*e	See Winch Parts Service Bulletin A0-E-13 for alterations needed.		
12	1314549W	. Guide, Spring	1	1					
13	1314447W	. Spring, Clutch	1	1					
14	1314446W	. Piston, Clutch	1	1					
15	334402W	. Seal, Clutch Pack	1	1					

Clutch - PFO

A or K
 (Gear Ratio Code 6)
 Page 1 of 2

Parts Service Gram	
Item	Gram
All	A1-C-16 R2



Recommended Service Kit		
Item	Kit No.	Section
9 (2304873W), 10 (2304874W), 11, 12, 13, 15, 16, 20, 21	2303047W	5-1

Clutch - PFO
 A or K
 (Gear Ratio Code 6)
 Page 2 of 2

Key

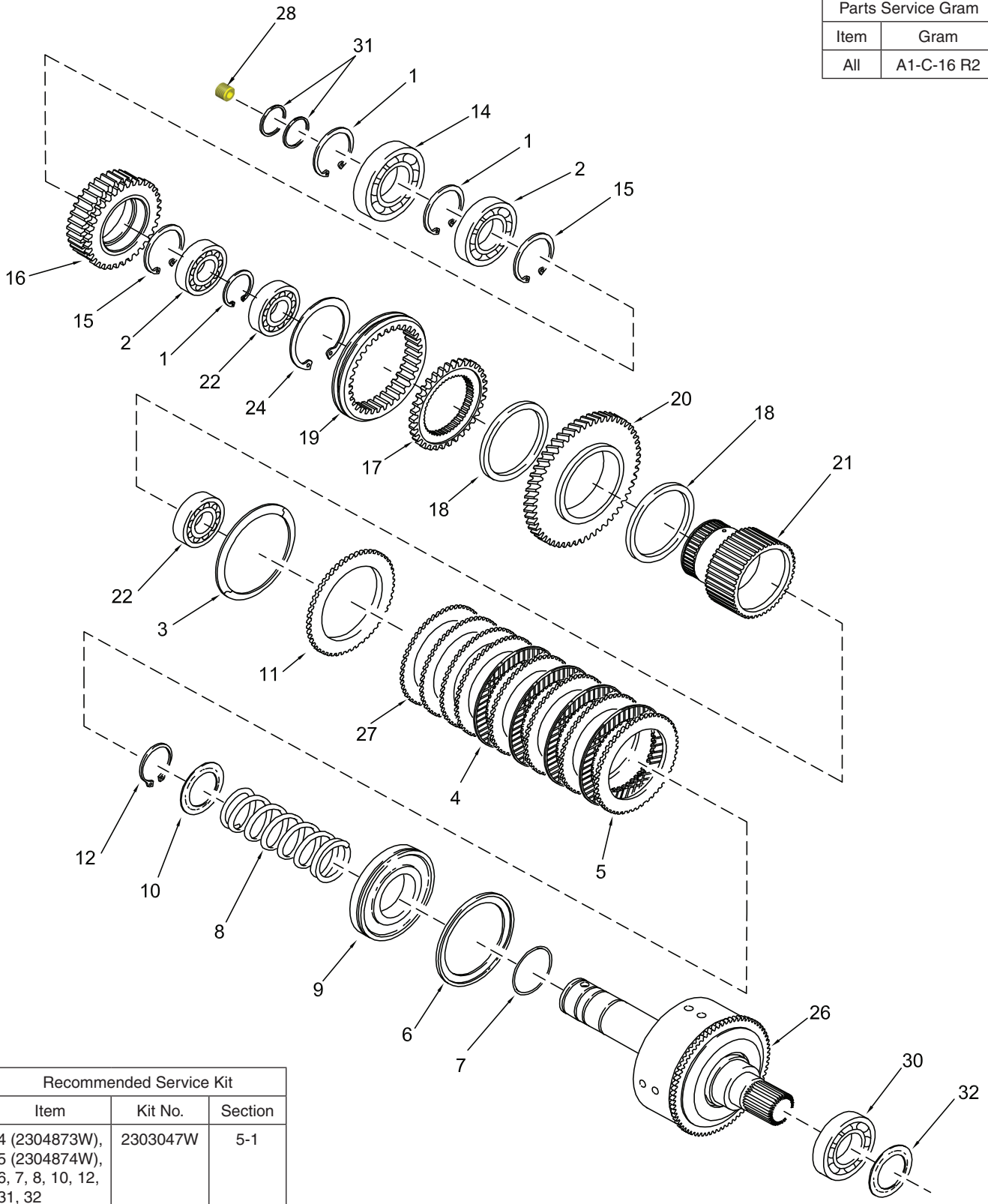
A - A11, A12, R11, R13

B - A15, A16, C11, C16, C30, C34, C360, C361, C362, E12, F11, H12, H13, K11, K12, K13, R14, R15, W11 } Refer to page 0-7 for details

Item	Part No.	Description	Qty		Item	Part No.	Description	Qty	
			A	B				A	B
	2303202W	Assembly, Clutch	1	--					
	2303201W	Assembly, Clutch	--	1					
1	12891W	. Ring, Snap	2	2	16	140597W	. O-Ring	1	1
2	41208W	. Bearing, Ball	1	1	17	*e 2305967W	. Assembly, Shaft & Housing	1	1
3	2300831W	. Bearing, Ball (one shown)	1	2	18	*b 2301543W	. Separator	5	5
4A	2303156W	. Hub, Clutch - 55T	1	--		*c 2304874W	. Separator	5	5
4B	2303157W	. Hub, Clutch - 27T	--	1	19	44310W	Bearing	1	1
6	44308W	. Bearing (one shown)	1	1	20	346677W	Ring, Seal	2	2
7	334475W	. Ring, Snap - Int.	1	1	21	44503W	Seal	1	1
8	334442W	. Plate, Pressure	1	1					
9	*a, *e 346796W	. Plate, Friction	3	3		*a	Refer to Winch Parts Service Bulletin A1-C-16 R2		
	*a, *c, *d 2304873W	. Plate, Friction	4	4		*b	Last Used on S/N AW3C-2540 (See Winch Parts Service Bulletin A1-C-16 R2)		
10	*a, *e 334417W	. Plate, Separator	7	7		*c	First Used on S/N AW3C-2541		
	*a, *c, *d 2304874W	. Plate, Separator	10	10		*d	Part Numbers and Quantities Listed Reflect Clutch Updated per Winch Parts Service Bulletin A1-C-16 R2		
11	334480W	. Ring, Snap - Ext.	1	1		*e	See Winch Parts Service Bulletin A0-E-13 for alteration needed.		
12	1314549W	. Guide, Spring	1	1					
13	1314447W	. Spring, Clutch	1	1					
14	1314446W	. Piston, Clutch	1	1					
15	334402W	. Seal, Clutch Pack	1	1					

Clutch - PFR
 (Gear Ratio Code 2)
 Last used on S/N AW3C-2028

Parts Service Gram	
Item	Gram
All	A1-C-16 R2



Recommended Service Kit		
Item	Kit No.	Section
4 (2304873W), 5 (2304874W), 6, 7, 8, 10, 12, 31, 32	2303047W	5-1

Clutch - PFR
(Gear Ratio Code 2)
Last used on S/N AW3C-2028

Key

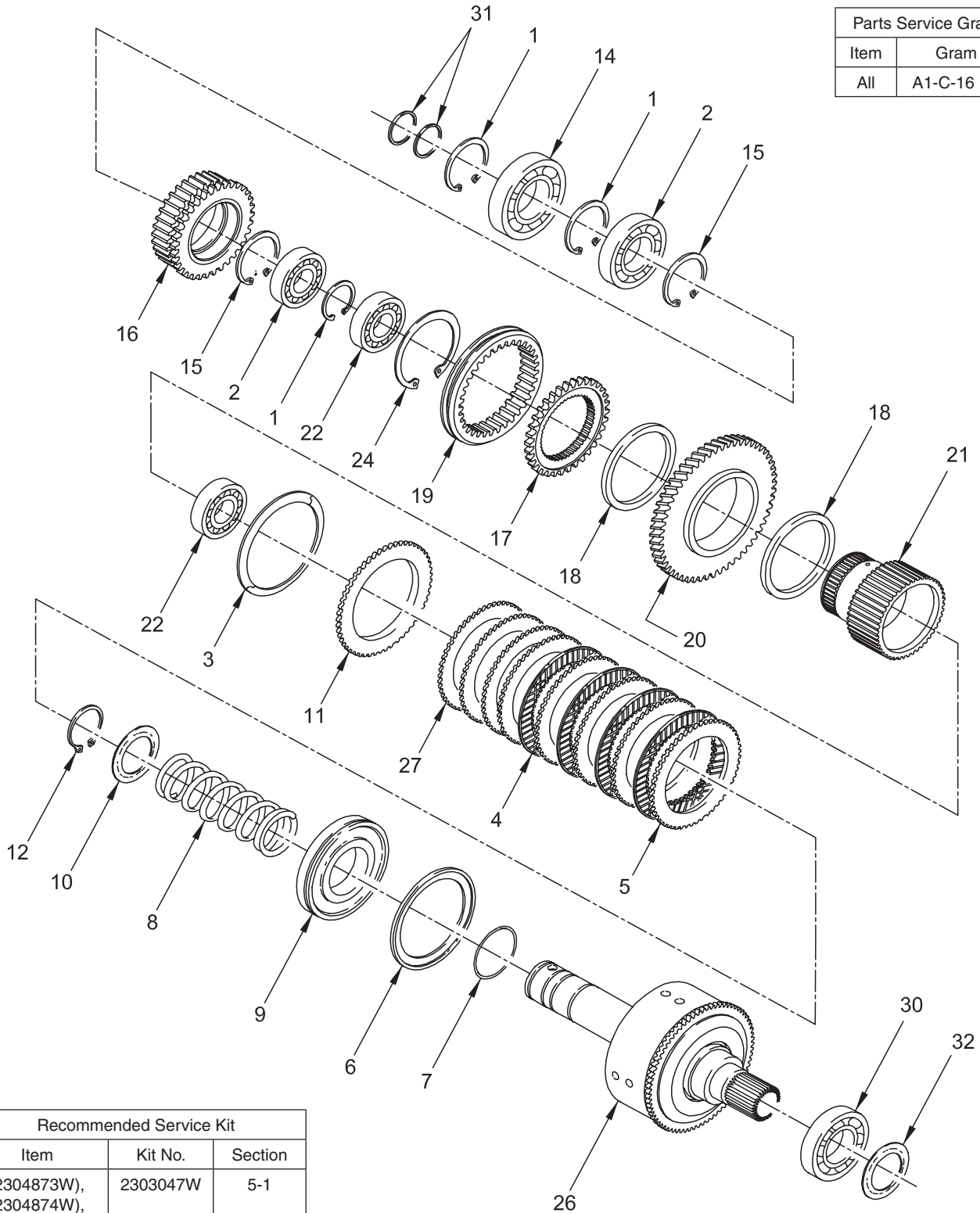
A - Low PTO Input } Refer to page 0-7 for details
B - High PTO input }

Item	Part No.	Description	Qty		Item	Part No.	Description	Qty	
			A	B				A	B
	2303044W	Assembly, Clutch - Low	1	--					
	2303045W	Assembly, Clutch - High	--	1					
1	12891W	. Ring, Snap	2	2		2302114W	. Assembly, Gear	1	--
2	43208W	. Bearing, Ball	1	1	21	2300830W	. Hub, Clutch	1	1
3	334475W	. Ring, Snap	1	1	22	2300831W	. Bearing, Ball	2	2
4	*d 346796W	. Plate, Friction	6	6	23	2300832W	. Spacer	1	1
	*e, *g 2304873W	. Plate, Friction	4	4	24	2300839W	. Ring, Snap	1	1
5	*d 334417W	. Plate, Separator	7	7	25	2300842W	. Spacer	1	1
	*e, *g 2304874W	. Plate, Separator	10	10	26	*f 2305967W	. Assembly, Shaft & Housing	1	1
6	334402W	. Seal, Clutch Pack	1	1	27	*d 2301543W	. Plate, Separator	1	1
7	140597W	. O-Ring	1	1		*e 2304874W	. Plate, Separator	1	1
8	1314447W	. Spring, Clutch	1	1	28	*b 2301542W	. Fitting	1	1
9	1314446W	. Piston, Clutch	1	1		*c 2301673W	. Fitting	1	1
10	1314549W	. Guide, Spring	1	1	30	44310W	Bearing	1	1
11	334442W	. Plate, Pressure	1	1	31	346677W	Ring, Seal	2	2
12	334480W	. Ring, Snap - Ext.	1	1	32	44503W	Seal	1	1
13	44308W	. Bearing	1	1					
14	41308W	. Bearing, Ball	1	1		*a	First Used on S/N AW3C-1622		
15	12966W	. Ring, Snap	1	1		*b	Last Used on S/N AW3C-1449		
16	2300840W	. Gear	--	1		*c	First Used on S/N AW3C-1450		
	*a 2301837W	. Gear	--	1		*d	Last Used on S/N AW3C-2540 (See Winch Parts Service Bulletin A1-C-16 R2)		
16	2301778W	. Gear	1	--					
17	2300838W	. Gear	1	1		*e	First Used on S/N AW3C-2541		
	*a 2301779W	. Gear	1	1			Refer to Winch Parts Service Bulletin A1-C-16 R2		
18	2301077W	. Washer, Thrust	2	2		*f	See Winch Parts Service Bulletin A0-E-13 for alterations to brake housing needed.		
19	2300837W	. Collar	1	1		*g	Part Numbers and Quantities Listed Reflect Clutch Updated per Winch Parts Service Bulletin A1-C-16 R2		
	*a 2301757W	. Collar	1	1					
20	2301075W	. Assembly, Gear	--	1					
	*a 2302111W	. Assembly, Gear	--	1					

Clutch - PFR

B or L
(Gear Ratio Code 5)
Page 1 of 2

Parts Service Gram	
Item	Gram
All	A1-C-16 R2



Recommended Service Kit		
Item	Kit No.	Section
4 (2304873W), 5 (2304874W), 6, 7, 8, 10, 12, 27 (2304874W), 31, 32	2303047W	5-1

Clutch - PFR

B or L

(Gear Ratio Code 5)

Page 2 of 2

Key

A - A11, A12, R11, R13

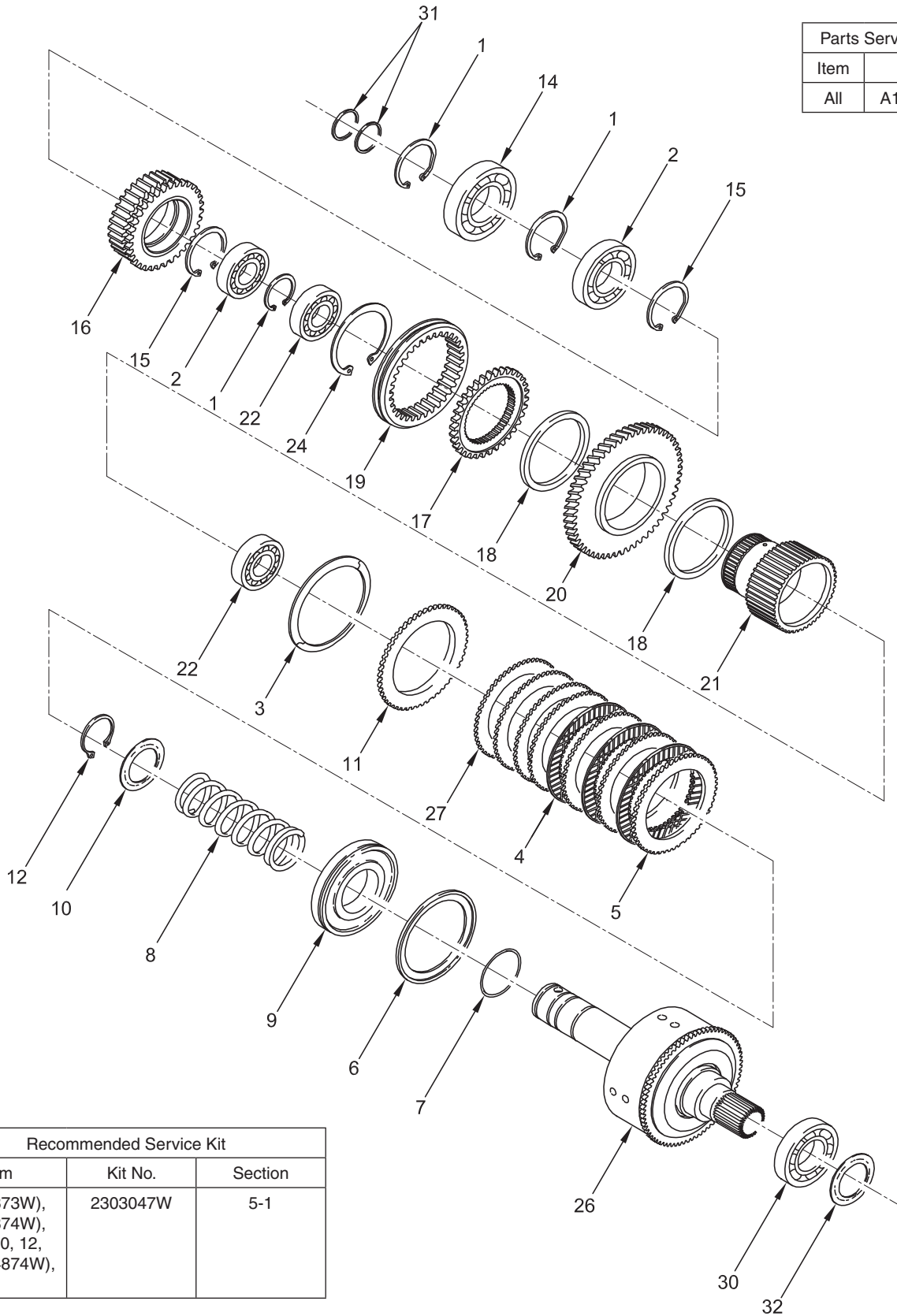
B - C11, E12, F11, H12, H13, K13, R14, R15, W11 } Refer to page 0-7 for details

Item	Part No.	Description	Qty		Item	Part No.	Description	Qty	
			A	B				A	B
	2303477W	Assembly, Clutch - Low	1	--					
	2303476W	Assembly, Clutch-High, R15	--	1					
1	12891W	. Ring, Snap	3	3	20	2302111W	. Assembly, Gear	--	1
2	2300831W	. Bearing, Ball	2	2	20	2302114W	. Assembly, Gear	1	--
3	334475W	. Ring, Snap	1	1	21	2300830W	. Hub, Clutch	1	1
4	*c, *a 346796W	. Plate, Friction	4	4	22	2300831W	. Bearing, Ball	2	2
	*c,*b,*d 2304873W	. Plate, Friction	4	4	24	2300839W	. Ring, Snap	1	1
5	*c, *a 334417W	. Plate, Separator	7	7	26	*e 2305967W	. Assembly, Shaft & Housing	1	1
	*c,*b,*d 2304874W	. Plate, Separator	10	10	27	*a 2301543W	. Plate, Separator	4	4
6	334402W	. Seal, Clutch Pack	1	1		*b 2304874W	. Plate, Separator	5	5
7	140597W	. O-Ring	1	1	30	44310W	Bearing	1	1
8	1314447W	. Spring, Clutch	1	1	31	346677W	Ring, Seal	2	2
9	1314446W	. Piston, Clutch	1	1	32	44503W	Seal	1	1
10	1314549W	. Guide, Spring	1	1					
11	334442W	. Plate, Pressure	1	1		*a	Last Used on S/N AW3C-2540 (See Winch Parts Service Bulletin A1-C-16 R2)		
12	334480W	. Ring, Snap - Ext.	1	1		*b	First Used on S/N AW3C-2541		
14	41208W	. Bearing, Ball	1	1		*c	Refer to Winch Parts Service Bulletin A1-C-16 R2		
15	12921W	. Ring, Snap	2	2		*d	Part numbers and quantities listed reflect clutch updated per Winch Parts Service Bulletin A1-C-16 R2		
16	2303158W	. Gear	--	1		*e	See Winch Parts Service Bulletin A0-E-13 for alterations needed.		
	2303159W	. Gear	1	--					
17	2301779W	. Gear	1	1					
18	2301077W	. Washer, Thrust	2	2					
19	2301757W	. Collar	1	1					

Clutch - PFR

B or L
(Gear Ratio Code 6)
Page 1 of 2

Parts Service Gram	
Item	Gram
All	A1-C-16 R2



Recommended Service Kit		
Item	Kit No.	Section
4 (2304873W), 5 (2304874W), 6, 7, 8, 10, 12, 27 (2304874W), 31, 32	2303047W	5-1

Clutch - PFR

B or L

(Gear Ratio Code 6)

Page 2 of 2

Key

A - A11, A12, R11, R13

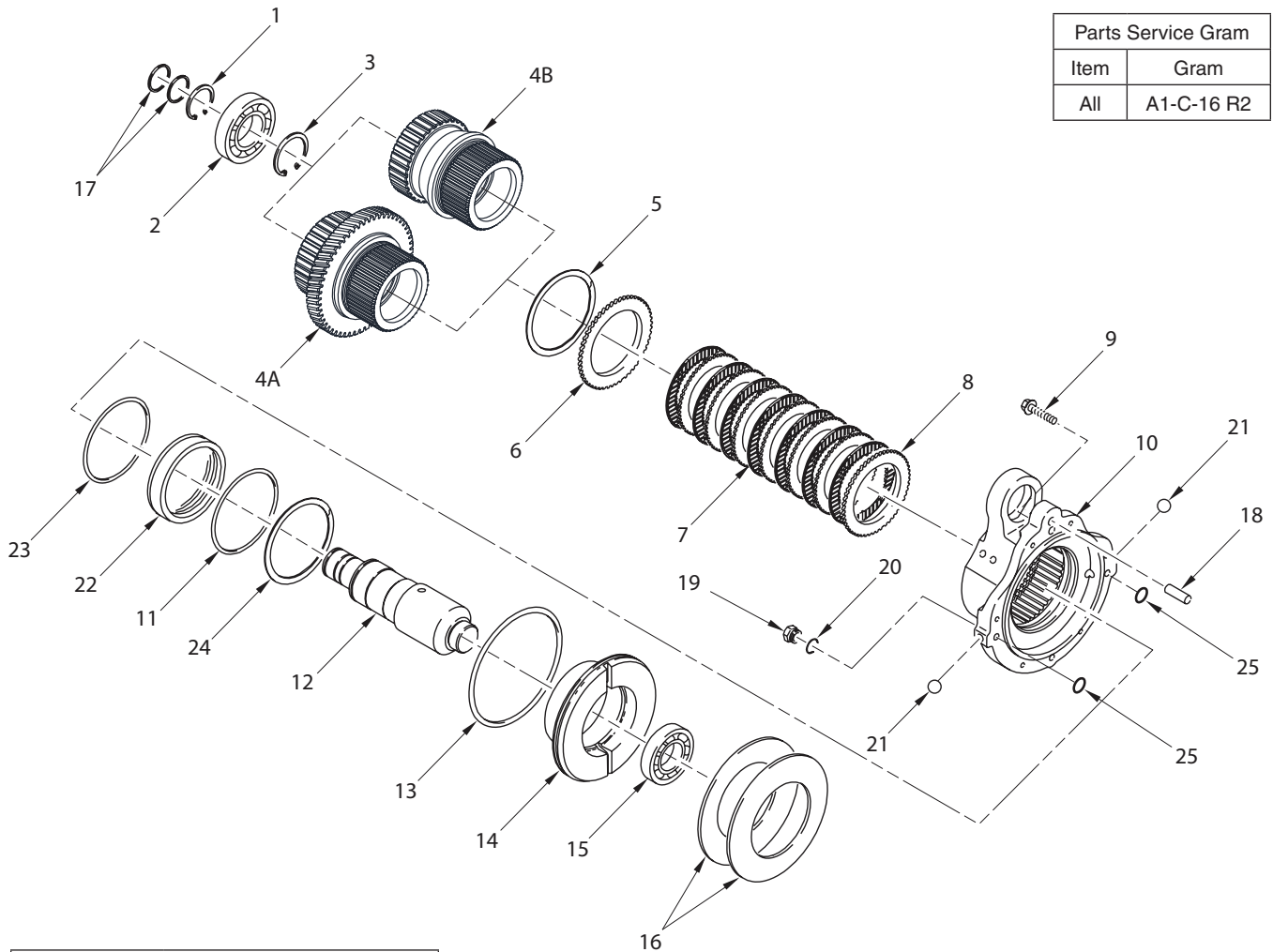
B - A15, A16, C11, C16, C30, C34, C360, C361, C362, E12, F11, H12, H13, K11, K12, K13, R14, R15, W11 } Refer to page 0-7 for details

Item	Part No.	Description	Qty		Item	Part No.	Description	Qty	
			A	B				A	B
	2303205W	Assembly, Clutch - Low	1	--					
	2303204W	Assembly, Clutch-High R15	--	1					
1	12891W	. Ring, Snap	3	3	20	2302111W	. Assembly, Gear	--	1
2	2300831W	. Bearing, Ball	2	2	20	2302114W	. Assembly, Gear	1	--
3	334475W	. Ring, Snap	1	1	21	2300830W	. Hub, Clutch	1	1
4	*c, *a 346796W	. Plate, Friction	3	3	22	2300831W	. Bearing, Ball	2	2
	*c,*b,*d 2304873W	. Plate, Friction	4	4	24	2300839W	. Ring, Snap	1	1
5	*c, *a 334417W	. Plate, Separator	7	7	26	*e 2305967W	. Assembly, Shaft & Housing	1	1
	*c,*b,*d 2304874W	. Plate, Separator	10	10	27	*a 2301543W	. Plate, Separator	5	5
6	334402W	. Seal, Clutch Pack	1	1		*b 2304874W	. Plate, Separator	5	5
7	140597W	. O-Ring	1	1	30	44310W	Bearing	1	1
8	1314447W	. Spring, Clutch	1	1	31	346677W	Ring, Seal	2	2
9	1314446W	. Piston, Clutch	1	1	32	44503W	Seal	1	1
10	1314549W	. Guide, Spring	1	1					
11	334442W	. Plate, Pressure	1	1		*a	Last Used on S/N AW3C-2540 (See Winch Parts Service Bulletin A1-C-16 R2)		
12	334480W	. Ring, Snap - Ext.	1	1		*b	First Used on S/N AW3C-2541		
14	41208W	. Bearing, Ball	1	1		*c	Refer to Winch Parts Service Bulletin A1-C-16 R2		
15	12921W	. Ring, Snap	2	2		*d	Part numbers and quantities listed reflect clutch updated per Winch Parts Service Bulletin A1-C-16 R2		
16	2303158W	. Gear	--	1		*e	See Winch Parts Service Bulletin A0-E-13 for alterations needed.		
16	2303159W	. Gear	1	--					
17	2301779W	. Gear	1	1					
18	2301077W	. Washer, Thrust	2	2					
19	2301757W	. Collar	1	1					

Brake - PFO

(Gear Ratio Codes 1 & 2)
 Last Used on S/N AW3C-1843
 Caterpillar D3/4/5B&C DD & PS, D4H, D5H & D5M
 Last Used on S/N AW3C-1996
 Caterpillar D3/4/5C Hystat
 Last Used on S/N AW3C-2178
 Caterpillar D4E
 Page 1 of 2

Parts Service Gram	
Item	Gram
All	A1-C-16 R2



Recommended Service Kit		
Item	Kit No.	Section
7, 8, 11, 13, 17, 20, 23, 25	2300576W	5-1

Brake - PFO

(Gear Ratio Codes 1 & 2)

Last Used on S/N AW3C-1843

Caterpillar D3/4/5B&C DD & PS, D4H, D5H & D5M

Last Used on S/N AW3C-1996

Caterpillar D3/4/5C Hystat

Last Used on S/N AW3C-2178

Caterpillar D4E

Page 2 of 2

Key

A - Low PTO Input } Refer to page 0-7 for details
 B - High PTO input }

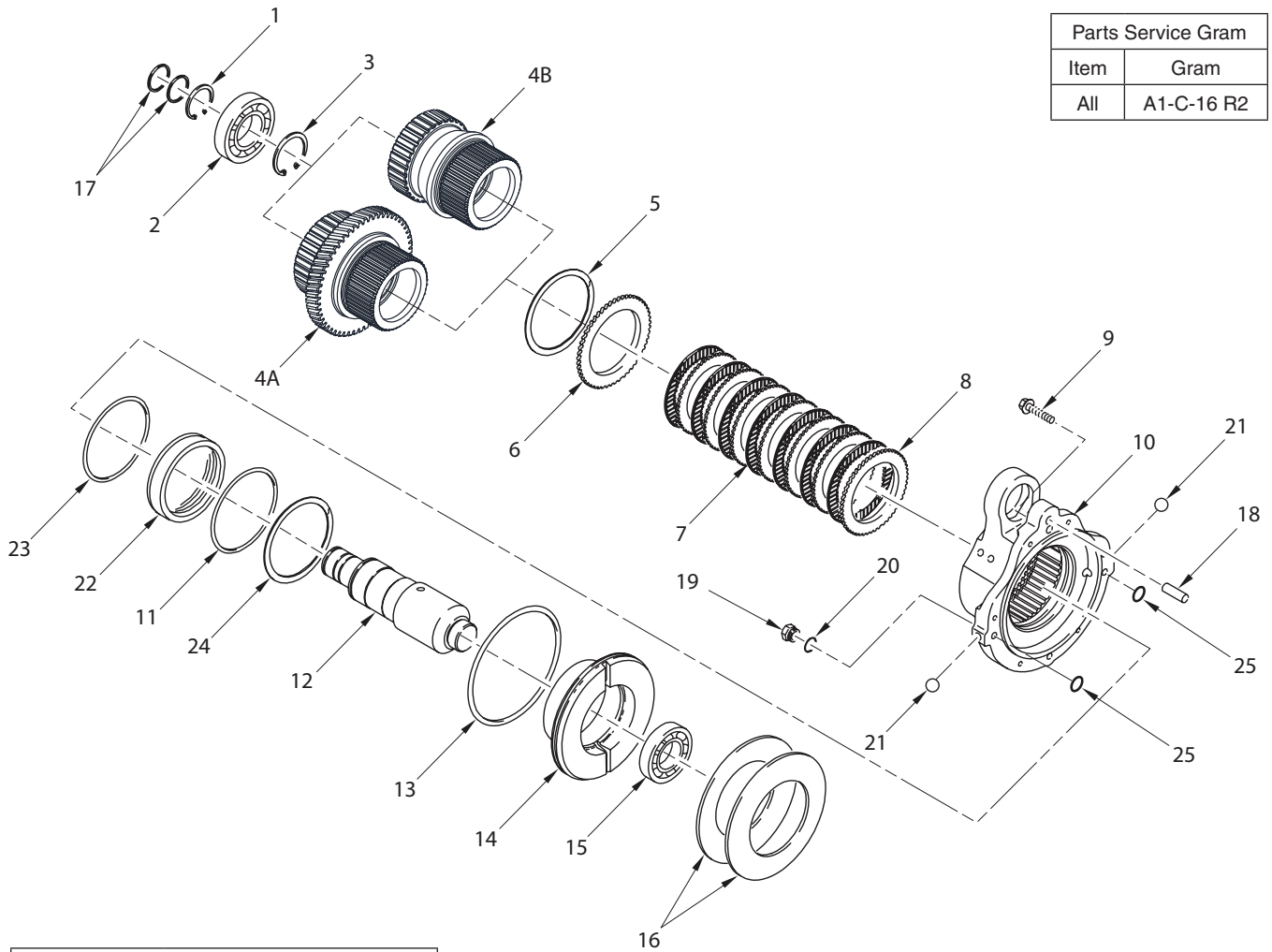
Item	Part No.	Description	Qty		Item	Part No.	Description	Qty	
			A	B				A	B
1	12891W	Ring, Snap	1	1	15	43208W	Bearing	1	1
2	41308W	Bearing, Ball	1	1	16	219084W	Spring	2	2
3	1314580W	Ring, Snap	1	1	17	346677W	Ring, Seal	2	2
4A	1314418W	Hub, Brake, 32 & 55T	1	--	18	19959W	Pin	1	1
4B	1314415W	Hub, Brake, 32T	--	1	19	14594W	Fitting	1	1
5	334475W	Ring, Snap	1	1	20	16483W	O-Ring	1	1
6	334442W	Plate, Pressure	1	1	21	NSS	Ball, Steel	2	2
7	*b 346796W	Plate, Friction	7	7	22	2300221W	Spacer	1	1
8	*b 334417W	Plate, Separator	7	7	23	39756W	O-Ring	1	1
9	2300587W	Capscrew	2	2	24	139385W	Ring, Snap	1	1
10	*a 2300226W	Housing, Brake	1	1	25	60653W	O-Ring	2	2
11	86596W	O-Ring	1	1					
12	1314420W	Shaft, Brake	1	1					
13	87287W	O-Ring	1	1					
14	2301078W	Piston, Brake	1	1					

*a Use 313022W Sealant

*b Refer to Winch Parts Service Bulletin A1-C-16 R2

Brake - PFO

(Gear Ratio Codes 1 & 2)
 Last Used on S/N AW3C-1843
 Dresser/Dressta
 Page 1 of 2



Parts Service Gram	
Item	Gram
All	A1-C-16 R2

Recommended Service Kit		
Item	Kit No.	Section
7, 8, 11, 13, 17, 20, 23, 25	2300576W	5-1

Brake - PFO
 (Gear Ratio Codes 1 & 2)
 Last Used on S/N AW3C-1843
 Dresser/Dressta
 Page 2 of 2

Key

A - Low PTO Input } Refer to page 0-7 for details
 B - High PTO input }

Item	Part No.	Description	Qty		Item	Part No.	Description	Qty	
			A	B				A	B
1	12891W	Ring, Snap	1	1	15	43208W	Bearing	1	1
2	41308W	Bearing, Ball	1	1	16	219084W	Spring	2	2
3	1314580W	Ring, Snap	1	1	17	346677W	Ring, Seal	2	2
4A	1314418W	Hub, Brake, 32 & 55T	1	--	18	19959W	Pin	1	1
4B	1314415W	Hub, Brake, 32T	--	1	19	14594W	Fitting	1	1
5	334475W	Ring, Snap	1	1	20	16483W	O-Ring	1	1
6	334442W	Plate, Pressure	1	1	21	NSS	Ball, Steel	2	2
7	*b 346796W	Plate, Friction	7	7	22	2300221W	Spacer	1	1
8	*b 334417W	Plate, Separator	7	7	23	39756W	O-Ring	1	1
9	2300587W	Capscrew	2	2	24	139385W	Ring, Snap	1	1
10	*a 2300226W	Housing, Brake	1	1	25	60653W	O-Ring	2	2
11	86596W	O-Ring	1	1					
12	1314420W	Shaft, Brake	1	1					
13	87287W	O-Ring	1	1					
14	2301078W	Piston, Brake	1	1					

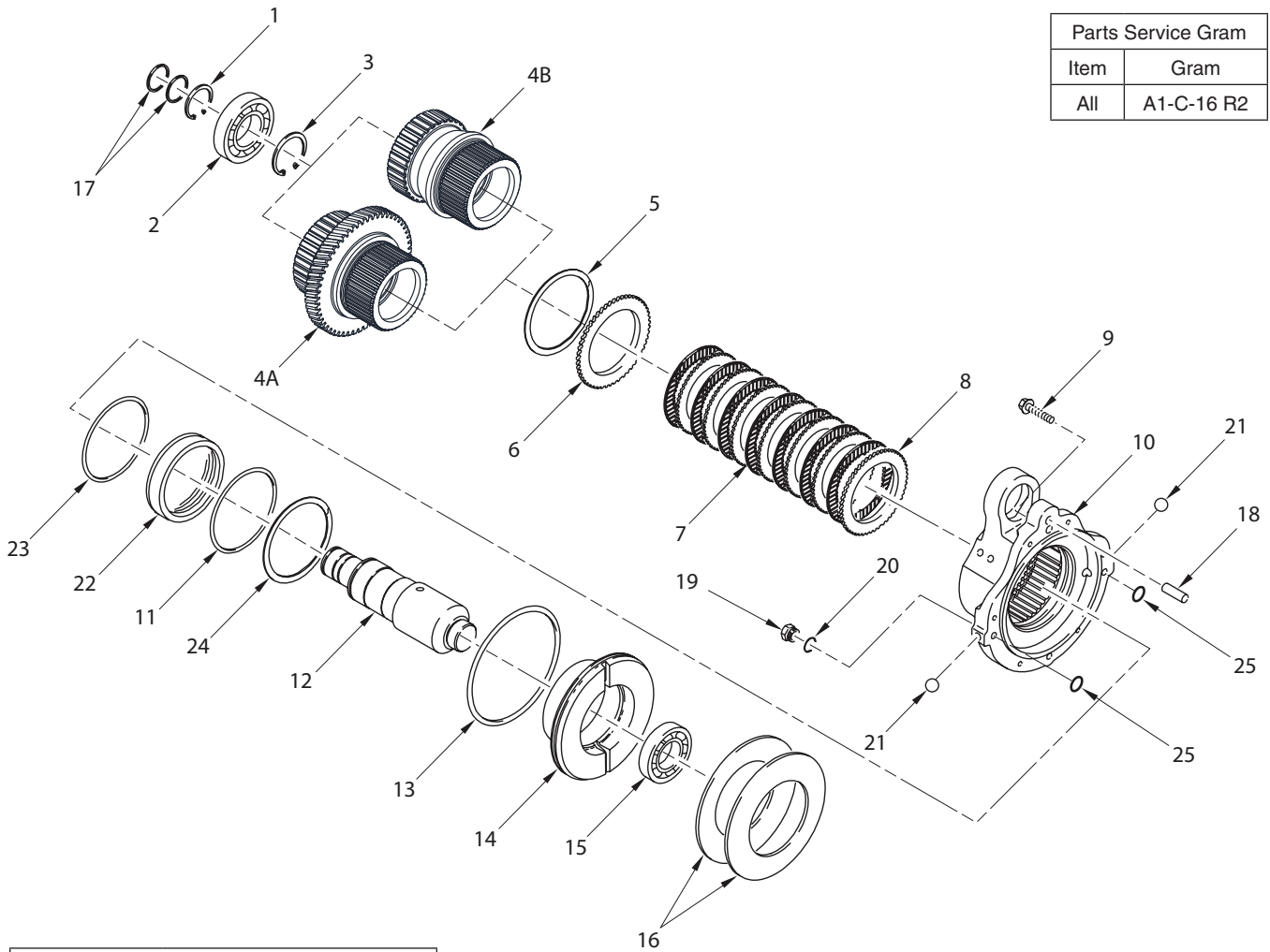
*a Use 313022W Sealant

*b Refer to Winch Parts Service Bulletin A1-C-16 R2

Brake - PFO

(Gear Ratio Codes 1 & 2)
 Last Used on S/N AW3C-1843
 Komatsu D32/38/39
 Last Used on S/N AW3C-1996
 Komatsu D31/37
 Page 1 of 2

Parts Service Gram	
Item	Gram
All	A1-C-16 R2



Recommended Service Kit		
Item	Kit No.	Section
7, 8, 11, 13, 17, 20, 23, 25	2300576W	5-1

Brake - PFO

(Gear Ratio Codes 1 & 2)

Last Used on S/N AW3C-1843

Komatsu D32/38/39

Last Used on S/N AW3C-1996

Komatsu D31/37

Page 2 of 2

Key

A - Low PTO Input } Refer to page 0-7 for details
 B - High PTO input }

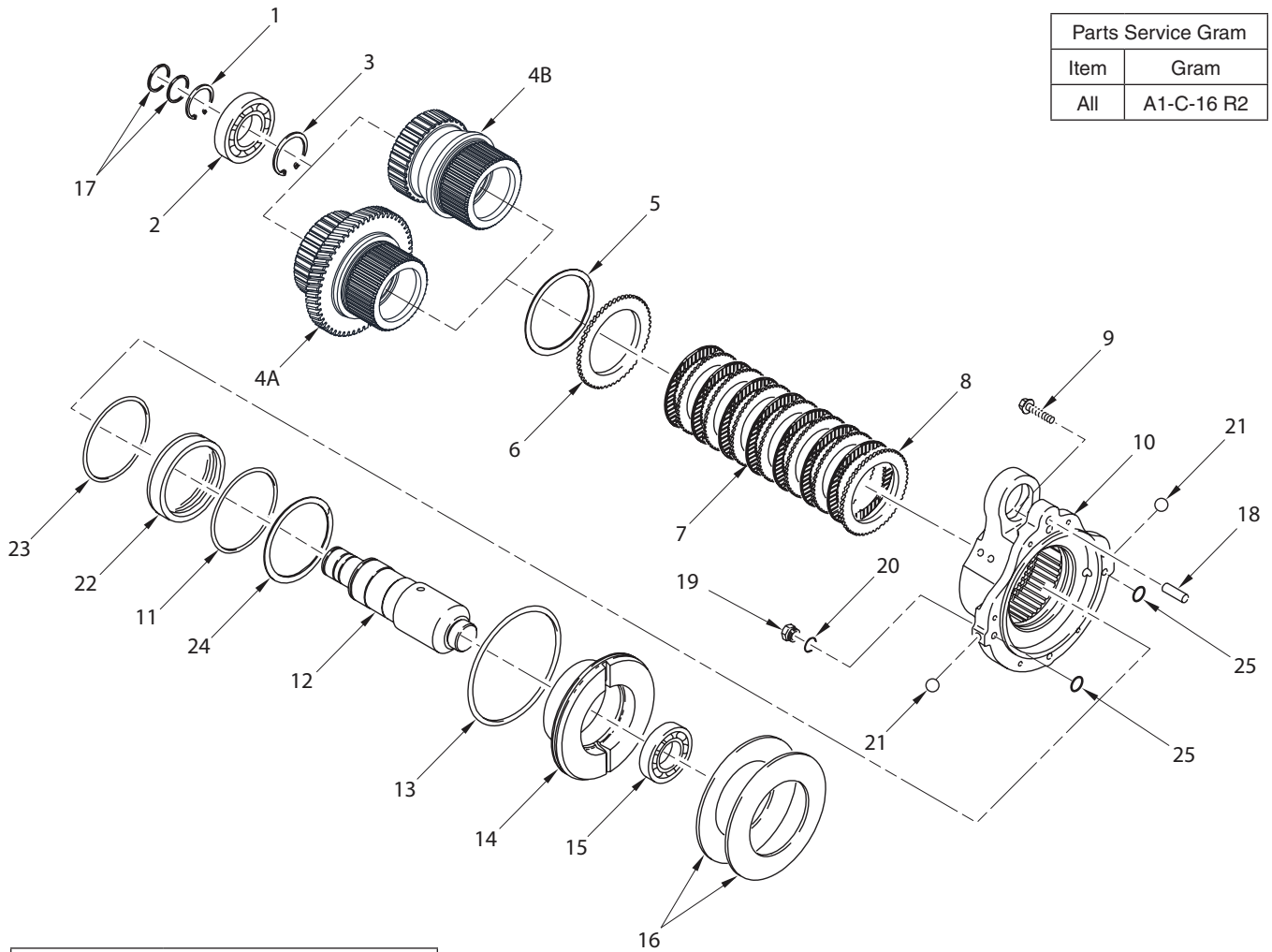
Item	Part No.	Description	Qty		Item	Part No.	Description	Qty	
			A	B				A	B
1	12891W	Ring, Snap	1	1	15	43208W	Bearing	1	1
2	41308W	Bearing, Ball	1	1	16	219084W	Spring	2	2
3	1314580W	Ring, Snap	1	1	17	346677W	Ring, Seal	2	2
4A	1314418W	Hub, Brake, 32 & 55T	1	--	18	19959W	Pin	1	1
4B	1314415W	Hub, Brake, 32T	--	1	19	14594W	Fitting	1	1
5	334475W	Ring, Snap	1	1	20	16483W	O-Ring	1	1
6	334442W	Plate, Pressure	1	1	21	NSS	Ball, Steel	2	2
7	*b 346796W	Plate, Friction	7	7	22	2300221W	Spacer	1	1
8	*b 334417W	Plate, Separator	7	7	23	39756W	O-Ring	1	1
9	2300587W	Capscrew	2	2	24	139385W	Ring, Snap	1	1
10	*a 2300226W	Housing, Brake	1	1	25	60653W	O-Ring	2	2
11	86596W	O-Ring	1	1					
12	1314420W	Shaft, Brake	1	1					
13	87287W	O-Ring	1	1					
14	2301078W	Piston, Brake	1	1					

*a Use 313022W Sealant

*b Refer to Winch Parts Service Bulletin A1-C-16 R2

Brake - PFO

(Gear Ratio Codes 1 & 2)
 Last Used on S/N AW3C-1996
 John Deere
 Page 1 of 2



Parts Service Gram	
Item	Gram
All	A1-C-16 R2

Recommended Service Kit		
Item	Kit No.	Section
7, 8, 11, 13, 17, 20, 23, 25	2300576W	5-1

Brake - PFO

(Gear Ratio Codes 1 & 2)

Last Used on S/N AW3C-1996

John Deere

Page 2 of 2

Key

A - Low PTO Input } Refer to page 0-7 for details
 B - High PTO input }

Item	Part No.	Description	Qty		Item	Part No.	Description	Qty	
			A	B				A	B
1	12891W	Ring, Snap	1	1	15	43208W	Bearing	1	1
2	41308W	Bearing, Ball	1	1	16	219084W	Spring	2	2
3	1314580W	Ring, Snap	1	1	17	346677W	Ring, Seal	2	2
4A	1314418W	Hub, Brake, 32 & 55T	1	--	18	19959W	Pin	1	1
4B	1314415W	Hub, Brake, 32T	--	1	19	14594W	Fitting	1	1
5	334475W	Ring, Snap	1	1	20	16483W	O-Ring	1	1
6	334442W	Plate, Pressure	1	1	21	NSS	Ball, Steel	2	2
7	*b 346796W	Plate, Friction	7	7	22	2300221W	Spacer	1	1
8	*b 334417W	Plate, Separator	7	7	23	39756W	O-Ring	1	1
9	2300587W	Capscrew	2	2	24	139385W	Ring, Snap	1	1
10	*a 2300226W	Housing, Brake	1	1	25	60653W	O-Ring	2	2
11	86596W	O-Ring	1	1					
12	1314420W	Shaft, Brake	1	1					
13	87287W	O-Ring	1	1					
14	2301078W	Piston, Brake	1	1					

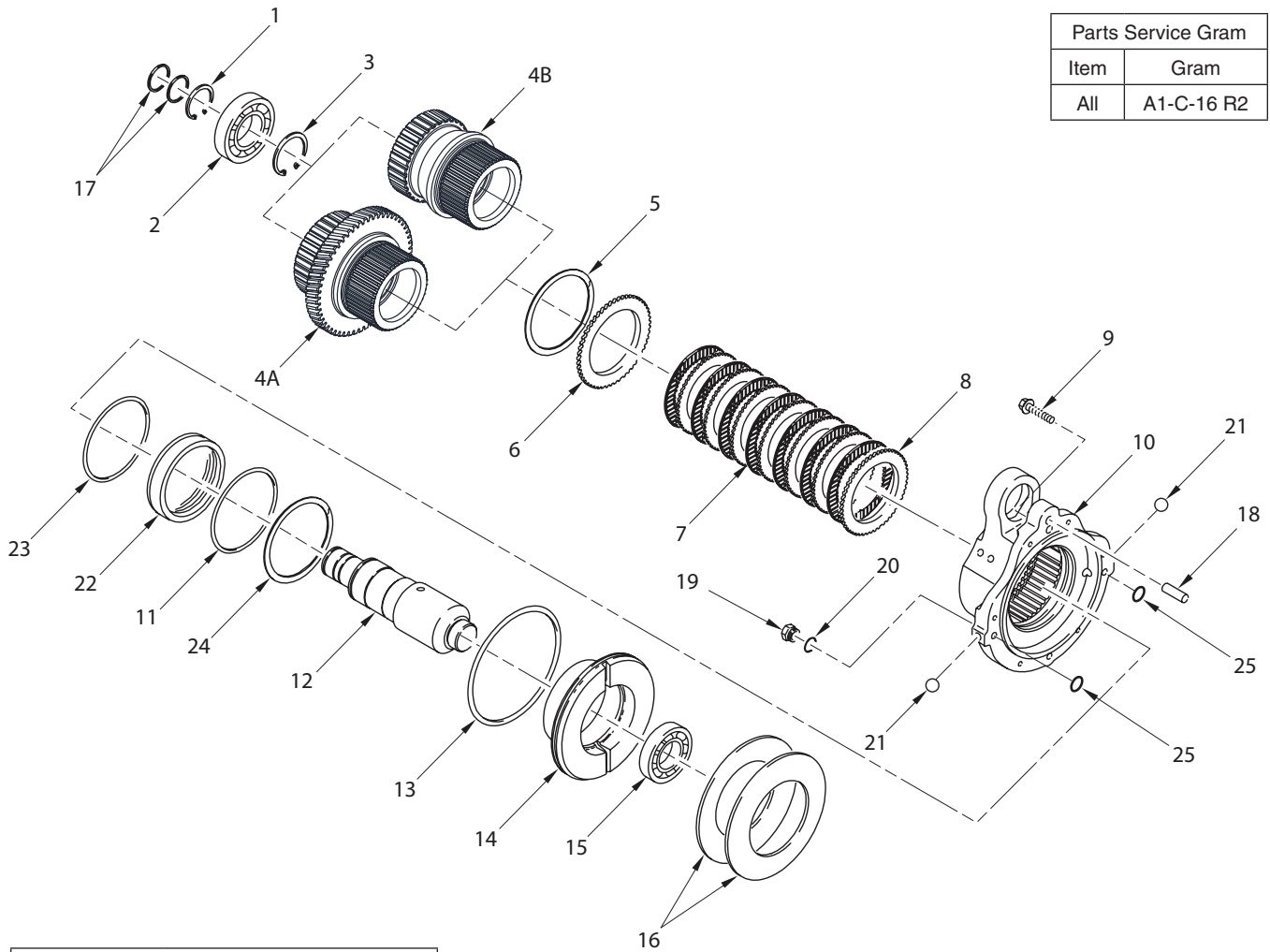
*a Use 313022W Sealant

*b Refer to Winch Parts Service Bulletin A1-C-16 R2

Brake - PFO

(Gear Ratio Codes 1 & 2)
 Last Used on S/N AW3C-2178
 Case (except 650H/750H/850H)
 Page 1 of 2

Parts Service Gram	
Item	Gram
All	A1-C-16 R2



Recommended Service Kit		
Item	Kit No.	Section
7, 8, 11, 13, 17, 20, 23, 25	2300576W	5-1

Brake - PFO

(Gear Ratio Codes 1 & 2)
 Last Used on S/N AW3C-2178
 Case (except 650H/750H/850H)
 Page 2 of 2

Key

A - Low PTO Input } Refer to page 0-7 for details
 B - High PTO input }

Item	Part No.	Description	Qty		Item	Part No.	Description	Qty	
			A	B				A	B
1	12891W	Ring, Snap	1	1	15	43208W	Bearing	1	1
2	41308W	Bearing, Ball	1	1	16	219084W	Spring	2	2
3	1314580W	Ring, Snap	1	1	17	346677W	Ring, Seal	2	2
4A	1314418W	Hub, Brake, 32 & 55T	1	--	18	19959W	Pin	1	1
4B	1314415W	Hub, Brake, 32T	--	1	19	14594W	Fitting	1	1
5	334475W	Ring, Snap	1	1	20	16483W	O-Ring	1	1
6	334442W	Plate, Pressure	1	1	21	NSS	Ball, Steel	2	2
7	*b 346796W	Plate, Friction	7	7	22	2300221W	Spacer	1	1
8	*b 334417W	Plate, Separator	7	7	23	39756W	O-Ring	1	1
9	2300587W	Capscrew	2	2	24	139385W	Ring, Snap	1	1
10	*a 2300226W	Housing, Brake	1	1	25	60653W	O-Ring	2	2
11	86596W	O-Ring	1	1					
12	1314420W	Shaft, Brake	1	1					
13	87287W	O-Ring	1	1					
14	2301078W	Piston, Brake	1	1					

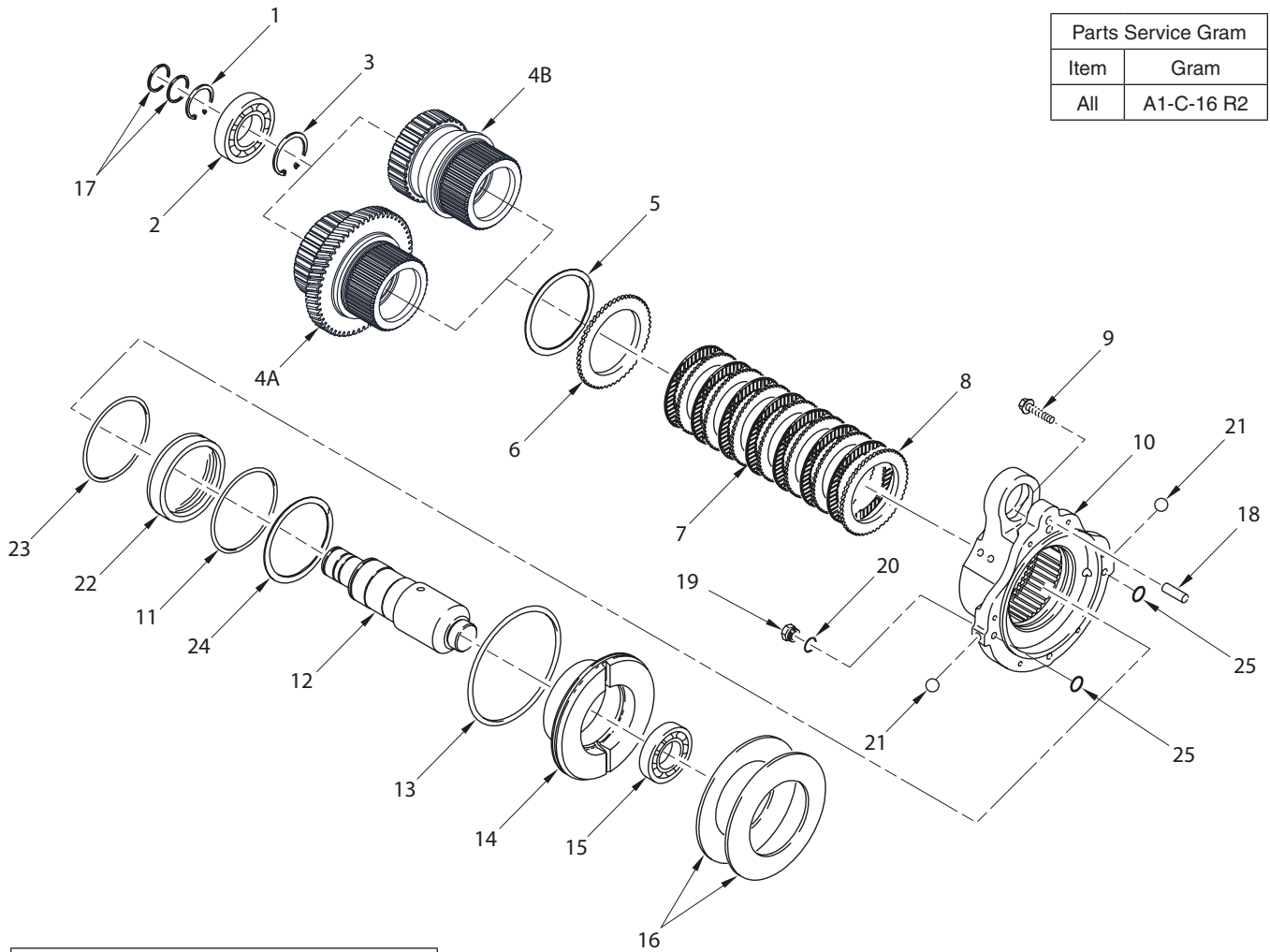
*a Use 313022W Sealant

*b Refer to Winch Parts Service Bulletin A1-C-16 R2

Brake - PFO

(Gear Ratio Codes 1 & 2)
 Last Used on S/N AW3C-2178
 Fiat-Hitach/New Holland
 Page 1 of 2

Parts Service Gram	
Item	Gram
All	A1-C-16 R2



Recommended Service Kit		
Item	Kit No.	Section
7, 8, 11, 13, 17, 20, 23, 25	2300576W	5-1

Brake - PFO
 (Gear Ratio Codes 1 & 2)
 Last Used on S/N AW3C-2178
 Fiat-Hitach/New Holland
 Page 2 of 2

Key

A - Low PTO Input } Refer to page 0-7 for details
 B - High PTO input }

Item	Part No.	Description	Qty		Item	Part No.	Description	Qty	
			A	B				A	B
1	12891W	Ring, Snap	1	1	15	43208W	Bearing	1	1
2	41308W	Bearing, Ball	1	1	16	219084W	Spring	2	2
3	1314580W	Ring, Snap	1	1	17	346677W	Ring, Seal	2	2
4A	1314418W	Hub, Brake, 32 & 55T	1	--	18	19959W	Pin	1	1
4B	1314415W	Hub, Brake, 32T	--	1	19	14594W	Fitting	1	1
5	334475W	Ring, Snap	1	1	20	16483W	O-Ring	1	1
6	334442W	Plate, Pressure	1	1	21	NSS	Ball, Steel	2	2
7	*b 346796W	Plate, Friction	7	7	22	2300221W	Spacer	1	1
8	*b 334417W	Plate, Separator	7	7	23	39756W	O-Ring	1	1
9	2300587W	Capscrew	2	2	24	139385W	Ring, Snap	1	1
10	*a 2300226W	Housing, Brake	1	1	25	60653W	O-Ring	2	2
11	86596W	O-Ring	1	1					
12	1314420W	Shaft, Brake	1	1					
13	87287W	O-Ring	1	1					
14	2301078W	Piston, Brake	1	1					

*a Use 313022W Sealant

*b Refer to Winch Parts Service Bulletin A1-C-16 R2

Brake

(Gear Ratio Code 2)

PFR

First Used on S/N AW3C-1000

PFO

First Used on S/N AW3C-1844

Caterpillar D3/4/5B&C DD & PS, D4H, D5H & D5M

First Used on S/N AW3C-1997

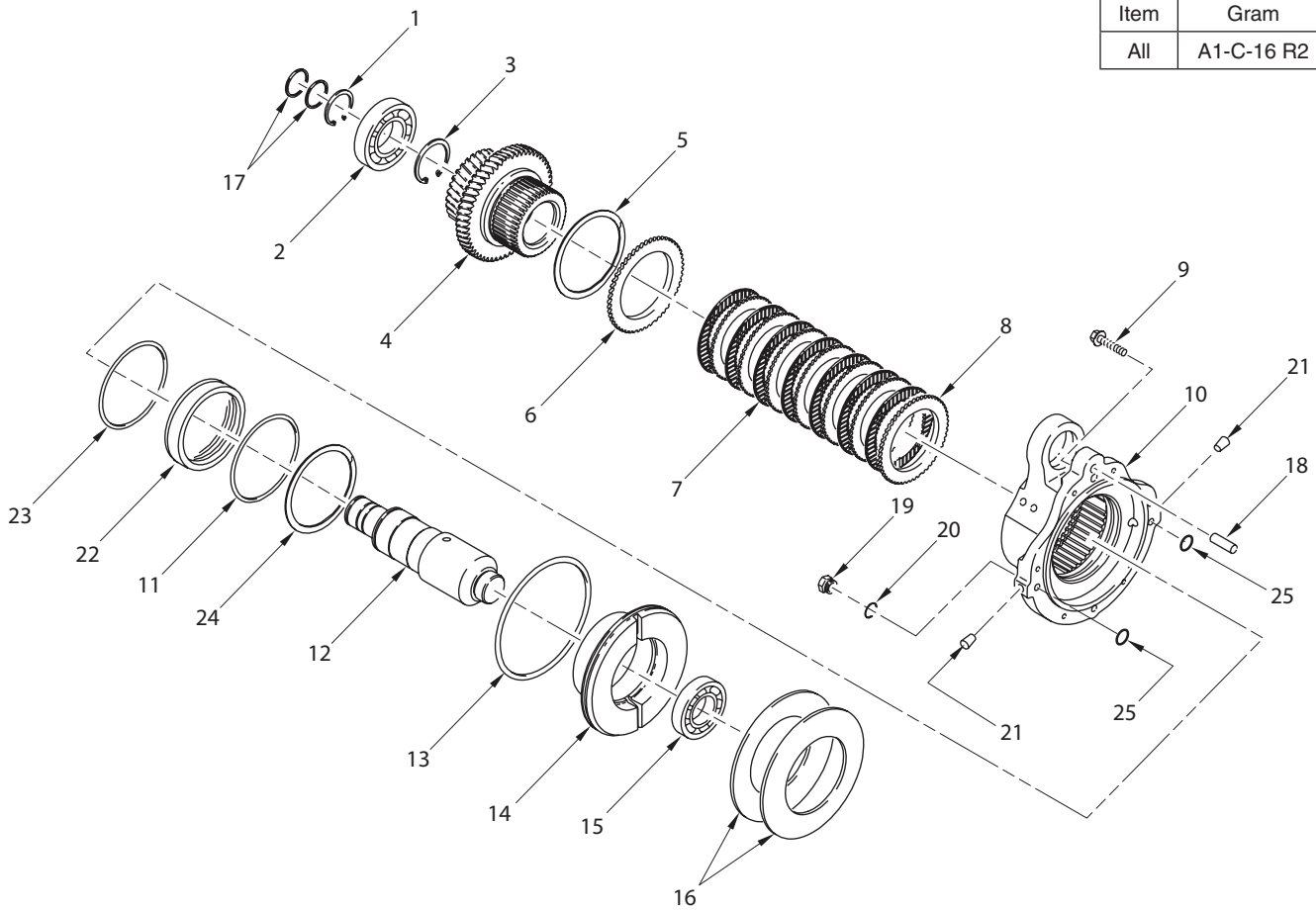
Caterpillar D3/4/5C Hystat

First Used on S/N AW3C-2179

Caterpillar D4E

Page 2 of 2

Parts Service Gram	
Item	Gram
All	A1-C-16 R2



Recommended Service Kit		
Item	Kit No.	Section
7, 8, 11, 13, 17, 20, 23, 25	2300576W	5-1

Brake

(Gear Ratio Code 2)

PFR

First Used on S/N AW3C-1000

PFO

First Used on S/N AW3C-1844

Caterpillar D3/4/5B&C DD & PS, D4H, D5H & D5M, Dresser/Dressta, Komatsu D32/38/39

First Used on S/N AW3C-1997

Caterpillar D3/4/5C Hystat, John Deere, Komatsu D31/37

First Used on S/N AW3C-2179

Caterpillar D4E, Case and Fiat-Hitachi/New Holland

Key

A - PFR High Input } Refer to page 0-7 for details
 B - PFO High input }
 C - Low Input

Item	Part No.	Description	Qty			Item	Part No.	Description	Qty		
			A	B	C				A	B	C
1	12891W	Ring, Snap	1	1	1	15	43208W	Bearing	1	1	1
2	41308W	Bearing	1	1	1	16	219084W	Spring	2	2	2
3	1314580W	Ring, Snap	1	1	1	17	346677W	Ring, Seal	2	2	2
4	1314418W	Hub, Brake -32 & 55T --	--	--	1	18	19959W	Pin	1	1	1
5	334475W	Ring, Snap	1	1	1	19	14594W	Fitting	1	1	1
6	334442W	Plate, Pressure	1	1	1	20	16483W	O-Ring	1	1	1
7	*b 346796W	Plate, Friction	7	7	7	21	268492W	Fitting	2	2	2
	*b, *c 2304873W	Plate, Friction	7	7	7	22	2300221W	Spacer	1	1	1
8	*c 334417W	Plate, Separator	7	7	7	23	39756W	O-Ring	1	1	1
	*b, *c 2304874W	Plate, Separator	7	7	7	24	139385W	Ring, Snap	1	1	1
9	2300296W	Capscrew	2	2	2	25	60653W	O-Ring	2	2	2
10	*a 2300843W	Housing, Brake	1	1	1						
11	86596W	O-Ring	1	1	1						
12	1314420W	Shaft, Brake	1	1	1						
13	87287W	O-Ring	1	1	1						
14	2301078W	Piston, Brake	1	1	1						

*a Use 313022W Adhesive
 *b Refer to Winch Parts Service Bulletin A1-C-16 R2
 *c First Used on S/N AW3C-2541

Brake

(Gear Ratio Code 2)

PFR

First Used on S/N AW3C-1000

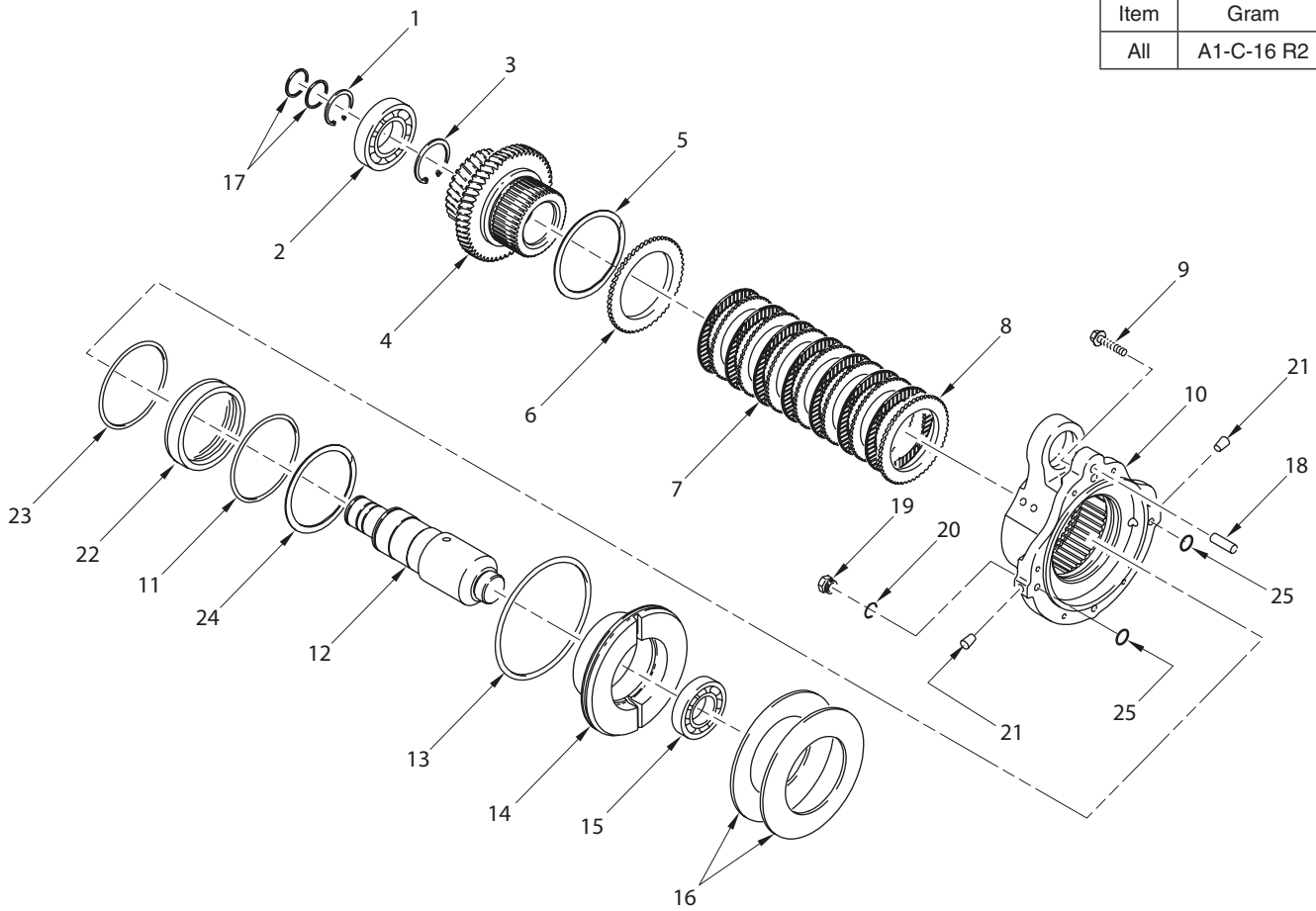
PFO

First Used on S/N AW3C-1844

Dresser/Dressta

Page 1 of 2

Parts Service Gram	
Item	Gram
All	A1-C-16 R2



Recommended Service Kit		
Item	Kit No.	Section
7, 8, 11, 13, 17, 20, 23, 25	2300576W	5-1

Brake

(Gear Ratio Code 2)

PFR

First Used on S/N AW3C-1000

PFO

First Used on S/N AW3C-1844

Dresser/Dressta

Page 2 of 2

Key

A - PFR High Input } Refer to page 0-7 for details
 B - PFO High input }
 C - Low Input

Item	Part No.	Description	Qty			Item	Part No.	Description	Qty		
			A	B	C				A	B	C
1	12891W	Ring, Snap	1	1	1	15	43208W	Bearing	1	1	1
2	41308W	Bearing	1	1	1	16	219084W	Spring	2	2	2
3	1314580W	Ring, Snap	1	1	1	17	346677W	Ring, Seal	2	2	2
4	1314418W	Hub, Brake -32 & 55T --	--	--	1	18	19959W	Pin	1	1	1
5	334475W	Ring, Snap	1	1	1	19	14594W	Fitting	1	1	1
6	334442W	Plate, Pressure	1	1	1	20	16483W	O-Ring	1	1	1
7	*b 346796W	Plate, Friction	7	7	7	21	268492W	Fitting	2	2	2
	*b, *c 2304873W	Plate, Friction	7	7	7	22	2300221W	Spacer	1	1	1
8	*c 334417W	Plate, Separator	7	7	7	23	39756W	O-Ring	1	1	1
	*b, *c 2304874W	Plate, Separator	7	7	7	24	139385W	Ring, Snap	1	1	1
9	2300296W	Capscrew	2	2	2	25	60653W	O-Ring	2	2	2
10	*a 2300843W	Housing, Brake	1	1	1						
11	86596W	O-Ring	1	1	1						
12	1314420W	Shaft, Brake	1	1	1						
13	87287W	O-Ring	1	1	1						
14	2301078W	Piston, Brake	1	1	1						

*a Use 313022W Adhesive
 *b Refer to Winch Parts Service Bulletin A1-C-16 R2
 *c First Used on S/N AW3C-2541

2-30

Brake

(Gear Ratio Code 2)

PFR

First Used on S/N AW3C-1000

PFO

First Used on S/N AW3C-1844

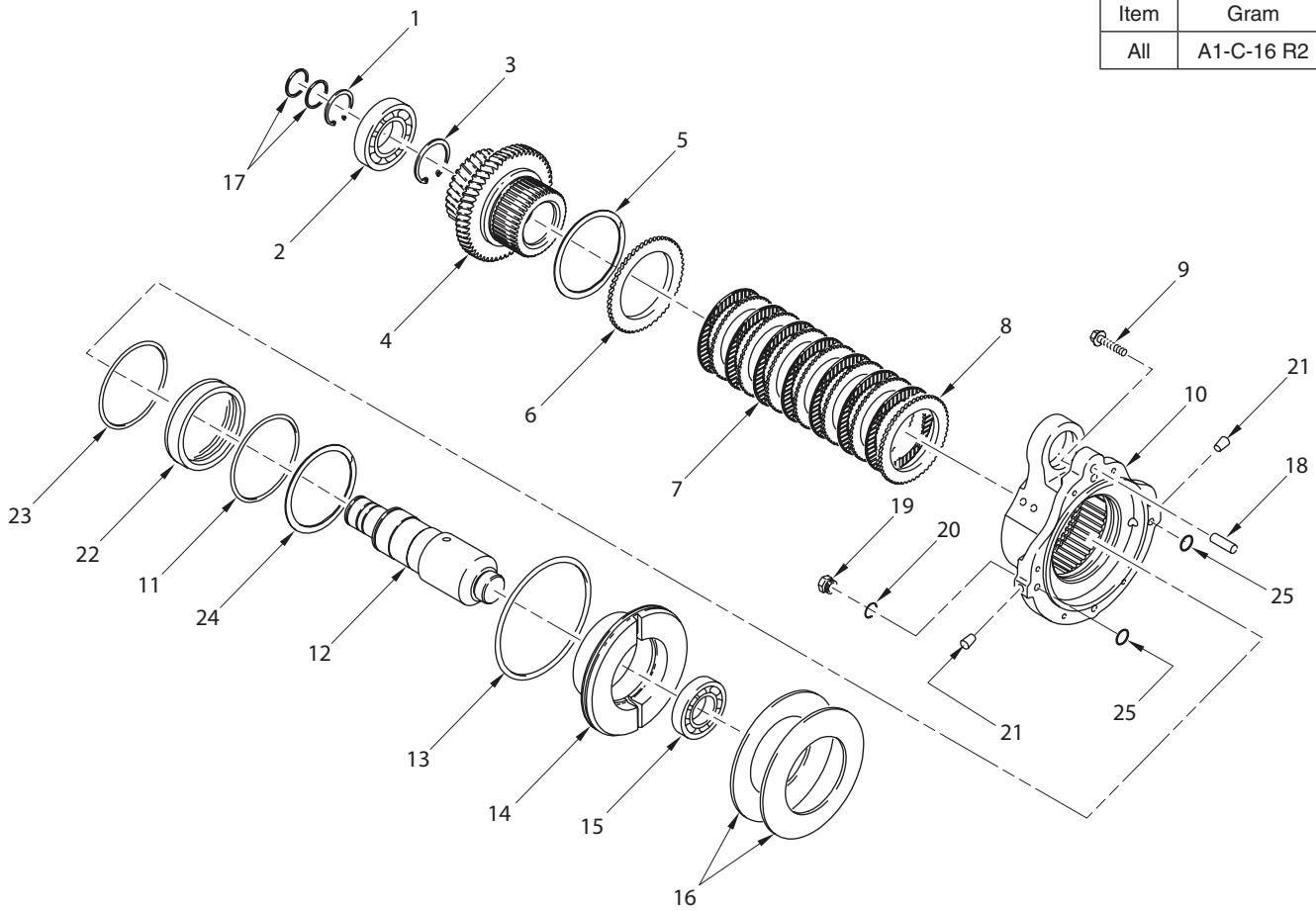
Komatsu D32/38/39

First Used on S/N AW3C-1997

Komatsu D31/37

Page 1 of 2

Parts Service Gram	
Item	Gram
All	A1-C-16 R2



Recommended Service Kit		
Item	Kit No.	Section
7, 8, 11, 13, 17, 20, 23, 25	2300576W	5-1

Brake

(Gear Ratio Code 2)

PFR

First Used on S/N AW3C-1000

PFO

First Used on S/N AW3C-1844

Komatsu D32/38/39

First Used on S/N AW3C-1997

Komatsu D31/37

Page 2 of 2

Key

A - PFR High Input } Refer to page 0-7 for details
 B - PFO High input }
 C - Low Input

Item	Part No.	Description	Qty			Item	Part No.	Description	Qty		
			A	B	C				A	B	C
1	12891W	Ring, Snap	1	1	1	15	43208W	Bearing	1	1	1
2	41308W	Bearing	1	1	1	16	219084W	Spring	2	2	2
3	1314580W	Ring, Snap	1	1	1	17	346677W	Ring, Seal	2	2	2
4	1314418W	Hub, Brake -32 & 55T --	--	--	1	18	19959W	Pin	1	1	1
5	334475W	Ring, Snap	1	1	1	19	14594W	Fitting	1	1	1
6	334442W	Plate, Pressure	1	1	1	20	16483W	O-Ring	1	1	1
7	*b 346796W	Plate, Friction	7	7	7	21	268492W	Fitting	2	2	2
	*b, *c 2304873W	Plate, Friction	7	7	7	22	2300221W	Spacer	1	1	1
8	*c 334417W	Plate, Separator	7	7	7	23	39756W	O-Ring	1	1	1
	*b, *c 2304874W	Plate, Separator	7	7	7	24	139385W	Ring, Snap	1	1	1
9	2300296W	Capscrew	2	2	2	25	60653W	O-Ring	2	2	2
10	*a 2300843W	Housing, Brake	1	1	1						
11	86596W	O-Ring	1	1	1						
12	1314420W	Shaft, Brake	1	1	1						
13	87287W	O-Ring	1	1	1						
14	2301078W	Piston, Brake	1	1	1						

*a Use 313022W Adhesive

*b Refer to Winch Parts Service Bulletin A1-C-16 R2

*c First Used on S/N AW3C-2541

Brake

(Gear Ratio Code 2)

PFR

First Used on S/N AW3C-1000

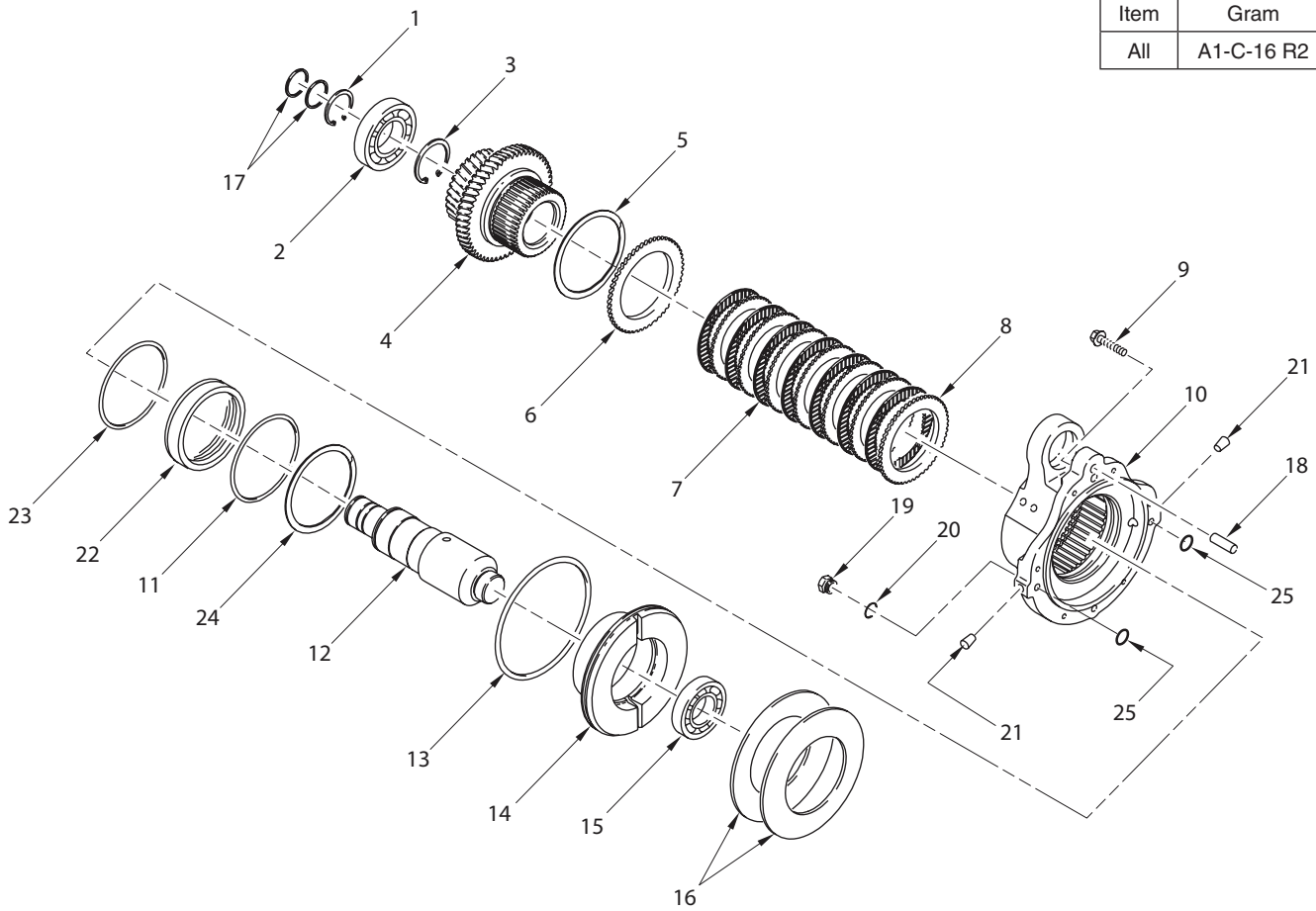
PFO

First Used on S/N AW3C-1997

John Deere

Page 2 of 2

Parts Service Gram	
Item	Gram
All	A1-C-16 R2



Recommended Service Kit		
Item	Kit No.	Section
7, 8, 11, 13, 17, 20, 23, 25	2300576W	5-1

Brake

(Gear Ratio Code 2)

PFR

First Used on S/N AW3C-1000

PFO

First Used on S/N AW3C-1997

John Deere

Page 2 of 2

Key

A - PFR High Input } Refer to page 0-7 for details
 B - PFO High input }
 C - Low Input

Item	Part No.	Description	Qty			Item	Part No.	Description	Qty		
			A	B	C				A	B	C
1	12891W	Ring, Snap	1	1	1	15	43208W	Bearing	1	1	1
2	41308W	Bearing	1	1	1	16	219084W	Spring	2	2	2
3	1314580W	Ring, Snap	1	1	1	17	346677W	Ring, Seal	2	2	2
4	1314418W	Hub, Brake -32 & 55T --	--	--	1	18	19959W	Pin	1	1	1
5	334475W	Ring, Snap	1	1	1	19	14594W	Fitting	1	1	1
6	334442W	Plate, Pressure	1	1	1	20	16483W	O-Ring	1	1	1
7	*b 346796W	Plate, Friction	7	7	7	21	268492W	Fitting	2	2	2
	*b, *c 2304873W	Plate, Friction	7	7	7	22	2300221W	Spacer	1	1	1
8	*c 334417W	Plate, Separator	7	7	7	23	39756W	O-Ring	1	1	1
	*b, *c 2304874W	Plate, Separator	7	7	7	24	139385W	Ring, Snap	1	1	1
9	2300296W	Capscrew	2	2	2	25	60653W	O-Ring	2	2	2
10	*a 2300843W	Housing, Brake	1	1	1						
11	86596W	O-Ring	1	1	1						
12	1314420W	Shaft, Brake	1	1	1						
13	87287W	O-Ring	1	1	1						
14	2301078W	Piston, Brake	1	1	1						

*a Use 313022W Adhesive
 *b Refer to Winch Parts Service Bulletin A1-C-16 R2
 *c First Used on S/N AW3C-2541

2-34

Brake

(Gear Ratio Code 2)

PFR

First Used on S/N AW3C-1000

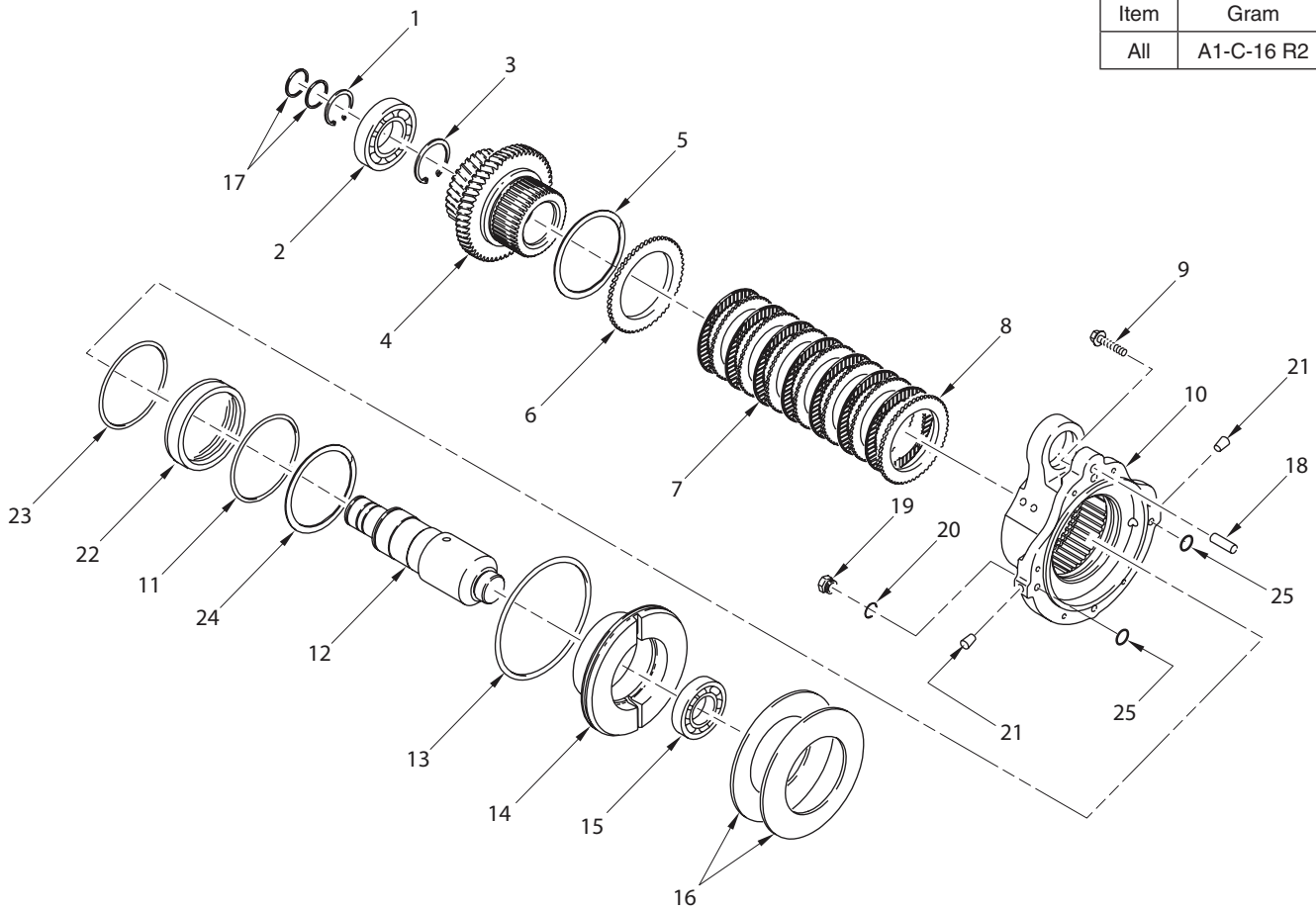
PFO

First Used on S/N AW3C-2179

Case

Page 1 of 2

Parts Service Gram	
Item	Gram
All	A1-C-16 R2



Recommended Service Kit		
Item	Kit No.	Section
7, 8, 11, 13, 17, 20, 23, 25	2300576W	5-1

Brake

(Gear Ratio Code 2)

PFR

First Used on S/N AW3C-1000

PFO

First Used on S/N AW3C-2179

Case

Page 2 of 2

Key

A - PFR High Input } Refer to page 0-7 for details
 B - PFO High input }
 C - Low Input

Item	Part No.	Description	Qty			Item	Part No.	Description	Qty		
			A	B	C				A	B	C
1	12891W	Ring, Snap	1	1	1	15	43208W	Bearing	1	1	1
2	41308W	Bearing	1	1	1	16	219084W	Spring	2	2	2
3	1314580W	Ring, Snap	1	1	1	17	346677W	Ring, Seal	2	2	2
4	1314418W	Hub, Brake -32 & 55T --	--	--	1	18	19959W	Pin	1	1	1
5	334475W	Ring, Snap	1	1	1	19	14594W	Fitting	1	1	1
6	334442W	Plate, Pressure	1	1	1	20	16483W	O-Ring	1	1	1
7	*b 346796W	Plate, Friction	7	7	7	21	268492W	Fitting	2	2	2
	*b, *c 2304873W	Plate, Friction	7	7	7	22	2300221W	Spacer	1	1	1
8	*c 334417W	Plate, Separator	7	7	7	23	39756W	O-Ring	1	1	1
	*b, *c 2304874W	Plate, Separator	7	7	7	24	139385W	Ring, Snap	1	1	1
9	2300296W	Capscrew	2	2	2	25	60653W	O-Ring	2	2	2
10	*a 2300843W	Housing, Brake	1	1	1						
11	86596W	O-Ring	1	1	1						
12	1314420W	Shaft, Brake	1	1	1						
13	87287W	O-Ring	1	1	1						
14	2301078W	Piston, Brake	1	1	1						

*a Use 313022W Adhesive
 *b Refer to Winch Parts Service Bulletin A1-C-16 R2
 *c First Used on S/N AW3C-2541

2-36

Brake

(Gear Ratio Code 2)

PFR

First Used on S/N AW3C-1000

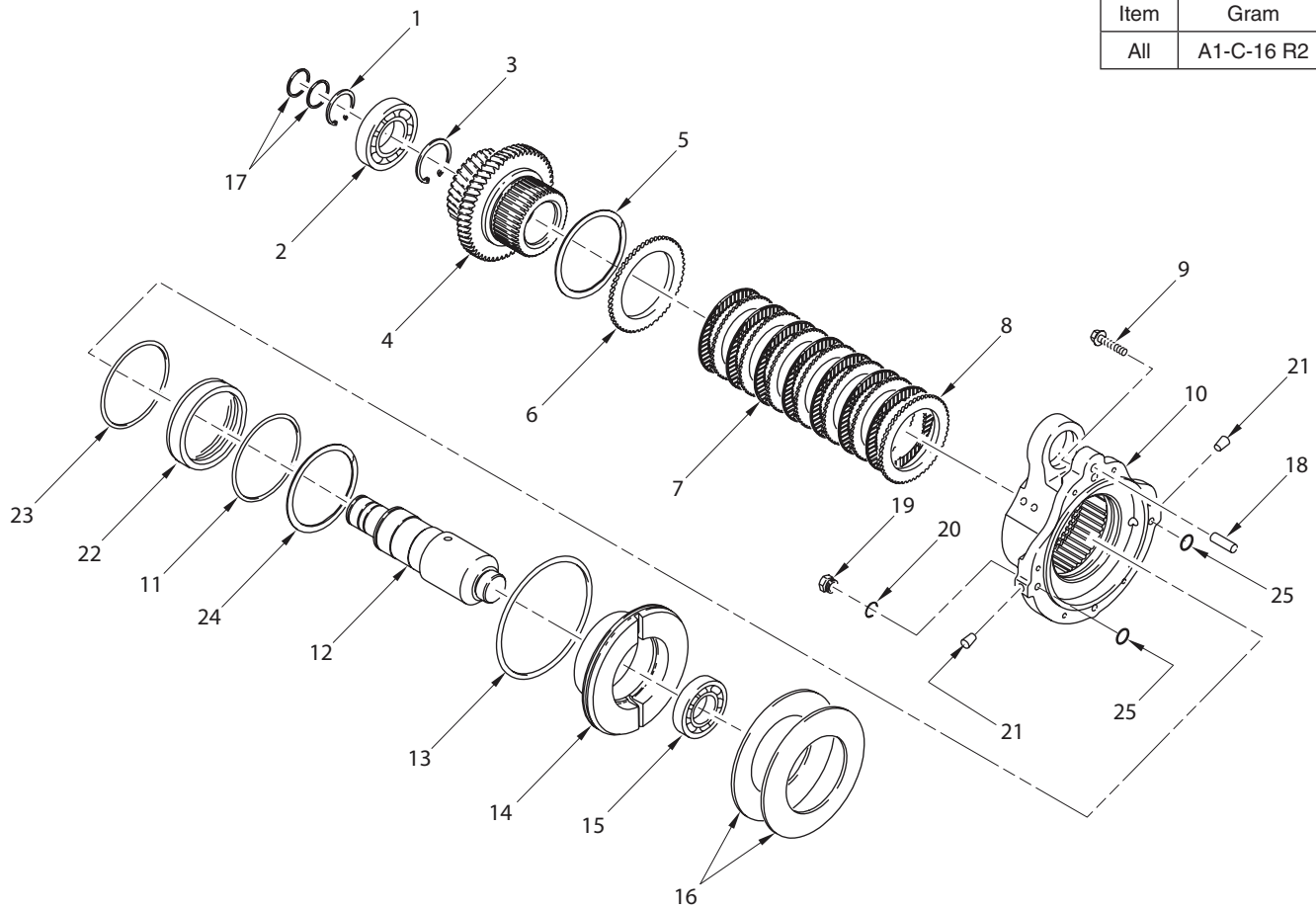
PFO

First Used on S/N AW3C-2179

Fiat-Hitachi/New Holland

Page 1 of 2

Parts Service Gram	
Item	Gram
All	A1-C-16 R2



Recommended Service Kit		
Item	Kit No.	Section
7, 8, 11, 13, 17, 20, 23, 25	2300576W	5-1

Brake

(Gear Ratio Code 2)

PFR

First Used on S/N AW3C-1000

PFO

First Used on S/N AW3C-2179

Fiat-Hitachi/New Holland

Page 2 of 2

Key

A - PFR High Input } Refer to page 0-7 for details
 B - PFO High input }
 C - Low Input

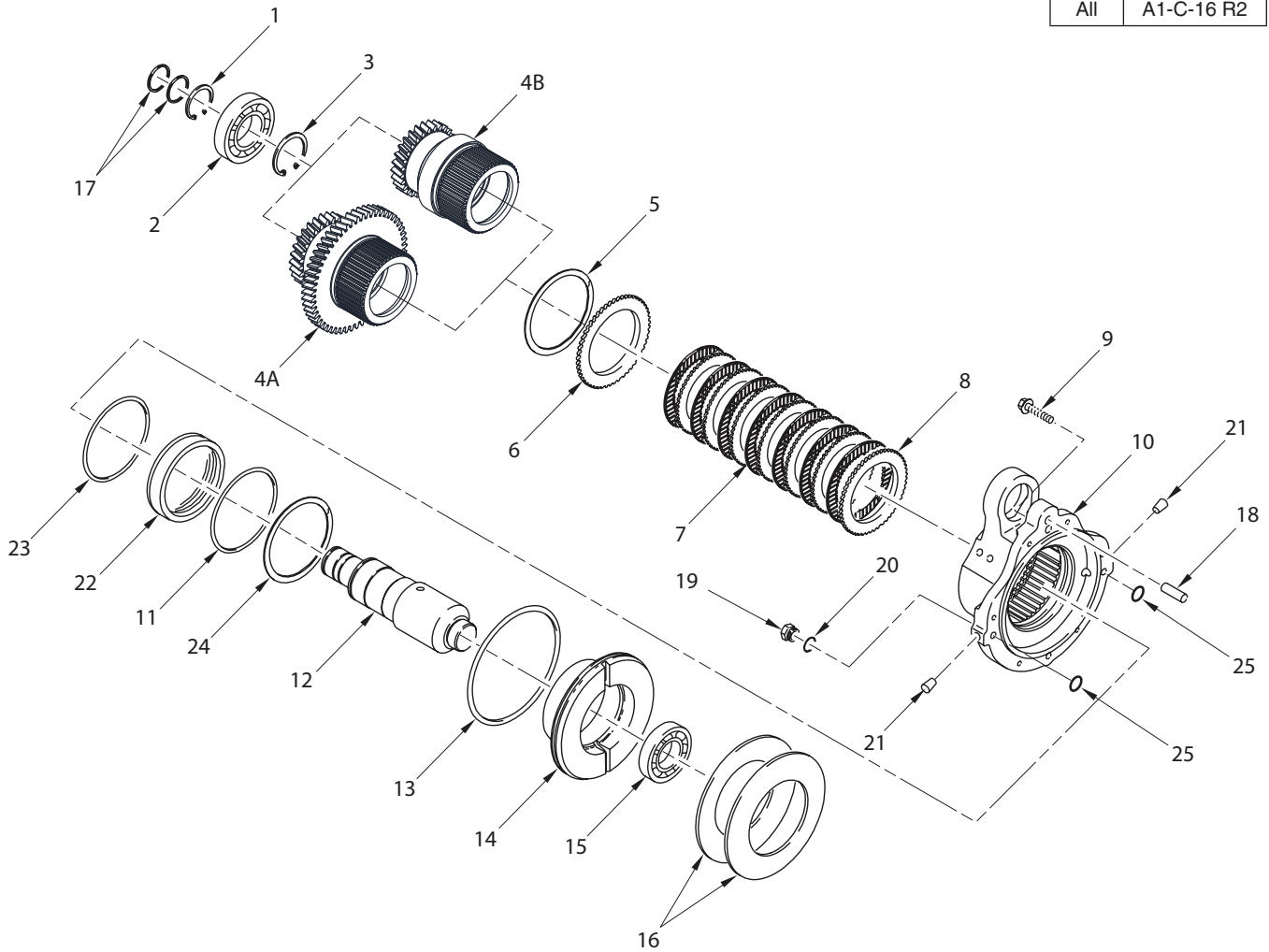
Item	Part No.	Description	Qty			Item	Part No.	Description	Qty		
			A	B	C				A	B	C
1	12891W	Ring, Snap	1	1	1	15	43208W	Bearing	1	1	1
2	41308W	Bearing	1	1	1	16	219084W	Spring	2	2	2
3	1314580W	Ring, Snap	1	1	1	17	346677W	Ring, Seal	2	2	2
4	1314418W	Hub, Brake -32 & 55T --	--	--	1	18	19959W	Pin	1	1	1
5	334475W	Ring, Snap	1	1	1	19	14594W	Fitting	1	1	1
6	334442W	Plate, Pressure	1	1	1	20	16483W	O-Ring	1	1	1
7	*b 346796W	Plate, Friction	7	7	7	21	268492W	Fitting	2	2	2
	*b, *c 2304873W	Plate, Friction	7	7	7	22	2300221W	Spacer	1	1	1
8	*c 334417W	Plate, Separator	7	7	7	23	39756W	O-Ring	1	1	1
	*b, *c 2304874W	Plate, Separator	7	7	7	24	139385W	Ring, Snap	1	1	1
9	2300296W	Capscrew	2	2	2	25	60653W	O-Ring	2	2	2
10	*a 2300843W	Housing, Brake	1	1	1						
11	86596W	O-Ring	1	1	1						
12	1314420W	Shaft, Brake	1	1	1						
13	87287W	O-Ring	1	1	1						
14	2301078W	Piston, Brake	1	1	1						

*a Use 313022W Adhesive
 *b Refer to Winch Parts Service Bulletin A1-C-16 R2
 *c First Used on S/N AW3C-2541

Brake - PFR & PFO

A, B, K, L
 (Gear Ratio Codes 5 & 6)
 Page 1 of 2

Parts Service Gram	
Item	Gram
All	A1-C-16 R2



Recommended Service Kit		
Item	Kit No.	Section
7 (2304873W), 8 (2304874W), 11, 13, 17, 20, 23, 25	2300576W	5-1

Brake - PFR & PFO

A, B, K, L
(Gear Ratio Codes 5 & 6)
Page 2 of 2

Key

A - PFR High Input } Refer to page 0-7 for details
B - PFO High Input }
C - Low Input

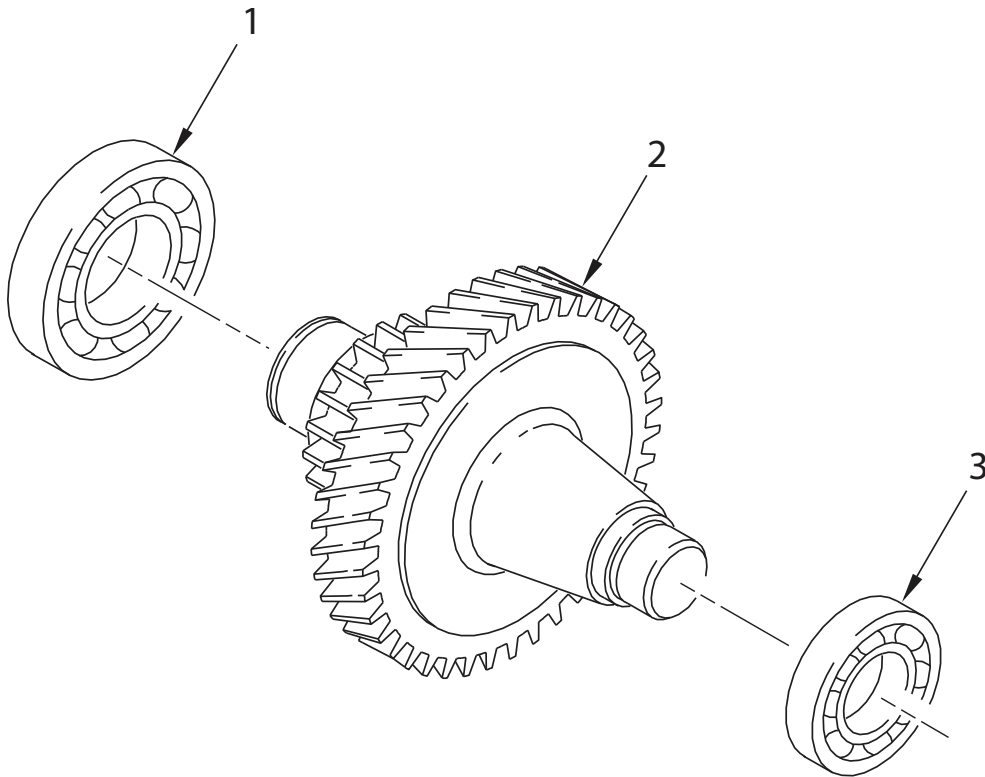
Item	Part No.	Description	Qty			Item	Part No.	Description	Qty		
			A	B	C				A	B	C
1	12891W	Ring, Snap	1	1	1	14	2301078W	Piston, Brake	1	1	1
2	41208W	Bearing, Ball	1	1	1	15	41208W	Bearing	1	1	1
3	1314580W	Ring, Snap	1	1	1	16	219084W	Spring	2	2	2
4A	2303154W	Hub, Brake-27 & 55T	1	--	1	17	346677W	Ring, Seal	2	2	2
4B	2303155W	Hub, Brake-27T	--	1	--	18	19959W	Pin	1	1	1
5	334475W	Ring, Snap	1	1	1	19	14595W	Fitting	1	1	1
6	334442W	Plate, Pressure	1	1	1	20	16484W	O-Ring	1	1	1
7	*c 346796W	Plate, Friction	7	7	7	21	268492W	Fitting, Pipe	2	2	2
8	c, *b 2304873W	Plate, Friction	7	7	7	22	2300221W	Spacer	1	1	1
	*c 334417W	Plate, Separator	7	7	7	23	39756W	O-Ring	1	1	1
	*c, *b 2304874W	Plate, Separator	7	7	7	24	139385W	Ring, Snap	1	1	1
9	2300587W	Capscrew	2	2	2	25	60653W	O-Ring	2	2	2
10	*a 2300843W	Housing, Brake	1	1	1						
11	86596W	O-Ring	1	1	1						
12	1314420W	Shaft, Brake	1	1	1						
13	87287W	O-Ring	1	1	1						

*a Use 313022W Adhesive

*b First Used on S/N AW3C-2541

*c Refer to Winch Parts Service Bulletin A1-C-16 R2

Intermediate Shaft



Key

A - PFO (30:1 & 40:1)

B - PFR (30:1 & 40:1)

C - PFO & PFR (39:1 & 61:1)

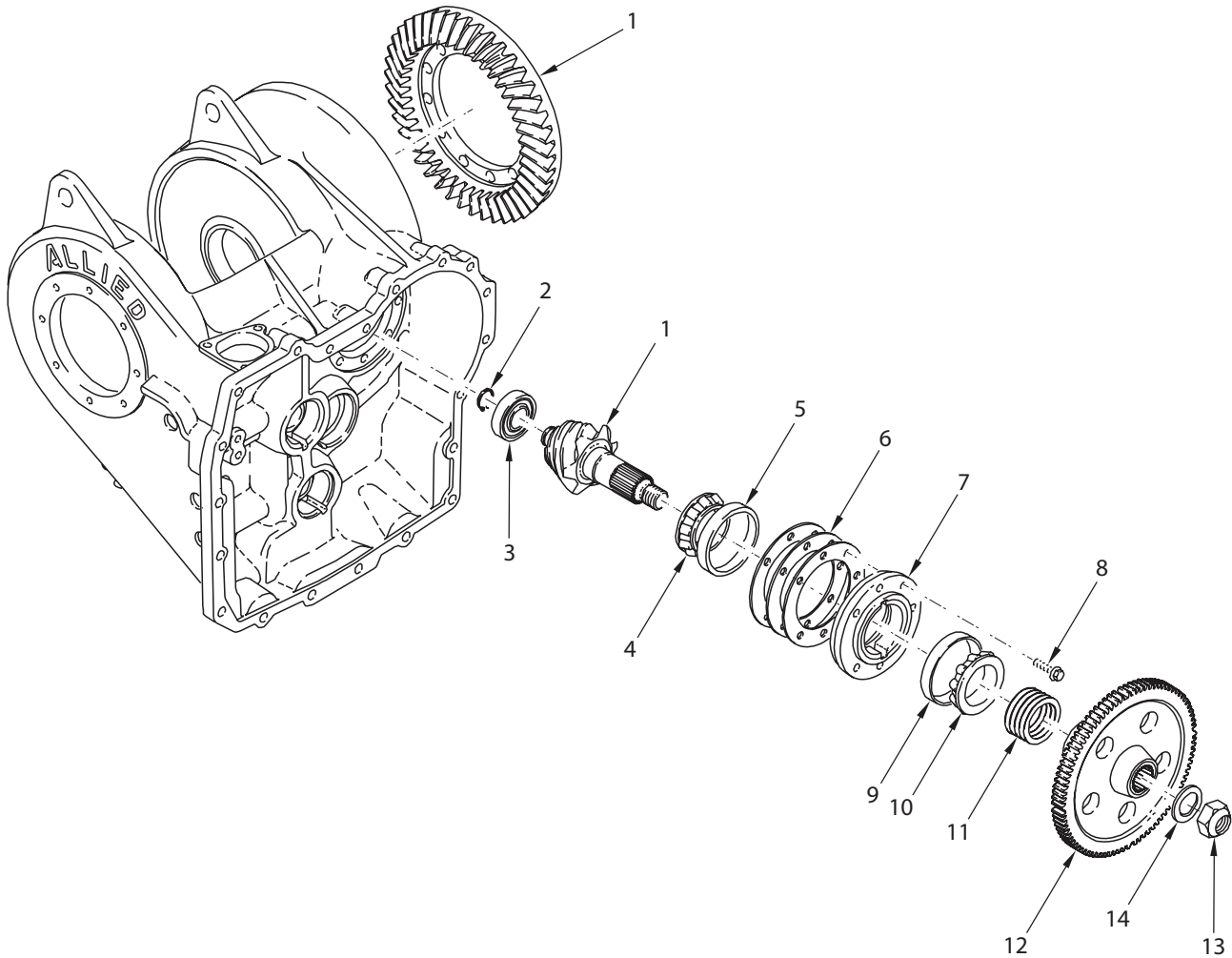
} Refer to page 0-7 for details

Item	Part No.	Description	Qty			Item	Part No.	Description	Qty		
			A	B	C				A	B	C
1	41308W	Bearing, Ball	1	1	1	2	2303152W	Shaft, Intermediate	--	--	1
2	1314586W	Shaft, Intermediate	1	--	--	3	43206W	Bearing	1	1	1
2	2300844W	Shaft, Intermediate	--	1	--						

Ring/Pinion

Last Used on S/N AW3CP1A-1244 (Gear Ratio Code 1)

Last Used on S/N AW3CP2A-1097 (Gear Ratio Code 2)



Key

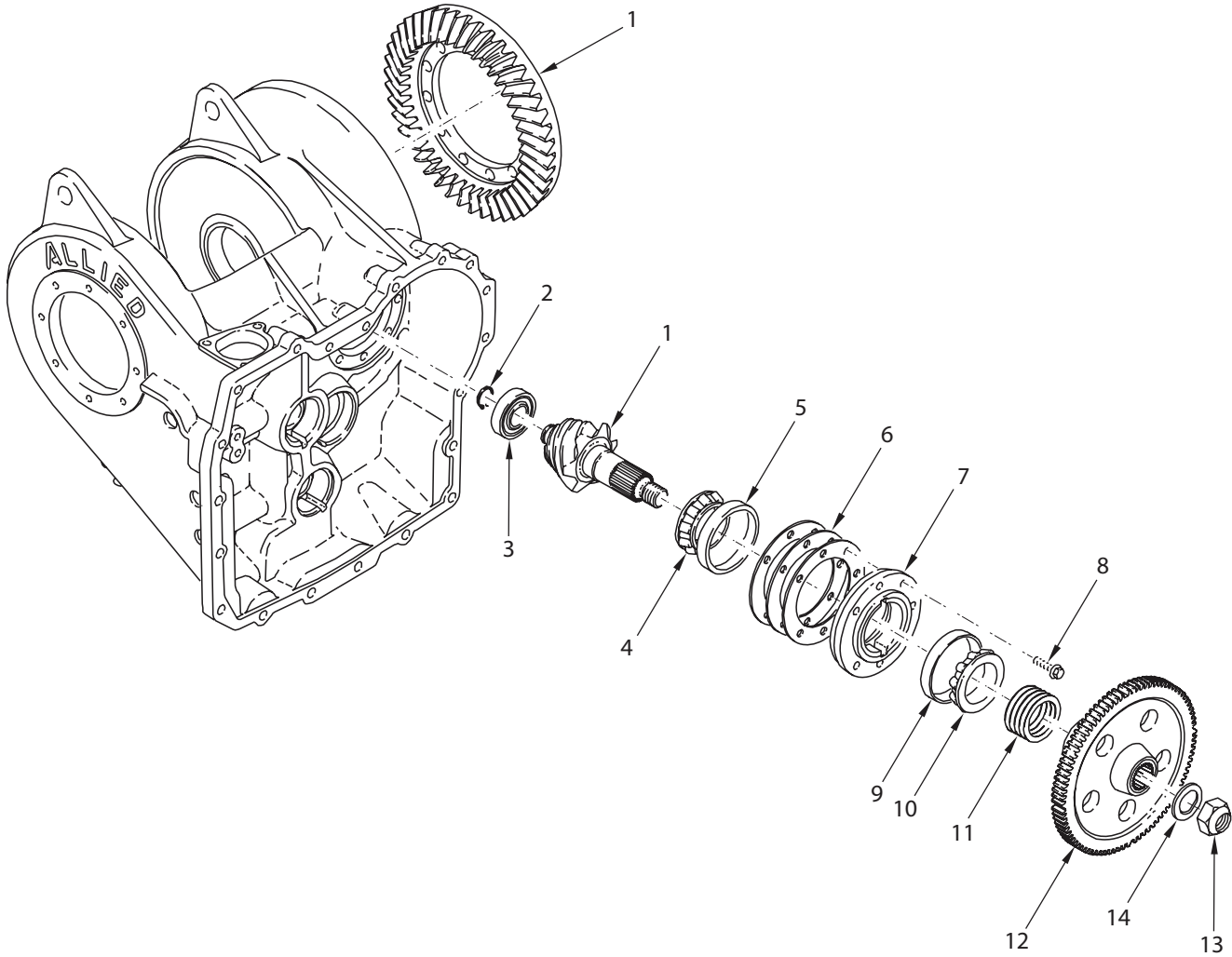
A - 30:1 Gear Ratio } Refer to page 0-7 for details
 B - 40:1 Gear Ratio }

Item	Part No.	Description	Qty		Item	Part No.	Description	Qty	
			A	B				A	B
1	1314456W	Set, Ring/Pinion	1	--	9	184473W	Cup, Roller Bearing	1	1
	1314459W	Set, Ring/Pinion	--	1		10	184472W	Cone, Roller Bearing	1
2	240683W	Ring, Snap - Ext	1	1	11	1314467W	Shim .015	AR	AR
3	296844W	Bearing, Roller	1	1		1314468W	Shim .018	AR	AR
4	143004W	Cone, Roller Bearing	1	1	1314433W	Shim .020	AR	AR	
5	200972W	Cup, Roller Bearing	1	1	1314434W	Shim .022	AR	AR	
6	1314473W	Shim .005	AR	AR	1314435W	Shim .025	AR	AR	
	1314474W	Shim .007	AR	AR	12	1314462W	Gear, 75 T	1	1
	1314475W	Shim .020	AR	AR		13	2300207W	Locknut	1
7	1314471W	Carrier, Pinion	1	1	14		15128W	Washer	1
8	398888W	Capscrew	7	7					

Ring/Pinion

First Used on S/N AW3CP-1245 (Gear Ratio Code 1)

First Used on S/N AW3CP-1098 (Gear Ratio Code 2)



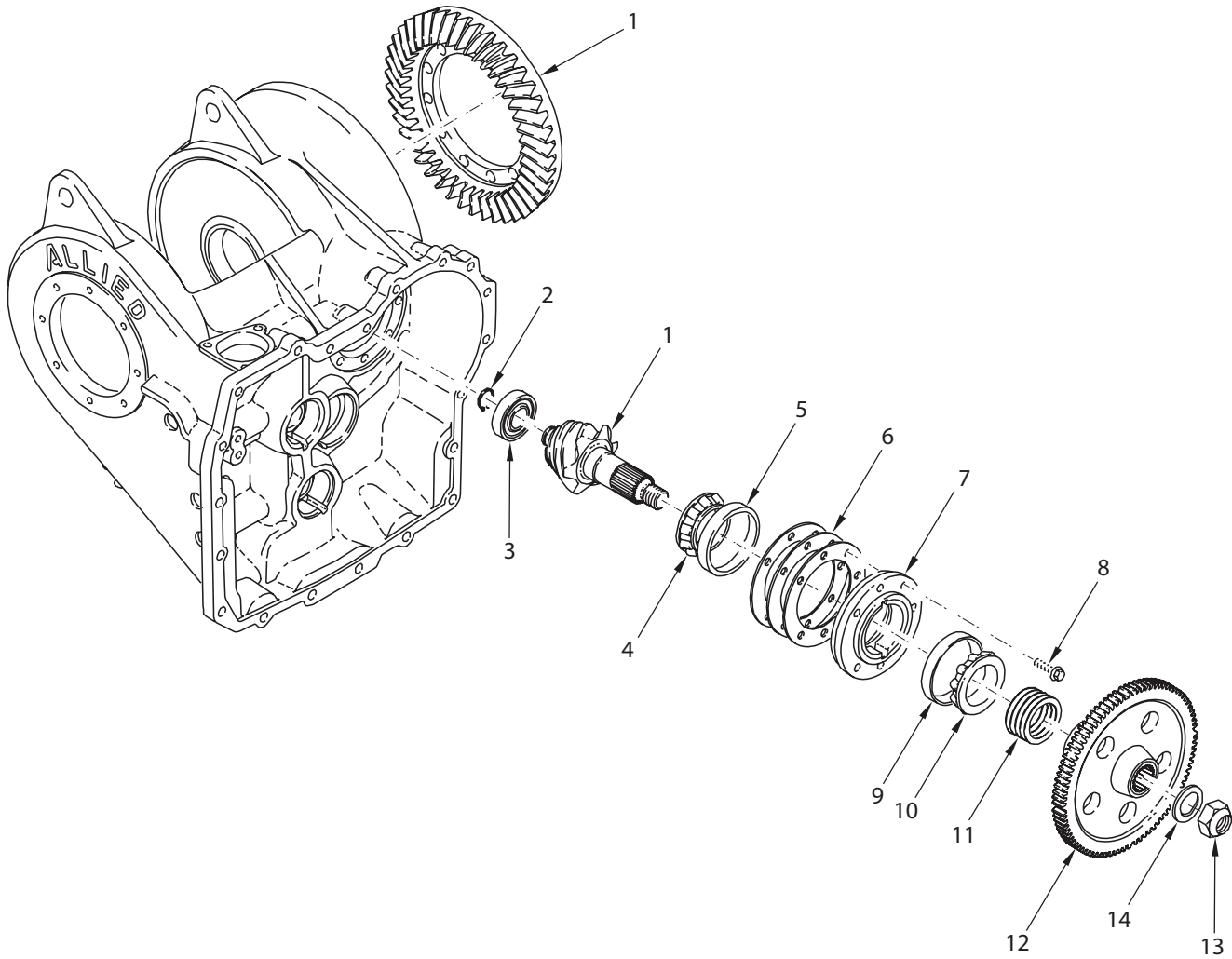
Key

A - 30:1 Gear Ratio

B - 40:1 Gear Ratio

Item	Part No.	Description	Qty		Item	Part No.	Description	Qty	
			A	B				A	B
1	2300482W	Set, Ring/Pinion	1	--	9	2300493W	Cup, Roller Bearing	1	1
	2300485W	Set, Ring/Pinion	--	1		10	2300494W	Cone, Roller Bearing	1
2	240683W	Ring, Snap - Ext	1	1	11	2300498W	Shim .015	AR	AR
3	296844W	Bearing, Roller	1	1		2300499W	Shim .018	AR	AR
4	2300492W	Cone, Roller Bearing	1	1		2300500W	Shim .020	AR	AR
5	2300496W	Cup, Roller Bearing	1	1		2300501W	Shim .022	AR	AR
6	1314473W	Shim .005	AR	AR		2300502W	Shim - .025	AR	AR
	1314474W	Shim .007	AR	AR	12	2300490W	Gear, 75 T	1	1
	1314475W	Shim .020	AR	AR		13	2300488W	Locknut	1
7	2300495W	Carrier, Pinion	1	1	14		2303610W	Washer	1
8	398888W	Capscrew	7	7					

Ring/Pinion
(Gear Ratio Codes 5 & 6)

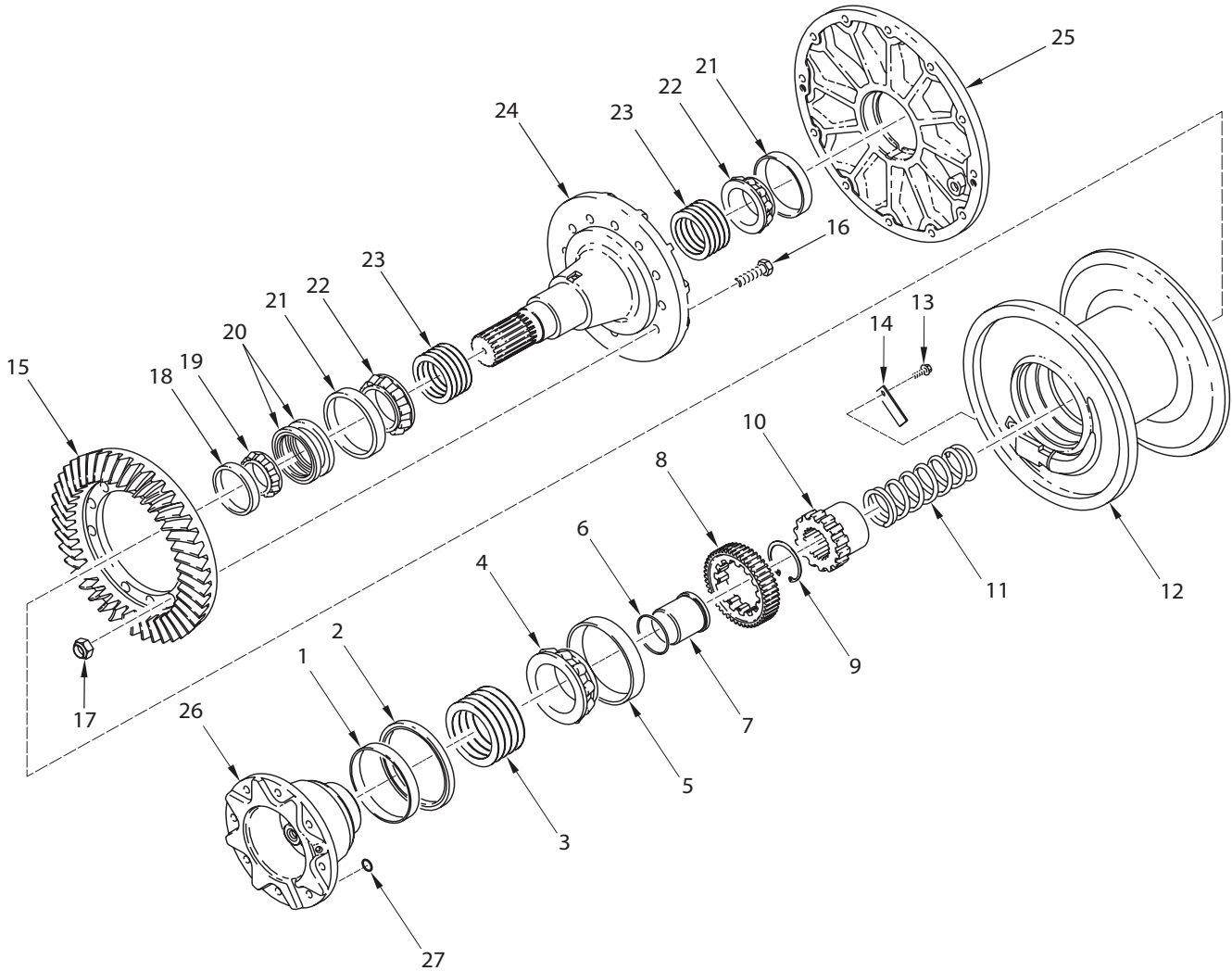


Key
A - 39:1 Gear Ratio
B - 61:1 Gear Ratio

Item	Part No.	Description	Qty		Item	Part No.	Description	Qty	
			A	B				A	B
1	2303160W	Set, Ring/Pinion	1	--	9	2300493W	Cup, Roller Bearing	1	1
	2300485W	Set, Ring/Pinion	--	1		10	2300494W	Cone, Roller Bearing	1
2	240683W	Ring, Snap - Ext	1	1	11	2300498W	Shim .015	AR	AR
3	296844W	Bearing, Roller	1	1		2300499W	Shim .018	AR	AR
4	2300492W	Cone, Roller Bearing	1	1	2300500W	Shim .020	AR	AR	
5	2300496W	Cup, Roller Bearing	1	1	2300501W	Shim .022	AR	AR	
	1314473W	Shim .005	AR	AR	2300502W	Shim .025	AR	AR	
6	1314474W	Shim .007	AR	AR	12	2303151W	Gear, 77 T	1	1
	1314475W	Shim .020	AR	AR		13	2300488W	Locknut	1
7	2300495W	Carrier, Pinion	1	1			14	2303610W	Washer
8	398888W	Capscrew	7	7					

Drum Shaft & Freespool

Page 1 of 2



Drum Shaft & Freespool

Item	Part No.	Description	Qty	Item	Part No.	Description	Qty
1	*a 1314777W	Sleeve, Seal	1	17	316828W	Nut	12
2	1314783W	Seal	1	18	137153W	Cup, Roller Bearing	1
3	1314680W	Shim .015	AR	19	137155W	Cone, Roller Bearing	1
	1314681W	Shim .018	AR	20	1314704W	Seal	2
	1314682W	Shim .020	AR	21	30190W	Cup, Roller Bearing	2
	1314683W	Shim .022	AR	22	1314483W	Cone, Roller Bearing	2
	1314684W	Shim .025	AR	23	1314485W	Shim .015	AR
4	1314686W	Cone, Roller Bearing	1		1314486W	Shim .018	AR
5	1314685W	Cup, Roller Bearing	1		1314487W	Shim .020	AR
6	33716W	O-Ring	1		1314488W	Shim .022	AR
7	2301037W	Piston, Freespool	1		1314470W	Shim .025	AR
8	1314496W	Ring, Torque	1	24	*b 2300534W	Shaft, Drum	1
9	37591W	Ring, Snap - Int	1		*c 2302433W	Shaft, Drum	1
10	*b 2302596W	Coupler, Freespool	1	25	-----	Cover - LH (See 1-2 thru 1-5)	1
	*c 2302435W	Coupler, Freespool	1	26	-----	Cover - RH (See 1-2 thru 1-5)	1
11	*d 2300425W	Spring	1	27	-----	O-Ring (See 1-2 thru 1-5)	1
	*e 2304710W	Spring	1				
12	1314491W	Drum	1		*a	Use 313022W Adhesive	
13	16805W	Capscrew	1		*b	Last Used on S/N AW3C-1719	
14	1314503W	Keeper, Ferrule	1		*c	First Used on S/N AW3C-1720	
15	-----	Gear, Ring (See 2-41 thru 2-43)	1		*d	Last Used on S/N AW3C-2653	
16	293688W	Capscrew	12		*e	First Used on S/N AW3C-2654	

Intentionally Blank

Hydraulics/Controls

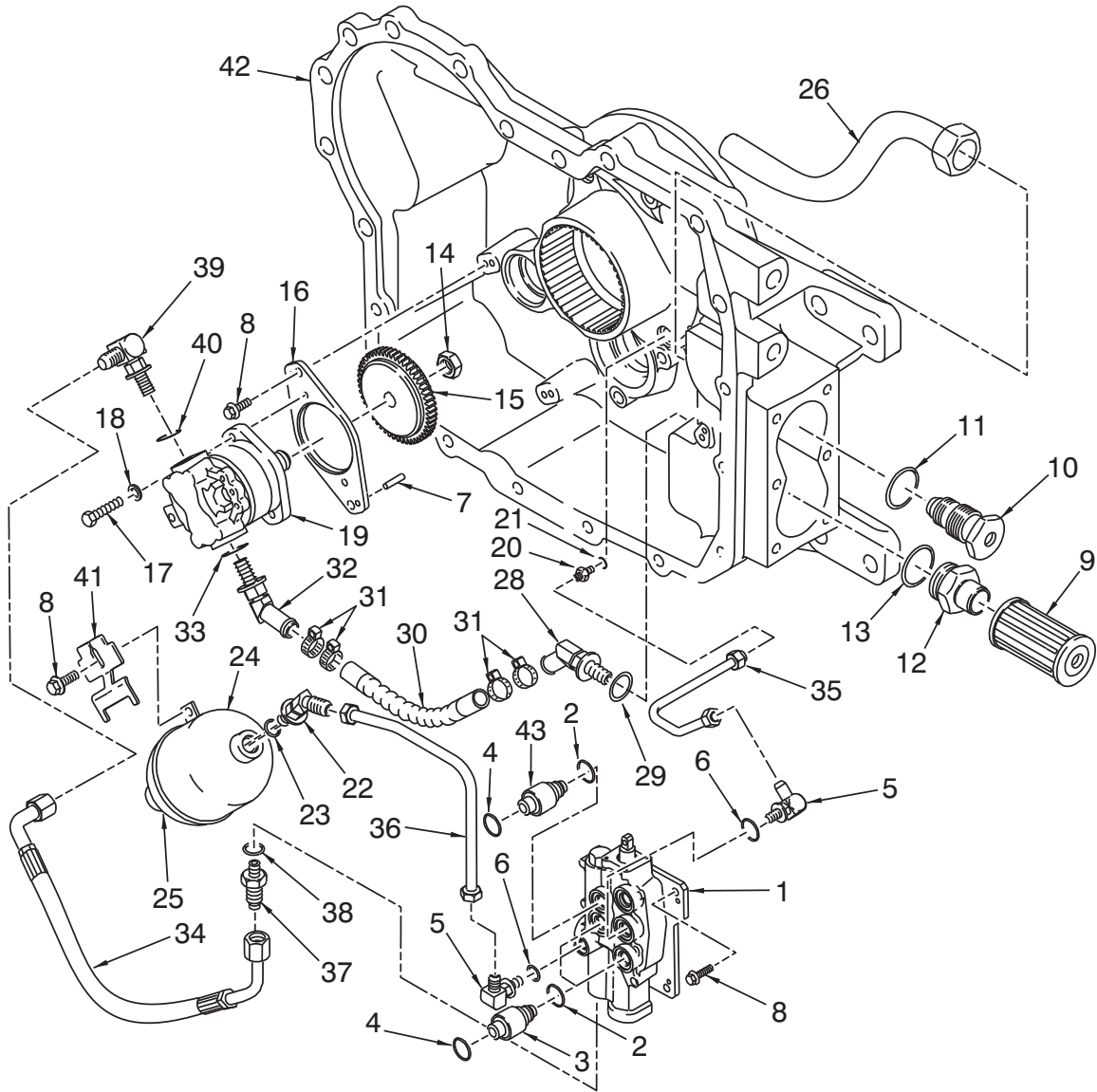
Control Valve	3-42 thru 3-89
PFO	3-42 thru 3-63
PFR	3-64 thru 3-89
Control Lever Assembly	3-142 thru 3-148
Handling Gear	3-92 thru 3-141
PFO	3-92 thru 3-109
Low PTO Input	3-110 thru 3-119
PFR	3-110 thru 3-118
PFO	3-119
High PTO Input	3-120 thru 3-141
PFR	3-120 thru 3-141
Hydraulics	3-2 thru 3-41
Low PTO Input	3-2 thru 3-17
PFO	3-2 thru 3-11
PFR	3-12 thru 3-17
High PTO Input	3-18 thru 3-41
PFO	3-18 thru 3-35
PFR	3-36 thru 3-41
Pump	3-90 & 3-91

Hydraulics - PFO

Low PTO Input

Last Used on S/N AW3C-1843

Page 1 of 2



Recommended Service Kit		
Item	Kit No.	Section
2, 6, 11, 21, 23	2300576W	5-1
2, 4	2303047W	5-1

Hydraulics - PFO

Low PTO Input

Last Used on S/N AW3C-1843

Page 2 of 2

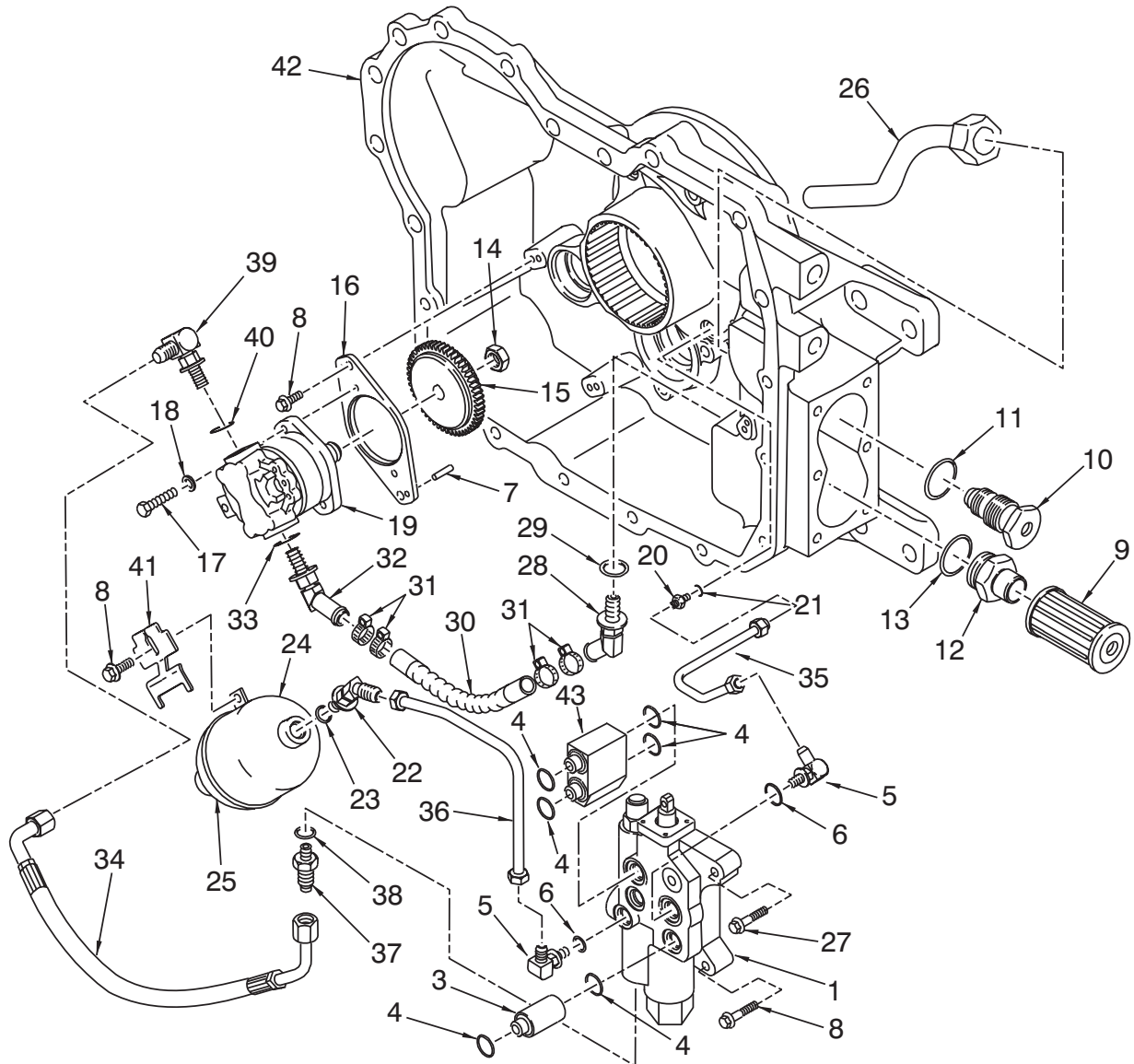
Item	Part No.	Description	Qty	Item	Part No.	Description	Qty
1	-----	Valve, Control (See 3-42 thru 3-89)	1	25	1300812W	Clamp	1
2	16484W	O-Ring	3		*a 2302109W	Clamp	1
3	2302839W	Fitting	2	26	2301458W	Assembly, Tube	1
4	100153W	O-Ring	3	28	141908W	Fitting	1
5	16558W	Fitting	2	29	16487W	. O-Ring	1
6	16483W	. O-Ring	1	30	377129W	Hose	1
7	19901W	Pin	2	31	127045W	Clamp	4
8	134803W	Capscrew	5	32	89056W	Fitting	1
9	317757W	Strainer	1	33	16486W	. O-Ring	1
10	1310820W	Fitting	1	34	1314796W	Assembly, Hose	1
11	16983W	. O-Ring	1	35	2300440W	Assembly, Tube	1
12	1310821W	Fitting	1	36	2302837W	Assembly, Tube	1
13	16487W	. O-Ring	1	37	16542W	Fitting	1
14	264147W	Nut	1	38	16485W	. O-Ring	1
15	2301069W	Gear, Pump	1	39	16560W	Fitting	1
16	1314414W	Bracket, Pump Mounting	1	40	16485W	. O-Ring	1
17	16805W	Capscrew	2	41	2300431W	Bracket	1
18	15156W	Washer	2	42	-----	Cover, Front	1
19	-----	Pump (See 3-90 & 3-91)	1	43	2302721W	Fitting (with Orifice)	1
20	16540W	Fitting	1				
21	16483W	. O-Ring	1		*a	First continuously used on S/N AW3C-1733.	
22	17196W	Fitting	1			Two units prior to 1733 were used on S/Ns	
23	16483W	. O-Ring	1			AW3C-1718 and AW3C-1723	
24	2300426W	Accumulator	1				
	*a 2302110W	Accumulator	1				

Hydraulics - PFO

Low PTO Input

Used on S/N AW3C-1844 thru AW3C-2178

Page 1 of 2



Recommended Service Kit		
Item	Kit No.	Section
6, 21, 23	2300576W	5-1
4	2303047W	5-1

Hydraulics - PFO**Low PTO Input**

Used on S/N AW3C-1844 thru AW3C-2178

Page 2 of 2

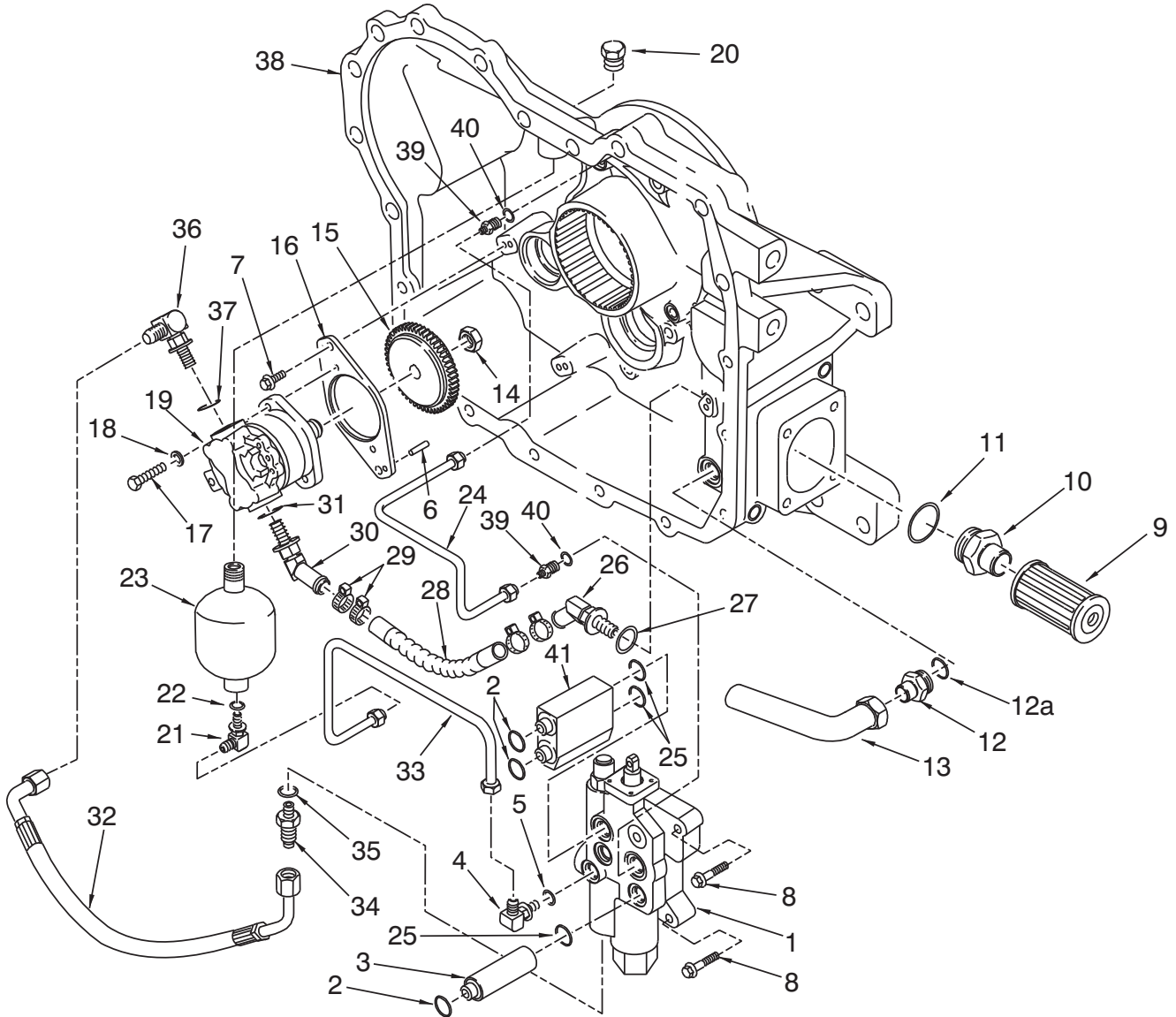
Item	Part No.	Description	Qty	Item	Part No.	Description	Qty
1	-----	Valve, Control (See 3-42 thru 3-89)	1	23	16483W	. O-Ring	1
3	2301780W	Fitting	1	24	2302110W	Accumulator	1
4	100153W	O-Ring	6	25	2302109W	Clamp	1
5	16558W	Fitting	2	26	2301458W	Assembly, Tube	1
6	16483W	. O-Ring	1	27	2302079W	Capscrew	1
7	19901W	Pin	2	28	141908W	Fitting	1
8	134803W	Capscrew	4	29	16487W	. O-Ring	1
9	317757W	Strainer	1	30	377129W	Hose	1
10	1310820W	Fitting	1	31	127045W	Clamp	4
11	16983W	. O-Ring	1	32	89056W	Fitting	1
12	1310821W	Fitting	1	33	16486W	. O-Ring	1
13	16487W	. O-Ring	1	34	1314796W	Assembly, Hose	1
14	264147W	Nut	1	35	2302600W	Assembly, Tube	1
15	2301069W	Gear, Pump	1	36	2302837W	Assembly, Tube	1
16	1314414W	Bracket, Pump Mounting	1	37	16542W	Fitting	1
17	16805W	Capscrew	2	38	16485W	. O-Ring	1
18	15156W	Washer	2	39	16560W	Fitting	1
19	-----	Pump (See 3-90 & 3-91)	1	40	16485W	. O-Ring	1
20	16540W	Fitting	1	41	2300431W	Bracket	1
21	16483W	. O-Ring	1	42	-----	Cover, Front	1
22	17196W	Fitting	1	43	2301777W	Fitting	1

Hydraulics - PFO

Low PTO Input

Used on S/N AW3C-2179 thru AW3C-2325

Page 1 of 2



Recommended Service Kit		
Item	Kit No.	Section
5, 22, 25, 40	2300576W	5-1
2, 22, 25	2303047W	5-1

Hydraulics - PFO**Low PTO Input**

Used on S/N AW3C-2179 thru AW3C-2325

Page 2 of 2

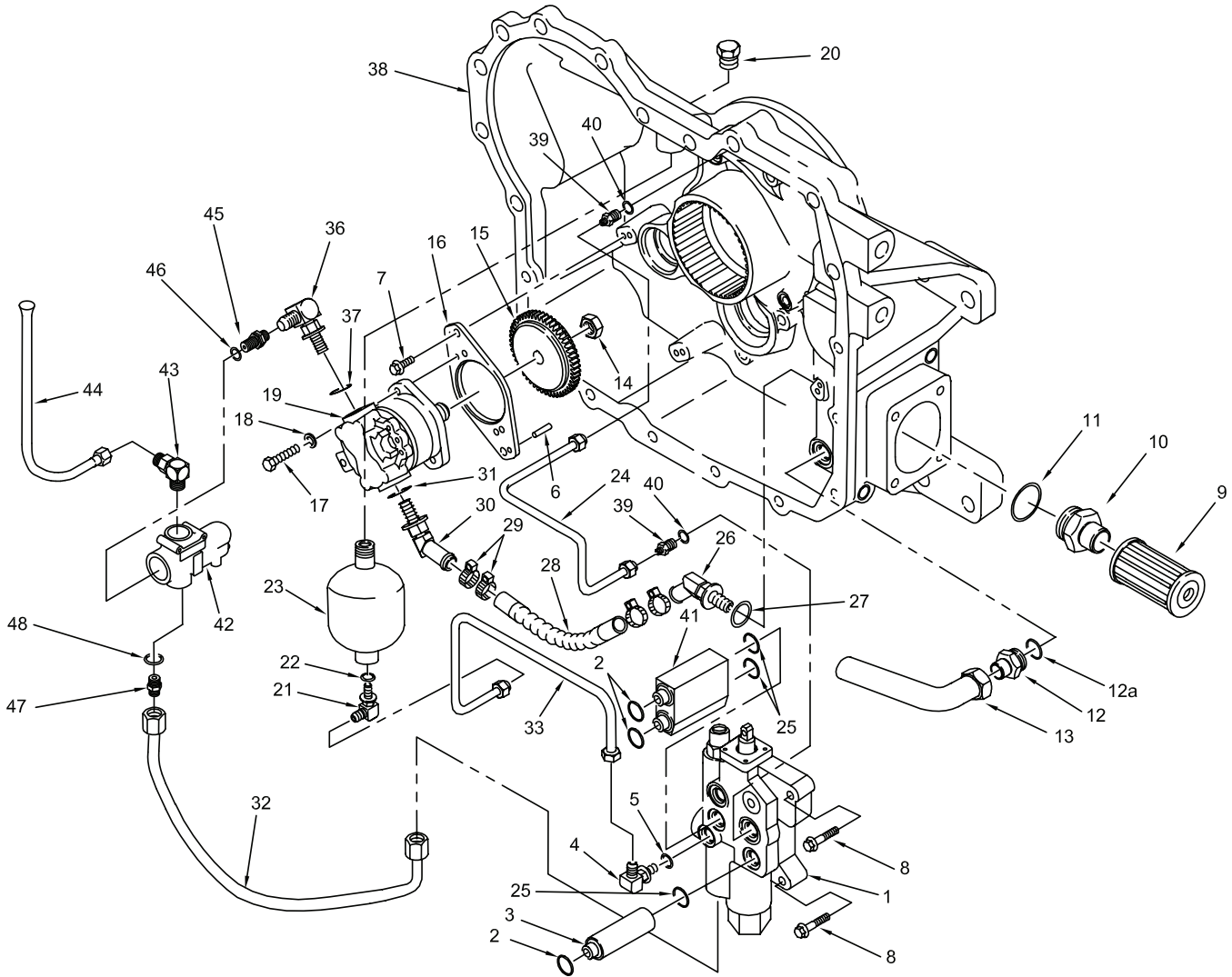
Item	Part No.	Description	Qty	Item	Part No.	Description	Qty
1	-----	Valve, Control (See 3-42 thru 3-89)	1	21	110174W	Fitting	1
2	100153W	O-Ring	3	22	16484W	. O-Ring	1
3	2302840W	Fitting	1	23	2302110W	Accumulator	1
4	16558W	Fitting	1	24	2301246W	Assembly, Tube	1
5	16483W	. O-Ring	1	25	16484W	O-Ring	3
6	19901W	Pin	2	26	141908W	Fitting	1
7	134803W	Capscrew	3	27	16487W	. O-Ring	1
8	134803W	Capscrew	2	28	2302701W	Hose, Suction	1
9	317757W	Strainer	1	29	127045W	Clamp	4
10	1310821W	Fitting	1	30	89056W	Fitting	1
11	16983W	. O-Ring	1	31	16486W	. O-Ring	1
12	16544W	Fitting	1	32	1314796W	Assembly, Hose	1
12A	16487W	. O-Ring	1	33	2301519W	Assembly, Tube	1
13	2302595W	Assembly, Tube	1	34	16542W	Fitting	1
14	264147W	Nut	1	35	16485W	. O-Ring	1
15	2301069W	Gear, Pump	1	36	16560W	Fitting	1
16	2300924W	Bracket, Pump Mounting	1	37	16485W	. O-Ring	1
17	16805W	Capscrew	2	38	-----	Cover, Front	1
18	15156W	Washer	2	39	16541W	Fitting	2
19	-----	Pump (See 3-90 & 3-91)	1	40	16483W	. O-Ring	2
20	2302208W	Fitting	1	41	2302801W	Fitting	1
	16485W	. O-Ring	1				

Hydraulics - PFO

Low PTO Input

First Used on S/N AW3C-2326

Page 1 of 2



Recommended Service Kit		
Item	Kit No.	Section
22, 37, 40, 48	2300576W	5-1
2, 22, 25, 37, 40, 48	2303047W	5-1

Hydraulics - PFO**Low PTO Input**

First Used on S/N AW3C-2326

Page 2 of 2

Item	Part No.	Description	Qty	Item	Part No.	Description	Qty
1	-----	Valve, Control (See 3-42 thru 3-89)	1	23	2302110W	Accumulator	1
2	100153W	O-Ring	3	24	2301823W	Assembly, Tube	1
3	2301820W	Fitting	1	25	100153W	O-Ring	3
4	201766W	Fitting	1	26	141908W	Fitting	1
5	16487W	. O-Ring	1	27	16487W	. O-Ring	1
6	19901W	Pin	2	28	2302701W	Hose, Suction	1
7	134803W	Capscrew	3	29	127045W	Clamp	4
8	2302079W	Capscrew	2	30	89056W	Fitting	1
9	317757W	Strainer	1	31	16486W	. O-Ring	1
10	1310821W	Fitting	1	32	2303521W	Assembly, Tube	1
11	16983W	. O-Ring	1	33	2303444W	Assembly, Tube	1
12	16544W	Fitting	1	36	2303593W	Fitting	1
12A	16487W	. O-Ring	1	37	16484W	. O-Ring	1
13	2302595W	Assembly, Tube	1	38	-----	Cover, Front	1
14	264147W	Nut	1	39	16541W	Fitting	2
15	2301069W	Gear, Pump	1	40	16484W	. O-Ring	2
16	2303625W	Bracket, Pump Mounting	1	41	2303334W	Fitting	1
17	16805W	Capscrew	2	42	2303467W	Regulator, Flow	1
18	15156W	Washer	2	43	16559W	Fitting	1
19	-----	Pump (See 3-90 & 3-91)	1	44	2303590W	Assembly, Tube	1
20	2302208W	Fitting	1	45	16909W	Fitting	1
	16485W	. O-Ring	1	46	16485W	. O-Ring	1
21	162155W	Fitting	1	47	16541W	Fitting	1
22	16484W	. O-Ring	1	48	16484W	. O-Ring	1

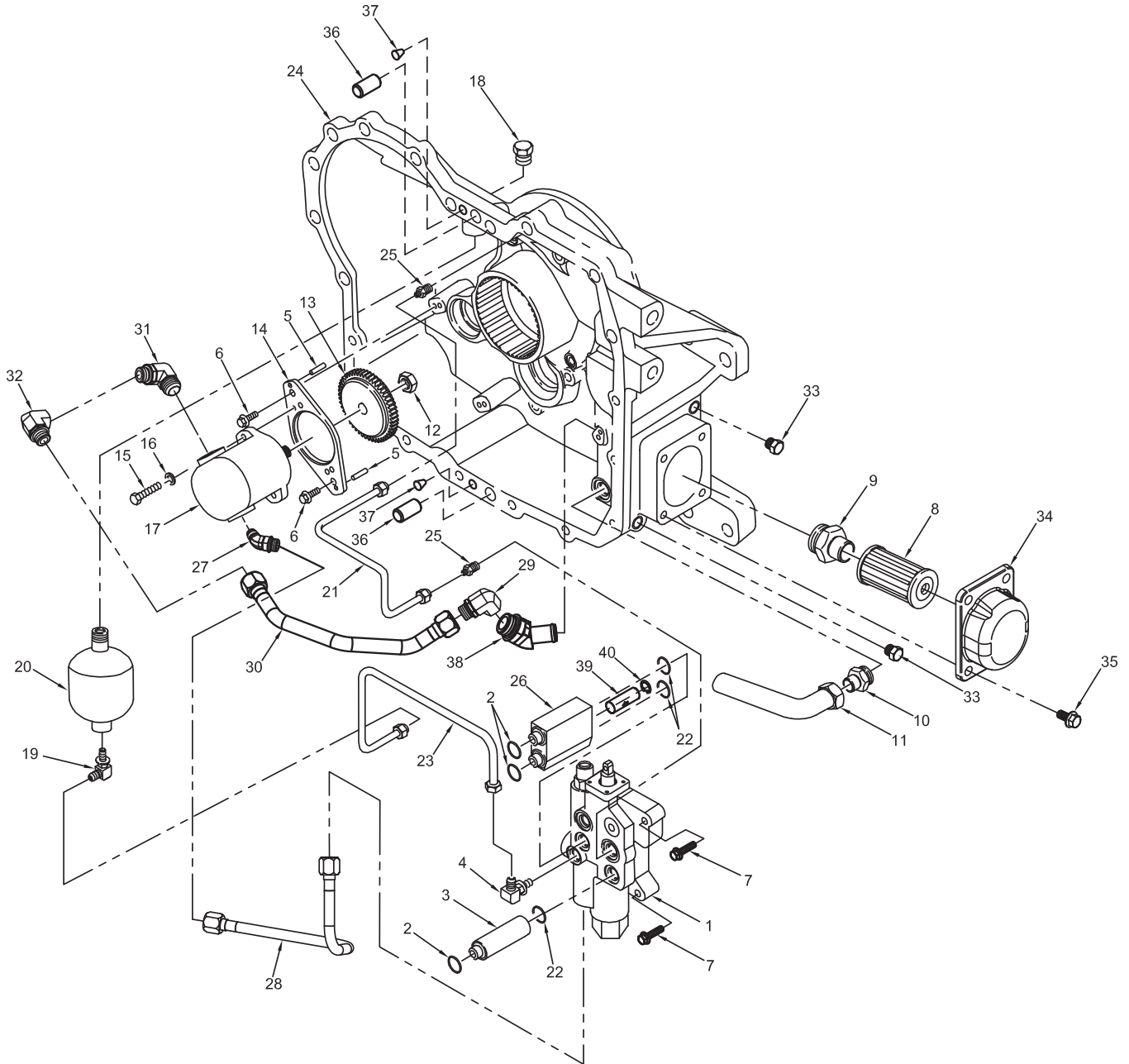
Hydraulics - PFO

Low PTO Input

Case 650-850K (R15)

First Used on S/N AW3C-2910

Page 1 of 2



Recommended Service Kit		
Item	Kit No.	Section
2, 22	2303047W	5-1

Hydraulics - PFO**Low PTO Input**

Case 650-850K (R15)

First Used on S/N AW3C-2910

Page 2 of 2

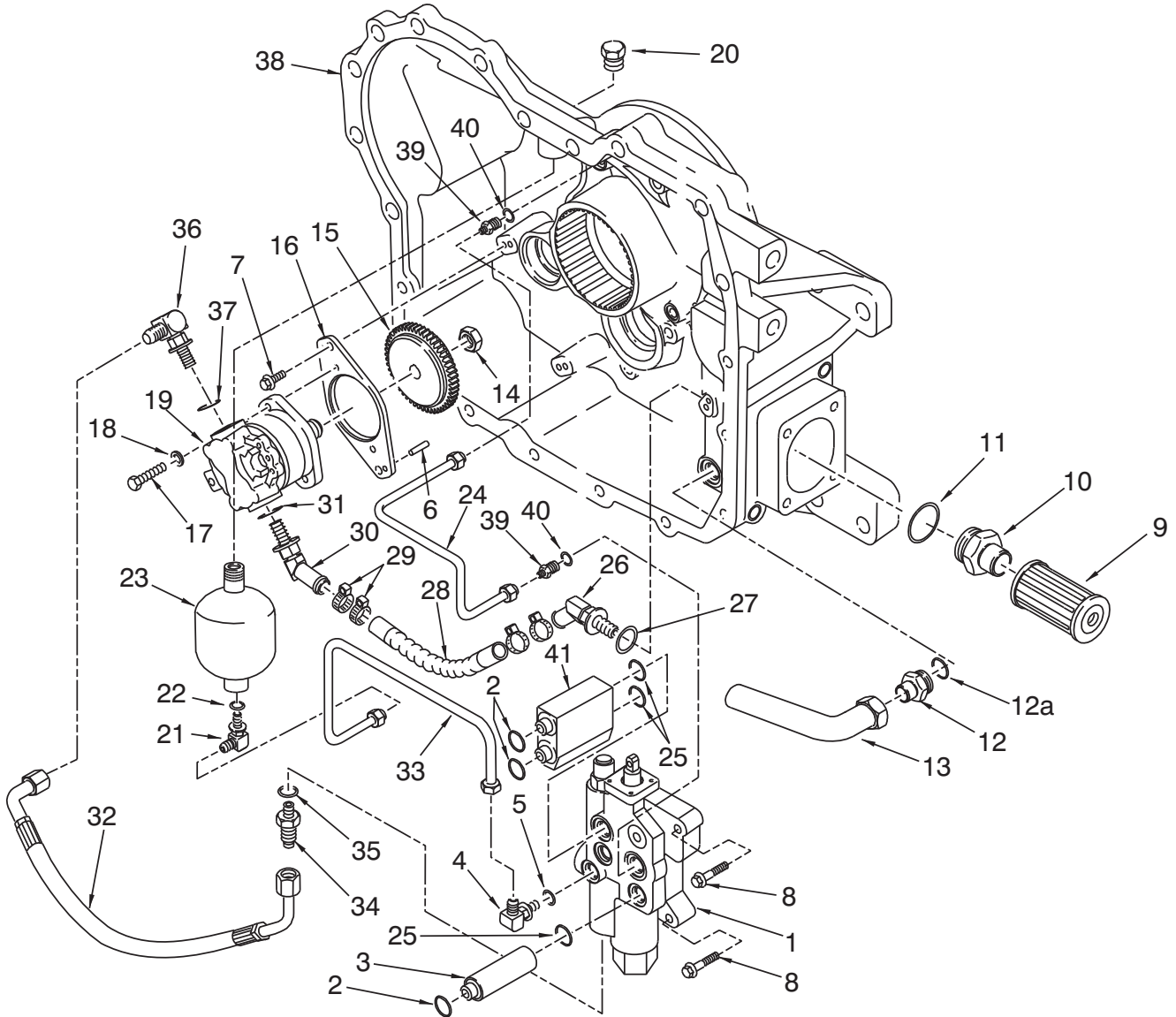
Item	Part No.	Description	Qty	Item	Part No.	Description	Qty
1	2303592W	Valve, Control (See 3-42 thru 3-89)	1	21	2301823W	Assembly, Brake Tube	1
2	100153W	O-Ring	6	22	100153W	O-Ring	6
3	2301820W	Fitting	1	23	2303444W	Assembly, Accumulator Tube	1
4	201766W	Fitting	1	24	2303482W	Cover, Front	1
5	19901W	Pin	2	25	16541W	Fitting	2
6	134803W	Capscrew	2	26	2307766W	Manifold	1
7	2302079W	Capscrew	2	27	201752W	Fitting	1
8	317757W	Strainer	1	28	2307762W	Assembly, Tube	1
9	1310821W	Fitting	2	29	209147	Fitting	4
10	16544W	Fitting	1	30	2307854W	Assembly, Tube	1
11	2302595W	Assembly, Suction Tube	1	31	2307740W	Fitting	1
12	264147W	Nut	1	32	184761W	Fitting	1
13	2301069W	Gear, Pump	1	33	14594W	Fitting	2
14	2303625W	Bracket, Pump Mounting	1	34	2301188W	Cover, Strainer	1
15	16805W	Capscrew	2	35	398817W	Capscrew	7
16	15156W	Washer	2	36	136625W	Pin	4
17	2303531W	Pump (See 3-90 & 3-91)	1	37	18007W	Plug	7
18	2302208W	Fitting	1	38	141908W	Fitting, Hose Nip	1
19	162155W	Fitting	1	39	2307763W	Valve, Cartridge Flow Regulator	1
20	2302110W	Accumulator	1	40	304537W	Ring, Snap	1

Hydraulics - PFR

Low PTO Input

Used on S/N AW3C-1000 thru AW3C-2325

Page 1 of 2



Recommended Service Kit		
Item	Kit No.	Section
5, 22, 25 (16484W), 40	2300576W	5-1
2, 22, 25	2303047W	5-1

Hydraulics - PFR

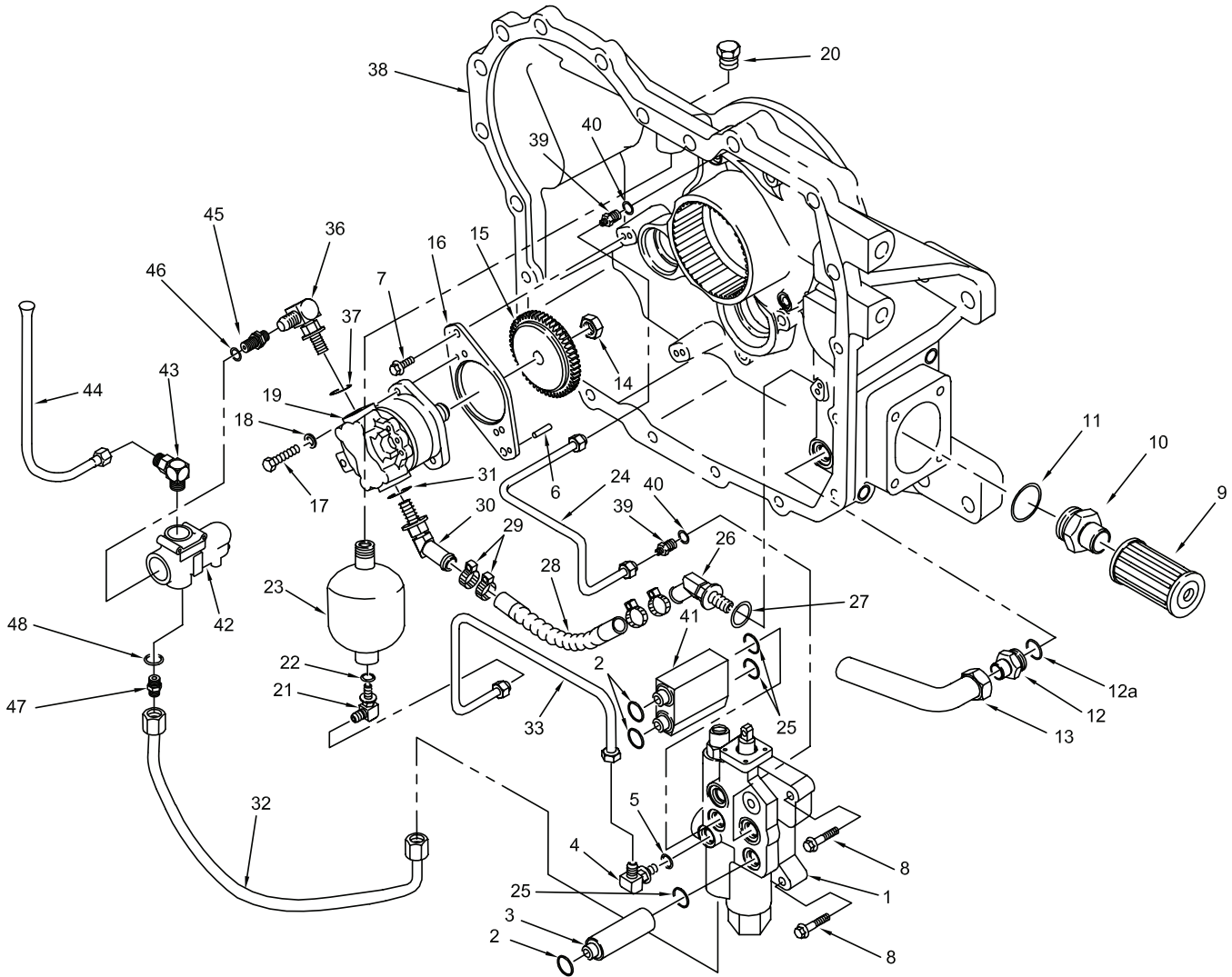
Low PTO Input

Used on S/N AW3C-1000 thru AW3C-2325

Page 2 of 2

Item	Part No.	Description	Qty	Item	Part No.	Description	Qty
1	-----	Valve, Control (See 3-42 thru 3-89)	1	23	2302110W	Accumulator	1
2	100153W	O-Ring	3	24	*a 2301246W	Assembly, Tube	1
3	*a 2302840W	Fitting	1		*b 2301823W	Assembly, Tube	1
	*b 2301820W	Fitting	1	25	*a 16484W	O-Ring	3
4	16558W	Fitting	1		*b 100153W	O-Ring	6
5	16483W	. O-Ring	1	26	141908W	Fitting	1
6	19901W	Pin	2	27	16487W	. O-Ring	1
7	134803W	Capscrew	3	28	2302701W	Hose, Suction	1
8	*a 134803W	Capscrew	2	29	127045W	Clamp	4
	*b 2302079W	Capscrew	2	30	89056W	Fitting	1
9	317757W	Strainer	1	31	16486W	. O-Ring	1
10	1310821W	Fitting	1	32	1314796W	Assembly, Hose	1
11	16983W	. O-Ring	1	33	2301519W	Assembly, Tube	1
12	16544W	Fitting	1	34	16542W	Fitting	1
12A	16487W	. O-Ring	1	35	16485W	. O-Ring	1
13	2302595W	Assembly, Tube	1	36	16560W	Fitting	1
14	264147W	Nut	1	37	16485W	. O-Ring	1
15	2301069W	Gear, Pump	1	38	-----	Cover, Front	1
16	2300924W	Bracket, Pump Mounting	1	39	16541W	Fitting	2
17	16805W	Capscrew	2	40	16483W	. O-Ring	2
18	15156W	Washer	2	41	*a 2302801W	Fitting	1
19	-----	Pump (See 3-90 & 3-91)	1		*b 2301819W	Fitting	1
20	2302208W	Fitting	1				
	16485W	. O-Ring	1		*a	Last Used on S/N AW3C-1833	
21	110174W	Fitting	1		*b	First Used on S/N AW3C-1844	
22	16484W	. O-Ring	1				

Hydraulics - PFR
Low PTO Input
 First Used on S/N AW3C-2326
 Page 1 of 2



Recommended Service Kit		
Item	Kit No.	Section
22, 37, 40, 48	2300576W	5-1
2, 22, 25, 37, 40, 48	2303047W	5-1

Hydraulics - PFR**Low PTO Input**

First Used on S/N AW3C-2326

Page 2 of 2

Item	Part No.	Description	Qty	Item	Part No.	Description	Qty
1	-----	Valve, Control (See 3-42 thru 3-89)	1	23	2302110W	Accumulator	1
2	100153W	O-Ring	3	24	2301823W	Assembly, Tube	1
3	2301820W	Fitting	1	25	100153W	O-Ring	3
4	201766W	Fitting	1	26	141908W	Fitting	1
5	16487W	. O-Ring	1	27	16487W	. O-Ring	1
6	19901W	Pin	2	28	2302701W	Hose, Suction	1
7	134803W	Capscrew	3	29	127045W	Clamp	4
8	2302079W	Capscrew	2	30	89056W	Fitting	1
9	317757W	Strainer	1	31	16486W	. O-Ring	1
10	1310821W	Fitting	1	32	2303521W	Assembly, Tube	1
11	16983W	. O-Ring	1	33	2303444W	Assembly, Tube	1
12	16544W	Fitting	1	36	2303593W	Fitting	1
12A	16487W	. O-Ring	1	37	16484W	. O-Ring	1
13	2302595W	Assembly, Tube	1	38	-----	Cover, Front	1
14	264147W	Nut	1	39	16541W	Fitting	2
15	2301069W	Gear, Pump	1	40	16484W	. O-Ring	2
16	2303625W	Bracket, Pump Mounting	1	41	2303334W	Fitting	1
17	16805W	Capscrew	2	42	2303467W	Regulator, Flow	1
18	15156W	Washer	2	43	16559W	Fitting	1
19	-----	Pump (See 3-90 & 3-91)	1	44	2303590W	Assembly, Tube	1
20	2302208W	Fitting	1	45	16909W	Fitting	1
	16485W	. O-Ring	1	46	16485W	. O-Ring	1
21	162155W	Fitting	1	47	16541W	Fitting	1
22	16484W	. O-Ring	1	48	16484W	. O-Ring	1

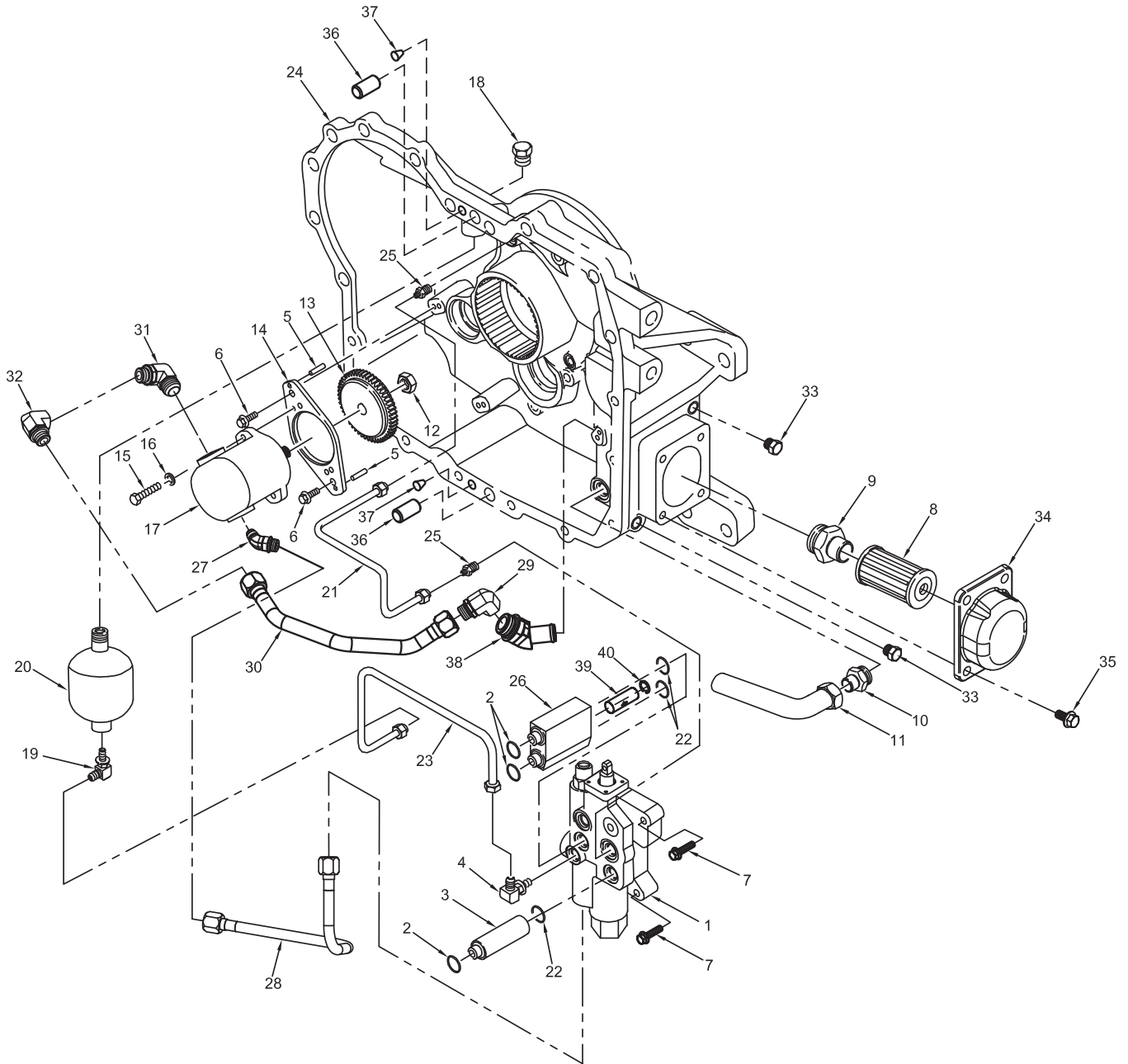
Hydraulics - PFR

Low PTO Input

Case 650-850K (R15)

First Used on S/N AW3C-2910

Page 1 of 2



Recommended Service Kit		
Item	Kit No.	Section
2, 22	2303047W	5-1

Hydraulics - PFR**Low PTO Input**

Case 650-850K (R15)

First Used on S/N AW3C-2910

Page 2 of 2

Item	Part No.	Description	Qty	Item	Part No.	Description	Qty
1	2303592W	Valve, Control (See 3-42 thru 3-89)	1	21	2301823W	Assembly, Brake Tube	1
2	100153W	O-Ring	6	22	100153W	O-Ring	6
3	2301820W	Fitting	1	23	2303444W	Assembly, Accumulator Tube	1
4	201766W	Fitting	1	24	2303482W	Cover, Front	1
5	19901W	Pin	2	25	16541W	Fitting	2
6	134803W	Capscrew	2	26	2307766W	Manifold	1
7	2302079W	Capscrew	2	27	201752W	Fitting	1
8	317757W	Strainer	1	28	2307762W	Assembly, Tube	1
9	1310821W	Fitting	2	29	209147	Fitting	4
10	16544W	Fitting	1	30	2307854W	Assembly, Tube	1
11	2302595W	Assembly, Suction Tube	1	31	2307740W	Fitting	1
12	264147W	Nut	1	32	184761W	Fitting	1
13	2301069W	Gear, Pump	1	33	14594W	Fitting	2
14	2303625W	Bracket, Pump Mounting	1	34	2301188W	Cover, Strainer	1
15	16805W	Capscrew	2	35	398817W	Capscrew	7
16	15156W	Washer	2	36	136625W	Pin	4
17	2303531W	Pump (See 3-90 & 3-91)	1	37	18007W	Plug	7
18	2302208W	Fitting	1	38	141908W	Fitting, Hose Nip	1
19	162155W	Fitting	1	39	2307763W	Valve, Cartridge Flow Regulator	1
20	2302110W	Accumulator	1	40	304537W	Ring, Snap	1

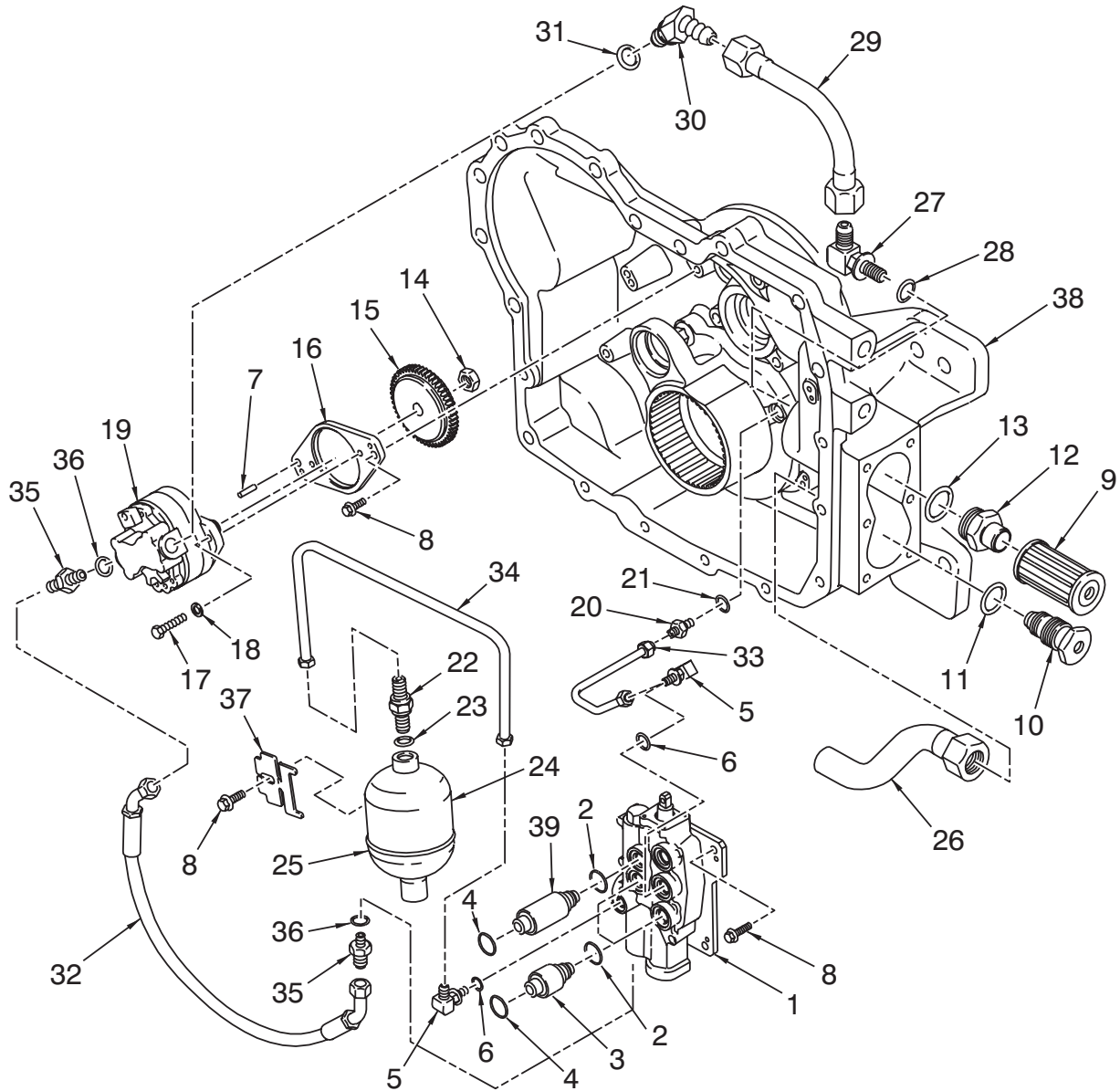
Hydraulics - PFO

High PTO Input

Caterpillar D3/4/5B&C DD & PS (C14), D4H (C360/361/362), D5H (C371) & D5M (C30),
Last Used on S/N AW3C-1843

Caterpillar D3/4/5C Hystat (C16)
Last Used on S/N AW3C-1996

Page 1 of 2



Recommended Service Kit		
Item	Kit No.	Section
2, 6, 21, 23	2300576W	5-1
2, 4	2303047W	5-1

Hydraulics - PFO

High PTO Input

Caterpillar D3/4/5B&C DD & PS (C14), D4H (C360/361/362), D5H (C371) & D5M (C30),

Last Used on S/N AW3C-1843

Caterpillar D3/4/5C Hystat (C16)

Last Used on S/N AW3C-1996

Page 2 of 2

Item	Part No.	Description	Qty	Item	Part No.	Description	Qty
1	-----	Valve, Control (See 3-42 thru 3-89)	1	23	16483W	. O-Ring	1
2	16484W	O-Ring	3	24	*a 2300426W	Accumulator	1
3	2302839W	Fitting	2		*b 2302110W	Accumulator	1
4	100153W	O-Ring	3	25	*a 1300812W	Clamp	1
5	16558W	Fitting	2		*b 2302109W	Clamp	1
6	16483W	. O-Ring	1	26	1314512W	Assembly, Tube	1
7	19901W	Pin	2	27	16562W	Fitting	1
8	134803W	Capscrew	5	28	16487W	. O-Ring	1
9	317757W	Strainer	1	29	1314513W	Assembly, Tube	1
10	1310820W	Fitting	1	30	222392W	Fitting	1
11	16983W	. O-Ring	1	31	16486W	. O-Ring	1
12	1310821W	Fitting	1	32	1314793W	Assembly, Hose	1
13	16487W	. O-Ring	1	33	2300441W	Assembly, Tube	1
14	264147W	Nut	1	34	2302836W	Assembly, Tube	1
15	2301069W	Gear, Pump	1	35	16542W	Fitting	2
16	1314414W	Bracket, Pump Mounting	1	36	16485W	. O-Ring	1
17	16805W	Capscrew	2	37	2300431W	Bracket	1
18	15156W	Washer	2	38	-----	Cover, Front	1
19	-----	Pump (See 3-90 & 3-91)	1	39	2302801W	Fitting	1
20	16540W	Fitting	1				
21	16483W	. O-Ring	1		*a	Last Used on S/N AW3C-1732	
22	16745W	Fitting	1		*b	First Used on S/N AW3C-1733	

Hydraulics - PFO

High PTO Input

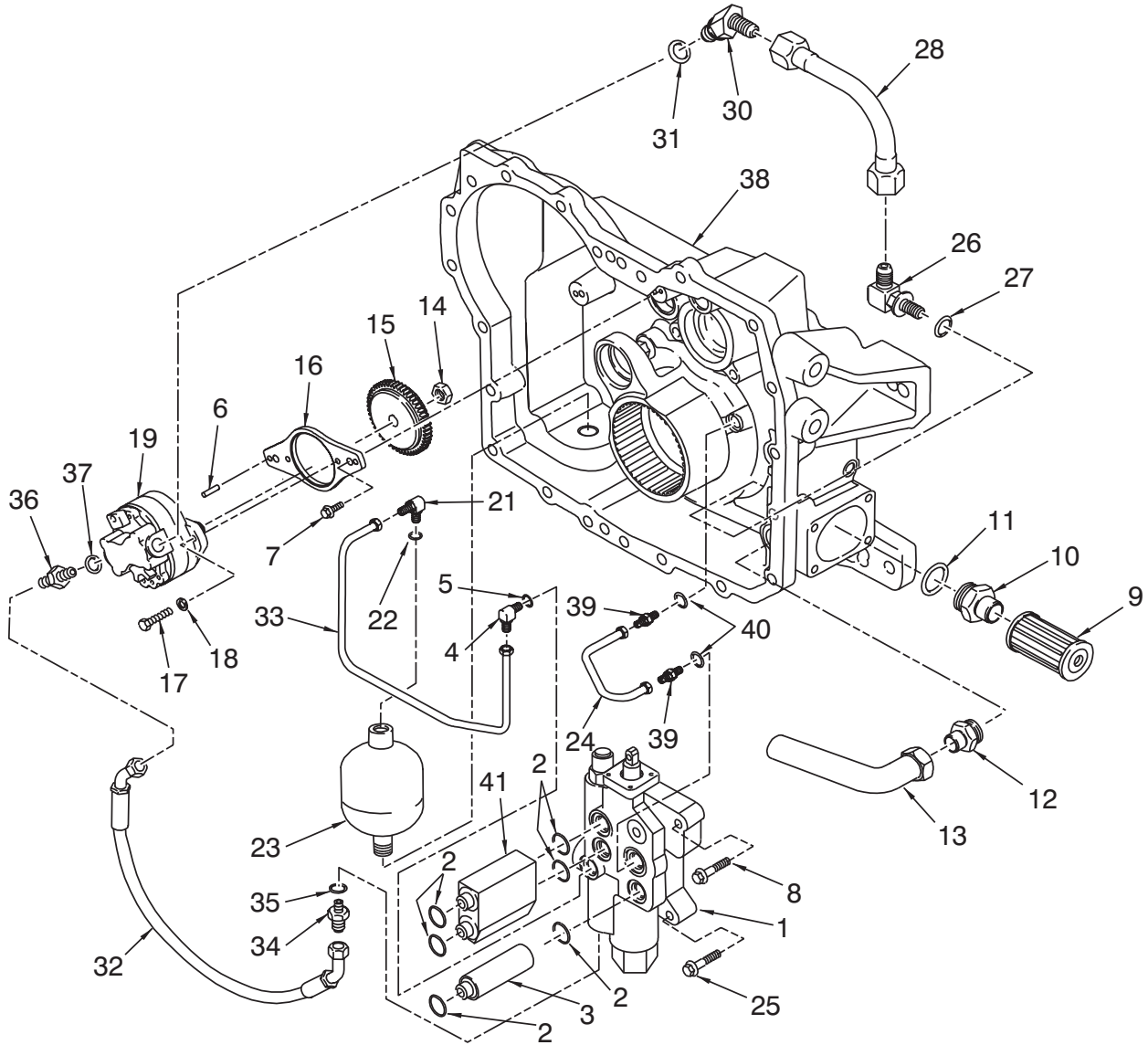
Caterpillar D3/4/5B&C DD & PS (C14), D4H (C360/361/362), D5H (C371) & D5M (C30)

Used on S/N AW3C-1844 thru AW3C-2325

Caterpillar D3/4/5C Hystat (C16)

Used on S/N AW3C-1997 thru AW3C-2263

Page 1 of 2



Recommended Service Kit		
Item	Kit No.	Section
5, 22, 40	2300576W	5-1
2, 22	2303047W	5-1

Hydraulics - PFO**High PTO Input**

Caterpillar D3/4/5B&C DD & PS (C14), D4H (C360/361/362), D5H (C371) & D5M (C30)

Used on S/N AW3C-1844 thru AW3C-2325

Caterpillar D3/4/5C Hystat (C16)

Used on S/N AW3C-1997 thru AW3C-2263

Page 2 of 2

Item	Part No.	Description	Qty	Item	Part No.	Description	Qty
1	-----	Valve, Control (See 3-42 thru 3-89)	1	19	-----	Pump (See 3-90 & 3-91)	1
2	100153W	O-Ring	6	21	110174W	Fitting	1
3	2301820W	Fitting	1	22	16484W	. O-Ring	1
4	16558W	Fitting	1	23	2302110W	Accumulator	1
5	16483W	. O-Ring	1	24	2302078W	Assembly, Tube	1
6	19901W	Pin	2	25	2302079W	Capscrew	1
7	134803W	Capscrew	3	26	201776W	Fitting	1
8	2302079W	Capscrew	1	27	16487W	. O-Ring	1
9	317757W	Strainer	1	28	2300981W	Assembly, Tube	1
10	1310821W	Fitting	1	30	16570W	Fitting	1
11	16983W	. O-Ring	1	31	16486W	. O-Ring	1
12	16544W	Fitting	1	32	1314793W	Hose	1
12A	16487W	. O-Ring (Not Shown)	1	33	2302209W	Assembly, Tube	1
13	2301248W	Assembly, Tube	1	36	16542W	Fitting	1
14	264147W	Nut	1	37	16485W	. O-Ring	1
15	2301069W	Gear, Pump	1	38	-----	Cover, Front	1
16	2300924W	Bracket, Pump Mounting	1	39	16541W	Fitting	2
17	16805W	Capscrew	2	40	16483W	. O-Ring	2
18	15156W	Washer	2	41	2301819W	Fitting	1

Hydraulics - PFO

High PTO Input

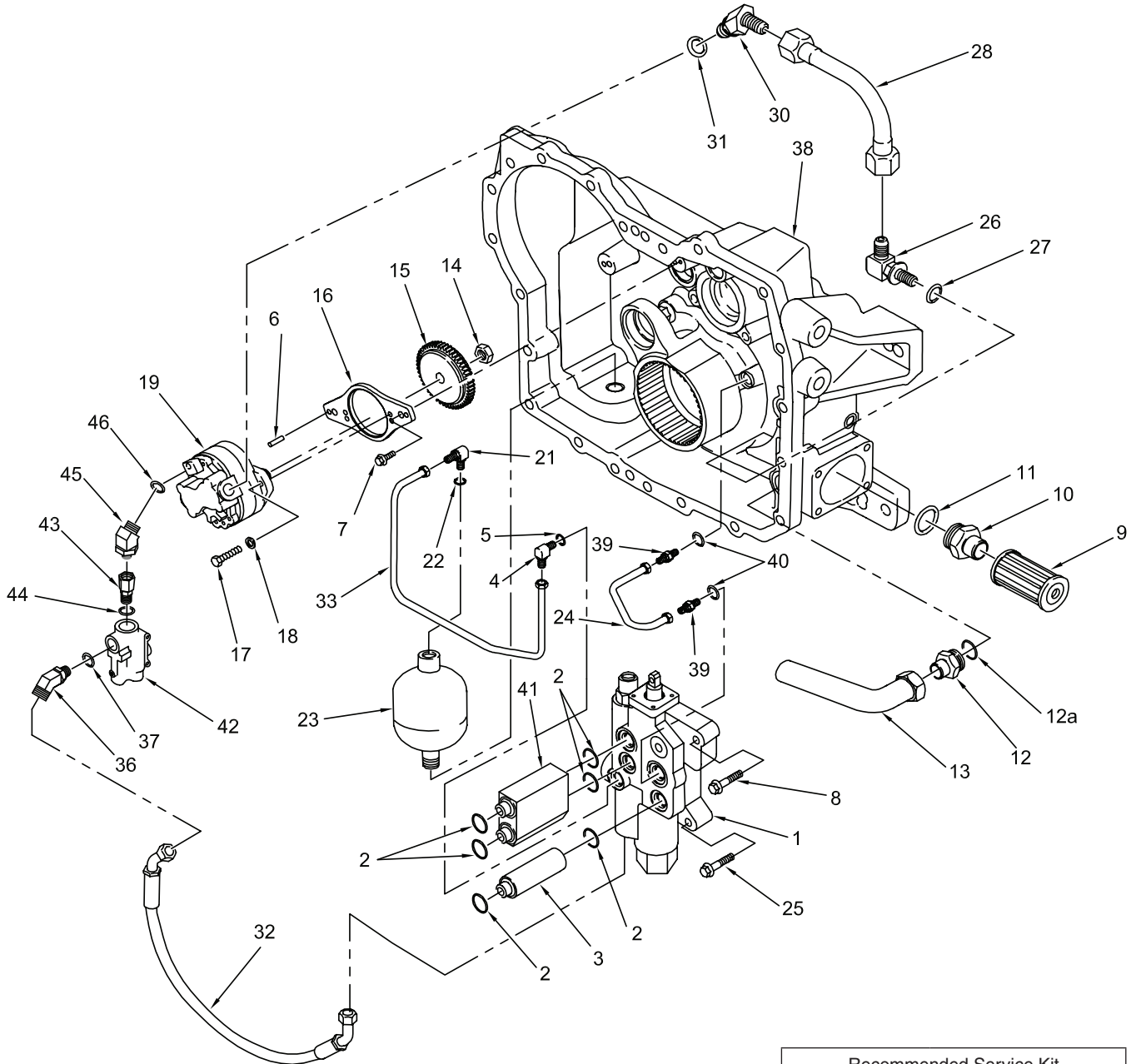
Caterpillar D3/4/5C Hystat (C16)

First Used on S/N AW3C-2264

All Other Applications

First Used on S/N AW3C-2326

Page 1 of 2



Recommended Service Kit		
Item	Kit No.	Section
22, 37, 40, 44	2300576W	5-1
2, 22, 37, 40, 44	2303047W	5-1

Hydraulics - PFO**High PTO Input**

Caterpillar D3/4/5C Hystat (C16)

First Used on S/N AW3C-2264

All Other Applications

First Used on S/N AW3C-2326

Page 2 of 2

Item	Part No.	Description	Qty	Item	Part No.	Description	Qty
1	-----	Valve, Control (See 3-42 thru 3-89)	1	24	2302078W	Assembly, Tube	1
2	100153W	O-Ring	6	25	2302079W	Capscrew	1
3	2301820W	Fitting	1	26	201776W	Fitting	1
4	201766W	Fitting	1	27	16487W	. O-Ring	1
5	16487W	. O-Ring	1	28	2300981W	Assembly, Tube	1
6	19901W	Pin	2	30	16570W	Fitting	1
7	134803W	Capscrew	3	31	16486W	. O-Ring	1
8	2302079W	Capscrew	1	32	*a 2303470W	Assembly, Hose	1
9	317757W	Strainer	1		2303591W	Assembly, Hose	1
10	1310821W	Fitting	1	33	2303329W	Assembly, Tube	1
11	16983W	. O-Ring	1	36	16568W	Fitting	1
12	16544W	Fitting	1	37	16484W	. O-Ring	1
12A	16487W	. O-Ring	1	38	-----	Cover, Front	1
13	2301248W	Assembly, Tube	1	39	16541W	Fitting	2
14	264147W	Nut	1	40	16484W	. O-Ring	2
15	2301069W	Gear, Pump	1	41	2303334W	Fitting	1
16	2303625W	Bracket, Pump Mounting	1	42	2303467W	Regulator, Flow	1
17	16805W	Capscrew	2	43	2303469W	Fitting	1
18	15156W	Washer	2	44	16484W	. O-Ring	1
19	-----	Pump (See 3-90 & 3-91)	1	45	201752W	Fitting	1
20	2302208W	Fitting	1	46	16485W	. O-Ring	1
	16485W	. O-Ring	1				
21	110174W	Fitting	1		*a	Used on S/N AW3C-2264 thru AW3C-2322 on Caterpillar 3/4/5C Hystat (C16)	
22	16484W	. O-Ring	1				
23	2302110W	Accumulator	1				

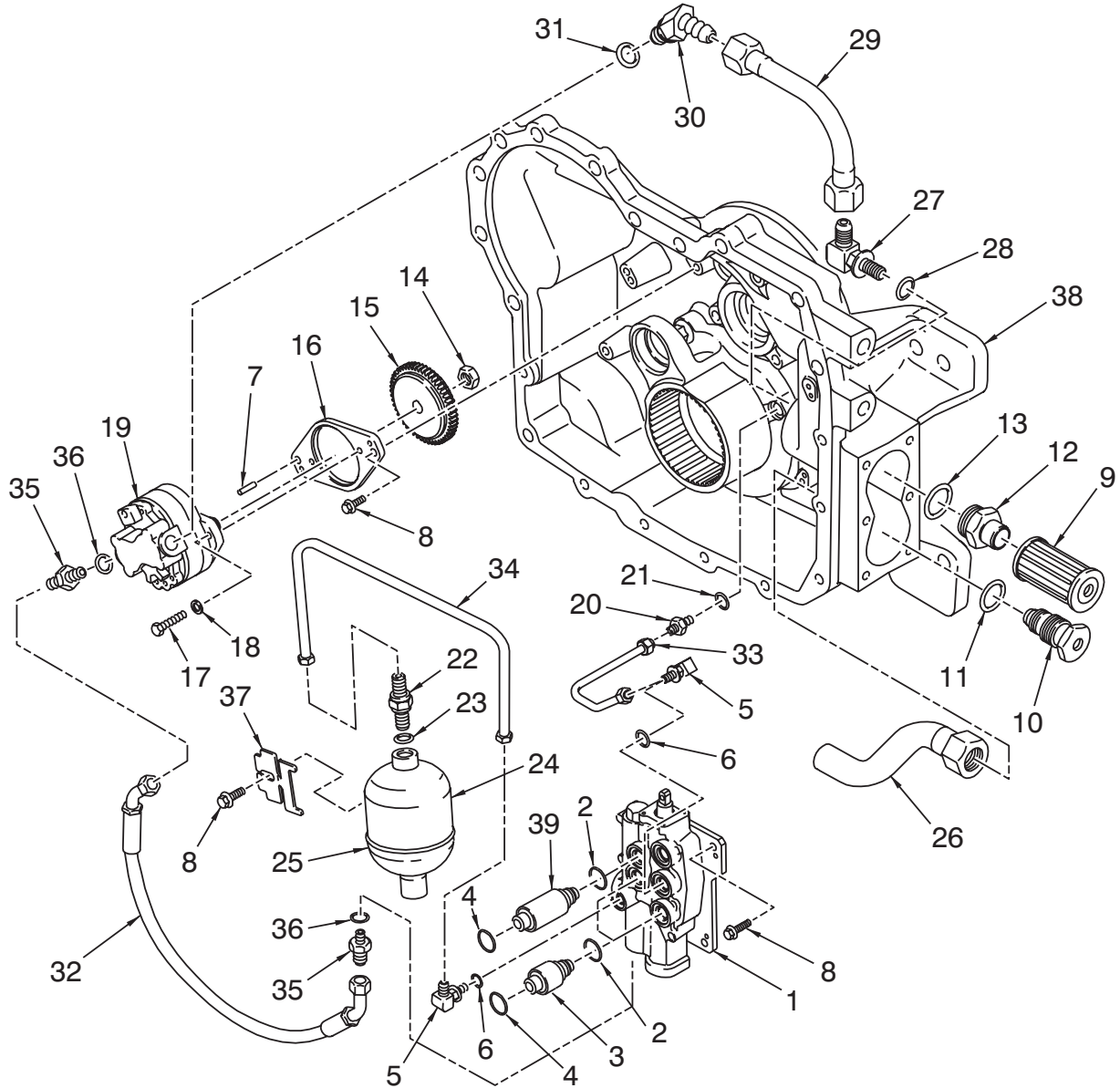
Hydraulics - PFO

High PTO Input

Dresser/Dressta

Last Used on S/N AW3C-1843

Page 1 of 2



Recommended Service Kit		
Item	Kit No.	Section
2, 6, 21, 23	2300576W	5-1
2, 4	2303047W	5-1

Hydraulics - PFO
High PTO Input
 Dresser/Dressta
 Last Used on S/N AW3C-1843
 Page 2 of 2

Item	Part No.	Description	Qty	Item	Part No.	Description	Qty
1	-----	Valve, Control (See 3-42 thru 3-89)	1	23	16483W	. O-Ring	1
2	16484W	O-Ring	3	24	*a 2300426W	Accumulator	1
3	2302839W	Fitting	2		*b 2302110W	Accumulator	1
4	100153W	O-Ring	3	25	*a 1300812W	Clamp	1
5	16558W	Fitting	2		*b 2302109W	Clamp	1
6	16483W	. O-Ring	1	26	1314512W	Assembly, Tube	1
7	19901W	Pin	2	27	16562W	Fitting	1
8	134803W	Capscrew	5	28	16487W	. O-Ring	1
9	317757W	Strainer	1	29	1314513W	Assembly, Tube	1
10	1310820W	Fitting	1	30	222392W	Fitting	1
11	16983W	. O-Ring	1	31	16486W	. O-Ring	1
12	1310821W	Fitting	1	32	1314793W	Assembly, Hose	1
13	16487W	. O-Ring	1	33	2300441W	Assembly, Tube	1
14	264147W	Nut	1	34	2302836W	Assembly, Tube	1
15	2301069W	Gear, Pump	1	35	16542W	Fitting	2
16	1314414W	Bracket, Pump Mounting	1	36	16485W	. O-Ring	1
17	16805W	Capscrew	2	37	2300431W	Bracket	1
18	15156W	Washer	2	38	-----	Cover, Front	1
19	-----	Pump (See 3-90 & 3-91)	1	39	2302801W	Fitting	1
20	16540W	Fitting	1				
21	16483W	. O-Ring	1		*a	Last Used on S/N AW3C-1732	
22	16745W	Fitting	1		*b	First Used on S/N AW3C-1733	

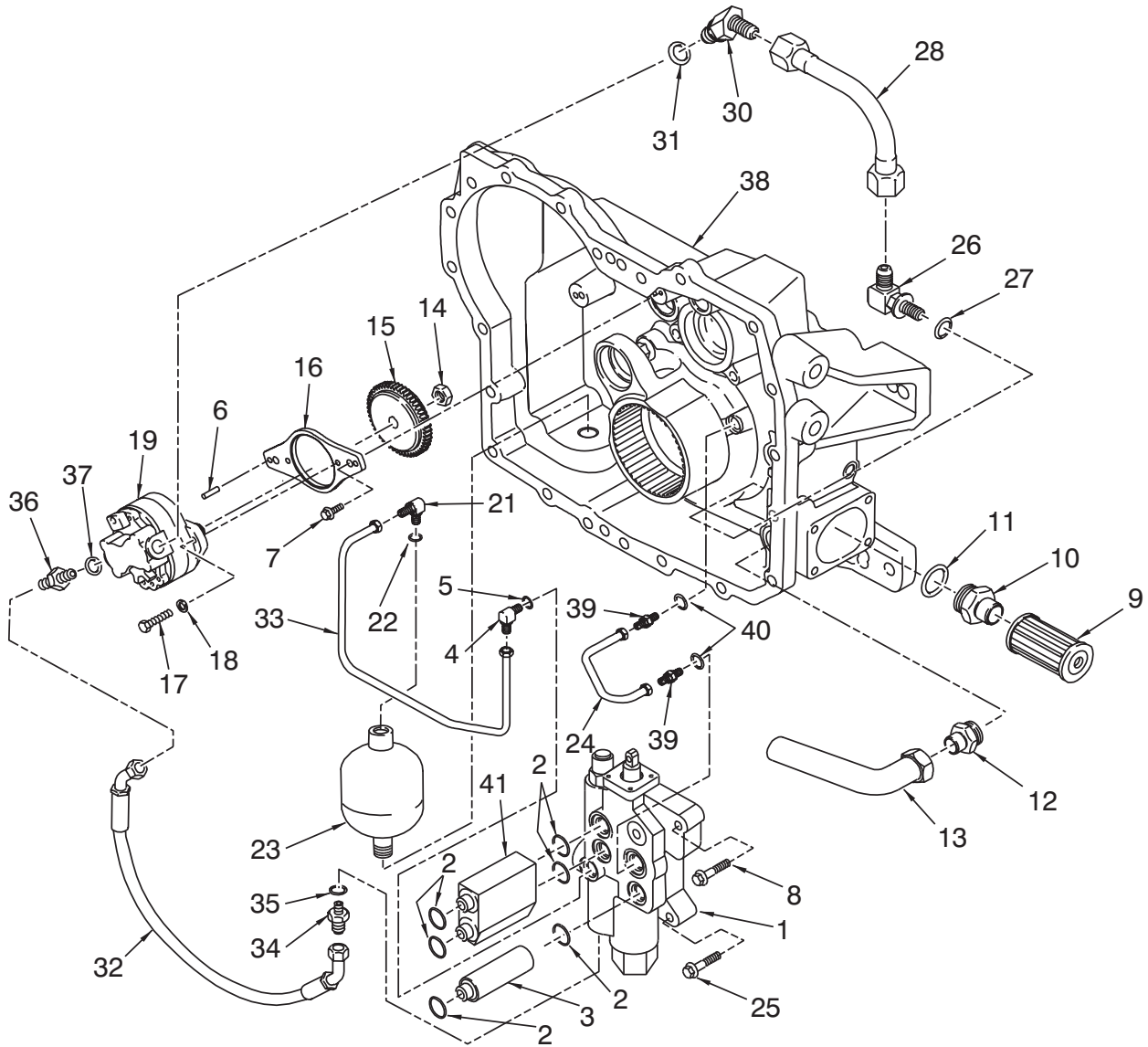
Hydraulics - PFO

High PTO Input

Dresser/Dressta

Used on S/N AW3C-1844 thru AW3C-2325

Page 1 of 2



Recommended Service Kit		
Item	Kit No.	Section
5, 22, 40	2300576W	5-1
2, 22	2303047W	5-1

Hydraulics - PFO**High PTO Input**

Dresser/Dressta

Used on S/N AW3C-1844 thru AW3C-2325

Page 2 of 2

Item	Part No.	Description	Qty	Item	Part No.	Description	Qty
1	-----	Valve, Control (See 3-42 thru 3-89)	1	19	-----	Pump (See 3-90 & 3-91)	1
2	100153W	O-Ring	6	21	110174W	Fitting	1
3	2301820W	Fitting	1	22	16484W	. O-Ring	1
4	16558W	Fitting	1	23	2302110W	Accumulator	1
5	16483W	. O-Ring	1	24	2302078W	Assembly, Tube	1
6	19901W	Pin	2	25	2302079W	Capscrew	1
7	134803W	Capscrew	3	26	201776W	Fitting	1
8	2302079W	Capscrew	1	27	16487W	. O-Ring	1
9	317757W	Strainer	1	28	2300981W	Assembly, Tube	1
10	1310821W	Fitting	1	30	16570W	Fitting	1
11	16983W	. O-Ring	1	31	16486W	. O-Ring	1
12	16544W	Fitting	1	32	1314793W	Hose	1
12A	16487W	. O-Ring (Not Shown)	1	33	2302209W	Assembly, Tube	1
13	2301248W	Assembly, Tube	1	36	16542W	Fitting	1
14	264147W	Nut	1	37	16485W	. O-Ring	1
15	2301069W	Gear, Pump	1	38	-----	Cover, Front	1
16	2300924W	Bracket, Pump Mounting	1	39	16541W	Fitting	2
17	16805W	Capscrew	2	40	16483W	. O-Ring	2
18	15156W	Washer	2	41	2301819W	Fitting	1

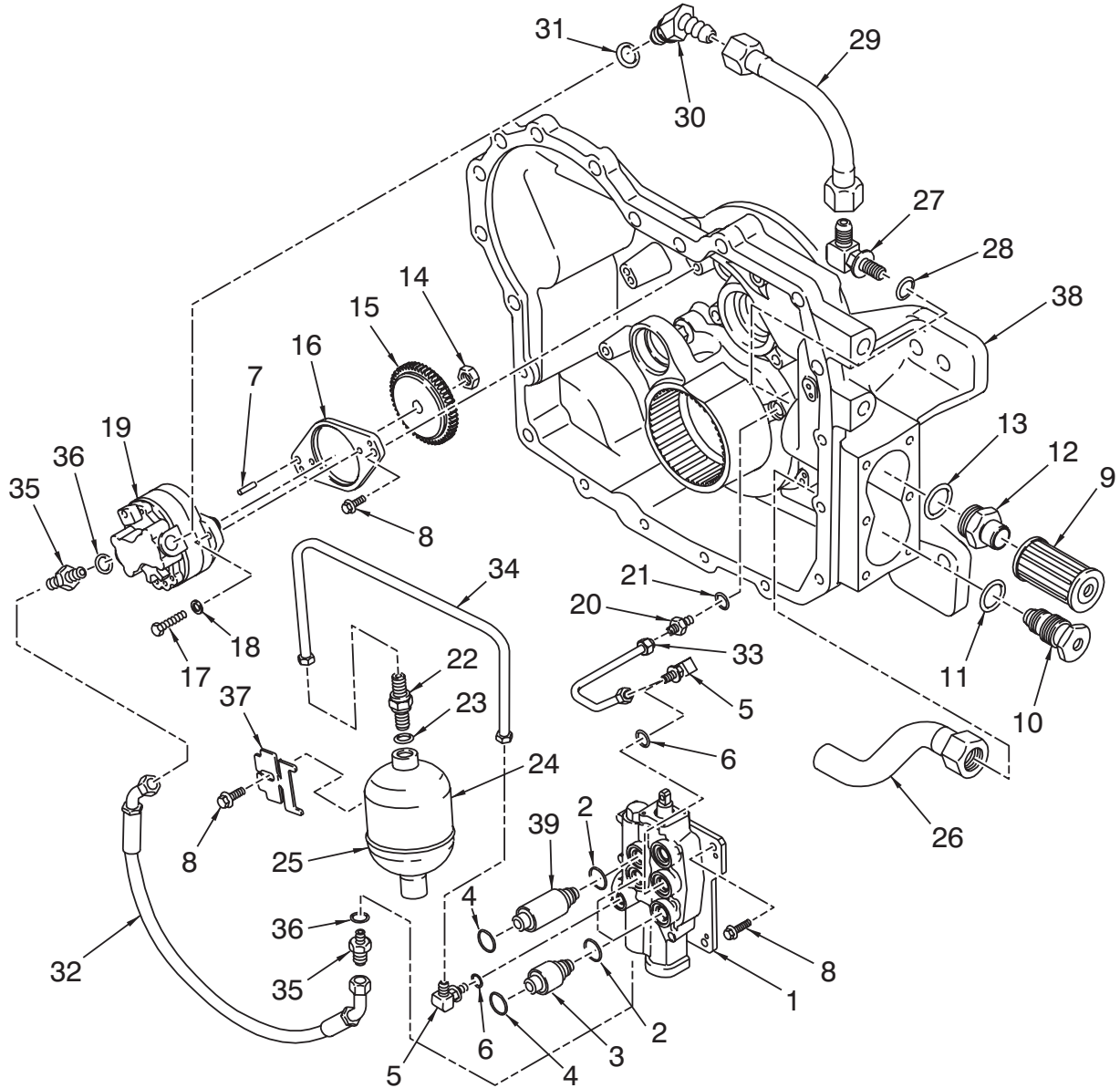
Hydraulics - PFO

High PTO Input

John Deere

Last Used on S/N AW3C-1996

Page 1 of 2



Recommended Service Kit		
Item	Kit No.	Section
2, 6, 21, 23	2300576W	5-1
2, 4	2303047W	5-1

Hydraulics - PFO**High PTO Input**

John Deere

Last Used on S/N AW3C-1996

Page 2 of 2

Item	Part No.	Description	Qty	Item	Part No.	Description	Qty
1	-----	Valve, Control (See 3-42 thru 3-89)	1	23	16483W	. O-Ring	1
2	16484W	O-Ring	3	24	*a 2300426W	Accumulator	1
3	2302839W	Fitting	2		*b 2302110W	Accumulator	1
4	100153W	O-Ring	3	25	*a 1300812W	Clamp	1
5	16558W	Fitting	2		*b 2302109W	Clamp	1
6	16483W	. O-Ring	1	26	1314512W	Assembly, Tube	1
7	19901W	Pin	2	27	16562W	Fitting	1
8	134803W	Capscrew	5	28	16487W	. O-Ring	1
9	317757W	Strainer	1	29	1314513W	Assembly, Tube	1
10	1310820W	Fitting	1	30	222392W	Fitting	1
11	16983W	. O-Ring	1	31	16486W	. O-Ring	1
12	1310821W	Fitting	1	32	1314793W	Assembly, Hose	1
13	16487W	. O-Ring	1	33	2300441W	Assembly, Tube	1
14	264147W	Nut	1	34	2302836W	Assembly, Tube	1
15	2301069W	Gear, Pump	1	35	16542W	Fitting	2
16	1314414W	Bracket, Pump Mounting	1	36	16485W	. O-Ring	1
17	16805W	Capscrew	2	37	2300431W	Bracket	1
18	15156W	Washer	2	38	-----	Cover, Front	1
19	-----	Pump (See 3-90 & 3-91)	1	39	2302801W	Fitting	1
20	16540W	Fitting	1				
21	16483W	. O-Ring	1		*a	Last Used on S/N AW3C-1732	
22	16745W	Fitting	1		*b	First Used on S/N AW3C-1733	

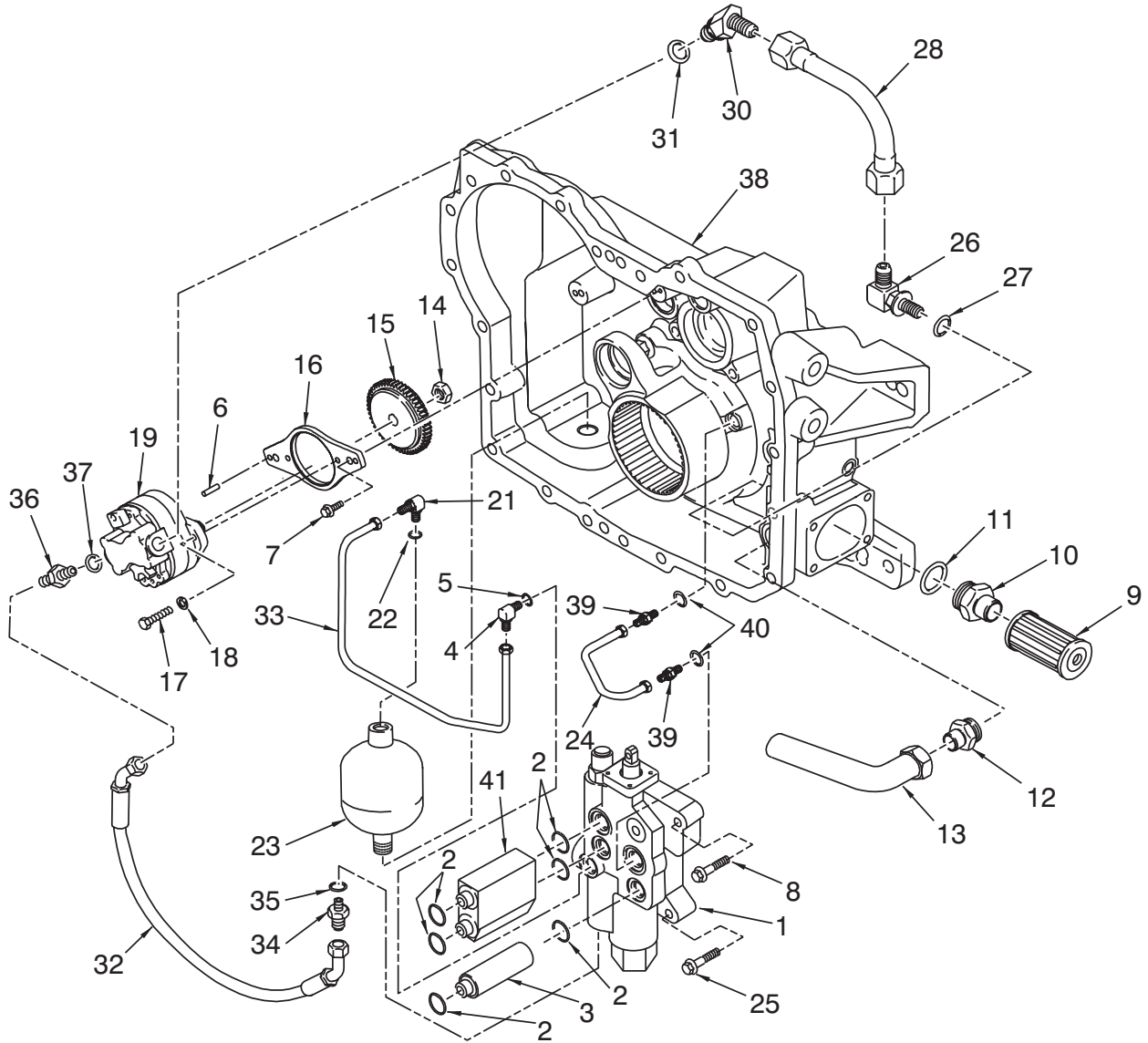
Hydraulics - PFO

High PTO Input

John Deere

Used on S/N AW3C-1997 thru AW3C-2325

Page 1 of 2



Recommended Service Kit		
Item	Kit No.	Section
5, 22, 40	2300576W	5-1
2, 22	2303047W	5-1

Hydraulics - PFO**High PTO Input**

John Deere

Used on S/N AW3C-1997 thru AW3C-2325

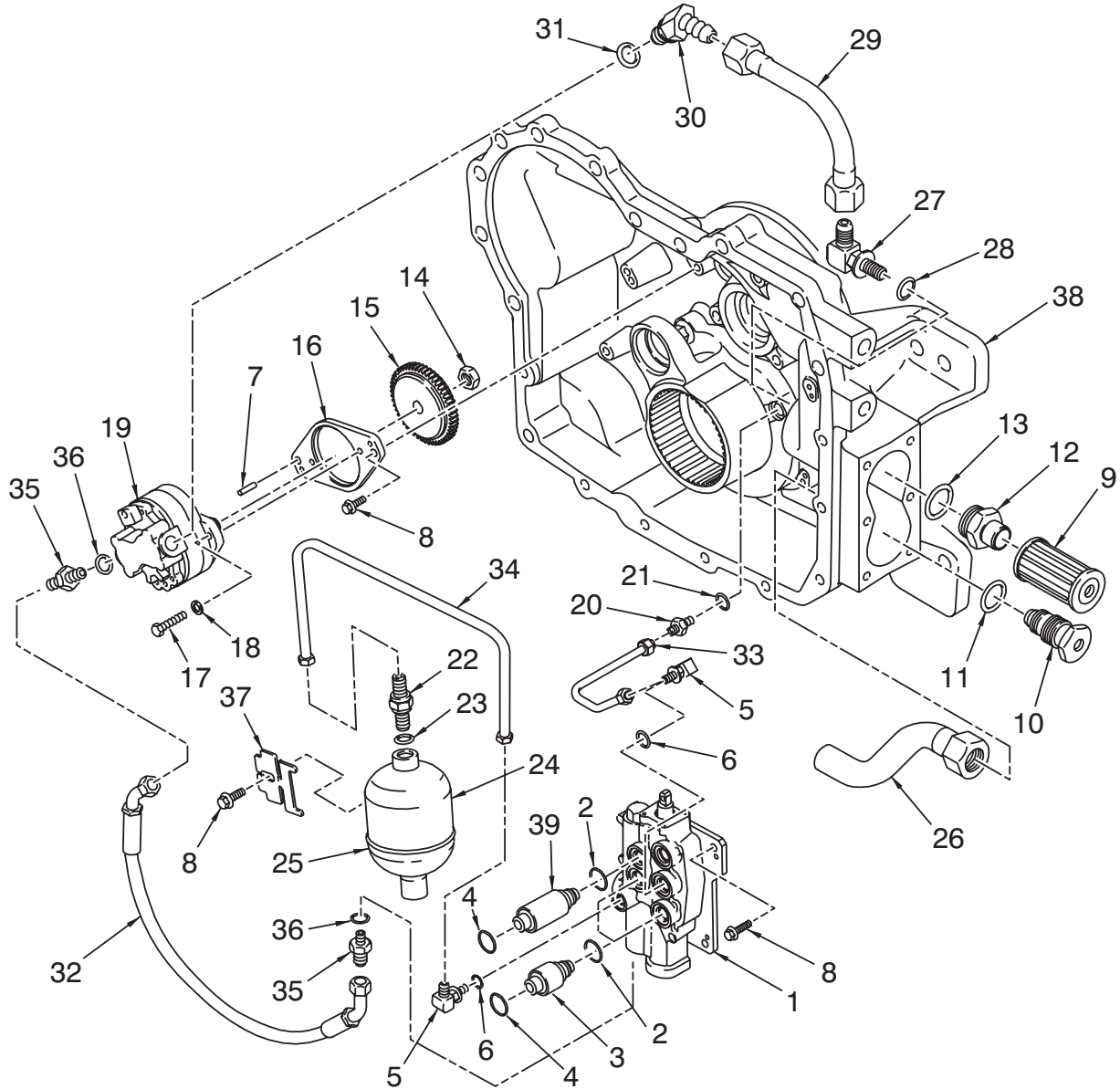
Page 2 of 2

Item	Part No.	Description	Qty	Item	Part No.	Description	Qty
1	-----	Valve, Control (See 3-42 thru 3-89)	1	19	-----	Pump (See 3-90 & 3-91)	1
2	100153W	O-Ring	6	21	110174W	Fitting	1
3	2301820W	Fitting	1	22	16484W	. O-Ring	1
4	16558W	Fitting	1	23	2302110W	Accumulator	1
5	16483W	. O-Ring	1	24	2302078W	Assembly, Tube	1
6	19901W	Pin	2	25	2302079W	Capscrew	1
7	134803W	Capscrew	3	26	201776W	Fitting	1
8	2302079W	Capscrew	1	27	16487W	. O-Ring	1
9	317757W	Strainer	1	28	2300981W	Assembly, Tube	1
10	1310821W	Fitting	1	30	16570W	Fitting	1
11	16983W	. O-Ring	1	31	16486W	. O-Ring	1
12	16544W	Fitting	1	32	1314793W	Hose	1
12A	16487W	. O-Ring (Not Shown)	1	33	2302209W	Assembly, Tube	1
13	2301248W	Assembly, Tube	1	36	16542W	Fitting	1
14	264147W	Nut	1	37	16485W	. O-Ring	1
15	2301069W	Gear, Pump	1	38	-----	Cover, Front	1
16	2300924W	Bracket, Pump Mounting	1	39	16541W	Fitting	2
17	16805W	Capscrew	2	40	16483W	. O-Ring	2
18	15156W	Washer	2	41	2301819W	Fitting	1

Hydraulics - PFO

High PTO Input

Komatsu D32/38/39 (K13)
 Last Used on S/N AW3C-1843
 Komatsu D31/37 (K11)
 Last Used on S/N AW3C-1996
 Page 1 of 2



Recommended Service Kit		
Item	Kit No.	Section
2, 6, 21, 23	2300576W	5-1
2, 4	2303047W	5-1

Hydraulics - PFO**High PTO Input**

Komatsu D32/38/39 (K13)
 Last Used on S/N AW3C-1843
 Komatsu D31/37 (K11)
 Last Used on S/N AW3C-1996
 Page 2 of 2

Item	Part No.	Description	Qty	Item	Part No.	Description	Qty
1	-----	Valve, Control (See 3-42 thru 3-89)	1	23	16483W	. O-Ring	1
2	16484W	O-Ring	3	24	*a 2300426W	Accumulator	1
3	2302839W	Fitting	2		*b 2302110W	Accumulator	1
4	100153W	O-Ring	3	25	*a 1300812W	Clamp	1
5	16558W	Fitting	2		*b 2302109W	Clamp	1
6	16483W	. O-Ring	1	26	1314512W	Assembly, Tube	1
7	19901W	Pin	2	27	16562W	Fitting	1
8	134803W	Capscrew	5	28	16487W	. O-Ring	1
9	317757W	Strainer	1	29	1314513W	Assembly, Tube	1
10	1310820W	Fitting	1	30	222392W	Fitting	1
11	16983W	. O-Ring	1	31	16486W	. O-Ring	1
12	1310821W	Fitting	1	32	1314793W	Assembly, Hose	1
13	16487W	. O-Ring	1	33	2300441W	Assembly, Tube	1
14	264147W	Nut	1	34	2302836W	Assembly, Tube	1
15	2301069W	Gear, Pump	1	35	16542W	Fitting	2
16	1314414W	Bracket, Pump Mounting	1	36	16485W	. O-Ring	1
17	16805W	Capscrew	2	37	2300431W	Bracket	1
18	15156W	Washer	2	38	-----	Cover, Front	1
19	-----	Pump (See 3-90 & 3-91)	1	39	2302801W	Fitting	1
20	16540W	Fitting	1				
21	16483W	. O-Ring	1		*a	Last Used on S/N AW3C-1732	
22	16745W	Fitting	1		*b	First Used on S/N AW3C-1733	

Hydraulics - PFO

High PTO Input

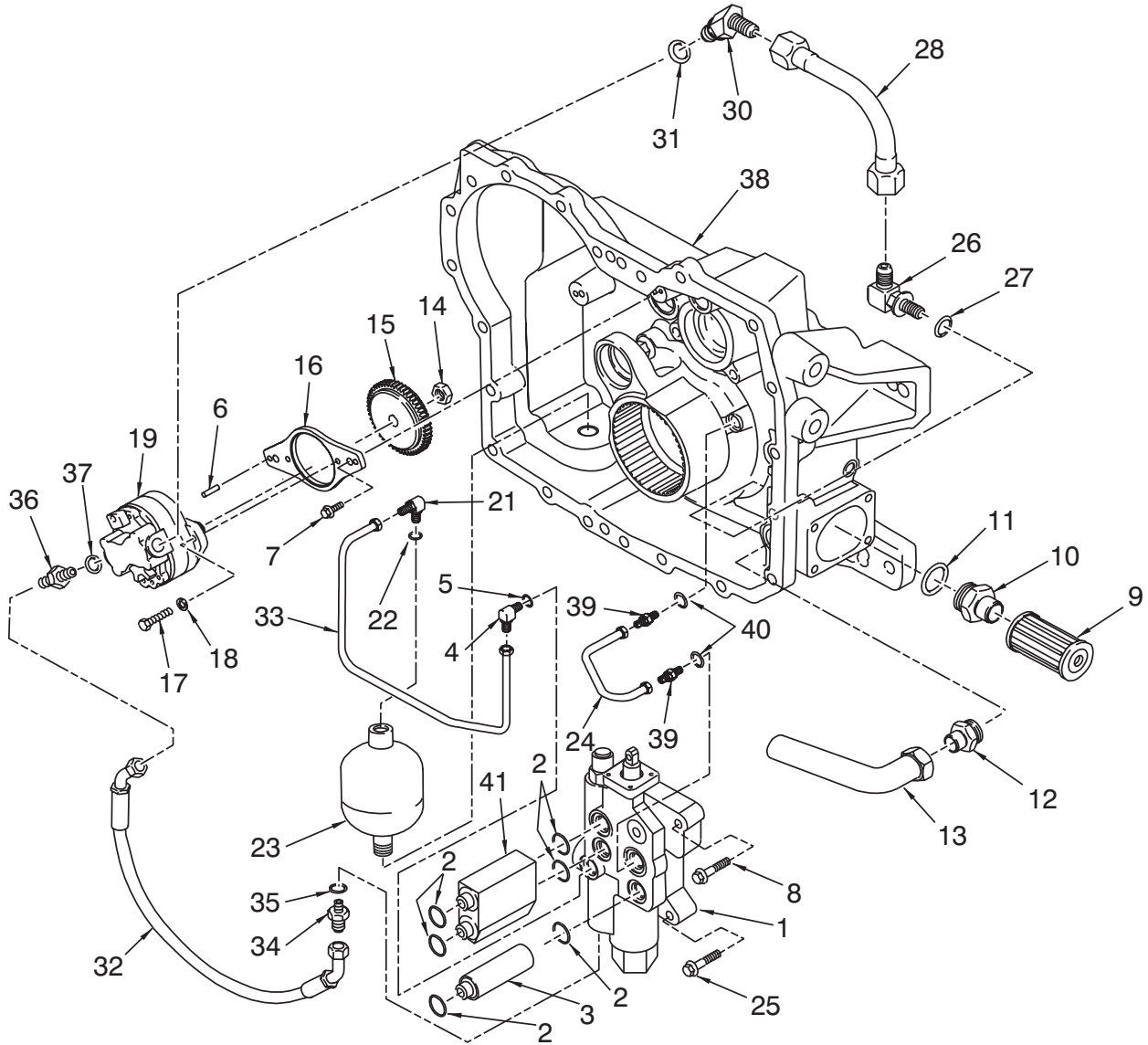
Komatsu D32/38/39 (K13)

Used on S/N AW3C-1844 thru AW3C-2325

Komatsu D31/37 (K11)

Used on S/N AW3C-1997 thru AW3C-2325

Page 1 of 2



Recommended Service Kit		
Item	Kit No.	Section
5, 22, 40	2300576W	5-1
2, 22	2303047W	5-1

Hydraulics - PFO**High PTO Input**

Komatsu D32/38/39 (K13)

Used on S/N AW3C-1844 thru AW3C-2325

Komatsu D31/37 (K11)

Used on S/N AW3C-1997 thru AW3C-2325

Page 2 of 2

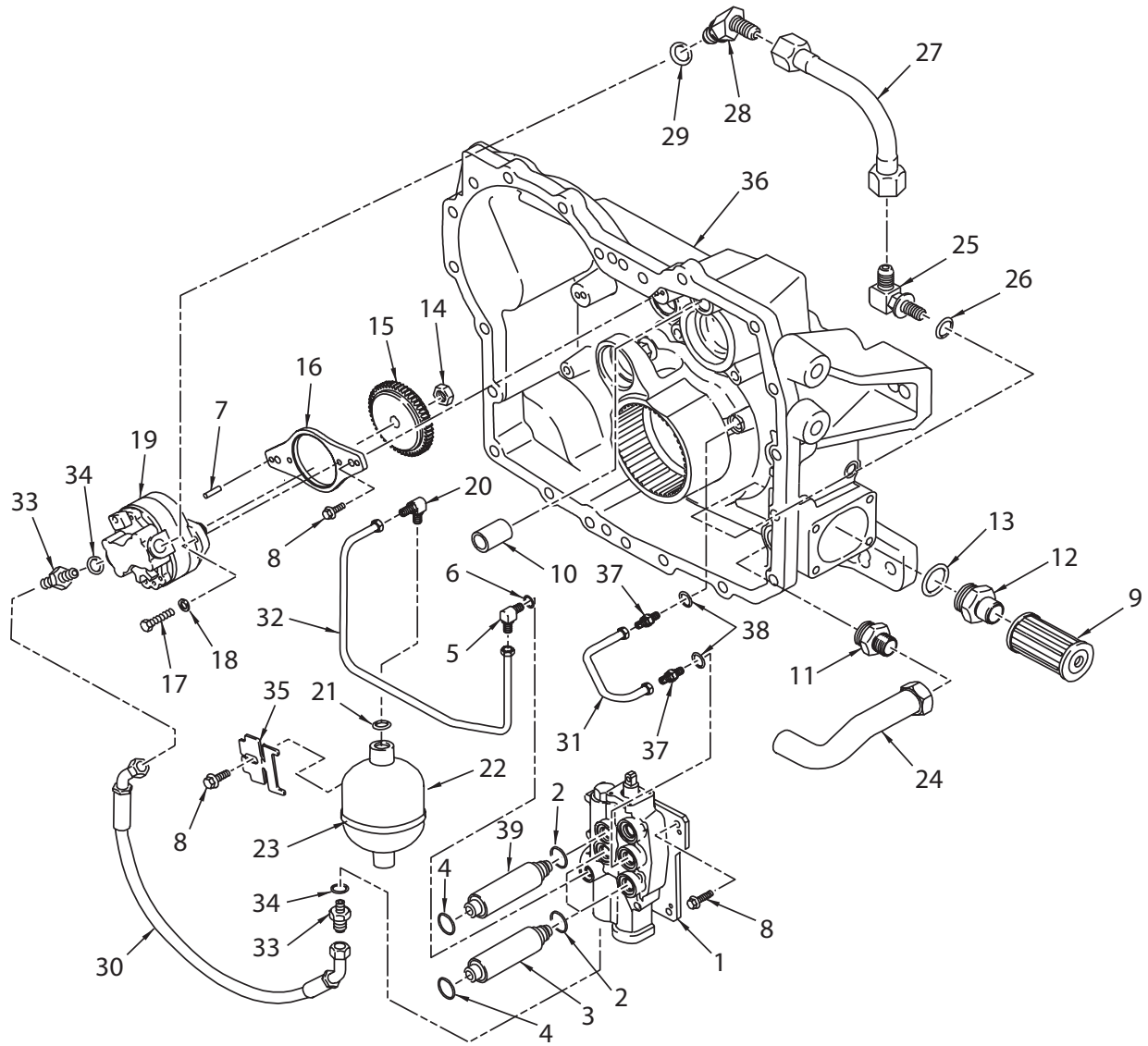
Item	Part No.	Description	Qty	Item	Part No.	Description	Qty
1	-----	Valve, Control (See 3-42 thru 3-89)	1	19	-----	Pump (See 3-90 & 3-91)	1
2	100153W	O-Ring	6	21	110174W	Fitting	1
3	2301820W	Fitting	1	22	16484W	. O-Ring	1
4	16558W	Fitting	1	23	2302110W	Accumulator	1
5	16483W	. O-Ring	1	24	2302078W	Assembly, Tube	1
6	19901W	Pin	2	25	2302079W	Capscrew	1
7	134803W	Capscrew	3	26	201776W	Fitting	1
8	2302079W	Capscrew	1	27	16487W	. O-Ring	1
9	317757W	Strainer	1	28	2300981W	Assembly, Tube	1
10	1310821W	Fitting	1	30	16570W	Fitting	1
11	16983W	. O-Ring	1	31	16486W	. O-Ring	1
12	16544W	Fitting	1	32	1314793W	Hose	1
12A	16487W	. O-Ring (Not Shown)	1	33	2302209W	Assembly, Tube	1
13	2301248W	Assembly, Tube	1	36	16542W	Fitting	1
14	264147W	Nut	1	37	16485W	. O-Ring	1
15	2301069W	Gear, Pump	1	38	-----	Cover, Front	1
16	2300924W	Bracket, Pump Mounting	1	39	16541W	Fitting	2
17	16805W	Capscrew	2	40	16483W	. O-Ring	2
18	15156W	Washer	2	41	2301819W	Fitting	1

Hydraulics - PFR

High PTO Input

Last Used on S/N AW3C-1843

Page 1 of 2



Recommended Service Kit		
Item	Kit No.	Section
2, 6, 21, 26, 38	2300576W	5-1
2, 4, 21,	2303047W	5-1

Hydraulics - PFR

High PTO Input

Last Used on S/N AW3C-1843

Page 2 of 2

Item	Part No.	Description	Qty	Item	Part No.	Description	Qty
1	-----	Valve, Control (See 3-42 thru 3-89)	1	23	*c 1300812W	Clamp	1
2	16484W	O-Ring	3		*d 2302109W	Clamp	1
3	2302840W	Fitting	2	24	2301248W	Assembly, Tube	1
4	100153W	O-Ring	3	25	201776W	Fitting	1
5	16558W	Fitting	2	26	16483W	. O-Ring	1
6	16483W	. O-Ring	1	27	2300981W	Assembly, Tube	1
7	19901W	Pin	2	28	16570W	Fitting	1
8	134803W	Capscrew	5	29	16486W	. O-Ring	1
9	317757W	Strainer	1	30	1314793W	Assembly, Hose	1
10	*a 2301174W	Race, Inner Bearing	1	31	2300980W	Assembly, Tube	1
	*b 2301170W	Race, Inner Bearing	1	32	2302209W	Assembly, Tube	1
11	16544W	Fitting	1	33	16542W	Fitting	2
12	1310821W	Fitting	1	34	16485W	. O-Ring	1
13	16487W	. O-Ring	1	35	2300431W	Bracket	1
14	264147W	Nut	1	36	-----	Cover, Front	1
15	2301069W	Gear, Pump	1	37	16541W	Fitting	2
16	2300924W	Bracket, Pump Mounting	1	38	16483W	. O-Ring	2
17	16805W	Capscrew	2	39	2302801W	Fitting (with Orifice)	1
18	15156W	Washer	2				
19	-----	Pump (See 3-90 & 3-91)	1		*a	Last Used on S/N AW3C-1789	
20	110174W	Fitting	1		*b	First Used on S/N AW3C-1790	
21	16484W	. O-Ring	1		*c	Last Used on S/N AW3C-1732	
22	*c 2300426W	Accumulator	1		*d	First Used on S/N AW3C-1733	
	*d 2302110W	Accumulator	1				

Hydraulics - PFR

High PTO Input

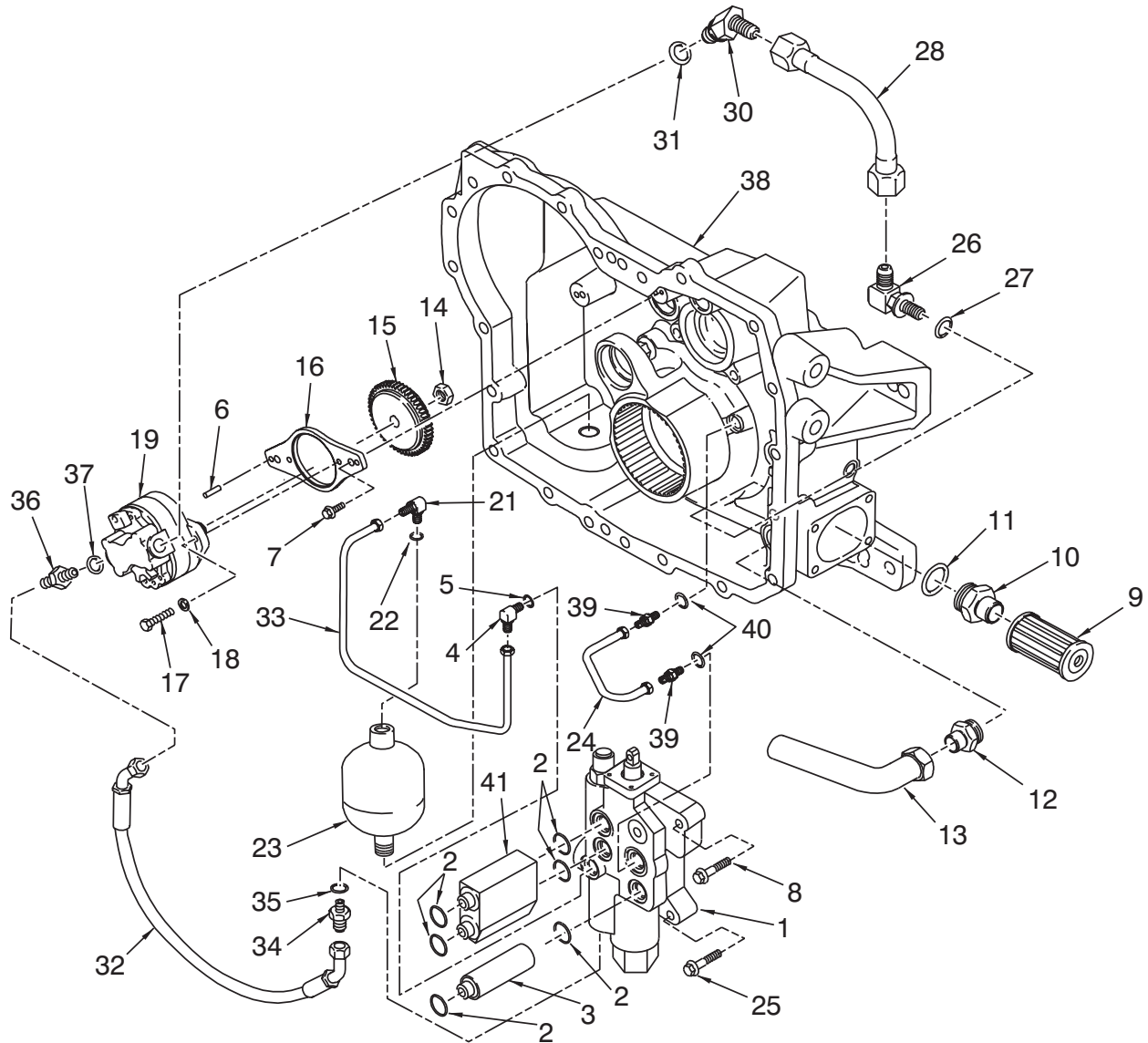
Caterpillar D3/4/5C Hystat (C16)

Used on S/N AW3C-1000 thru AW3C-2263

All Other Applications

Used on S/N AW3C-1000 thru AW3C-2325

Page 1 of 2



Recommended Service Kit		
Item	Kit No.	Section
5, 22, 40	2300576W	5-1
2, 22	2303047W	5-1

Hydraulics - PFR

High PTO Input

Caterpillar D3/4/5C Hystat (C16)

Used on S/N AW3C-1000 thru AW3C-2263

All Other Applications

Used on S/N AW3C-1000 thru AW3C-2325

Page 2 of 2

Item	Part No.	Description	Qty	Item	Part No.	Description	Qty
1	-----	Valve, Control (See 3-42 thru 3-89)	1	19	-----	Pump (See 3-90 & 3-91)	1
2	100153W	O-Ring	6	21	110174W	Fitting	1
3	2301820W	Fitting	1	22	16484W	. O-Ring	1
4	16558W	Fitting	1	23	2302110W	Accumulator	1
5	16483W	. O-Ring	1	24	2302078W	Assembly, Tube	1
6	19901W	Pin	2	25	2302079W	Capscrew	1
7	134803W	Capscrew	3	26	201776W	Fitting	1
8	2302079W	Capscrew	1	27	16487W	. O-Ring	1
9	317757W	Strainer	1	28	2300981W	Assembly, Tube	1
10	1310821W	Fitting	1	30	16570W	Fitting	1
11	16983W	. O-Ring	1	31	16486W	. O-Ring	1
12	16544W	Fitting	1	32	1314793W	Assembly, Hose	1
12A	16487W	. O-Ring (Not Shown)	1	33	2302209W	Assembly, Tube	1
13	2301248W	Assembly, Tube	1	36	16542W	Fitting	1
14	264147W	Nut	1	37	16485W	. O-Ring	1
15	2301069W	Gear, Pump	1	38	-----	Cover, Front	1
16	2300924W	Bracket, Pump Mounting	1	39	16541W	Fitting	2
17	16805W	Capscrew	2	40	16483W	. O-Ring	2
18	15156W	Washer	2	41	2301819W	Fitting	1

Hydraulics - PFR

High PTO Input

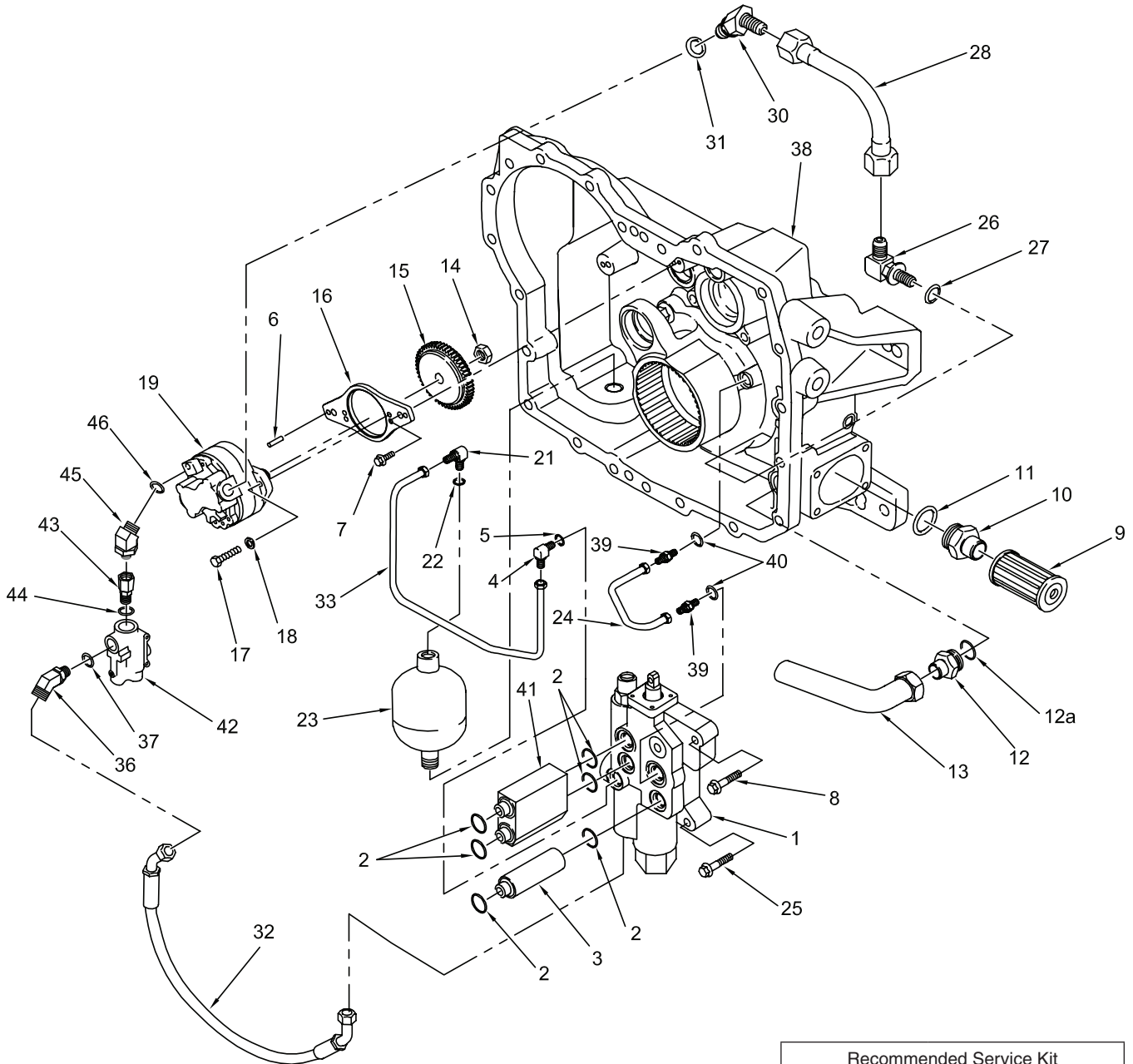
Caterpillar D3/4/5C Hystat (C16)

First Used on S/N AW3C-2264

All Other Applications

First Used on S/N AW3C-2326

Page 1 of 2



Recommended Service Kit		
Item	Kit No.	Section
22, 37, 40, 44	2300576W	5-1
2, 22, 37, 40, 44	2303047W	5-1

Hydraulics - PFR

High PTO Input

Caterpillar D3/4/5C Hystat (C16)

First Used on S/N AW3C-2264

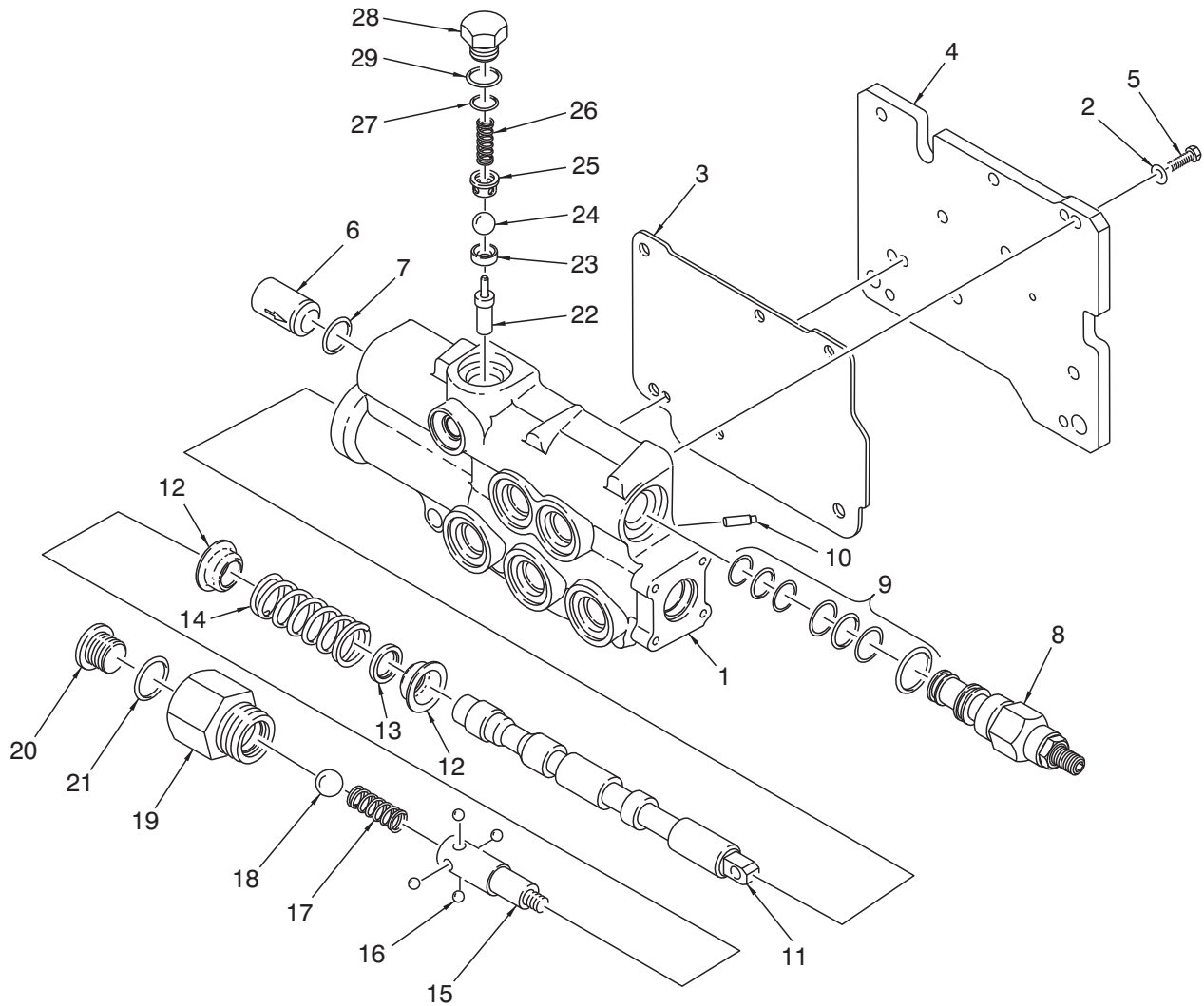
All Other Applications

First Used on S/N AW3C-2326

Page 2 of 2

Item	Part No.	Description	Qty	Item	Part No.	Description	Qty
1	-----	Valve, Control (See 3-42 thru 3-89)	1	24	2302078W	Assembly, Tube	1
2	100153W	O-Ring	6	25	2302079W	Capscrew	1
3	2301820W	Fitting	1	26	201776W	Fitting	1
4	201766W	Fitting	1	27	16487W	. O-Ring	1
5	16487W	. O-Ring	1	28	2300981W	Assembly, Tube	1
6	19901W	Pin	2	30	16570W	Fitting	1
7	134803W	Capscrew	3	31	16486W	. O-Ring	1
8	2302079W	Capscrew	1	32	*a 2303470W	Assembly, Hose	1
9	317757W	Strainer	1	32	2303591W	Assembly, Hose	1
10	1310821W	Fitting	1	33	2303329W	Assembly, Tube	1
11	16983W	. O-Ring	1	36	16568W	Fitting	1
12	16544W	Fitting	1	37	16484W	. O-Ring	1
12A	16487W	. O-Ring	1	38	-----	Cover, Front	1
13	2301248W	Assembly, Tube	1	39	16541W	Fitting	2
14	264147W	Nut	1	40	16484W	. O-Ring	2
15	2301069W	Gear, Pump	1	41	2303334W	Fitting	1
16	2303625W	Bracket, Pump Mounting	1	42	2303467W	Regulator, Flow	1
17	16805W	Capscrew	2	43	2303469W	Fitting	1
18	15156W	Washer	2	44	16484W	. O-Ring	1
19	-----	Pump (See 3-90 & 3-91)	1	45	201752W	Fitting	1
20	2302208W	Fitting	1	46	16485W	. O-Ring	1
	16485W	. O-Ring	1				
21	110174W	Fitting	1		*a	Used on S/N AW3C-2264 thru AW3C-2322 on Caterpillar 3/4/5C Hystat (C16)	
22	16484W	. O-Ring	1				
23	2302110W	Accumulator	1				

Control Valve - PFO
High & Low PTO Input
Last Used on S/N AW3C-1843
Page 1 of 2



Control Valve - PFO
 High & Low PTO Input
 Last Used on S/N AW3C-1843
 Page 2 of 2

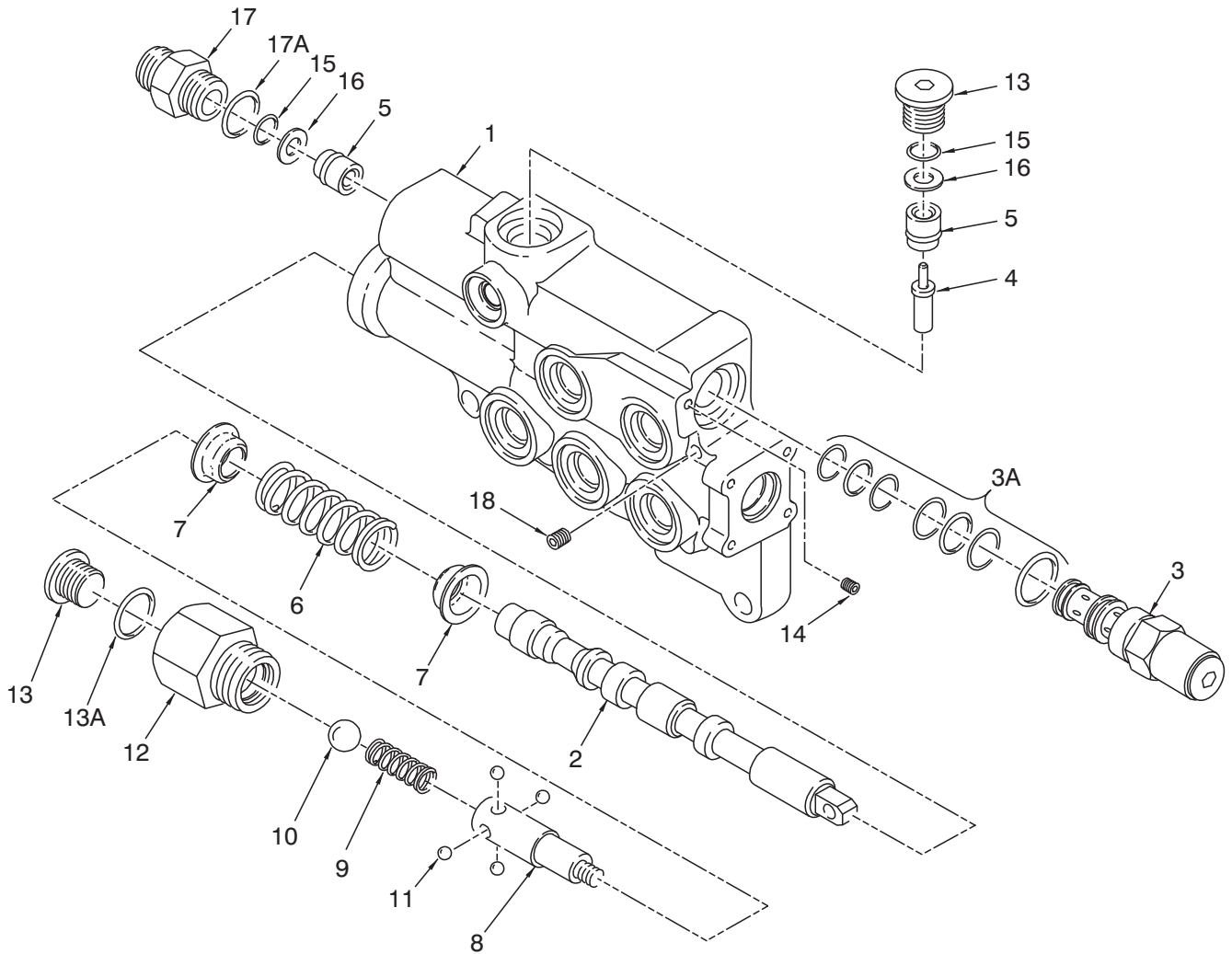
Item	Part No.	Description	Qty	Item	Part No.	Description	Qty
	2300462W	Valve, Control	1				
1	NSS	. Body, Valve	1	17	2300285W	. Spring, Detent	1
2	18425W	. Washer	10	18	330596W	. Ball, Steel	1
3	2301082W	. Gasket	1	19	1314563W	. Cap, End	1
4	2300466W	. Plate, Cover	1	20	233693W	. Fitting	1
5	*a 16334W	. Capscrew	10	21	16485W	. . O-Ring	1
6	1314660W	. Valve, Check	1	22	1314592W	. Spool	1
7	39349W	. O-Ring	1	23	1314599W	. Seat	1
8	*b 2300967W	. Valve, Relief	1	24	5586W	. Ball, Steel	1
	*c 2301400W	. Valve, Relief	1	25	1314591W	. Retainer	1
9	2300179W	. . Kit, Seal	1	26	1314590W	. Spring	1
10	2300187W	. Cartridge, Check	1	27	60653W	. O-Ring	1
11	NSS	. Spool	1	28	1314589W	. Plug	1
12	166905W	. Spacer, Centering	2	29	16484W	. . O-Ring	1
13	1314575W	. Spacer	1				
14	1314556W	. Spring, Centering	1				
15	*a 1314562W	. End, Spool	1				
16	61141W	. Ball, Steel	4				
					*a	Use 251099W Adhesive Sealant	
					*b	Last Used on S/N AW3C-1649	
					*c	First Used on S/N AW3C-1650	

Control Valve - PFO

Case

Used on S/N AW3C-1844 thru AW3C-2178

Page 1 of 2



Control Valve - PFO

Case

Used on S/N AW3C-1844 thru AW3C-2178

Page 2 of 2

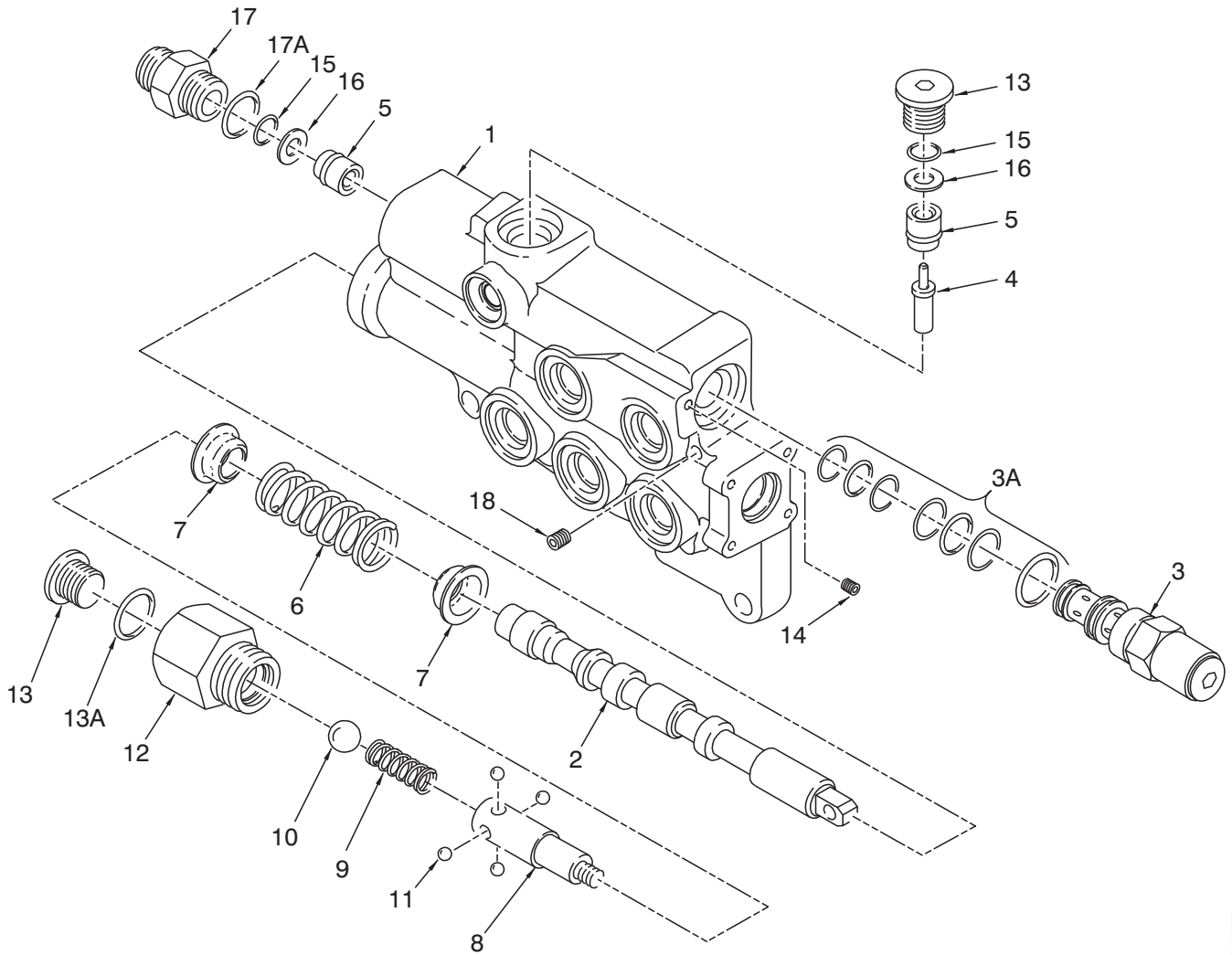
Item	Part No.	Description	Qty	Item	Part No.	Description	Qty
	2302233W	Valve, Control	1				
1	NSS	. Body, Valve	1	12	2302227W	. Sleeve, Detent	1
2	NSS	. Spool	1	13	233693W	. Fitting	2
3	*b 2303125W	. Valve, Relief	1	13A	16485W	. . O-Ring	1
	*c 2302203W	. Valve, Relief	1	14	2302236W	. Plug, Expander	1
3A	2300179W	. . Kit, Seal	1	15	209083W	. O-Ring	2
4	2302230W	. Poppet	1	16	2302231W	. Washer	2
5	2300446W	. Valve, Check	2	17	16542W	. Fitting	1
5A	252729W	. . O-Ring	1	17A	16485W	. . O-Ring	1
6	1314556W	. Spring	1	18	*a 221292W	. Screw, Set	1
7	2302226W	. Stop, Cup	2				
8	2302229W	. Retainer, Detent	1		*a	Use 383789W Adhesive Sealant	
9	2300285W	. Spring	1		*b	Last Used on S/N AW3C-1901	
10	330596W	. Ball, Steel	1		*c	First Used on S/N AW3C-1902	
11	61141W	. Ball, Steel	4				

Control Valve - PFO

Case

Used on S/N AW3C-2179 thru AW3C-2325

Page 1 of 2



Control Valve - PFO

Case

Used on S/N AW3C-2179 thru AW3C-2325

Page 2 of 2

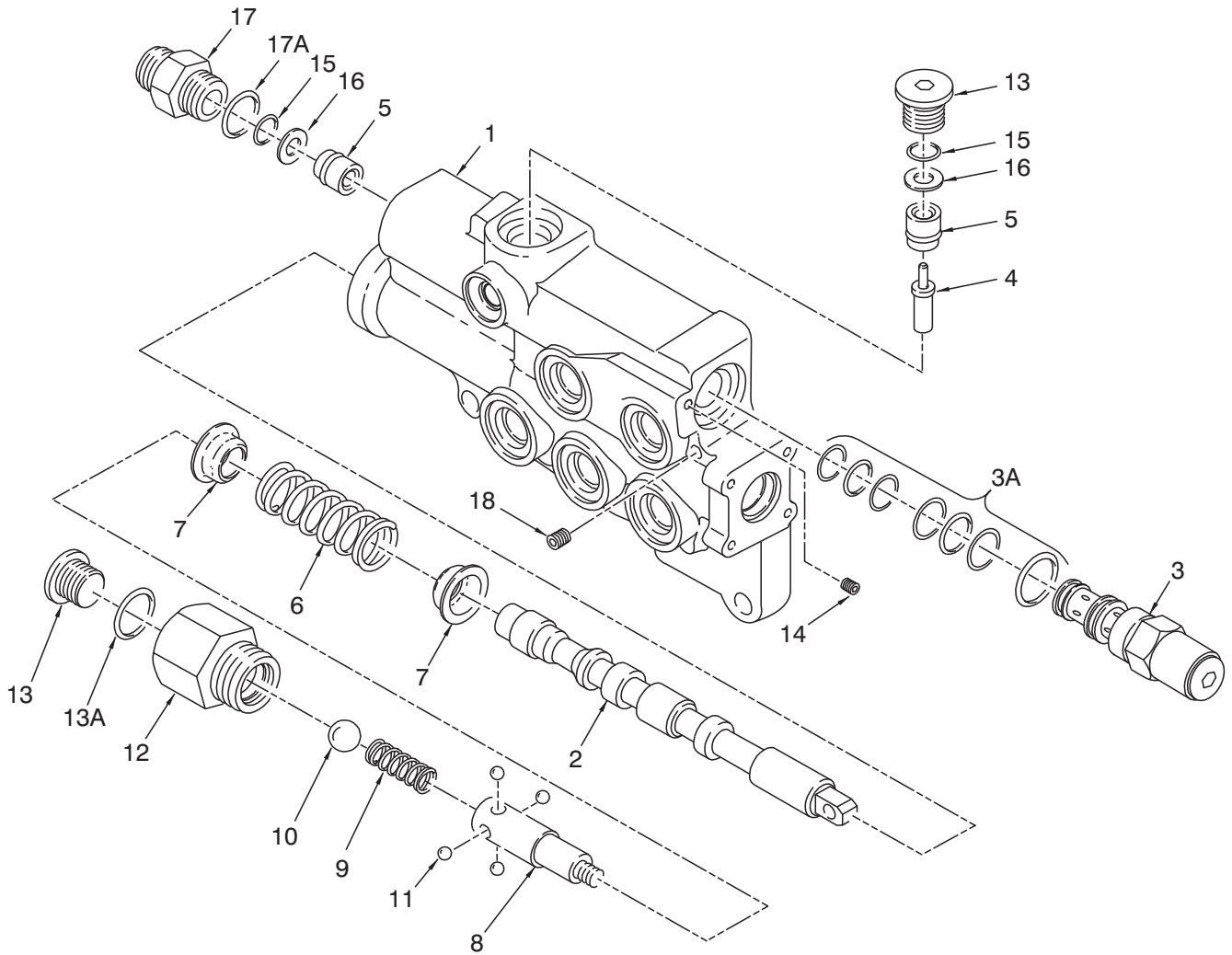
Item	Part No.	Description	Qty	Item	Part No.	Description	Qty
	2303165W	Valve, Control	1				
1	NSS	. Body, Valve	1	12	2302227W	. Sleeve, Detent	1
2	NSS	. Spool	1	13	233693W	. Fitting	2
3	*b 2303125W	. Valve, Relief	1	13A	16485W	. . O-Ring	1
	*c 2302203W	. Valve, Relief	1	14	2302236W	. Plug, Expander	1
3A	2300179W	. . Kit, Seal	1	15	209083W	. O-Ring	2
4	2302230W	. Poppet	1	16	2302231W	. Washer	2
5	2300446W	. Valve, Check	2	17	16542W	. Fitting	1
5A	252729W	. . O-Ring	1	17A	16485W	. . O-Ring	1
6	1314556W	. Spring	1	18	*a 221292W	. Screw, Set	1
7	2302226W	. Cup, Stop	2				
8	2302229W	. Retainer, Detent	1		*a	Use 383789W Adhesive Sealant	
9	2300285W	. Spring	1		*b	Last Used on S/N AW3C-1901	
10	330596W	. Ball, Steel	1		*c	First Used on S/N AW3C-1902	
11	61141W	. Ball, Steel	4				

Control Valve - PFO

Caterpillar D4E (C15)

Used on S/N AW3C-1844 thru AW3C-2178

Page 1 of 2



Control Valve - PFO
 Caterpillar D4E (C15)
 Used on S/N AW3C-1844 thru AW3C-2178
 Page 2 of 2

Item	Part No.	Description	Qty	Item	Part No.	Description	Qty
	2302233W	Valve, Control	1				
1	NSS	. Body, Valve	1	12	2302227W	. Sleeve, Detent	1
2	NSS	. Spool	1	13	233693W	. Fitting	2
3	*b 2303125W	. Valve, Relief	1	13A	16485W	. . O-Ring	1
	*c 2302203W	. Valve, Relief	1	14	2302236W	. Plug, Expander	1
3A	2300179W	. . Kit, Seal	1	15	209083W	. O-Ring	2
4	2302230W	. Poppet	1	16	2302231W	. Washer	2
5	2300446W	. Valve, Check	2	17	16542W	. Fitting	1
5A	252729W	. . O-Ring	1	17A	16485W	. . O-Ring	1
6	1314556W	. Spring	1	18	*a 221292W	. Screw, Set	1
7	2302226W	. Stop, Cup	2				
8	2302229W	. Retainer, Detent	1		*a	Use 383789W Adhesive Sealant	
9	2300285W	. Spring	1		*b	Last Used on S/N AW3C-1901	
10	330596W	. Ball, Steel	1		*c	First Used on S/N AW3C-1902	
11	61141W	. Ball, Steel	4				

Control Valve - PFO

Caterpillar D3/4/5B&C DD & PS (C14), D4H (C360/361/362), D5H (C371) & D5M (C30)

Used on S/N AW3C-1844 thru AW3C-2325

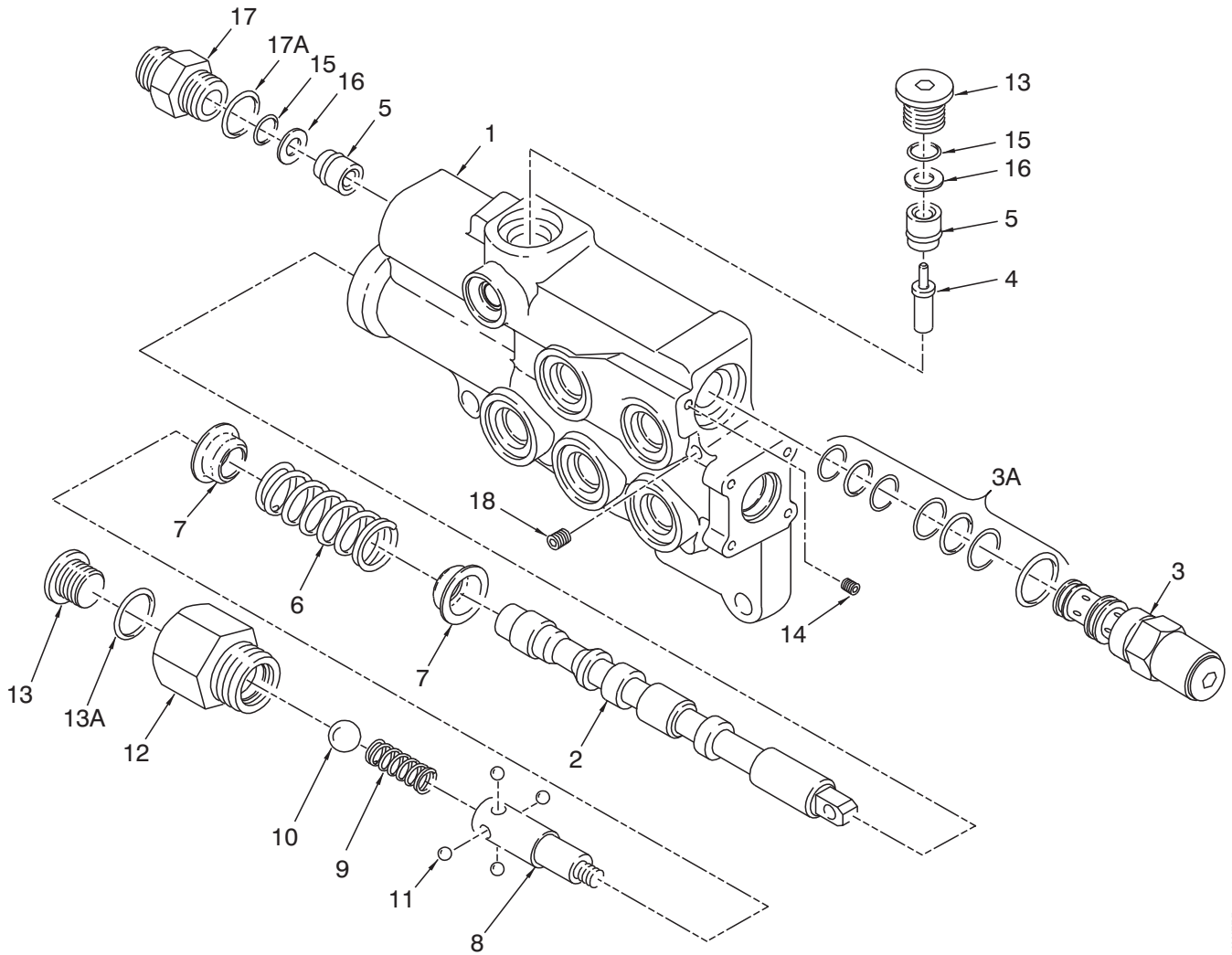
Caterpillar D3/4/5C Hystat (C16)

Used on S/N AW3C-1997 thru AW3C-2263

Caterpillar D4E (C15)

Used on S/N AW3C-2179 thru AW3C-2325

Page 1 of 2



Control Valve - PFO

Caterpillar D3/4/5B&C DD & PS (C14), D4H (C360/361/362), D5H (C371) & D5M (C30)

Used on S/N AW3C-1844 thru AW3C-2325

Caterpillar D3/4/5C Hystat (C16)

Used on S/N AW3C-1997 thru AW3C-2263

Caterpillar D4E (C15)

Used on S/N AW3C-2179 thru AW3C-2325

Page 2 of 2

Item	Part No.	Description	Qty	Item	Part No.	Description	Qty
	2303165W	Valve, Control	1				
1	NSS	. Body, Valve	1	12	2302227W	. Sleeve, Detent	1
2	NSS	. Spool	1	13	233693W	. Fitting	2
3	*b 2303125W	. Valve, Relief	1	13A	16485W	. . O-Ring	1
	*c 2302203W	. Valve, Relief	1	14	2302236W	. Plug, Expander	1
3A	2300179W	. . Kit, Seal	1	15	209083W	. O-Ring	2
4	2302230W	. Poppet	1	16	2302231W	. Washer	2
5	2300446W	. Valve, Check	2	17	16542W	. Fitting	1
5A	252729W	. . O-Ring	1	17A	16485W	. . O-Ring	1
6	1314556W	. Spring	1	18	*a 221292W	. Screw, Set	1
7	2302226W	. Cup, Stop	2				
8	2302229W	. Retainer, Detent	1		*a	Use 383789W Adhesive Sealant	
9	2300285W	. Spring	1		*b	Last Used on S/N AW3C-1901	
10	330596W	. Ball, Steel	1		*c	First Used on S/N AW3C-1902	
11	61141W	. Ball, Steel	4				

Control Valve - PFO

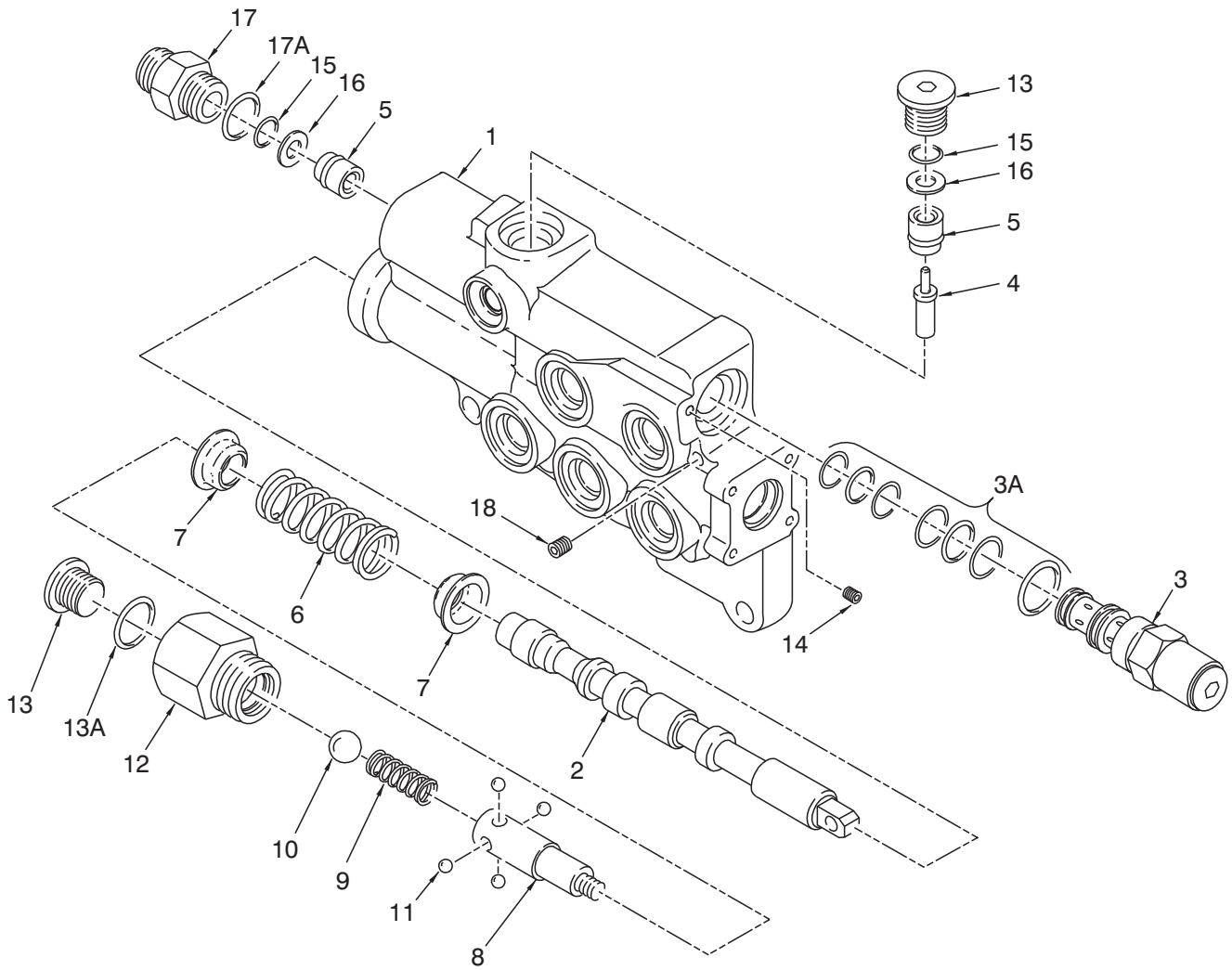
Caterpillar D3/4/5C Hystat (C16)

First Used on S/N AW3C-2264

All Other Applications

First Used on S/N AW3C-2326

Page 1 of 2



Control Valve - PFO
 Caterpillar D3/4/5C Hystat (C16)
 First Used on S/N AW3C-2264
 All Other Applications
 First Used on S/N AW3C-2326
 Page 2 of 2

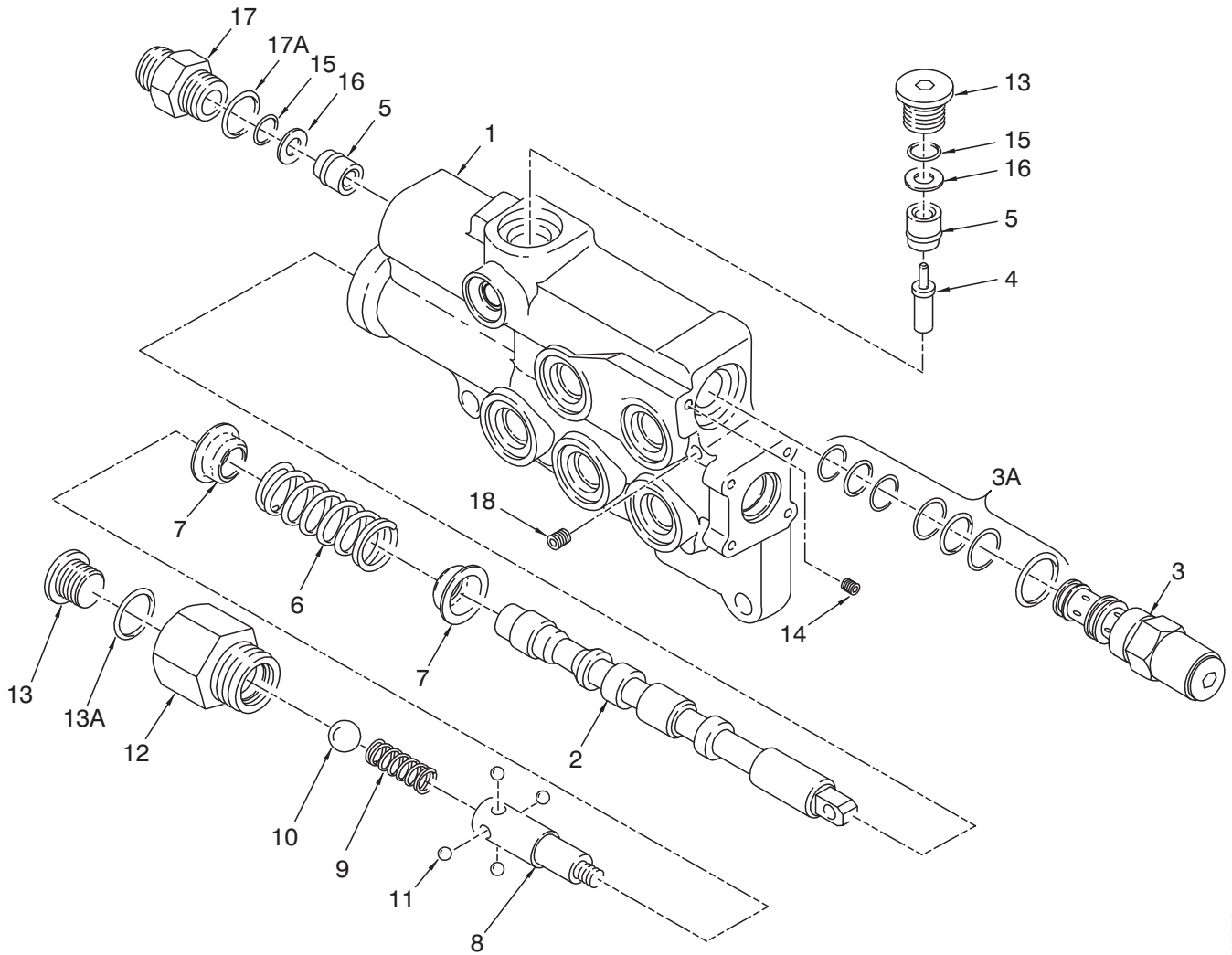
Item	Part No.	Description	Qty	Item	Part No.	Description	Qty
	2303592W	Valve, Control	1				
1	NSS	. Body, Valve	1	11	61141W	. Ball, Steel	4
2	NSS	. Spool	1	12	2305484W	. Sleeve, Detent	1
3	2302203W	. Valve, Relief	1	13	233693W	. Fitting	2
3A	2300179W	. . Kit, Seal	1	13A	16485W	. . O-Ring	1
4	2302230W	. Poppet	1	14	2302236W	. Plug, Expander	1
5	2300446W	. Valve, Check	2	15	209083W	. O-Ring	2
5A	252729W	. . O-Ring	1	16	2302231W	. Washer	2
6	1314556W	. Spring	1	17	16909W	. Fitting	1
7	2302226W	. Cup, Stop	2	17A	16485W	. . O-Ring	1
8	2302229W	. Retainer, Detent	1	18	*a 221292W	. Screw, Set	1
9	2300285W	. Spring	1				
10	330596W	. Ball, Steel	1		*a Use 383789W Adhesive Sealant		

Control Valve - PFO

Dresser/Dressta

Used on S/N AW3C-1844 thru AW3C-2325

Page 1 of 2



Control Valve - PFO

Dresser/Dressta

Used on S/N AW3C-1844 thru AW3C-2325

Page 2 of 2

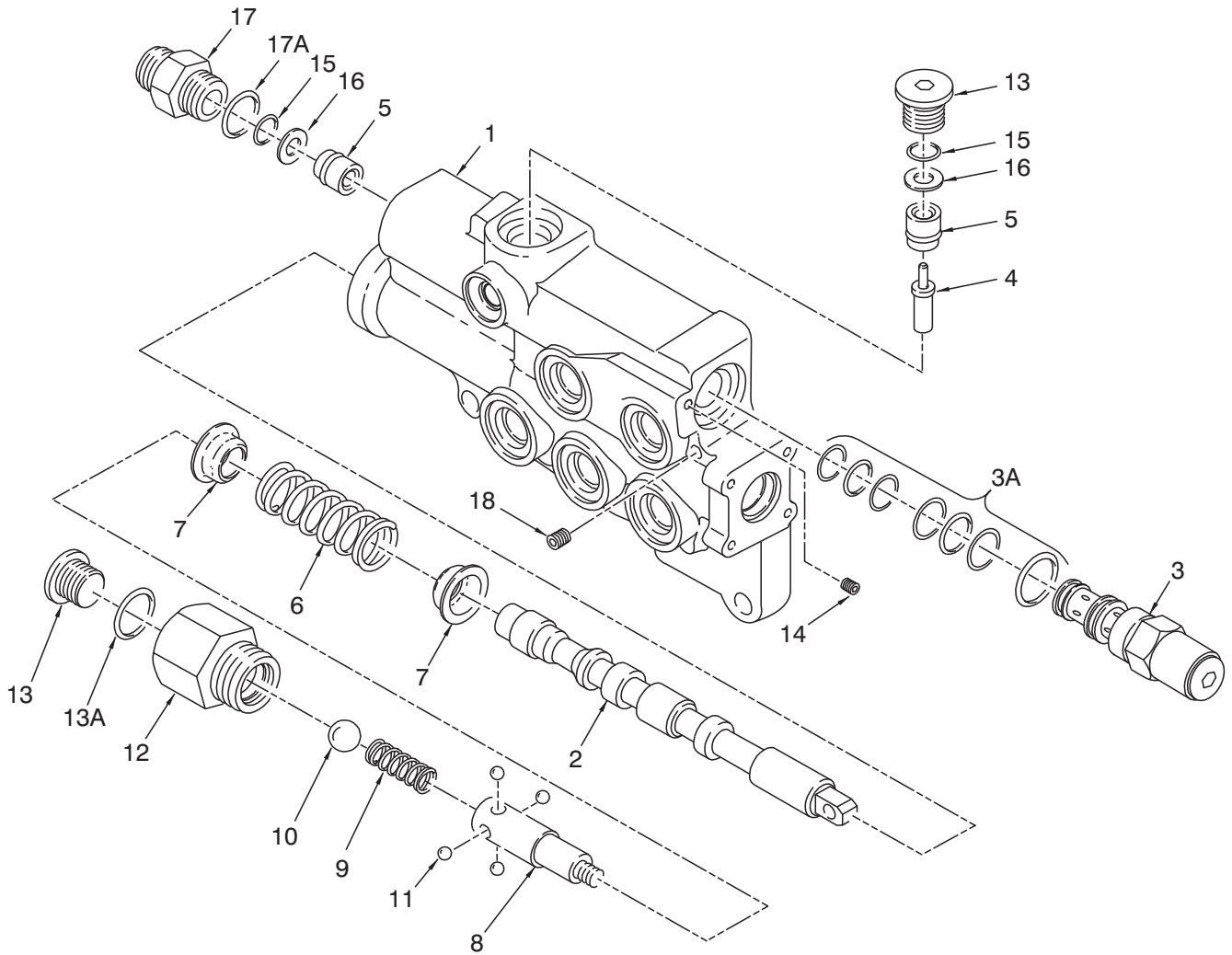
Item	Part No.	Description	Qty	Item	Part No.	Description	Qty
	2303165W	Valve, Control	1				
1	NSS	. Body, Valve	1	12	2302227W	. Sleeve, Detent	1
2	NSS	. Spool	1	13	233693W	. Fitting	2
3	*b 2303125W	. Valve, Relief	1	13A	16485W	. . O-Ring	1
	*c 2302203W	. Valve, Relief	1	14	2302236W	. Plug, Expander	1
3A	2300179W	. . Kit, Seal	1	15	209083W	. O-Ring	2
4	2302230W	. Poppet	1	16	2302231W	. Washer	2
5	2300446W	. Valve, Check	2	17	16542W	. Fitting	1
5A	252729W	. . O-Ring	1	17A	16485W	. . O-Ring	1
6	1314556W	. Spring	1	18	*a 221292W	. Screw, Set	1
7	2302226W	. Cup, Stop	2				
8	2302229W	. Retainer, Detent	1		*a	Use 383789W Adhesive Sealant	
9	2300285W	. Spring	1		*b	Last Used on S/N AW3C-1901	
10	330596W	. Ball, Steel	1		*c	First Used on S/N AW3C-1902	
11	61141W	. Ball, Steel	4				

Control Valve - PFO

Fiat-Hitachi/New Holland

Used on S/N AW3C-1844 thru AW3C-2178

Page 1 of 2

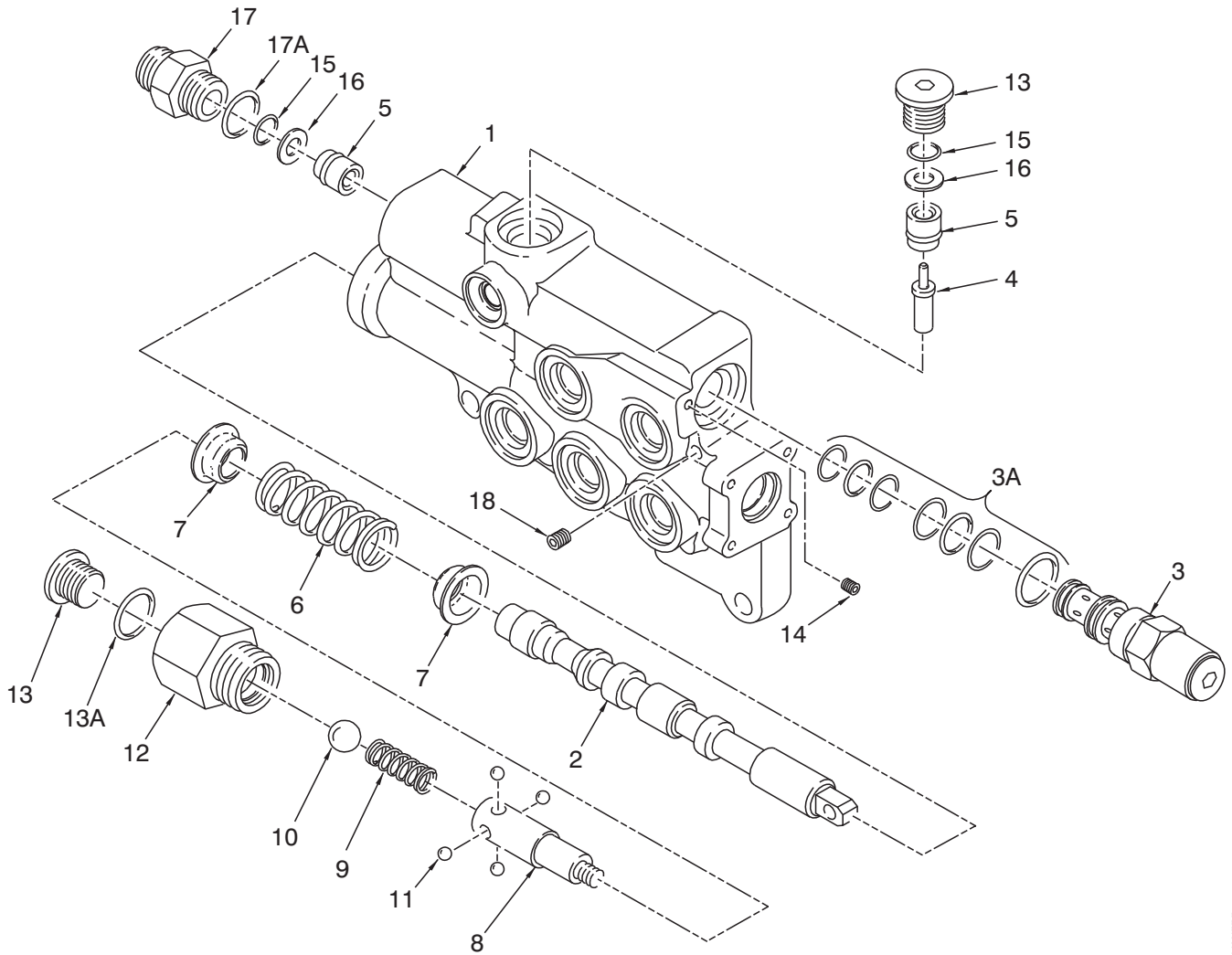


Control Valve - PFO
 Fiat-Hitachi/New Holland
 Used on S/N AW3C-1844 thru AW3C-2178
 Page 2 of 2

Item	Part No.	Description	Qty	Item	Part No.	Description	Qty
	2302233W	Valve, Control	1				
1	NSS	. Body, Valve	1	12	2302227W	. Sleeve, Detent	1
2	NSS	. Spool	1	13	233693W	. Fitting	2
3	*b 2303125W	. Valve, Relief	1	13A	16485W	. . O-Ring	1
	*c 2302203W	. Valve, Relief	1	14	2302236W	. Plug, Expander	1
3A	2300179W	. . Kit, Seal	1	15	209083W	. O-Ring	2
4	2302230W	. Poppet	1	16	2302231W	. Washer	2
5	2300446W	. Valve, Check	2	17	16542W	. Fitting	1
5A	252729W	. . O-Ring	1	17A	16485W	. . O-Ring	1
6	1314556W	. Spring	1	18	*a 221292W	. Screw, Set	1
7	2302226W	. Stop, Cup	2				
8	2302229W	. Retainer, Detent	1		*a	Use 383789W Adhesive Sealant	
9	2300285W	. Spring	1		*b	Last Used on S/N AW3C-1901	
10	330596W	. Ball, Steel	1		*c	First Used on S/N AW3C-1902	
11	61141W	. Ball, Steel	4				

Control Valve - PFO

Fiat-Hitachi/New Holland
Used on S/N AW3C-2179 thru AW3C-2325
Page 1 of 2



Control Valve - PFO

Fiat-Hitachi/New Holland

Used on S/N AW3C-2179 thru AW3C-2325

Page 2 of 2

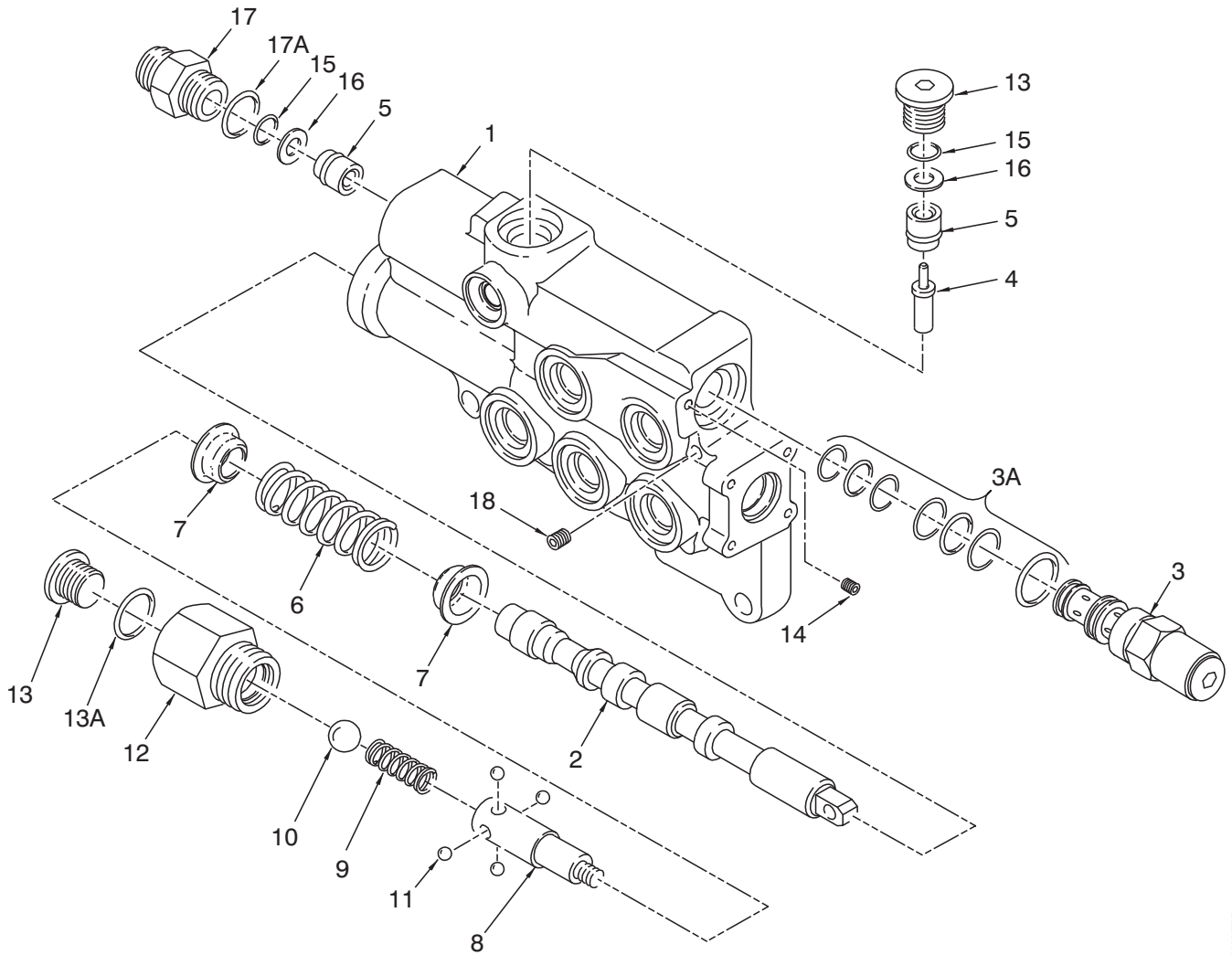
Item	Part No.	Description	Qty	Item	Part No.	Description	Qty
	2303165W	Valve, Control	1				
1	NSS	. Body, Valve	1	12	2302227W	. Sleeve, Detent	1
2	NSS	. Spool	1	13	233693W	. Fitting	2
3	*b 2303125W	. Valve, Relief	1	13A	16485W	. . O-Ring	1
	*c 2302203W	. Valve, Relief	1	14	2302236W	. Plug, Expander	1
3A	2300179W	. . Kit, Seal	1	15	209083W	. O-Ring	2
4	2302230W	. Poppet	1	16	2302231W	. Washer	2
5	2300446W	. Valve, Check	2	17	16542W	. Fitting	1
5A	252729W	. . O-Ring	1	17A	16485W	. . O-Ring	1
6	1314556W	. Spring	1	18	*a 221292W	. Screw, Set	1
7	2302226W	. Cup, Stop	2				
8	2302229W	. Retainer, Detent	1		*a	Use 383789W Adhesive Sealant	
9	2300285W	. Spring	1		*b	Last Used on S/N AW3C-1901	
10	330596W	. Ball, Steel	1		*c	First Used on S/N AW3C-1902	
11	61141W	. Ball, Steel	4				

Control Valve - PFO

John Deere

Used on S/N AW3C-1997 thru AW3C-2325

Page 1 of 2



Control Valve - PFO

John Deere

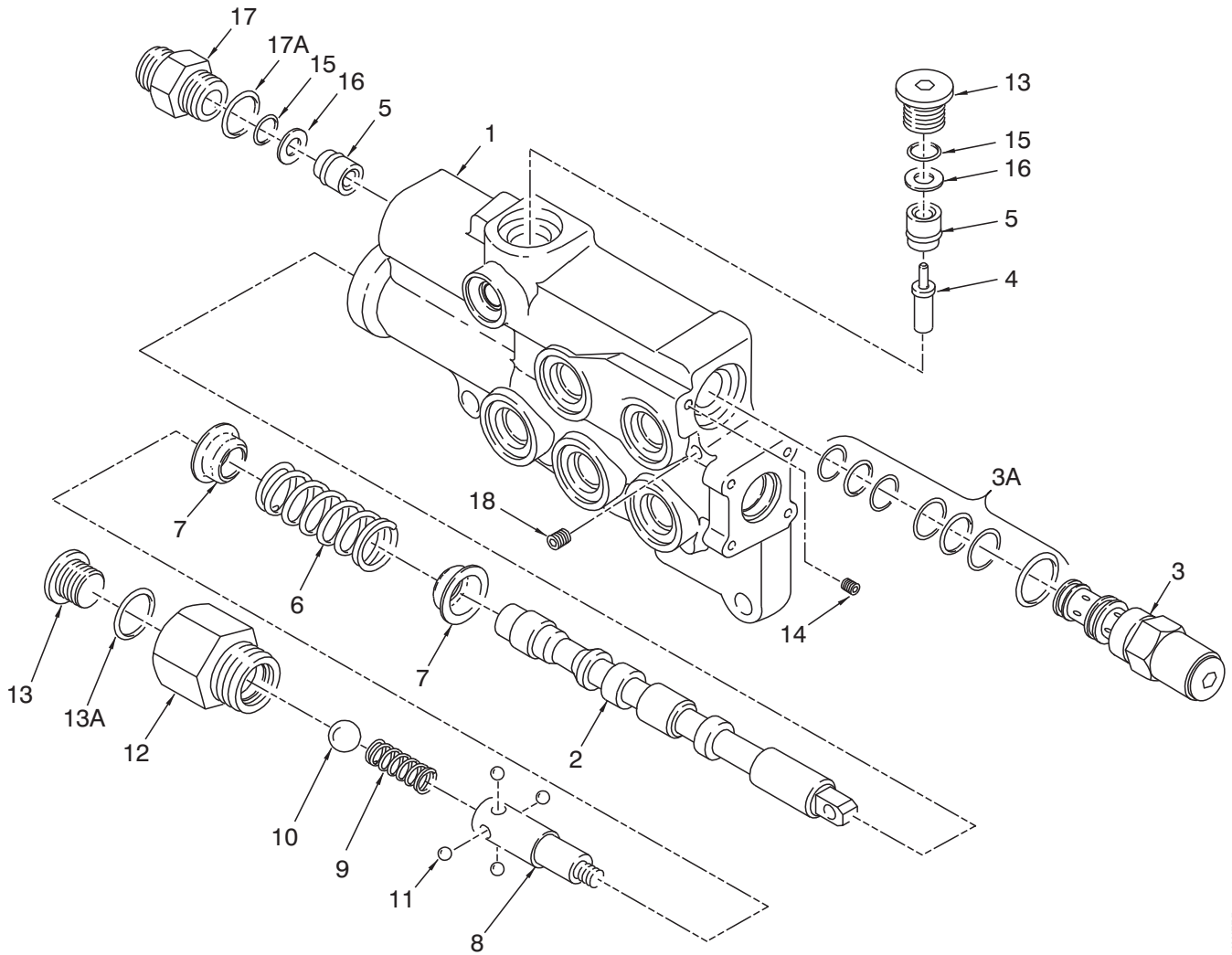
Used on S/N AW3C-1997 thru AW3C-2325

Page 2 of 2

Item	Part No.	Description	Qty	Item	Part No.	Description	Qty
	2303165W	Valve, Control	1				
1	NSS	. Body, Valve	1	12	2302227W	. Sleeve, Detent	1
2	NSS	. Spool	1	13	233693W	. Fitting	2
3	*b 2303125W	. Valve, Relief	1	13A	16485W	. . O-Ring	1
	*c 2302203W	. Valve, Relief	1	14	2302236W	. Plug, Expander	1
3A	2300179W	. . Kit, Seal	1	15	209083W	. O-Ring	2
4	2302230W	. Poppet	1	16	2302231W	. Washer	2
5	2300446W	. Valve, Check	2	17	16542W	. Fitting	1
5A	252729W	. . O-Ring	1	17A	16485W	. . O-Ring	1
6	1314556W	. Spring	1	18	*a 221292W	. Screw, Set	1
7	2302226W	. Cup, Stop	2				
8	2302229W	. Retainer, Detent	1		*a	Use 383789W Adhesive Sealant	
9	2300285W	. Spring	1		*b	Last Used on S/N AW3C-1901	
10	330596W	. Ball, Steel	1		*c	First Used on S/N AW3C-1902	
11	61141W	. Ball, Steel	4				

Control Valve - PFO

Komatsu D32/38/39 (K13)
Used on S/N AW3C-1844 thru AW3C-2325
Komatsu D31/37 (K11)
Used on S/N AW3C-1997 thru AW3C-2325
Page 1 of 2



Control Valve - PFO

Komatsu D32/38/39 (K13)
 Used on S/N AW3C-1844 thru AW3C-2325
 Komatsu D31/37 (K11)
 Used on S/N AW3C-1997 thru AW3C-2325
 Page 2 of 2

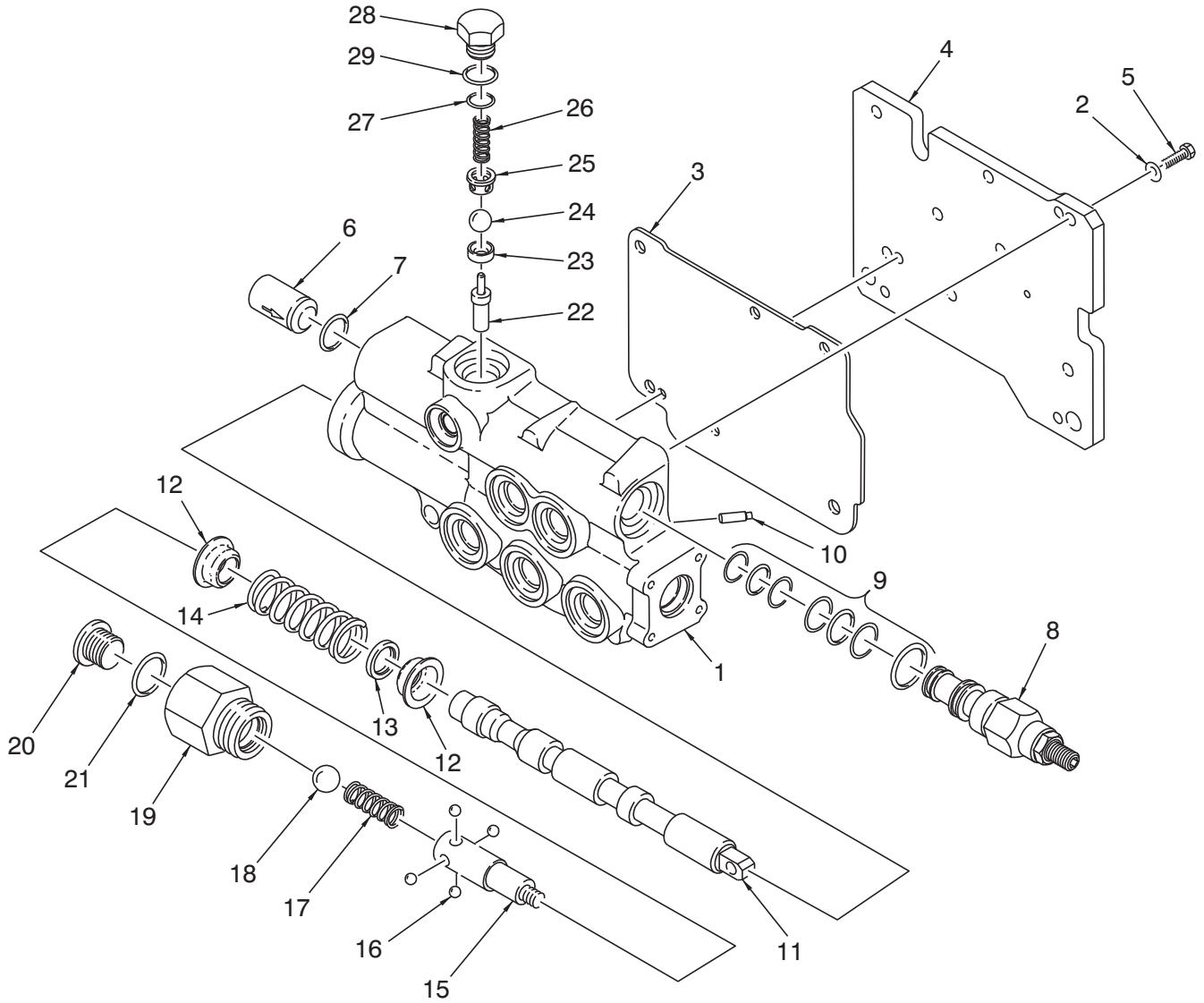
Item	Part No.	Description	Qty	Item	Part No.	Description	Qty
	2303165W	Valve, Control	1				
1	NSS	. Body, Valve	1	12	2302227W	. Sleeve, Detent	1
2	NSS	. Spool	1	13	233693W	. Fitting	2
3	*b 2303125W	. Valve, Relief	1	13A	16485W	. . O-Ring	1
	*c 2302203W	. Valve, Relief	1	14	2302236W	. Plug, Expander	1
3A	2300179W	. . Kit, Seal	1	15	209083W	. O-Ring	2
4	2302230W	. Poppet	1	16	2302231W	. Washer	2
5	2300446W	. Valve, Check	2	17	16542W	. Fitting	1
5A	252729W	. . O-Ring	1	17A	16485W	. . O-Ring	1
6	1314556W	. Spring	1	18	*a 221292W	. Screw, Set	1
7	2302226W	. Cup, Stop	2				
8	2302229W	. Retainer, Detent	1		*a	Use 383789W Adhesive Sealant	
9	2300285W	. Spring	1		*b	Last Used on S/N AW3C-1901	
10	330596W	. Ball, Steel	1		*c	First Used on S/N AW3C-1902	
11	61141W	. Ball, Steel	4				

Control Valve - PFR

Case

Last Used on S/N AW3C-1843

Page 1 of 2



Control Valve - PFR

Case

Last Used on S/N AW3C-1843

Page 2 of 2

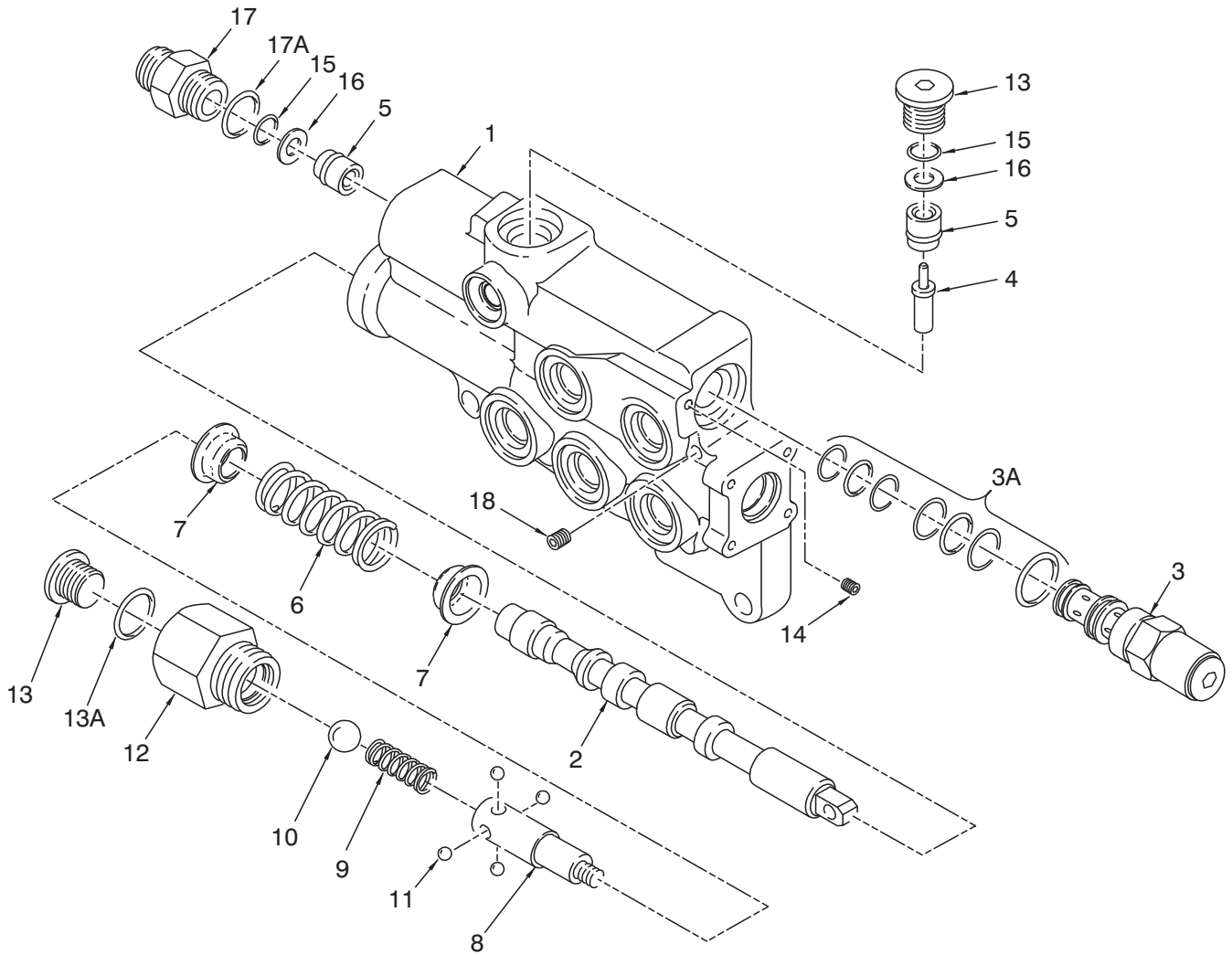
Item	Part No.	Description	Qty	Item	Part No.	Description	Qty
	2300855W	Valve, Control	1				
1	NSS	. Body, Valve	1	17	2300285W	. Spring, Detent	1
2	18425W	. Washer	10	18	330596W	. Ball, Steel	1
3	2301082W	. Gasket	1	19	1314563W	. Cap, End	1
4	2300856W	. Plate, Cover	1	20	233693W	. Fitting	1
5	*a 16334W	. Capscrew	10	21	16485W	. O-Ring	1
6	1314660W	. Valve, Check	1	22	1314592W	. Spool	1
7	39349W	. O-Ring	1	23	1314599W	. Seat	1
8	*b 2300967W	. Valve, Relief	1	24	5586W	. Ball, Steel	1
	*c 2301400W	. Valve, Relief	1	25	1314591W	. Retainer	1
9	2300179W	. . Kit, Seal	1	26	1314590W	. Spring	1
10	2300187W	. Cartridge, Check	1	27	60653W	. O-Ring	1
11	NSS	. Spool	1	28	1314589W	. Plug	1
12	166905W	. Spacer, Centering	2	29	16484W	. . O-Ring	1
13	1314575W	. Spacer	1				
14	1314556W	. Spring, Centering	1				
15	*a 1314562W	. End, Spool	1				
16	61141W	. Ball, Steel	4				
					*a	Use 251099W Adhesive Sealant	
					*b	Last Used on S/N AW3C-1649	
					*c	First Used on S/N AW3C-1650	

Control Valve - PFR

Case

Used on S/N AW3C-2179 thru AW3C-2325

Page 1 of 2



Control Valve - PFR

Case

Used on S/N AW3C-2179 thru AW3C-2325

Page 2 of 2

Item	Part No.	Description	Qty	Item	Part No.	Description	Qty
	2303165W	Valve, Control	1				
1	NSS	. Body, Valve	1	12	2302227W	. Sleeve, Detent	1
2	NSS	. Spool	1	13	233693W	. Fitting	2
3	*b 2303125W	. Valve, Relief	1	13A	16485W	. . O-Ring	1
	*c 2302203W	. Valve, Relief	1	14	2302236W	. Plug, Expander	1
3A	2300179W	. . Kit, Seal	1	15	209083W	. O-Ring	2
4	2302230W	. Poppet	1	16	2302231W	. Washer	2
5	2300446W	. Valve, Check	2	17	16542W	. Fitting	1
5A	252729W	. . O-Ring	1	17A	16485W	. . O-Ring	1
6	1314556W	. Spring	1	18	*a 221292W	. Screw, Set	1
7	2302226W	. Cup, Stop	2				
8	2302229W	. Retainer, Detent	1		*a	Use 383789W Adhesive Sealant	
9	2300285W	. Spring	1		*b	Last Used on S/N AW3C-1901	
10	330596W	. Ball, Steel	1		*c	First Used on S/N AW3C-1902	
11	61141W	. Ball, Steel	4				

Control Valve - PFR

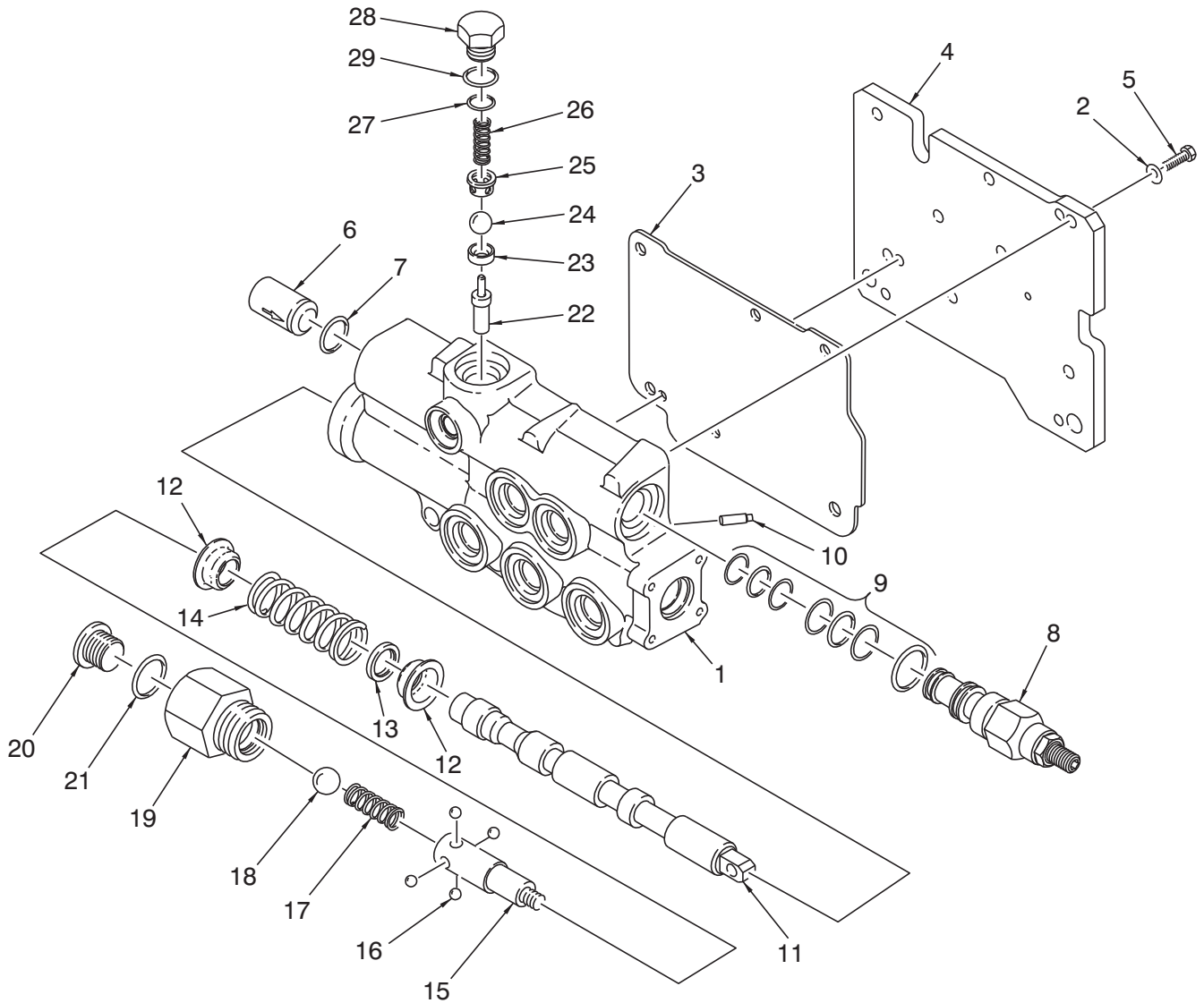
Caterpillar D3/4/5B&C DD & PS (C14), D4E (C15), D4H (C360/361/362), D5H (C371) & D5M (C30)

Last Used on S/N AW3C-1843

Caterpillar D3/4/5C Hystat (C16)

Last Used on S/N AW3C-1996

Page 1 of 2



Control Valve - PFR

Caterpillar D3/4/5B&C DD & PS (C14), D4E (C15), D4H (C360/361/362), D5H (C371) & D5M (C30)

Last Used on S/N AW3C-1843

Caterpillar D3/4/5C Hystat (C16)

Last Used on S/N AW3C-1996

Page 2 of 2

Item	Part No.	Description	Qty	Item	Part No.	Description	Qty
	2300855W	Valve, Control	1				
1	NSS	. Body, Valve	1	17	2300285W	. Spring, Detent	1
2	18425W	. Washer	10	18	330596W	. Ball, Steel	1
3	2301082W	. Gasket	1	19	1314563W	. Cap, End	1
4	2300856W	. Plate, Cover	1	20	233693W	. Fitting	1
5	*a 16334W	. Capscrew	10	21	16485W	. O-Ring	1
6	1314660W	. Valve, Check	1	22	1314592W	. Spool	1
7	39349W	. O-Ring	1	23	1314599W	. Seat	1
8	*b 2300967W	. Valve, Relief	1	24	5586W	. Ball, Steel	1
	*c 2301400W	. Valve, Relief	1	25	1314591W	. Retainer	1
9	2300179W	. . Kit, Seal	1	26	1314590W	. Spring	1
10	2300187W	. Cartridge, Check	1	27	60653W	. O-Ring	1
11	NSS	. Spool	1	28	1314589W	. Plug	1
12	166905W	. Spacer, Centering	2	29	16484W	. . O-Ring	1
13	1314575W	. Spacer	1				
14	1314556W	. Spring, Centering	1				
15	*a 1314562W	. End, Spool	1				
16	61141W	. Ball, Steel	4				
					*a	Use 251099W Adhesive Sealant	
					*b	Last Used on S/N AW3C-1649	
					*c	First Used on S/N AW3C-1650	

Control Valve - PFR

Caterpillar D3/4/5B&C DD & PS (C14), D4H (C360/361/362), D5H (C371) & D5M (C30)

Used on S/N AW3C-1844 thru AW3C-2325

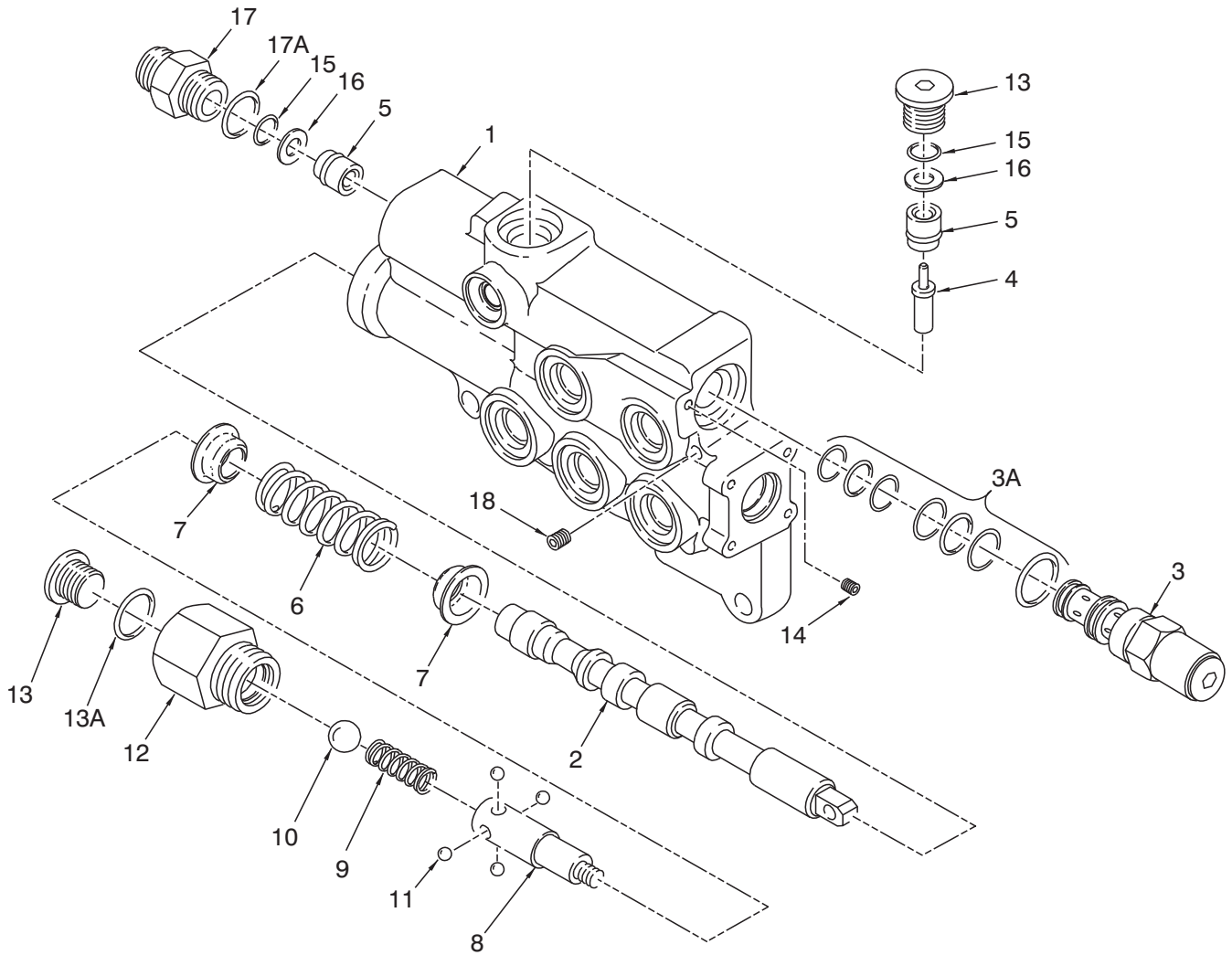
Caterpillar D3/4/5C Hystat (C16)

Used on S/N AW3C-1997 thru AW3C-2263

Caterpillar D4E (C15)

Used on S/N AW3C-2179 thru AW3C-2325

Page 1 of 2



Control Valve - PFR

Caterpillar D3/4/5B&C DD & PS (C14), D4H (C360/361/362), D5H (C371) & D5M (C30)

Used on S/N AW3C-1844 thru AW3C-2325

Caterpillar D3/4/5C Hystat (C16)

Used on S/N AW3C-1997 thru AW3C-2263

Caterpillar D4E (C15)

Used on S/N AW3C-2179 thru AW3C-2325

Page 2 of 2

Item	Part No.	Description	Qty	Item	Part No.	Description	Qty
	2303165W	Valve, Control	1				
1	NSS	. Body, Valve	1	12	2302227W	. Sleeve, Detent	1
2	NSS	. Spool	1	13	233693W	. Fitting	2
3	*b 2303125W	. Valve, Relief	1	13A	16485W	. . O-Ring	1
	*c 2302203W	. Valve, Relief	1	14	2302236W	. Plug, Expander	1
3A	2300179W	. . Kit, Seal	1	15	209083W	. O-Ring	2
4	2302230W	. Poppet	1	16	2302231W	. Washer	2
5	2300446W	. Valve, Check	2	17	16542W	. Fitting	1
5A	252729W	. . O-Ring	1	17A	16485W	. . O-Ring	1
6	1314556W	. Spring	1	18	*a 221292W	. Screw, Set	1
7	2302226W	. Cup, Stop	2				
8	2302229W	. Retainer, Detent	1		*a	Use 383789W Adhesive Sealant	
9	2300285W	. Spring	1		*b	Last Used on S/N AW3C-1901	
10	330596W	. Ball, Steel	1		*c	First Used on S/N AW3C-1902	
11	61141W	. Ball, Steel	4				

Control Valve - PFR

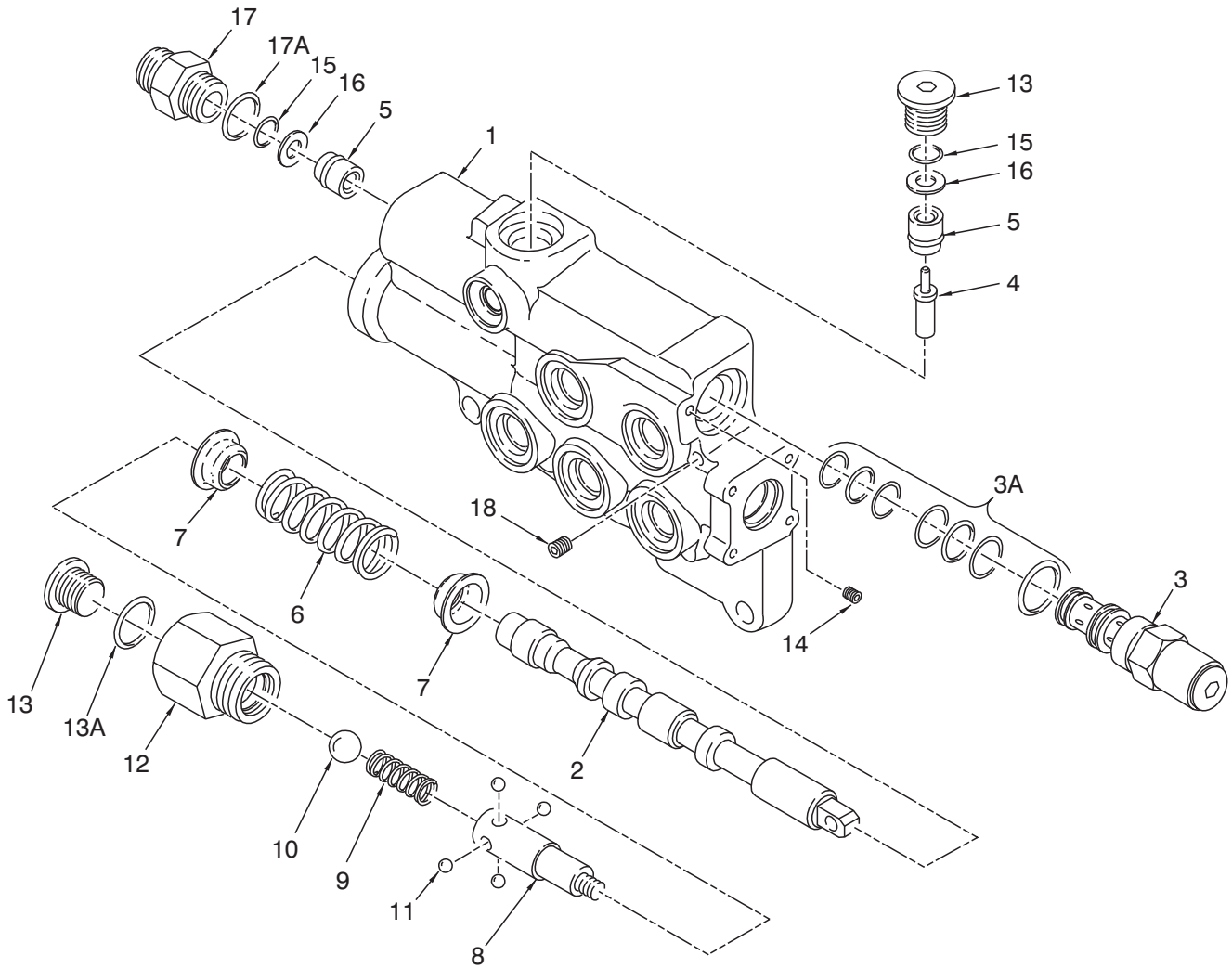
Caterpillar D3/4/5C Hystat (C16)

First Used on S/N AW3C-2264

All Other Applications

First Used on S/N AW3C-2326

Page 1 of 2



Control Valve - PFR

Caterpillar D3/4/5C Hystat (C16)

First Used on S/N AW3C-2264

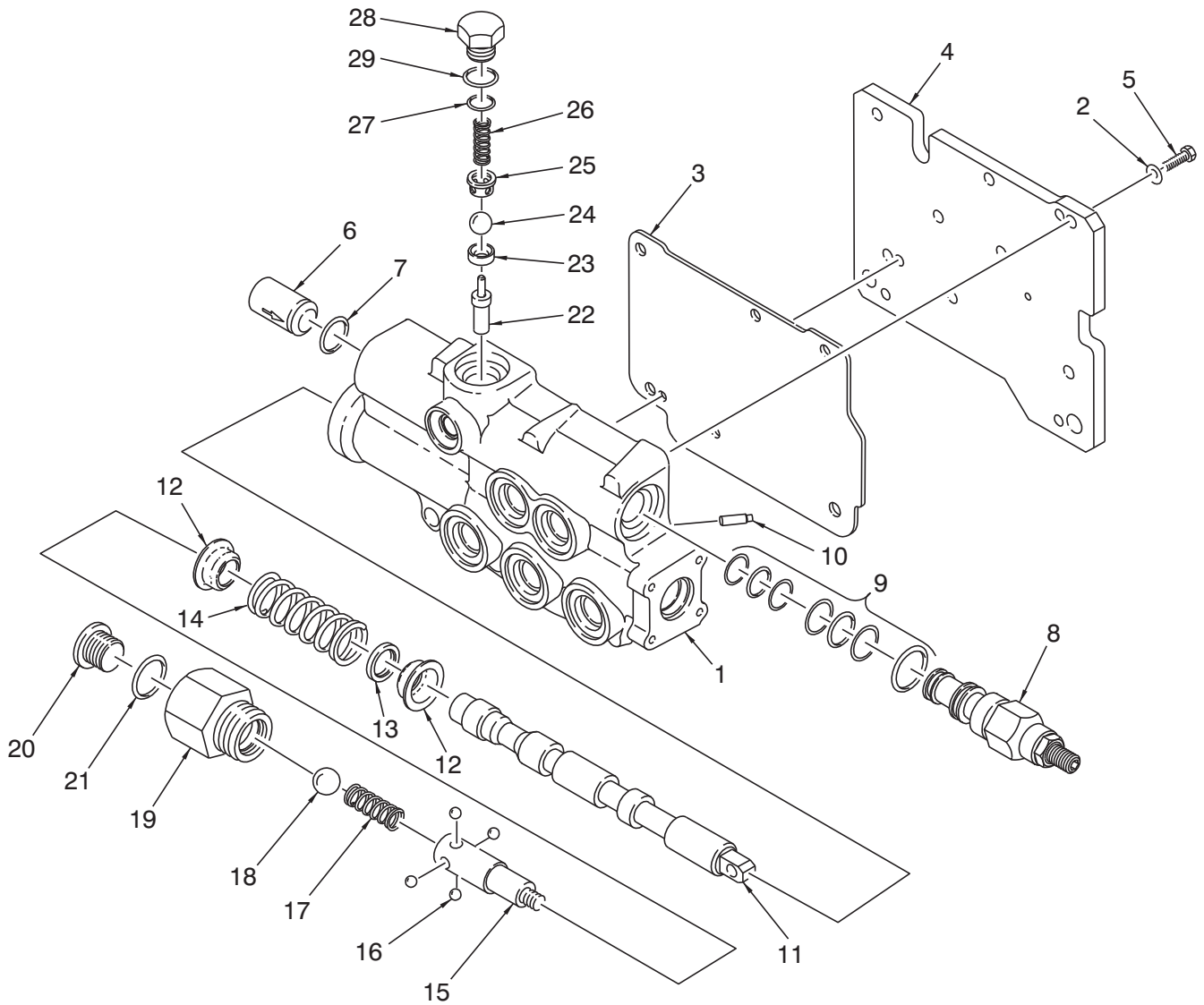
All Other Applications

First Used on S/N AW3C-2326

Page 2 of 2

Item	Part No.	Description	Qty	Item	Part No.	Description	Qty
	2303592W	Valve, Control	1				
1	NSS	. Body, Valve	1	11	61141W	. Ball, Steel	4
2	NSS	. Spool	1	12	2305484W	. Sleeve, Detent	1
3	2302203W	. Valve, Relief	1	13	233693W	. Fitting	2
3A	2300179W	. . Kit, Seal	1	13A	16485W	. . O-Ring	1
4	2302230W	. Poppet	1	14	2302236W	. Plug, Expander	1
5	2300446W	. Valve, Check	2	15	209083W	. O-Ring	2
5A	252729W	. . O-Ring	1	16	2302231W	. Washer	2
6	1314556W	. Spring	1	17	16909W	. Fitting	1
7	2302226W	. Cup, Stop	2	17A	16485W	. . O-Ring	1
8	2302229W	. Retainer, Detent	1	18	*a 221292W	. Screw, Set	1
9	2300285W	. Spring	1				
10	330596W	. Ball, Steel	1		*a Use 383789W Adhesive Sealant		

Control Valve - PFR
Dresser/Dressta
Last Used on S/N AW3C-1843
Page 1 of 2



Control Valve - PFR
 Dresser/Dressta
 Last Used on S/N AW3C-1843
 Page 2 of 2

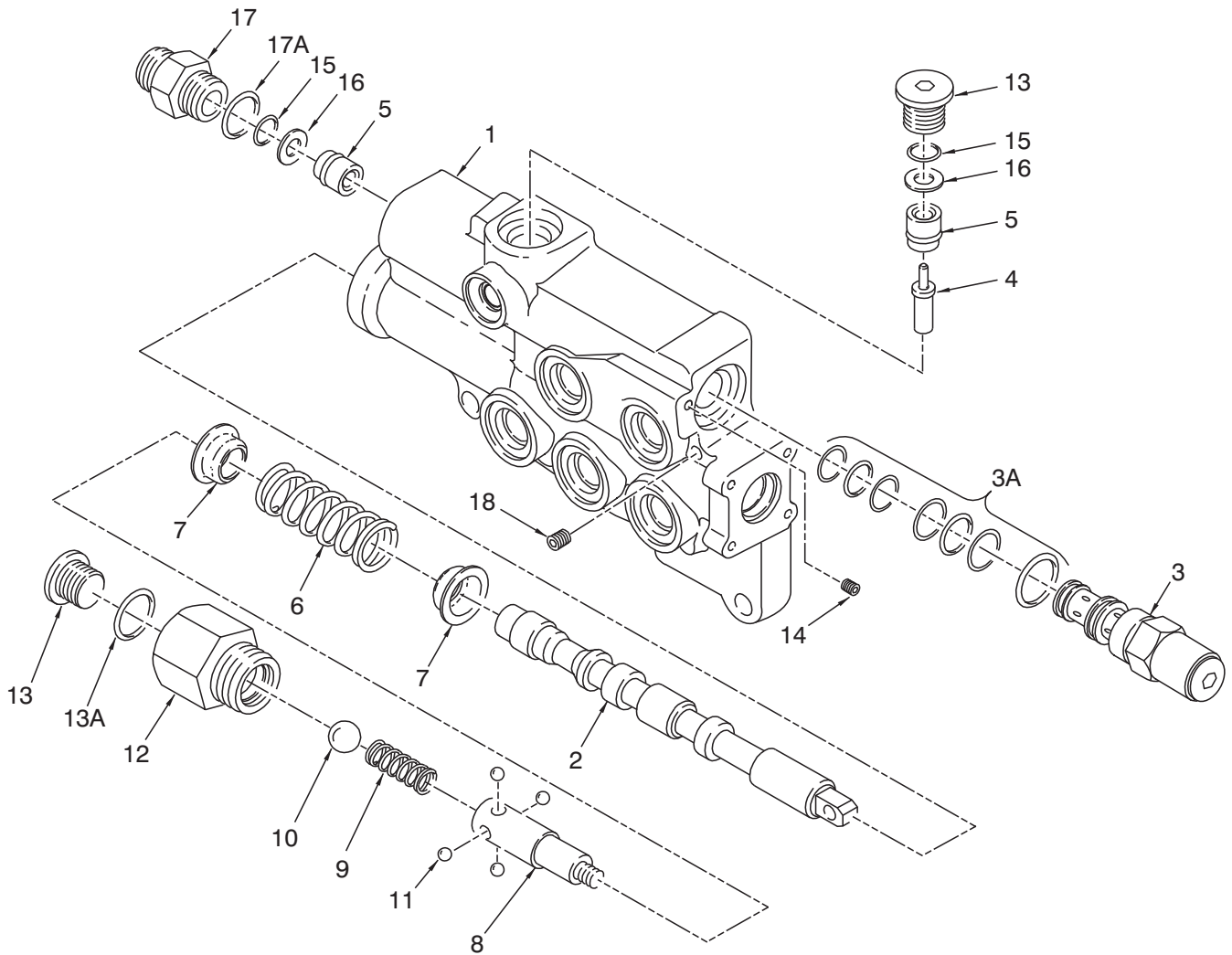
Item	Part No.	Description	Qty	Item	Part No.	Description	Qty
	2300855W	Valve, Control	1				
1	NSS	. Body, Valve	1	17	2300285W	. Spring, Detent	1
2	18425W	. Washer	10	18	330596W	. Ball, Steel	1
3	2301082W	. Gasket	1	19	1314563W	. Cap, End	1
4	2300856W	. Plate, Cover	1	20	233693W	. Fitting	1
5	*a 16334W	. Capscrew	10	21	16485W	. . O-Ring	1
6	1314660W	. Valve, Check	1	22	1314592W	. Spool	1
7	39349W	. O-Ring	1	23	1314599W	. Seat	1
8	*b 2300967W	. Valve, Relief	1	24	5586W	. Ball, Steel	1
	*c 2301400W	. Valve, Relief	1	25	1314591W	. Retainer	1
9	2300179W	. . Kit, Seal	1	26	1314590W	. Spring	1
10	2300187W	. Cartridge, Check	1	27	60653W	. O-Ring	1
11	NSS	. Spool	1	28	1314589W	. Plug	1
12	166905W	. Spacer, Centering	2	29	16484W	. . O-Ring	1
13	1314575W	. Spacer	1				
14	1314556W	. Spring, Centering	1				
15	*a 1314562W	. End, Spool	1				
16	61141W	. Ball, Steel	4				
					*a	Use 251099W Adhesive Sealant	
					*b	Last Used on S/N AW3C-1649	
					*c	First Used on S/N AW3C-1650	

Control Valve - PFR

Dresser/Dressta

Used on S/N AW3C-1844 thru AW3C-2325

Page 1 of 2



Control Valve - PFR

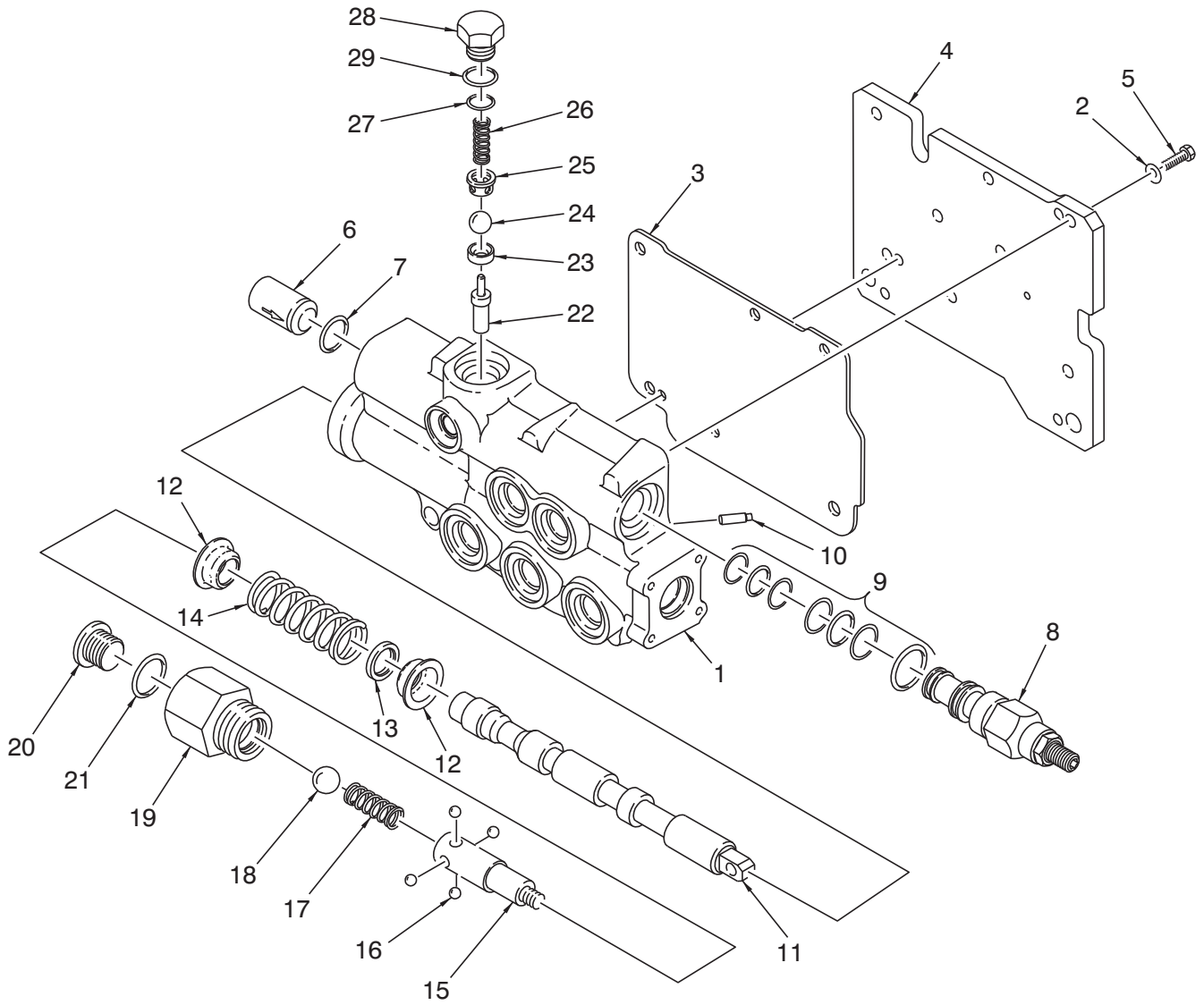
Dresser/Dressta

Used on S/N AW3C-1844 thru AW3C-2325

Page 2 of 2

Item	Part No.	Description	Qty	Item	Part No.	Description	Qty
	2303165W	Valve, Control	1				
1	NSS	. Body, Valve	1	12	2302227W	. Sleeve, Detent	1
2	NSS	. Spool	1	13	233693W	. Fitting	2
3	*b 2303125W	. Valve, Relief	1	13A	16485W	. . O-Ring	1
	*c 2302203W	. Valve, Relief	1	14	2302236W	. Plug, Expander	1
3A	2300179W	. . Kit, Seal	1	15	209083W	. O-Ring	2
4	2302230W	. Poppet	1	16	2302231W	. Washer	2
5	2300446W	. Valve, Check	2	17	16542W	. Fitting	1
5A	252729W	. . O-Ring	1	17A	16485W	. . O-Ring	1
6	1314556W	. Spring	1	18	*a 221292W	. Screw, Set	1
7	2302226W	. Cup, Stop	2				
8	2302229W	. Retainer, Detent	1		*a	Use 383789W Adhesive Sealant	
9	2300285W	. Spring	1		*b	Last Used on S/N AW3C-1901	
10	330596W	. Ball, Steel	1		*c	First Used on S/N AW3C-1902	
11	61141W	. Ball, Steel	4				

Control Valve - PFR
Fiat-Hitachi/New Holland
Last Used on S/N AW3C-1843
Page 1 of 2



Control Valve - PFR
 Fiat-Hitachi/New Holland
 Last Used on S/N AW3C-1843
 Page 2 of 2

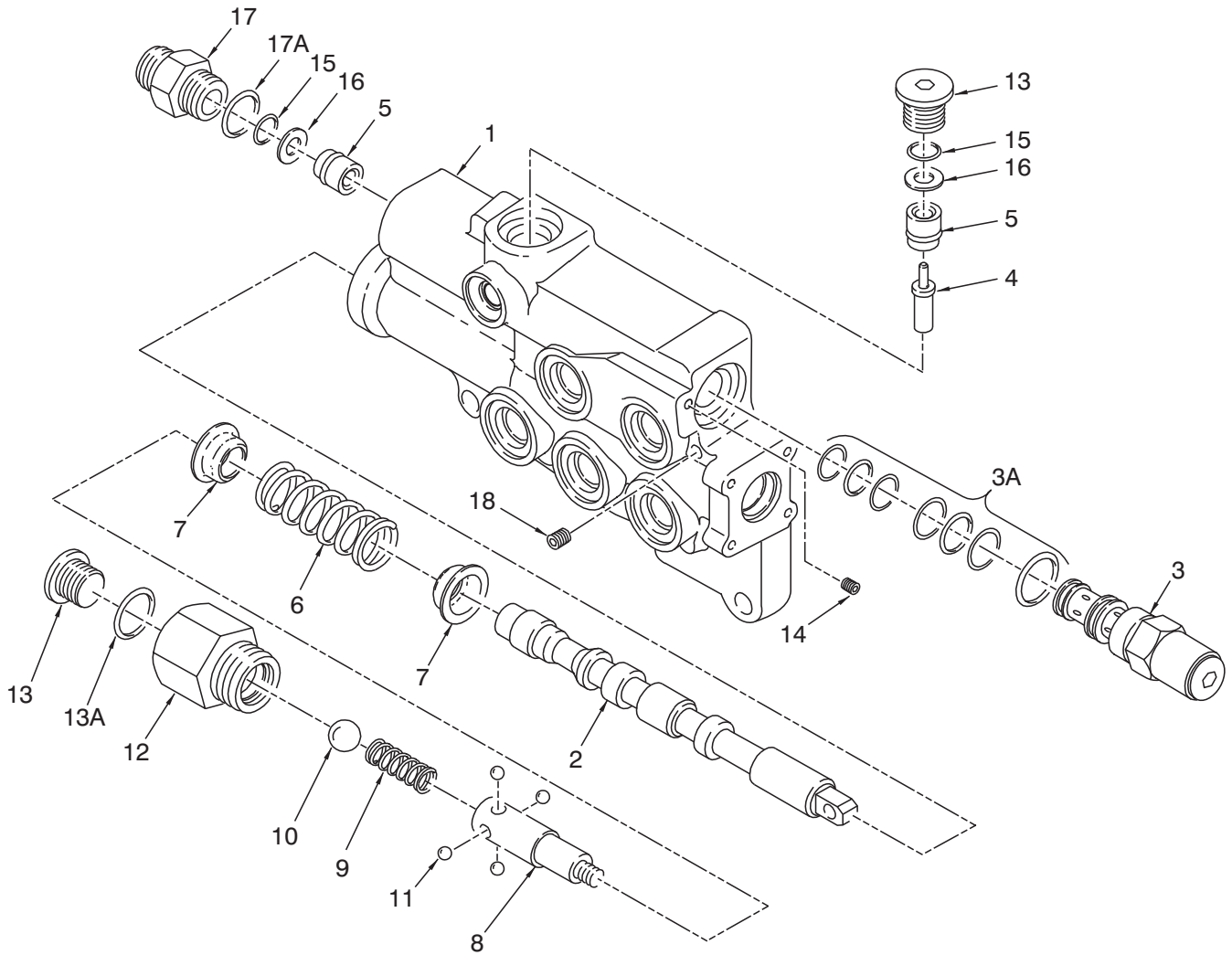
Item	Part No.	Description	Qty	Item	Part No.	Description	Qty
	2300855W	Valve, Control	1				
1	NSS	. Body, Valve	1	17	2300285W	. Spring, Detent	1
2	18425W	. Washer	10	18	330596W	. Ball, Steel	1
3	2301082W	. Gasket	1	19	1314563W	. Cap, End	1
4	2300856W	. Plate, Cover	1	20	233693W	. Fitting	1
5	*a 16334W	. Capscrew	10	21	16485W	. O-Ring	1
6	1314660W	. Valve, Check	1	22	1314592W	. Spool	1
7	39349W	. O-Ring	1	23	1314599W	. Seat	1
8	*b 2300967W	. Valve, Relief	1	24	5586W	. Ball, Steel	1
	*c 2301400W	. Valve, Relief	1	25	1314591W	. Retainer	1
9	2300179W	. Kit, Seal	1	26	1314590W	. Spring	1
10	2300187W	. Cartridge, Check	1	27	60653W	. O-Ring	1
11	NSS	. Spool	1	28	1314589W	. Plug	1
12	166905W	. Spacer, Centering	2	29	16484W	. O-Ring	1
13	1314575W	. Spacer	1				
14	1314556W	. Spring, Centering	1				
15	*a 1314562W	. End, Spool	1		*a	Use 251099W Adhesive Sealant	
16	61141W	. Ball, Steel	4		*b	Last Used on S/N AW3C-1649	
					*c	First Used on S/N AW3C-1650	

Control Valve - PFR

Fiat-Hitachi/New Holland

Used on S/N AW3C-2179 thru AW3C-2325

Page 1 of 2



Control Valve - PFR

Fiat-Hitachi/New Holland

Used on S/N AW3C-2179 thru AW3C-2325

Page 2 of 2

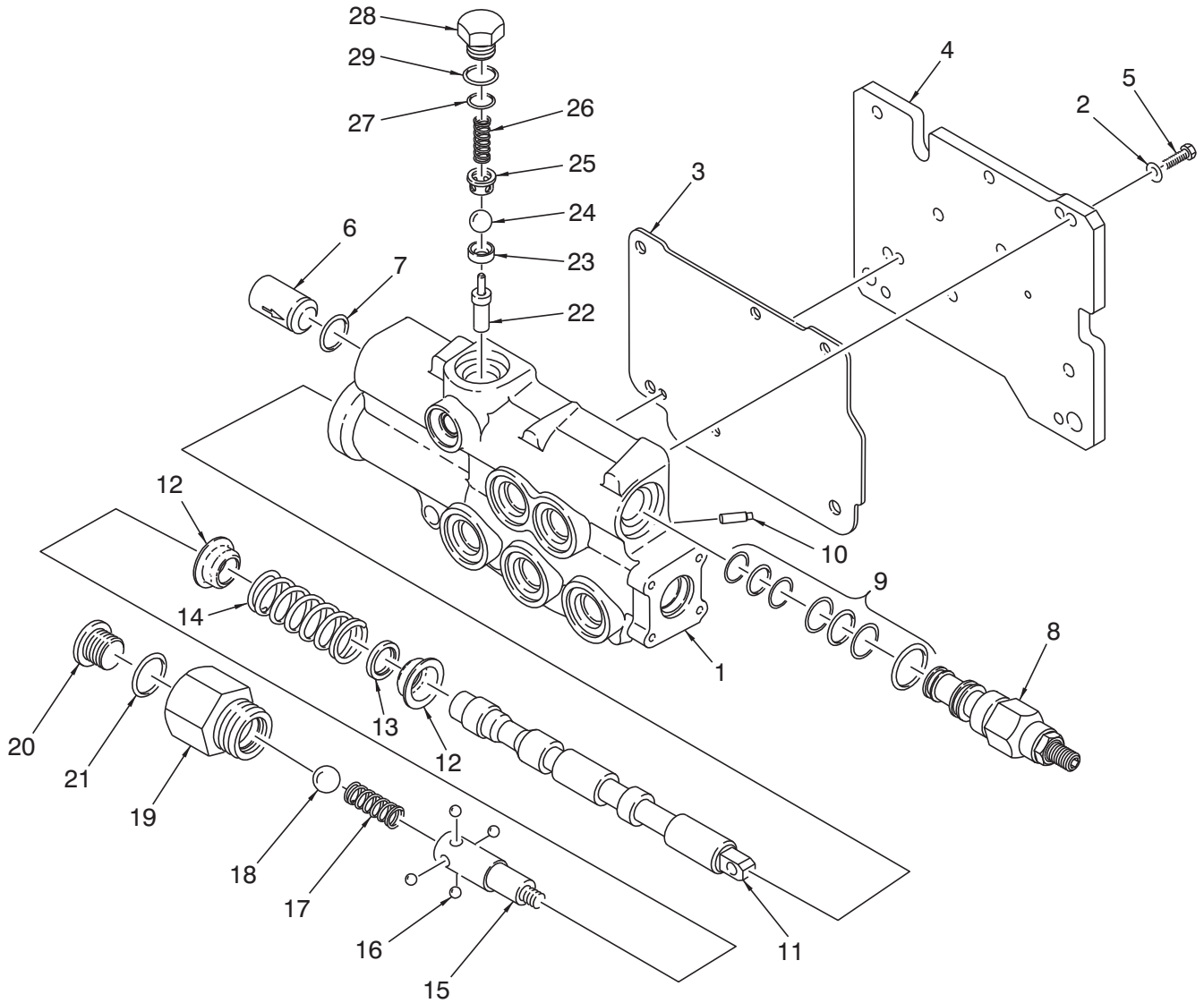
Item	Part No.	Description	Qty	Item	Part No.	Description	Qty
	2303165W	Valve, Control	1				
1	NSS	. Body, Valve	1	12	2302227W	. Sleeve, Detent	1
2	NSS	. Spool	1	13	233693W	. Fitting	2
3	*b 2303125W	. Valve, Relief	1	13A	16485W	. . O-Ring	1
	*c 2302203W	. Valve, Relief	1	14	2302236W	. Plug, Expander	1
3A	2300179W	. . Kit, Seal	1	15	209083W	. O-Ring	2
4	2302230W	. Poppet	1	16	2302231W	. Washer	2
5	2300446W	. Valve, Check	2	17	16542W	. Fitting	1
5A	252729W	. . O-Ring	1	17A	16485W	. . O-Ring	1
6	1314556W	. Spring	1	18	*a 221292W	. Screw, Set	1
7	2302226W	. Cup, Stop	2				
8	2302229W	. Retainer, Detent	1		*a	Use 383789W Adhesive Sealant	
9	2300285W	. Spring	1		*b	Last Used on S/N AW3C-1901	
10	330596W	. Ball, Steel	1		*c	First Used on S/N AW3C-1902	
11	61141W	. Ball, Steel	4				

Control Valve - PFR

John Deere

Last Used on S/N AW3C-1996

Page 1 of 2



Control Valve - PFR

John Deere

Last Used on S/N AW3C-1996

Page 2 of 2

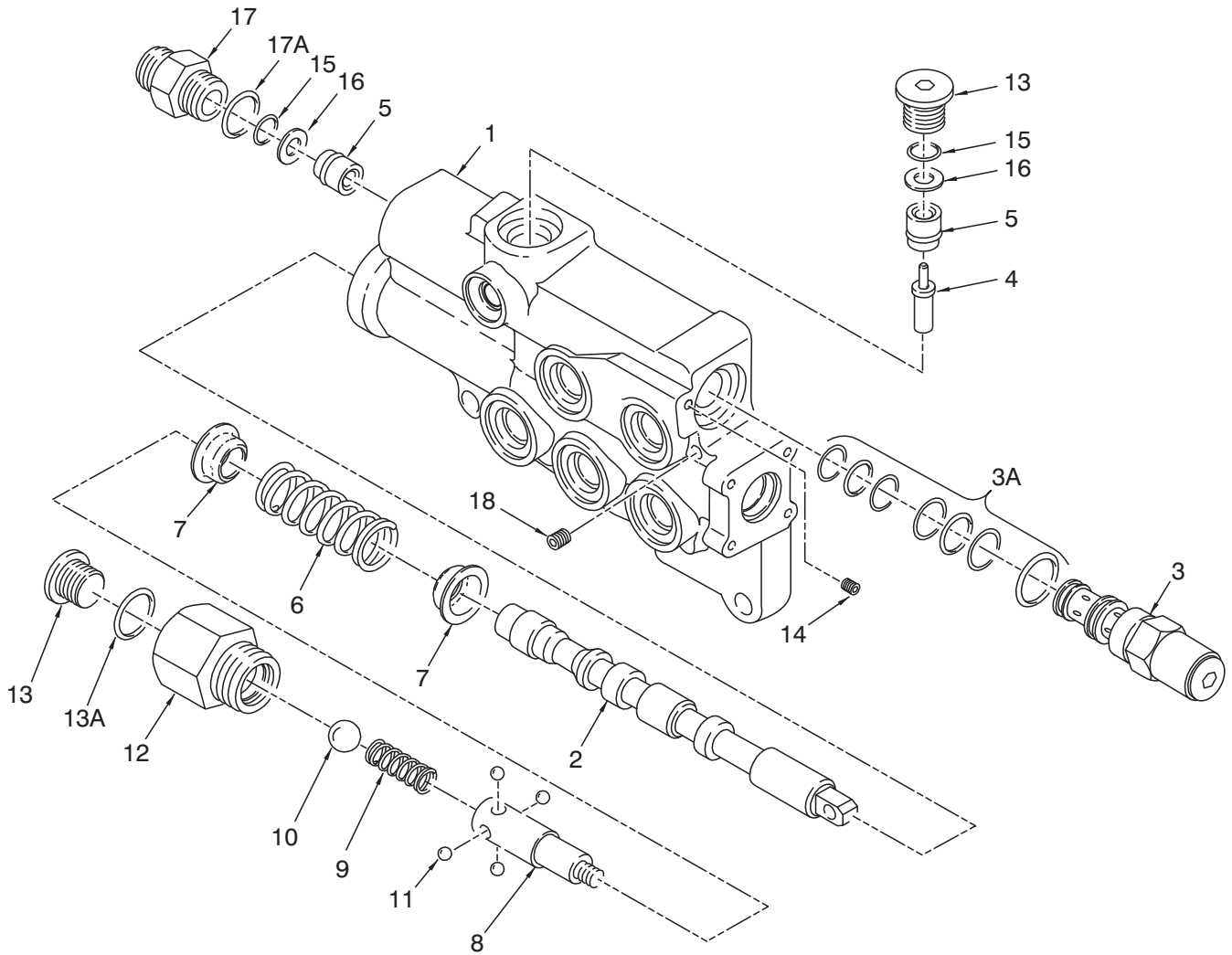
Item	Part No.	Description	Qty	Item	Part No.	Description	Qty
	2300855W	Valve, Control	1				
1	NSS	. Body, Valve	1	17	2300285W	. Spring, Detent	1
2	18425W	. Washer	10	18	330596W	. Ball, Steel	1
3	2301082W	. Gasket	1	19	1314563W	. Cap, End	1
4	2300856W	. Plate, Cover	1	20	233693W	. Fitting	1
5	*a 16334W	. Capscrew	10	21	16485W	. O-Ring	1
6	1314660W	. Valve, Check	1	22	1314592W	. Spool	1
7	39349W	. O-Ring	1	23	1314599W	. Seat	1
8	*b 2300967W	. Valve, Relief	1	24	5586W	. Ball, Steel	1
	*c 2301400W	. Valve, Relief	1	25	1314591W	. Retainer	1
9	2300179W	. . Kit, Seal	1	26	1314590W	. Spring	1
10	2300187W	. Cartridge, Check	1	27	60653W	. O-Ring	1
11	NSS	. Spool	1	28	1314589W	. Plug	1
12	166905W	. Spacer, Centering	2	29	16484W	. . O-Ring	1
13	1314575W	. Spacer	1				
14	1314556W	. Spring, Centering	1				
15	*a 1314562W	. End, Spool	1				
16	61141W	. Ball, Steel	4				
					*a	Use 251099W Adhesive Sealant	
					*b	Last Used on S/N AW3C-1649	
					*c	First Used on S/N AW3C-1650	

Control Valve - PFR

John Deere

Used on S/N AW3C-1997 thru AW3C-2325

Page 1 of 2



Control Valve - PFR

John Deere

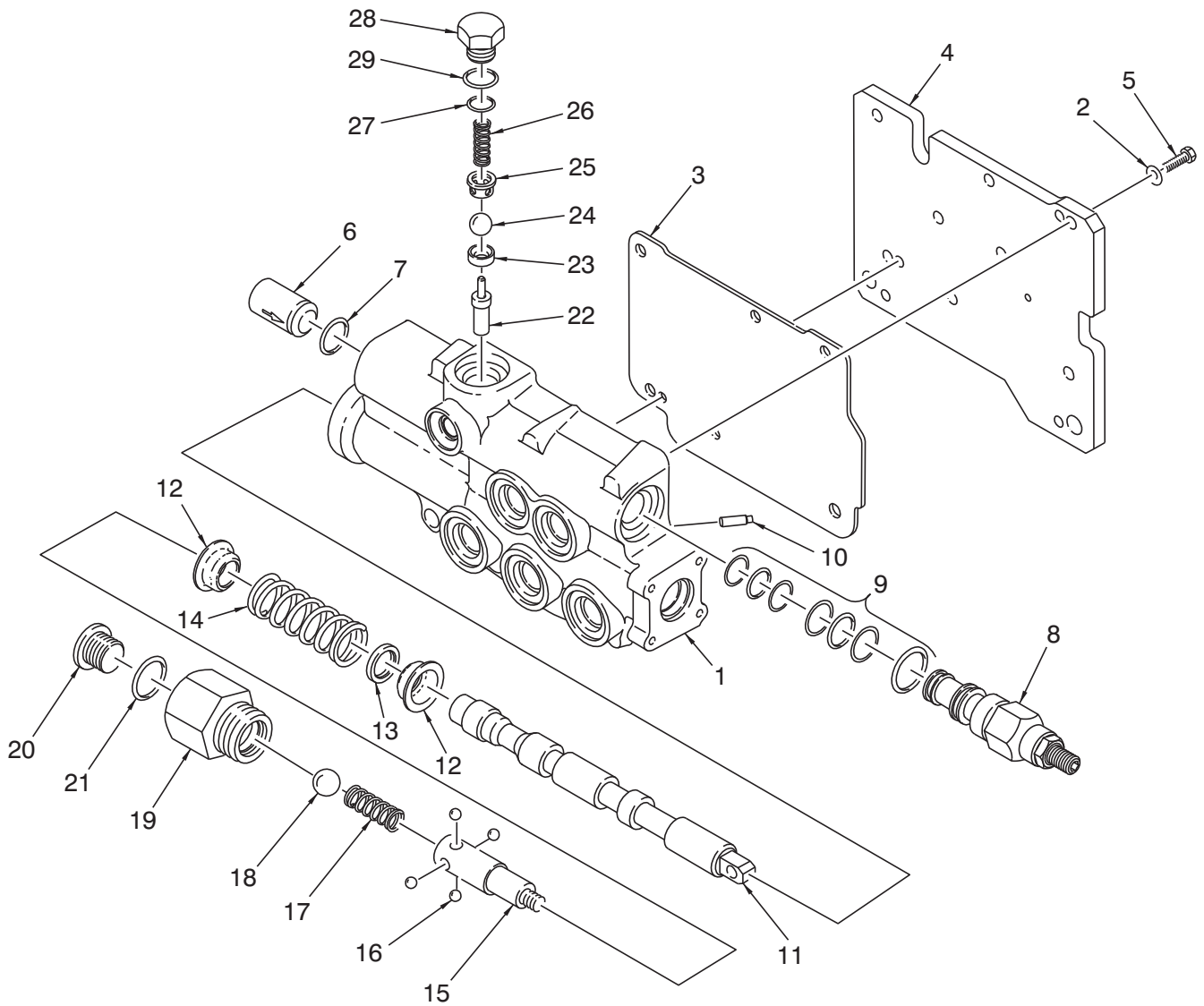
Used on S/N AW3C-1997 thru AW3C-2325

Page 2 of 2

Item	Part No.	Description	Qty	Item	Part No.	Description	Qty
	2303165W	Valve, Control	1				
1	NSS	. Body, Valve	1	12	2302227W	. Sleeve, Detent	1
2	NSS	. Spool	1	13	233693W	. Fitting	2
3	*b 2303125W	. Valve, Relief	1	13A	16485W	. . O-Ring	1
	*c 2302203W	. Valve, Relief	1	14	2302236W	. Plug, Expander	1
3A	2300179W	. . Kit, Seal	1	15	209083W	. O-Ring	2
4	2302230W	. Poppet	1	16	2302231W	. Washer	2
5	2300446W	. Valve, Check	2	17	16542W	. Fitting	1
5A	252729W	. . O-Ring	1	17A	16485W	. . O-Ring	1
6	1314556W	. Spring	1	18	*a 221292W	. Screw, Set	1
7	2302226W	. Cup, Stop	2				
8	2302229W	. Retainer, Detent	1		*a	Use 383789W Adhesive Sealant	
9	2300285W	. Spring	1		*b	Last Used on S/N AW3C-1901	
10	330596W	. Ball, Steel	1		*c	First Used on S/N AW3C-1902	
11	61141W	. Ball, Steel	4				

Control Valve - PFR

Komatsu D32/38/39 (K13)
 Last Used on S/N AW3C-1843
 Komatsu D31/37 (K11)
 Last Used on S/N AW3C-1996
 Page 1 of 2



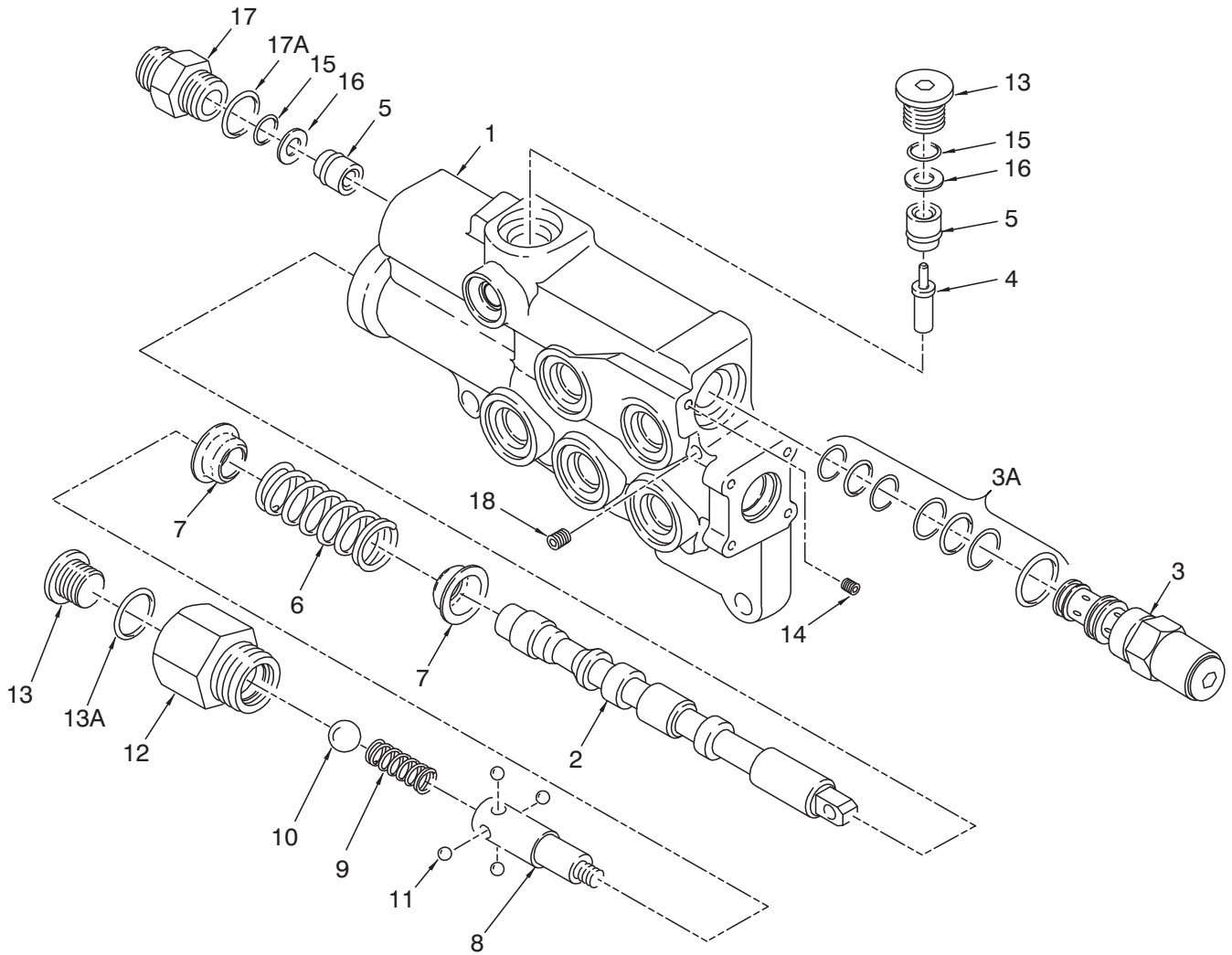
Control Valve - PFR

Komatsu D32/38/39 (K13)
 Last Used on S/N AW3C-1843
 Komatsu D31/37 (K11)
 Last Used on S/N AW3C-1996
 Page 2 of 2

Item	Part No.	Description	Qty	Item	Part No.	Description	Qty
	2300855W	Valve, Control	1				
1	NSS	. Body, Valve	1	17	2300285W	. Spring, Detent	1
2	18425W	. Washer	10	18	330596W	. Ball, Steel	1
3	2301082W	. Gasket	1	19	1314563W	. Cap, End	1
4	2300856W	. Plate, Cover	1	20	233693W	. Fitting	1
5	*a 16334W	. Capscrew	10	21	16485W	. O-Ring	1
6	1314660W	. Valve, Check	1	22	1314592W	. Spool	1
7	39349W	. O-Ring	1	23	1314599W	. Seat	1
8	*b 2300967W	. Valve, Relief	1	24	5586W	. Ball, Steel	1
	*c 2301400W	. Valve, Relief	1	25	1314591W	. Retainer	1
9	2300179W	. Kit, Seal	1	26	1314590W	. Spring	1
10	2300187W	. Cartridge, Check	1	27	60653W	. O-Ring	1
11	NSS	. Spool	1	28	1314589W	. Plug	1
12	166905W	. Spacer, Centering	2	29	16484W	. O-Ring	1
13	1314575W	. Spacer	1				
14	1314556W	. Spring, Centering	1				
15	*a 1314562W	. End, Spool	1		*a	Use 251099W Adhesive Sealant	
16	61141W	. Ball, Steel	4		*b	Last Used on S/N AW3C-1649	
					*c	First Used on S/N AW3C-1650	

Control Valve - PFR

Komatsu D32/38/39 (K13)
 Used on S/N AW3C-1844 thru AW3C-2325
 Komatsu D31/37 (K11)
 Used on S/N AW3C-1997 thru AW3C-2325
 Page 1 of 2



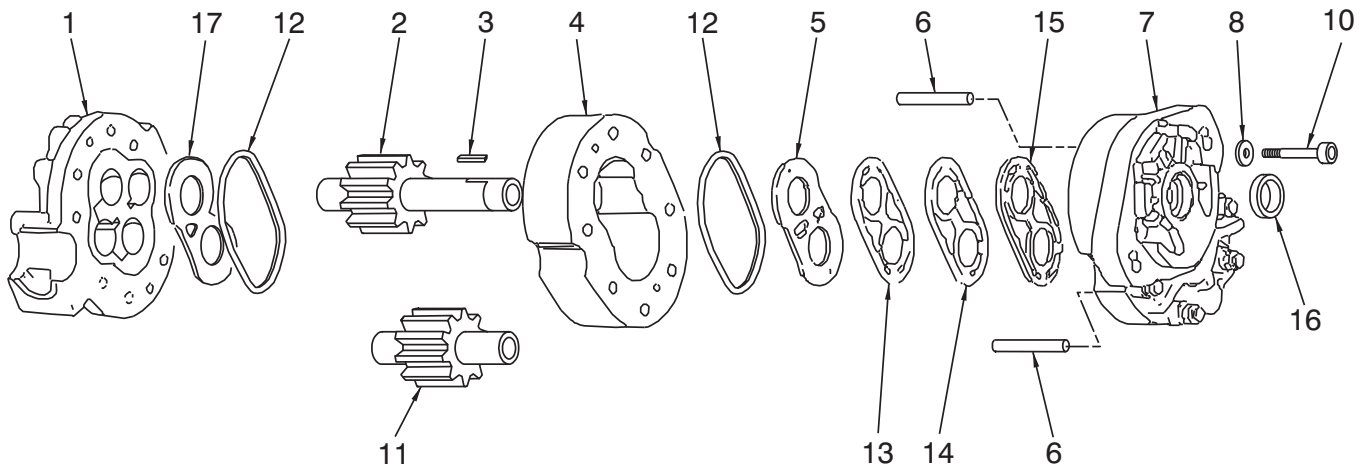
Control Valve - PFR

Komatsu D32/38/39 (K13)
 Used on S/N AW3C-1844 thru AW3C-2325
 Komatsu D31/37 (K11)
 Used on S/N AW3C-1997 thru AW3C-2325
 Page 2 of 2

Item	Part No.	Description	Qty	Item	Part No.	Description	Qty
	2303165W	Valve, Control	1				
1	NSS	. Body, Valve	1	12	2302227W	. Sleeve, Detent	1
2	NSS	. Spool	1	13	233693W	. Fitting	2
3	*b 2303125W	. Valve, Relief	1	13A	16485W	. . O-Ring	1
	*c 2302203W	. Valve, Relief	1	14	2302236W	. Plug, Expander	1
3A	2300179W	. . Kit, Seal	1	15	209083W	. O-Ring	2
4	2302230W	. Poppet	1	16	2302231W	. Washer	2
5	2300446W	. Valve, Check	2	17	16542W	. Fitting	1
5A	252729W	. . O-Ring	1	17A	16485W	. . O-Ring	1
6	1314556W	. Spring	1	18	*a 221292W	. Screw, Set	1
7	2302226W	. Cup, Stop	2				
8	2302229W	. Retainer, Detent	1		*a	Use 383789W Adhesive Sealant	
9	2300285W	. Spring	1		*b	Last Used on S/N AW3C-1901	
10	330596W	. Ball, Steel	1		*c	First Used on S/N AW3C-1902	
11	61141W	. Ball, Steel	4				

Pump - PFR & PFO

Low PTO Input except R15
Last Used on S/N AW3C-2431

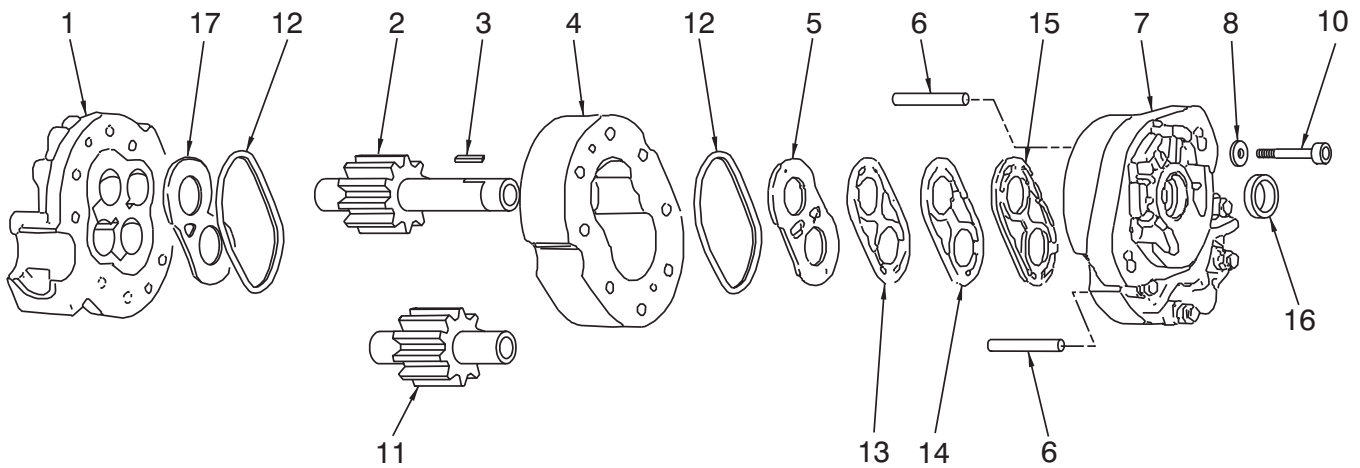


Item	Part No.	Description	Qty	Item	Part No.	Description	Qty
	1314522W	Pump	1				
1	NSS	. Cover, Rear	1	11	NSS	. Gear, Driven	1
2	NSS	. Gear, Drive	1	12	*a 39368W	. O-Ring	2
3	9033W	. Key	1	13	*a 243339W	. Shield, Heat	1
4	NSS	. Body	1	14	*a 243338W	. Gasket	1
5	*a 243340W	. Plate, Wear	1	15	*a 243337W	. V-Seal	1
6	NSS	. Pin	2	16	*a 243330W	. Seal, Shaft	1
7	NSS	. Cover, Front	1	17	*a 243343W	. Plate, Thrust	1
8	NSS	. Washer	8				
10	NSS	. Capscrew	8		*a	Included in 301978W Service Kit	

Pump - PFR & PFO

High PTO Input & Low PTO Input (R15)

First Used on S/N AW3C-2432

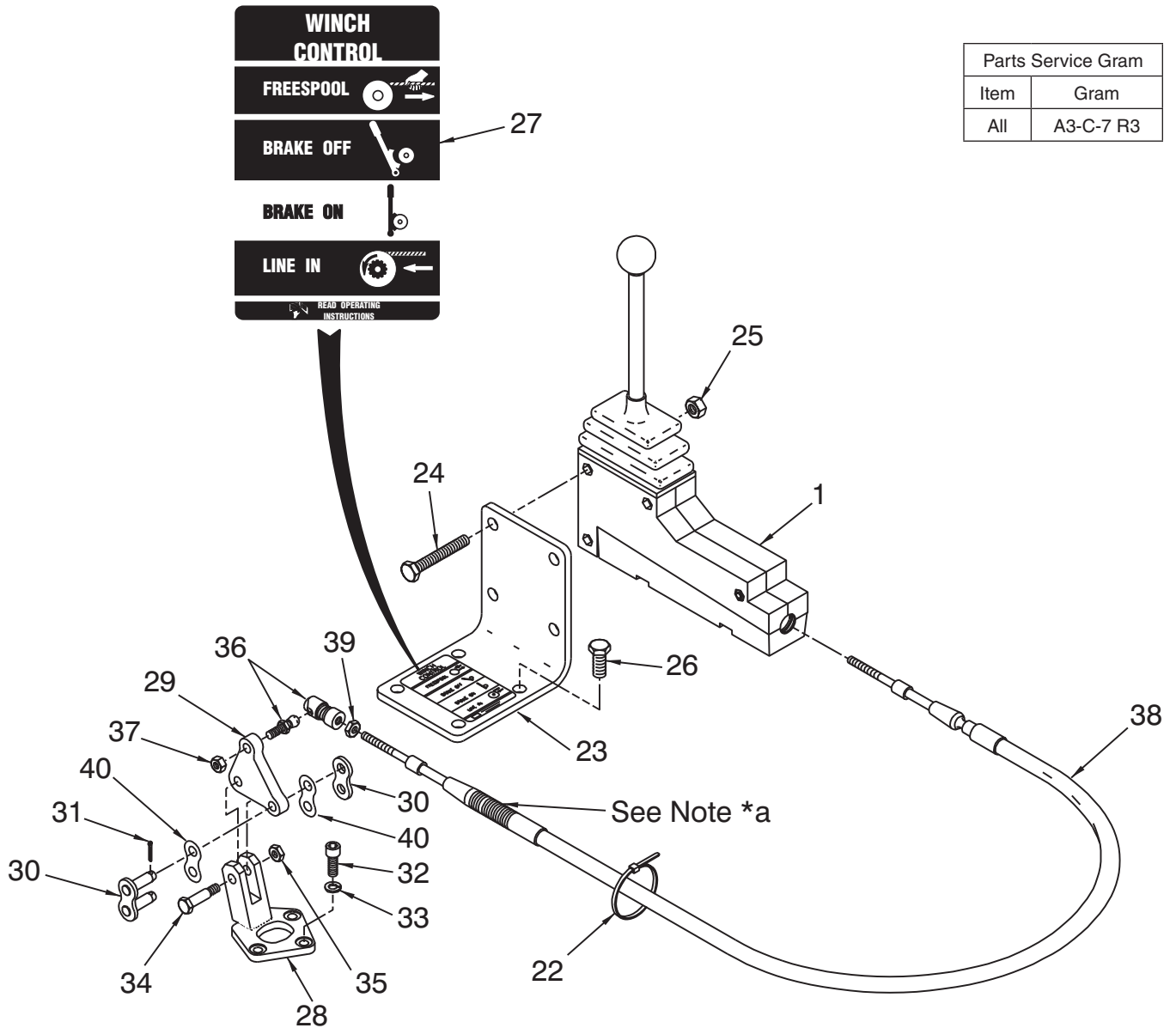


Item	Part No.	Description	Qty	Item	Part No.	Description	Qty
	2303531W	Pump	1				
1	NSS	. Cover, Rear	1	11	NSS	. Gear, Driven	1
2	NSS	. Gear, Drive	1	12	*a 39368W	. O-Ring	2
3	9033W	. Key	1	13	*a 243339W	. Shield, Heat	1
4	NSS	. Body	1	14	*a 243338W	. Gasket	1
5	*a 243340W	. Plate, Wear	1	15	*a 243337W	. V-Seal	1
6	NSS	. Pin	2	16	*a 243330W	. Seal, Shaft	1
7	NSS	. Cover, Front	1	17	*a 243343W	. Plate, Thrust	1
8	NSS	. Washer	8				
10	NSS	. Capscrew	8		*a	Included in 301978W Service Kit	

Handling Gear - PFO

Case 450 & 550 (R11)
 Case 650-850 (R13/14/15)
 Last Used on S/N AW3C-2356
 Page 1 of 2

Parts Service Gram	
Item	Gram
All	A3-C-7 R3



Handling Gear - PFO

Case 450 & 550 (R11)

Case 650-850 (R13/14/15)

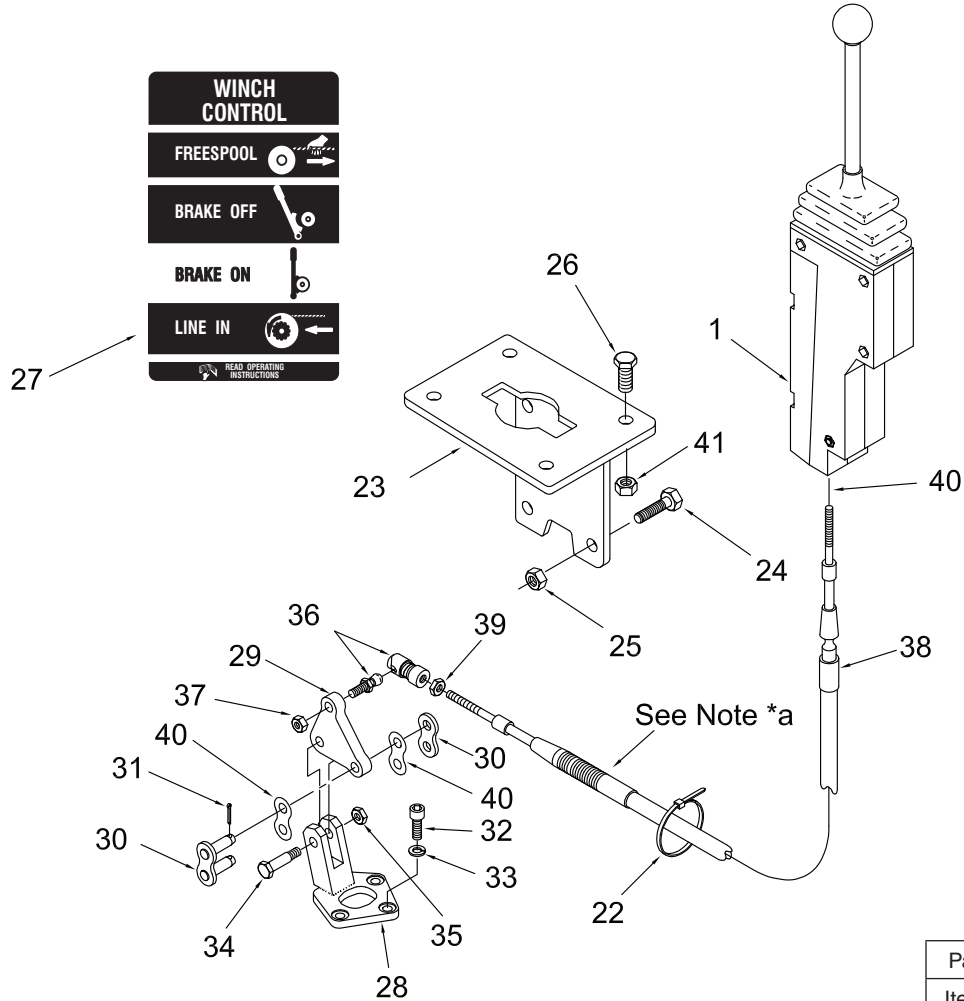
Last Used on S/N AW3C-2356

Page 2 of 2

Item	Part No.	Description	Qty	Item	Part No.	Description	Qty
1	*h 1314697W	Lever, Control (See 3-145)	1	33	18425W	Washer	3
	*f, *h 2303985W	Lever, Control (See 3-146)	1		*c 18425W	Washer	4
22	129563W	Clamp, Strap	1	34	1314759W	Bolt, Shoulder	1
23	*h 2300202W	Bracket, Control Lever	1	35	169874W	Nut	1
	*f, *h 2304386W	Bracket, Control Lever	1	36	139024W	Joint, Ball	1
24	*h 3003079W	Screw, Flange	3	37	221342W	Nut	1
	*f, *h 2304380W	Screw, Flange	3	38	2303401W	Cable	1
25	*g 191941W	Nut	3	39	15004W	Nut	1
26	2301495W	Screw	4	40	2302177W	Shim	2
27	1314401W	Decal	1				
28	1314477W	Bracket, Cable Pivot	1		*a	Use 318702W Thread Lock	
	*c, *d 2302049W	Bracket, Cable Pivot	1		*c	Used on S/N AW3C-1844 thru AW3C-2178	
	*e 2300978W	Bracket, Cable Pivot	1		*d	Low PTO Units only	
29	1314479W	Crank	1		*e	First Used on S/N AW3C-2179	
	*c 2300979W	Crank	1		*f	First Used on S/N AW3C-2463	
30	1314564W	Link, Master	1		*g	Last Used on S/N AW3C-2462	
31	15216W	Pin, Cotter	1		*h	Refer to Winch Parts Service Bulletin A3-C-7 R3	
32	16334W	Capscrew	3				
	*c 12949W	Capscrew	4				

Handling Gear - PFO

Case 650-850 (R13/14)
First Used on S/N AW3C-2357

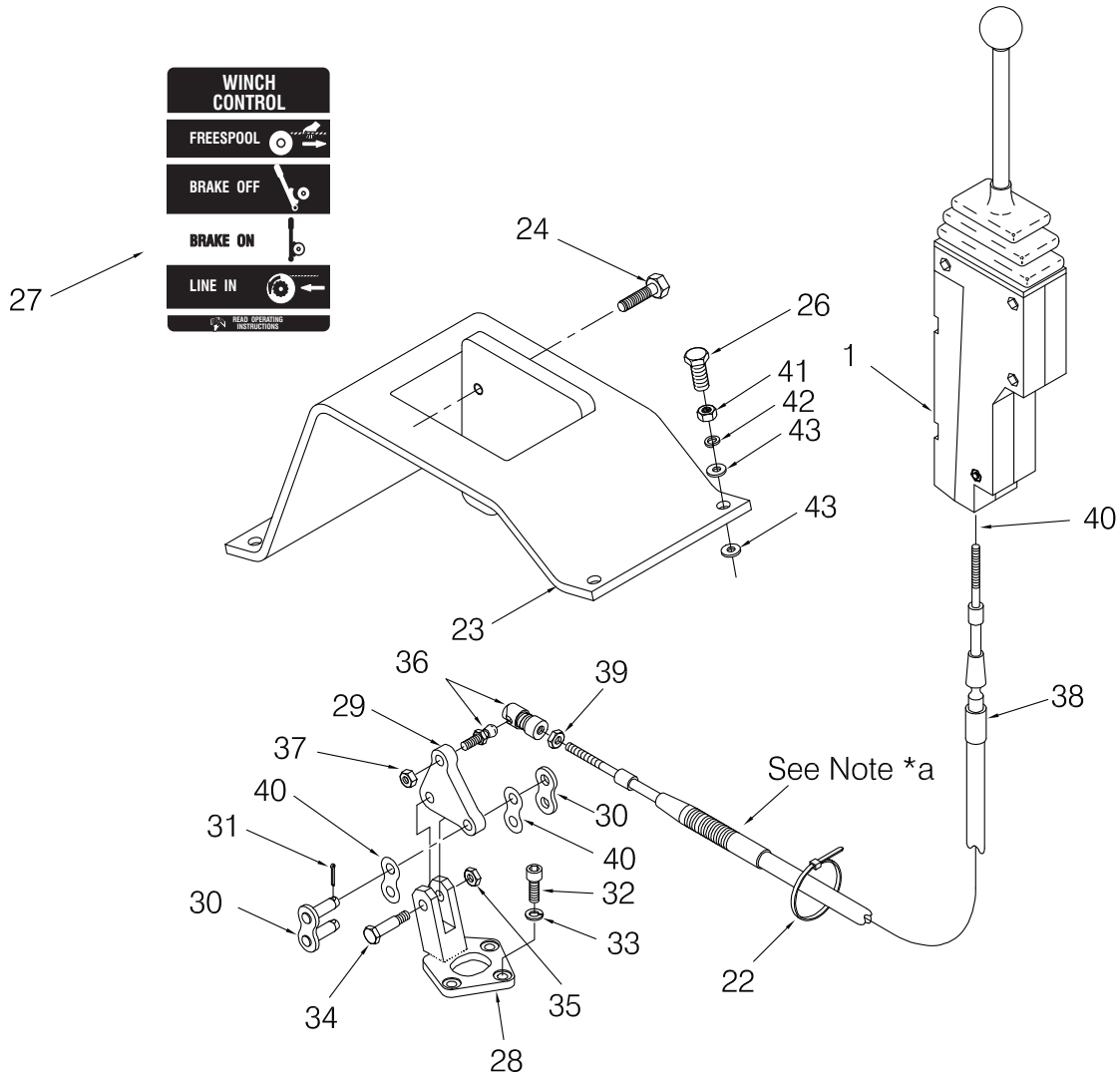


Item	Part No.	Description	Qty	Item	Part No.	Description	Qty
1	*b, *d 383880W	Lever, Control (See 3-143)	1	33	18425W	Washer	3
	*c, *d 2303982W	Lever, Control (See 3-144)	1	34	1314759W	Bolt, Shoulder	1
22	129563W	Clamp, Strap	1	35	169874W	Nut	1
23	*b, *d 2303729W	Bracket, Control Lever	1	36	139024W	Joint, Ball	1
23	*c, *d 2304306W	Bracket, Control Lever	1	37	221342W	Nut	1
24	*b, *d 3003079W	Screw, Flange	3	38	2303401W	Cable	1
24	*c, *d 2304380W	Screw, Flange	3	39	15004W	Nut	1
25	*c 191534W	Nut	3	40	2302177W	Shim	2
26	398599W	Screw	4	41	151663W	Nut	4
27	1314401W	Decal	1				
28	2300978W	Bracket, Cable Pivot	1				
29	2300979W	Crank	1				
30	1314564W	Link, Master	1				
31	15216W	Pin, Cotter	1				
32	12949W	Capscrew	4				

*a Use 318702W Thread Lock
*b Last Used on S/N AW3C-2476
*c First Used on S/N AW3C-2477
*d Refer to Winch Parts Service Bulletin A3-C-7 R3

Handling Gear - PFO

Case 650-850K (R14)

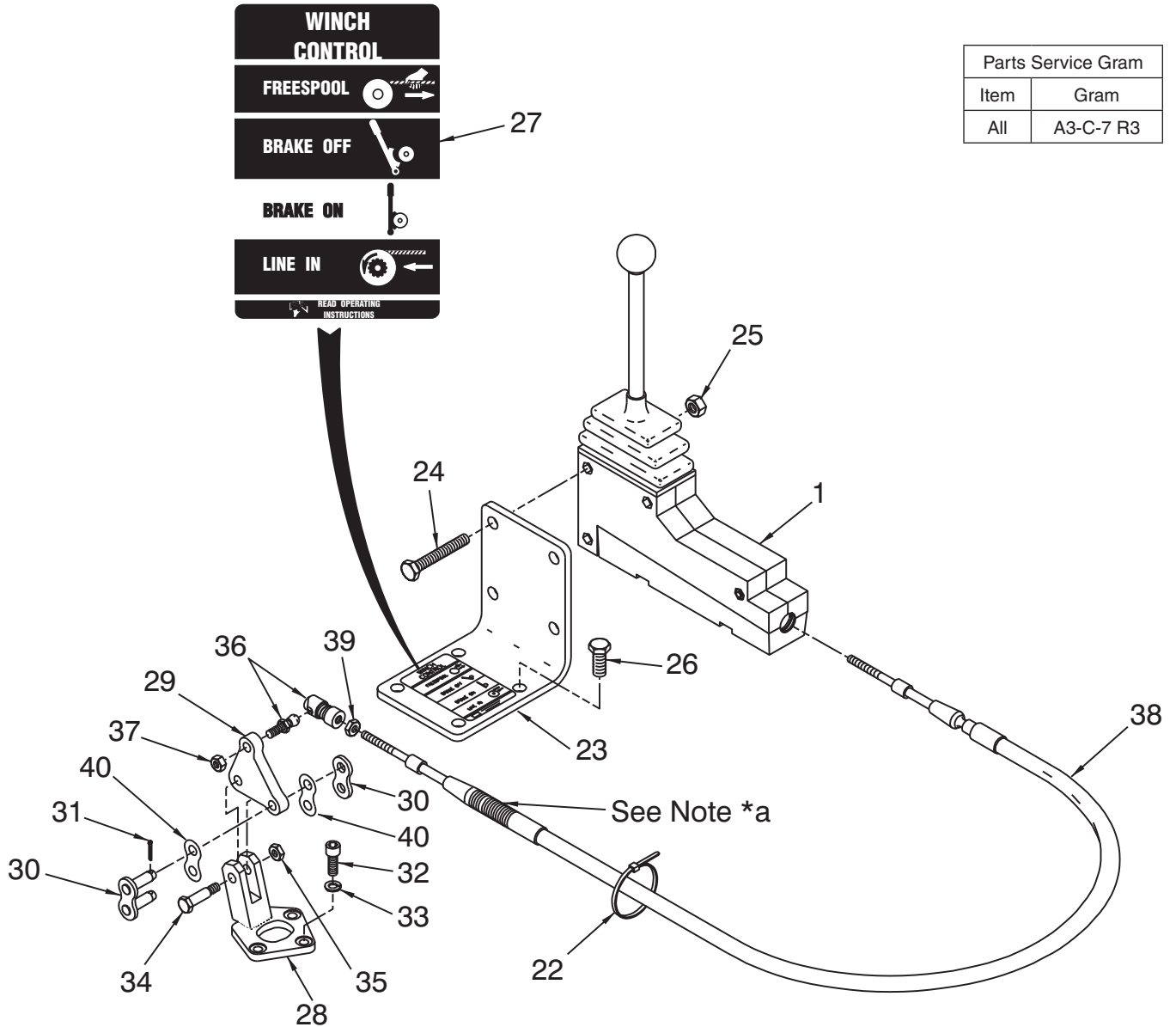


Item	Part No.	Description	Qty	Item	Part No.	Description	Qty
1	2303982W	Lever, Control (See 3-144)	1	35	169874W	Nut	1
22	129563W	Clamp, Strap	1	36	139024W	Joint, Ball	1
23	2305464W	Bracket, Control Lever	1	37	221342W	Nut	1
24	2304380W	Capscrew	3	38	2305026W	Cable	1
26	*a 18497W	Capscrew	4	39	15004W	Nut	1
27	1314401W	Decal	1	40	2302177W	Shim	2
28	2300978W	Bracket, Cable Pivot	1	41	15055W	Nut	4
29	2300979W	Crank	1	42	15155W	Lockwasher	4
30	1314564W	Link, Master	1	43	18515W	Washer	8
31	15216W	Pin, Cotter	1	44	225871	Trim, Protective (Not Illustrated)	2'
32	12949W	Capscrew	4				
33	18425W	Washer	3				
34	1314759W	Bolt, Shoulder	1				
				*a	Use 318702W Thread Lock		

Handling Gear - PFO

Caterpillar D3/4/5C Hystat (C16); D3B/C, D4B/C, D5C (C11);
D4H-DD, D4H-PS (C360/361); D5M (C30)

Parts Service Gram	
Item	Gram
All	A3-C-7 R3



Handling Gear - PFO

Caterpillar D3/4/5C Hystat (C16); D3B/C, D4B/C, D5C (C11);
D4H-DD, D4H-PS (C360/361); D5M (C30)

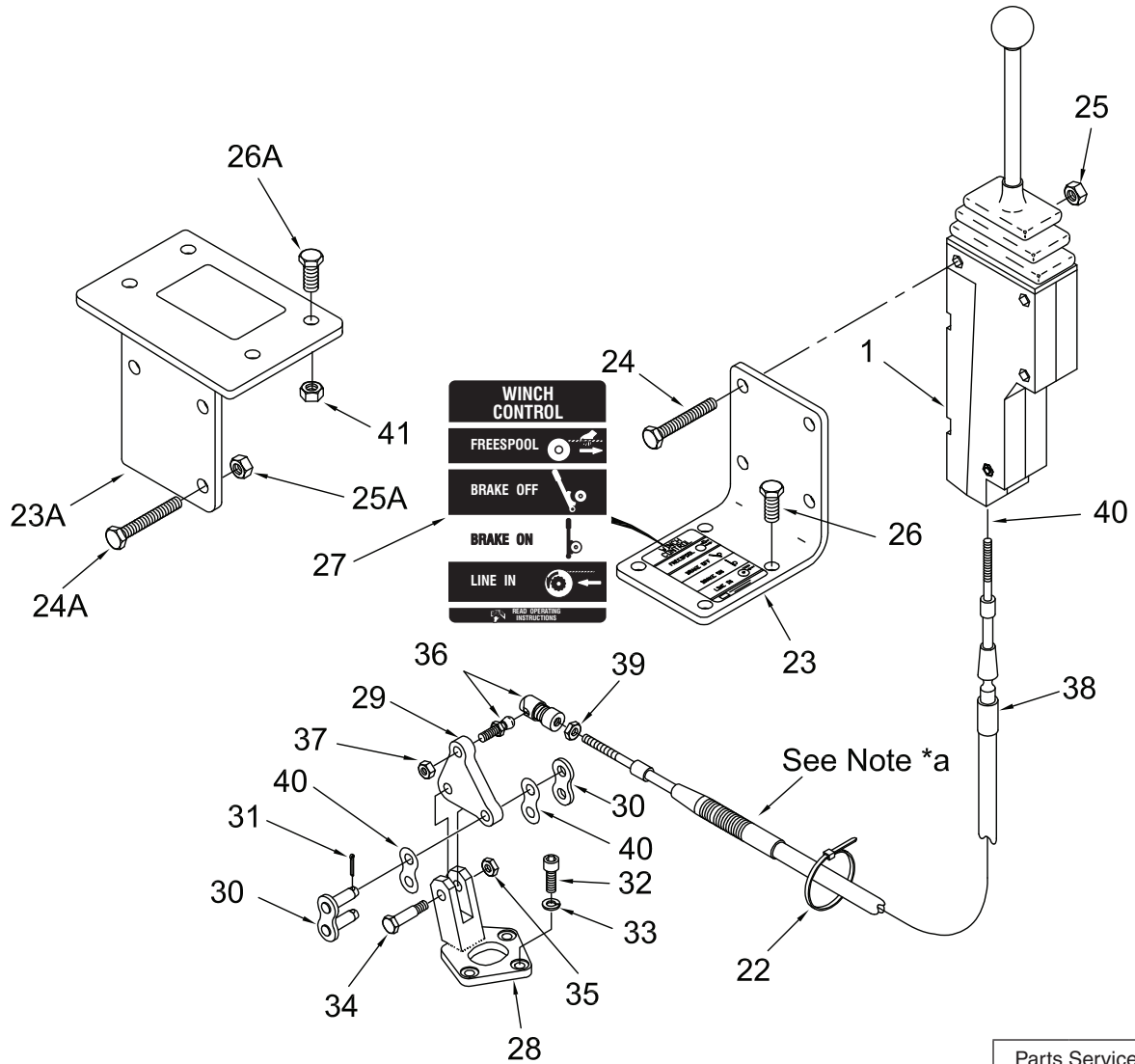
Page 2 of 2

Item	Part No.	Description	Qty	Item	Part No.	Description	Qty
1	*h 1314697W	Lever, Control (See 3-145)	1	34	1314759W	Bolt, Shoulder	1
	*f, *h 2303985W	Lever, Control (See 3-146)	1	35	169874W	Nut	1
22	129563W	Clamp, Strap	1	36	139024W	Joint, Ball	1
23	*h 2300202W	Bracket, Control Lever	1	37	221342W	Nut	1
	*f, *h 2304386W	Bracket, Control Lever	1	38	2303401W	Cable	1
24	*h 3003079W	Screw, Flange	3	39	15004W	Nut	1
	*f, *h 2304380W	Screw, Flange	3	40	2302177W	Shim	2
25	*g 191941W	Nut	3				
26	2301495W	Screw	4	*a	Use 318702W Thread Lock		
27	1314401W	Decal	1	*c	Used on S/N AW3C-1997 thru AW3C-2178		
28	1314477W	Bracket, Cable Pivot	1		Caterpillar D3/4/5C Hystat (C16). Used on		
	*c, *d 2302049W	Bracket, Cable Pivot	1		S/N AW3C-1844 thru AW3C-2178 for all other		
	*e 2300978W	Bracket, Cable Pivot	1		applications.		
29	1314479W	Crank	1	*d	Low PTO Units only		
	*c 2300979W	Crank	1	*e	First Used on S/N AW3C-2179		
30	1314564W	Link, Master	1	*f	First Used on S/N AW3C-2463		
31	15216W	Pin, Cotter	1	*g	Last Used on S/N AW3C-2462		
32	16334W	Capscrew	3	*h	Refer to Winch Parts Service Bulletin A3-C-7 R3		
	*c 12949W	Capscrew	4				
33	18425W	Washer	3				
	*c 18425W	Washer	4				

Handling Gear - PFO

Caterpillar D4E (C15/34)

Page 1 of 2



Parts Service Gram	
Item	Gram
All	A3-C-7 R3

Handling Gear - PFO

Caterpillar D4E (C15/34)

Page 2 of 2

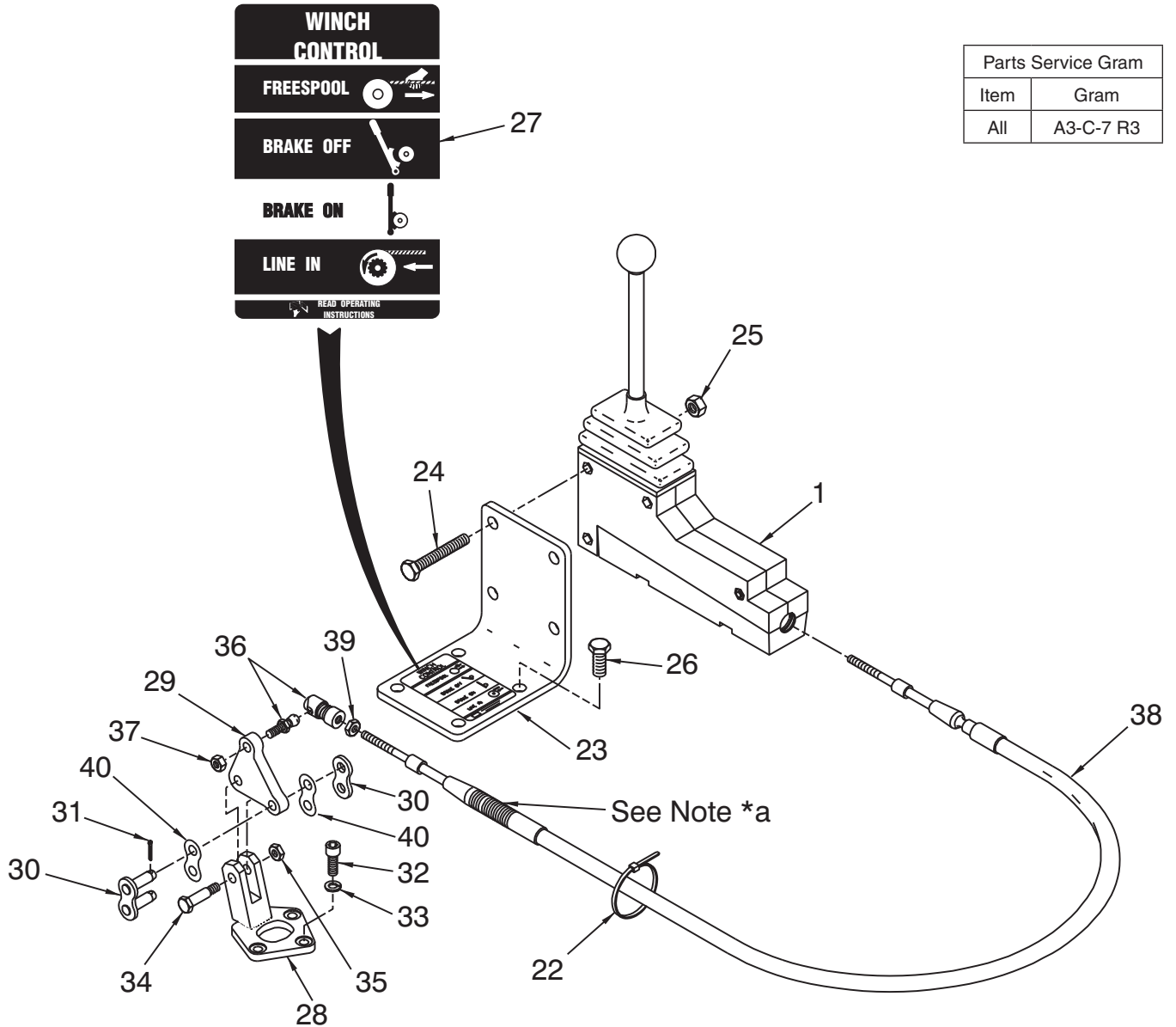
Item	Part No.	Description	Qty	Item	Part No.	Description	Qty
1	*g 383880W	Lever, Control (See 3-143)	1	34	1314759W	Bolt, Shoulder	1
	*h 2303982W	Lever, Control (See 3-144)	1	35	169874W	Nut	1
22	129563W	Clamp, Strap	1	36	139024W	Joint, Ball	1
23A	*g, *i 2303244W	Bracket, Control Lever	1	37	221342W	Nut	1
	*h, *i 2304306W	Bracket, Control Lever	1	38	2303401W	Cable	1
24A	*g, *i 2303517W	Screw, Flange	3	39	15004W	Nut	1
	*h, *i 2304380W	Screw, Flange	3	40	2302177W	Shim	2
25A	191534W	Nut	3	41	151663W	Nut	4
26A	398599W	Screw	4				
27	1314401W	Decal	1	*a	Use 318702W Thread Lock		
28	*c 2302049W	Bracket, Cable Pivot	1	*b	First Used on S/N AW3C-1844		
	*d 2300978W	Bracket, Cable Pivot	1	*c	Used on S/N AW3C-1844 thru AW3C-2178		
29	*b 2300979W	Crank	1	*d	First Used on S/N AW3C-2179		
30	1314564W	Link, Master	1	*g	Last Used on S/N AW3C-2476		
31	15216W	Pin, Cotter	1	*h	First Used on S/N AW3C-2477		
32	12949W	Capscrew	4	*i	Refer to Winch Parts Service Bulletin A3-C-7 R3		
33	18425W	Washer	4				

Handling Gear - PFO

Dresser/Dressta TD7G, TD8G, TD100/125E (H12); TD7H, TD8H, TD9H (H13)

Page 1 of 2

Parts Service Gram	
Item	Gram
All	A3-C-7 R3



Handling Gear - PFO

Dresser/Dressta TD7G, TD8G, TD100/125E (H12); TD7H, TD8H, TD9H (H13)

Page 2 of 2

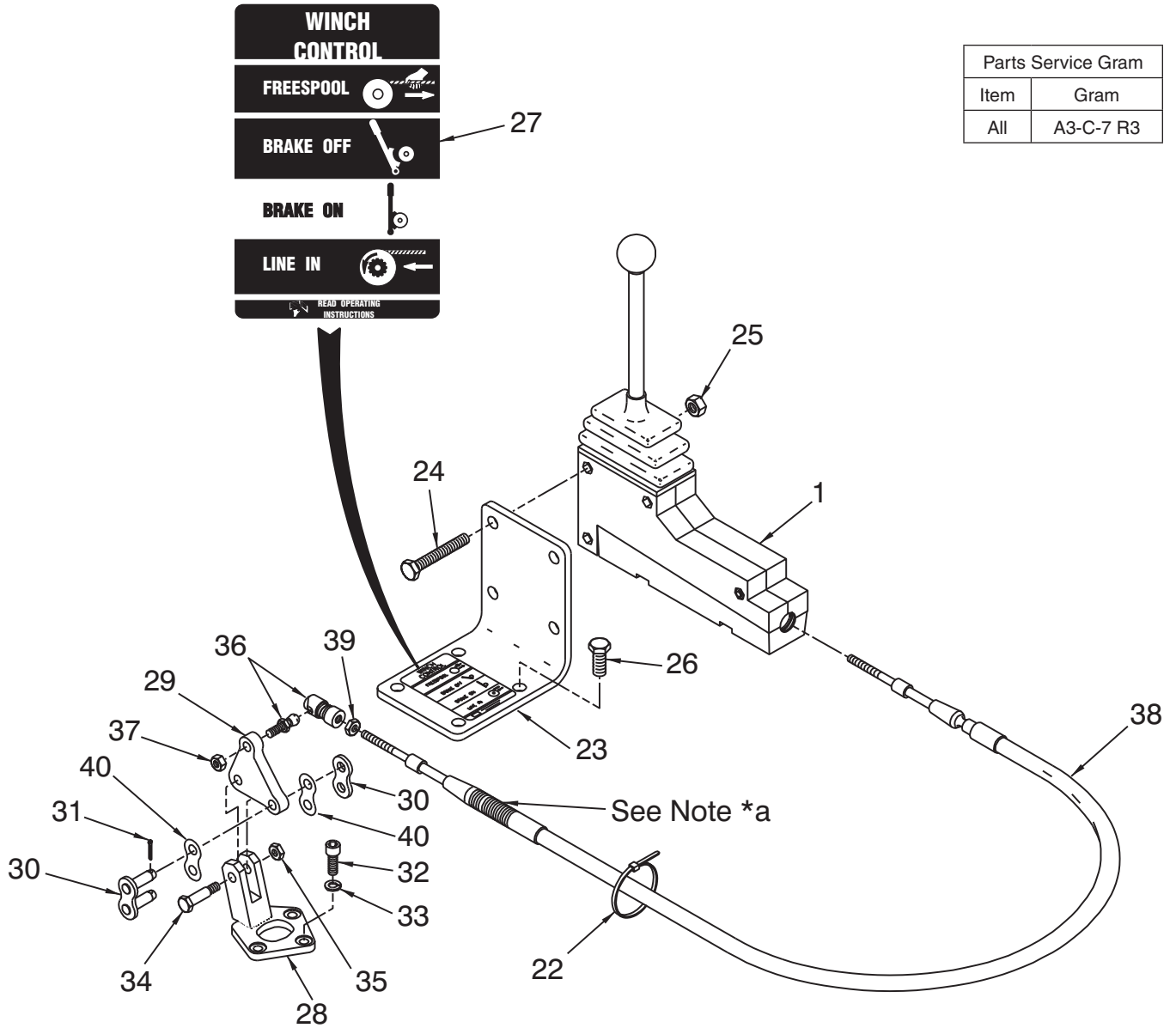
Item	Part No.	Description	Qty	Item	Part No.	Description	Qty
1	*h 1314697W	Lever, Control (See 3-145)	1	33	18425W	Washer	3
	*f, *h 2303985W	Lever, Control (See 3-146)	1		*c 18425W	Washer	4
22	129563W	Clamp, Strap	1	34	1314759W	Bolt, Shoulder	1
23	*h 2300202W	Bracket, Control Lever	1	35	169874W	Nut	1
	*f, *h 2304386W	Bracket, Control Lever	1	36	139024W	Joint, Ball	1
24	*h 3003079W	Screw, Flange	3	37	221342W	Nut	1
	*f, *h 2304380W	Screw, Flange	3	38	2303401W	Cable	1
25	*g 191941W	Nut	3	39	15004W	Nut	1
26	390288W	Screw	4	40	2302177W	Shim	2
27	1314401W	Decal	1		*a	Use 318702W Thread Lock	
28	1314477W	Bracket, Cable Pivot	1		*c	Used on S/N AW3C-1844 thru AW3C-2178	
	*c, *d 2302049W	Bracket, Cable Pivot	1		*d	Low PTO Units only	
	*e 2300978W	Bracket, Cable Pivot	1		*e	First Used on S/N AW3C-2179	
29	1314479W	Crank	1		*f	First Used on S/N AW3C-2463	
	*c 2300979W	Crank	1		*g	Last Used on S/N AW3C-2462	
30	1314564W	Link, Master	1		*h	Refer to Winch Parts Service Bulletin A3-C-7 R3	
31	15216W	Pin, Cotter	1				
32	16334W	Capscrew	3				
	*c 12949W	Capscrew	4				

Handling Gear - PFO

Fiat-Hitachi/New Holland FD5/7, FL5/7 (A11/12); FD80 DC70/80/100 (A16)

Page 1 of 2

Parts Service Gram	
Item	Gram
All	A3-C-7 R3



Handling Gear - PFO

Fiat-Hitachi/New Holland FD5/7, FL5/7 (A11/12); FD80 DC70/80/100 (A16)

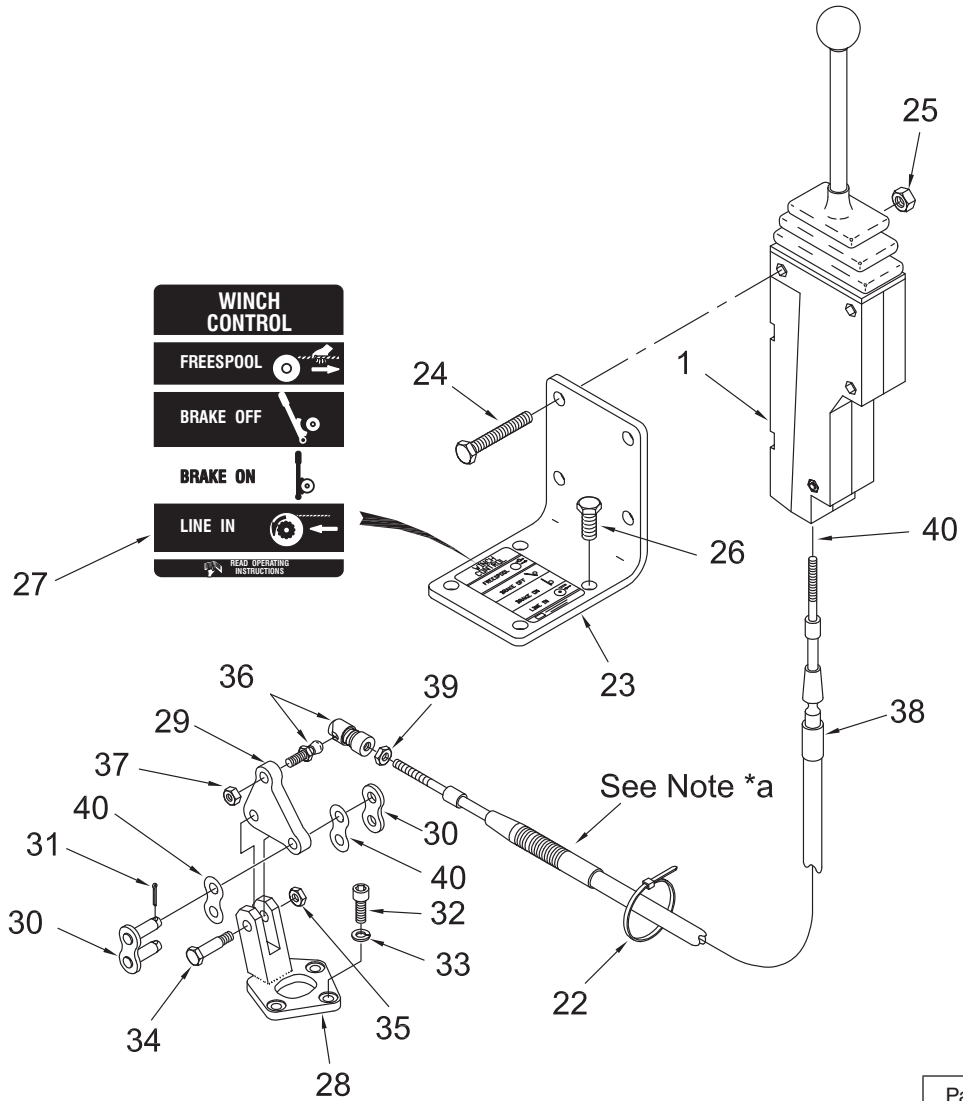
Page 2 of 2

Item	Part No.	Description	Qty	Item	Part No.	Description	Qty
1	*h 1314697W	Lever, Control (See 3-145)	1	33	18425W	Washer	3
	*f, *h 2303985W	Lever, Control (See 3-146)	1		*c 18425W	Washer	4
22	129563W	Clamp, Strap	1	34	1314759W	Bolt, Shoulder	1
23	*h 2300202W	Bracket, Control Lever	1	35	169874W	Nut	1
	*f, *h 2304386W	Bracket, Control Lever	1	36	139024W	Joint, Ball	1
24	*h 3003079W	Screw, Flange	3	37	221342W	Nut	1
	*f, *h 2304380W	Screw, Flange	3	38	2303401W	Cable	1
25	*g 191941W	Nut	3	39	15004W	Nut	1
26	2301495W	Screw	4	40	2302177W	Shim	2
27	1314401W	Decal	1				
28	1314477W	Bracket, Cable Pivot	1		*a	Use 318702W Thread Lock	
	*c, *d 2302049W	Bracket, Cable Pivot	1		*c	Used on S/N AW3C-1844 thru AW3C-2178	
	*e 2300978W	Bracket, Cable Pivot	1		*d	Low PTO Units only	
29	1314479W	Crank	1		*e	First Used on S/N AW3C-2179	
	*c 2300979W	Crank	1		*f	First Used on S/N AW3C-2463	
30	1314564W	Link, Master	1		*g	Last Used on S/N AW3C-2462	
31	15216W	Pin, Cotter	1		*h	Refer to Winch Parts Service Bulletin A3-C-7 R3	
32	16334W	Capscrew	3				
	*c 12949W	Capscrew	4				

Handling Gear - PFO

John Deere 450G-650G (E12)

Page 1 of 2



Parts Service Gram	
Item	Gram
All	A3-C-7 R3

Handling Gear - PFO

John Deere 450G-650G (E12)

Page 2 of 2

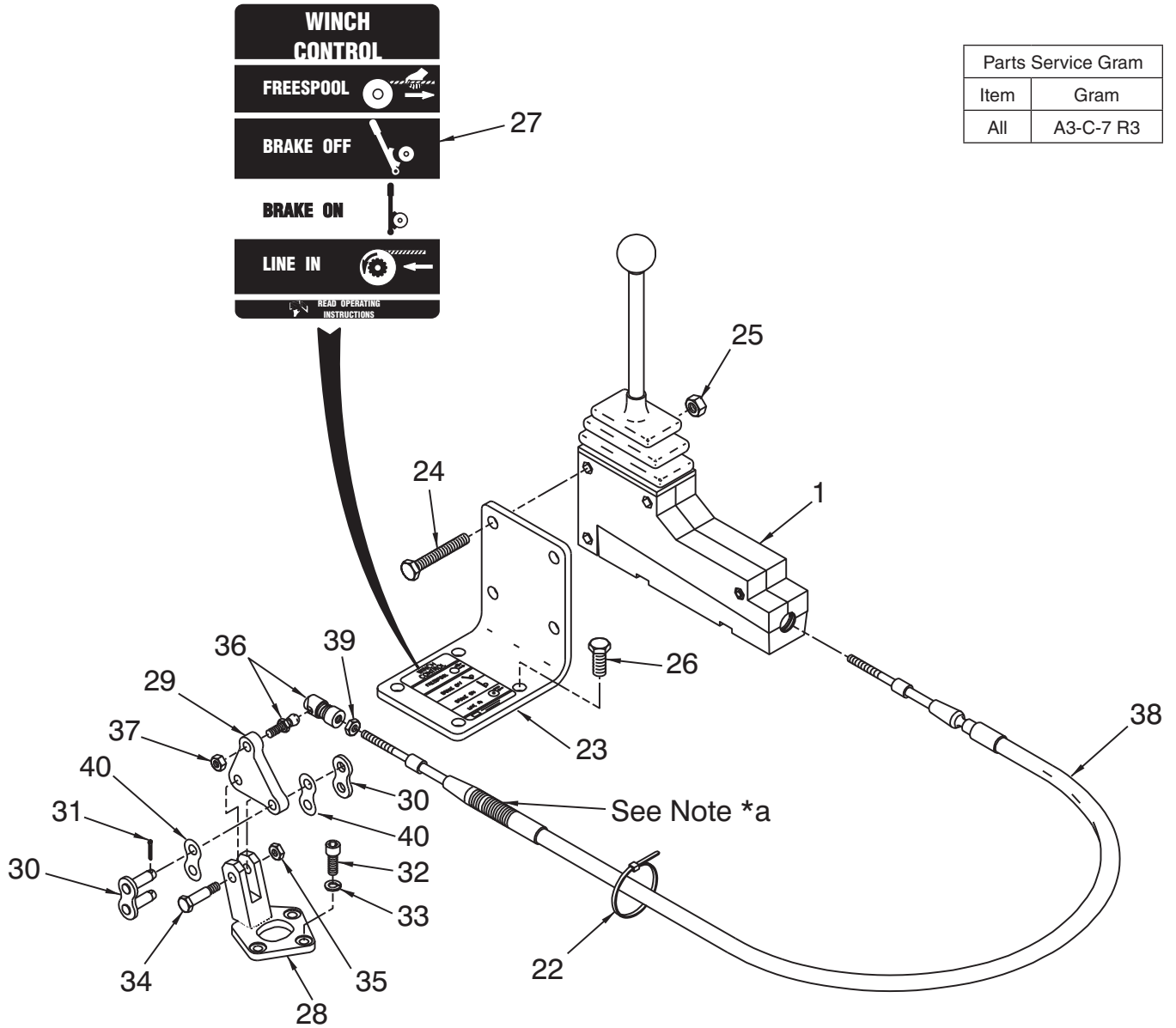
Item	Part No.	Description	Qty	Item	Part No.	Description	Qty
1	*g 383880W	Lever, Control (See 3-143)	1	32	16334W	Capscrew	3
	*h 2303982W	Lever, Control (See 3-144)	1	33	18425W	Washer	3
22	129563W	Clamp, Strap	1	34	1314759W	Bolt, Shoulder	1
23	*g, *i 2300202W	Bracket, Control Lever	1	35	169874W	Nut	1
	*h, *i 2304306W	Bracket, Control Lever	1	36	139024W	Joint, Ball	1
24	*g, *i 3003079W	Screw, Flange	3	37	221342W	Nut	1
	*h, *i 2304380W	Screw, Flange	3	38	2303401W	Cable	1
25	191941W	Nut	3	39	15004W	Nut	1
26	2301495W	Screw	4	40	2302177W	Shim	2
27	1314401W	Decal	1				
28	1314477W	Bracket, Cable Pivot	1		*a	Use 318702W Thread Lock	
	*d 2300978W	Bracket, Cable Pivot	1		*d	First Used on S/N AW3C-1997	
29	1314479W	Crank	1		*g	Last Used on S/N AW3C-2476	
	*d 2300979W	Crank	1		*h	First Used on S/N AW3C-2477	
30	1314564W	Link, Master	1		*i	Refer to Winch Parts Service Bulletin A3-C-7 R3	
31	15216W	Pin, Cotter	1				

Handling Gear - PFO

Komatsu D31/37/39 (K12); D32/38/39 (K13)

Page 1 of 2

Parts Service Gram	
Item	Gram
All	A3-C-7 R3



Handling Gear - PFO

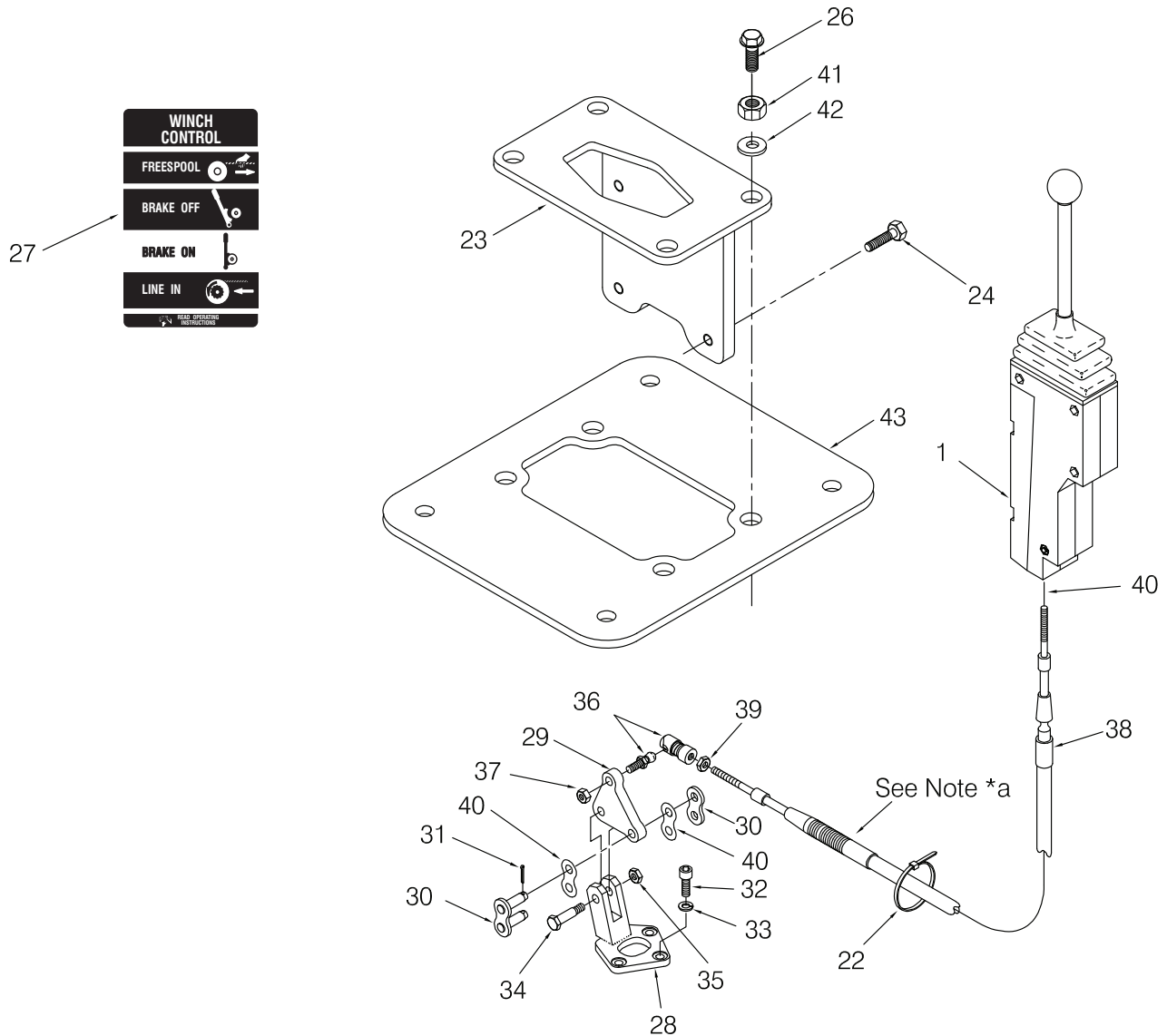
Komatsu D31/37/39 (K12); D32/38/39 (K13)

Page 2 of 2

Item	Part No.	Description	Qty	Item	Part No.	Description	Qty
1	*f, *h 1314697W	Lever, Control (See 3-145)	1	33	18425W	Washer	3
	*g, *h 2303985W	Lever, Control (See 3-146)	1		*c 18425W	Washer	4
22	129563W	Clamp, Strap	1	34	1314759W	Bolt, Shoulder	1
23	*f, *h 2300202W	Bracket, Control Lever	1	35	169874W	Nut	1
	*g, *h 2304386W	Bracket, Control Lever	1	36	139024W	Joint, Ball	1
24	*f, *h 3003079W	Screw, Flange	3	37	221342W	Nut	1
	*g, *h 2304380W	Screw, Flange	3	38	2303401W	Cable	1
25	191941W	Nut	3	39	15004W	Nut	1
26	390288W	Screw	4	40	2302177W	Shim	2
27	1314401W	Decal	1				
28	1314477W	Bracket, Cable Pivot	1		*a	Use 318702W Thread Lock	
	*c, *d 2302049W	Bracket, Cable Pivot	1		*c	Used on S/N AW3C-1997 thru AW3C-2178	
	*e 2300978W	Bracket, Cable Pivot	1			for Komatsu D31/37. Used on S/N AW3C-1844 thru	
29	1314479W	Crank	1			AW3C-2178 for all other applications.	
	*c 2300979W	Crank	1		*d	Low PTO Units only	
30	1314564W	Link, Master	1		*e	First Used on S/N AW3C-2179	
31	15216W	Pin, Cotter	1		*f	Last Used on S/N AW3C-2462	
32	16334W	Capscrew	3		*g	First Used on S/N AW3C-2463	
	*c 12949W	Capscrew	4		*h	Refer to Winch Parts Service Bulletin A3-C-7 R3	

Handling Gear - PFO

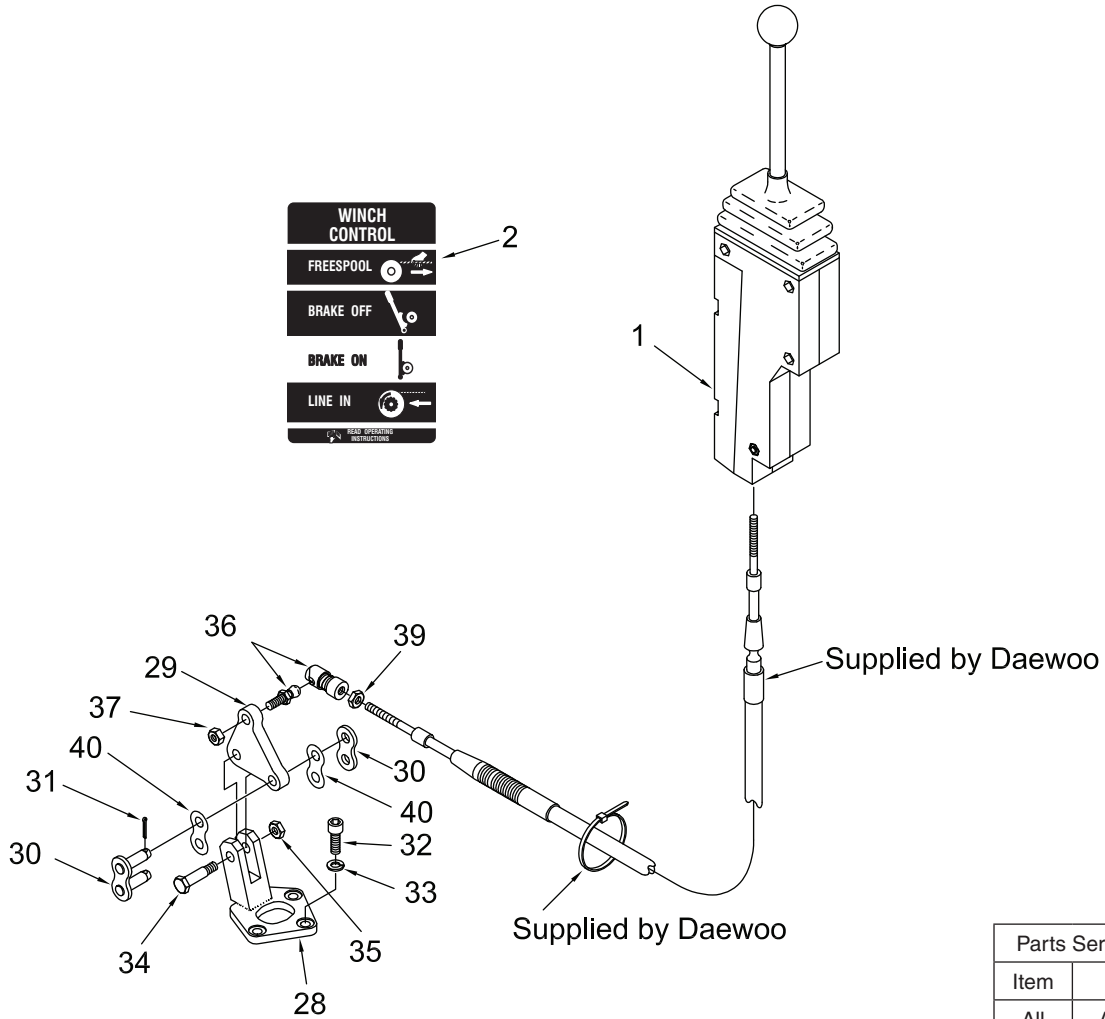
Komatsu D31/37/39 EX-21 KomStat (K12)



Item	Part No.	Description	Qty	Item	Part No.	Description	Qty
1	2303982W	Lever, Control (See 3-144)	1	34	1314759W	Bolt, Shoulder	1
22	129563W	Clamp, Strap	1	35	169874W	Nut	1
23	2304306W	Bracket, Control Lever	1	36	139024W	Joint, Ball	1
24	2304380W	Capscrew	3	37	221342W	Nut	1
26	*a 134803W	Capscrew	4	38	2303401W	Cable	75"
27	1314401W	Decal	1	39	15004W	Nut	1
28	2300978W	Bracket, Cable Pivot	1	40	2302177W	Link, Connecting	2
29	2300979W	Crank	1	41	221707W	Nut	4
30	1314564W	Link, Master	1	42	15156W	Washer	4
31	15216W	Pin, Cotter	1	43	2304838W	Plate, Adapter	1
32	12949W	Capscrew	4				
33	18425W	Washer	3				
				*a	Use 318702W Thread Lock		

Handling Gear - PFO

Daewoo DD80/80L (W11)



Parts Service Gram	
Item	Gram
All	A3-C-7 R3

Item	Part No.	Description	Qty	Item	Part No.	Description	Qty
1	*a, *b	1300785W	Lever, Control (See 3-142)	36	139024W	Joint, Ball	1
	*b	2303984W	Lever, Control (See 3-144)	37	221342W	Nut	1
2		1314401W	Decal	39	15004W	Nut	1
28		2300978W	Bracket, Cable Pivot	40	2302177W	Shim	2
29		2300979W	Crank				
30		1314564W	Link, Master				
31		15216W	Pin, Cotter				
32		16334W	Cap screw				
33		18425W	Washer				
34		1314759W	Bolt Shoulder				
35		169874W	Nut				

*a Last Used on S/N AW3C-2431
 *b Refer to Winch Parts Service Bulletin A3-C-7 R3

NOTE: Other parts used in installation are not illustrated in this manual because they are supplied by Daewoo.

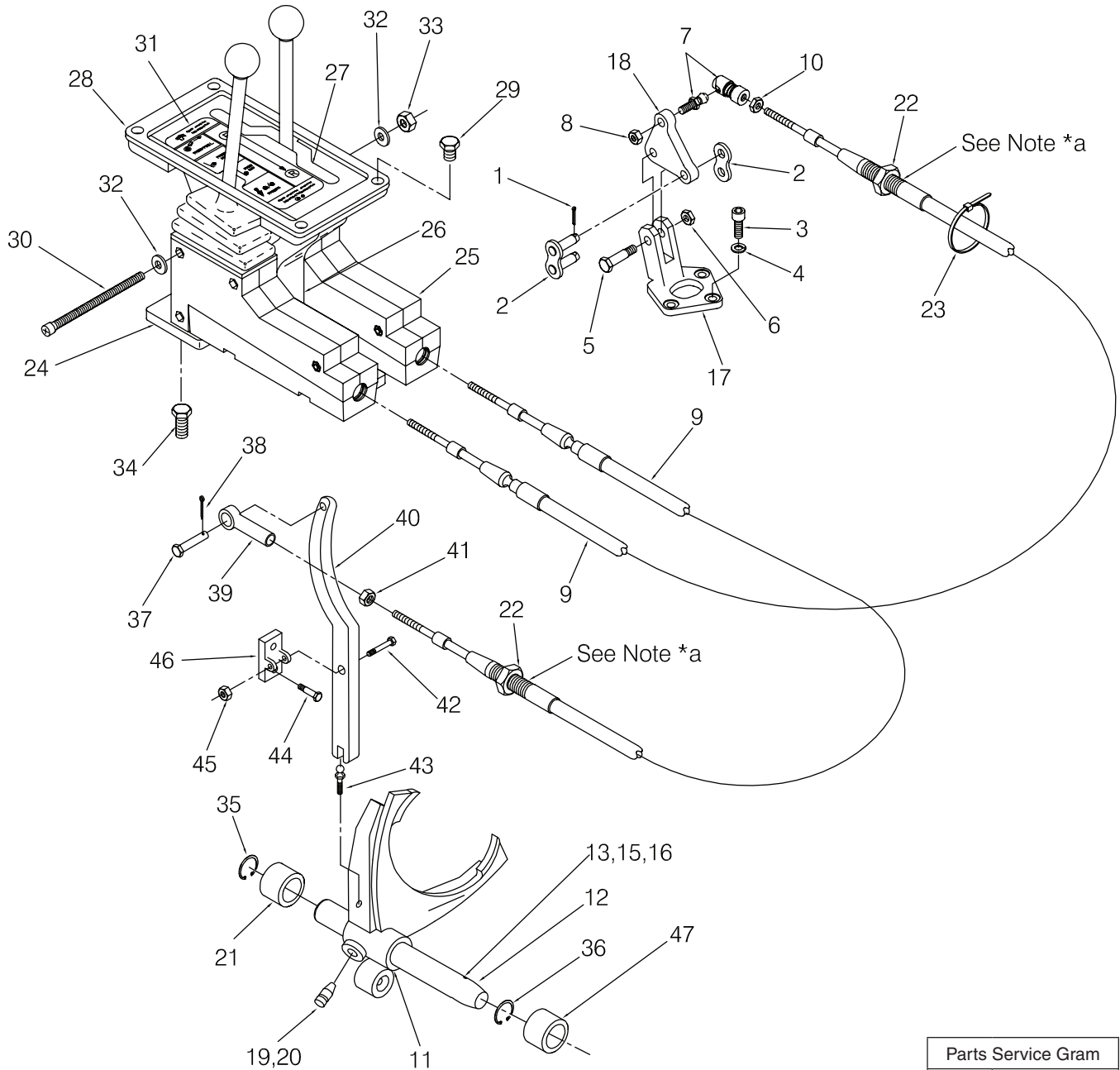
Handling Gear - PFR

Low PTO Input

Case 450-550G/H, 850G/H (R11); 650-850K, 750-850L, D75/85/95, D85/95B (R15)

Last Used on S/N AW3C-2502

Page 1 of 2



Parts Service Gram	
Item	Gram
All	A3-C-7 R3

Handling Gear - PFR

Low PTO Input

Case 450-550G/H, 850G/H (R11); 650-850K, 750-850L, D75/85/95, D85/95B (R15)

Last Used on S/N AW3C-2502

Page 2 of 2

Item	Part No.	Description	Qty	Item	Part No.	Description	Qty
1	15216W	Pin, Cotter	1	28	2301664W	. Cover	1
2	1314564W	Link, Master	1	29	18734W	. Screw	4
3	16334W	Capscrew	4	30	18530W	. Screw	3
4	18425W	Washer	4	31	2302316W	. Decal	1
5	1314759W	Bolt, Shoulder	1	32	18515W	. Washer	6
6	169874W	Nut	1	33	145639W	. Nut	3
7	139024W	Joint, Ball	1	34	16597W	Capscrew	3
8	221342W	Nut	1	35	*c 2301859W	Ring, Snap	1
9	*e 2303401W	Cable	2	36	58933W	Ring, Snap	1
	*k 2305026W	Cable	2	37	2302115W	Pin	1
10	15004W	Nut	1	38	18824W	Pin, Cotter	1
11	2301813W	Fork, Shifter	1	39	2302116W	End, Rod	1
11	*i 2303328W	Fork, Shifter	1	40	2301242W	Linkage, Shift	1
12	*b 2300859W	Shaft	1	41	15004W	Nut	1
12	*c 2301564W	Shaft	1	42	2301596W	Screw	1
12	*g 2303410W	Shaft	1	43	*f 139771W	Joint, Ball	1
13	*b 55280W	Ball, Steel	1	44	134803W	Screw	2
15	*b 2301104W	Spring	1	45	145641W	Nut	1
16	*a, *b 16238W	Screw	1	46	2301238W	Bracket, Shifter	1
17	2300978W	Pivot	1	47	2301170W	Bushing	1
18	2300979W	Crank	1				
19	27936W	Lockscrew	1		*a	Use 318702W Thread Lock	
20	67355W	Lockwire	AR		*b	Last Used on S/N AW3C-1621	
21	*b 2301170W	Bushing	1		*c	First Used on S/N AW3C-1622	
21	*c, *h 2301671W	Bushing	1		*e	First Used on S/N AW3C-2279	
22	15030W	Nut	2		*f	Use 383789W Adhesive Sealant	
23	129563W	Clamp	1		*g	First Used on S/N AW3C-2326	
24	*j 2301688W	Assembly, Control Lever	1		*h	Use 318701W Adhesive	
25	1314697W	. Lever, Control (See 3-145)	2		*i	First Used on S/N AW3C-2500	
26	2301665W	. Bracket	1		*j	Refer to Winch Parts Service Bulletin A3-C-7 R3	
27	2301661W	. Gate	1		*k	2ea 120" cables are required for R15	

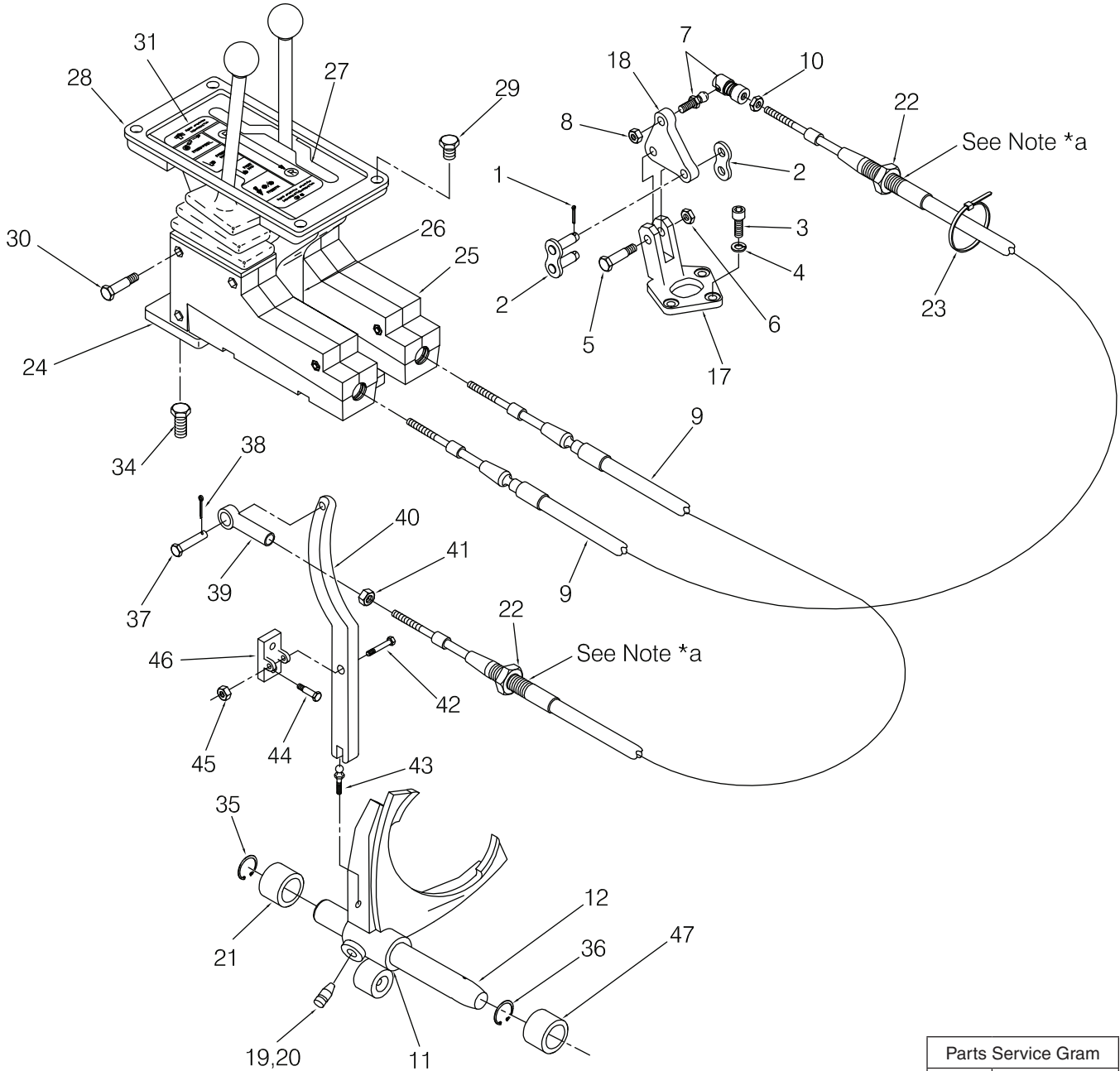
Handling Gear - PFR

Low PTO Input

Case 450-550G/H, 850G/H (R11); 650-850K, 750-850L, D75/85/95, D85/95B (R15)

First Used on S/N AW3C-2503

Page 1 of 2



Parts Service Gram	
Item	Gram
All	A3-C-7 R3

Handling Gear - PFR**Low PTO Input**

Case 450-550G/H, 850G/H (R11); 650-850K, 750-850L, D75/85/95, D85/95B (R15)

First Used on S/N AW3C-2503

Page 2 of 2

Item	Part No.	Description	Qty	Item	Part No.	Description	Qty
1	15216W	Pin, Cotter	1	28	2301664W	. Cover	1
2	1314564W	Link, Master	1	29	18734W	. Screw	4
3	16334W	Capscrew	4	30	18530W	. Capscrew	6
4	18425W	Washer	4	31	2302316W	. Decal	1
5	1314759W	Bolt, Shoulder	1	34	16597W	Capscrew	3
6	169874W	Nut	1	35	2301859W	Ring, Snap	1
7	139024W	Joint, Ball	1	36	58933W	Ring, Snap	1
8	221342W	Nut	1	37	2302115W	Pin	1
9	2303401W	Cable	2	38	18824W	Pin, Cotter	1
	*d 2305026W	Cable	2	39	2302116W	End, Rod	1
10	15004W	Nut	1	40	2301242W	Linkage, Shift	1
11	2303328W	Fork, Shifter	1	41	15004W	Nut	1
12	2303410W	Shaft	1	42	2301596W	Screw	1
17	2300978W	Pivot	1	43	*b 139771W	Joint, Ball	1
18	2300979W	Crank	1	44	134803W	Screw	2
19	27936W	Lockscrew	1	45	145641W	Nut	1
20	67355W	Lockwire	AR	46	2301238W	Bracket, Shifter	1
21	*c 2301671W	Bushing	1	47	2301170W	Bushing	1
22	15030W	Nut	2				
23	129563W	Clamp	1		*a Use 318702W Thread Lock		
24	2304331W	Assembly, Control Lever	1		*b Use 383789W Thread Lock		
25	2303985W	. Lever, Control (See 3-146)	2		*c Use 318701W Adhesive		
26	2304384W	. Bracket	1		*d R15 Only		
27	2301661W	. Gate	1				

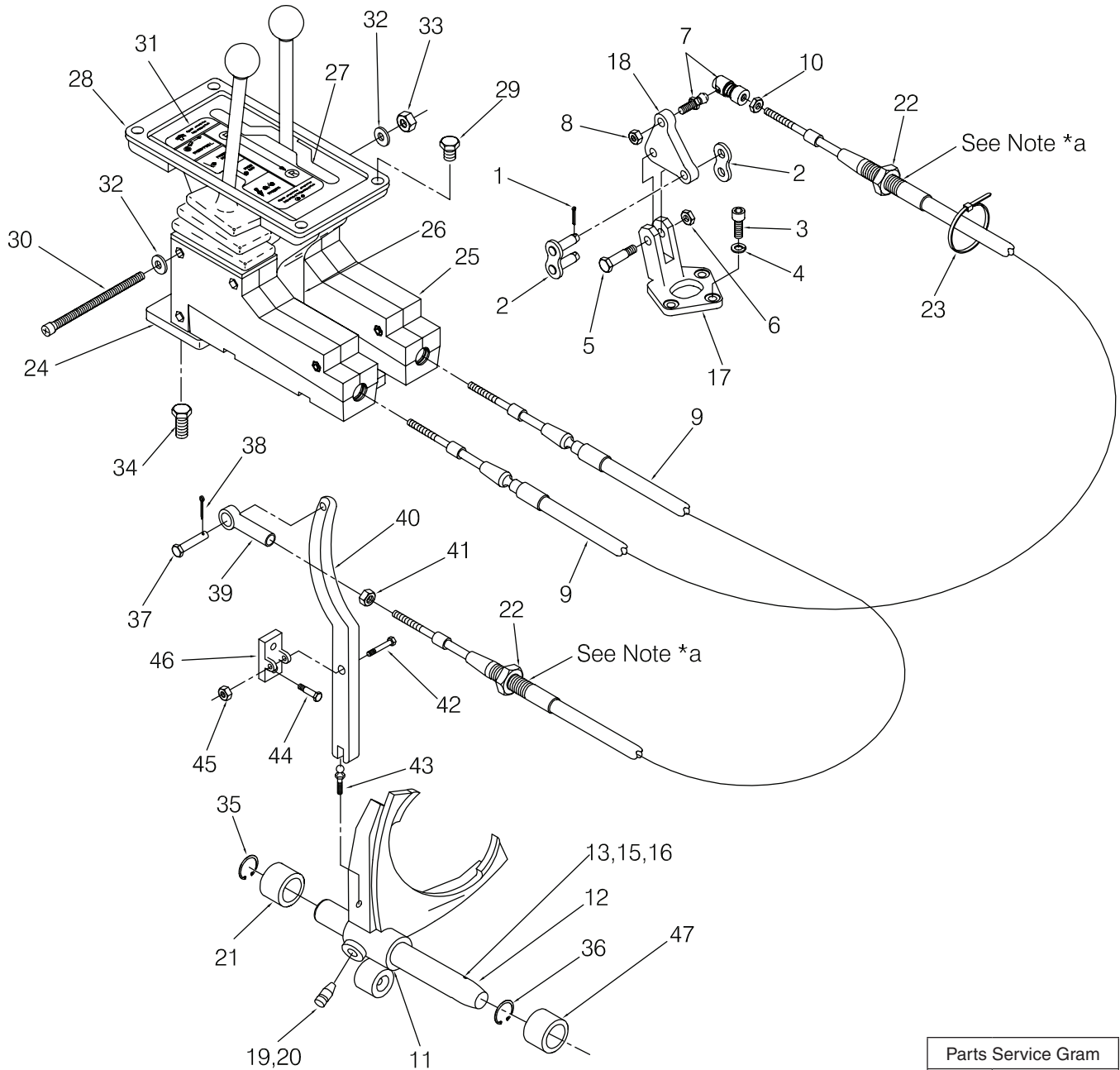
Handling Gear - PFR

Low PTO Input

Caterpillar D4E (C15/34)

Last Used on S/N AW3C-2502

Page 1 of 2



Parts Service Gram	
Item	Gram
All	A3-C-7 R3

Handling Gear - PFR**Low PTO Input**

Caterpillar D4E (C15/34)

Last Used on S/N AW3C-2502

Page 2 of 2

Item	Part No.	Description	Qty	Item	Part No.	Description	Qty
1	15216W	Pin, Cotter	1	28	2301664W	. Cover	1
2	1314564W	Link, Master	1	29	18734W	. Screw	4
3	16334W	Capscrew	4	30	18530W	. Screw	3
4	18425W	Washer	4	31	2302316W	. Decal	1
5	1314759W	Bolt, Shoulder	1	32	18515W	. Washer	6
6	169874W	Nut	1	33	145639W	. Nut	3
7	139024W	Joint, Ball	1	34	2301495W	Capscrew	3
8	221342W	Nut	1	35	*c 2301859W	Ring, Snap	1
9	*e 2303401W	Cable	2	36	58933W	Ring, Snap	1
10	15004W	Nut	1	37	2302115W	Pin	1
11	2301813W	Fork, Shifter	1	38	18824W	Pin, Cotter	1
11	*i 2303328W	Fork, Shifter	1	39	2302116W	End, Rod	1
12	*b 2300859W	Shaft	1	40	2301242W	Linkage, Shift	1
12	*c 2301564W	Shaft	1	41	15004W	Nut	1
12	*g 2303410W	Shaft	1	42	2301596W	Screw	1
13	*b 55280W	Ball, Steel	1	43	*f 139771W	Joint, Ball	1
15	*b 2301104W	Spring	1	44	134803W	Screw	2
16	*a, *b 16238W	Screw	1	45	145641W	Nut	1
17	2300978W	Pivot	1	46	2301238W	Bracket, Shifter	1
18	2300979W	Crank	1	47	2301170W	Bushing	1
19	27936W	Lockscrew	1				
20	67355W	Lockwire	AR				
21	*b 2301170W	Bushing	1	*a	Use 318702W Thread Lock		
21	*c, *h 2301671W	Bushing	1	*b	Last Used on S/N AW3C-1621		
22	15030W	Nut	2	*c	First Used on S/N AW3C-1622		
23	129563W	Clamp	1	*e	First Used on S/N AW3C-2279		
24	*j 2301688W	Assembly, Control Lever	1	*f	Use 383789W Adhesive Sealant		
25	1314697W	. Lever, Control (See 3-145)	2	*g	First Used on S/N AW3C-2326		
26	2301665W	. Bracket	1	*h	Use 318701W Adhesive		
27	2301661W	. Gate	1	*i	First Used on S/N AW3C-2500		
				*j	Refer to Winch Parts Service Bulletin A3-C-7 R3		

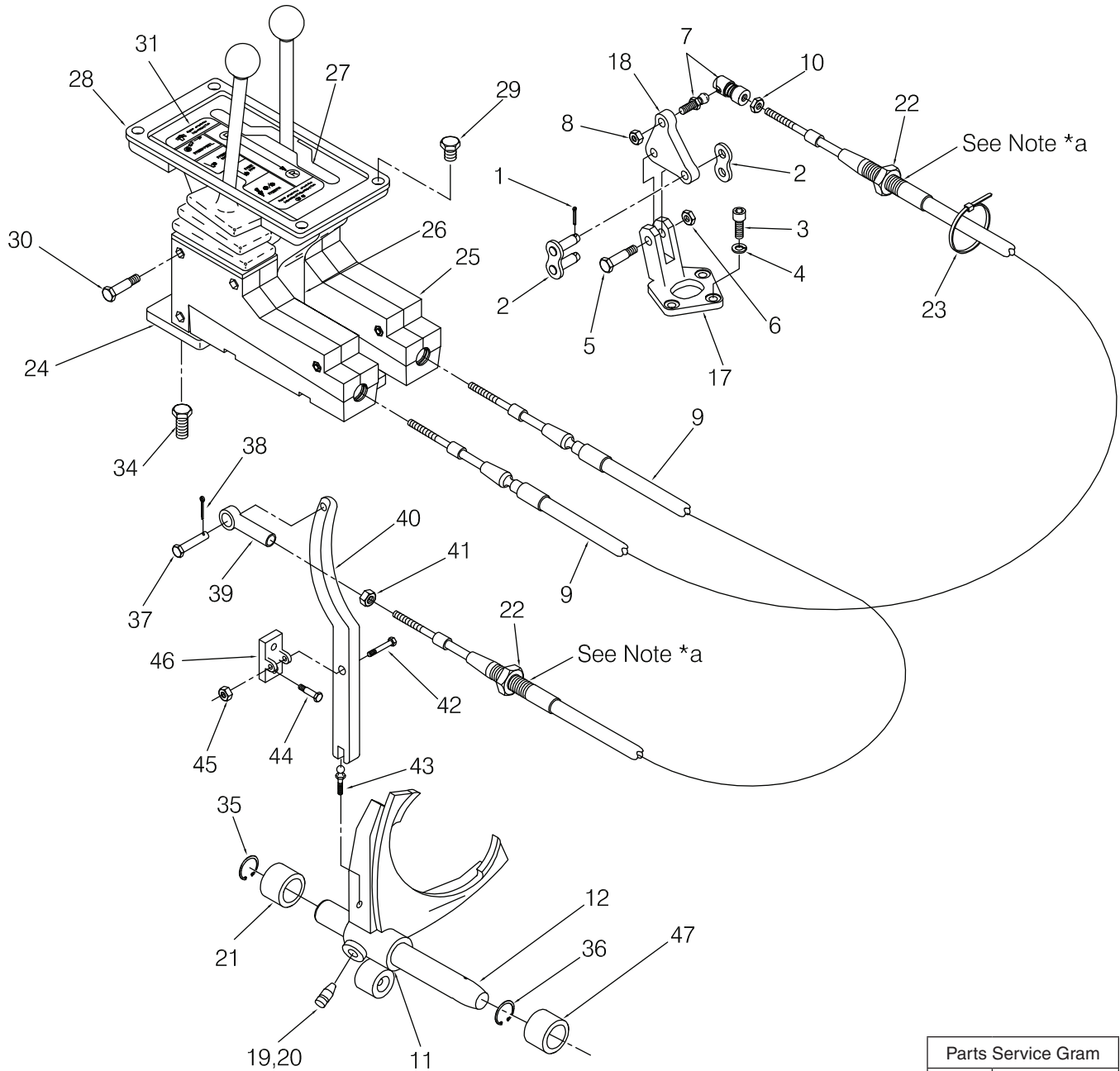
Handling Gear - PFR

Low PTO Input

Caterpillar D4E (C15/34)

First Used on S/N AW3C-2503

Page 1 of 2



Parts Service Gram	
Item	Gram
All	A3-C-7 R3

Handling Gear - PFR**Low PTO Input**

Caterpillar D4E (C15/34)

First Used on S/N AW3C-2503

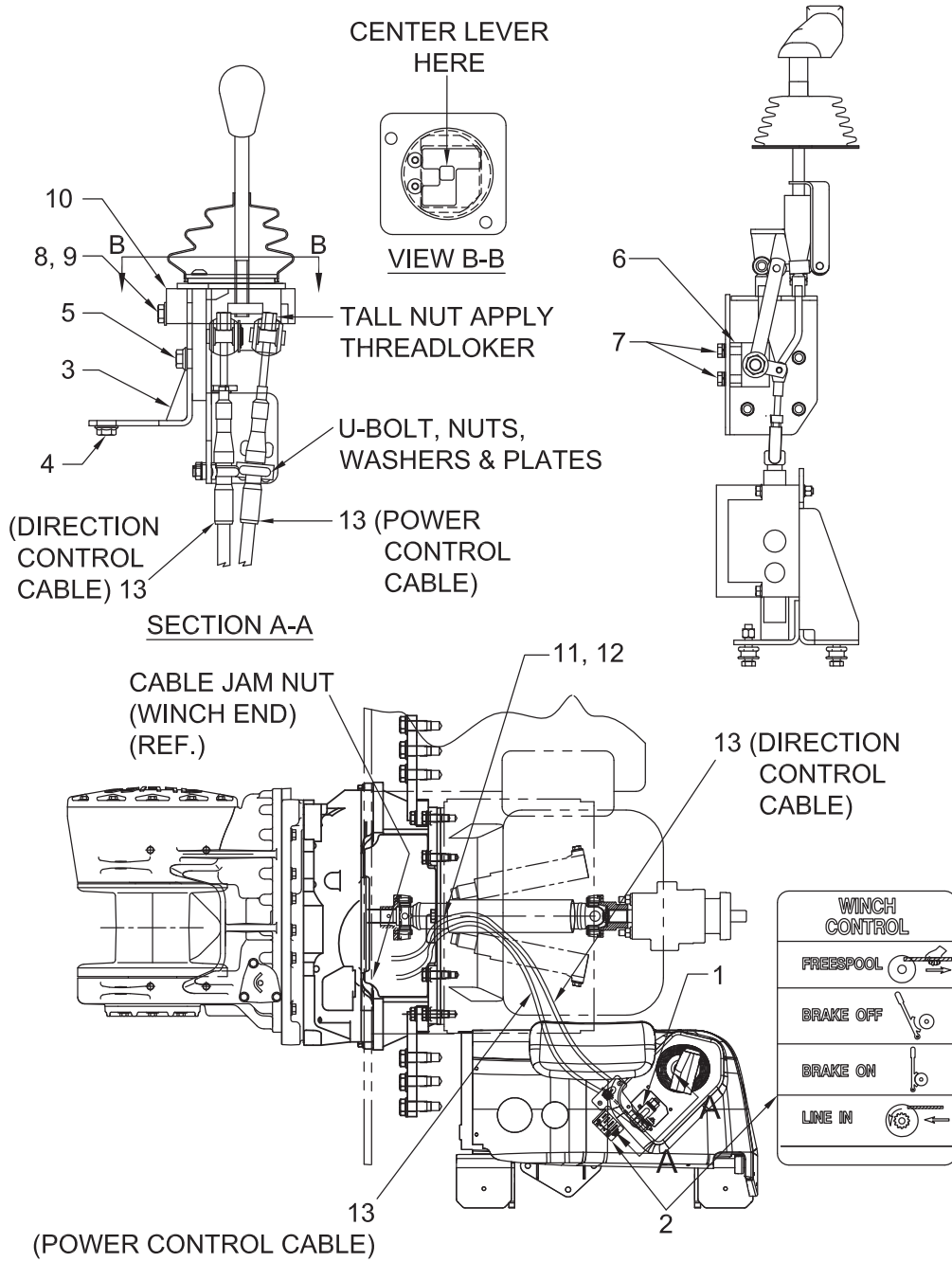
Page 2 of 2

Item	Part No.	Description	Qty	Item	Part No.	Description	Qty
1	15216W	Pin, Cotter	1	28	2301664W	. Cover	1
2	1314564W	Link, Master	1	29	18734W	. Screw	4
3	16334W	Capscrew	4	30	18530W	. Capscrew	6
4	18425W	Washer	4	31	2302316W	. Decal	1
5	1314759W	Bolt, Shoulder	1	34	2301495W	Capscrew	3
6	169874W	Nut	1	35	2301859W	Ring, Snap	1
7	139024W	Joint, Ball	1	36	58933W	Ring, Snap	1
8	221342W	Nut	1	37	2302115W	Pin	1
9	2303401W	Cable	2	38	18824W	Pin, Cotter	1
10	15004W	Nut	1	39	2302116W	End, Rod	1
11	2303328W	Fork, Shifter	1	40	2301242W	Linkage, Shift	1
12	2303410W	Shaft	1	41	15004W	Nut	1
17	2300978W	Pivot	1	42	2301596W	Screw	1
18	2300979W	Crank	1	43	*b 139771W	Joint, Ball	1
19	27936W	Lockscrew	1	44	134803W	Screw	2
20	67355W	Lockwire	AR	45	145641W	Nut	1
21	*c 2301671W	Bushing	1	46	2301238W	Bracket, Shifter	1
22	15030W	Nut	2	47	2301170W	Bushing	1
23	129563W	Clamp	1				
24	2304331W	Assembly, Control Lever	1	*a	Use 318702W Thread Lock		
25	2303985W	. Lever, Control (See 3-146)	2	*b	Use 383789W Thread Lock		
26	2304384W	. Bracket	1	*c	Use 318701W Adhesive		
27	2301661W	. Gate	1				

Handling Gear - PFR

Low PTO Input

Case 650-850K (R15),
Case 750L-850L (R15)

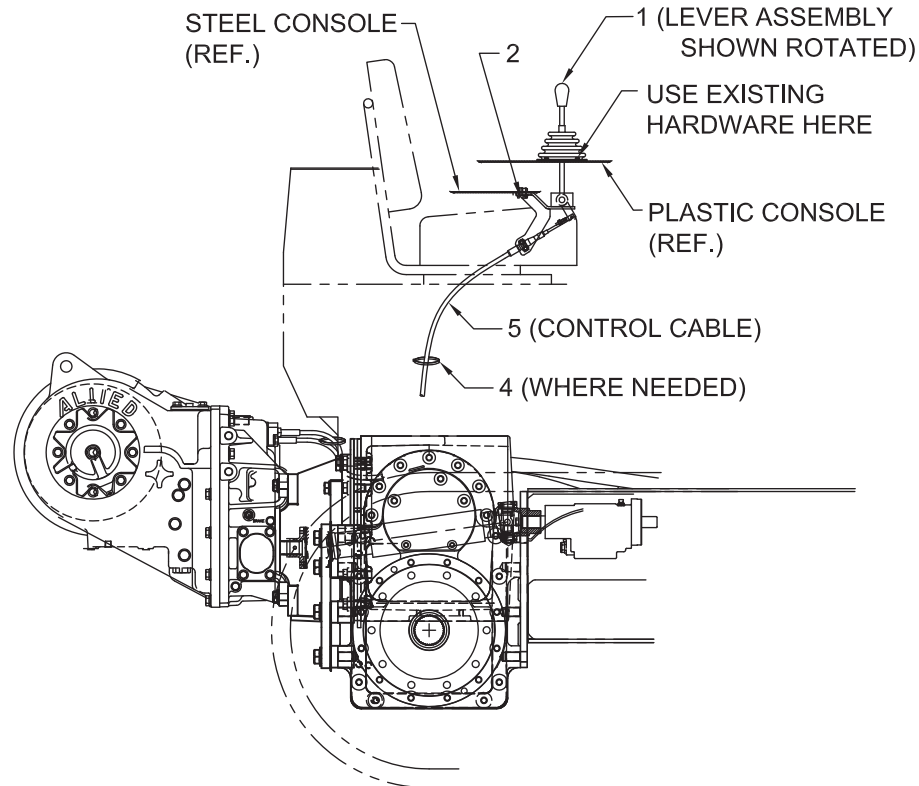
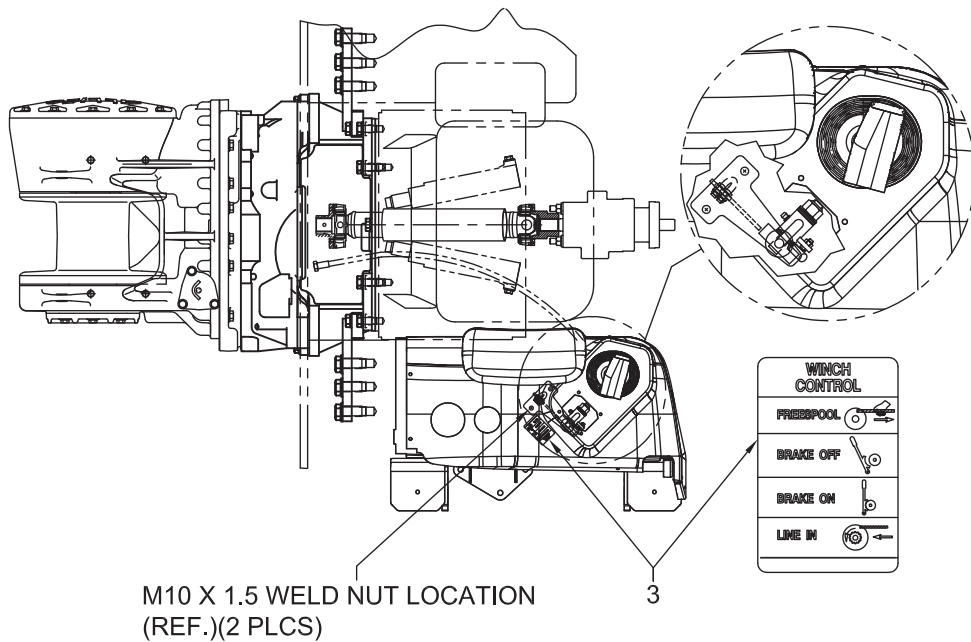


Item	Part No.	Description	Qty	Item	Part No.	Description	Qty
1	2307005W	Assembly, Control Lever (See 3-148)	1	8	15134W	Washer	1
2	2305159W	Decal	1	9	16815W	Capscrew	1
3	2307006W	Bracket	1	10	2306998W	Spacer	1
4	2303609W	Flangescrew	2	11	129563W	Clamp, Strap	AR
5	134803W	Flangescrew	1	12	2303039W	Guard, Cable	2
6	2306098W	Spacer	1	13	2305026W	Cable, Control	2
7	292515W	Capscrew	2				

Handling Gear - PFO

Low PTO Input

Case 650-850K (R15),
Case 750L-850L (R15)



Item	Part No.	Description	Qty	Item	Part No.	Description	Qty
1	2305938W	Assembly, Control Lever (See 3-147)	1	4	129563W	Strap, Clamp	AR
2	2303609W	Flangescrew	2	5	2305026W	Cable, Control	1
3	1314401W	Decal, PFO	1				

Handling Gear - PFR

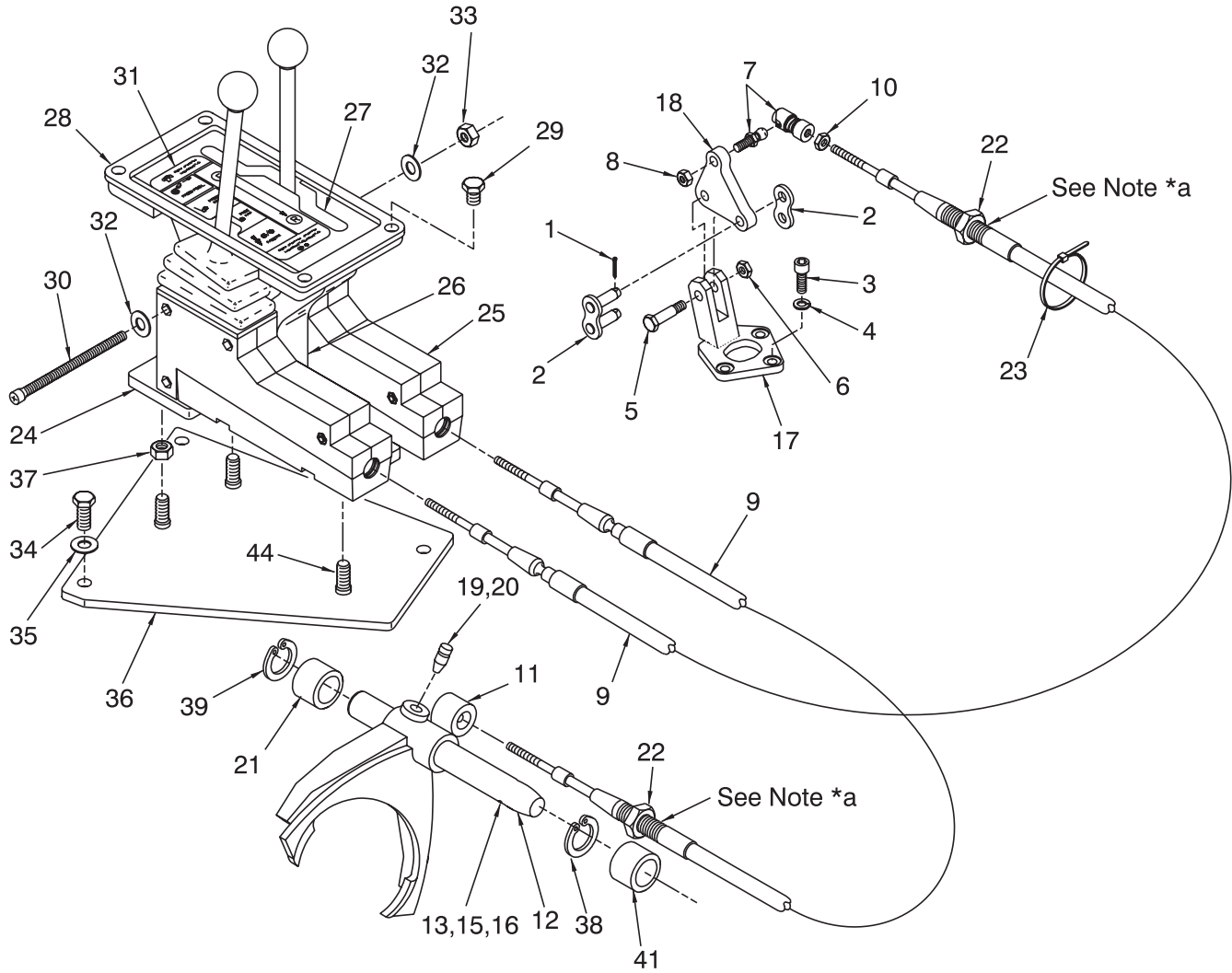
High PTO Input

Caterpillar D3B/C, D4B/C, D5C PS & DD (C11); D3/4/5/C Hystat (C16);

D4H-DD D4H-PS (C360/361/362); D5M (C30)

Last Used on S/N AW3C-2502

Page 1 of 2



Parts Service Gram	
Item	Gram
All	A3-C-7 R3

Handling Gear - PFR**High PTO Input**

Caterpillar D3B/C, D4B/C, D5C PS & DD (C11); D3/4/5/C Hystat (C16);

D4H-DD D4H-PS (C360/361/362); D5M (C30)

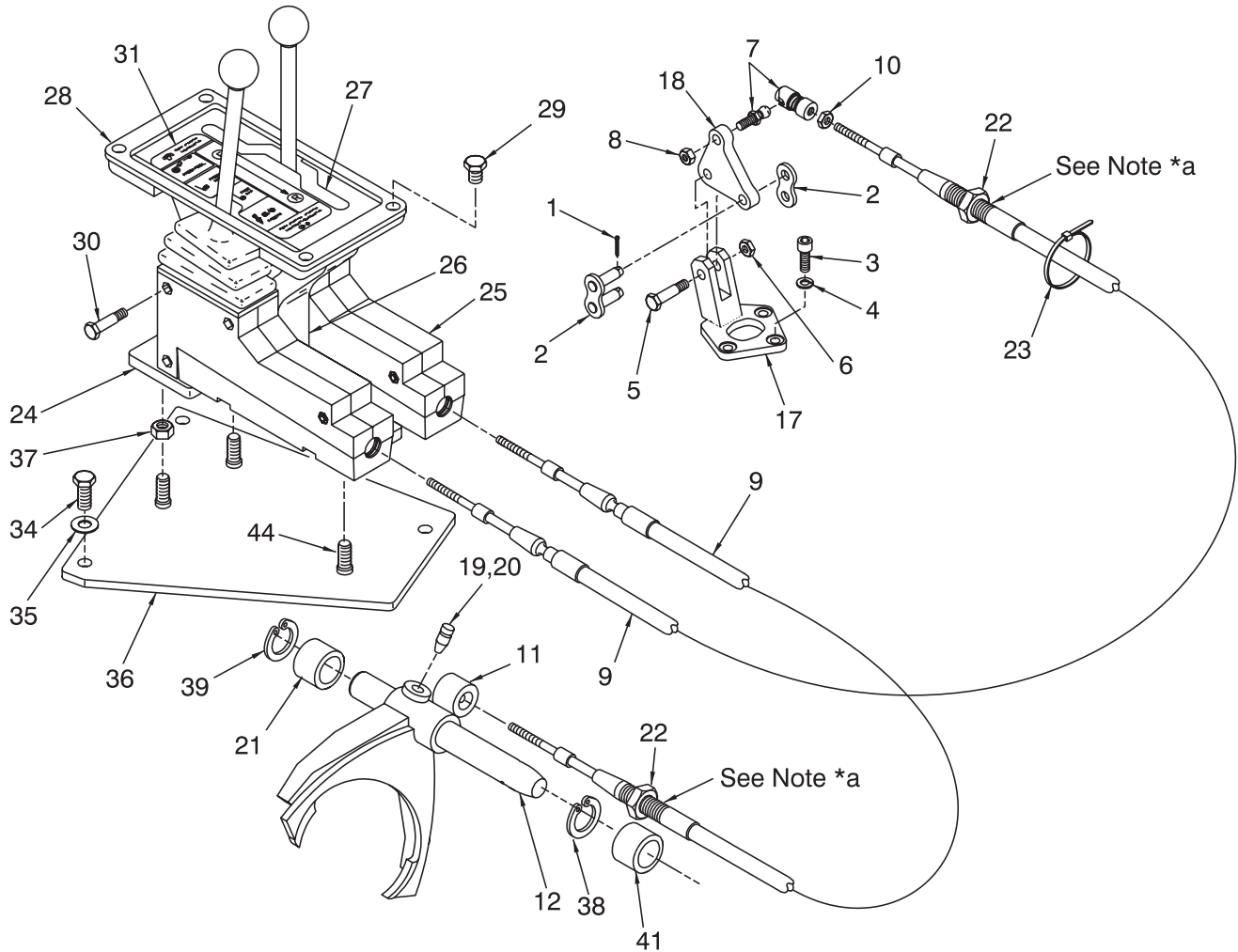
Last Used on S/N AW3C-2502

Page 2 of 2

Item	Part No.	Description	Qty	Item	Part No.	Description	Qty
1	15216W	Pin, Cotter	1	29	18734W	. Screw	4
2	1314564W	Link, Master	1	30	18530W	. Screw	3
3	16334W	Capscrew	4	31	2302316W	. Decal	1
4	18425W	Washer	4	32	18155W	. Washer	6
5	1314759W	Bolt, Shoulder	1	33	145639W	. Nut	3
6	169874W	Nut	1	34	*f, *h 2303188W	Capscrew	3
7	139024W	Joint, Ball	1	35	15134W	Washer	3
8	221342W	Nut	1	36	*f 2301865W	Bracket	1
9	*g 2303401W	Cable	2	37	156133W	Nut	3
10	15004W	Nut	1	38	*e 58933W	Ring, Snap	1
11	2301812W	Fork, Shifter	1	39	*e 2301859W	Ring, Snap	1
	*g 2303099W	Fork, Shifter	1	40	*f, *h 2303121W	Spacer (Not Illustrated)	3
12	*d 2300859W	Shaft	1	41	2301710W	Bushing	1
	*e 2301564W	Shaft	1	42	*a, *b 2303122W	Spacer (Not Illustrated)	4
	*j 2303410W	Shaft	1	43	*a, *b 2303189W	Screw, Flange	4
13	*d 55280W	Ball, Steel	1	44	*a 174413W	Capscrew	3
15	*d 2301104W	Spring	1		2301495W	Screw	3
16	*a, *d 16238W	Screw	1				
17	2300978W	Pivot	1		*a	Use 318702W Thread Lock	
18	2300979W	Crank	1		*d	Last Used on S/N AW3C-1621	
19	27936W	Lockscrew	1		*e	First Used on S/N AW3C-1622	
20	67355W	Lockwire	AR		*f	Used on Caterpillar D3/4/5C (C14) and D3/4/5C Hystat (C16)	
21	*d 2301170W	Bushing	1		*g	First Used on S/N AW3C-2279	
	*e, *j 2301671W	Bushing	1		*h	Used on Optional Raised Lever Installation	
22	15030W	Nut	2		*i	First Used on S/N AW3C-2264 for Caterpillar D3/4/5C Hystat (C16), AW3C-2326 for all other applications	
23	129563W	Clamp	1		*j	Use 318701W Adhesive	
24	*k 2301688W	Assembly, Control Lever	1		*k	Refer to Winch Parts Service Bulletin A3-C-7 R3	
25	*k 1314697W	. Lever, Control (See 3-145)	2				
26	2301665W	. Bracket	1				
27	2301661W	. Gate	1				
28	2301664W	. Cover	1				

Handling Gear - PFR High PTO Input

Caterpillar D3B/C D4B/C D5C PS & DD (C11, C14); D3/4/5/C Hystat (C16);
D4H-DD D4H-PS (C360/361/362); D5M (C30)
First Used on S/N AW3C-2503
Page 1 of 2



Parts Service Gram	
Item	Gram
All	A3-C-7 R3

Handling Gear - PFR**High PTO Input**

Caterpillar D3B/C D4B/C D5C PS & DD (C11, C14); D3/4/5/C Hystat (C16);

D4H-DD D4H-PS (C360/361/362); D5M (C30)

First Used on S/N AW3C-2503

Page 2 of 2

Item	Part No.	Description	Qty	Item	Part No.	Description	Qty
1	15216W	Pin, Cotter	1	27	2301661W	. Gate	1
2	1314564W	Link, Master	1	28	2301664W	. Cover	1
3	16334W	Capscrew	4	29	18374W	. Screw	4
4	18425W	Washer	4	30	2304380W	. Capscrew	6
5	1314759W	Bolt, Shoulder	1	31	2302316W	. Decal	1
6	169874W	Nut	1	34	*a, *b 2303188W	Capscrew	3
7	139024W	Joint, Ball	1	35	15134W	Washer	3
8	221342W	Nut	1	36	*a 2301865W	Bracket	1
9	2303401W	Cable	2	37	156133W	Nut	3
10	15004W	Nut	1	38	58933W	Ring, Snap	1
11	2303099W	Fork, Shifter	1	39	2301859W	Ring, Snap	1
12	2303410W	Shaft	1	40	*a, *b 2303121W	Spacer (Not Illustrated)	3
17	2300978W	Pivot	1	41	2301710W	Bushing	1
18	2300979W	Crank	1	42	*a, *b 2303122W	Spacer (Not Illustrated)	4
19	27936W	Lockscrew	1	43	*a, *b 2303189W	Screw, Flange	4
20	67355W	Lockwire	AR	44	*a 174413W	Capscrew	3
21	*c 2301671W	Bushing	1		2301495W	Screw	3
22	15030W	Nut	2				
23	129563W	Clamp	1		*a	Used on Caterpillar D3/4/5C (C14) and D3/4/5C Hystat (C16)	
24	2304331W	Assembly, Control Lever	1		*b	Used on Optional Raised Lever Installation	
25	2303985W	. Lever, Control (See 3-146)	2		*c	Use 318701W Adhesive	
26	2304384W	. Bracket	1				

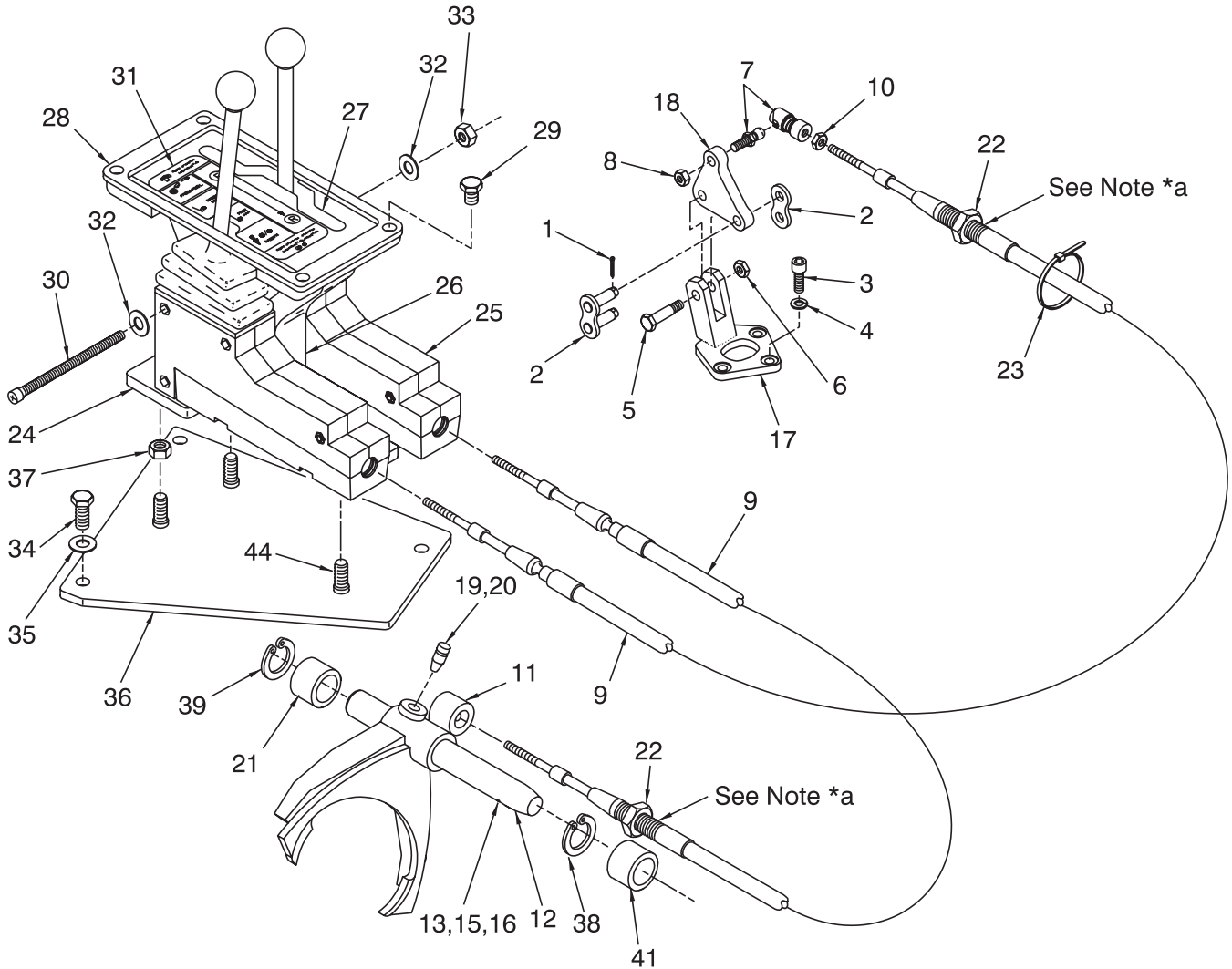
Handling Gear - PFR

High PTO Input

Dresser/Dressta TD7G, TD8G, TD100 & 125E (H12); TD7H, TD8H, TD9H (H13)

Last Used on S/N AW3C-2502

Page 1 of 2



Parts Service Gram	
Item	Gram
All	A3-C-7 R3

Handling Gear - PFR**High PTO Input**

Dresser/Dressta TD7G, TD8G, TD100 & 125E (H12); TD7H, TD8H, TD9H (H13)

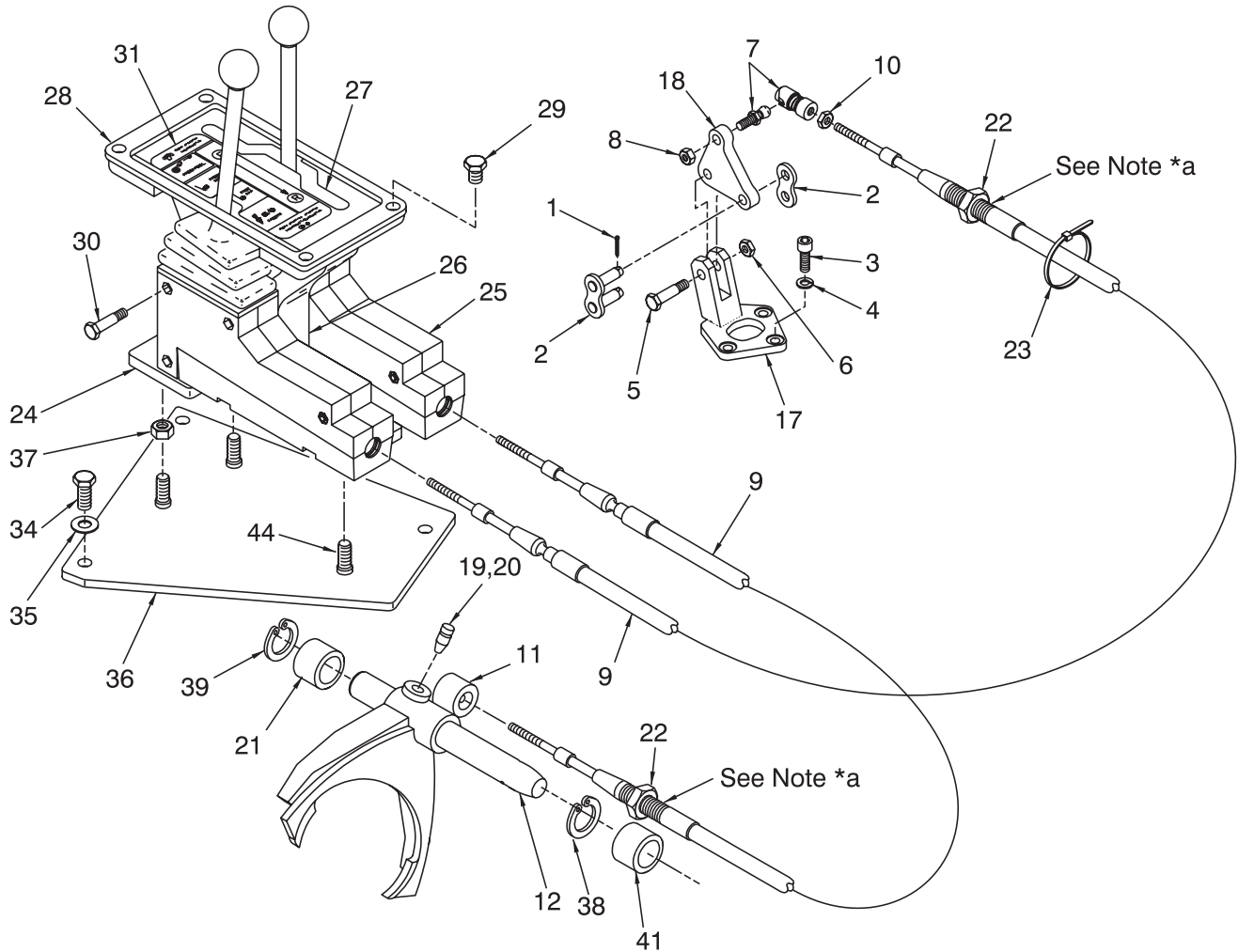
Last Used on S/N AW3C-2502

Page 2 of 2

Item	Part No.	Description	Qty	Item	Part No.	Description	Qty
1	15216W	Pin, Cotter	1	26	2301665W	. Bracket	1
2	1314564W	Link, Master	1	27	2301661W	. Gate	1
3	16334W	Capscrew	4	28	2301664W	. Cover	1
4	18425W	Washer	4	29	18734W	. Screw	4
5	1314759W	Bolt, Shoulder	1	30	18530W	. Screw	3
6	169874W	Nut	1	31	2302316W	. Decal	1
7	139024W	Joint, Ball	1	32	18155W	. Washer	6
8	221342W	Nut	1	33	145639W	. Nut	3
9	*g 2303401W	Cable	2	34	2303188W	Capscrew	3
10	15004W	Nut	1	35	15134W	Washer	3
11	2301812W	Fork, Shifter	1	36	2301865W	Bracket	1
	*g 2303099W	Fork, Shifter	1	37	156133W	Nut	3
12	*d 2300859W	Shaft	1	38	*e 58933W	Ring, Snap	1
	*e 2301564W	Shaft	1	39	*e 2301859W	Ring, Snap	1
	*j 2303410W	Shaft	1	41	2301710W	Bushing	1
13	*d 55280W	Ball, Steel	1	42	*a*b 2303122W	Spacer (Not Illustrated)	4
15	*d 2301104W	Spring	1	43	*a*b 2303189W	Screw, Flange	4
16	*a, *d 16238W	Screw	1	44	*a 174413W	Capscrew	3
17	2300978W	Pivot	1		2301495W	Screw	3
18	2300979W	Crank	1				
19	27936W	Lockscrew	1		*a Use 318702W Thread Lock		
20	67355W	Lockwire	AR		*d Last Used on S/N AW3C-1621		
21	*d 2301170W	Bushing	1		*e First Used on S/N AW3C-1622		
	*e, *j 2301671W	Bushing	1		*g First Used on S/N AW3C-2279		
22	15030W	Nut	2		*h Used on Optional Raised Lever Installation		
23	129563W	Clamp	1		*i First Used on S/N AW3C-2326		
24	*k 2301688W	Assembly, Control Lever	1		*j Use 318701W Adhesive		
25	*k 1314697W	. Lever, Control (See 3-145)	2		*k Refer to Winch Parts Service Bulletin A3-C-7 R3		

Handling Gear - PFR
High PTO Input

Dresser/Dressta TD7G, TD8G, TD100 & 125E (H12); TD7H, TD8H, TD9H (H13)
 First Used on S/N AW3C-2503
 Page 1 of 2



Parts Service Gram	
Item	Gram
All	A3-C-7 R3

Handling Gear - PFR

High PTO Input

Dresser/Dressta TD7G, TD8G, TD100 & 125E (H12); TD7H, TD8H, TD9H (H13)

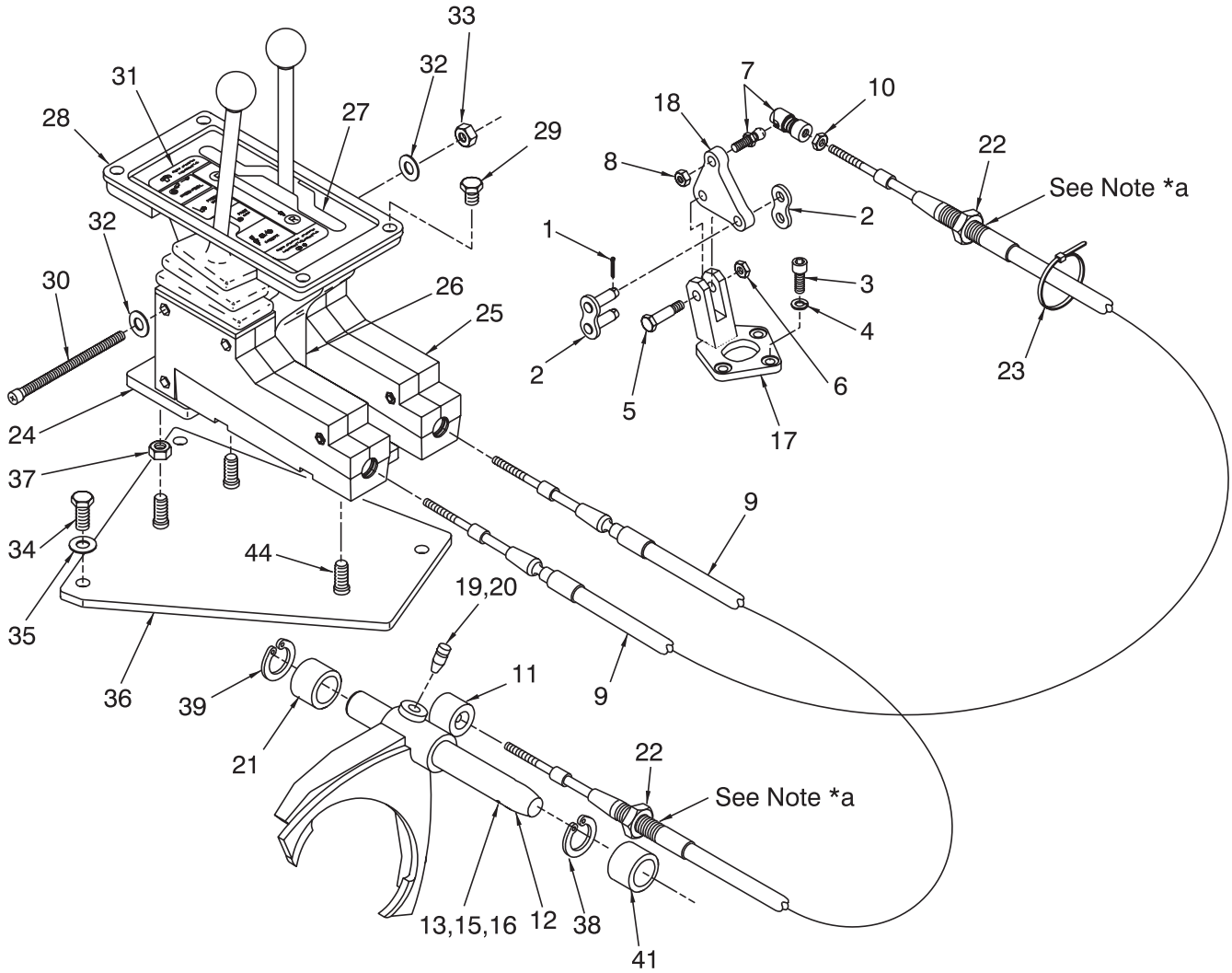
First Used on S/N AW3C-2503

Page 2 of 2

Item	Part No.	Description	Qty	Item	Part No.	Description	Qty
1	15216W	Pin, Cotter	1	27	2301661W	. Gate	1
2	1314564W	Link, Master	1	28	2301664W	. Cover	1
3	16334W	Capscrew	4	29	18374W	. Screw	4
4	18425W	Washer	4	30	2304380W	. Capscrew	6
5	1314759W	Bolt, Shoulder	1	31	2302316W	. Decal	1
6	169874W	Nut	1	34	*b 2303188W	Capscrew	3
7	139024W	Joint, Ball	1	35	15134W	Washer	3
8	221342W	Nut	1	36	2301865W	Bracket	1
9	2303401W	Cable	2	37	156133W	Nut	3
10	15004W	Nut	1	38	58933W	Ring, Snap	1
11	2303099W	Fork, Shifter	1	39	2301859W	Ring, Snap	1
12	2303410W	Shaft	1	40	*b 2303121W	Spacer (Not Illustrated)	3
17	2300978W	Pivot	1	41	2301710W	Bushing	1
18	2300979W	Crank	1	42	*b 2303122W	Spacer (Not Illustrated)	4
19	27936W	Lockscrew	1	43	*b 2303189W	Screw, Flange	4
20	67355W	Lockwire	AR	44	174413W	Capscrew	3
21	*c 2301671W	Bushing	1		2301495W	Screw	3
22	15030W	Nut	2				
23	129563W	Clamp	1				
24	2304331W	Assembly, Control Lever	1		*a Use 318702W Thread Lock		
25	2303985W	. Lever, Control (See 3-146)	2		*b Used on Optional Raised Lever Installation		
26	2304384W	. Bracket	1		*c Use 318701W Adhesive		

Handling Gear - PFR
High PTO Input

Fiat Hitachi/New Holland FD80, DC 70/80/100 (A16)
 Last Used on S/N AW3C-2502
 Page 1 of 2



Parts Service Gram	
Item	Gram
All	A3-C-7 R3

Handling Gear - PFR**High PTO Input**

Fiat Hitachi/New Holland FD80, DC 70/80/100 (A16)

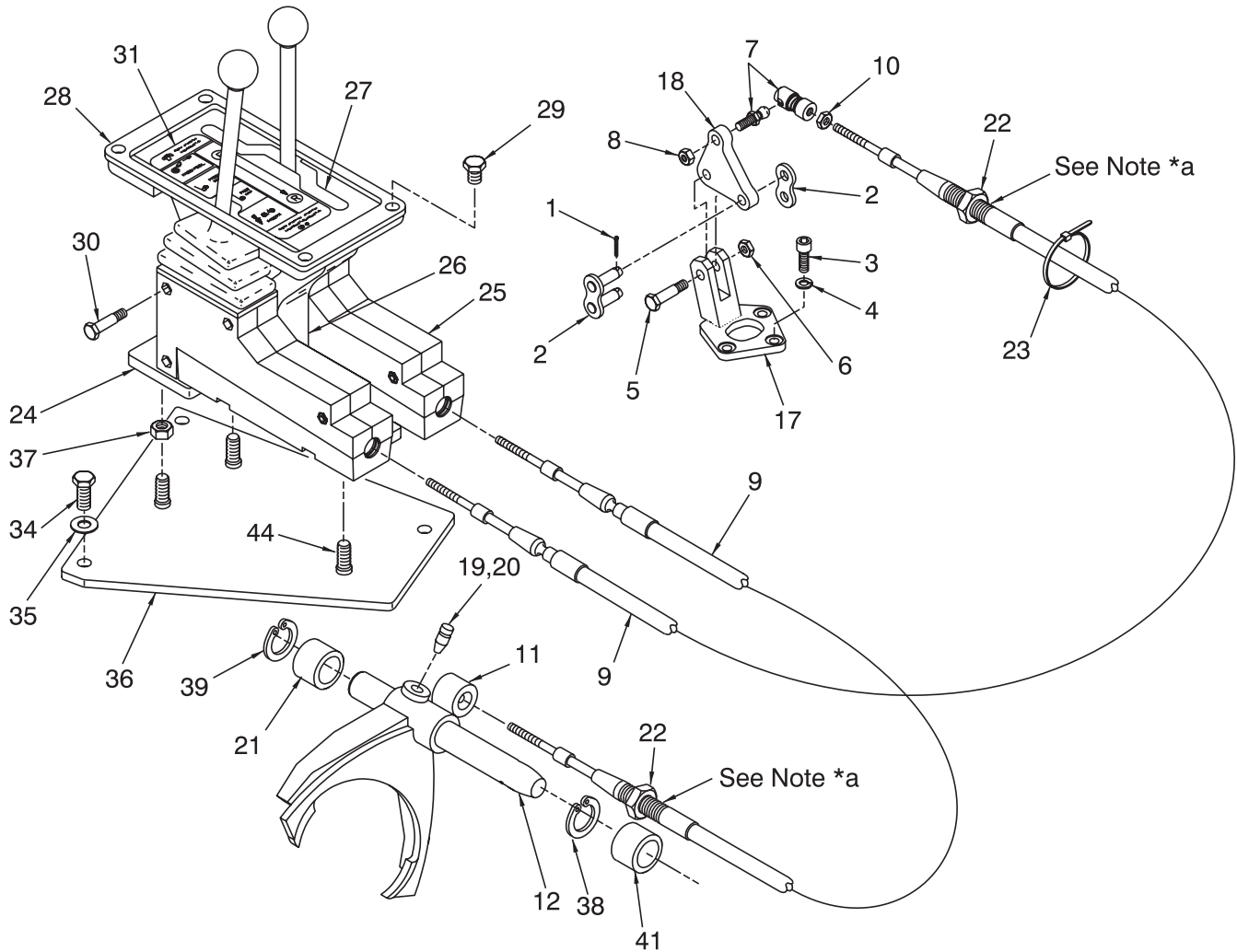
Last Used on S/N AW3C-2502

Page 2 of 2

Item	Part No.	Description	Qty	Item	Part No.	Description	Qty
1	15216W	Pin, Cotter	1	27	2301661W	. Gate	1
2	1314564W	Link, Master	1	28	2301664W	. Cover	1
3	16334W	Capscrew	4	29	18734W	. Screw	4
4	18425W	Washer	4	30	18530W	. Screw	3
5	1314759W	Bolt, Shoulder	1	31	2302316W	. Decal	1
6	169874W	Nut	1	32	18155W	. Washer	6
7	139024W	Joint, Ball	1	33	145639W	. Nut	3
8	221342W	Nut	1	34	*h 2303188W	Capscrew	3
9	*g 2303401W	Cable	2	35	15134W	Washer	3
10	15004W	Nut	1	36	2301865W	Bracket	1
11	2301812W	Fork, Shifter	1	37	156133W	Nut	3
	*g 2303099W	Fork, Shifter	1	38	*e 58933W	Ring, Snap	1
12	*d 2300859W	Shaft	1	39	*e 2301859W	Ring, Snap	1
	*e 2301564W	Shaft	1	40	*h 2303121W	Spacer (Not Illustrated)	3
	*j 2303410W	Shaft	1	41	2301710W	Bushing	1
13	*d 55280W	Ball, Steel	1	42	*a, *b 2303122W	Spacer (Not Illustrated)	4
15	*d 2301104W	Spring	1	43	*a, *b 2303189W	Screw, Flange	4
16	*a, *d 16238W	Screw	1	44	*a 174413W	Capscrew	3
17	2300978W	Pivot	1		2301495W	Screw	3
18	2300979W	Crank	1				
19	27936W	Lockscrew	1		*a	Use 318702W Thread Lock	
20	67355W	Lockwire	AR		*d	Last Used on S/N AW3C-1621	
21	*d 2301170W	Bushing	1		*e	First Used on S/N AW3C-1622	
	*e, *j 2301671W	Bushing	1		*g	First Used on S/N AW3C-2279	
22	15030W	Nut	2		*h	Used on Optional Raised Lever Installation	
23	129563W	Clamp	1		*i	First Used on S/N AW3C-2326	
24	*k 2301688W	Assembly, Control Lever	1		*j	Use 318701W Adhesive	
25	*k 1314697W	. Lever, Control (See 3-145)	2		*k	Refer to Winch Parts Service Bulletin A3-C-7 R3	
26	2301665W	. Bracket	1				

Handling Gear - PFR
High PTO Input

Fiat Hitachi/New Holland FD80, DC 70/80/100 (A16)
 First Used on S/N AW3C-2503
 Page 1 of 2



Parts Service Gram	
Item	Gram
All	A3-C-7 R3

Handling Gear - PFR

High PTO Input

Fiat Hitachi/New Holland FD80, DC 70/80/100 (A16)

First Used on S/N AW3C-2503

Page 2 of 2

Item	Part No.	Description	Qty	Item	Part No.	Description	Qty
1	15216W	Pin, Cotter	1	27	2301661W	. Gate	1
2	1314564W	Link, Master	1	28	2301664W	. Cover	1
3	16334W	Capscrew	4	29	18374W	. Screw	4
4	18425W	Washer	4	30	2304380W	. Capscrew	6
5	1314759W	Bolt, Shoulder	1	31	2302316W	. Decal	1
6	169874W	Nut	1	34	*b 2303188W	Capscrew	3
7	139024W	Joint, Ball	1	35	15134W	Washer	3
8	221342W	Nut	1	36	2301865W	Bracket	1
9	2303401W	Cable	2	37	156133W	Nut	3
10	15004W	Nut	1	38	58933W	Ring, Snap	1
11	2303099W	Fork, Shifter	1	39	2301859W	Ring, Snap	1
12	2303410W	Shaft	1	40	*b 2303121W	Spacer (Not Illustrated)	3
17	2300978W	Pivot	1	41	2301710W	Bushing	1
18	2300979W	Crank	1	42	*b 2303122W	Spacer (Not Illustrated)	4
19	27936W	Lockscrew	1	43	*b 2303189W	Screw, Flange	4
20	67355W	Lockwire	AR	44	174413W	Capscrew	3
21	*c 2301671W	Bushing	1		2301495W	Screw	3
22	15030W	Nut	2				
23	129563W	Clamp	1				
24	2304331W	Assembly, Control Lever	1		*a Use 318702W Thread Lock		
25	2303985W	. Lever, Control (See 3-146)	2		*b Used on Optional Raised Lever Installation		
26	2304384W	. Bracket	1		*c Use 318701W Adhesive		

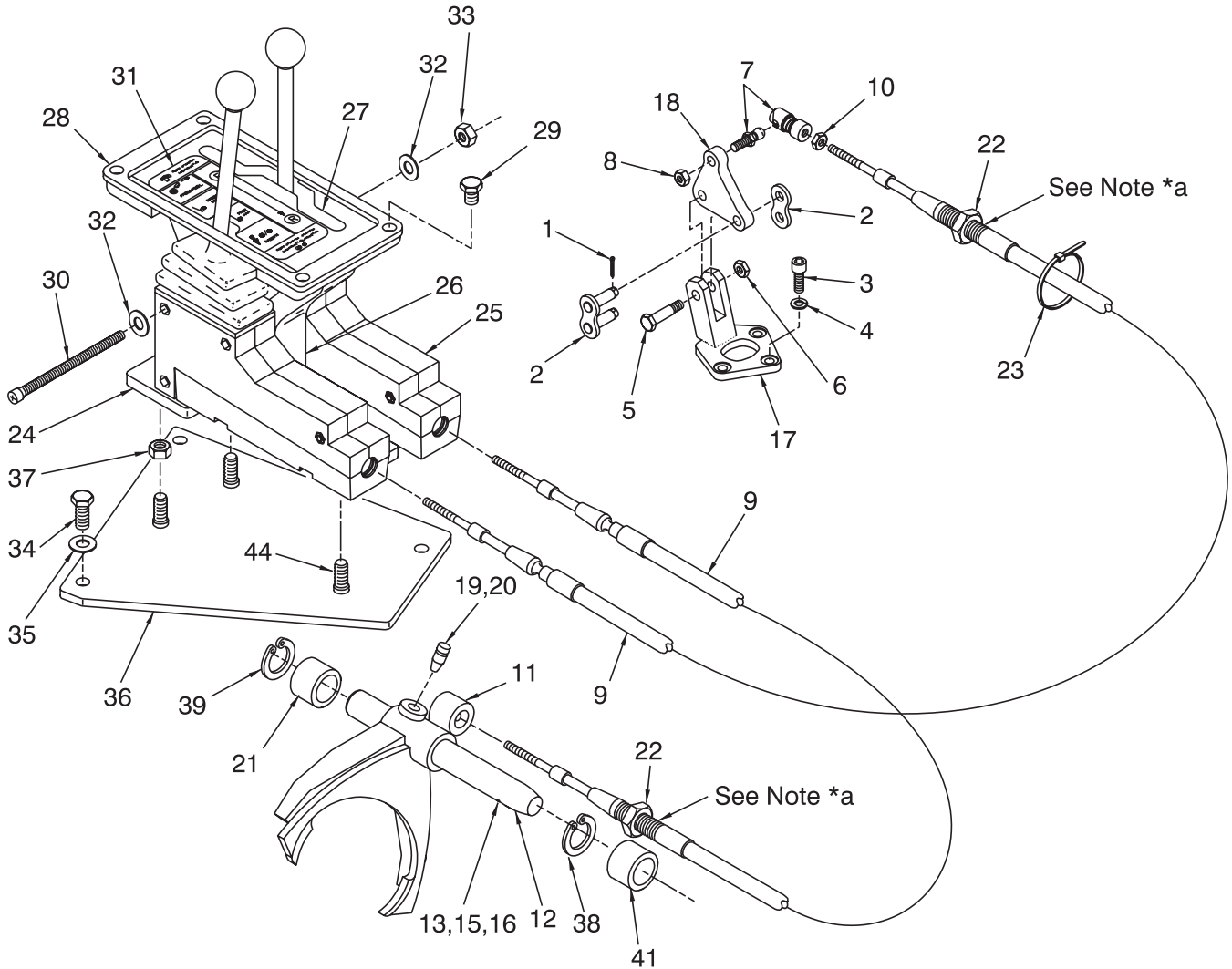
Handling Gear - PFR

High PTO Input

John Deere 450G-650G (E12)

Last Used on S/N AW3C-2502

Page 1 of 2



Parts Service Gram	
Item	Gram
All	A3-C-7 R3

Handling Gear - PFR**High PTO Input**

John Deere 450G-650G (E12)

Last Used on S/N AW3C-2502

Page 2 of 2

Item	Part No.	Description	Qty	Item	Part No.	Description	Qty
1	15216W	Pin, Cotter	1	26	2301665W	. Bracket	1
2	1314564W	Link, Master	1	27	2301661W	. Gate	1
3	16334W	Capscrew	4	28	2301664W	. Cover	1
4	18425W	Washer	4	29	18734W	. Screw	4
5	1314759W	Bolt, Shoulder	1	30	18530W	. Screw	3
6	169874W	Nut	1	31	2302316W	. Decal	1
7	139024W	Joint, Ball	1	32	18155W	. Washer	6
8	221342W	Nut	1	33	145639W	. Nut	3
9	*g 2303401W	Cable	2	34	*h 2303188W	Capscrew	3
10	15004W	Nut	1	35	15134W	Washer	3
11	2301812W	Fork, Shifter	1	36	2301865W	Bracket	1
	*g 2303099W	Fork, Shifter	1	37	156133W	Nut	3
12	*d 2300859W	Shaft	1	38	*e 58933W	Ring, Snap	1
	*e 2301564W	Shaft	1	39	*e 2301859W	Ring, Snap	1
	*j 2303410W	Shaft	1	41	2301710W	Bushing	1
13	*d 55280W	Ball, Steel	1	42	*a, *b 2303122W	Spacer (Not Illustrated)	4
15	*d 2301104W	Spring	1	43	*a, *b 2303189W	Screw, Flange	4
16	*a, *d 16238W	Screw	1	44	*a 174413W	Capscrew	3
17	2300978W	Pivot	1		2301495W	Screw	3
18	2300979W	Crank	1				
19	27936W	Lockscrew	1		*a	Use 318702W Thread Lock	
20	67355W	Lockwire	AR		*d	Last Used on S/N AW3C-1621	
21	*d 2301170W	Bushing	1		*e	First Used on S/N AW3C-1622	
	*e, *j 2301671W	Bushing	1		*g	First Used on S/N AW3C-2279	
22	15030W	Nut	2		*h	Used on Optional Raised Lever Installation	
23	129563W	Clamp	1		*i	First Used on S/N AW3C-2326	
24	*k 2301688W	Assembly, Control Lever	1		*j	Use 318701W Adhesive	
25	*k 1314697W	. Lever, Control (See 3-145)	2		*k	Refer to Winch Parts Service Bulletin A3-C-7 R3	

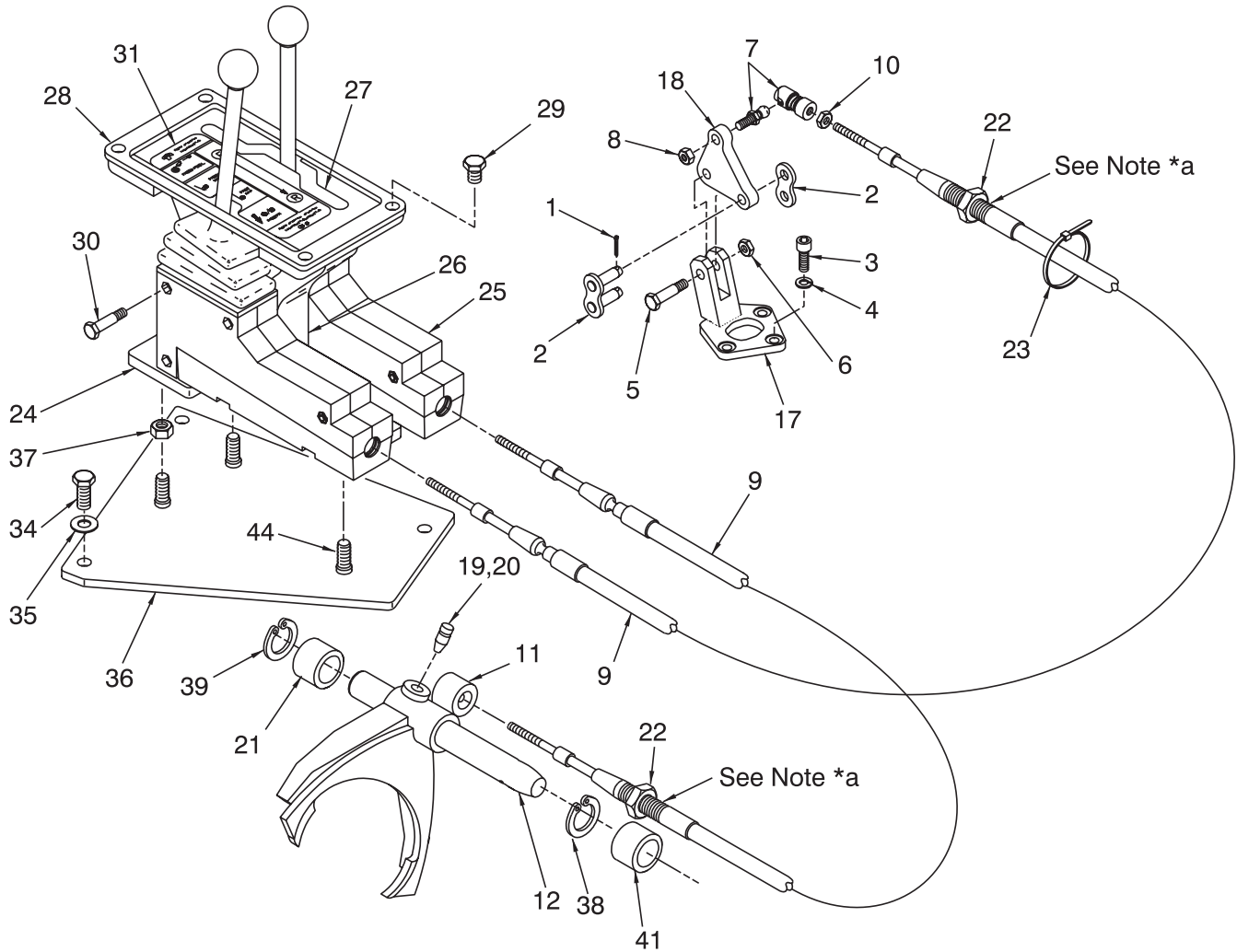
Handling Gear - PFR

High PTO Input

John Deere 450G-650G (E12)

First Used on S/N AW3C-2503

Page 1 of 2



Parts Service Gram	
Item	Gram
All	A3-C-7 R3

Handling Gear - PFR

High PTO Input

John Deere 450G-650G (E12)

First Used on S/N AW3C-2503

Page 2 of 2

Item	Part No.	Description	Qty	Item	Part No.	Description	Qty
1	15216W	Pin, Cotter	1	27	2301661W	. Gate	1
2	1314564W	Link, Master	1	28	2301664W	. Cover	1
3	16334W	Capscrew	4	29	18374W	. Screw	4
4	18425W	Washer	4	30	2304380W	. Capscrew	6
5	1314759W	Bolt, Shoulder	1	31	2302316W	. Decal	1
6	169874W	Nut	1	34	*b 2303188W	Capscrew	3
7	139024W	Joint, Ball	1	35	15134W	Washer	3
8	221342W	Nut	1	36	2301865W	Bracket	1
9	2303401W	Cable	2	37	156133W	Nut	3
10	15004W	Nut	1	38	58933W	Ring, Snap	1
11	2303099W	Fork, Shifter	1	39	2301859W	Ring, Snap	1
12	2303410W	Shaft	1	40	*b 2303121W	Spacer (Not Illustrated)	3
17	2300978W	Pivot	1	41	2301710W	Bushing	1
18	2300979W	Crank	1	42	*b 2303122W	Spacer (Not Illustrated)	4
19	27936W	Lockscrew	1	43	*b 2303189W	Screw, Flange	4
20	67355W	Lockwire	AR	44	174413W	Capscrew	3
21	*c 2301671W	Bushing	1		2301495W	Screw	3
22	15030W	Nut	2				
23	129563W	Clamp	1				
24	2304331W	Assembly, Control Lever	1		*a	Use 318702W Thread Lock	
25	2303985W	. Lever, Control (See 3-146)	2		*b	Used on Optional Raised Lever Installation	
26	2304384W	. Bracket	1		*c	Use 318701W Adhesive	

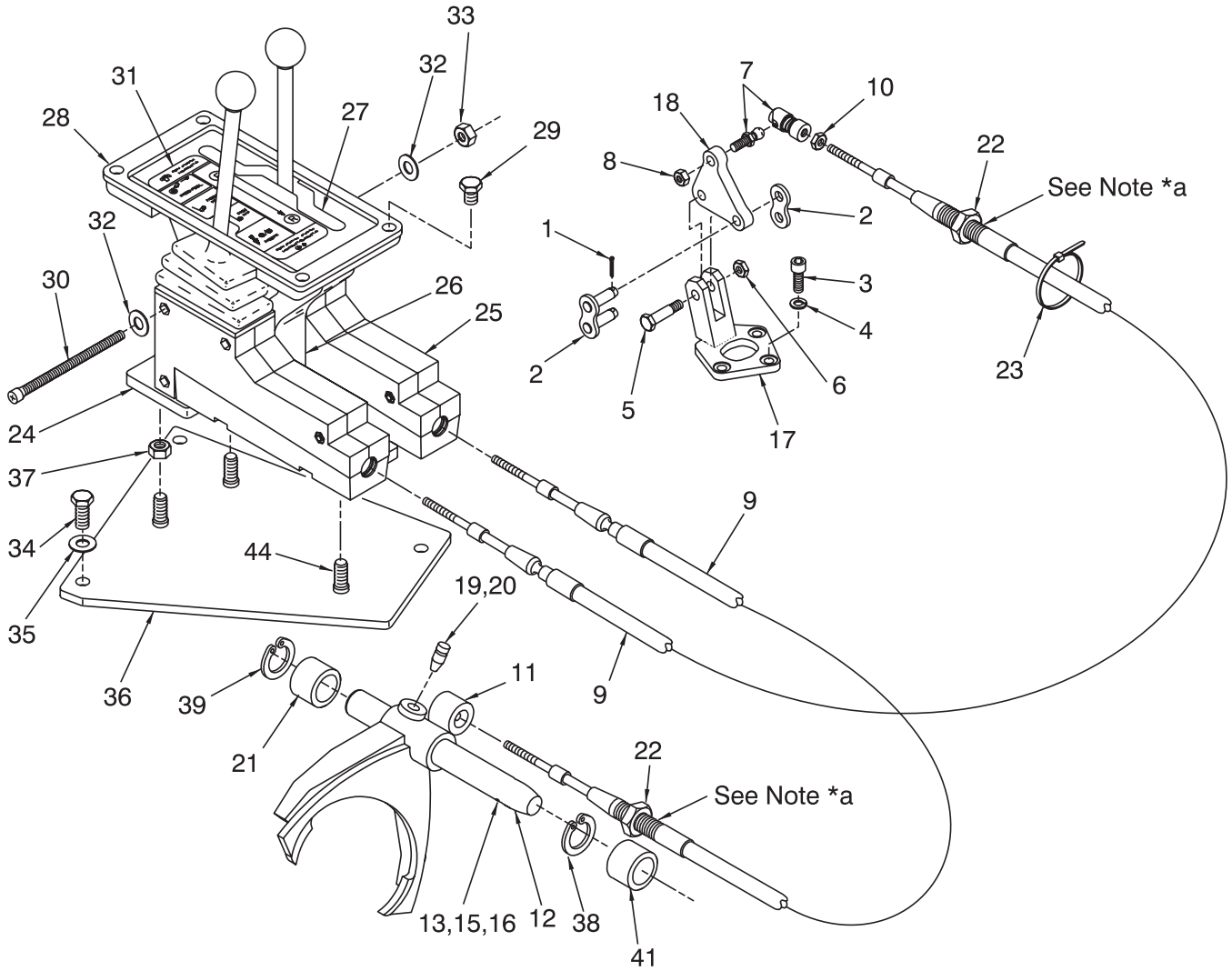
Handling Gear - PFR

High PTO Input

Komatsu D31, D37 (K11)

Last Used on S/N AW3C-2502

Page 1 of 2



Parts Service Gram	
Item	Gram
All	A3-C-7 R3

Handling Gear - PFR**High PTO Input**

Komatsu D31, D37 (K11)

Last Used on S/N AW3C-2502

Page 2 of 2

Item	Part No.	Description	Qty	Item	Part No.	Description	Qty
1	15216W	Pin, Cotter	1	25	*k 1314697W	. Lever, Control (See 3-145)	2
2	1314564W	Link, Master	1	26	2301665W	. Bracket	1
3	16334W	Capscrew	4	27	2301661W	. Gate	1
4	18425W	Washer	4	28	2301664W	. Cover	1
5	1314759W	Bolt, Shoulder	1	29	18734W	. Screw	4
6	169874W	Nut	1	30	18530W	. Screw	3
7	139024W	Joint, Ball	1	31	2302316W	. Decal	1
8	221342W	Nut	1	32	18155W	. Washer	6
9	*g 2303401W	Cable	2	33	145639W	. Nut	3
10	15004W	Nut	1	34	*h 2303188W	Capscrew	3
11	2301812W	Fork, Shifter	1	35	15134W	Washer	3
	*g 2303099W	Fork, Shifter	1	36	2301865W	Bracket	1
12	*d 2300859W	Shaft	1	37	156133W	Nut	3
	*e 2301564W	Shaft	1	38	*e 58933W	Ring, Snap	1
	*j 2303410W	Shaft	1	39	*e 2301859W	Ring, Snap	1
13	*d 55280W	Ball, Steel	1	41	2301710W	Bushing	1
15	*d 2301104W	Spring	1	44	174413W	Capscrew	3
16	*a*d 16238W	Screw	1		2301495W	Screw	3
17	2300978W	Pivot	1				
18	2300979W	Crank	1		*a Use 318702W Thread Lock		
19	27936W	Lockscrew	1		*d Last Used on S/N AW3C-1621		
20	67355W	Lockwire	AR		*e First Used on S/N AW3C-1622		
21	*d 2301170W	Bushing	1		*g First Used on S/N AW3C-2279		
	*e*j 2301671W	Bushing	1		*h Used on Optional Raised Lever Installation		
22	15030W	Nut	2		*i First Used on S/N AW3C-2326		
23	129563W	Clamp	1		*j Use 318701W Adhesive		
24	*k 2301688W	Assembly, Control Lever	1		*k Refer to Winch Parts Service Bulletin A3-C-7 R3		

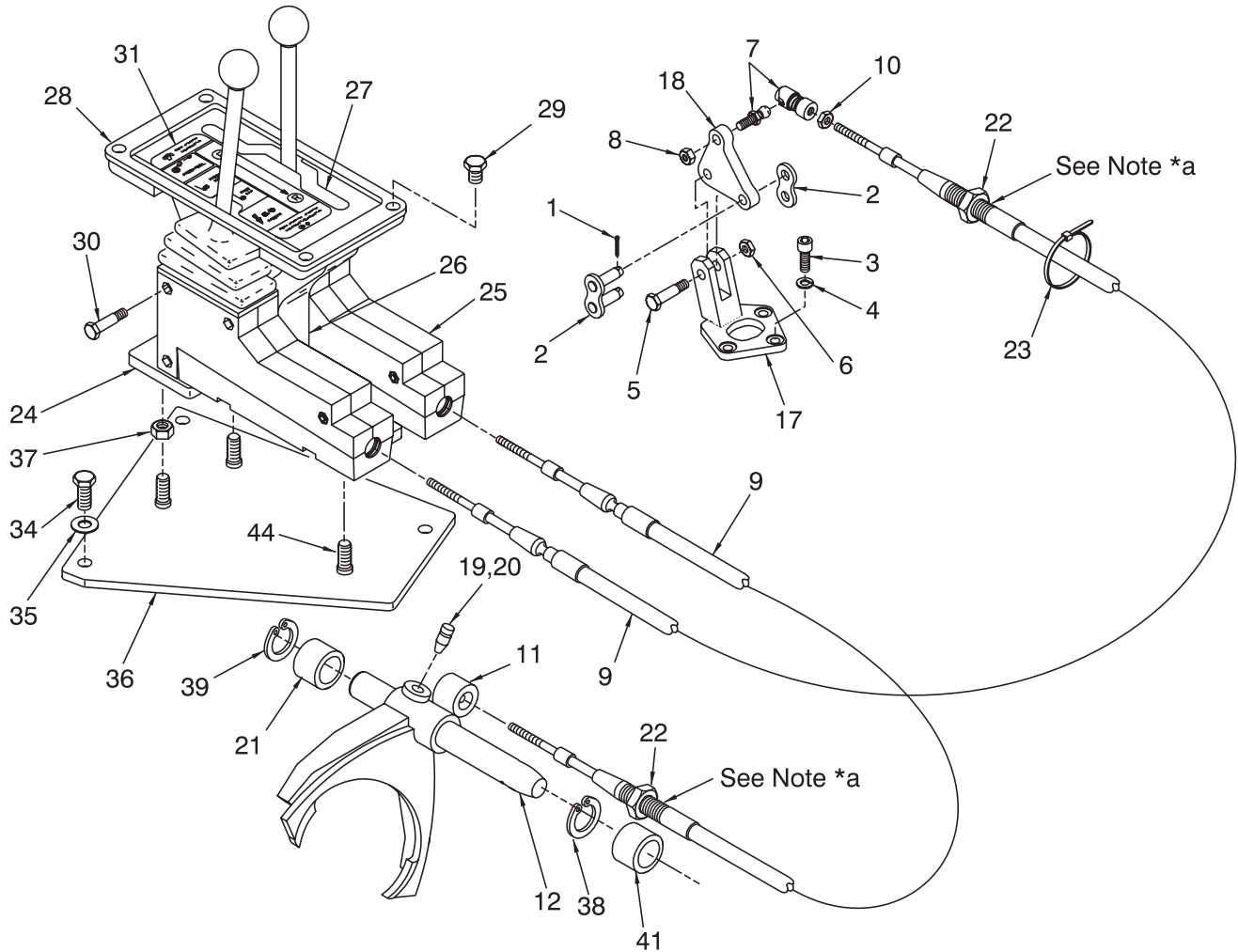
Handling Gear - PFR

High PTO Input

Komatsu D31, D37 (K11)

First Used on S/N AW3C-2503

Page 1 of 2



Parts Service Gram	
Item	Gram
All	A3-C-7 R3

Handling Gear - PFR

High PTO Input

Komatsu D31, D37 (K11)

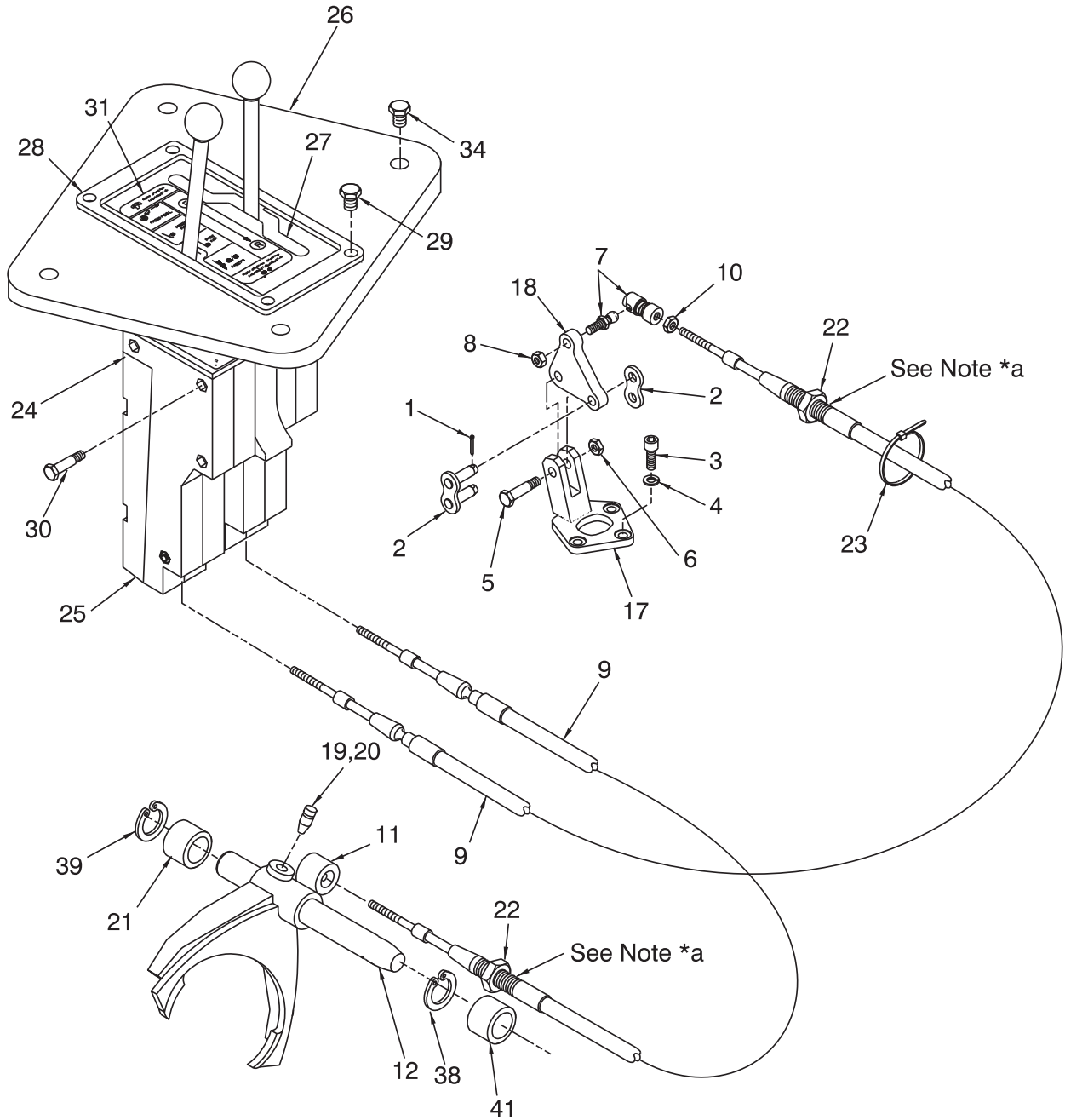
First Used on S/N AW3C-2503

Page 2 of 2

Item	Part No.	Description	Qty	Item	Part No.	Description	Qty
1	15216W	Pin, Cotter	1	27	2301661W	. Gate	1
2	1314564W	Link, Master	1	28	2301664W	. Cover	1
3	16334W	Capscrew	4	29	18374W	. Screw	4
4	18425W	Washer	4	30	2304380W	. Capscrew	6
5	1314759W	Bolt, Shoulder	1	31	2302316W	. Decal	1
6	169874W	Nut	1	34	*b 2303188W	Capscrew	3
7	139024W	Joint, Ball	1	35	15134W	Washer	3
8	221342W	Nut	1	36	2301865W	Bracket	1
9	2303401W	Cable	2	37	156133W	Nut	3
10	15004W	Nut	1	38	58933W	Ring, Snap	1
11	2303099W	Fork, Shifter	1	39	2301859W	Ring, Snap	1
12	2303410W	Shaft	1	40	*b 2303121W	Spacer (Not Illustrated)	3
17	2300978W	Pivot	1	41	2301710W	Bushing	1
18	2300979W	Crank	1	42	*b 2303122W	Spacer (Not Illustrated)	4
19	27936W	Lockscrew	1	43	*b 2303189W	Screw, Flange	4
20	67355W	Lockwire	AR	44	174413W	Capscrew	3
21	*c 2301671W	Bushing	1		2301495W	Screw	3
22	15030W	Nut	2				
23	129563W	Clamp	1		*a	Use 318702W Thread Lock	
24	2304331W	Assembly, Control Lever	1		*b	Used on Optional Raised Lever Installation	
25	2303985W	. Lever, Control (See 3-146)	2		*c	Use 318701W Adhesive	
26	2304384W	. Bracket	1				

Handling Gear - PFR
High PTO Input

Komatsu D31/D37/D39 EX-21, KomStat (K12)
 Page 1 of 2



Handling Gear - PFR**High PTO Input**

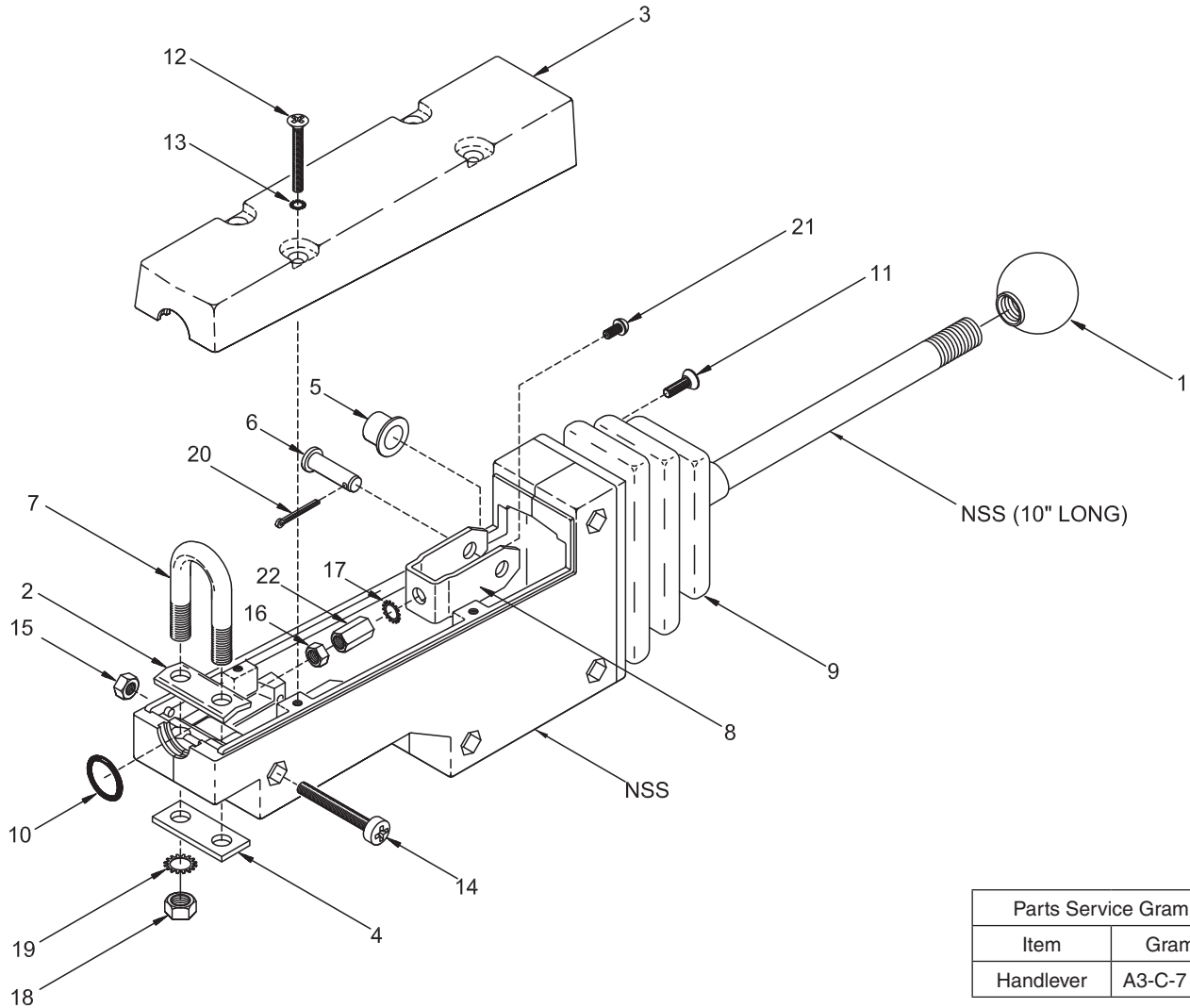
Komatsu D31/D37/D39 EX-21, KomStat (K12)

Page 2 of 2

Item	Part No.	Description	Qty	Item	Part No.	Description	Qty
1	15216W	Pin, Cotter	1	23	129563W	Clamp	1
2	1314564W	Link, Master	1	24	2305034W	Assembly, Control Lever	1
3	16334W	Capscrew	4	25	2303982W	. Lever, Control (See 3-144)	2
4	18425W	Washer	4	26	2305033W	. Bracket	1
5	1314759W	Bolt, Shoulder	1	27	2301661W	. Gate	1
6	169874W	Nut	1	28	2301664W	. Cover	1
7	139024W	Joint, Ball	1	29	18734W	. Capscrew	4
8	221342W	Nut	1	30	2304380W	. Capscrew	6
9	2303401W	Cable	2	31	2302316W	. Decal	1
10	15004W	Nut	1	34	296168W	Capscrew	3
11	2303099W	Fork, Shifter	1	35	15134W	Washer	3
12	2303410W	Shaft	1	37	156133W	Nut	3
17	2300978W	Pivot	1	38	58933W	Ring, Snap	1
18	2300979W	Crank	1	39	2301859W	Ring, Snap	1
19	27936W	Lockscrew	1	41	2301170W	Bushing	1
20	67355W	Lockwire	AR				
21	*c 2301671W	Bushing	1		*c Use 318701W Adhesive		
22	15030W	Nut	2				

Control Lever Assembly

Last Used on S/N AW3C-2431

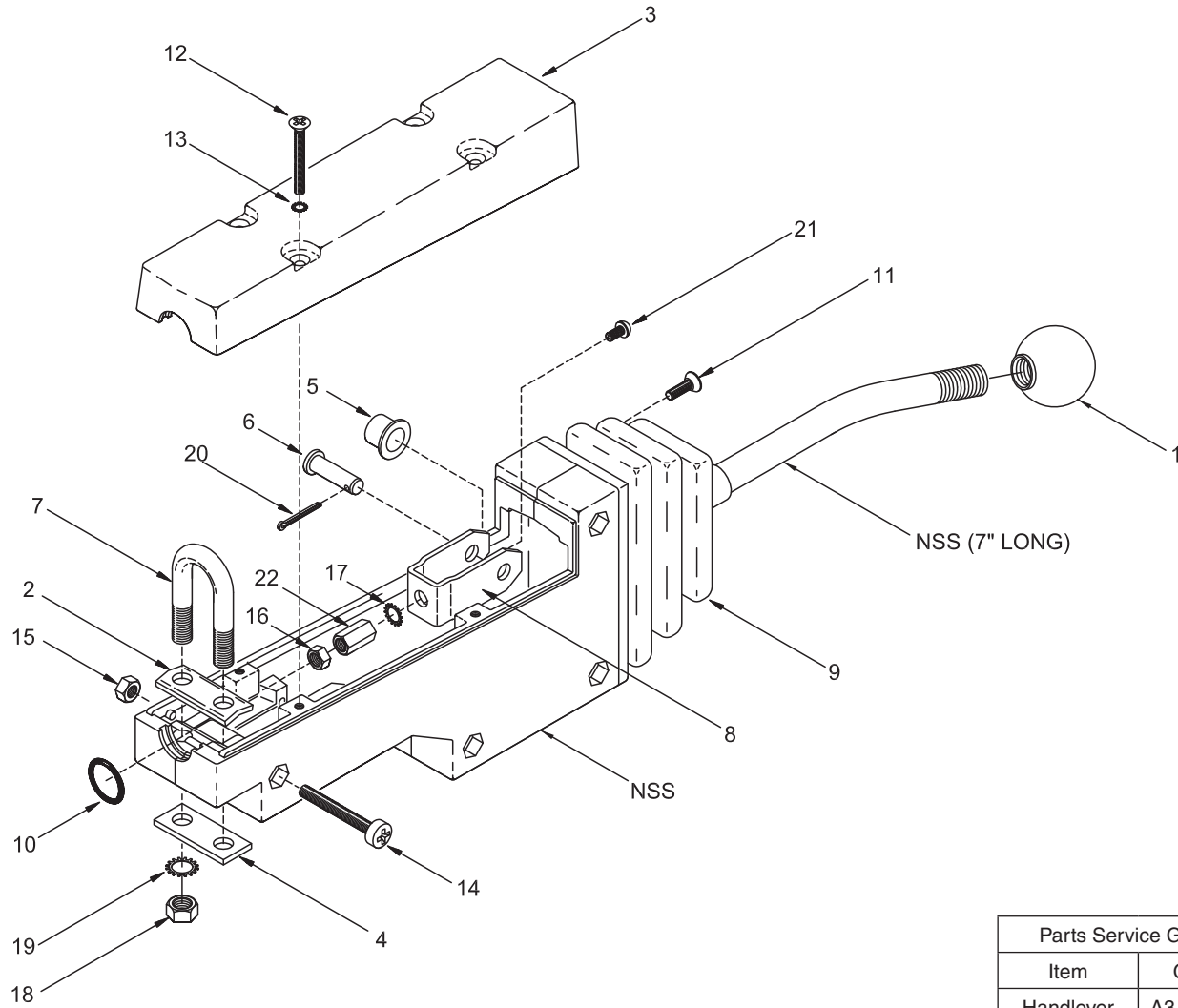


Parts Service Gram	
Item	Gram
Handler	A3-C-7 R3

Item	Part No.	Description	Qty	Item	Part No.	Description	Qty
	1300785W	Lever, Control	1	12	1306002W	. Screw	4
1	1302049W	. Knob	1	13	221867W	. Lockwasher, Star	4
2	1302048W	. Clamp, Cable	1	14	1306001W	. Screw	1
3	1302047W	. Cover	1	15	15024W	. Nut	1
4	1302046W	. Clamp, Base	1	16	15004W	. Nut	1
5	1302045W	. Bearing	2	17	15923W	. Washer	1
6	1302044W	. Pin, Clevis	1	18	15005W	. Nut	2
7	1302043W	. U-Bolt	1	19	15932W	. Lockwasher	2
8	1302042W	. Clevis	1	20	1302039W	. Pin	1
9	1302041W	. Boot	1	21	18717W	Capscrow, Button Head	1
10	1302040W	. O-Ring	1	22	383881W	Nut, Tall	1
11	1306003W	. Screw	4				

Control Lever Assembly

Last Used on S/N AW3C-2476

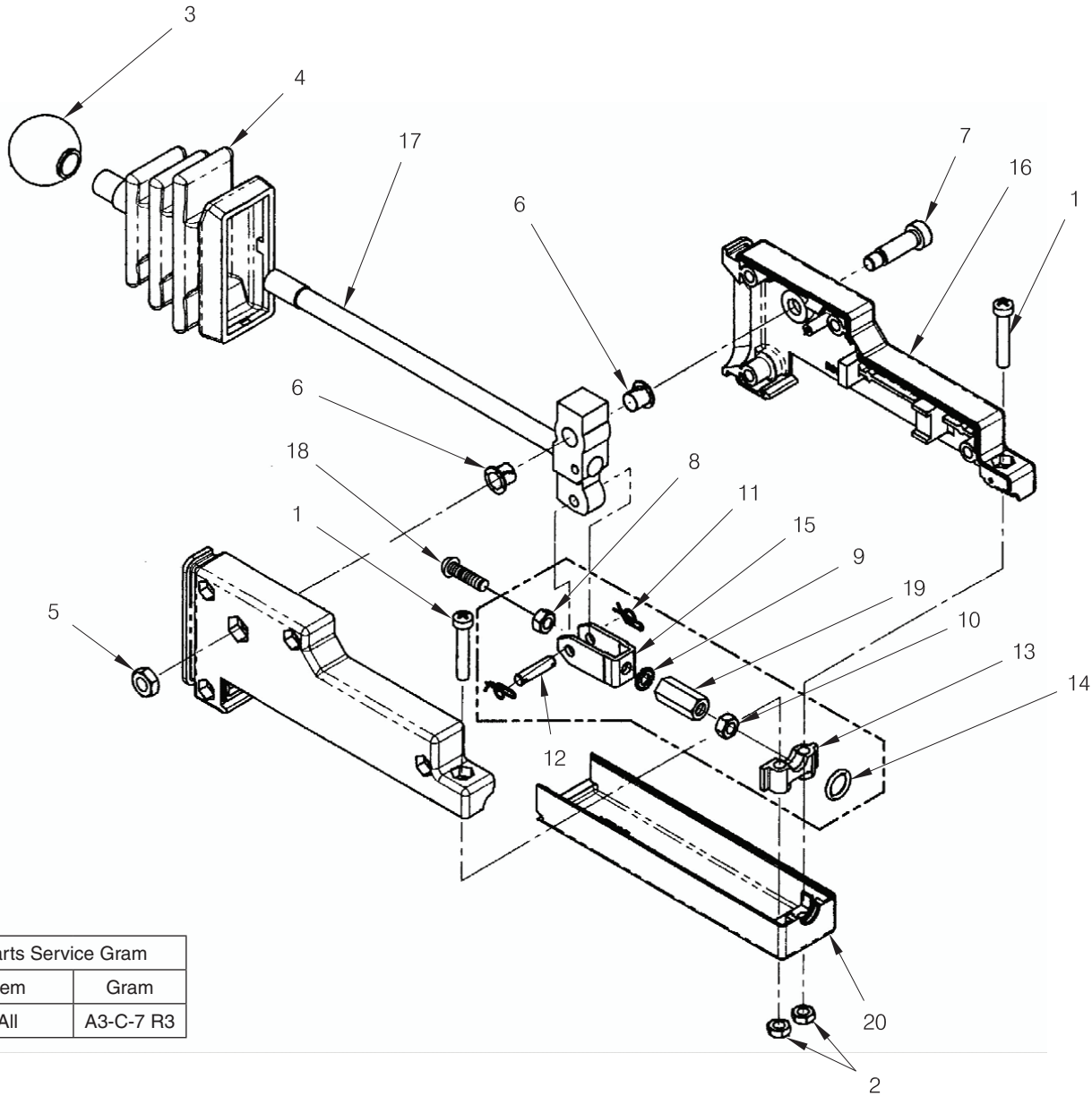


Parts Service Gram	
Item	Gram
Handlever	A3-C-7 R3

Item	Part No.	Description	Qty	Item	Part No.	Description	Qty
	383880W	Lever, Control	1	12	1306002W	. Screw	4
1	1302049W	. Knob	1	13	221867W	. Lockwasher, Star	4
2	1302048W	. Clamp, Cable	1	14	1306001W	. Screw	1
3	1302047W	. Cover	1	15	15024W	. Nut	1
4	1302046W	. Clamp, Base	1	16	15004W	. Nut	1
5	1302045W	. Bearing	2	17	15923W	. Washer	1
6	1302044W	. Pin, Clevis	1	18	15005W	. Nut	2
7	1302043W	. U-Bolt	1	19	15932W	. Lockwasher	2
8	1302042W	. Clevis	1	20	1302039W	. Pin	1
9	1302041W	. Boot	1	21	18717W	Cap screw, Button Head	1
10	1302040W	. O-Ring	1	22	383881W	Nut, Tall	1
11	1306003W	. Screw	4				

Control Lever Assembly

First Used on S/N AW3C-2477

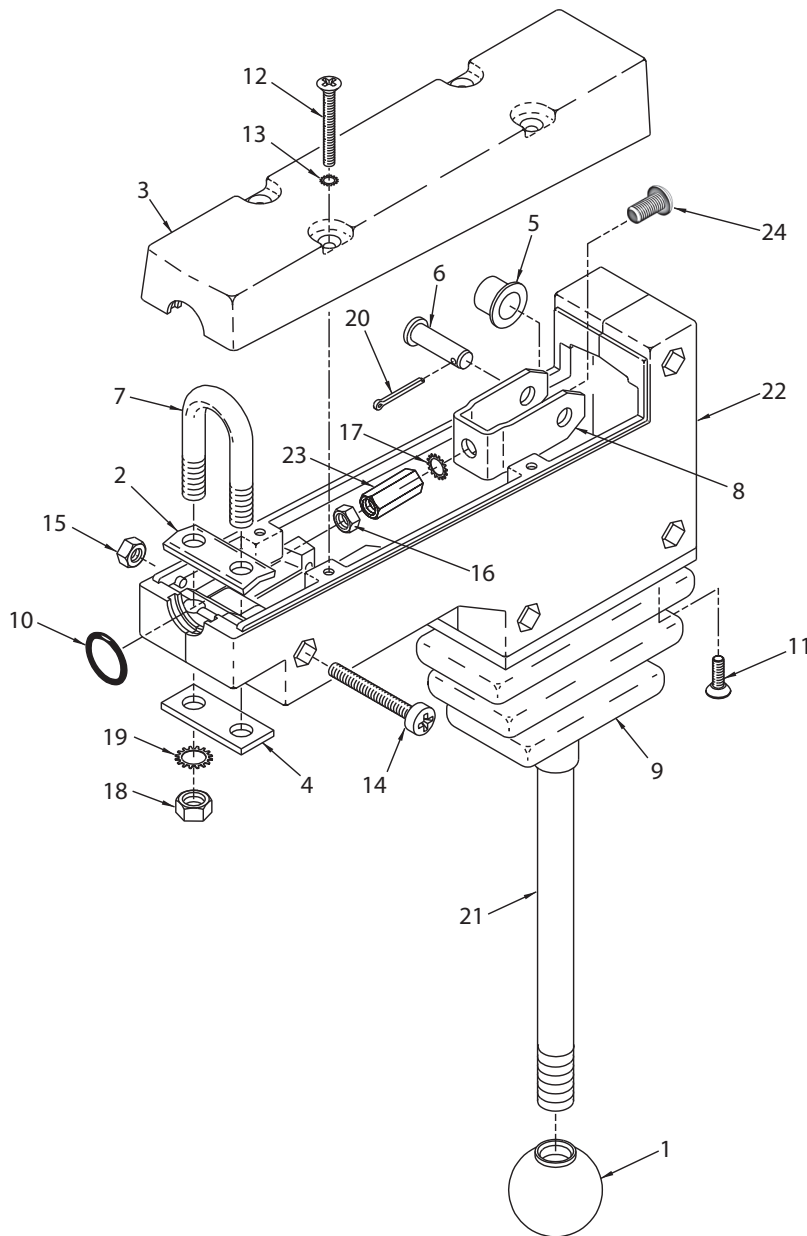


Parts Service Gram	
Item	Gram
All	A3-C-7 R3

Item	Part No.	Description	Qty	Item	Part No.	Description	Qty
	2303982W	Lever, Control	1				
	2303984W	Lever, Control	1				
1	*a -----	. Screw	2	13	*b -----	. Adapter, Cable	1
2	*a -----	. Nut	2	14	*b -----	. O-Ring	1
3	2304339W	. Knob	1	15	*b -----	. Clevis	1
4	2304340W	. Boot	1	16	NSS	. Cover	1
5	2304341W	. Nut, Jam	1	17	NSS	. Lever	1
6	2304342W	. Bearing, Plastic	2	18	*c 18717W	Capscrew, Button-Head	1
7	2304343W	. Screw, Shoulder	1	19	383881W	Nut, Tall	1
8	*b -----	. Nut	1	20	2304604W	Cover	1
9	*b -----	. Washer, Star	1				
10	*b -----	. Nut	1				
11	*b -----	. Pin, Cotter	2				
12	*b -----	. Pin	1				
					*a	Included in 2304338W Hardware Kit	
					*b	Included in 2305023W Cable Attaching Hardware Kit	
					*c	Use 318702W Thread Lock	

Control Lever Assembly

Last Used on S/N AW3C-2502

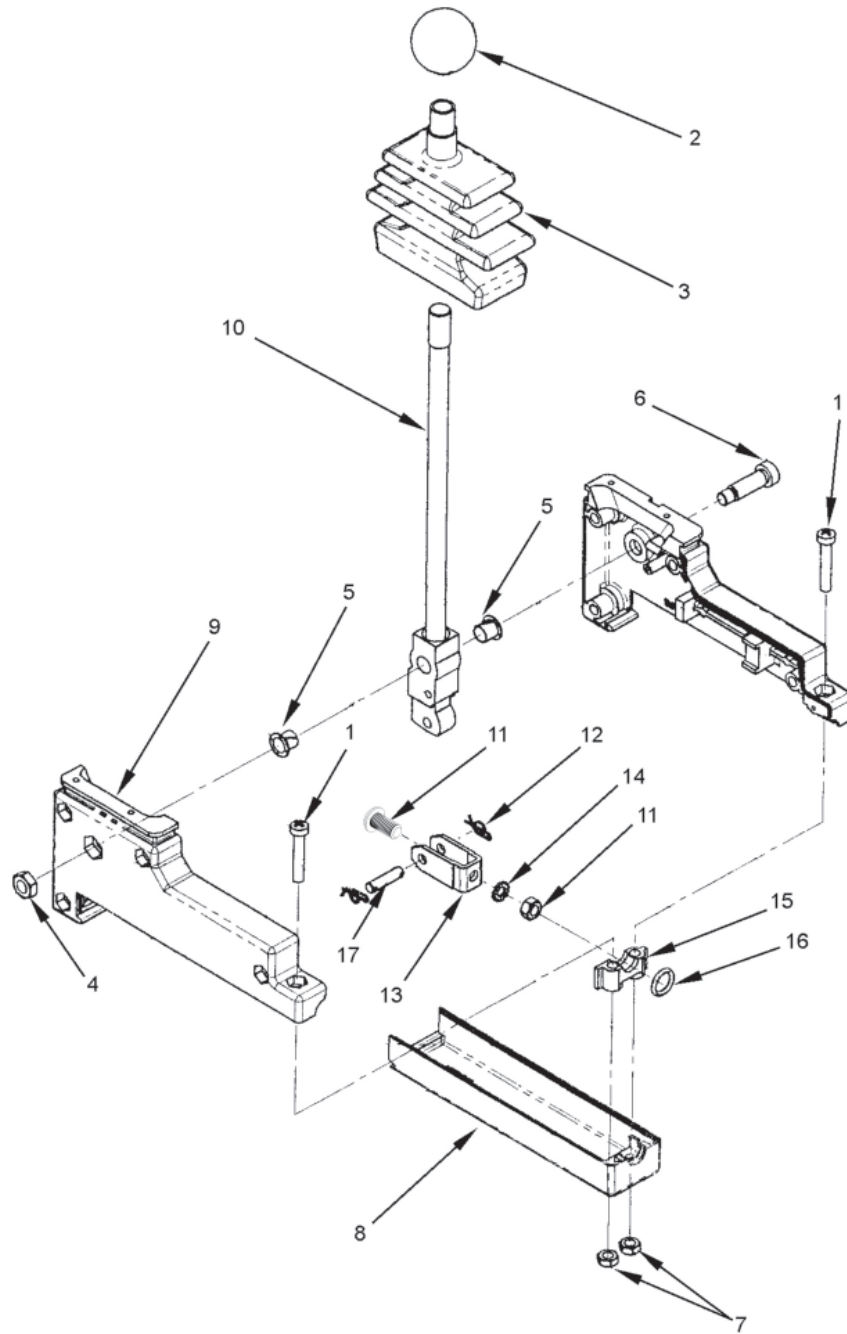


Parts Service Gram	
Item	Gram
All	A3-C-7 R3

Item	Part No.	Description	Qty	Item	Part No.	Description	Qty
	1314697W	Lever, Control	1	15	15024W	. Nut	1
1	*a 1302049W	. Knob	1	16	15004W	. Nut, Jam	1
2	1302048W	. Clamp, Cable	1	17	15923W	. Lockwasher	1
3	1302047W	. Cover	1	18	15005W	. Nut	2
4	1302046W	. Base, Clamp	1	19	15932W	. Lockwasher	2
5	1302045W	. Bearing	2	20	15200W	. Pin, Cotter	1
6	1302044W	. Pin, Clevis	1	21	NSS	. Lever	1
7	1302043W	. U-Bolt	1	22	NSS	. Housing	1
8	1302042W	. Clevis	1	23	*b 2301487W	. Nut, Tall	1
9	1302041W	. Boot	1	23	*c 15004W	. Nut, Jam	1
10	1302040W	. Gasket	1	24	18717W	Cap screw, button Head	1
11	1306003W	. Screw	4				
12	1306002W	. Screw	4				
13	221867W	. Lockwasher	4				
14	1306001W	. Screw	1				
				*a	Use 318702W Thread Lock		
				*b	PFO Only		
				*c	PFR Only		

Control Lever Assembly

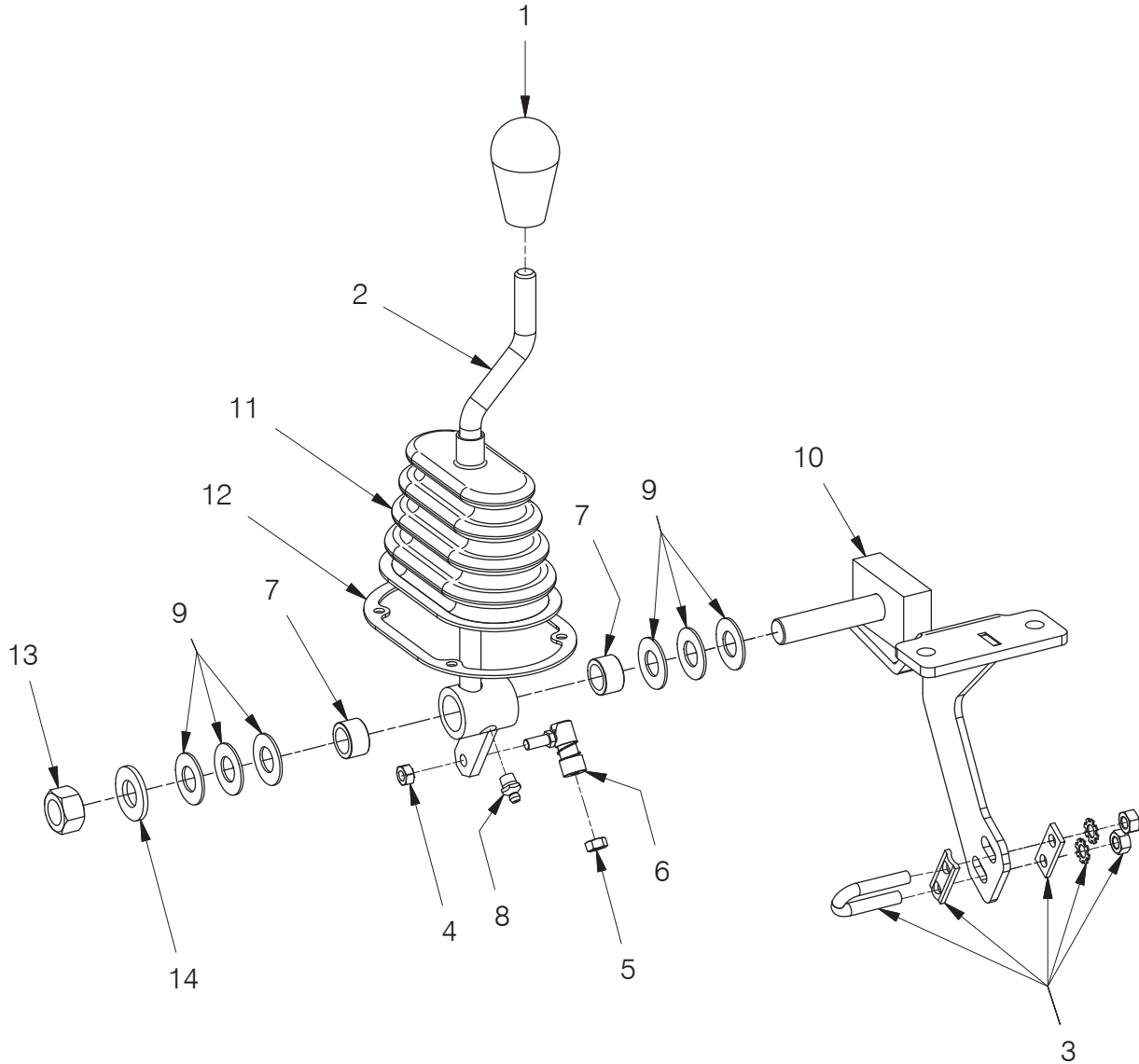
First Used on S/N AW3C-2503



Parts Service Gram	
Item	Gram
All	A3-C-7 R3

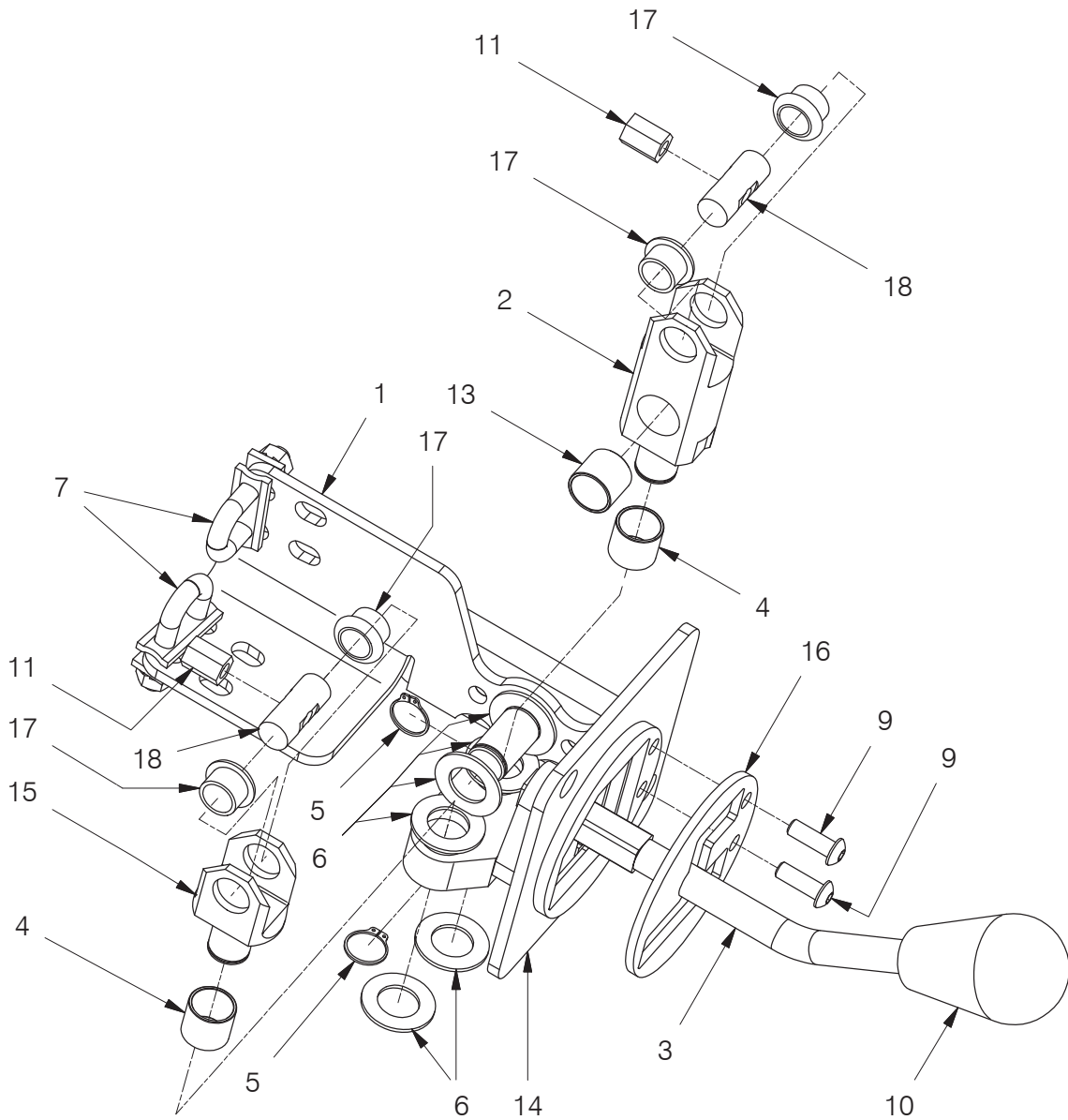
Item	Part No.	Description	Qty	Item	Part No.	Description	Qty
	2303985W	Lever, Control	1				
1	*a -----	. Screw	2	12	*b -----	. Pin, Cotter	2
2	2304339W	. Knob	1	13	*b -----	. Clevis	1
3	2304340W	. Boot	1	14	*b -----	. Washer, Star	1
4	2304341W	. Nut	1	15	*b -----	. Cable	1
5	2304342W	. Bearing, Plastic	2	16	*b -----	. Adapter, O-Ring	1
6	2304343W	. Screw	2	17	*b -----	. Pin	1
7	*b -----	. Nut	1				
8	2304604W	. Cover	1		*a	Included in 2304338W Cover Attaching Hardware Kit	
9	NSS	. Housing	1		*b	Included in 2305023W Cable Attaching Hardware Kit	
10	NSS	. Lever	1				
11	*b -----	. Nut	2				

Control Lever Assembly



Item	Part No.	Description	Qty	Item	Part No.	Description	Qty
	2305938W	Assembly, Control Lever	1				
1	2304339W	. Knob	1	8	16001W	. Fitting	1
2	2305924W	. Assembly, Lever	1	9	2305929W	. Washer	6
3	2300995W	. Kit, U-Bolt	1	10	2305930W	. Bracket	1
4	221342W	. Nut	1	11	2305933W	. Boot	1
5	15004W	. Nut	1	12	2305934W	. Retainer	1
6	139024W	. Joint, Ball	1	13	15119W	. Nut	1
7	2305928W	. Bearing	2	14	15125W	. Washer	1

Control Lever Assembly



Item	Part No.	Description	Qty	Item	Part No.	Description	Qty
	2307005W	Assembly, Control Lever	1				
1	2312191	.Bracket, Vertical Joystick	1	11	2301487W	.Nut, Tall	2
2	2305296W	.Pivot, Main	1	13	2307099W	.Bushing	1
3	2307001W	.Bracket, Bent Lever Pivot	1	14	2312233	.Plate, Spacer	1
4	2305302W	.Bushing	2	15	2305301W	.Pivot, Auxiliary	1
5	58903W	.Ring, Snap	3	16	2312134	.Plate, Gate	1
6	2301634W	.Washer	6	17	*a 2307974W	.Bushing	4
7	2300995W	.Kit, Bolt	2	18	196128W	.Pin	2
8	228131	.Boot (Not Shown)	1				
9	18720W	.Capscrew	2				
10	2304339W	.Knob	1				
					*a	Use 257291W Adhesive	

Optional Equipment

Arch.....4-6 & 4-7

Arch Installation..... 4-8 thru 4-11

Drawbar..... 4-2

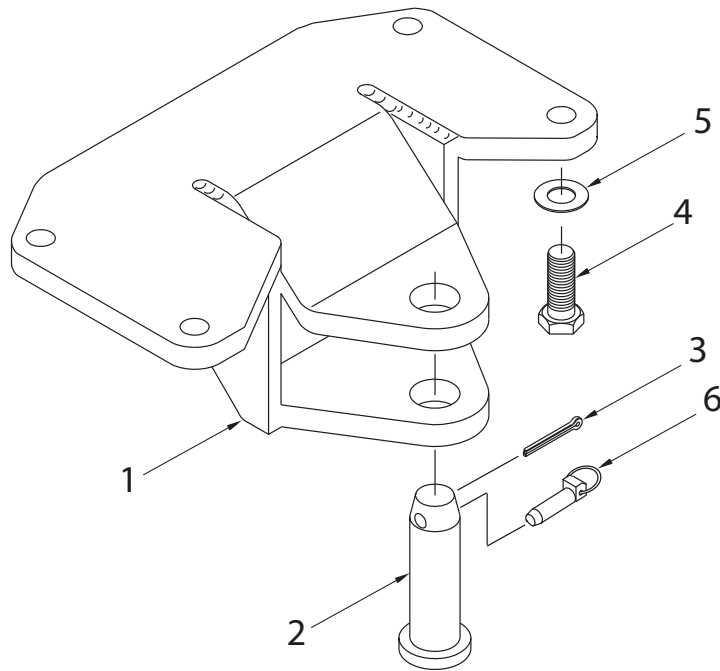
Extended Drawbar..... 4-3 thru 4-5

Fairleads.....4-12 thru 4-15

Freespool Lock..... 4-16

Wire Rope Assemblies..... 4-17

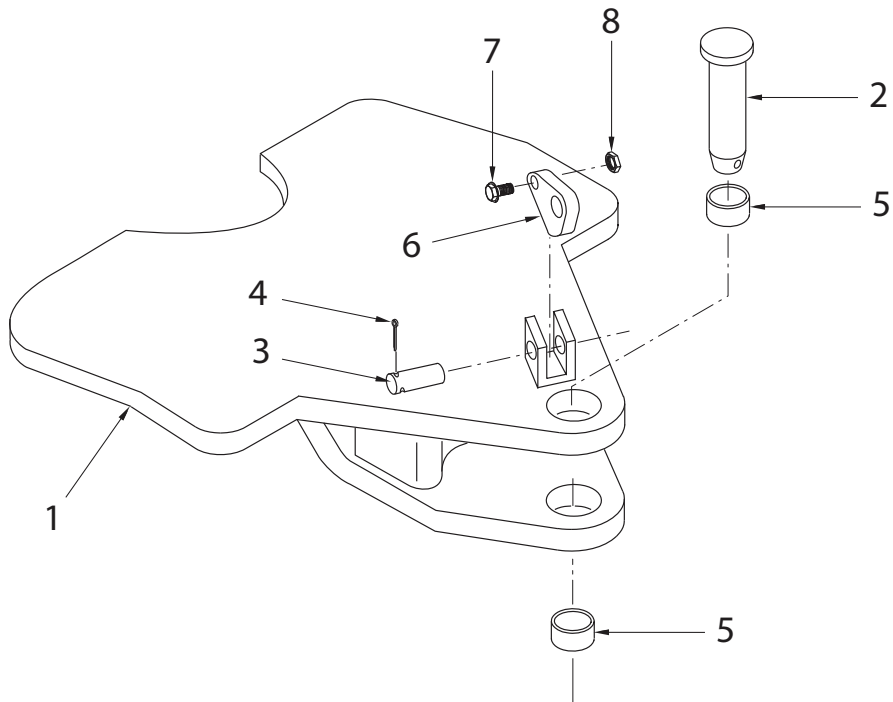
Drawbar



Item	Part No.	Description	Qty	Item	Part No.	Description	Qty
1	1314652W	Drawbar	1	6	*d 2303221W	Pin, Retaining	1
2	1314656W	Pin, Drawbar	1		*a	Used Without Fairlead	
3	*c 15273W	Pin, Cotter	1		*b	Used With Fairlead	
4	*a 168054W	Capscrew	4		*c	Last Used on S/N AW3C-2342	
4	*b 221659W	Capscrew	4		*d	First Used on S/N AW3C-2343	
5	221777W	Washer	4				

Extended Drawbar

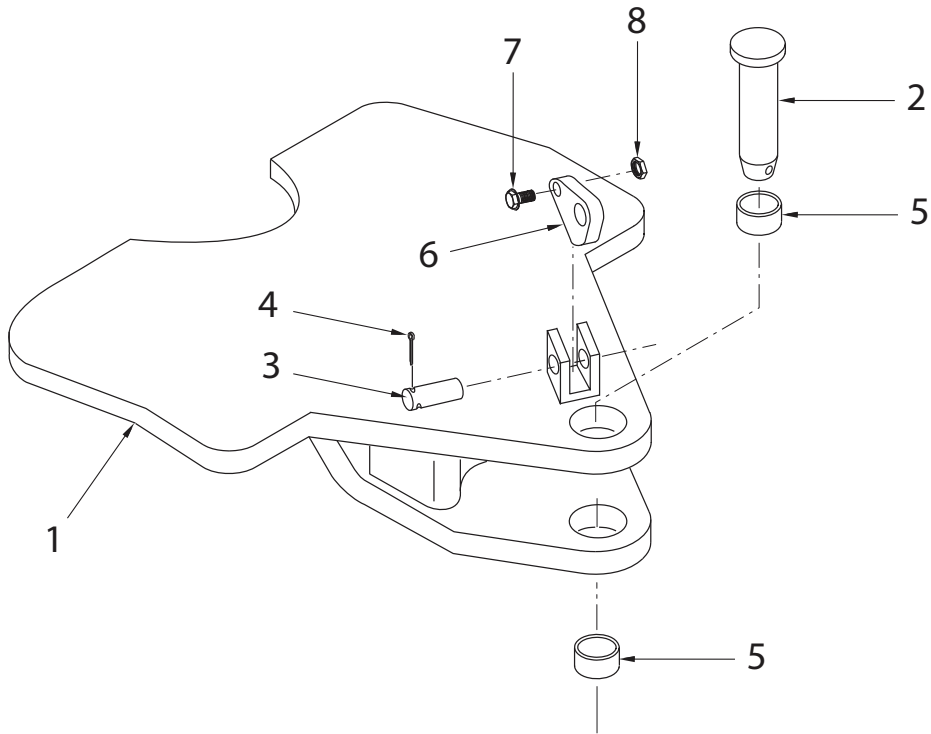
Available only as an welded extension to Fairlead
 First Used on S/N AW3C-2425 (Three-Roller)



Item	Part No.	Description	Qty	Item	Part No.	Description	Qty
1	NSS	Drawbar	1	5	2303753W	Bushing	2
2	1314656W	Pin, Drawbar	1	6	145499W	Latch	1
3	159W	Pin	1	7	16829W	Capscrew	1
4	15223W	Pin, Cotter	1	8	15058W	Nut	1

Extended Drawbar

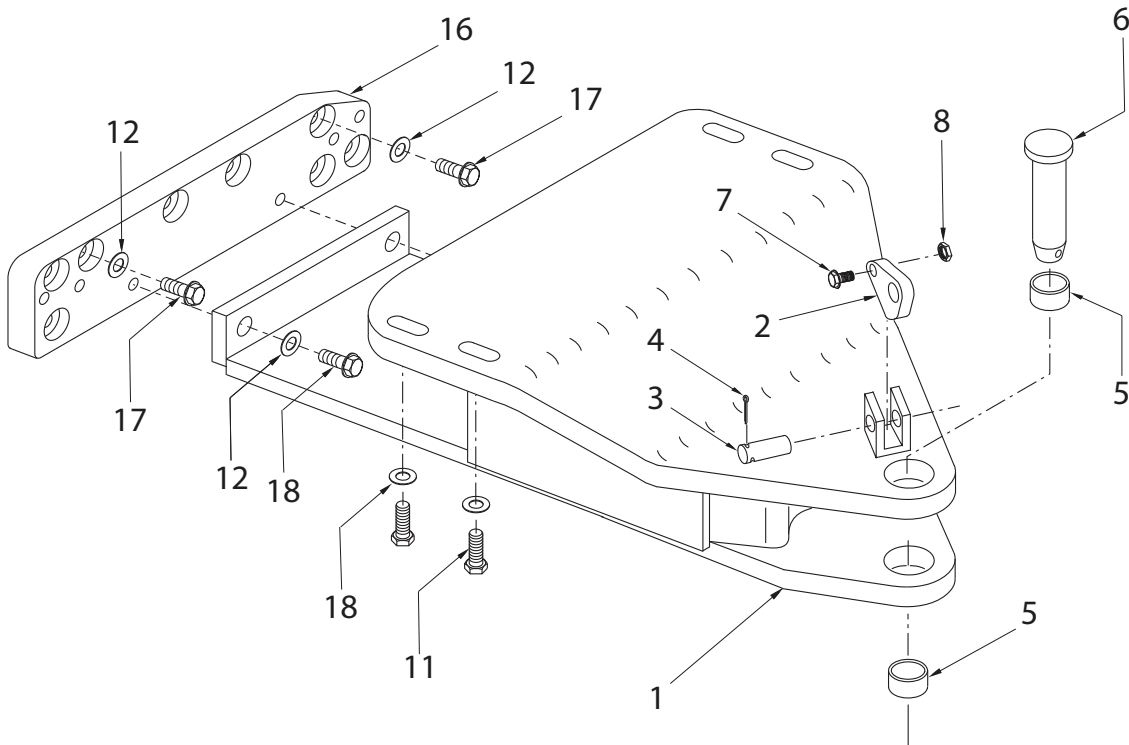
Available only as an welded extension to Fairlead
 First Used on S/N AW3C-2395 (Four-Roller)



Item	Part No.	Description	Qty	Item	Part No.	Description	Qty
1	NSS	Drawbar	1	5	2303753W	Bushing	2
2	1314656W	Pin, Drawbar	1	6	145499W	Latch	1
3	159W	Pin	1	7	16829W	Capscrew	1
4	15223W	Pin, Cotter	1	8	15058W	Nut	1

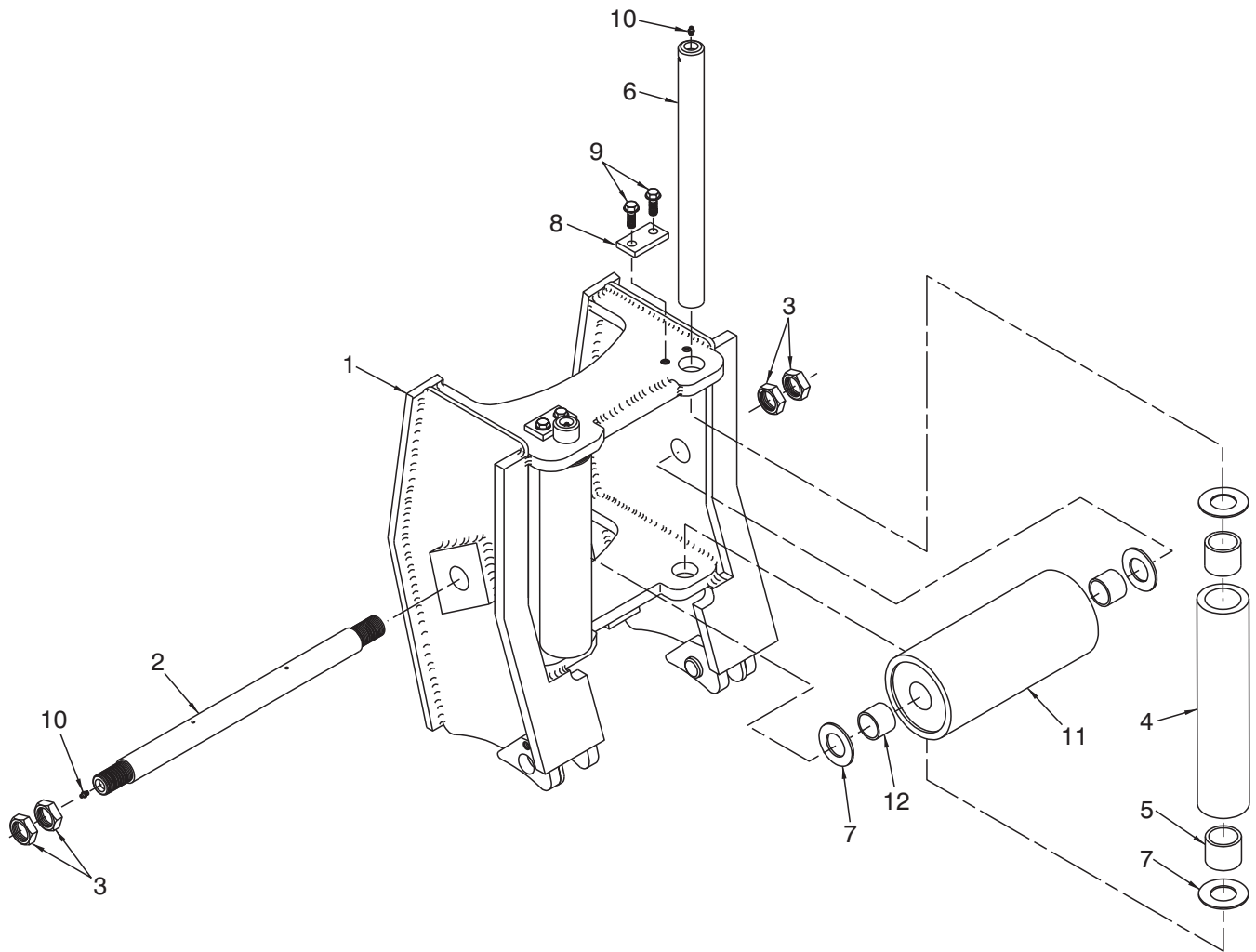
Extended Drawbar

Dresser/Dressta TD7H, TD8H, TD9H (H13)



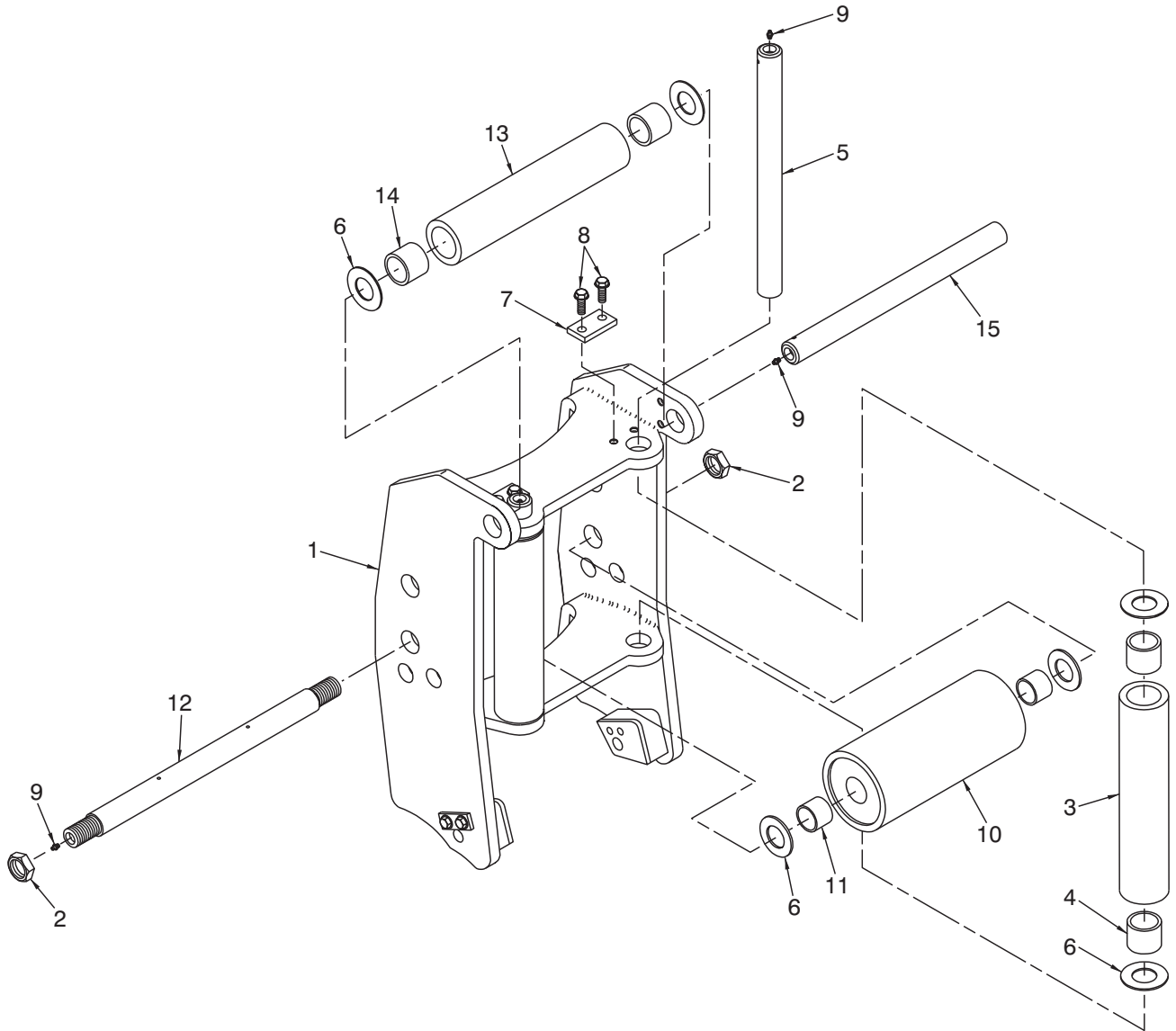
Item	Part No.	Description	Qty	Item	Part No.	Description	Qty
1	2304681W	Drawbar	1	8	15058W	Nut	1
2	145499W	Latch	1	11	177192W	Capscrew	1
3	159W	Pin	1	12	221777W	Washer	1
4	15223W	Pin	1	16	2304676W	Pad, Mounting	2
5	2304692W	Bushing	2	17	168054W	Capscrew	1
6	2304161W	Pin, Drawbar	1	18	142270W	Capscrew	1
7	16829W	Capscrew	1				

Arch
Three-Roller



Item	Part No.	Description	Qty	Item	Part No.	Description	Qty
	-----	Assembly, Arch	1				
1	NSS	. Frame	1	7	344825W	. Washer	6
2	1314661W	. Shaft	1	8	93166W	. Keeper	2
3	32796W	. Nut, Jam	4	9	398817W	. Screw, Flange	4
4	344826W	. Assembly, Roller	2	10	16001W	. Fitting	6
5	59419W	. Bushing	2	11	2300125W	. Assembly, Roller	1
6	344835W	. Shaft	2	12	59419W	. Bushing	2

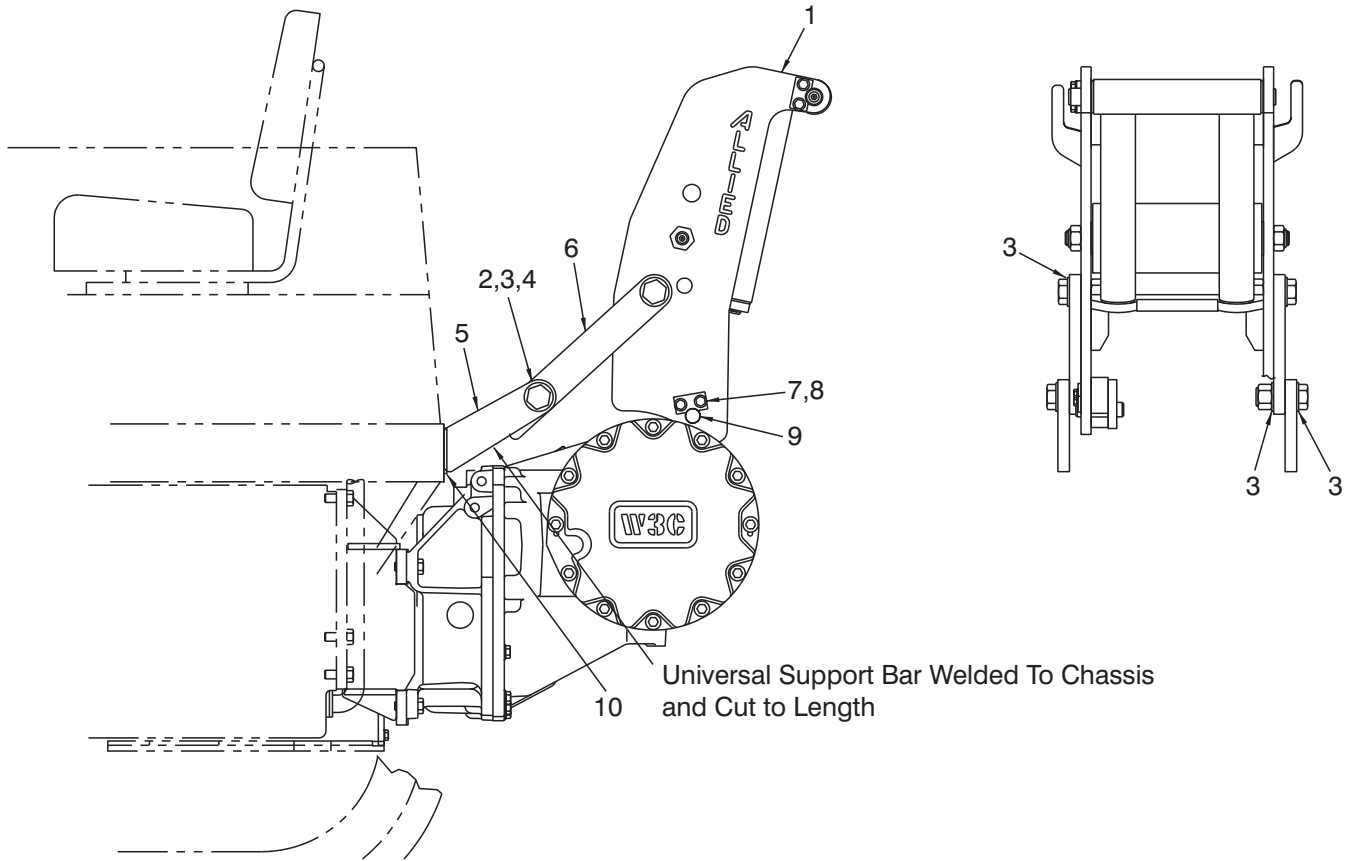
Arch
Four-Roller



Item	Part No.	Description	Qty	Item	Part No.	Description	Qty
	-----	Assembly, Arch	1				
1	NSS	. Frame	1	10	2300125W	. Assembly, Roller	1
2	*a 221724W	. Nut	2	11	59419W	. Bushing	2
3	342448W	. Assembly, Roller	2	12	2300948W	. Shaft	1
4	59419W	. Bushing	2	13	344826W	. Assembly, Roller	1
5	342447W	. Shaft	2	14	59419W	. Bushing	2
6	344825W	. Washer	8	15	344835W	. Shaft	1
7	93166W	. Keeper	3				
8	398817W	. Screw, Flange	6				
9	16001W	. Fitting	8				
					*a	Use 318702W Thread Lock	

Arch Installation

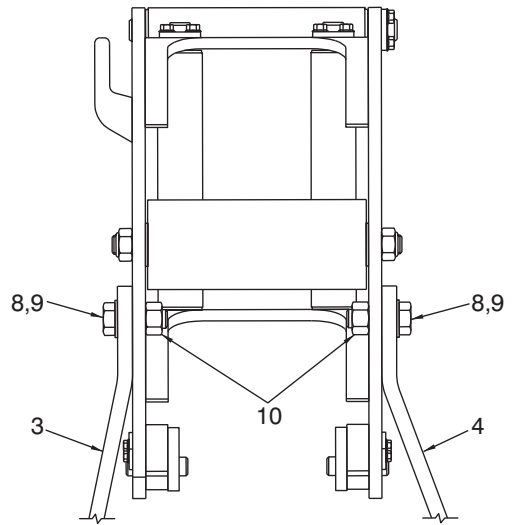
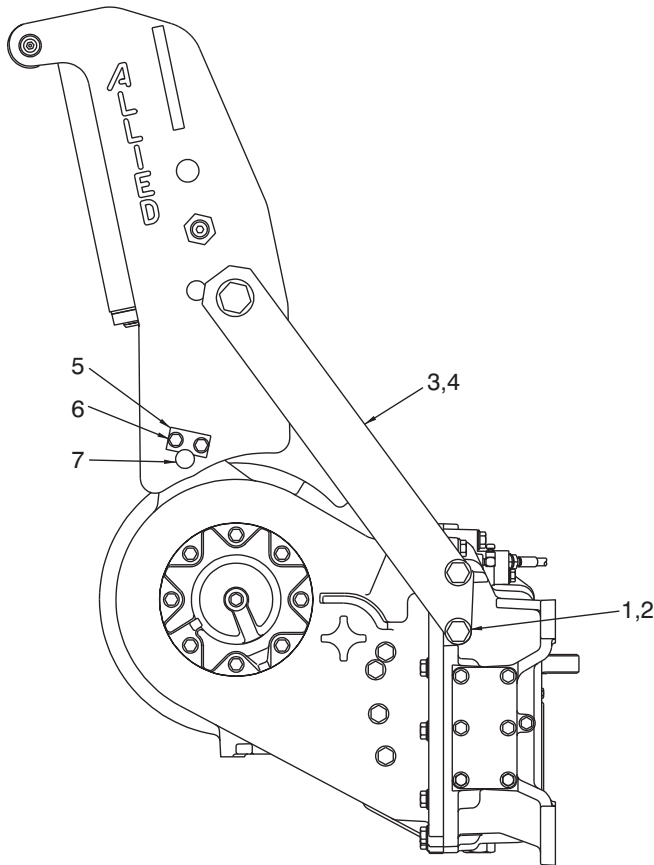
Case 450/550G/H (R11), 650-850G/H (R13), 650-850K (R14/15)



Item	Part No.	Description	Qty	Item	Part No.	Description	Qty
1	-----	Assembly, Arch	1	7	1314629W	Pin	2
2	166396W	Capscrew	4	8	93166W	Keeper	2
3	15128W	Washer	6	9	398817W	Screw, Flange	4
4	*a 221724W	Nut	4	10	2303790W	Plate, Cross	1
5	2301014W	Ear, Arch Support	2				
6	2301015W	Plate, Arch Support	2				
					*a	Use 318702W Thread Lock	

Arch Installation

Caterpillar D3C D4C D5C (C11);
 Dresser/Dressta TD7H, TD8H, TD9H (H13);
 Fiat-Hitachi/New Holland;
 John Deere;
 Komatsu

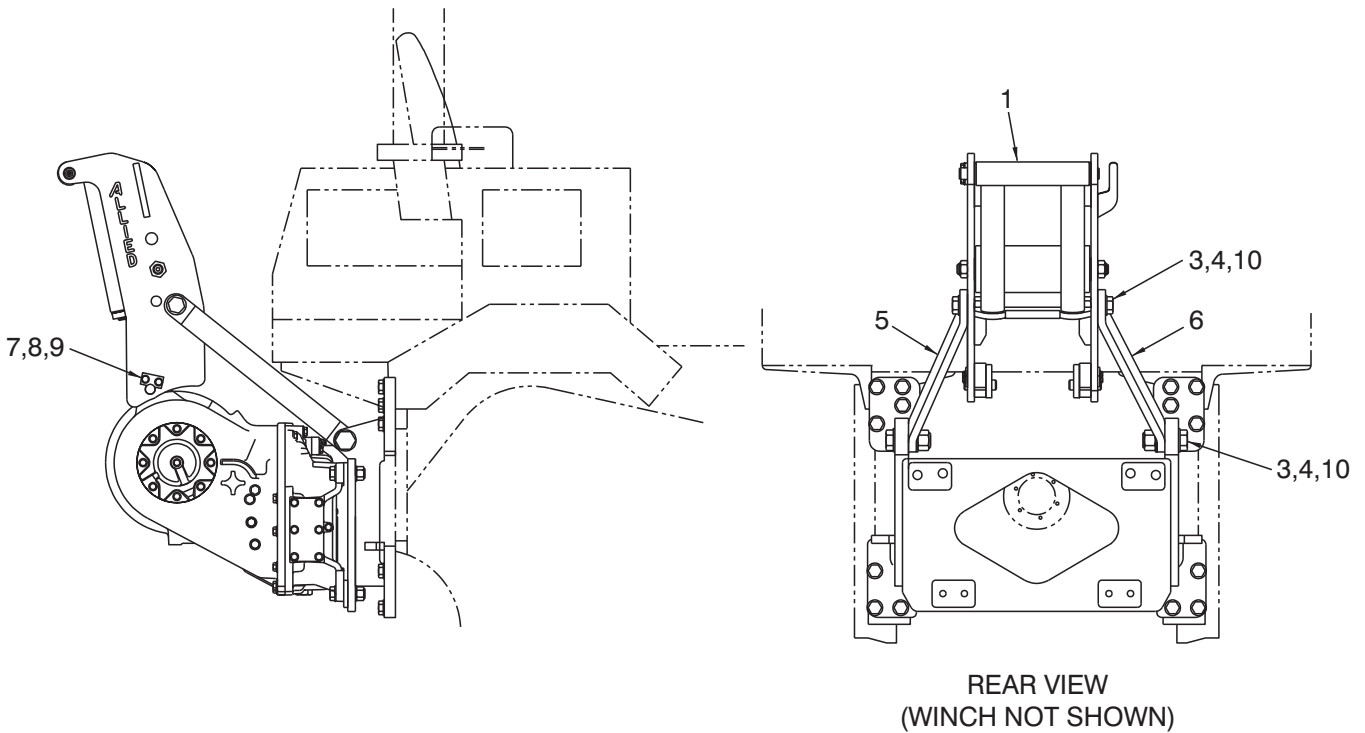


FRONT VIEW
 (WINCH NOT SHOWN)

Item	Part No.	Description	Qty	Item	Part No.	Description	Qty
1	221672W	Capscrew	4	7	1314629W	Pin	2
2	221779W	Washer	4	8	15128W	Washer	2
3	2301026W	Bar, Support	1	9	166396W	Capscrew	2
4	2301025W	Bar, Support	1	10	*a 221724W	Nut	2
5	93166W	Keeper	2				
6	398817W	Screw, Flange	4		*a	Use 318702W Thread Lock	

Arch Installation

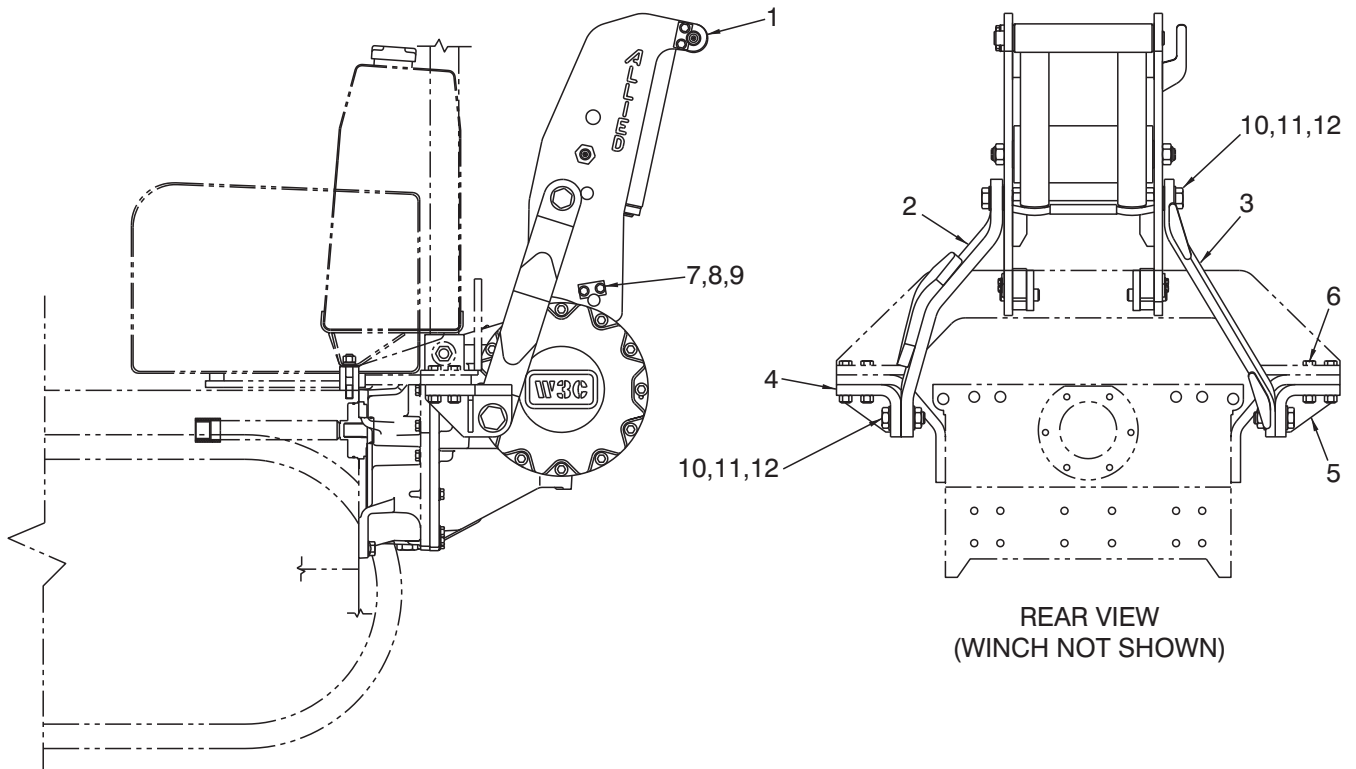
Caterpillar D4H (C360/361/362), D5M (C30)



Item	Part No.	Description	Qty	Item	Part No.	Description	Qty
1	-----	Assembly, Arch	1	8	93166W	Keeper	2
3	15128W	Washer	6	9	398817W	Screw, Flange	4
4	*a 221724W	Nut	4	10	166396W	Capscrew	4
5	2301020W	Support, Arch - LH	1				
6	2301021W	Support, Arch - RH	1				
7	1314629W	Pin	2				
					*a	Use 318702W Thread Lock	

Arch Installation

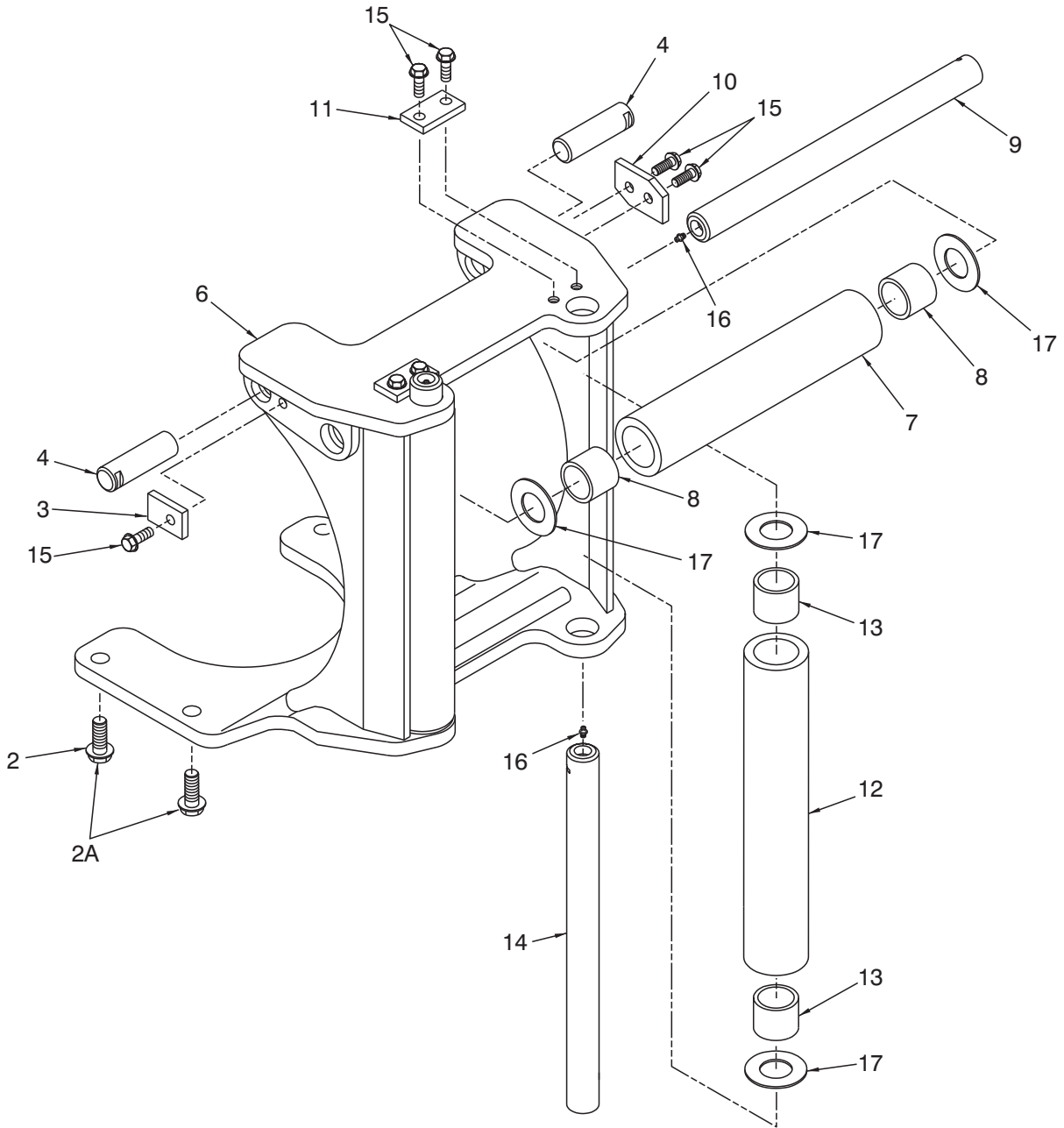
Dresser/Dressta TD7E, TD8E, TD7G, TD8G, TD100E & TD120E (H12)



Item	Part No.	Description	Qty	Item	Part No.	Description	Qty
1	-----	Assembly, Arch	1	8	93166W	Keeper	2
2	2301017W	Arm, Support	1	9	398817W	Screw, Flange	4
3	2301019W	Arm, Support	1	10	*a 221724W	Locknut	4
4	2300476W	Bracket - LH	1	11	15128W	Washer	8
5	2300477W	Bracket - RH	1	12	2300478W	Capscrew	4
6	221666W	Capscrew	8				
7	1314629W	Pin	2		*a	Use 318702W Thread Lock	

Three-Roller Fairlead

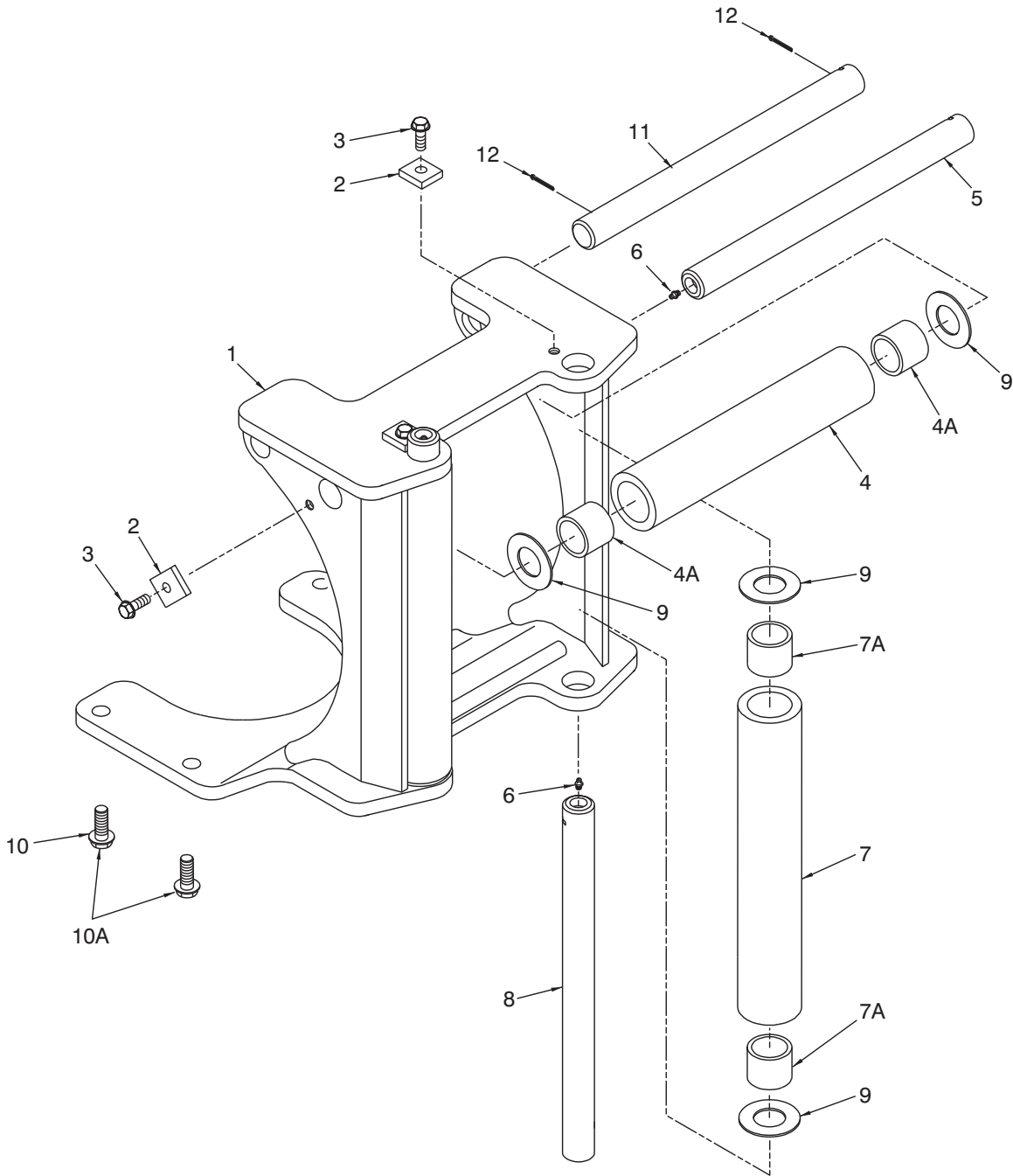
Last used on S/N AW3C-1733



Item	Part No.	Description	Qty	Item	Part No.	Description	Qty
	-----	Assembly, Fairlead	1				
2	221777W	. Washer	4	11	93166W	. Keeper	2
2A	*a 168054W	. Capscrew	4	12	342448W	. Assembly, Roller	2
	*b 221659W	. Capscrew	4	13	59419W	. Bushing	2
3	1314769W	. Keeper	1	14	342447W	. Shaft	2
4	1314629W	. Pin	2	15	398817W	. Screw, Flange	7
6	1314644W	. Frame, Fairlead	1	16	16001W	. Fitting, Lube	6
7	344826W	. Assembly, Roller	1	17	344825W	. Washer	6
8	59419W	. Bushing	2				
9	344835W	. Shaft	1				
10	1314768W	. Keeper	1				
				*a	Used Without Drawbar		
				*b	Used With Drawbar		

Three-Roller Fairlead

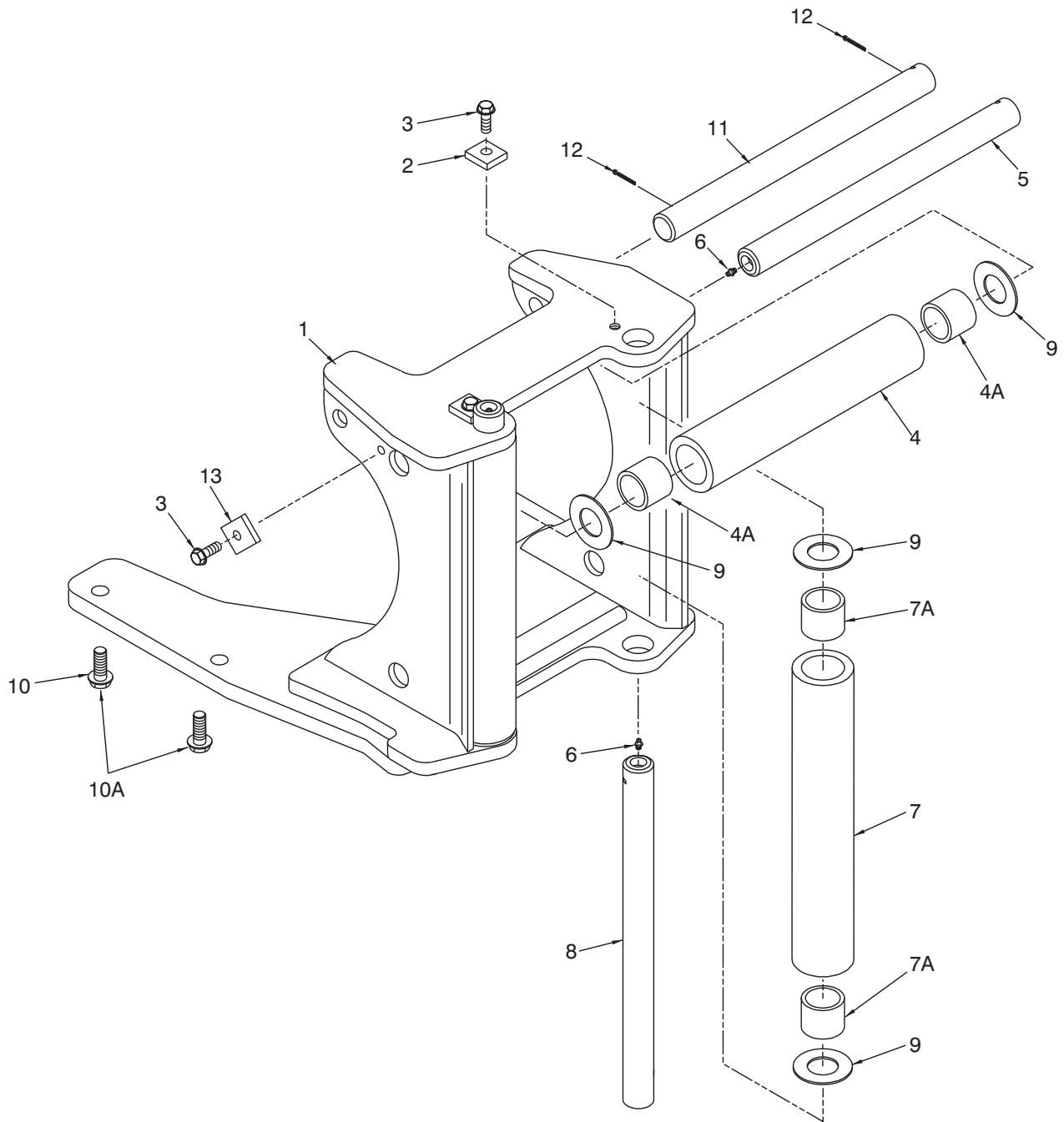
Used on S/N AW3C-1734 thru AW3C-2425



Item	Part No.	Description	Qty	Item	Part No.	Description	Qty
	-----	Fairlead Assembly	1				
1	2301704W	. Frame	1	9	344825W	. Washer	6
2	2301706W	. Keeper	3	10	221777W	. Washer	4
3	398817W	. Screw, Flange	3	10A	*a 168054W	. Capscrew	4
4	2301708W	. Assembly, Roller	1		*b 221659W	. Capscrew	4
4A	59419W	. Bushing	2	11	2301710W	. Pin, Tie Bar	1
5	2301709W	. Shaft	1	12	15256W	. Pin, Cotter	2
6	16001W	. Fitting, Lube	6				
7	342448W	. Assembly, Roller	2		*a	Used Without Drawbar	
7A	59419W	. Bushing	2		*b	Used With Drawbar	
8	342447W	. Shaft	2				

Three-Roller Fairlead

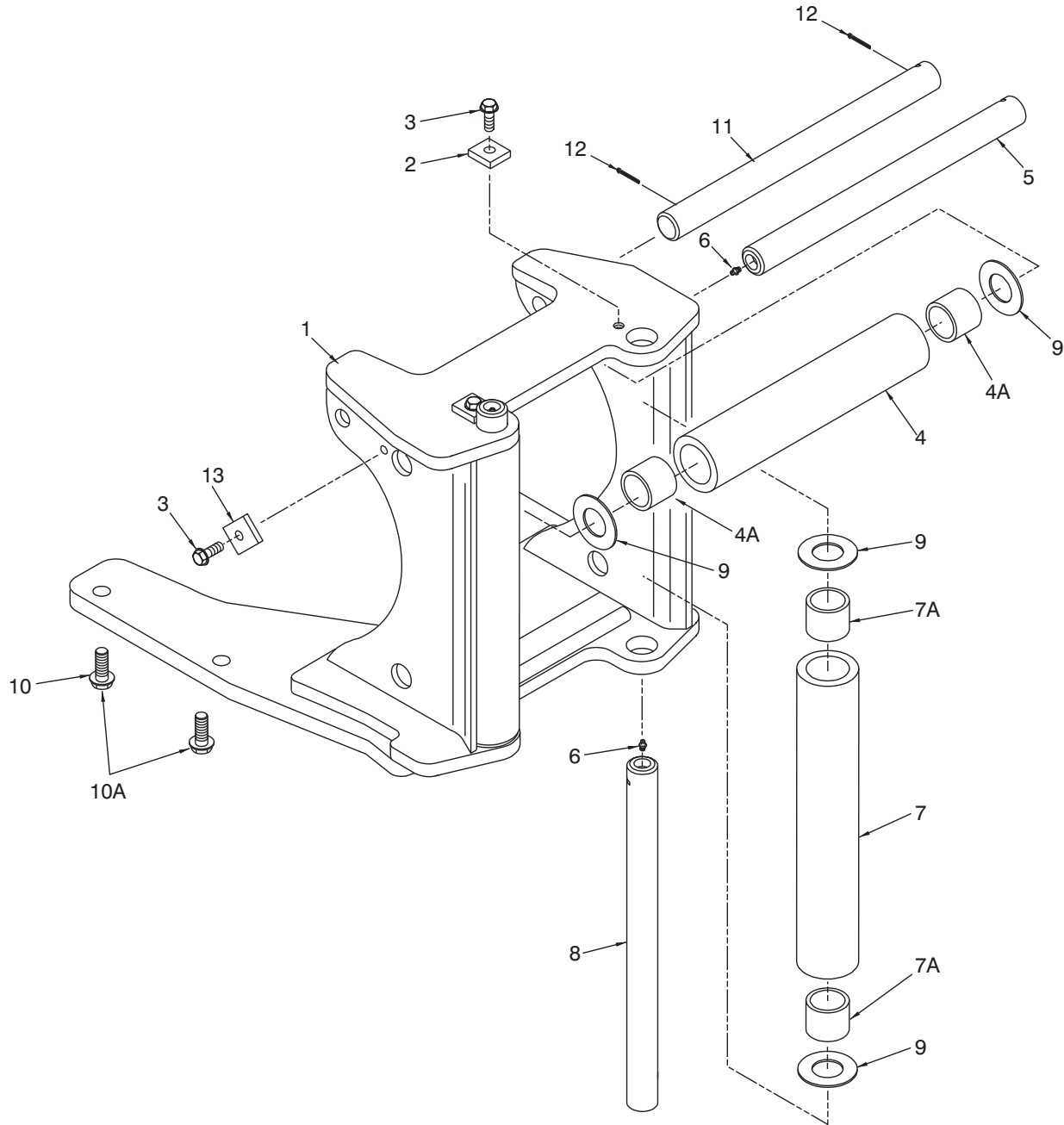
First Used on S/N AW3C-2426



Item	Part No.	Description	Qty.	Item	Part No.	Description	Qty.
	-----	Assembly, Fairlead	1				
1	2303757W	. Frame	1	9	344825W	. Washer	6
2	2301706W	. Keeper	2	10	221777W	. Washer	4
3	398817W	. Screw, Flange	3	10A	*a 168054W	. Capscrew	4
4	2301708W	. Assembly, Roller	1		*b 221659W	. Capscrew	4
4A	59419W	. Bushing	2	11	2301710W	. Pin, Tie Bar	1
5	2301709W	. Shaft	1	12	15256W	. Pin, Cotter	2
6	16001W	. Fitting, Lube	6				
7	2303755W	. Assembly, Roller	2		*a	Used Without Drawbar	
7A	59419W	. Bushing	2		*b	Used With Drawbar	
8	2303754W	. Shaft	2				

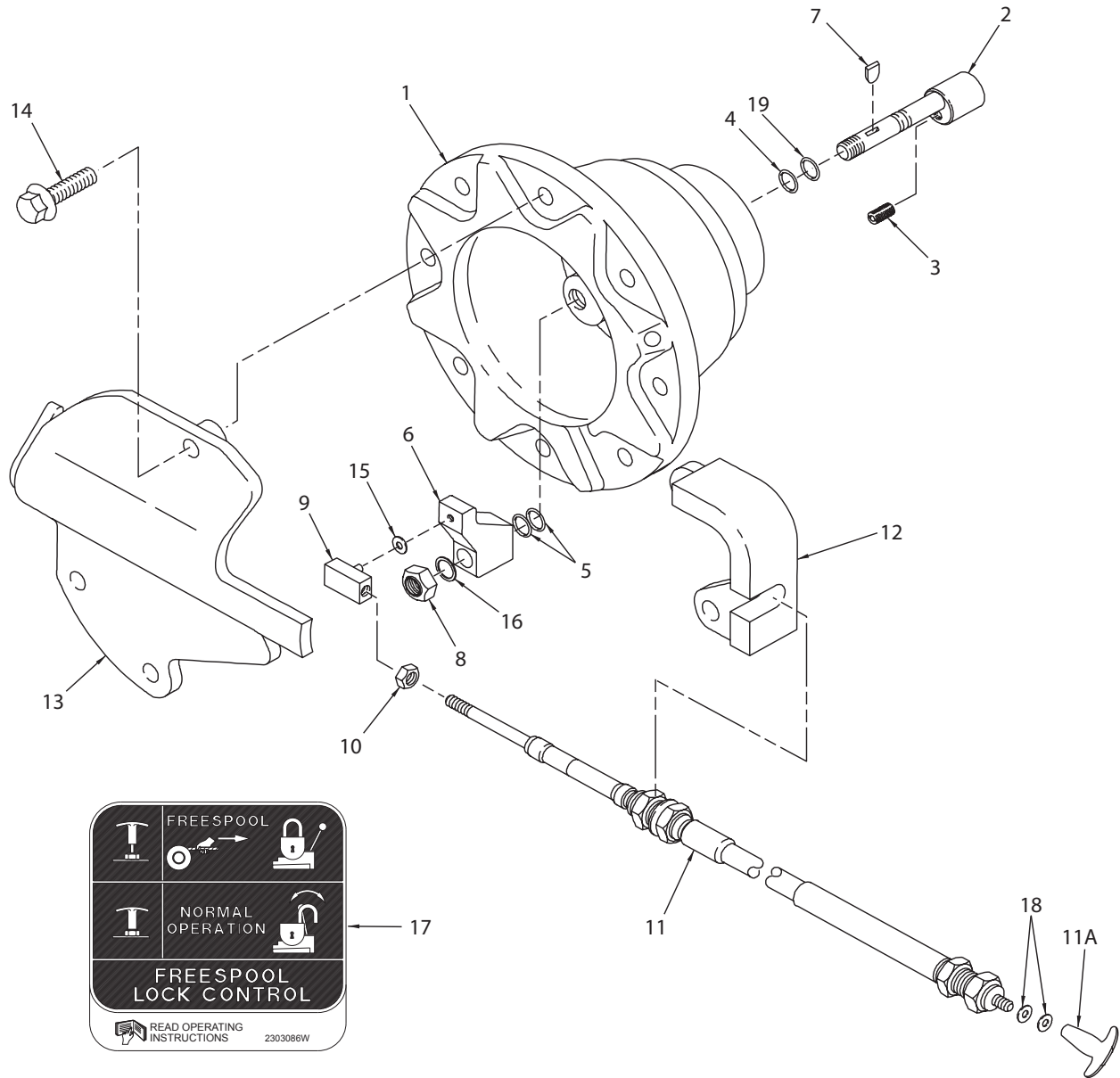
Four-Roller Fairlead

First Used on S/N AW3C-2395



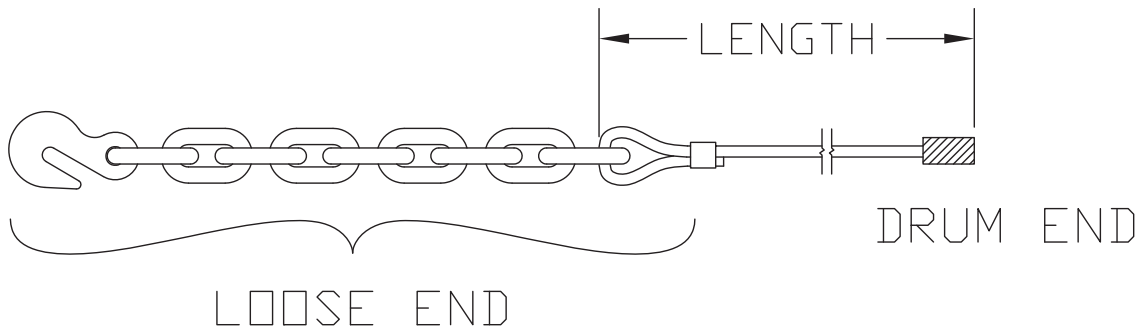
Item	Part No.	Description	Qty	Item	Part No.	Description	Qty
	-----	Assembly, Fairlead	1				
1	2303757W	. Frame	1	9	344825W	. Washer	8
2	2301706W	. Keeper	2	10	221777W	. Washer	4
3	398817W	. Screw, Flange	4	10A	*a 168054W	. Capscrew	4
4	2301708W	. Assembly, Roller	2		*b 221659W	. Capscrew	4
4A	59419W	. Bushing	4	11	2301710W	. Pin, Tie Bar	1
5	2301709W	. Shaft	2	12	15256W	. Pin, Cotter	2
6	16001W	. Fitting, Lube	8				
7	2303755W	. Assembly, Roller	2		*a	Used Without Drawbar	
7A	59419W	. Bushing	2		*b	Used With Drawbar	
8	2303754W	. Shaft	2				

Freespool Lock



Item	Part No.	Description	Qty	Item	Part No.	Description	Qty
1	2301029W	. Cover - RH	1	12	2301034W	. Bracket	1
2	*a 2301033W	. Shaft	1	13	2301040W	. Cover	1
	*b 2301678W	. Shaft	1	14	398888W	. Screw, Flange	3
3	2301041W	. Detent	1	15	18425W	. Washer	1
4	15860W	. O-Ring	1	16	*a 16828W	. Washer	1
5	39347W	. O-Ring	1		*b 15134W	. Washer	1
6	*a 2301032W	. Lever	1	17	2303086W	. Decal	1
	*b 2301674W	. Lever	1	18	15125W	. Washer	2
7	*a 222201W	. Key	1	19	*a 39347W	. O-Ring	1
8	145641W	. Nut	1		*b 15860W	. O-Ring	1
9	139024W	. Balljoint	1				
10	15004W	. Nut	1				
11	2301042W	. Cable	1				
11A	2301043W	. . Knob (Tee Handle)	1				
					*a	Last Used on S/N AW3C-1856	
					*b	First Used on S/N AW3C-1857	

Wire Rope Assemblies



Wire Rope Diameter Dia (in)	Wire Rope	Tail Chain & Hook
	Breaking Strength New (lbs)	Working Load Limit (lbs) 3.5:1 Design Factor
1/2	26,600	13,000
5/8	41,200	13,000
3/4	58,800	34,200

Part No.	Wire Rope Diameter	Length Ft (M)	Part No.	Wire Rope Diameter	Length Ft (M)
WR4-234B	1/2"	234 (71) *	WR6-164B	*a 3/4"	164 (50) **
WR4-354B	1/2"	354 (108) **			
WR5-153B	5/8"	153 (47) *			
WR5-232B	5/8"	232 (71) **			
WR6-108B	*a 3/4"	108 (33) *			

* Length to fill drum to 2/3 capacity (recommended)
 ** Length to fill drum to full capacity
 *a Can not be used with arch

Intentionally Blank

Recommended Service Kits

Recommended Winch Service Intervals 5-2

Recommended Service Kits. 5-3

Brake Assembly Kit - 2300576W 5-4

Clutch Assembly Kit - 2303047W. 5-5

Input Clutch Shaft Bearing Kit - 2313007. 5-6

Input Clutch Shaft Bearing Kit - 2313008. 5-7

Input Clutch Shaft Bearing Kit - 2313009. 5-8

Clutch, Brake and Intermediate Shaft Bearing Seal Kit
- 2313010. 5-10 & 5-11

Ring/Pinion, Drum and Freespool Shaft Bearing Seal Kit
- 2313011. 5-12 & 5-13

Recommended Winch Service Intervals

Allied Systems Company is pleased to announce an additional tool to keep your customer's winch serviced and functioning properly. Following this recommended service schedule will help keep tractor winch downtime

to a minimum, optimize winch operation, and extend the life of your investment. See Table 1 on this page for recommended service intervals, and Table 2 on the next page for recommended service kits.

PTO Winch Maintenance

Recommended Winch Service Intervals

Hours or **	Months **	Filter ***	Winch Gear Oil	Brake & Clutch	Major Overhaul
First 250	1	Change			
Every 500	3	Change			
Every 1,000	6		Change		
Every 5,000				* Inspect	
Every 10,000					* Evaluate

Lube rollers and check oil level and filter light weekly.

* Evaluate = Service based on average winch use;
 - if used more than once a day, perform overhaul.
 - if used less than once a day, remove covers and check to determine need.
 * Inspect = Disassemble and inspect for wear.
 ** Service winch using the tractor's hour meter or the length of time the winch is mounted to the tractor, whichever occurs first.
 *** Follow tractor schedule if using tractor filter.

IMPORTANT - For best Load Control
Use only the following oils:

Caterpillar -Multipurpose Tractor Oil (MTO)
 John Deere -Hy-Gard
 ExxonMobil -Mobil Fluid 424 (Factory Fill)
 Chevron -1000 THF

Consult service/operating manual for low temperature oils and other details. Use of non-approved oil may void warranty.





2311481 Rev C

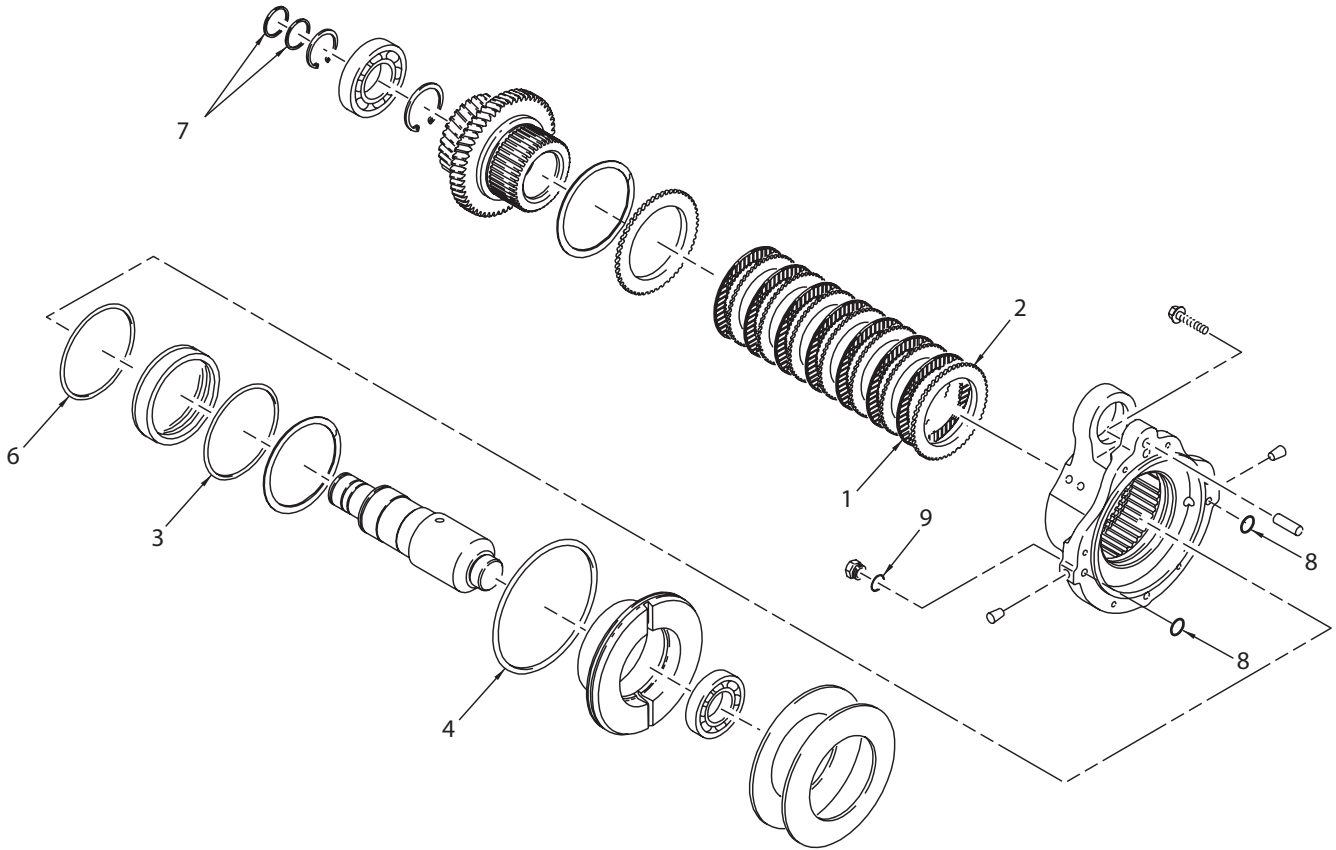
Table 1 Recommended Winch Service Intervals

Recommended Service Kits

SERVICE KITS FOR W3C WINCHES									
Service Description	Kit Description	Gear Ratios		PFO	PFR	Low PTO Input	High PTO Input	Tractor Code	Kit Part Number
		39:1	61:1						
Filter Change (First 250, then every 500 Hours)	Clean Debris From 317757W (Strainer) [Consult Parts/Service Manual]	ALL							N/A
Complete Oil Change (Every 1000 hours)	-N/A-	Consult Tractor Operators/Service Manual for Approved Oils							
Clutch and Brake Overhaul (Every 5000 Hours)	Sealant for Frames and Covers	ALL							313022W
	Brake Assembly Kit	ALL							2300576W
	Clutch Assembly Kit	ALL							2303047W
	Pump Assembly	ALL				X		R15	2303531W
						X		ALL Except R15	1314522W
						X	2303531W		
Major Overhaul (Every 10000 Hours)		Gear Ratios		PFO	PFR	Low PTO Input	High PTO Input	Tractor Code	Kit Part Number
		39:1	61:1						
	Input Clutch Shaft Bearing Kit		X		X	X		R15	2313009
	Input Clutch Shaft Bearing Kit		X	X		X		R15	2313008
	Input Clutch Shaft Bearing Kit		X	X		X		ALL Except R15	2313007
	Input Clutch Shaft Bearing Kit		X		X	X		ALL Except R15	2313009
	Input Clutch Shaft Bearing Kit	X		X		X		ALL Except R15	2313007
	Input Clutch Shaft Bearing Kit	X			X	X		ALL Except R15	2313009
	Input Clutch Shaft Bearing Kit	X		X			X	ALL	2313008
	Input Clutch Shaft Bearing Kit	X			X		X	ALL	2313009
	Input Clutch Shaft Bearing Kit		X	X			X	ALL	2313008
	Input Clutch Shaft Bearing Kit		X		X		X	ALL	2313009
	Clutch, Brake, and Intermediate Shaft Bearing and Seal Kit	ALL							2313010
	Ring and Pinion, Drum, and Freespool Shaft Bearing and Seal Kit	ALL							2313011

Table 2 Routine Maintenance Kits

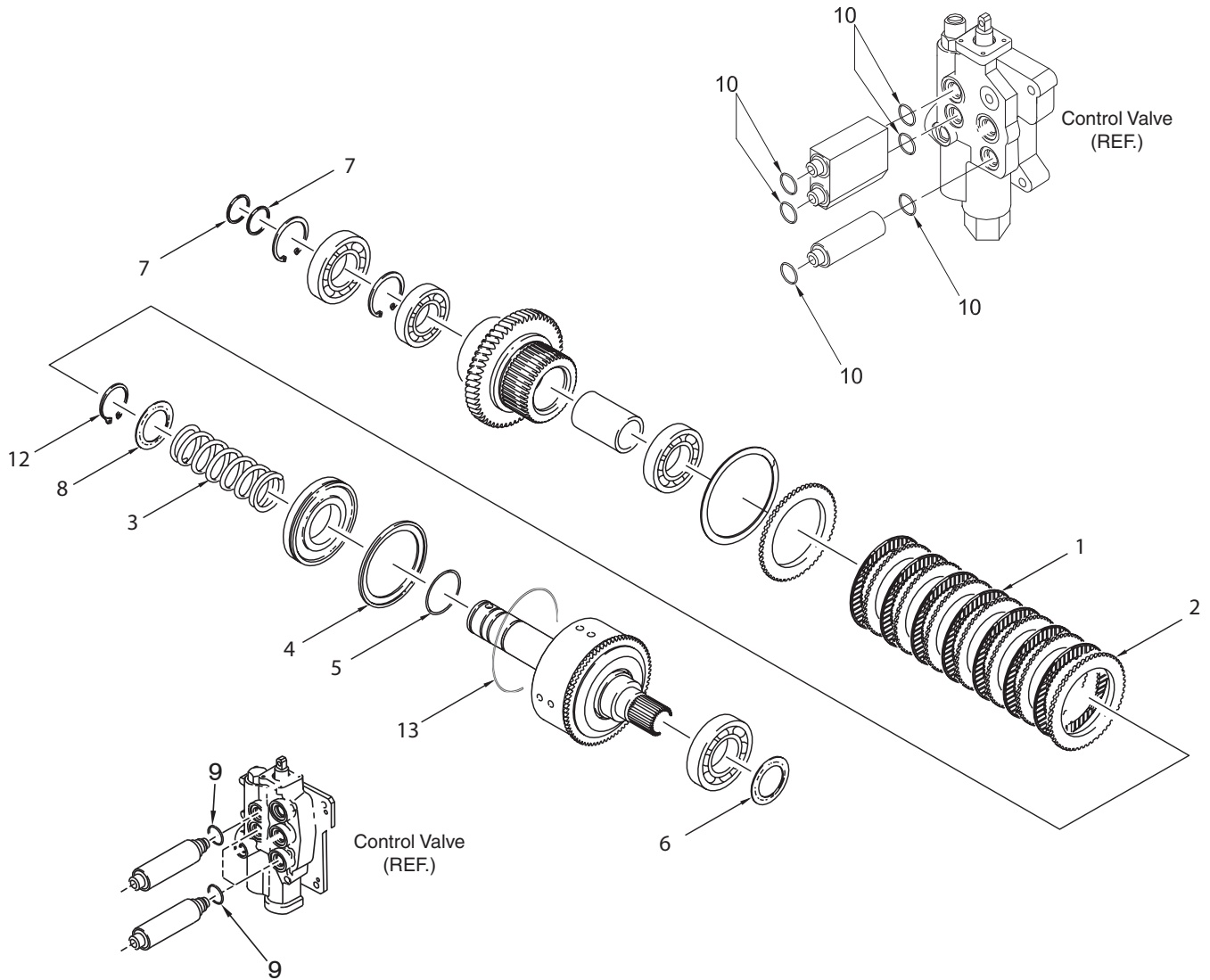
Brake Assembly Kit: 2300576W



Note: Only parts with item numbers are actually included in this Service Kit. All other parts are shown for reference only.

Item	Part No.	Description	Qty	Item	Part No.	Description	Qty
1	2304873W	Plate, Friction	7	6	39756W	O-Ring	1
2	2304874W	Plate, Separator	7	7	346677W	Ring, Sealing	1
3	86596W	O-Ring	1	8	60653W	O-Ring	2
4	87287W	O-Ring	1	9	16484W	O-Ring	1
5	211564	O-Ring	1				

Clutch Assembly Kit: 2303047W

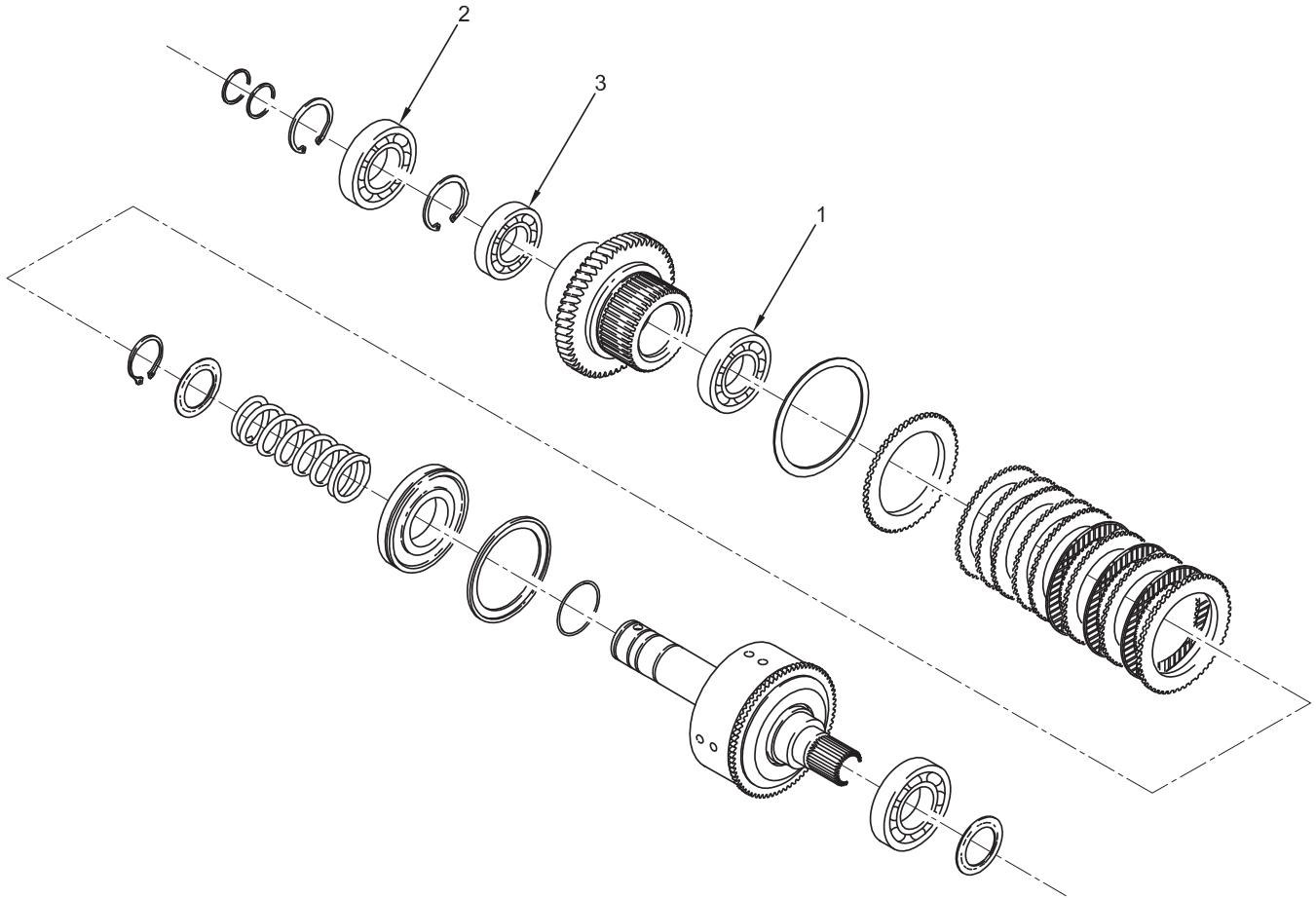


Note: Only parts with item numbers are actually included in this Service Kit. All other parts are shown for reference only.

Item	Part No.	Description	Qty	Item	Part No.	Description	Qty
1	2304873W	Plate, Friction	5	8	1314549W	Spring, Guide	1
2	2304874W	Plate, Separator	10	9	16484W	O-Ring (Used in Control Valve)	3
3	1314447W	Spring, Clutch	1	10	100153W	O-Ring (Used in Control Valve)	6
4	334402W	Seal, Clutch Pack	1	11	313022W	Adhesive (Not Shown)	1
5	140597W	O-Ring	1	12	334480W	Snap Ring, EXT.	1
6	44503W	Seal, Oil	1	13	2304919W	Ring	1
7	346677W	Ring, Sealing	2				

Input Clutch Shaft Bearing Kit: 2313007

Gear Ratios				PFO	PFR	Low PTO Input	High PTO Input	Tractor Code
30:1	39:1	40:1	61:1					
		X	X	X		X		All Except R15
X	X			X		X		All Except R15

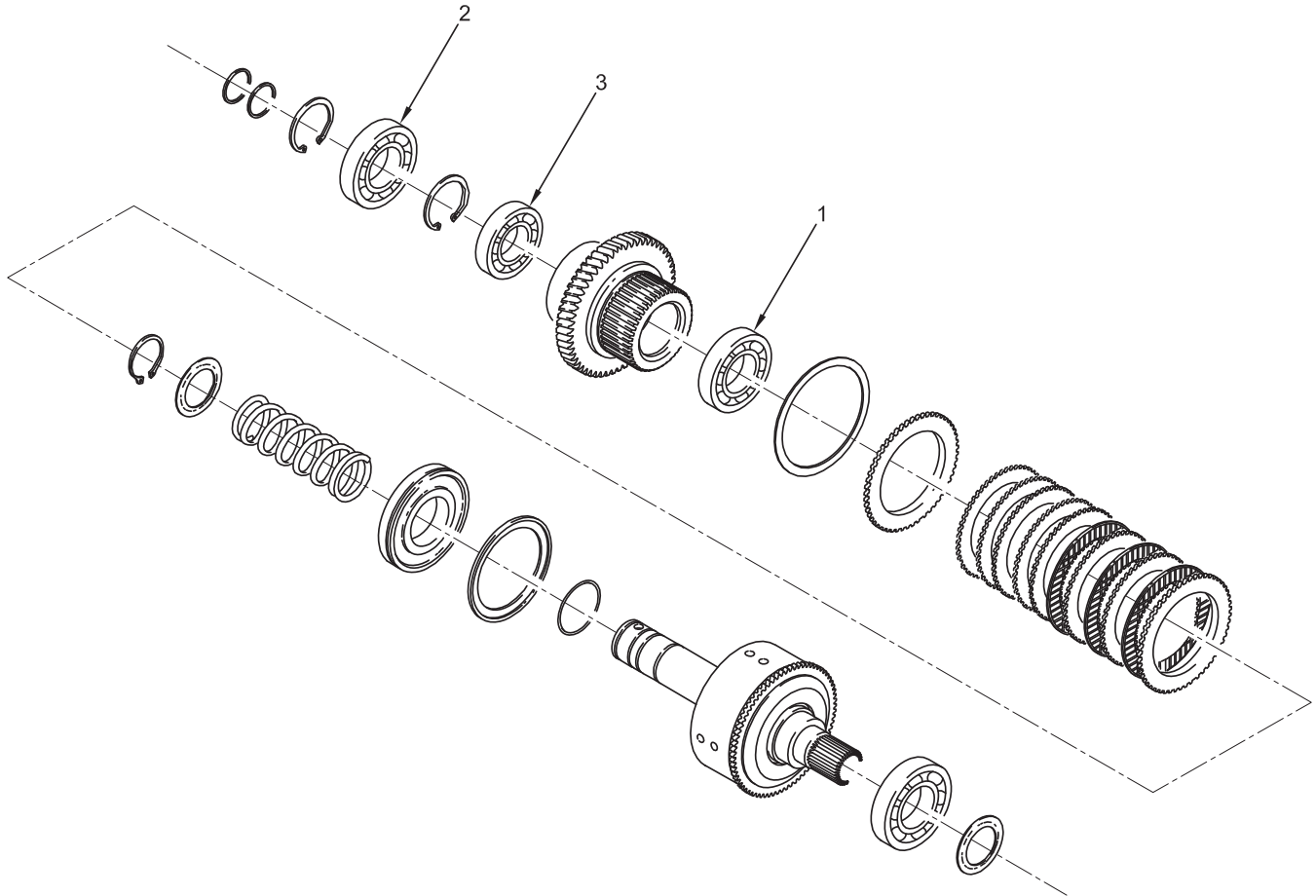


Note: Only parts with item numbers are actually included in this Service Kit. All other parts are shown for reference only.

Item	Part No.	Description	Qty	Item	Part No.	Description	Qty
1	44308W	Bearing, Ball	1	3	2300831W	Bearing, Ball	1
2	41208W	Bearing, Ball	1				

Input Clutch Shaft Bearing Kit: 2313008

Gear Ratios				PFO	PFR	Low PTO Input	High PTO Input	Tractor Code
30:1	39:1	40:1	61:1					
			X	X		X		R15
X	X			X			X	All
X			X	X			X	All

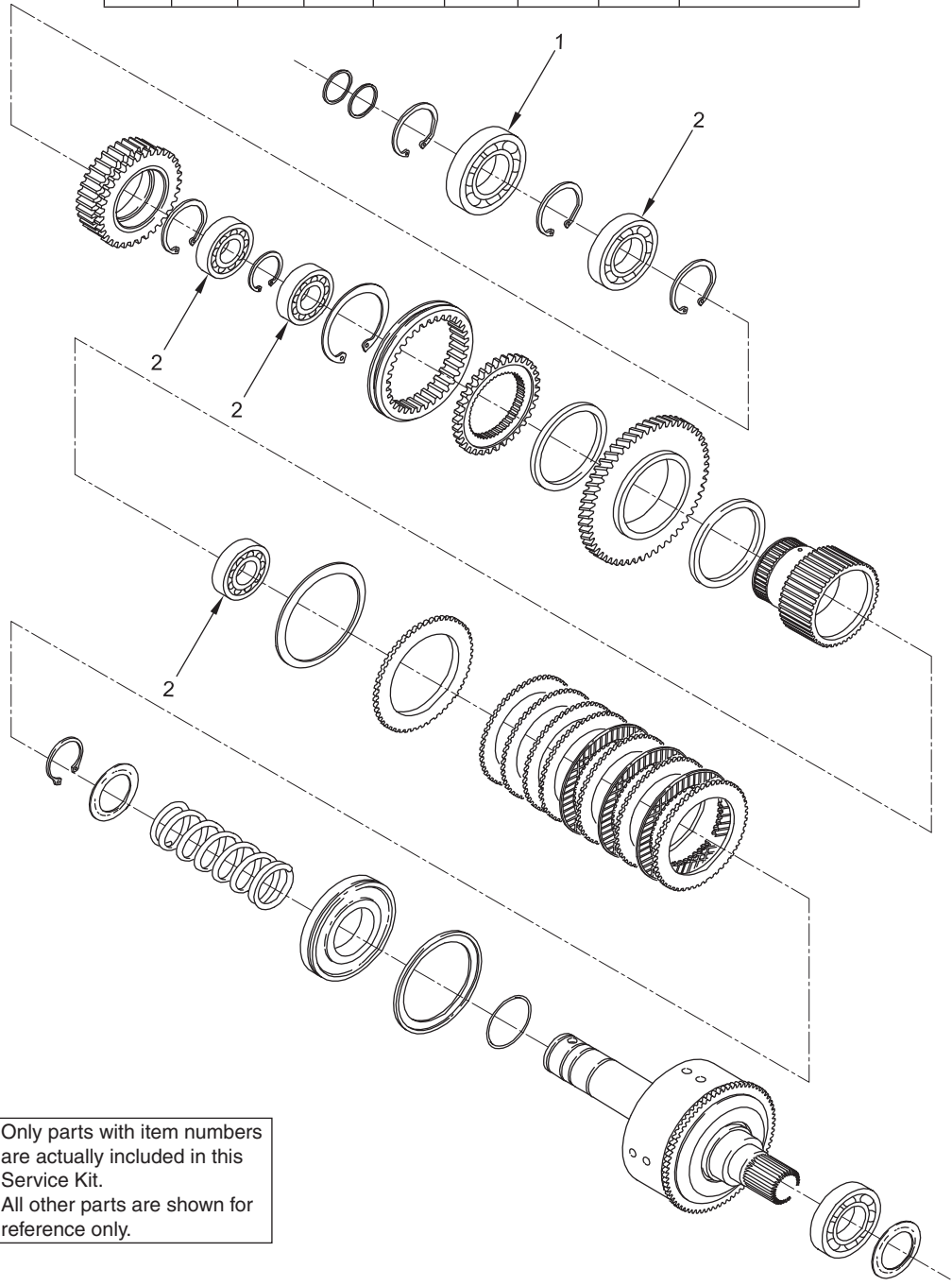


Note: Only parts with item numbers are actually included in this Service Kit. All other parts are shown for reference only.

Item	Part No.	Description	Qty	Item	Part No.	Description	Qty
1	44308W	Bearing, Ball	1	3	2300831W	Bearing, Ball	2
2	41208W	Bearing, Ball	1				

Input Clutch Shaft Bearing Kit: 2313009

Gear Ratios				PFO	PFR	Low PTO Input	High PTO Input	Tractor Code
30:1	39:1	40:1	61:1					
			X		X	X		R15
		X	X		X	X		All Except R15
	X				X	X		All Except R15
	X	X			X		X	All
		X	X		X		X	All



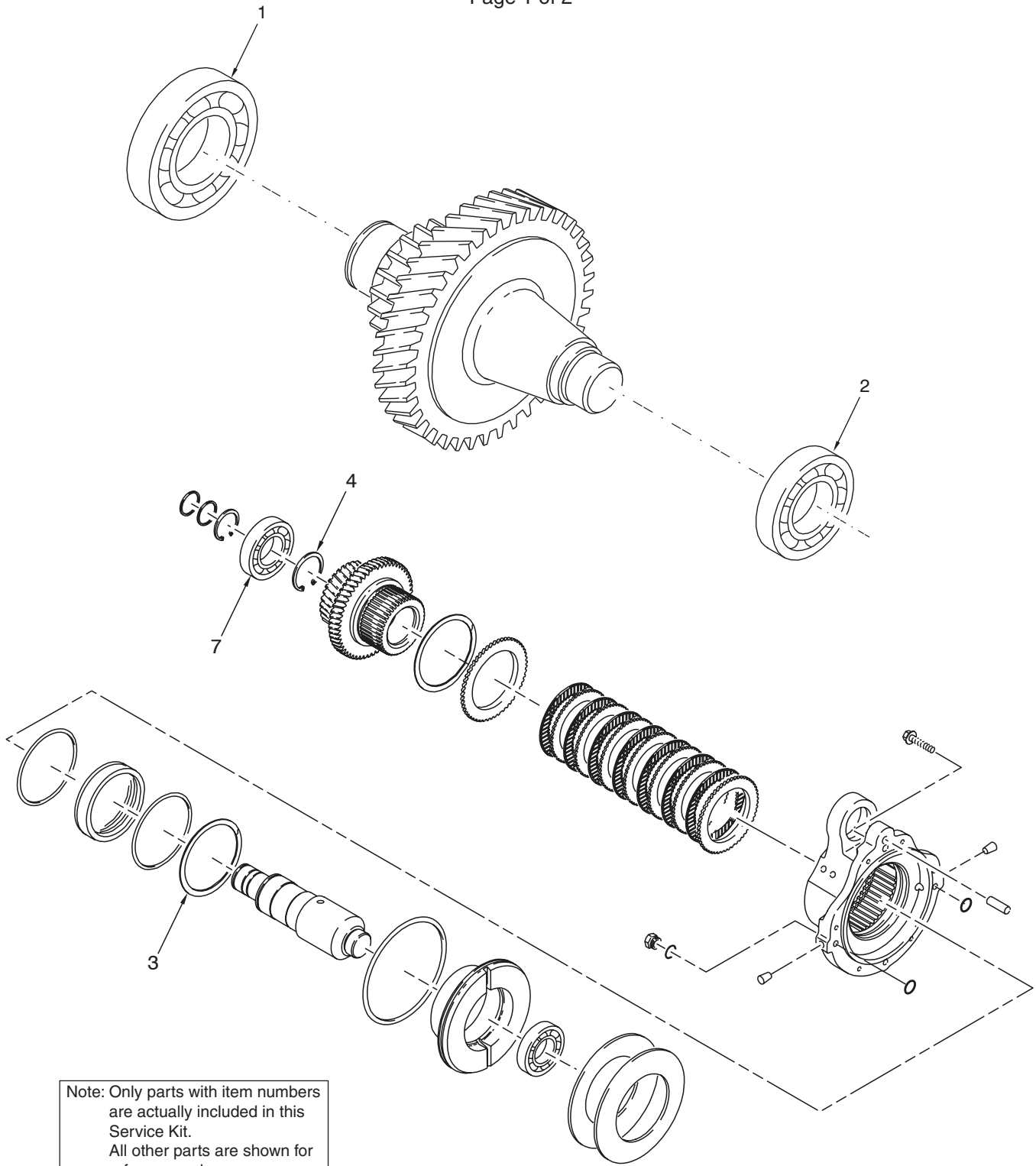
Note: Only parts with item numbers are actually included in this Service Kit. All other parts are shown for reference only.

Item	Part No.	Description	Qty	Item	Part No.	Description	Qty
1	41208W	Bearing, Ball	1	2	2300831W	Bearing, Ball	4

Intentionally Blank

**Clutch, Brake and Intermediate Shaft
Bearing & Seal Kit: 2313010**

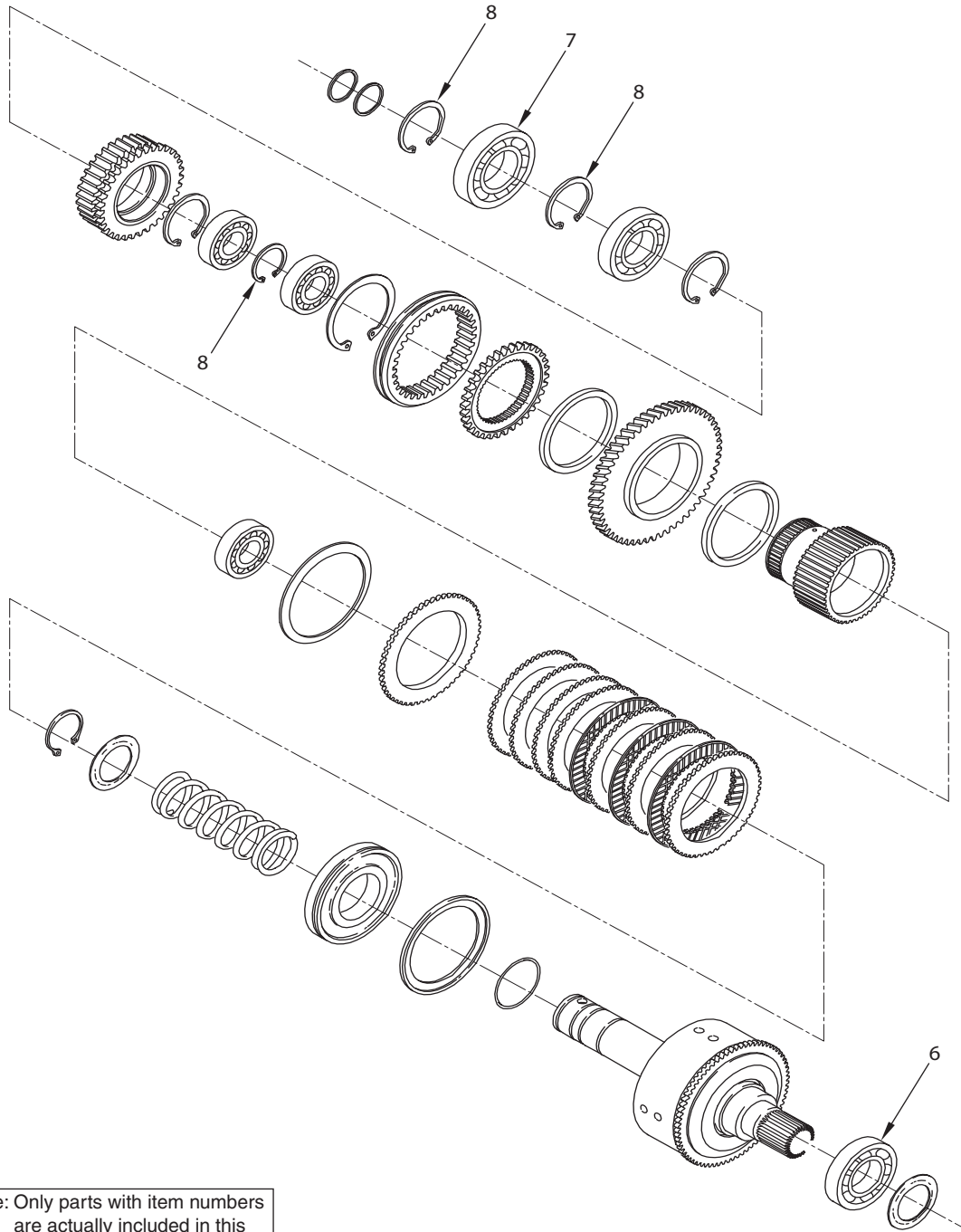
Page 1 of 2



Note: Only parts with item numbers are actually included in this Service Kit. All other parts are shown for reference only.

Item	Part No.	Description	Qty	Item	Part No.	Description	Qty
1	41308W	Bearing, Ball	1	3	139385W	Ring, Snap	1
2	43206W	Bearing, Ball	1	4	1314580W	Ring, Sanp	1

**Clutch, Brake and Intermediate Shaft
Bearing & Seal Kit: 2313010**

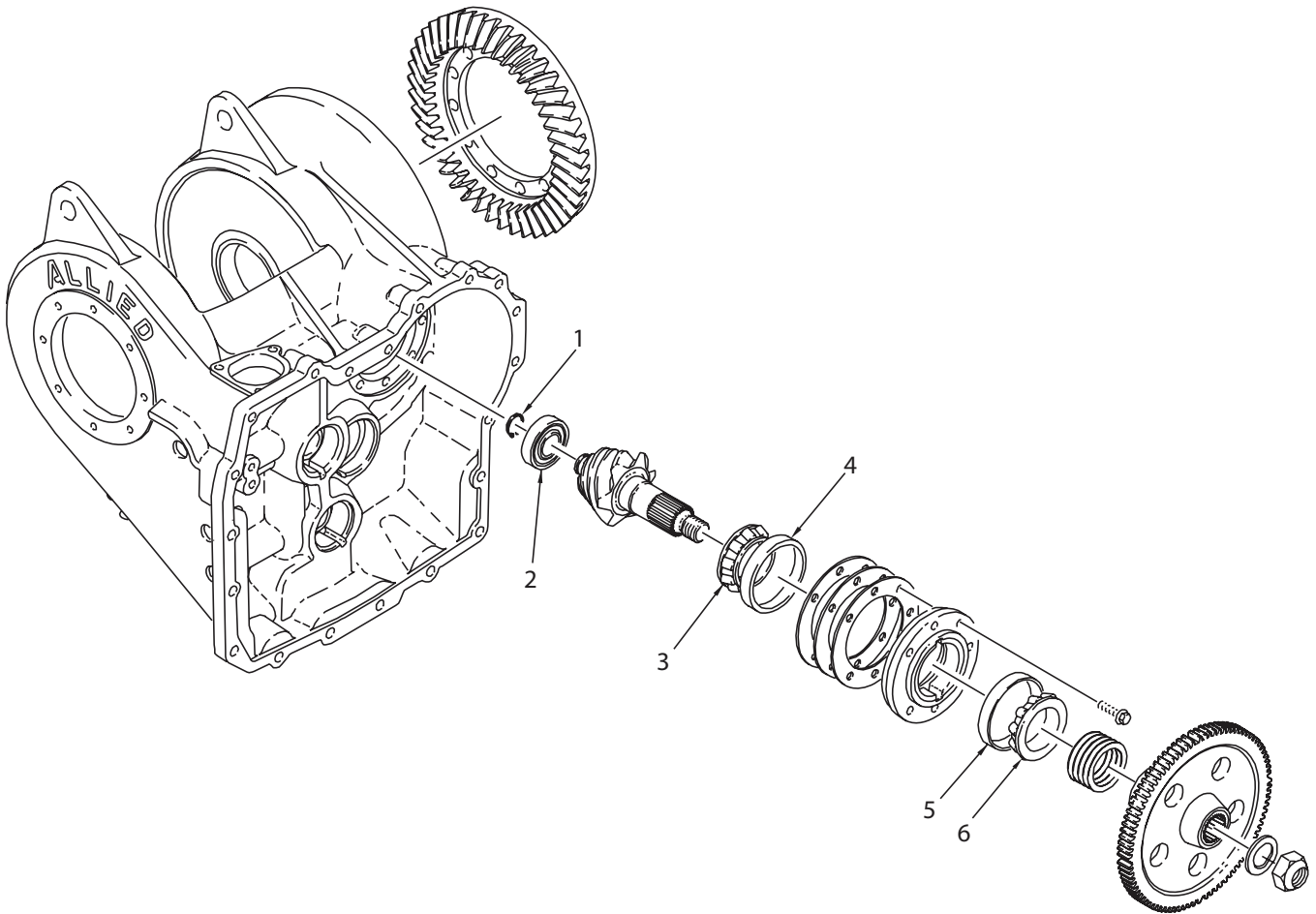


Note: Only parts with item numbers are actually included in this Service Kit. All other parts are shown for reference only.

Item	Part No.	Description	Qty	Item	Part No.	Description	Qty
5	313022W	Adhesive (Not Shown)	AR	7	41208W	Bearing, Ball	2
6	44310W	Bearing, Ball	1	8	12891W	Ring, Snap	3

**Ring/Pinion, Drum and Freespool Shaft
Bearing & Seal Kit: 2313011**

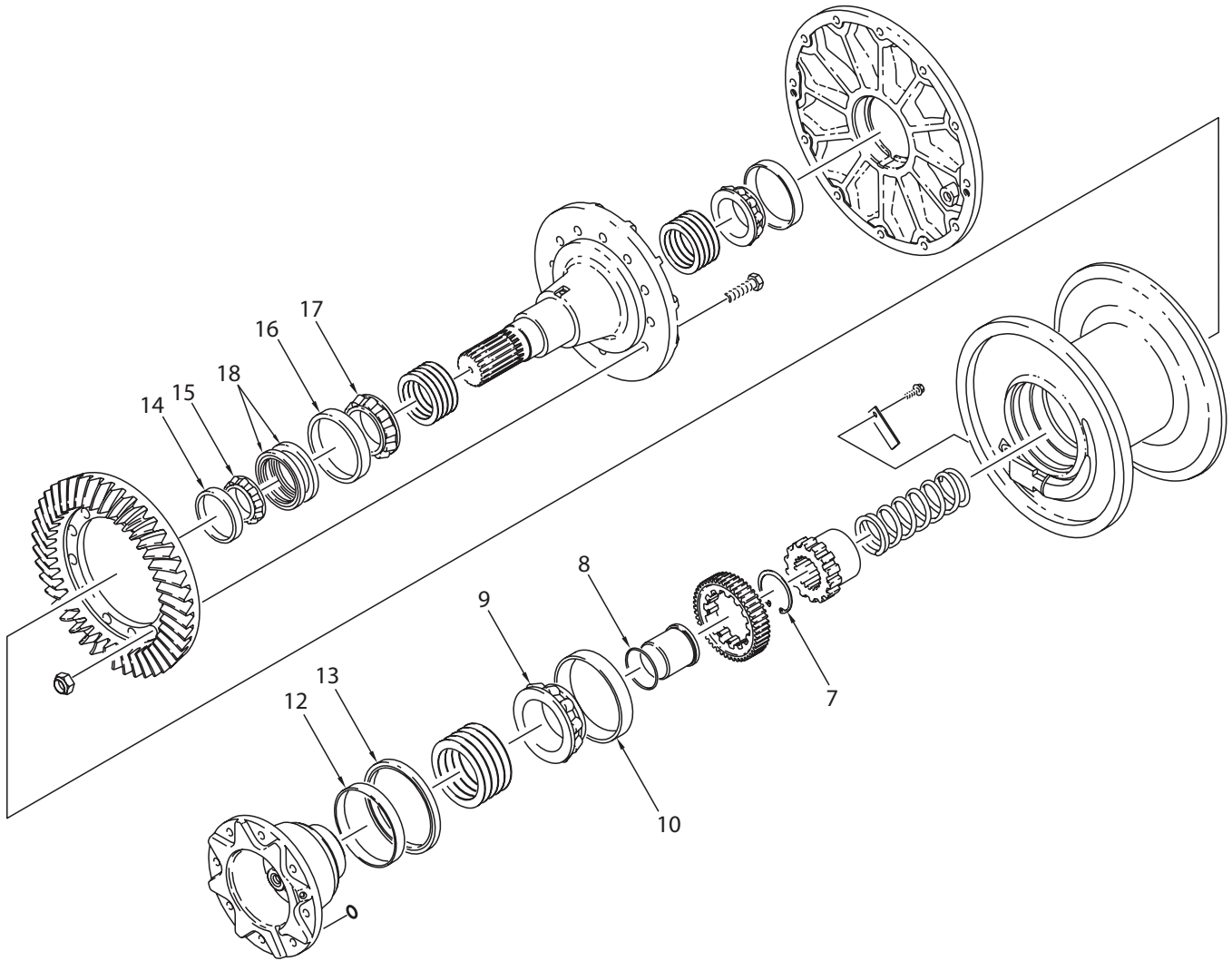
Page 1 of 2



Note: Only parts with item numbers are actually included in this Service Kit. All other parts are shown for reference only.

Item	Part No.	Description	Qty	Item	Part No.	Description	Qty
1	240683W	Ring, Snap	1	6	2300494W	Cone, Roller Bearing	1
2	296844W	Bearing, Roller	1	7	37591W	Ring, Snap	1
3	2300492W	Cone, Roller Bearing	1	8	16299	O-Ring	1
4	2300496W	Cup, Roller Bearing	1	9	1314686W	Cone, Roller Bearing	1
5	2300493W	Cup, Roller Bearing	1				

**Ring/Pinion, Drum and Freespool Shaft
Bearing & Seal Kit: 2313011**



Note: Only parts with item numbers are actually included in this Service Kit.
All other parts are shown for reference only.

Item	Part No.	Description	Qty	Item	Part No.	Description	Qty
10	1314685W	Cup, Roller Bearing	1	15	137155W	Cone, Roller Bearing	1
11	313022W	Adhesive (Not Shown)	1	16	30190W	Cup, Roller Bearing	2
12	1314777W	Sleeve, Wear	1	17	1314483W	Cone, Roller Bearing	2
13	1314783W	Seal, Oil	1	18	1314704W	Seal, Oil	2
14	137153W	Cup, Roller Bearing	1				

Intentionally Blank

Suggested Spares Guide

Recommended Service Kits.....	6-2
• Brake Assembly Kit, P/N 2300576W.....	6-2
• Clutch Assembly Kit, P/N 2303047W.....	6-3
• Input Clutch Shaft Bearing Kit, P/N 2313007.....	6-3
• Input Clutch Shaft Bearing Kit, P/N 2313008.....	6-4
• Input Clutch Shaft Bearing Kit, P/N 2313009.....	6-4
• Clutch, Brake and Intermediate Shaft Bearing & Seal Kit, P/N 2313010.....	6-4
• Ring/Pinion, Drum and Freespool Shaft Bearing & Seal Kit, P/N 2313011.....	6-5
• Miscellaneous Parts.....	6-5
• Tool Kits	6-6
• Diagnostic Tools	6-6



W3C Towing Winch

Recommended Service Kits

The following pages list the service kits that are available for your Allied W3C Winch. Each kit includes all parts listed in the table.

Pages 6-2 and 6-3 include a Brake Assembly Kit and a Clutch Assembly Kit. Order these kits in preparation for the 5,000 hour scheduled maintenance.

Pages 6-3 and 6-4 contain three Input Clutch Shaft Bearing Kits. Select the kit number relevant for your winch, and order a quantity of kit(s) necessary in preparation for the 10,000 hour scheduled maintenance.

Pages 6-4 and 6-5 contain a Clutch, Brake and Intermediate Shaft Bearing & Seal Kit, and a Ring/Pinion, Drum and Freespool Shaft Bearing & Seal Kit. Order these kits in preparation for the 10,000 hour scheduled maintenance.

Pages 6-5 and 6-6 contain a list of Miscellaneous Parts, a list of Tool Kits and a list of Diagnostic Tools, which will help you install and maintain your winch(es).

Note: Allied winch parts manuals are available for free download at <http://www.alliedsystems.com/pubs/pubs.htm>.

Brake Assembly Kit, P/N: 2300576W

Applies to: All		See Section 5 in Parts Manual	Order Quantity
Service Interval: Every 5,000 hours			
Allied P/N	Description	Quantity in Kit	
2300576W	Brake Assembly Kit	7	
2304873W	. Plate, Friction	7	
2304874W	. Plate, Separator	1	
86596W	. O-Ring	1	
87287W	. O-Ring	1	
211564	. O-Ring	1	
39756W	. O-Ring	1	
346677W	. Ring, Sealing	2	
60653W	. O-Ring	1	
16484W	.O-Ring	1	



Suggested Spares Guide

Clutch Assembly Kit, P/N: 2303047W

Applies to: All		See Section 5 in Parts Manual	Order Quantity
Service Interval: Every 5,000 hours			
Allied P/N	Description	Quantity in Kit	Order Quantity
2303047W	Clutch Assembly Kit		
2304873W	. Plate, Friction	5	
2304874W	. Plate, Separator	10	
1314447W	. Spring, Clutch	1	
334402W	. Seal, Clutch Pack	1	
140597W	. O-Ring	1	
44503W	. Seal, Oil	1	
346677W	. Ring, Sealing	2	
1314549W	. Spring, Guide	1	
16484W	. O-Ring (Used in Control Valve)	3	
100153W	. O-Ring (Used in Control Valve)	6	
313022W	. Adhesive (Not Shown)	1	
334480W	. Snap Ring, EXT.	1	
2304919W	. Ring	1	

Note: Inspect all hydraulic hoses during the 5,000 hour overhaul. Replace hoses as required.

Download Allied winch parts manuals at <http://www.alliedsystems.com/pubs/pubs.htm>.

Input Clutch Shaft Bearing Kit, P/N: 2313007

Applies to:	Gear Ratios				PFO	PFR	Low PTO Input	High PTO Input	Tractor Code	See Section 5 in Parts Manual
	30:1	39:1	40:1	61:1						
	X	X								
		X	X	X		X		All Except R15		
Service Interval: Every 10,000 hours										
Allied P/N	Description	Quantity in Kit	Order Quantity							
2313007	Input Clutch Shaft Bearing Kit									
44308W	. Bearing, Ball	1								
41208W	. Bearing, Ball	1								
2300831W	. Bearing, Ball	1								



Suggested Spares Guide

Input Clutch Shaft Bearing Kit, P/N: 2313008

Applies to:	Gear Ratios				PFO	PFR	Low PTO Input	High PTO Input	Tractor Code	See Section 5 in Parts Manual
	30:1	39:1	40:1	61:1						
			X	X		X		R15		
X	X			X			X	All		
X			X	X			X	All		
Service Interval: Every 10,000 hours										
Allied P/N	Description								Quantity in Kit	Order Quantity
2313007	Input Clutch Shaft Bearing Kit									
44308W	. Bearing, Ball								1	
41208W	. Bearing, Ball								1	
2300831W	. Bearing, Ball								2	

Input Clutch Shaft Bearing Kit, P/N: 2313009

Applies to:	Gear Ratios				PFO	PFR	Low PTO Input	High PTO Input	Tractor Code	See Section 5 in Parts Manual
	30:1	39:1	40:1	61:1						
			X		X	X		R15		
		X	X		X	X		All Except R15		
	X				X	X		All Except R15		
	X	X			X		X	All		
		X	X		X		X	All		
Service Interval: Every 10,000 hours										
Allied P/N	Description								Quantity in Kit	Order Quantity
2313009	Input Clutch Shaft Bearing Kit									
41208W	. Bearing, Ball								1	
2300831W	. Bearing, Ball								4	

Clutch, Brake and Intermediate Shaft Bearing & Seal Kit, P/N: 2313010

Applies to: All		See Section 5 in Parts Manual	
Service Interval: Every 10,000 hours			
Allied P/N	Description	Quantity in Kit	Order Quantity
2313010	Clutch, Brake and Intermediate Shaft Bearing & Seal Kit		
41308W	. Bearing, Ball	1	
43206W	. Bearing, Ball	1	
139385W	. Ring, Snap	1	
1314580W	. Ring, Sanp	1	
313022W	. Adhesive (Not Shown)	AR	
44310W	. Bearing, Ball	1	
41208W	. Bearing, Ball	2	
12891W	. Ring, Snap	3	



Suggested Spares Guide

Ring/Pinion, Drum and Freespool Shaft Bearing & Seal Kit, P/N: 2313011

Applies to: All Service Interval: Every 10,000 hours		See Section 5 in Parts Manual	
Allied P/N	Description	Quantity in Kit	Order Quantity
2313011	Ring and Pinion, Drum and Freespool Shaft Bearing & Seal Kit		
240683W	. Ring, Snap	1	
296844W	. Bearing, Roller	1	
2300492W	. Cone, Roller Bearing	1	
2300496W	. Cup, Roller Bearing	1	
2300493W	. Cup, Roller Bearing	1	
2300494W	. Cone, Roller Bearing	1	
37591W	. Ring, Snap	1	
16299	. O-Ring	1	
1314686W	. Cone, Roller Bearing	1	
1314685W	. Cup, Roller Bearing	1	
313022W	. Adhesive (Not Shown)	1	
1314777W	. Sleeve, Wear	1	
1314783W	. Seal, Oil	1	
137153W	. Cup, Roller Bearing	1	
137155W	. Cone, Roller Bearing	1	
30190W	. Cup, Roller Bearing	2	
1314483W	. Cone, Roller Bearing	2	
1314704W	. Seal, Oil	2	

Miscellaneous Parts

In addition to the kits listed above and on the previous pages, Allied Systems Company recommends that you stock the following items as applicable to your winch. Check the parts manual to determine the part number for your particular winch in the section indicated.

Allied P/N	Description	Parts Manual Section	Order Quantity
varies	Related components to Drive Shafts and/or PTO Assemblies	Section 1	
varies	Seal(s), Clutch Assemblies	Section 2	
varies	Bearing(s), Clutch Assemblies and Brake Assemblies	Section 2	
varies	Cables, Control	Section 3	
varies	Levers, Control	Section 3	
varies	Pump, Hydraulic	Section 3	
varies	Valves, Control Valve Assemblies	Section 3	
varies	Assembly, Wire Rope	Section 4	
varies	O-Rings, Freespool Lock	Section 4	
1314656W	Pin, Drawbar	Section 4	
2304161W	Pin, Extended Drawbar (Dresser/Dressta TD7H/8H/9H)	Section 4	



Suggested Spares Guide

Tool Kits

Order these Tool Kits as required for installation, maintenance and service of your winch(es).

Allied P/N	Description	Order Quantity
588466	Socket Set, 3/8DR 3/8" to 7/8" STD/Deep, 22 PC	
588467	Socket Set, 1/2DR 3/8" to 1-1/4" STD/Deep, 30 PC	
588468	Socket Set, 3/4DR 7/8" to 2-3/8" STD, 29 PC	
588469	Wrench Set, 5/16" to 2-1/2", 31 PC	
588527	Hex Key Sets, .025" to 5/8", 18 PC	
588530	Socket Sets, 3/8DR 6mm-19mm 12 Point	
588529	Socket Sets, 1/2DR 10mm-26mm 12 Point	
588528	Wrench Sets, 7mm-24mm, 18 PC	
588526	Hex Key Sets, .07mm-17mm, 15 PC	

Diagnostic Tools

Order as Required

Order these Tools as required for maintenance and service of your winch(es).

Allied P/N	Description	Order Quantity
906601	0 to 8700 PSI Digital Pressure Gauge W/Female QD Connector	
69782	72" Hose Assembly W/QD Connectors Both Ends	
70381	144" Hose Assembly W/QD Connectors Both Ends	
69778	Multi-Meter, 12 Function	

69778
Multi-Meter, 12 Function

AC/DC Voltage & Current,
Resistance, Capacitance,
Frequency, Type K & IR
Temperature, Diode/Continuity,
Duty Cycle Non-Contact
InfraRed Thermometer
CAT III Test Leads
Type K Bead Wire Temp Probe

QD Male

144"

QD Female

70381
Kit, Hose Assembly, W/QD Both Ends

QD Male

72"

QD Female

69782
Kit, Hose Assembly, W/QD Both Ends

QD Female

906601
Kit, Digital Pressure Gauge
W/ Female QD Connector
0 to 8700 PSI

Numerical Index

16299 - 1314415W7-2

1314415W - 1314590W.....7-3

1314590W - 14594W.....7-4

14594W - 16334W.....7-5

16334W - 16487W.....7-6

16487W - 18007W.....7-7

18007W - 221292W.....7-8

221292W - 2300285W.....7-9

2300285W - 2301077W.....7-10

2301077W - 2301859W.....7-11

2301859W - 2302686W.....7-12

2302686W - 2303985W.....7-13

2303985W - 293645W.....7-14

293645W - 39756W.....7-15

398599W - 9033W.....7-16

9033W - Y17C-12327-17

7-2

Part No.	Page No.	Item	Part No.	Page No.	Item	Part No.	Page No.	Item	Part No.	Page No.	Item
16299	5-12	8	100153W	3-13	25	12949W	3-94	32	1302046W	3-145	4
16299	6-5		100153W	3-15	2	12949W	3-95	32	1302047W	3-142	3
69778	6-6		100153W	3-15	25	12949W	3-97	32	1302047W	3-143	3
69782	6-6		100153W	3-17	2	12949W	3-99	32	1302047W	3-145	3
70381	6-6		100153W	3-17	22	12949W	3-101	32	1302048W	3-142	2
209147	3-11	29	100153W	3-19	4	12949W	3-103	32	1302048W	3-143	2
209147	3-17	29	100153W	3-21	2	12949W	3-107	32	1302048W	3-145	2
211564	5-4	5	100153W	3-23	2	12949W	3-108	32	1302049W	3-142	1
211564	6-2		100153W	3-25	4	129563W	1-29	20	1302049W	3-143	1
225871	3-95	44	100153W	3-27	2	129563W	1-30	10	1302049W	3-145	1
228131	3-148	8	100153W	3-29	4	129563W	1-31	10	1306001W	3-142	14
588466	6-6		100153W	3-31	2	129563W	1-33	10	1306001W	3-143	14
588467	6-6		100153W	3-33	4	129563W	1-35	10	1306001W	3-145	14
588468	6-6		100153W	3-35	2	129563W	3-93	22	1306002W	3-142	12
588469	6-6		100153W	3-37	4	129563W	3-94	22	1306002W	3-143	12
588526	6-6		100153W	3-39	2	129563W	3-95	22	1306002W	3-145	12
588527	6-6		100153W	3-41	2	129563W	3-97	22	1306003W	3-142	11
588528	6-6		100153W	5-5	10	129563W	3-99	22	1306003W	3-143	11
588529	6-6		100153W	6-3		129563W	3-101	22	1306003W	3-145	11
588530	6-6		104681W	1-3	26	129563W	3-103	22	1308451W	1-52	4
906601	6-6		104681W	1-5	26	129563W	3-105	22	1308492W	1-44	11
2217780	1-41	3	104681W	1-7	26	129563W	3-107	22	1308492W	1-45	20
2310089	1-41	6	104681W	1-9	26	129563W	3-108	22	1308493W	1-44	19
2310091	1-29	12	104681W	1-11	26	129563W	3-111	23	1308493W	1-45	25
2310139	1-30	12	104681W	1-13	26	129563W	3-113	23	1308494W	1-44	18
2310139	1-31	12	104681W	1-15	26	129563W	3-115	23	1308494W	1-45	24
2310139	1-33	12	104681W	1-17	26	129563W	3-117	23	1310820W	3-3	10
2310139	1-35	12	104681W	1-19	26	129563W	3-118	11	1310820W	3-5	10
2310199	1-31	1	104681W	1-21	26	129563W	3-119	4	1310820W	3-19	10
2310199	1-33	1	104681W	1-23	26	129563W	3-121	23	1310820W	3-25	10
2310199	1-35	1	104681W	1-25	26	129563W	3-123	23	1310820W	3-29	10
2310299	1-30	1	110174W	3-7	21	129563W	3-125	23	1310820W	3-33	10
2310485	1-33	21	110174W	3-13	21	129563W	3-127	23	1310821W	3-3	12
2310485	1-35	21	110174W	3-21	21	129563W	3-129	23	1310821W	3-5	12
2310486	1-33	22	110174W	3-23	21	129563W	3-131	23	1310821W	3-7	10
2310486	1-35	22	110174W	3-27	21	129563W	3-133	23	1310821W	3-9	10
2310848	1-33	23	110174W	3-31	21	129563W	3-135	23	1310821W	3-11	9
2310848	1-35	23	110174W	3-35	21	129563W	3-137	23	1310821W	3-13	10
2310849	1-33	24	110174W	3-37	20	129563W	3-139	23	1310821W	3-15	10
2310849	1-35	24	110174W	3-39	21	129563W	3-141	23	1310821W	3-17	9
2310850	1-33	25	110174W	3-41	21	12966W	2-9	15	1310821W	3-19	12
2310850	1-35	25	127045W	3-3	31	1300785W	3-109	1	1310821W	3-21	10
2310851	1-33	26	127045W	3-5	31	1300785W	3-142		1310821W	3-23	10
2310851	1-35	26	127045W	3-7	29	1300812W	3-3	25	1310821W	3-25	12
2310852	1-33	27	127045W	3-9	29	1300812W	3-19	25	1310821W	3-27	10
2310852	1-35	27	127045W	3-13	29	1300812W	3-25	25	1310821W	3-29	12
2310853	1-33	28	127045W	3-15	29	1300812W	3-29	25	1310821W	3-31	10
2310853	1-35	28	12891W	2-3	1	1300812W	3-33	25	1310821W	3-33	12
2311330	1-53	5	12891W	2-5	1	1300812W	3-37	23	1310821W	3-35	10
2311481	1-53	4	12891W	2-7	1	1302039W	3-142	20	1310821W	3-37	12
2312134	3-148	16	12891W	2-9	1	1302039W	3-143	20	1310821W	3-39	10
2312191	3-148	1	12891W	2-11	1	1302040W	3-142	10	1310821W	3-41	10
2312233	3-148	14	12891W	2-13	1	1302040W	3-143	10	1314401W	3-93	27
2312616	1-35	2	12891W	2-15	1	1302040W	3-145	10	1314401W	3-94	27
2312720	1-29	11	12891W	2-17	1	1302041W	3-142	9	1314401W	3-95	27
2312720	1-35	11	12891W	2-19	1	1302041W	3-143	9	1314401W	3-97	27
2313007	6-3		12891W	2-21	1	1302041W	3-145	9	1314401W	3-99	27
2313007	6-4		12891W	2-23	1	1302042W	3-142	8	1314401W	3-101	27
2313009	6-4		12891W	2-25	1	1302042W	3-143	8	1314401W	3-103	27
2313010	6-4		12891W	2-27	1	1302042W	3-145	8	1314401W	3-105	27
2313011	6-5		12891W	2-29	1	1302043W	3-142	7	1314401W	3-107	27
2313164	1-35	29	12891W	2-31	1	1302043W	3-143	7	1314401W	3-108	27
2313165	1-35	30	12891W	2-33	1	1302043W	3-145	7	1314401W	3-109	2
100153W	3-3	4	12891W	2-35	1	1302044W	3-142	6	1314401W	3-119	3
100153W	3-5	4	12891W	2-37	1	1302044W	3-143	6	1314414W	3-3	16
100153W	3-7	2	12891W	2-39	1	1302044W	3-145	6	1314414W	3-5	16
100153W	3-9	2	12891W	5-11	8	1302045W	3-142	5	1314414W	3-19	16
100153W	3-9	25	12891W	6-4		1302045W	3-143	5	1314414W	3-25	16
100153W	3-11	2	12921W	2-11	15	1302045W	3-145	5	1314414W	3-29	16
100153W	3-11	22	12921W	2-13	15	1302046W	3-142	4	1314414W	3-33	16
100153W	3-13	2	12949W	3-93	32	1302046W	3-143	4	1314415W	2-15	4B

7-3

Part No.	Page No.	Item	Part No.	Page No.	Item	Part No.	Page No.	Item	Part No.	Page No.	Item
1314415W	2-17	4B	1314454W	1-13	9	1314512W	3-25	26	1314564W	3-101	30
1314415W	2-19	4B	1314454W	1-15	28	1314512W	3-29	26	1314564W	3-103	30
1314415W	2-21	4B	1314454W	1-17	28	1314512W	3-33	26	1314564W	3-105	30
1314415W	2-23	4B	1314454W	1-19	28	1314513W	3-19	29	1314564W	3-107	30
1314415W	2-25	4B	1314454W	1-21	28	1314513W	3-25	29	1314564W	3-108	30
1314418W	2-15	4A	1314454W	1-23	28	1314513W	3-29	29	1314564W	3-109	30
1314418W	2-17	4A	1314454W	1-25	28	1314513W	3-33	29	1314564W	3-111	2
1314418W	2-19	4A	1314456W	2-41	1	1314522W	3-90		1314564W	3-113	2
1314418W	2-21	4A	1314459W	2-41	1	1314547W	1-3	19	1314564W	3-115	2
1314418W	2-23	4A	1314462W	2-41	12	1314547W	1-5	19	1314564W	3-117	2
1314418W	2-25	4A	1314467W	2-41	11	1314547W	1-7	19	1314564W	3-121	2
1314418W	2-27	4	1314468W	2-41	11	1314547W	1-9	19	1314564W	3-123	2
1314418W	2-29	4	1314469W	2-3	5	1314547W	1-11	19	1314564W	3-125	2
1314418W	2-31	4	1314470W	2-45	23	1314547W	1-13	19	1314564W	3-127	2
1314418W	2-33	4	1314471W	2-41	7	1314547W	1-15	19	1314564W	3-129	2
1314418W	2-35	4	1314473W	2-41	6	1314547W	1-17	19	1314564W	3-131	2
1314418W	2-37	4	1314473W	2-42	6	1314547W	1-19	19	1314564W	3-133	2
1314419W	2-3	4B	1314473W	2-43	6	1314547W	1-21	19	1314564W	3-135	2
1314420W	2-15	12	1314474W	2-41	6	1314547W	1-23	19	1314564W	3-137	2
1314420W	2-17	12	1314474W	2-42	6	1314547W	1-25	19	1314564W	3-139	2
1314420W	2-19	12	1314474W	2-43	6	1314549W	2-3	12	1314564W	3-141	2
1314420W	2-21	12	1314475W	2-41	6	1314549W	2-5	12	1314566W	1-3	4
1314420W	2-23	12	1314475W	2-42	6	1314549W	2-7	12	1314566W	1-5	4
1314420W	2-25	12	1314475W	2-43	6	1314549W	2-9	10	1314566W	1-7	4
1314420W	2-27	12	1314477W	3-93	28	1314549W	2-11	10	1314566W	1-9	4
1314420W	2-29	12	1314477W	3-97	28	1314549W	2-13	10	1314566W	1-11	4
1314420W	2-31	12	1314477W	3-101	28	1314549W	5-5	8	1314566W	1-13	4
1314420W	2-33	12	1314477W	3-103	28	1314549W	6-3		1314566W	1-15	4
1314420W	2-35	12	1314477W	3-105	28	1314556W	3-43	14	1314566W	1-17	4
1314420W	2-37	12	1314477W	3-107	28	1314556W	3-45	6	1314566W	1-19	4
1314420W	2-39	12	1314479W	3-93	29	1314556W	3-47	6	1314566W	1-21	4
1314421W	1-3	6	1314479W	3-97	29	1314556W	3-49	6	1314566W	1-23	4
1314421W	1-5	6	1314479W	3-101	29	1314556W	3-51	6	1314566W	1-25	4
1314421W	1-7	6	1314479W	3-103	29	1314556W	3-53	6	1314566W	1-26	2
1314421W	1-9	6	1314479W	3-105	29	1314556W	3-55	6	1314567W	2-3	4A
1314421W	1-11	6	1314479W	3-107	29	1314556W	3-57	6	1314575W	3-43	13
1314421W	1-13	6	1314480W	1-3	3	1314556W	3-59	6	1314575W	3-65	13
1314421W	1-15	6	1314480W	1-5	3	1314556W	3-61	6	1314575W	3-69	13
1314421W	1-17	6	1314480W	1-7	3	1314556W	3-63	6	1314575W	3-75	13
1314421W	1-19	6	1314480W	1-9	3	1314556W	3-65	14	1314575W	3-79	13
1314421W	1-21	6	1314480W	1-11	3	1314556W	3-67	6	1314575W	3-83	13
1314421W	1-23	6	1314480W	1-13	3	1314556W	3-69	14	1314575W	3-87	13
1314421W	1-25	6	1314480W	1-15	3	1314556W	3-71	6	1314580W	2-15	3
1314433W	2-41	11	1314480W	1-17	3	1314556W	3-73	6	1314580W	2-17	3
1314434W	2-41	11	1314480W	1-19	3	1314556W	3-75	14	1314580W	2-19	3
1314435W	2-41	11	1314480W	1-21	3	1314556W	3-77	6	1314580W	2-21	3
1314446W	2-3	14	1314480W	1-23	3	1314556W	3-79	14	1314580W	2-23	3
1314446W	2-5	14	1314480W	1-25	3	1314556W	3-81	6	1314580W	2-25	3
1314446W	2-7	14	1314483W	2-45	22	1314556W	3-83	14	1314580W	2-27	3
1314446W	2-9	9	1314483W	5-13	17	1314556W	3-85	6	1314580W	2-29	3
1314446W	2-11	9	1314483W	6-5		1314556W	3-87	14	1314580W	2-31	3
1314446W	2-13	9	1314485W	2-45	23	1314556W	3-89	6	1314580W	2-33	3
1314447W	2-3	13	1314486W	2-45	23	1314562W	3-43	15	1314580W	2-35	3
1314447W	2-5	13	1314487W	2-45	23	1314562W	3-65	15	1314580W	2-37	3
1314447W	2-7	13	1314488W	2-45	23	1314562W	3-69	15	1314580W	2-39	3
1314447W	2-9	8	1314491W	2-45	12	1314562W	3-75	15	1314580W	5-10	4
1314447W	2-11	8	1314496W	2-45	8	1314562W	3-79	15	1314580W	6-4	
1314447W	2-13	8	1314502W	1-3	21	1314562W	3-83	15	1314586W	2-40	2
1314447W	5-5	3	1314502W	1-5	21	1314562W	3-87	15	1314589W	3-43	28
1314447W	6-3		1314502W	1-7	21	1314563W	3-43	19	1314589W	3-65	28
1314451W	1-3	10	1314502W	1-9	21	1314563W	3-65	19	1314589W	3-69	28
1314451W	1-5	10	1314502W	1-11	21	1314563W	3-69	19	1314589W	3-75	28
1314451W	1-7	10	1314502W	1-13	21	1314563W	3-75	19	1314589W	3-79	28
1314451W	1-9	10	1314502W	1-15	21	1314563W	3-79	19	1314589W	3-83	28
1314451W	1-11	10	1314502W	1-17	21	1314563W	3-83	19	1314589W	3-87	28
1314451W	1-13	10	1314502W	1-19	21	1314563W	3-87	19	1314590W	3-43	26
1314454W	1-3	9	1314502W	1-21	21	1314564W	3-93	30	1314590W	3-65	26
1314454W	1-5	9	1314502W	1-23	21	1314564W	3-94	30	1314590W	3-69	26
1314454W	1-7	9	1314502W	1-25	21	1314564W	3-95	30	1314590W	3-75	26
1314454W	1-9	9	1314503W	2-45	14	1314564W	3-97	30	1314590W	3-79	26
1314454W	1-11	9	1314512W	3-19	26	1314564W	3-99	30			

7-4

Part No.	Page No.	Item	Part No.	Page No.	Item	Part No.	Page No.	Item	Part No.	Page No.	Item
1314590W	3-83	26	1314687W	1-47	1	1314793W	3-39	32	139024W	3-123	7
1314590W	3-87	26	1314690W	1-44	4	1314796W	3-3	34	139024W	3-125	7
1314591W	3-43	25	1314690W	1-46	4	1314796W	3-5	34	139024W	3-127	7
1314591W	3-65	25	1314695W	1-51	3	1314796W	3-7	32	139024W	3-129	7
1314591W	3-69	25	1314697W	3-93	1	1314796W	3-13	32	139024W	3-131	7
1314591W	3-75	25	1314697W	3-97	1	1321665W	1-53	3	139024W	3-133	7
1314591W	3-79	25	1314697W	3-101	1	132860W	1-50	12	139024W	3-135	7
1314591W	3-83	25	1314697W	3-103	1	134803W	3-3	8	139024W	3-137	7
1314591W	3-87	25	1314697W	3-107	1	134803W	3-5	8	139024W	3-139	7
1314592W	3-43	22	1314697W	3-111	25	134803W	3-7	7	139024W	3-141	7
1314592W	3-65	22	1314697W	3-115	25	134803W	3-7	8	139024W	3-147	6
1314592W	3-69	22	1314697W	3-121	25	134803W	3-9	7	139024W	4-16	9
1314592W	3-75	22	1314697W	3-125	25	134803W	3-11	6	139385W	2-15	24
1314592W	3-79	22	1314697W	3-129	25	134803W	3-13	7	139385W	2-17	24
1314592W	3-83	22	1314697W	3-133	25	134803W	3-13	8	139385W	2-19	24
1314592W	3-87	22	1314697W	3-137	25	134803W	3-15	7	139385W	2-21	24
1314599W	3-43	23	1314697W	3-145		134803W	3-17	6	139385W	2-23	24
1314599W	3-65	23	1314698W	1-36	6	134803W	3-19	8	139385W	2-25	24
1314599W	3-69	23	1314698W	1-37	4	134803W	3-21	7	139385W	2-27	24
1314599W	3-75	23	1314704W	2-45	20	134803W	3-23	7	139385W	2-29	24
1314599W	3-79	23	1314704W	5-13	18	134803W	3-25	8	139385W	2-31	24
1314599W	3-83	23	1314704W	6-5		134803W	3-27	7	139385W	2-33	24
1314599W	3-87	23	1314728W	1-26	3	134803W	3-29	8	139385W	2-35	24
1314616W	1-3	8	1314728W	1-27	3	134803W	3-31	7	139385W	2-37	24
1314616W	1-5	8	1314732W	1-26	13	134803W	3-33	8	139385W	2-39	24
1314616W	1-7	8	1314732W	1-27	13	134803W	3-35	7	139385W	5-10	3
1314616W	1-9	8	1314738W	1-26	6	134803W	3-37	8	139385W	6-4	
1314616W	1-11	8	1314738W	1-27	6	134803W	3-39	7	139771W	3-111	43
1314616W	1-13	8	1314759W	3-93	34	134803W	3-41	7	139771W	3-113	43
1314616W	1-15	8	1314759W	3-94	34	134803W	3-108	26	139771W	3-115	43
1314616W	1-17	8	1314759W	3-95	34	134803W	3-111	44	139771W	3-117	43
1314616W	1-19	8	1314759W	3-97	34	134803W	3-113	44	140597W	2-3	16
1314616W	1-21	8	1314759W	3-99	34	134803W	3-115	44	140597W	2-5	16
1314616W	1-23	8	1314759W	3-101	34	134803W	3-117	44	140597W	2-7	16
1314616W	1-25	8	1314759W	3-103	34	134803W	3-118	5	140597W	2-9	7
1314629W	4-8	7	1314759W	3-105	34	136625W	1-3	5	140597W	2-11	7
1314629W	4-9	7	1314759W	3-107	34	136625W	1-5	5	140597W	2-13	7
1314629W	4-10	7	1314759W	3-108	34	136625W	1-7	5	140597W	5-5	5
1314629W	4-11	7	1314759W	3-109	34	136625W	1-9	5	140597W	6-3	
1314629W	4-12	4	1314759W	3-111	5	136625W	1-11	5	141908W	3-3	28
1314644W	4-12	6	1314759W	3-113	5	136625W	1-13	5	141908W	3-5	28
1314652W	4-2	1	1314759W	3-115	5	136625W	1-15	5	141908W	3-7	26
1314656W	4-2	2	1314759W	3-117	5	136625W	1-17	5	141908W	3-9	26
1314656W	4-3	2	1314759W	3-121	5	136625W	1-19	5	141908W	3-11	38
1314656W	4-4	2	1314759W	3-123	5	136625W	1-21	5	141908W	3-13	26
1314656W	6-5		1314759W	3-125	5	136625W	1-23	5	141908W	3-15	26
1314660W	3-43	6	1314759W	3-127	5	136625W	1-25	5	141908W	3-17	38
1314660W	3-65	6	1314759W	3-129	5	136625W	3-11	36	142270W	4-5	18
1314660W	3-69	6	1314759W	3-131	5	136625W	3-17	36	143004W	2-41	4
1314660W	3-75	6	1314759W	3-133	5	137153W	2-45	18	145499W	4-3	6
1314660W	3-79	6	1314759W	3-135	5	137153W	5-13	14	145499W	4-4	6
1314660W	3-83	6	1314759W	3-137	5	137153W	6-5		145499W	4-5	2
1314660W	3-87	6	1314759W	3-139	5	137155W	2-45	19	145639W	3-111	33
1314661W	4-6	2	1314759W	3-141	5	137155W	5-13	15	145639W	3-115	33
1314677W	1-36	10	1314768W	4-12	10	137155W	6-5		145639W	3-121	33
1314678W	1-36	11	1314769W	4-12	3	139024W	3-93	36	145639W	3-125	33
1314679W	1-36	12	1314777W	2-45	1	139024W	3-94	36	145639W	3-129	33
1314680W	2-45	3	1314777W	5-13	12	139024W	3-95	36	145639W	3-133	33
1314681W	2-45	3	1314777W	6-5		139024W	3-97	36	145639W	3-137	33
1314682W	2-45	3	1314783W	2-45	2	139024W	3-99	36	145641W	3-111	45
1314683W	2-45	3	1314783W	5-13	13	139024W	3-101	36	145641W	3-113	45
1314684W	2-45	3	1314783W	6-5		139024W	3-103	36	145641W	3-115	45
1314685W	2-45	5	1314793W	3-19	32	139024W	3-105	36	145641W	3-117	45
1314685W	5-13	10	1314793W	3-21	32	139024W	3-107	36	145641W	4-16	8
1314685W	6-5		1314793W	3-25	32	139024W	3-108	36	14594W	1-15	17
1314686W	2-45	4	1314793W	3-27	32	139024W	3-109	36	14594W	1-15	46
1314686W	5-12	9	1314793W	3-29	32	139024W	3-111	7	14594W	1-17	17
1314686W	6-5		1314793W	3-31	32	139024W	3-113	7	14594W	1-17	46
1314687W	1-44	1	1314793W	3-33	32	139024W	3-115	7	14594W	1-19	17
1314687W	1-45	1	1314793W	3-35	32	139024W	3-117	7	14594W	1-21	17
1314687W	1-46	1	1314793W	3-37	30	139024W	3-121	7	14594W	1-21	46

7-5

Part No.	Page No.	Item	Part No.	Page No.	Item	Part No.	Page No.	Item	Part No.	Page No.	Item
14594W	1-23	17	15004W	3-142	16	15156W	3-17	16	15483W	1-13	13
14594W	1-25	17	15004W	3-143	16	15156W	3-19	18	15483W	1-15	13
14594W	2-15	19	15004W	3-145	16	15156W	3-21	18	15483W	1-17	13
14594W	2-17	19	15004W	3-145	23	15156W	3-23	18	15483W	1-19	13
14594W	2-19	19	15004W	3-147	5	15156W	3-25	18	15483W	1-21	13
14594W	2-21	19	15004W	4-16	10	15156W	3-27	18	15483W	1-23	13
14594W	2-23	19	15005W	3-142	18	15156W	3-29	18	15483W	1-25	13
14594W	2-25	19	15005W	3-143	18	15156W	3-31	18	156133W	3-121	37
14594W	2-27	19	15005W	3-145	18	15156W	3-33	18	156133W	3-123	37
14594W	2-29	19	15024W	3-142	15	15156W	3-35	18	156133W	3-125	37
14594W	2-31	19	15024W	3-143	15	15156W	3-37	18	156133W	3-127	37
14594W	2-33	19	15024W	3-145	15	15156W	3-39	18	156133W	3-129	37
14594W	2-35	19	15030W	3-111	22	15156W	3-41	18	156133W	3-131	37
14594W	2-37	19	15030W	3-113	22	15156W	3-108	42	156133W	3-133	37
14594W	3-11	33	15030W	3-115	22	15162W	1-44	13	156133W	3-135	37
14594W	3-17	33	15030W	3-117	22	15162W	1-45	22	156133W	3-137	37
14595W	1-3	17	15030W	3-121	22	151663W	3-94	41	156133W	3-139	37
14595W	1-3	33	15030W	3-123	22	151663W	3-99	41	156133W	3-141	37
14595W	1-5	17	15030W	3-125	22	15180W	1-26	8	15860W	4-16	4
14595W	1-5	33	15030W	3-127	22	15180W	1-27	8	15860W	4-16	19
14595W	1-7	17	15030W	3-129	22	15200W	3-145	20	15887W	1-36	14
14595W	1-7	33	15030W	3-131	22	15216W	3-93	31	15887W	1-37	7
14595W	1-9	17	15030W	3-133	22	15216W	3-94	31	15887W	1-38	13
14595W	1-9	33	15030W	3-135	22	15216W	3-95	31	15887W	1-39	5
14595W	1-11	17	15030W	3-137	22	15216W	3-97	31	15893W	1-44	7
14595W	1-11	33	15030W	3-139	22	15216W	3-99	31	15893W	1-45	8
14595W	1-13	17	15030W	3-141	22	15216W	3-101	31	15893W	1-46	8
14595W	1-13	33	15055W	3-95	41	15216W	3-103	31	15893W	1-47	7
14595W	1-15	33	15058W	4-3	8	15216W	3-105	31	15923W	3-142	17
14595W	1-15	48	15058W	4-4	8	15216W	3-107	31	15923W	3-143	17
14595W	1-17	33	15058W	4-5	8	15216W	3-108	31	15923W	3-145	17
14595W	1-17	48	15062W	1-44	14	15216W	3-109	31	15932W	3-142	19
14595W	1-19	33	15062W	1-45	23	15216W	3-111	1	15932W	3-143	19
14595W	1-19	48	15119W	3-147	13	15216W	3-113	1	15932W	3-145	19
14595W	1-21	33	15125W	3-147	14	15216W	3-115	1	159W	4-3	3
14595W	1-21	48	15125W	4-16	18	15216W	3-117	1	159W	4-4	3
14595W	1-23	33	15128W	2-41	14	15216W	3-121	1	159W	4-5	3
14595W	1-23	48	15128W	4-8	3	15216W	3-123	1	16001W	3-147	8
14595W	1-25	33	15128W	4-9	8	15216W	3-125	1	16001W	4-6	10
14595W	1-25	48	15128W	4-10	3	15216W	3-127	1	16001W	4-7	9
14595W	2-39	19	15128W	4-11	11	15216W	3-129	1	16001W	4-12	16
15004W	3-93	39	15134W	3-118	8	15216W	3-131	1	16001W	4-13	6
15004W	3-94	39	15134W	3-121	35	15216W	3-133	1	16001W	4-14	6
15004W	3-95	39	15134W	3-123	35	15216W	3-135	1	16001W	4-15	6
15004W	3-97	39	15134W	3-125	35	15216W	3-137	1	162155W	3-9	21
15004W	3-99	39	15134W	3-127	35	15216W	3-139	1	162155W	3-11	19
15004W	3-101	39	15134W	3-129	35	15216W	3-141	1	162155W	3-15	21
15004W	3-103	39	15134W	3-131	35	15223W	4-3	4	162155W	3-17	19
15004W	3-105	39	15134W	3-133	35	15223W	4-4	4	16238W	3-111	16
15004W	3-107	39	15134W	3-135	35	15223W	4-5	4	16238W	3-115	16
15004W	3-108	39	15134W	3-137	35	15256W	4-13	12	16238W	3-121	16
15004W	3-109	39	15134W	3-139	35	15256W	4-14	12	16238W	3-125	16
15004W	3-111	10	15134W	3-141	35	15256W	4-15	12	16238W	3-129	16
15004W	3-111	41	15134W	4-16	16	15273W	4-2	3	16238W	3-133	16
15004W	3-113	10	15137W	1-44	2	15314W	1-3	14	16238W	3-137	16
15004W	3-113	41	15137W	1-46	2	15314W	1-5	14	16334W	3-43	5
15004W	3-115	10	15155W	3-95	42	15314W	1-7	14	16334W	3-65	5
15004W	3-115	41	15156W	1-15	36	15314W	1-9	14	16334W	3-69	5
15004W	3-117	10	15156W	1-17	36	15314W	1-11	14	16334W	3-75	5
15004W	3-117	41	15156W	1-19	36	15314W	1-13	14	16334W	3-79	5
15004W	3-121	10	15156W	1-21	36	15314W	1-15	14	16334W	3-83	5
15004W	3-123	10	15156W	1-23	36	15314W	1-17	14	16334W	3-87	5
15004W	3-125	10	15156W	1-25	36	15314W	1-19	14	16334W	3-93	32
15004W	3-127	10	15156W	1-52	14	15314W	1-21	14	16334W	3-97	32
15004W	3-129	10	15156W	3-3	18	15314W	1-23	14	16334W	3-101	32
15004W	3-131	10	15156W	3-5	18	15314W	1-25	14	16334W	3-103	32
15004W	3-133	10	15156W	3-7	18	15483W	1-3	13	16334W	3-105	32
15004W	3-135	10	15156W	3-9	18	15483W	1-5	13	16334W	3-107	32
15004W	3-137	10	15156W	3-11	16	15483W	1-7	13	16334W	3-109	32
15004W	3-139	10	15156W	3-13	18	15483W	1-9	13	16334W	3-111	3
15004W	3-141	10	15156W	3-15	18	15483W	1-11	13	16334W	3-113	3

7-6

Part No.	Page No.	Item	Part No.	Page No.	Item	Part No.	Page No.	Item	Part No.	Page No.	Item
16334W	3-115	3	16484W	1-13	34	16485W	1-13	16	16485W	3-69	21
16334W	3-117	3	16484W	1-15	18	16485W	1-15	16	16485W	3-71	13A
16334W	3-121	3	16484W	1-15	34	16485W	1-15	42	16485W	3-71	17A
16334W	3-123	3	16484W	1-15	47	16485W	1-15	49	16485W	3-73	13A
16334W	3-125	3	16484W	1-15	49	16485W	1-17	16	16485W	3-73	17A
16334W	3-127	3	16484W	1-17	18	16485W	1-17	42	16485W	3-75	21
16334W	3-129	3	16484W	1-17	34	16485W	1-17	49	16485W	3-77	13A
16334W	3-131	3	16484W	1-17	47	16485W	1-19	16	16485W	3-77	17A
16334W	3-133	3	16484W	1-17	49	16485W	1-19	42	16485W	3-79	21
16334W	3-135	3	16484W	1-19	18	16485W	1-19	49	16485W	3-81	13A
16334W	3-137	3	16484W	1-19	34	16485W	1-21	16	16485W	3-81	17A
16334W	3-139	3	16484W	1-19	49	16485W	1-21	42	16485W	3-83	21
16334W	3-141	3	16484W	1-21	18	16485W	1-21	49	16485W	3-85	13A
16483W	2-15	20	16484W	1-21	34	16485W	1-23	16	16485W	3-85	17A
16483W	2-17	20	16484W	1-21	47	16485W	1-23	42	16485W	3-87	21
16483W	2-19	20	16484W	1-21	49	16485W	1-23	49	16485W	3-89	13A
16483W	2-21	20	16484W	1-23	18	16485W	1-25	16	16485W	3-89	17A
16483W	2-23	20	16484W	1-23	34	16485W	1-25	42	16486W	3-3	33
16483W	2-25	20	16484W	1-23	49	16485W	1-25	49	16486W	3-5	33
16483W	2-27	20	16484W	1-25	18	16485W	3-3	38	16486W	3-7	31
16483W	2-29	20	16484W	1-25	34	16485W	3-3	40	16486W	3-9	31
16483W	2-31	20	16484W	1-25	49	16485W	3-5	38	16486W	3-13	31
16483W	2-33	20	16484W	2-39	20	16485W	3-5	40	16486W	3-15	31
16483W	2-35	20	16484W	3-3	2	16485W	3-7	20	16486W	3-19	31
16483W	2-37	20	16484W	3-7	22	16485W	3-7	35	16486W	3-21	31
16483W	3-3	6	16484W	3-7	25	16485W	3-7	37	16486W	3-23	31
16483W	3-3	21	16484W	3-9	22	16485W	3-9	20	16486W	3-25	31
16483W	3-3	23	16484W	3-9	37	16485W	3-9	46	16486W	3-27	31
16483W	3-5	6	16484W	3-9	40	16485W	3-13	20	16486W	3-29	31
16483W	3-5	21	16484W	3-9	48	16485W	3-13	35	16486W	3-31	31
16483W	3-5	23	16484W	3-13	22	16485W	3-13	37	16486W	3-33	31
16483W	3-7	5	16484W	3-13	25	16485W	3-15	20	16486W	3-35	31
16483W	3-7	40	16484W	3-15	22	16485W	3-15	46	16486W	3-37	29
16483W	3-13	5	16484W	3-15	37	16485W	3-19	36	16486W	3-39	31
16483W	3-13	40	16484W	3-15	40	16485W	3-21	37	16486W	3-41	31
16483W	3-19	6	16484W	3-15	48	16485W	3-23	20	16487W	3-3	13
16483W	3-19	21	16484W	3-19	2	16485W	3-23	46	16487W	3-3	29
16483W	3-19	23	16484W	3-21	22	16485W	3-25	36	16487W	3-5	13
16483W	3-21	5	16484W	3-23	22	16485W	3-27	37	16487W	3-5	29
16483W	3-21	40	16484W	3-23	37	16485W	3-29	36	16487W	3-7	12A
16483W	3-25	6	16484W	3-23	40	16485W	3-31	37	16487W	3-7	27
16483W	3-25	21	16484W	3-23	44	16485W	3-33	36	16487W	3-9	5
16483W	3-25	23	16484W	3-25	2	16485W	3-35	37	16487W	3-9	12A
16483W	3-27	5	16484W	3-27	22	16485W	3-37	34	16487W	3-9	27
16483W	3-27	40	16484W	3-29	2	16485W	3-39	37	16487W	3-13	12A
16483W	3-29	6	16484W	3-31	22	16485W	3-41	20	16487W	3-13	27
16483W	3-29	21	16484W	3-33	2	16485W	3-41	46	16487W	3-15	5
16483W	3-29	23	16484W	3-35	22	16485W	3-43	21	16487W	3-15	12A
16483W	3-31	5	16484W	3-37	2	16485W	3-45	13A	16487W	3-15	27
16483W	3-31	40	16484W	3-37	21	16485W	3-45	17A	16487W	3-19	13
16483W	3-33	6	16484W	3-39	22	16485W	3-47	13A	16487W	3-19	28
16483W	3-33	21	16484W	3-41	22	16485W	3-47	17A	16487W	3-21	12A
16483W	3-33	23	16484W	3-41	37	16485W	3-49	13A	16487W	3-21	27
16483W	3-35	5	16484W	3-41	40	16485W	3-49	17A	16487W	3-23	5
16483W	3-35	40	16484W	3-41	44	16485W	3-51	13A	16487W	3-23	12A
16483W	3-37	6	16484W	3-43	29	16485W	3-51	17A	16487W	3-23	27
16483W	3-37	26	16484W	3-65	29	16485W	3-53	13A	16487W	3-25	13
16483W	3-37	38	16484W	3-69	29	16485W	3-53	17A	16487W	3-25	28
16483W	3-39	5	16484W	3-75	29	16485W	3-55	13A	16487W	3-27	12A
16483W	3-39	40	16484W	3-79	29	16485W	3-55	17A	16487W	3-27	27
16484W	1-3	18	16484W	3-83	29	16485W	3-57	13A	16487W	3-29	13
16484W	1-3	34	16484W	3-87	29	16485W	3-57	17A	16487W	3-29	28
16484W	1-5	18	16484W	5-4	9	16485W	3-59	13A	16487W	3-31	12A
16484W	1-5	34	16484W	5-5	9	16485W	3-59	17A	16487W	3-31	27
16484W	1-7	18	16484W	6-2		16485W	3-61	13A	16487W	3-33	13
16484W	1-7	34	16484W	6-3		16485W	3-61	17A	16487W	3-33	28
16484W	1-9	18	16485W	1-3	16	16485W	3-63	13A	16487W	3-35	12A
16484W	1-9	34	16485W	1-5	16	16485W	3-63	17A	16487W	3-35	27
16484W	1-11	18	16485W	1-7	16	16485W	3-65	21	16487W	3-37	13
16484W	1-11	34	16485W	1-9	16	16485W	3-67	13A	16487W	3-39	12A
16484W	1-13	18	16485W	1-11	16	16485W	3-67	17A	16487W	3-39	27

7-7

Part No.	Page No.	Item	Part No.	Page No.	Item	Part No.	Page No.	Item	Part No.	Page No.	Item
16487W	3-41	5	16558W	3-13	4	16805W	3-5	17	169874W	3-95	35
16487W	3-41	12A	16558W	3-19	5	16805W	3-7	17	169874W	3-97	35
16487W	3-41	27	16558W	3-21	4	16805W	3-9	17	169874W	3-99	35
16540W	3-3	20	16558W	3-25	5	16805W	3-11	15	169874W	3-101	35
16540W	3-5	20	16558W	3-27	4	16805W	3-13	17	169874W	3-103	35
16540W	3-19	20	16558W	3-29	5	16805W	3-15	17	169874W	3-105	35
16540W	3-25	20	16558W	3-31	4	16805W	3-17	15	169874W	3-107	35
16540W	3-29	20	16558W	3-33	5	16805W	3-19	17	169874W	3-108	35
16540W	3-33	20	16558W	3-35	4	16805W	3-21	17	169874W	3-109	35
16541W	3-7	39	16558W	3-37	5	16805W	3-23	17	169874W	3-111	6
16541W	3-9	39	16558W	3-39	4	16805W	3-25	17	169874W	3-113	6
16541W	3-9	47	16559W	3-9	43	16805W	3-27	17	169874W	3-115	6
16541W	3-11	25	16559W	3-15	43	16805W	3-29	17	169874W	3-117	6
16541W	3-13	39	16560W	3-3	39	16805W	3-31	17	169874W	3-121	6
16541W	3-15	39	16560W	3-5	39	16805W	3-33	17	169874W	3-123	6
16541W	3-15	47	16560W	3-7	36	16805W	3-35	17	169874W	3-125	6
16541W	3-17	25	16560W	3-13	36	16805W	3-37	17	169874W	3-127	6
16541W	3-21	39	16562W	3-19	27	16805W	3-39	17	169874W	3-129	6
16541W	3-23	39	16562W	3-25	27	16805W	3-41	17	169874W	3-131	6
16541W	3-27	39	16562W	3-29	27	16815W	3-118	9	169874W	3-133	6
16541W	3-31	39	16562W	3-33	27	16828W	4-16	16	169874W	3-135	6
16541W	3-35	39	16568W	3-23	36	16829W	4-3	7	169874W	3-137	6
16541W	3-37	37	16568W	3-41	36	16829W	4-4	7	169874W	3-139	6
16541W	3-39	39	16570W	3-21	30	16829W	4-5	7	169874W	3-141	6
16541W	3-41	39	16570W	3-23	30	16909W	3-9	45	17196W	3-3	22
16542W	3-3	37	16570W	3-27	30	16909W	3-15	45	17196W	3-5	22
16542W	3-5	37	16570W	3-31	30	16909W	3-53	17	174413W	3-121	44
16542W	3-7	34	16570W	3-35	30	16909W	3-73	17	174413W	3-123	44
16542W	3-13	34	16570W	3-37	28	16983W	1-3	25	174413W	3-125	44
16542W	3-19	35	16570W	3-39	30	16983W	1-5	25	174413W	3-127	44
16542W	3-21	36	16570W	3-41	30	16983W	1-7	25	174413W	3-129	44
16542W	3-25	35	16597W	3-111	34	16983W	1-9	25	174413W	3-131	44
16542W	3-27	36	16597W	3-113	34	16983W	1-11	25	174413W	3-133	44
16542W	3-29	35	16602W	1-53	2	16983W	1-13	25	174413W	3-135	44
16542W	3-31	36	166396W	4-8	2	16983W	1-15	25	174413W	3-137	44
16542W	3-33	35	166396W	4-9	9	16983W	1-15	40	174413W	3-139	44
16542W	3-35	36	166396W	4-10	10	16983W	1-15	45	177192W	4-5	11
16542W	3-37	33	166905W	3-43	12	16983W	1-17	25	18000W	1-3	31
16542W	3-39	36	166905W	3-65	12	16983W	1-17	40	18000W	1-5	31
16542W	3-45	17	166905W	3-69	12	16983W	1-17	45	18000W	1-7	31
16542W	3-47	17	166905W	3-75	12	16983W	1-19	25	18000W	1-9	31
16542W	3-49	17	166905W	3-79	12	16983W	1-19	40	18000W	1-11	31
16542W	3-51	17	166905W	3-83	12	16983W	1-19	45	18000W	1-13	31
16542W	3-55	17	166905W	3-87	12	16983W	1-21	25	18000W	1-15	31
16542W	3-57	17	16745W	3-19	22	16983W	1-21	40	18000W	1-17	31
16542W	3-59	17	16745W	3-25	22	16983W	1-21	45	18000W	1-19	31
16542W	3-61	17	16745W	3-29	22	16983W	1-23	25	18000W	1-21	31
16542W	3-63	17	16745W	3-33	22	16983W	1-23	40	18000W	1-23	31
16542W	3-67	17	168054W	1-26	1	16983W	1-23	45	18000W	1-25	31
16542W	3-71	17	168054W	1-27	1	16983W	1-25	25	18000W	1-42	12
16542W	3-77	17	168054W	1-27	15	16983W	1-25	40	18002W	1-44	8
16542W	3-81	17	168054W	1-27	17	16983W	1-25	45	18002W	1-45	9
16542W	3-85	17	168054W	1-29	4	16983W	3-3	11	18002W	1-46	10
16542W	3-89	17	168054W	1-30	4	16983W	3-5	11	18002W	1-47	8
16544W	3-7	12	168054W	1-36	4	16983W	3-7	11	18003W	1-36	15
16544W	3-9	12	168054W	1-37	3	16983W	3-9	11	18003W	1-37	8
16544W	3-11	10	168054W	1-39	70	16983W	3-13	11	18003W	1-38	14
16544W	3-13	12	168054W	1-40	4	16983W	3-15	11	18003W	1-39	6
16544W	3-15	12	168054W	1-41	4	16983W	3-19	11	18003W	1-51	7
16544W	3-17	10	168054W	1-44	3	16983W	3-21	11	18005W	1-36	16
16544W	3-21	12	168054W	1-45	3	16983W	3-23	11	18007W	1-3	29
16544W	3-23	12	168054W	1-46	3	16983W	3-25	11	18007W	1-5	29
16544W	3-27	12	168054W	1-47	3	16983W	3-27	11	18007W	1-7	29
16544W	3-31	12	168054W	4-2	4	16983W	3-29	11	18007W	1-9	29
16544W	3-35	12	168054W	4-5	17	16983W	3-31	11	18007W	1-11	29
16544W	3-37	11	168054W	4-12	2A	16983W	3-33	11	18007W	1-13	29
16544W	3-39	12	168054W	4-13	10A	16983W	3-35	11	18007W	1-15	29
16544W	3-41	12	168054W	4-14	10A	16983W	3-39	11	18007W	1-17	29
16558W	3-3	5	168054W	4-15	10A	16983W	3-41	11	18007W	1-19	29
16558W	3-5	5	16805W	2-45	13	169874W	3-93	35	18007W	1-21	29
16558W	3-7	4	16805W	3-3	17	169874W	3-94	35	18007W	1-23	29

7-8

Part No.	Page No.	Item	Part No.	Page No.	Item	Part No.	Page No.	Item	Part No.	Page No.	Item
18007W	1-25	29	18530W	3-137	30	19901W	3-23	6	209083W	3-55	15
18007W	3-11	37	18614W	1-26	7	19901W	3-25	7	209083W	3-57	15
18007W	3-17	37	18614W	1-27	7	19901W	3-27	6	209083W	3-59	15
180959W	1-52	14	18717W	3-142	21	19901W	3-29	7	209083W	3-61	15
18155W	3-121	32	18717W	3-143	21	19901W	3-31	6	209083W	3-63	15
18155W	3-125	32	18717W	3-144	18	19901W	3-33	7	209083W	3-67	15
18155W	3-129	32	18717W	3-145	24	19901W	3-35	6	209083W	3-71	15
18155W	3-133	32	18720W	3-148	9	19901W	3-37	7	209083W	3-73	15
18155W	3-137	32	18734W	3-111	29	19901W	3-39	6	209083W	3-77	15
18374W	3-123	29	18734W	3-113	29	19901W	3-41	6	209083W	3-81	15
18374W	3-127	29	18734W	3-115	29	19924W	1-44	16	209083W	3-85	15
18374W	3-131	29	18734W	3-117	29	19928W	1-26	10	209083W	3-89	15
18374W	3-135	29	18734W	3-121	29	19928W	1-27	10	21420W	1-3	12
18374W	3-139	29	18734W	3-125	29	19928W	1-29	18	21420W	1-5	12
18425W	3-43	2	18734W	3-129	29	19928W	1-30	3	21420W	1-7	12
18425W	3-65	2	18734W	3-133	29	19928W	1-31	3	21420W	1-9	12
18425W	3-69	2	18734W	3-137	29	19928W	1-33	3	21420W	1-11	12
18425W	3-75	2	18734W	3-141	29	19928W	1-35	3	21420W	1-13	12
18425W	3-79	2	188210W	1-3	24	19928W	1-36	8	21420W	1-15	12
18425W	3-83	2	188210W	1-5	24	19928W	1-37	14	21420W	1-17	12
18425W	3-87	2	188210W	1-7	24	19928W	1-38	12	21420W	1-19	12
18425W	3-93	33	188210W	1-9	24	19928W	1-39	28	21420W	1-21	12
18425W	3-93	33	188210W	1-11	24	19928W	1-40	12	21420W	1-23	12
18425W	3-94	33	188210W	1-13	24	19928W	1-41	12	21420W	1-25	12
18425W	3-95	33	188210W	1-15	24	19928W	1-42	19	216590W	1-3	15
18425W	3-97	33	188210W	1-15	39	19928W	1-43	1	216590W	1-5	15
18425W	3-97	33	188210W	1-15	44	19928W	1-45	32	216590W	1-7	15
18425W	3-99	33	188210W	1-17	24	19928W	1-46	9	216590W	1-9	15
18425W	3-101	33	188210W	1-17	39	19928W	1-47	15	216590W	1-11	15
18425W	3-101	33	188210W	1-17	44	19928W	1-48	10	216590W	1-13	15
18425W	3-103	33	188210W	1-19	24	19928W	1-49	10	216590W	1-15	15
18425W	3-103	33	188210W	1-19	39	19928W	1-50	16	216590W	1-15	48
18425W	3-105	33	188210W	1-19	44	19928W	1-51	9	216590W	1-17	15
18425W	3-107	33	188210W	1-21	24	19928W	1-52	16	216590W	1-17	48
18425W	3-107	33	188210W	1-21	39	19959W	2-15	18	216590W	1-19	15
18425W	3-108	33	188210W	1-21	44	19959W	2-17	18	216590W	1-19	48
18425W	3-109	33	188210W	1-23	24	19959W	2-19	18	216590W	1-21	15
18425W	3-111	4	188210W	1-23	39	19959W	2-21	18	216590W	1-21	48
18425W	3-113	4	188210W	1-23	44	19959W	2-23	18	216590W	1-23	15
18425W	3-115	4	188210W	1-25	24	19959W	2-25	18	216590W	1-23	48
18425W	3-117	4	188210W	1-25	39	19959W	2-27	18	216590W	1-25	15
18425W	3-121	4	188210W	1-25	44	19959W	2-29	18	216590W	1-25	48
18425W	3-123	4	18824W	3-111	38	19959W	2-31	18	219084W	2-15	16
18425W	3-125	4	18824W	3-113	38	19959W	2-33	18	219084W	2-17	16
18425W	3-127	4	18824W	3-115	38	19959W	2-35	18	219084W	2-19	16
18425W	3-129	4	18824W	3-117	38	19959W	2-37	18	219084W	2-21	16
18425W	3-131	4	191534W	3-94	25	19959W	2-39	18	219084W	2-23	16
18425W	3-133	4	191534W	3-99	25A	200972W	2-41	5	219084W	2-25	16
18425W	3-135	4	191941W	3-93	25	201752W	3-11	27	219084W	2-27	16
18425W	3-137	4	191941W	3-97	25	201752W	3-17	27	219084W	2-29	16
18425W	3-139	4	191941W	3-101	25	201752W	3-23	45	219084W	2-31	16
18425W	3-141	4	191941W	3-103	25	201752W	3-41	45	219084W	2-33	16
18425W	4-16	15	191941W	3-105	25	201766W	3-9	4	219084W	2-35	16
184472W	2-41	10	191941W	3-107	25	201766W	3-11	4	219084W	2-37	16
184473W	2-41	9	194090W	1-15	35	201766W	3-15	4	219084W	2-39	16
18455W	1-44	10	194090W	1-17	35	201766W	3-17	4	221292W	3-45	18
18455W	1-46	12	194090W	1-19	35	201766W	3-23	4	221292W	3-47	18
184761W	3-11	32	194090W	1-21	35	201766W	3-41	4	221292W	3-49	18
184761W	3-17	32	194090W	1-23	35	201776W	3-21	26	221292W	3-51	18
18497W	3-95	26	194090W	1-25	35	201776W	3-23	26	221292W	3-53	18
18515W	3-95	43	196128W	3-148	18	201776W	3-27	26	221292W	3-55	18
18515W	3-111	32	19901W	3-3	7	201776W	3-31	26	221292W	3-57	18
18515W	3-115	32	19901W	3-5	7	201776W	3-35	26	221292W	3-59	18
18530W	3-111	30	19901W	3-7	6	201776W	3-37	25	221292W	3-61	18
18530W	3-113	30	19901W	3-9	6	201776W	3-39	26	221292W	3-63	18
18530W	3-115	30	19901W	3-11	5	201776W	3-41	26	221292W	3-67	18
18530W	3-117	30	19901W	3-13	6	209083W	3-45	15	221292W	3-71	18
18530W	3-121	30	19901W	3-15	6	209083W	3-47	15	221292W	3-73	18
18530W	3-125	30	19901W	3-17	5	209083W	3-49	15	221292W	3-77	18
18530W	3-129	30	19901W	3-19	7	209083W	3-51	15	221292W	3-81	18
18530W	3-133	30	19901W	3-21	6	209083W	3-53	15	221292W	3-85	18

7-9

Part No.	Page No.	Item	Part No.	Page No.	Item	Part No.	Page No.	Item	Part No.	Page No.	Item
221292W	3-89	18	221724W	4-11	10	2300097W	1-21	30	2300221W	2-31	22
221342W	3-93	37	221777W	1-26	1	2300097W	1-23	30	2300221W	2-33	22
221342W	3-94	37	221777W	1-27	16	2300097W	1-25	30	2300221W	2-35	22
221342W	3-95	37	221777W	1-29	6	2300125W	4-6	11	2300221W	2-37	22
221342W	3-97	37	221777W	1-30	6	2300125W	4-7	10	2300221W	2-39	22
221342W	3-99	37	221777W	1-31	6	2300174W	1-3	20	2300224W	1-44	5
221342W	3-101	37	221777W	1-33	6	2300174W	1-5	20	2300224W	1-46	5
221342W	3-103	37	221777W	1-35	6	2300174W	1-7	20	2300226W	2-15	10
221342W	3-105	37	221777W	1-36	5	2300174W	1-9	20	2300226W	2-17	10
221342W	3-107	37	221777W	1-37	6	2300174W	1-11	20	2300226W	2-19	10
221342W	3-108	37	221777W	1-38	2	2300174W	1-13	20	2300226W	2-21	10
221342W	3-109	37	221777W	1-39	1	2300174W	1-15	20	2300226W	2-23	10
221342W	3-111	8	221777W	1-40	3	2300174W	1-17	20	2300226W	2-25	10
221342W	3-113	8	221777W	1-40	8	2300174W	1-19	20	2300231W	1-50	10
221342W	3-115	8	221777W	1-41	8	2300174W	1-21	20	2300233W	1-50	11
221342W	3-117	8	221777W	1-42	6	2300174W	1-23	20	2300234W	1-50	14
221342W	3-121	8	221777W	1-44	6	2300174W	1-25	20	2300236W	1-50	4
221342W	3-123	8	221777W	1-45	7	2300179W	3-43	9	2300237W	1-48	7
221342W	3-125	8	221777W	1-46	7	2300179W	3-45	3A	2300238W	1-48	3
221342W	3-127	8	221777W	1-47	6	2300179W	3-47	3A	2300239W	1-48	8
221342W	3-129	8	221777W	1-48	2	2300179W	3-49	3A	2300241W	1-38	9
221342W	3-131	8	221777W	1-52	2	2300179W	3-51	3A	2300242W	1-38	8
221342W	3-133	8	221777W	4-2	5	2300179W	3-53	3A	2300244W	1-38	11
221342W	3-135	8	221777W	4-5	12	2300179W	3-55	3A	2300248W	1-48	1
221342W	3-137	8	221777W	4-12	2	2300179W	3-57	3A	2300266W	1-3	32
221342W	3-139	8	221777W	4-13	10	2300179W	3-59	3A	2300266W	1-5	32
221342W	3-141	8	221777W	4-14	10	2300179W	3-61	3A	2300266W	1-7	32
221342W	3-147	4	221777W	4-15	10	2300179W	3-63	3A	2300266W	1-9	32
221357W	1-26	9	221779W	1-42	3	2300179W	3-65	9	2300266W	1-11	32
221357W	1-27	9	221779W	4-9	2	2300179W	3-67	3A	2300266W	1-13	32
221466W	1-29	16	221780W	1-33	19	2300179W	3-69	9	2300266W	1-15	32
221466W	1-30	16	221780W	1-35	19	2300179W	3-71	3A	2300266W	1-17	32
221466W	1-31	16	221780W	1-36	3	2300179W	3-73	3A	2300266W	1-19	32
221466W	1-33	16	221780W	1-37	2	2300179W	3-75	9	2300266W	1-21	32
221466W	1-35	16	221780W	1-38	6	2300179W	3-77	3A	2300266W	1-23	32
221466W	1-40	5	221867W	3-142	13	2300179W	3-79	9	2300266W	1-25	32
221466W	1-41	5	221867W	3-143	13	2300179W	3-81	3A	2300277W	1-3	22
221466W	1-49	6	221867W	3-145	13	2300179W	3-83	9	2300277W	1-5	22
221466W	1-52	12	222201W	4-16	7	2300179W	3-85	3A	2300277W	1-7	22
221657W	1-52	1	222392W	3-19	30	2300179W	3-87	9	2300277W	1-9	22
221659W	1-38	1	222392W	3-25	30	2300179W	3-89	3A	2300277W	1-11	22
221659W	1-39	2	222392W	3-29	30	2300187W	3-43	10	2300277W	1-13	22
221659W	4-2	4	222392W	3-33	30	2300187W	3-65	10	2300277W	1-15	22
221659W	4-12	2A	222653W	1-15	50	2300187W	3-69	10	2300277W	1-17	22
221659W	4-13	10A	222653W	1-17	50	2300187W	3-75	10	2300277W	1-19	22
221659W	4-14	10A	222653W	1-21	50	2300187W	3-79	10	2300277W	1-21	22
221659W	4-15	10A	2300041W	1-29	12	2300187W	3-83	10	2300277W	1-23	22
221664W	1-42	4	2300041W	1-40	7	2300187W	3-87	10	2300277W	1-25	22
221666W	1-38	1	2300041W	1-49		2300199W	1-3	23	2300285W	3-43	17
221666W	1-38	3	2300041W	1-49		2300199W	1-5	23	2300285W	3-45	9
221666W	4-11	6	2300096W	1-3	27	2300199W	1-7	23	2300285W	3-47	9
221672W	4-9	1	2300096W	1-5	27	2300199W	1-9	23	2300285W	3-49	9
221686W	1-36	1	2300096W	1-7	27	2300199W	1-11	23	2300285W	3-51	9
221686W	1-37	1	2300096W	1-9	27	2300199W	1-13	23	2300285W	3-53	9
221686W	1-40	1	2300096W	1-11	27	2300202W	3-93	23	2300285W	3-55	9
221686W	1-41	1	2300096W	1-13	27	2300202W	3-97	23	2300285W	3-57	9
221690W	1-33	20	2300096W	1-15	27	2300202W	3-101	23	2300285W	3-59	9
221690W	1-35	20	2300096W	1-17	27	2300202W	3-103	23	2300285W	3-61	9
221694W	1-36	2	2300096W	1-19	27	2300202W	3-105	23	2300285W	3-63	9
221700W	1-38	5	2300096W	1-21	27	2300202W	3-107	23	2300285W	3-65	17
221707W	3-108	41	2300096W	1-23	27	2300207W	2-41	13	2300285W	3-67	9
221716W	1-38	4	2300096W	1-25	27	2300212W	1-26	5	2300285W	3-69	17
221716W	1-39	3	2300097W	1-3	30	2300212W	1-27	5	2300285W	3-71	9
221716W	1-42	5	2300097W	1-5	30	2300221W	2-15	22	2300285W	3-73	9
221716W	1-48	9	2300097W	1-7	30	2300221W	2-17	22	2300285W	3-75	17
221719W	1-42	2	2300097W	1-9	30	2300221W	2-19	22	2300285W	3-77	9
221720W	1-38	7	2300097W	1-11	30	2300221W	2-21	22	2300285W	3-79	17
221724W	4-7	2	2300097W	1-13	30	2300221W	2-23	22	2300285W	3-81	9
221724W	4-8	4	2300097W	1-15	30	2300221W	2-25	22	2300285W	3-83	17
221724W	4-9	10	2300097W	1-17	30	2300221W	2-27	22	2300285W	3-85	9
221724W	4-10	4	2300097W	1-19	30	2300221W	2-29	22	2300285W	3-87	17

7-10

Part No.	Page No.	Item	Part No.	Page No.	Item	Part No.	Page No.	Item	Part No.	Page No.	Item
2300285W	3-89	9	2300493W	2-42	9	2300851W	1-19	23	2300979W	3-103	29
2300296W	1-3	7	2300493W	2-43	9	2300851W	1-21	23	2300979W	3-105	29
2300296W	1-5	7	2300493W	5-12	5	2300851W	1-23	23	2300979W	3-107	29
2300296W	1-7	7	2300493W	6-5		2300851W	1-25	23	2300979W	3-108	29
2300296W	1-9	7	2300494W	2-42	10	2300855W	3-65		2300979W	3-109	29
2300296W	1-11	7	2300494W	2-43	10	2300855W	3-69		2300979W	3-111	18
2300296W	1-13	7	2300494W	5-12	6	2300855W	3-75		2300979W	3-113	18
2300296W	1-15	7	2300494W	6-5		2300855W	3-79		2300979W	3-115	18
2300296W	1-17	7	2300495W	2-42	7	2300855W	3-83		2300979W	3-117	18
2300296W	1-19	7	2300495W	2-43	7	2300855W	3-87		2300979W	3-121	18
2300296W	1-21	7	2300496W	2-42	5	2300856W	3-65	4	2300979W	3-123	18
2300296W	1-23	7	2300496W	2-43	5	2300856W	3-69	4	2300979W	3-125	18
2300296W	1-25	7	2300496W	5-12	4	2300856W	3-75	4	2300979W	3-127	18
2300296W	2-27	9	2300496W	6-5		2300856W	3-79	4	2300979W	3-129	18
2300296W	2-29	9	2300498W	2-42	11	2300856W	3-83	4	2300979W	3-131	18
2300296W	2-31	9	2300498W	2-43	11	2300856W	3-87	4	2300979W	3-133	18
2300296W	2-33	9	2300499W	2-42	11	2300859W	3-111	12	2300979W	3-135	18
2300296W	2-35	9	2300499W	2-43	11	2300859W	3-115	12	2300979W	3-137	18
2300296W	2-37	9	2300500W	2-42	11	2300859W	3-121	12	2300979W	3-139	18
2300317W	1-51	4	2300500W	2-43	11	2300859W	3-125	12	2300979W	3-141	18
2300425W	2-45	11	2300501W	2-42	11	2300859W	3-129	12	2300980W	3-37	31
2300426W	3-3	24	2300501W	2-43	11	2300859W	3-133	12	2300981W	3-21	28
2300426W	3-19	24	2300502W	2-42	11	2300859W	3-137	12	2300981W	3-23	28
2300426W	3-25	24	2300502W	2-43	11	2300924W	3-7	16	2300981W	3-27	28
2300426W	3-29	24	2300534W	2-45	24	2300924W	3-13	16	2300981W	3-31	28
2300426W	3-33	24	2300576W	6-2		2300924W	3-21	16	2300981W	3-35	28
2300426W	3-37	22	2300587W	2-15	9	2300924W	3-27	16	2300981W	3-37	27
2300431W	3-3	41	2300587W	2-17	9	2300924W	3-31	16	2300981W	3-39	28
2300431W	3-5	41	2300587W	2-19	9	2300924W	3-35	16	2300981W	3-41	28
2300431W	3-19	37	2300587W	2-21	9	2300924W	3-37	16	2300995W	3-147	3
2300431W	3-25	37	2300587W	2-23	9	2300924W	3-39	16	2300995W	3-148	7
2300431W	3-29	37	2300587W	2-25	9	2300948W	4-7	12	2301014W	4-8	5
2300431W	3-33	37	2300587W	2-39	9	2300967W	3-43	8	2301015W	4-8	6
2300431W	3-37	35	2300805W	1-42	10	2300967W	3-65	8	2301017W	4-11	2
2300440W	3-3	35	2300806W	1-42	11	2300967W	3-69	8	2301019W	4-11	3
2300441W	3-19	33	2300813W	1-42	9	2300967W	3-75	8	2301020W	4-10	5
2300441W	3-25	33	2300816W	1-42	8	2300967W	3-79	8	2301021W	4-10	6
2300441W	3-29	33	2300830W	2-9	21	2300967W	3-83	8	2301024W	1-38	11
2300441W	3-33	33	2300830W	2-11	21	2300967W	3-87	8	2301025W	4-9	4
2300446W	3-45	5	2300830W	2-13	21	2300978W	3-93	28	2301026W	4-9	3
2300446W	3-47	5	2300831W	2-5	3	2300978W	3-94	28	2301029W	4-16	1
2300446W	3-49	5	2300831W	2-7	3	2300978W	3-95	28	2301032W	4-16	6
2300446W	3-51	5	2300831W	2-9	22	2300978W	3-97	28	2301033W	4-16	2
2300446W	3-53	5	2300831W	2-11	2	2300978W	3-99	28	2301034W	4-16	12
2300446W	3-55	5	2300831W	2-11	22	2300978W	3-101	28	2301037W	2-45	7
2300446W	3-57	5	2300831W	2-13	2	2300978W	3-103	28	2301040W	4-16	13
2300446W	3-59	5	2300831W	2-13	22	2300978W	3-105	28	2301041W	4-16	3
2300446W	3-61	5	2300831W	5-6	3	2300978W	3-107	28	2301042W	4-16	11
2300446W	3-63	5	2300831W	5-7	3	2300978W	3-108	28	2301043W	4-16	11A
2300446W	3-67	5	2300831W	5-8	2	2300978W	3-109	28	2301069W	3-3	15
2300446W	3-71	5	2300831W	6-3		2300978W	3-111	17	2301069W	3-5	15
2300446W	3-73	5	2300831W	6-4		2300978W	3-113	17	2301069W	3-7	15
2300446W	3-77	5	2300831W	6-4		2300978W	3-115	17	2301069W	3-9	15
2300446W	3-81	5	2300832W	2-9	23	2300978W	3-117	17	2301069W	3-11	13
2300446W	3-85	5	2300837W	2-9	19	2300978W	3-121	17	2301069W	3-13	15
2300446W	3-89	5	2300838W	2-9	17	2300978W	3-123	17	2301069W	3-15	15
2300462W	3-43		2300839W	2-9	24	2300978W	3-125	17	2301069W	3-17	13
2300466W	3-43	4	2300839W	2-11	24	2300978W	3-127	17	2301069W	3-19	15
2300476W	4-11	4	2300839W	2-13	24	2300978W	3-129	17	2301069W	3-21	15
2300477W	4-11	5	2300840W	2-9	16	2300978W	3-131	17	2301069W	3-23	15
2300478W	4-11	12	2300842W	2-9	25	2300978W	3-133	17	2301069W	3-25	15
2300482W	2-42	1	2300843W	2-27	10	2300978W	3-135	17	2301069W	3-27	15
2300485W	2-42	1	2300843W	2-29	10	2300978W	3-137	17	2301069W	3-29	15
2300488W	2-43	13	2300843W	2-31	10	2300978W	3-139	17	2301069W	3-31	15
2300488W	2-42	13	2300843W	2-33	10	2300978W	3-141	17	2301069W	3-33	15
2300488W	2-43	13	2300843W	2-35	10	2300979W	3-93	29	2301069W	3-35	15
2300490W	2-42	12	2300843W	2-37	10	2300979W	3-94	29	2301069W	3-37	15
2300492W	2-42	4	2300843W	2-39	10	2300979W	3-95	29	2301069W	3-39	15
2300492W	2-43	4	2300844W	2-40	2	2300979W	3-97	29	2301069W	3-41	15
2300492W	5-12	3	2300851W	1-15	23	2300979W	3-99	29	2301075W	2-9	20
2300492W	6-5		2300851W	1-17	23	2300979W	3-101	29	2301077W	2-9	18

7-11

Part No.	Page No.	Item	Part No.	Page No.	Item	Part No.	Page No.	Item	Part No.	Page No.	Item
2301077W	2-11	18	2301214W	1-25	37	2301596W	3-113	42	2301688W	3-137	24
2301077W	2-13	18	2301215W	1-15	38	2301596W	3-115	42	2301704W	4-13	1
2301078W	2-15	14	2301215W	1-17	38	2301596W	3-117	42	2301706W	4-13	2
2301078W	2-17	14	2301215W	1-19	38	2301597W	1-15	43	2301706W	4-14	2
2301078W	2-19	14	2301215W	1-21	38	2301597W	1-17	43	2301706W	4-15	2
2301078W	2-21	14	2301215W	1-23	38	2301597W	1-19	43	2301708W	4-13	4
2301078W	2-23	14	2301215W	1-25	38	2301597W	1-21	43	2301708W	4-14	4
2301078W	2-25	14	2301238W	3-111	46	2301597W	1-23	43	2301708W	4-15	4
2301078W	2-27	14	2301238W	3-113	46	2301597W	1-25	43	2301709W	4-13	5
2301078W	2-29	14	2301238W	3-115	46	2301634W	3-148	6	2301709W	4-14	5
2301078W	2-31	14	2301238W	3-117	46	2301661W	3-111	27	2301709W	4-15	5
2301078W	2-33	14	2301242W	3-111	40	2301661W	3-113	27	2301710W	3-121	41
2301078W	2-35	14	2301242W	3-113	40	2301661W	3-115	27	2301710W	3-123	41
2301078W	2-37	14	2301242W	3-115	40	2301661W	3-117	27	2301710W	3-125	41
2301078W	2-39	14	2301242W	3-117	40	2301661W	3-121	27	2301710W	3-127	41
2301082W	3-43	3	2301246W	3-7	24	2301661W	3-123	27	2301710W	3-129	41
2301082W	3-65	3	2301246W	3-13	24	2301661W	3-125	27	2301710W	3-131	41
2301082W	3-69	3	2301248W	3-21	13	2301661W	3-127	27	2301710W	3-133	41
2301082W	3-75	3	2301248W	3-23	13	2301661W	3-129	27	2301710W	3-135	41
2301082W	3-79	3	2301248W	3-27	13	2301661W	3-131	27	2301710W	3-137	41
2301082W	3-83	3	2301248W	3-31	13	2301661W	3-133	27	2301710W	3-139	41
2301082W	3-87	3	2301248W	3-35	13	2301661W	3-135	27	2301710W	4-13	11
2301104W	3-111	15	2301248W	3-37	24	2301661W	3-137	27	2301710W	4-14	11
2301104W	3-115	15	2301248W	3-39	13	2301661W	3-139	27	2301710W	4-15	11
2301104W	3-121	15	2301248W	3-41	13	2301661W	3-141	27	2301757W	2-9	19
2301104W	3-125	15	2301400W	3-43	8	2301664W	3-111	28	2301757W	2-11	19
2301104W	3-129	15	2301400W	3-65	8	2301664W	3-113	28	2301757W	2-13	19
2301104W	3-133	15	2301400W	3-69	8	2301664W	3-115	28	2301777W	3-5	43
2301104W	3-137	15	2301400W	3-75	8	2301664W	3-117	28	2301778W	2-9	16
2301115W	1-45	11	2301400W	3-79	8	2301664W	3-121	28	2301779W	2-9	17
2301115W	1-47	10	2301400W	3-83	8	2301664W	3-123	28	2301779W	2-11	17
2301116W	1-45	12	2301400W	3-87	8	2301664W	3-125	28	2301779W	2-13	17
2301116W	1-47	11	2301458W	3-3	26	2301664W	3-127	28	2301780W	3-5	3
2301117W	1-45	13	2301458W	3-5	26	2301664W	3-129	28	2301812W	3-121	11
2301117W	1-47	12	2301464W	1-50	8	2301664W	3-131	28	2301812W	3-125	11
2301118W	1-45	14	2301465W	1-50	9	2301664W	3-133	28	2301812W	3-129	11
2301118W	1-47	13	2301487W	3-145	23	2301664W	3-135	28	2301812W	3-133	11
2301121W	1-45	4	2301487W	3-148	11	2301664W	3-137	28	2301812W	3-137	11
2301121W	1-47	4	2301490W	1-39	9	2301664W	3-139	28	2301813W	3-111	11
2301122W	1-45	5	2301495W	3-93	26	2301664W	3-141	28	2301813W	3-115	11
2301122W	1-47	5	2301495W	3-97	26	2301665W	3-111	26	2301819W	3-13	41
2301170W	3-37	10	2301495W	3-103	26	2301665W	3-115	26	2301819W	3-21	41
2301170W	3-111	21	2301495W	3-105	26	2301665W	3-121	26	2301819W	3-27	41
2301170W	3-111	47	2301495W	3-115	34	2301665W	3-125	26	2301819W	3-31	41
2301170W	3-113	47	2301495W	3-117	34	2301665W	3-129	26	2301819W	3-35	41
2301170W	3-115	21	2301495W	3-121	44	2301665W	3-133	26	2301819W	3-39	41
2301170W	3-115	47	2301495W	3-123	44	2301665W	3-137	26	2301820W	3-9	3
2301170W	3-117	47	2301495W	3-125	44	2301671W	3-111	21	2301820W	3-11	3
2301170W	3-121	21	2301495W	3-127	44	2301671W	3-113	21	2301820W	3-13	3
2301170W	3-125	21	2301495W	3-129	44	2301671W	3-115	21	2301820W	3-15	3
2301170W	3-129	21	2301495W	3-131	44	2301671W	3-117	21	2301820W	3-17	3
2301170W	3-133	21	2301495W	3-133	44	2301671W	3-121	21	2301820W	3-21	3
2301170W	3-137	21	2301495W	3-135	44	2301671W	3-123	21	2301820W	3-23	3
2301170W	3-141	41	2301495W	3-137	44	2301671W	3-125	21	2301820W	3-27	3
2301174W	3-37	10	2301495W	3-139	44	2301671W	3-127	21	2301820W	3-31	3
2301188W	1-15	10	2301519W	3-7	33	2301671W	3-129	21	2301820W	3-35	3
2301188W	1-17	10	2301519W	3-13	33	2301671W	3-131	21	2301820W	3-39	3
2301188W	1-19	10	2301542W	2-9	28	2301671W	3-133	21	2301820W	3-41	3
2301188W	1-21	10	2301543W	2-5	18	2301671W	3-135	21	2301823W	3-9	24
2301188W	1-23	10	2301543W	2-7	18	2301671W	3-137	21	2301823W	3-11	21
2301188W	1-25	10	2301543W	2-9	27	2301671W	3-139	21	2301823W	3-13	24
2301188W	3-11	34	2301543W	2-11	27	2301671W	3-141	21	2301823W	3-15	24
2301188W	3-17	34	2301543W	2-13	27	2301673W	2-9	28	2301823W	3-17	21
2301212W	1-15	23	2301564W	3-111	12	2301674W	4-16	6	2301827W	1-48	8
2301212W	1-17	23	2301564W	3-115	12	2301678W	4-16	2	2301837W	2-9	16
2301212W	1-21	23	2301564W	3-121	12	2301688W	3-111	24	2301851W	1-36	7
2301214W	1-15	37	2301564W	3-125	12	2301688W	3-115	24	2301851W	1-37	5
2301214W	1-17	37	2301564W	3-129	12	2301688W	3-121	24	2301859W	3-111	35
2301214W	1-19	37	2301564W	3-133	12	2301688W	3-125	24	2301859W	3-113	35
2301214W	1-21	37	2301564W	3-137	12	2301688W	3-129	24	2301859W	3-115	35
2301214W	1-23	37	2301596W	3-111	42	2301688W	3-133	24	2301859W	3-117	35

7-12

Part No.	Page No.	Item	Part No.	Page No.	Item	Part No.	Page No.	Item	Part No.	Page No.	Item
2301859W	3-121	39	2302110W	3-11	20	2302208W	3-41	20	2302230W	3-85	4
2301859W	3-123	39	2302110W	3-13	23	2302209W	3-21	33	2302230W	3-89	4
2301859W	3-125	39	2302110W	3-15	23	2302209W	3-27	33	2302231W	3-45	16
2301859W	3-127	39	2302110W	3-17	20	2302209W	3-31	33	2302231W	3-47	16
2301859W	3-129	39	2302110W	3-19	24	2302209W	3-35	33	2302231W	3-49	16
2301859W	3-131	39	2302110W	3-21	23	2302209W	3-37	32	2302231W	3-51	16
2301859W	3-133	39	2302110W	3-23	23	2302209W	3-39	33	2302231W	3-53	16
2301859W	3-135	39	2302110W	3-25	24	2302226W	3-45	7	2302231W	3-55	16
2301859W	3-137	39	2302110W	3-27	23	2302226W	3-47	7	2302231W	3-57	16
2301859W	3-139	39	2302110W	3-29	24	2302226W	3-49	7	2302231W	3-59	16
2301859W	3-141	39	2302110W	3-31	23	2302226W	3-51	7	2302231W	3-61	16
2301865W	3-121	36	2302110W	3-33	24	2302226W	3-53	7	2302231W	3-63	16
2301865W	3-123	36	2302110W	3-35	23	2302226W	3-55	7	2302231W	3-67	16
2301865W	3-125	36	2302110W	3-37	22	2302226W	3-57	7	2302231W	3-71	16
2301865W	3-127	36	2302110W	3-39	23	2302226W	3-59	7	2302231W	3-73	16
2301865W	3-129	36	2302110W	3-41	23	2302226W	3-61	7	2302231W	3-77	16
2301865W	3-131	36	2302111W	2-9	20	2302226W	3-63	7	2302231W	3-81	16
2301865W	3-133	36	2302111W	2-11	20	2302226W	3-67	7	2302231W	3-85	16
2301865W	3-135	36	2302111W	2-13	20	2302226W	3-71	7	2302231W	3-89	16
2301865W	3-137	36	2302114W	2-9	20	2302226W	3-73	7	2302233W	3-45	
2301865W	3-139	36	2302114W	2-11	20	2302226W	3-77	7	2302233W	3-49	
2302049W	3-93	28	2302114W	2-13	20	2302226W	3-81	7	2302233W	3-57	
2302049W	3-97	28	2302115W	3-111	37	2302226W	3-85	7	2302236W	3-45	14
2302049W	3-99	28	2302115W	3-113	37	2302226W	3-89	7	2302236W	3-47	14
2302049W	3-101	28	2302115W	3-115	37	2302227W	3-45	12	2302236W	3-49	14
2302049W	3-103	28	2302115W	3-117	37	2302227W	3-47	12	2302236W	3-51	14
2302049W	3-107	28	2302116W	3-111	39	2302227W	3-49	12	2302236W	3-53	14
2302078W	3-21	24	2302116W	3-113	39	2302227W	3-51	12	2302236W	3-55	14
2302078W	3-23	24	2302116W	3-115	39	2302227W	3-55	12	2302236W	3-57	14
2302078W	3-27	24	2302116W	3-117	39	2302227W	3-57	12	2302236W	3-59	14
2302078W	3-31	24	2302177W	3-93	40	2302227W	3-59	12	2302236W	3-61	14
2302078W	3-35	24	2302177W	3-94	40	2302227W	3-61	12	2302236W	3-63	14
2302078W	3-39	24	2302177W	3-95	40	2302227W	3-63	12	2302236W	3-67	14
2302078W	3-41	24	2302177W	3-97	40	2302227W	3-67	12	2302236W	3-71	14
2302079W	3-5	27	2302177W	3-99	40	2302227W	3-71	12	2302236W	3-73	14
2302079W	3-9	8	2302177W	3-101	40	2302227W	3-77	12	2302236W	3-77	14
2302079W	3-11	7	2302177W	3-103	40	2302227W	3-81	12	2302236W	3-81	14
2302079W	3-13	8	2302177W	3-105	40	2302227W	3-85	12	2302236W	3-85	14
2302079W	3-15	8	2302177W	3-107	40	2302227W	3-89	12	2302236W	3-89	14
2302079W	3-17	7	2302177W	3-108	40	2302229W	3-45	8	2302290W	1-39	50
2302079W	3-21	8	2302177W	3-109	40	2302229W	3-47	8	2302291W	1-39	60
2302079W	3-21	25	2302203W	3-45	2	2302229W	3-49	8	2302292W	1-39	50
2302079W	3-23	8	2302203W	3-47	3	2302229W	3-51	8	2302293W	1-39	51
2302079W	3-23	25	2302203W	3-49	3	2302229W	3-53	8	2302294W	1-39	61
2302079W	3-27	8	2302203W	3-51	3	2302229W	3-55	8	2302295W	1-39	51
2302079W	3-27	25	2302203W	3-53	3	2302229W	3-57	8	2302316W	3-111	31
2302079W	3-31	8	2302203W	3-55	3	2302229W	3-59	8	2302316W	3-113	31
2302079W	3-31	25	2302203W	3-57	3	2302229W	3-61	8	2302316W	3-115	31
2302079W	3-35	8	2302203W	3-59	3	2302229W	3-63	8	2302316W	3-117	31
2302079W	3-35	25	2302203W	3-61	3	2302229W	3-67	8	2302316W	3-121	31
2302079W	3-39	8	2302203W	3-63	3	2302229W	3-71	8	2302316W	3-123	31
2302079W	3-39	25	2302203W	3-67	3	2302229W	3-73	8	2302316W	3-125	31
2302079W	3-41	8	2302203W	3-71	3	2302229W	3-77	8	2302316W	3-127	31
2302079W	3-41	25	2302203W	3-73	3	2302229W	3-81	8	2302316W	3-129	31
2302080W	1-15	23	2302203W	3-77	3	2302229W	3-85	8	2302316W	3-131	31
2302080W	1-17	23	2302203W	3-81	3	2302229W	3-89	8	2302316W	3-133	31
2302080W	1-19	23	2302203W	3-85	3	2302230W	3-45	4	2302316W	3-135	31
2302080W	1-21	23	2302203W	3-89	3	2302230W	3-47	4	2302316W	3-137	31
2302080W	1-23	23	2302208W	1-15	41	2302230W	3-49	4	2302316W	3-139	31
2302080W	1-25	23	2302208W	1-17	41	2302230W	3-51	4	2302316W	3-141	31
2302109W	3-3	25	2302208W	1-19	41	2302230W	3-53	4	2302433W	2-45	24
2302109W	3-5	25	2302208W	1-21	41	2302230W	3-55	4	2302435W	2-45	10
2302109W	3-19	25	2302208W	1-23	41	2302230W	3-57	4	2302595W	3-7	13
2302109W	3-25	25	2302208W	1-25	41	2302230W	3-59	4	2302595W	3-9	13
2302109W	3-29	25	2302208W	3-7	20	2302230W	3-61	4	2302595W	3-11	11
2302109W	3-33	25	2302208W	3-9	20	2302230W	3-63	4	2302595W	3-13	13
2302109W	3-37	23	2302208W	3-11	18	2302230W	3-67	4	2302595W	3-15	13
2302110W	3-3	24	2302208W	3-13	20	2302230W	3-71	4	2302595W	3-17	11
2302110W	3-5	24	2302208W	3-15	20	2302230W	3-73	4	2302596W	2-45	10
2302110W	3-7	23	2302208W	3-17	18	2302230W	3-77	4	2302600W	3-5	35
2302110W	3-9	23	2302208W	3-23	20	2302230W	3-81	4	2302686W	1-29	17

7-13

Part No.	Page No.	Item	Part No.	Page No.	Item	Part No.	Page No.	Item	Part No.	Page No.	Item
2302686W	1-30	2	2303121W	3-139	40	2303189W	3-123	43	2303469W	3-23	43
2302686W	1-31	2	2303122W	3-121	42	2303189W	3-125	43	2303469W	3-41	43
2302686W	1-33	2	2303122W	3-123	42	2303189W	3-127	43	2303470W	3-23	32
2302686W	1-40	9	2303122W	3-125	42	2303189W	3-129	43	2303470W	3-41	32
2302686W	1-41	9	2303122W	3-127	42	2303189W	3-131	43	2303476W	2-11	
2302686W	1-43	3	2303122W	3-129	42	2303189W	3-133	43	2303477W	2-11	
2302686W	1-49	9	2303122W	3-131	42	2303189W	3-135	43	2303482W	3-11	24
2302686W	1-52	15	2303122W	3-133	42	2303189W	3-139	43	2303482W	3-17	24
2302701W	3-7	28	2303122W	3-135	42	2303201W	2-7		2303500W	2-5	
2302701W	3-9	28	2303122W	3-139	42	2303202W	2-7		2303501W	2-5	
2302701W	3-13	28	2303124W	1-29	12	2303204W	2-13		2303517W	3-99	24A
2302701W	3-15	28	2303124W	1-30	12	2303205W	2-13		2303521W	3-9	32
2302721W	3-3	43	2303124W	1-31	12	2303221W	4-2	6	2303521W	3-15	32
2302735W	1-40	6	2303124W	1-33	12	2303244W	3-99	23A	2303531W	3-11	17
2302801W	3-7	41	2303124W	1-35	12	2303328W	3-111	11	2303531W	3-17	17
2302801W	3-13	41	2303124W	1-41	6	2303328W	3-113	11	2303531W	3-91	
2302801W	3-19	39	2303124W	1-52	14	2303328W	3-115	11	2303590W	3-9	44
2302801W	3-25	39	2303125W	3-45	3	2303328W	3-117	11	2303590W	3-15	44
2302801W	3-29	39	2303125W	3-47	3	2303329W	3-23	33	2303591W	3-23	32
2302801W	3-33	39	2303125W	3-49	3	2303329W	3-41	33	2303591W	3-41	32
2302801W	3-37	39	2303125W	3-51	3	2303334W	3-9	41	2303592W	3-11	1
2302836W	3-19	34	2303125W	3-55	3	2303334W	3-15	41	2303592W	3-53	
2302836W	3-25	34	2303125W	3-57	3	2303334W	3-23	41	2303592W	3-73	
2302836W	3-29	34	2303125W	3-59	3	2303334W	3-41	41	2303593W	3-9	36
2302836W	3-33	34	2303125W	3-61	3	2303401W	3-93	38	2303593W	3-15	36
2302837W	3-3	36	2303125W	3-63	3	2303401W	3-94	38	2303609W	1-41	16
2302837W	3-5	36	2303125W	3-67	3	2303401W	3-97	38	2303609W	3-118	4
2302839W	3-3	3	2303125W	3-71	3	2303401W	3-99	38	2303609W	3-119	2
2302839W	3-19	3	2303125W	3-77	3	2303401W	3-101	38	2303610W	2-42	14
2302839W	3-25	3	2303125W	3-81	3	2303401W	3-103	38	2303610W	2-43	14
2302839W	3-29	3	2303125W	3-85	3	2303401W	3-105	38	2303625W	3-9	16
2302839W	3-33	3	2303125W	3-89	3	2303401W	3-107	38	2303625W	3-11	14
2302840W	3-7	3	2303132W	1-49	13	2303401W	3-108	38	2303625W	3-15	16
2302840W	3-13	3	2303133W	1-49	14	2303401W	3-111	9	2303625W	3-17	14
2302840W	3-37	3	2303141W	1-41	6	2303401W	3-113	9	2303625W	3-23	16
2303006W	1-37	10	2303151W	2-43	12	2303401W	3-115	9	2303625W	3-41	16
2303006W	1-40	11	2303152W	2-40	2	2303401W	3-117	9	2303682W	1-49	18
2303006W	1-41	11	2303154W	2-39	4A	2303401W	3-121	9	2303708W	1-49	8
2303007W	1-37	9	2303155W	2-39	4B	2303401W	3-123	9	2303714W	1-27	14
2303007W	1-40	10	2303156W	2-5	4A	2303401W	3-125	9	2303722W	1-41	15
2303007W	1-41	10	2303156W	2-7	4A	2303401W	3-127	9	2303729W	3-94	23
2303039W	1-30	17	2303157W	2-5	4B	2303401W	3-129	9	2303737W	1-30	13
2303039W	1-31	17	2303157W	2-7	4B	2303401W	3-131	9	2303737W	1-31	13
2303039W	1-33	17	2303158W	2-11	16	2303401W	3-133	9	2303737W	1-33	13
2303039W	1-35	17	2303158W	2-13	16	2303401W	3-135	9	2303753W	4-3	5
2303039W	3-118	12	2303159W	2-11	16	2303401W	3-137	9	2303753W	4-4	5
2303041W	2-3		2303159W	2-13	16	2303401W	3-139	9	2303754W	4-14	8
2303042W	2-3		2303160W	2-43	1	2303401W	3-141	9	2303754W	4-15	8
2303044W	2-9		2303165W	3-47		2303410W	3-111	12	2303755W	4-14	7
2303045W	2-9		2303165W	3-51		2303410W	3-113	12	2303755W	4-15	7
2303047W	6-3		2303165W	3-55		2303410W	3-115	12	2303757W	4-14	1
2303062W	1-49	7	2303165W	3-59		2303410W	3-117	12	2303757W	4-15	1
2303068W	1-49	8	2303165W	3-61		2303410W	3-121	12	2303790W	4-8	10
2303086W	4-16	17	2303165W	3-63		2303410W	3-123	12	2303856W	1-41	6
2303099W	3-121	11	2303165W	3-67		2303410W	3-125	12	2303982W	3-94	1
2303099W	3-123	11	2303165W	3-71		2303410W	3-127	12	2303982W	3-95	1
2303099W	3-125	11	2303165W	3-77		2303410W	3-129	12	2303982W	3-99	1
2303099W	3-127	11	2303165W	3-81		2303410W	3-131	12	2303982W	3-105	1
2303099W	3-129	11	2303165W	3-85		2303410W	3-133	12	2303982W	3-108	1
2303099W	3-131	11	2303165W	3-89		2303410W	3-135	12	2303982W	3-141	25
2303099W	3-133	11	2303188W	3-121	34	2303410W	3-137	12	2303982W	3-144	
2303099W	3-135	11	2303188W	3-123	34	2303410W	3-139	12	2303984W	3-109	
2303099W	3-137	11	2303188W	3-125	34	2303410W	3-141	12	2303984W	3-144	
2303099W	3-139	11	2303188W	3-127	34	2303444W	3-9	33	2303985W	3-93	1
2303099W	3-141	11	2303188W	3-129	34	2303444W	3-11	23	2303985W	3-97	1
2303121W	3-121	40	2303188W	3-131	34	2303444W	3-15	33	2303985W	3-101	1
2303121W	3-123	40	2303188W	3-133	34	2303444W	3-17	23	2303985W	3-103	1
2303121W	3-127	40	2303188W	3-135	34	2303467W	3-9	42	2303985W	3-107	1
2303121W	3-129	40	2303188W	3-137	34	2303467W	3-15	42	2303985W	3-113	25
2303121W	3-131	40	2303188W	3-139	34	2303467W	3-23	42	2303985W	3-117	25
2303121W	3-135	40	2303189W	3-121	43	2303467W	3-41	42	2303985W	3-123	25

7-14

Part No.	Page No.	Item	Part No.	Page No.	Item	Part No.	Page No.	Item	Part No.	Page No.	Item
2303985W	3-127	25	2304873W	2-13	4	2305967W	2-5	17	250833W	1-42	15
2303985W	3-131	25	2304873W	2-27	7	2305967W	2-7	17	250834W	1-42	16
2303985W	3-135	25	2304873W	2-29	7	2305967W	2-9	26	250835W	1-42	17
2303985W	3-139	25	2304873W	2-31	7	2305967W	2-11	26	252729W	3-45	5A
2303985W	3-146		2304873W	2-33	7	2305967W	2-13	26	252729W	3-47	5A
2304161W	4-5	6	2304873W	2-35	7	2306098W	3-118	6	252729W	3-49	5A
2304161W	6-5		2304873W	2-37	7	2306809W	1-30	12	252729W	3-51	5A
2304306W	3-94	23	2304873W	2-39	7	2306809W	1-31	12	252729W	3-53	5A
2304306W	3-99	23A	2304873W	5-4	1	2306809W	1-33	12	252729W	3-55	5A
2304306W	3-105	23	2304873W	5-5	1	2306809W	1-35	12	252729W	3-57	5A
2304306W	3-108	23	2304873W	6-2		2306817W	1-30	1	252729W	3-59	5A
2304331W	3-113	24	2304873W	6-3		2306998W	3-118	10	252729W	3-61	5A
2304331W	3-117	24	2304874W	2-3	10	2307001W	3-148	3	252729W	3-63	5A
2304331W	3-123	24	2304874W	2-5	10	2307005W	3-118	1	252729W	3-67	5A
2304331W	3-127	24	2304874W	2-5	18	2307005W	3-148		252729W	3-71	5A
2304331W	3-131	24	2304874W	2-7	10	2307006W	3-118	3	252729W	3-73	5A
2304331W	3-135	24	2304874W	2-7	18	2307099W	3-148	13	252729W	3-77	5A
2304331W	3-139	24	2304874W	2-9	5	2307740W	3-11	31	252729W	3-81	5A
2304339W	3-144	3	2304874W	2-9	27	2307740W	3-17	31	252729W	3-85	5A
2304339W	3-146	2	2304874W	2-11	5	230774W	1-42	1	252729W	3-89	5A
2304339W	3-147	1	2304874W	2-11	27	2307762W	3-11	28	264147W	3-3	14
2304339W	3-148	10	2304874W	2-13	5	2307762W	3-17	28	264147W	3-5	14
2304340W	3-144	4	2304874W	2-13	27	2307763W	3-11	39	264147W	3-7	14
2304340W	3-146	3	2304874W	2-27	8	2307763W	3-17	39	264147W	3-9	14
2304341W	3-144	5	2304874W	2-29	8	2307766W	3-11	26	264147W	3-11	12
2304341W	3-146	4	2304874W	2-31	8	2307766W	3-17	26	264147W	3-13	14
2304342W	3-144	6	2304874W	2-33	8	2307854W	3-11	30	264147W	3-15	14
2304342W	3-146	5	2304874W	2-35	8	2307854W	3-17	30	264147W	3-17	12
2304343W	3-144	7	2304874W	2-37	8	2307974W	3-148	17	264147W	3-19	14
2304343W	3-146	6	2304874W	2-39	8	233693W	3-43	20	264147W	3-21	14
2304380W	3-93	24	2304874W	5-4	2	233693W	3-45	13	264147W	3-23	14
2304380W	3-94	24	2304874W	5-5	2	233693W	3-47	13	264147W	3-25	14
2304380W	3-95	24	2304874W	6-2		233693W	3-49	13	264147W	3-27	14
2304380W	3-97	24	2304874W	6-3		233693W	3-51	13	264147W	3-29	14
2304380W	3-99	24A	2304919W	5-5	13	233693W	3-53	13	264147W	3-31	14
2304380W	3-101	24	2304919W	6-3		233693W	3-55	13	264147W	3-33	14
2304380W	3-103	24	2304937W	1-52	7	233693W	3-57	13	264147W	3-35	14
2304380W	3-105	24	2304939W	1-52	8	233693W	3-59	13	264147W	3-37	14
2304380W	3-107	24	2304953W	1-29	12	233693W	3-61	13	264147W	3-39	14
2304380W	3-108	24	2304960W	1-29	1	233693W	3-63	13	264147W	3-41	14
2304380W	3-123	30	2305025W	1-30	11	233693W	3-65	20	268492W	2-27	21
2304380W	3-127	30	2305025W	1-31	11	233693W	3-67	13	268492W	2-29	21
2304380W	3-131	30	2305025W	1-33	11	233693W	3-69	20	268492W	2-31	21
2304380W	3-135	30	2305026W	3-95	38	233693W	3-71	13	268492W	2-33	21
2304380W	3-139	30	2305026W	3-111	9	233693W	3-73	13	268492W	2-35	21
2304380W	3-141	30	2305026W	3-113	9	233693W	3-75	20	268492W	2-37	21
2304384W	3-113	26	2305026W	3-118	13	233693W	3-77	13	268492W	2-39	21
2304384W	3-117	26	2305026W	3-119	5	233693W	3-79	20	27936W	3-111	19
2304384W	3-123	26	2305030W	1-29	12	233693W	3-81	13	27936W	3-113	19
2304384W	3-127	26	2305033W	3-141	26	233693W	3-83	20	27936W	3-115	19
2304384W	3-131	26	2305034W	3-141	24	233693W	3-85	13	27936W	3-117	19
2304384W	3-135	26	2305045W	1-52	14	233693W	3-87	20	27936W	3-121	19
2304384W	3-139	26	2305046W	1-52	14	233693W	3-89	13	27936W	3-123	19
2304386W	3-93	23	2305064W	1-52	14	237979W	1-42	14	27936W	3-125	19
2304386W	3-97	23	2305159W	3-118	2	240683W	2-41	2	27936W	3-127	19
2304386W	3-101	23	2305193W	1-52	14	240683W	2-42	2	27936W	3-129	19
2304386W	3-103	23	2305296W	3-148	2	240683W	2-43	2	27936W	3-131	19
2304386W	3-107	23	2305301W	3-148	15	240683W	5-12	1	27936W	3-133	19
2304604W	3-144	20	2305302W	3-148	4	240683W	6-5		27936W	3-135	19
2304604W	3-146	8	2305464W	3-95	23	243330W	3-90	16	27936W	3-137	19
2304676W	4-5	16	2305484W	3-53	12	243330W	3-91	16	27936W	3-139	19
2304681W	4-5	1	2305484W	3-73	12	243337W	3-90	15	27936W	3-141	19
2304692W	4-5	5	2305924W	3-147	2	243337W	3-91	15	282884W	1-49	4
2304710W	2-45	11	2305928W	3-147	7	243338W	3-90	14	292515W	3-118	7
2304814W	1-52	6	2305929W	3-147	9	243338W	3-91	14	292659W	1-49	15
2304838W	3-108	43	2305930W	3-147	10	243339W	3-90	13	292683W	1-50	13
2304873W	2-3	9	2305933W	3-147	11	243339W	3-91	13	293617W	1-40	14
2304873W	2-5	9	2305934W	3-147	12	243340W	3-90	5	293617W	1-41	14
2304873W	2-7	9	2305938W	3-119	1	243340W	3-91	5	293617W	1-52	13
2304873W	2-9	4	2305938W	3-147		243343W	3-90	17	293645W	1-29	15
2304873W	2-11	4	2305967W	2-3	17	243343W	3-91	17	293645W	1-30	15

7-15

Part No.	Page No.	Item	Part No.	Page No.	Item	Part No.	Page No.	Item	Part No.	Page No.	Item
293645W	1-31	15	317757W	3-25	9	334442W	2-23	6	346677W	2-35	17
293645W	1-33	15	317757W	3-27	9	334442W	2-25	6	346677W	2-37	17
293645W	1-35	15	317757W	3-29	9	334442W	2-27	6	346677W	2-39	17
293646W	1-52	9	317757W	3-31	9	334442W	2-29	6	346677W	5-4	7
293653W	1-50	6	317757W	3-33	9	334442W	2-31	6	346677W	5-5	7
293671W	1-49	17	317757W	3-35	9	334442W	2-33	6	346677W	6-2	
293688W	2-45	16	317757W	3-37	9	334442W	2-35	6	346677W	6-3	
293706W	1-27	17	317757W	3-39	9	334442W	2-37	6	346796W	2-3	9
293706W	1-39	80	317757W	3-41	9	334442W	2-39	6	346796W	2-5	9
293708W	1-49	1	32796W	4-6	3	334475W	2-3	7	346796W	2-7	9
293708W	1-50	1	330596W	3-43	18	334475W	2-5	7	346796W	2-9	4
293708W	1-51	1	330596W	3-45	10	334475W	2-7	7	346796W	2-11	4
293710W	1-29	7	330596W	3-47	10	334475W	2-9	3	346796W	2-13	4
293710W	1-30	7	330596W	3-49	10	334475W	2-11	3	346796W	2-15	7
293710W	1-31	7	330596W	3-51	10	334475W	2-13	3	346796W	2-17	7
293710W	1-33	7	330596W	3-53	10	334475W	2-15	5	346796W	2-19	7
293710W	1-35	7	330596W	3-55	10	334475W	2-17	5	346796W	2-21	7
293712W	1-30	7	330596W	3-57	10	334475W	2-19	5	346796W	2-23	7
293713W	1-49	16	330596W	3-59	10	334475W	2-21	5	346796W	2-25	7
293714W	1-33	18	330596W	3-61	10	334475W	2-23	5	346796W	2-27	7
293714W	1-35	18	330596W	3-63	10	334475W	2-25	5	346796W	2-29	7
293714W	1-38	1	330596W	3-65	18	334475W	2-27	5	346796W	2-31	7
293714W	1-50	3	330596W	3-67	10	334475W	2-29	5	346796W	2-33	7
293716W	1-27	15	330596W	3-69	18	334475W	2-31	5	346796W	2-35	7
296168W	3-141	34	330596W	3-71	10	334475W	2-33	5	346796W	2-37	7
296422W	1-29	13	330596W	3-73	10	334475W	2-35	5	346796W	2-39	7
296422W	1-35	13	330596W	3-75	18	334475W	2-37	5	350830W	1-48	6
296422W	1-50	7	330596W	3-77	10	334475W	2-39	5	350830W	1-50	5
296422W	1-52	10	330596W	3-79	18	334480W	2-3	11	360390W	1-44	12
296430W	1-29	8	330596W	3-81	10	334480W	2-5	11	360390W	1-45	21
296430W	1-30	8	330596W	3-83	18	334480W	2-7	11	374820W	1-38	16
296430W	1-31	8	330596W	3-85	10	334480W	2-9	12	37591W	2-45	9
296430W	1-49	3	330596W	3-87	18	334480W	2-11	12	37591W	5-12	7
296430W	1-50	2	330596W	3-89	10	334480W	2-13	12	37591W	6-5	
296430W	1-51	2	334402W	2-3	15	334480W	5-5	12	377129W	3-3	30
296434W	1-52	5	334402W	2-5	15	334480W	6-3		377129W	3-5	30
296844W	2-41	3	334402W	2-7	15	33716W	2-45	6	383880W	3-94	1
296844W	2-42	3	334402W	2-9	6	342447W	4-7	5	383880W	3-99	1
296844W	2-43	3	334402W	2-11	6	342447W	4-12	14	383880W	3-105	1
296844W	5-12	2	334402W	2-13	6	342447W	4-13	8	383880W	3-143	
296844W	6-5		334402W	5-5	4	342448W	4-7	3	383881W	3-142	22
3003079W	3-93	24	334402W	6-3		342448W	4-12	12	383881W	3-143	22
3003079W	3-94	24	334417W	2-3	10	342448W	4-13	7	383881W	3-144	19
3003079W	3-97	24	334417W	2-5	10	344825W	4-6	7	390288W	3-101	26
3003079W	3-101	24	334417W	2-7	10	344825W	4-7	6	390288W	3-107	26
3003079W	3-103	24	334417W	2-9	5	344825W	4-12	17	39347W	4-16	5
3003079W	3-105	24	334417W	2-11	5	344825W	4-13	9	39347W	4-16	19
3003079W	3-107	24	334417W	2-13	5	344825W	4-14	9	39349W	3-43	7
30190W	2-45	21	334417W	2-15	8	344825W	4-15	9	39349W	3-65	7
30190W	5-13	16	334417W	2-17	8	344826W	4-6	4	39349W	3-69	7
30190W	6-5		334417W	2-19	8	344826W	4-7	13	39349W	3-75	7
304537W	3-11	40	334417W	2-21	8	344826W	4-12	7	39349W	3-79	7
304537W	3-17	40	334417W	2-23	8	344835W	4-6	6	39349W	3-83	7
313022W	5-5	11	334417W	2-25	8	344835W	4-7	15	39349W	3-87	7
313022W	5-11	5	334417W	2-27	8	344835W	4-12	9	39368W	3-90	12
313022W	5-13	11	334417W	2-29	8	346677W	2-3	20	39368W	3-91	12
313022W	6-3		334417W	2-31	8	346677W	2-5	20	39756W	2-15	23
313022W	6-4		334417W	2-33	8	346677W	2-7	20	39756W	2-17	23
313022W	6-5		334417W	2-35	8	346677W	2-9	31	39756W	2-19	23
316828W	2-45	17	334417W	2-37	8	346677W	2-11	31	39756W	2-21	23
317757W	3-3	9	334417W	2-39	8	346677W	2-13	31	39756W	2-23	23
317757W	3-5	9	334442W	2-3	8	346677W	2-15	17	39756W	2-25	23
317757W	3-7	9	334442W	2-5	8	346677W	2-17	17	39756W	2-27	23
317757W	3-9	9	334442W	2-7	8	346677W	2-19	17	39756W	2-29	23
317757W	3-11	8	334442W	2-9	11	346677W	2-21	17	39756W	2-31	23
317757W	3-13	9	334442W	2-11	11	346677W	2-23	17	39756W	2-33	23
317757W	3-15	9	334442W	2-13	11	346677W	2-25	17	39756W	2-35	23
317757W	3-17	8	334442W	2-15	6	346677W	2-27	17	39756W	2-37	23
317757W	3-19	9	334442W	2-17	6	346677W	2-29	17	39756W	2-39	23
317757W	3-21	9	334442W	2-19	6	346677W	2-31	17	39756W	5-4	6
317757W	3-23	9	334442W	2-21	6	346677W	2-33	17	39756W	6-2	

7-16

Part No.	Page No.	Item	Part No.	Page No.	Item	Part No.	Page No.	Item	Part No.	Page No.	Item
398599W	3-94	26	41308W	2-31	2	5586W	3-65	24	61141W	3-65	16
398599W	3-99	26A	41308W	2-33	2	5586W	3-69	24	61141W	3-67	11
398817W	1-3	11	41308W	2-35	2	5586W	3-75	24	61141W	3-69	16
398817W	1-5	11	41308W	2-37	2	5586W	3-79	24	61141W	3-71	11
398817W	1-7	11	41308W	2-40	1	5586W	3-83	24	61141W	3-73	11
398817W	1-9	11	41308W	5-10	1	5586W	3-87	24	61141W	3-75	16
398817W	1-11	11	41308W	6-4		58903W	3-148	5	61141W	3-77	11
398817W	1-13	11	43206W	2-40	3	58916W	1-30	14	61141W	3-79	16
398817W	1-15	11	43206W	5-10	2	58916W	1-31	14	61141W	3-81	11
398817W	1-17	11	43206W	6-4		58916W	1-33	14	61141W	3-83	16
398817W	1-19	11	43208W	2-3	3	58933W	3-111	36	61141W	3-85	11
398817W	1-21	11	43208W	2-9	2	58933W	3-113	36	61141W	3-87	16
398817W	1-23	11	43208W	2-15	15	58933W	3-115	36	61141W	3-89	11
398817W	1-25	11	43208W	2-17	15	58933W	3-117	36	67355W	3-111	20
398817W	1-26	4	43208W	2-19	15	58933W	3-121	38	67355W	3-113	20
398817W	1-27	4	43208W	2-21	15	58933W	3-123	38	67355W	3-115	20
398817W	1-39	7	43208W	2-23	15	58933W	3-125	38	67355W	3-117	20
398817W	1-42	13	43208W	2-25	15	58933W	3-127	38	67355W	3-121	20
398817W	1-48	4	43208W	2-27	15	58933W	3-129	38	67355W	3-123	20
398817W	3-11	35	43208W	2-29	15	58933W	3-131	38	67355W	3-125	20
398817W	3-17	35	43208W	2-31	15	58933W	3-133	38	67355W	3-127	20
398817W	4-6	9	43208W	2-33	15	58933W	3-135	38	67355W	3-129	20
398817W	4-7	8	43208W	2-35	15	58933W	3-137	38	67355W	3-131	20
398817W	4-8	9	43208W	2-37	15	58933W	3-139	38	67355W	3-133	20
398817W	4-9	6	44308W	2-3	6	58933W	3-141	38	67355W	3-135	20
398817W	4-10	9	44308W	2-5	6	59419W	4-6	5	67355W	3-137	20
398817W	4-11	9	44308W	2-7	6	59419W	4-6	12	67355W	3-139	20
398817W	4-12	15	44308W	2-9	13	59419W	4-7	4	67355W	3-141	20
398817W	4-13	3	44308W	5-6	1	59419W	4-7	11	86596W	2-15	11
398817W	4-14	3	44308W	5-7	1	59419W	4-7	14	86596W	2-17	11
398817W	4-15	3	44308W	6-3		59419W	4-12	8	86596W	2-19	11
398888W	2-41	8	44308W	6-4		59419W	4-12	13	86596W	2-21	11
398888W	2-42	8	44310W	2-3	18	59419W	4-13	4A	86596W	2-23	11
398888W	2-43	8	44310W	2-5	19	59419W	4-13	7A	86596W	2-25	11
398888W	4-16	14	44310W	2-7	19	59419W	4-14	4A	86596W	2-27	11
399816W	1-3	28	44310W	2-9	30	59419W	4-14	7A	86596W	2-29	11
399816W	1-5	28	44310W	2-11	30	59419W	4-15	4A	86596W	2-31	11
399816W	1-7	28	44310W	2-13	30	59419W	4-15	7A	86596W	2-33	11
399816W	1-9	28	44310W	5-11	6	60653W	2-15	25	86596W	2-35	11
399816W	1-11	28	44310W	6-4		60653W	2-17	25	86596W	2-37	11
399816W	1-13	28	44503W	2-3	19	60653W	2-19	25	86596W	2-39	11
399816W	1-15	9	44503W	2-5	21	60653W	2-21	25	86596W	5-4	3
399816W	1-17	9	44503W	2-7	21	60653W	2-23	25	86596W	6-2	
399816W	1-19	9	44503W	2-9	32	60653W	2-25	25	87242W	1-44	9
399816W	1-21	9	44503W	2-11	32	60653W	2-27	25	87242W	1-45	10
399816W	1-23	9	44503W	2-13	32	60653W	2-29	25	87242W	1-46	11
399816W	1-25	9	44503W	5-5	6	60653W	2-31	25	87242W	1-47	9
41208W	2-5	2	44503W	6-3		60653W	2-33	25	87242W	1-51	6
41208W	2-7	2	46388W	1-26	12	60653W	2-35	25	87287W	2-15	13
41208W	2-11	14	46388W	1-27	12	60653W	2-37	25	87287W	2-17	13
41208W	2-13	14	46388W	1-36	13	60653W	2-39	25	87287W	2-19	13
41208W	2-39	2	46388W	1-37	13	60653W	3-43	27	87287W	2-21	13
41208W	2-39	15	46388W	1-38	10	60653W	3-65	27	87287W	2-23	13
41208W	5-6	2	46388W	1-39	27	60653W	3-69	27	87287W	2-25	13
41208W	5-7	2	46388W	1-42	18	60653W	3-75	27	87287W	2-27	13
41208W	5-8	1	46388W	1-44	15	60653W	3-79	27	87287W	2-29	13
41208W	5-11	7	46388W	1-45	31	60653W	3-83	27	87287W	2-31	13
41208W	6-3		46388W	1-46	6	60653W	3-87	27	87287W	2-33	13
41208W	6-4		46388W	1-47	14	60653W	5-4	8	87287W	2-35	13
41208W	6-4		46388W	1-48	5	60653W	6-2		87287W	2-37	13
41208W	6-4		46388W	1-50	15	61141W	3-43	16	87287W	2-39	13
41308W	2-3	2	46388W	1-51	8	61141W	3-45	11	87287W	5-4	4
41308W	2-9	14	55280W	3-111	13	61141W	3-47	11	87287W	6-2	
41308W	2-15	2	55280W	3-115	13	61141W	3-49	11	89056W	3-3	32
41308W	2-17	2	55280W	3-121	13	61141W	3-51	11	89056W	3-5	32
41308W	2-19	2	55280W	3-125	13	61141W	3-53	11	89056W	3-7	30
41308W	2-21	2	55280W	3-129	13	61141W	3-55	11	89056W	3-9	30
41308W	2-23	2	55280W	3-133	13	61141W	3-57	11	89056W	3-13	30
41308W	2-25	2	55280W	3-137	13	61141W	3-59	11	89056W	3-15	30
41308W	2-27	2	55468W	1-42	7	61141W	3-61	11	90207W	1-51	5
41308W	2-29	2	5586W	3-43	24	61141W	3-63	11	9033W	3-90	3

7-17

Part No.	Page No.	Item	Part No.	Page No.	Item	Part No.	Page No.	Item	Part No.	Page No.	Item
9033W	3-91	3	9554W	1-29	19	9554W	1-42	20	R14450	1-52	11
918906W	1-27	2	9554W	1-30	9	9554W	1-43	2	WR4-234B	4-17	
93166W	4-6	8	9554W	1-31	9	9554W	1-44	17	WR4-354B	4-17	
93166W	4-7	7	9554W	1-33	9	9554W	1-45	33	WR5-153B	4-17	
93166W	4-8	8	9554W	1-35	9	9554W	1-46	13	WR5-232B	4-17	
93166W	4-9	5	9554W	1-36	9	9554W	1-47	16	WR6-108B	4-17	
93166W	4-10	8	9554W	1-37	15	9554W	1-48	11	WR6-164B	4-17	
93166W	4-11	8	9554W	1-38	15	9554W	1-49	11	Y17C-1232	1-30	4
93166W	4-12	11	9554W	1-39	29	9554W	1-50	17	Y17C-1232	1-31	4
9554W	1-26	11	9554W	1-40	13	9554W	1-51	10	Y17C-1232	1-33	4
9554W	1-27	11	9554W	1-41	13	9554W	1-52	17	Y17C-1232	1-35	4

Intentionally Blank



To find a dealer in your area,
Call: (503) 625-2560,
Fax: (503) 625-7269 , or
E-mail: marketing@alliedsystems.com, or
Visit our website: <http://www.alliedsystems.com>

The logo for Allied Systems Company, featuring the words "Allied Systems" in a bold, italicized font above the word "COMPANY" in a smaller, bold, sans-serif font, all contained within a black rectangular border.

Allied Systems
COMPANY

2300191W 08/10/2015 Printed in USA