

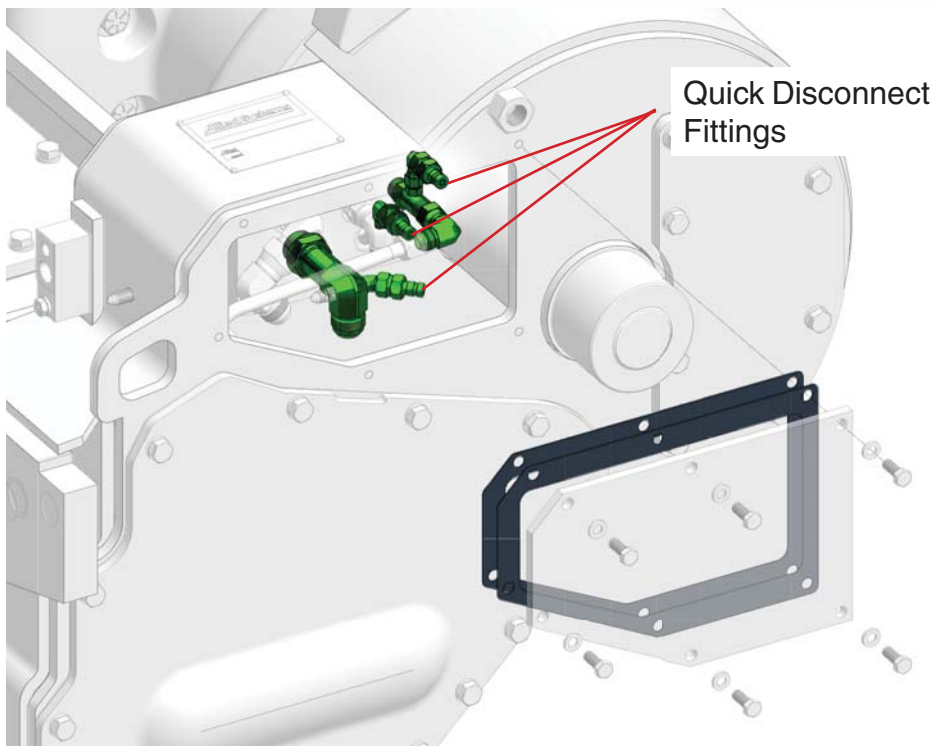


## Allied W8LP and AW8LP Winch Quick Disconnect Kit

### Applies to W8LP-1600 and above AW8LP-1001 through AW8LP-3835

Benefits: Faster Troubleshooting

- The quick disconnect kit 2314979 can be added to certain W8LP power controlled winches, making troubleshooting much more efficient.
- Easy, permanent modification.
- Upgrade your winch to current model design.
- All required parts included with the kit.
- No more loosening and adapting fittings - just hook up quick disconnect gauges to troubleshoot.
- Broad serial number range application.



Picture for illustration purposes only.

Please e-mail our Service Department, [service@alliedsystems.com](mailto:service@alliedsystems.com) for more information.

To order kit 2314979, please call our Service Parts department at 503.625.2560, or e-mail [parts@alliedsystems.com](mailto:parts@alliedsystems.com).

*Your OEM resource for Genuine Allied  
Winch Parts and Service*

**Allied Systems**  
COMPANY

21433 SW Oregon Street  
Sherwood, OR 97140 USA

Phone: 503.625.2560  
800.285.7000

Fax: 503.625.5132 800.231.3273

E-mail: [parts@alliedsystems.com](mailto:parts@alliedsystems.com)

Web: [www.alliedsystems.com](http://www.alliedsystems.com)