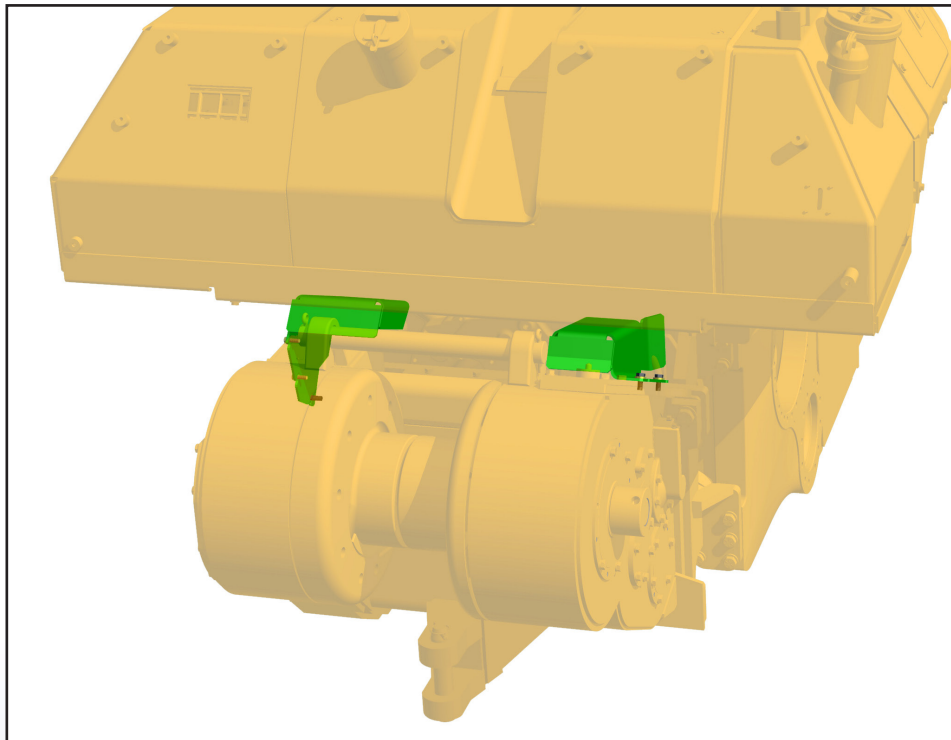


Applies to W6F Winches mounted on Caterpillar 527 Track Skidders (C40)

Purpose: Guarding Kit 2314862 protects your vital equipment, including:

- Caterpillar fuel drain valve
- Caterpillar transmission housing and hydraulic lines
- Allied control and freespool cables
- Pressure diagnostic lines
- Other exposed tractor hydraulics and electrical connections

To order kit 2314862, please call our Service Parts department at 503.625.2560, or e-mail parts@alliedsystems.com.



*Your OEM resource for Genuine Allied
Winch Parts and Service*

Allied Systems
COMPANY

21433 SW Oregon Street
Sherwood, OR 97140 USA

Phone: 503.625.2560
800.285.7000

Fax: 503.625.5132 800.231.3273

E-mail: parts@alliedsystems.com

Web: www.alliedsystems.com