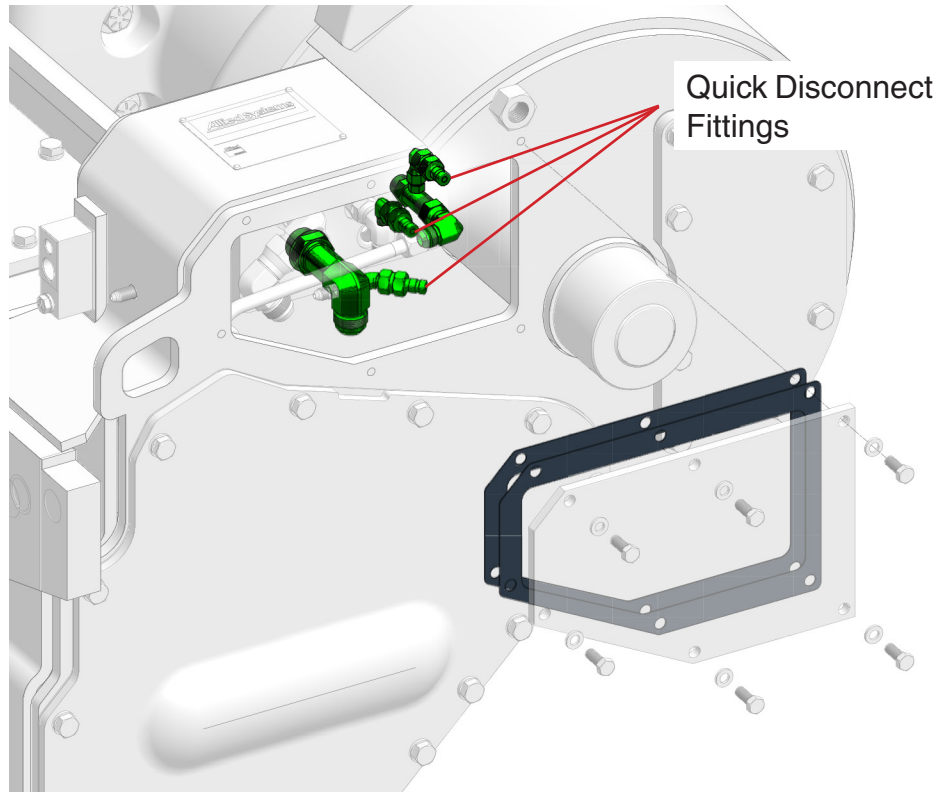


Applies to AW6F-4744 thru AW6F-5142 (Caterpillar Applications Only)

Purpose: Faster Troubleshooting

- The quick disconnect kit 2314197 can be added to certain W6F power controlled winches, making troubleshooting much more efficient.
- Easy, permanent modification.
- Upgrade your winch to current model design.
- All required parts included with the kit.
- No more loosening and adapting fittings - just hook up Caterpillar quick disconnect gauges to troubleshoot.
- Broad serial range application.



Do you have a winch prior to this serial number, or is mounted on a non-Caterpillar dozer that needs a quick disconnect kit? Please e-mail our Service Department, service@alliedsystems.com for more information.

To order kit 2314197, please call our Service Parts department at 503.625.2560, or e-mail parts@alliedsystems.com.

*Your OEM resource for Genuine Allied
Winch Parts and Service*