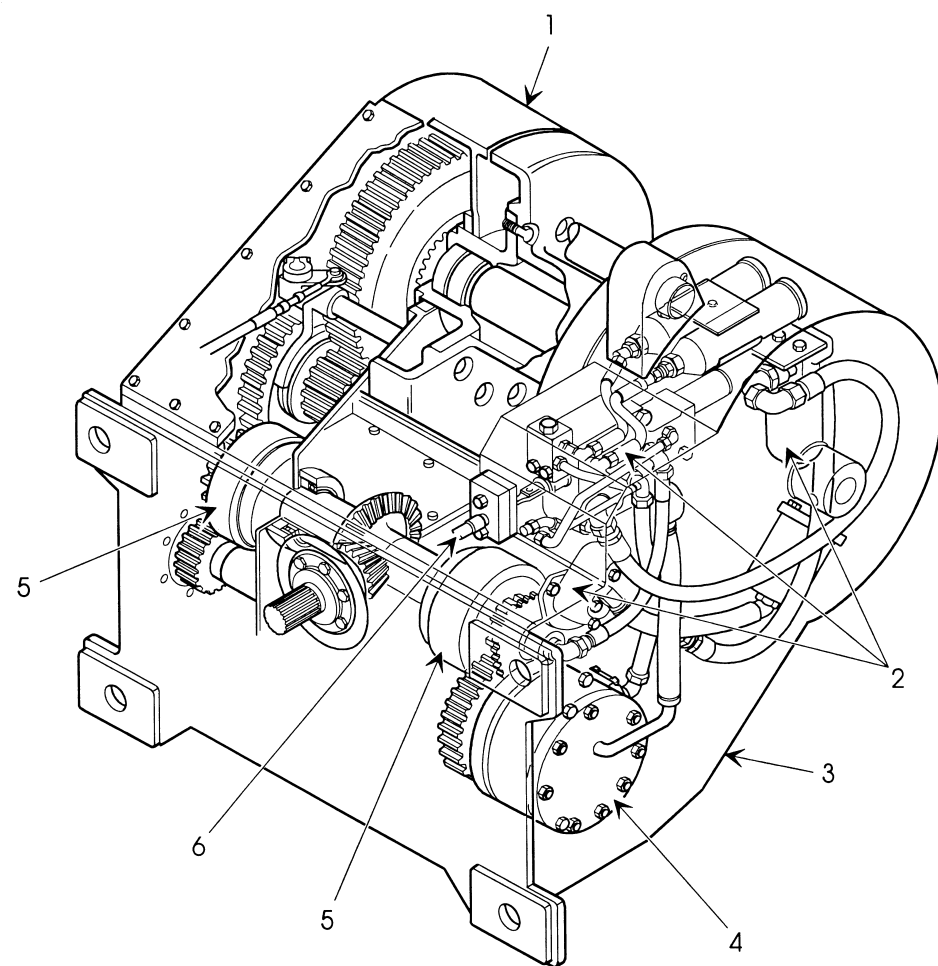




# ALLIED WINCHES FOR: CATERPILLAR TRACTORS

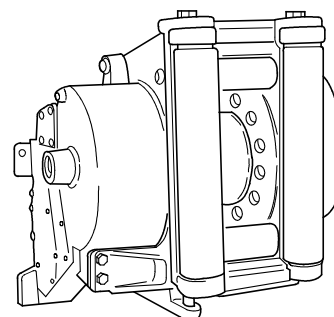


W6F/W8L/W12E shown. (Other models have similar features.)

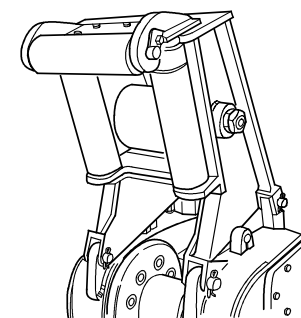
## Features

- |  |   |
|--|---|
| <p>1. <b>FLUSH DRUM</b><br/>Drum flush with frame to reduce line wear from side pulls.</p> <p>2. <b>SELF CONTAINED HYDRAULICS (SCH)</b><br/>Valve, pump, filter and hydraulic lines are inside winch for long component life and simplified winch installation.</p> <p>3. <b>HEAVY DUTY FRAME</b><br/>Protects, and allows easy access to internal components.</p> | <p>4. <b>OIL BRAKE</b><br/>Spring applied, multiple-disc hydraulically released and oil cooled for long life. No heat fade. Eliminates routine adjustments.</p> <p>5. <b>MULTI-DISC CLUTCH</b><br/>Hydraulically applied clutch is automatically synchronized with the oil brake for smooth winch line control.</p> <p>6. <b>SINGLE LEVER CONTROL</b><br/>Connected to single spool control valve for excellent line control regardless of application.</p> |
|--|---|

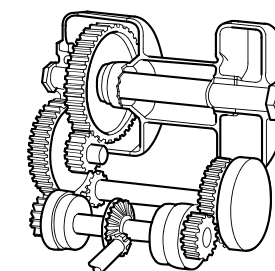
## Options



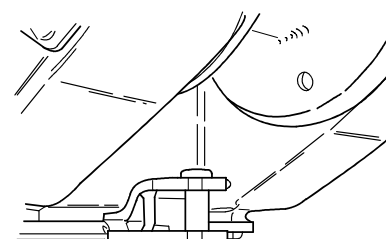
**FAIRLEAD**  
Permits maximum line pull from all angles.



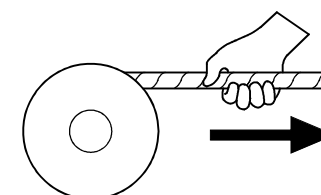
**ARCH**  
Permits maximum line pull from angles and lifts load off ground for ease of skidding.



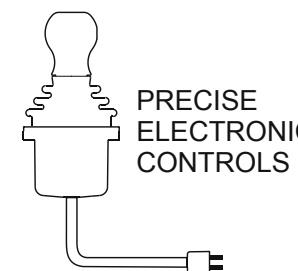
**SLOW GEAR RATIO**  
For precise line speed control and increased line pull capacity.



**DRAWBAR**  
For pulling. Optional on H4A. Standard on H5C, H6G, W5C, W6F, W6G, W8L and W12E.



**FREESPOOL**  
Disconnects drum from gearing drag to allow cable to be easily pulled out by hand. Standard on H4A, H5C, H6G, W5C, W6F and W6G.



**PRECISE ELECTRONIC CONTROLS**  
**ELECTRONIC CONTROLS**  
Simplified winch installation: only one wire harness needed to connect to control joystick. Provides unparalleled line speed control.

## Parts and Service Support

Our parts depot carries a large parts inventory to support your dealer. Orders are generally filled within 24 hours from our depot to the dealer. Contact your tractor dealer for your winch parts and service.

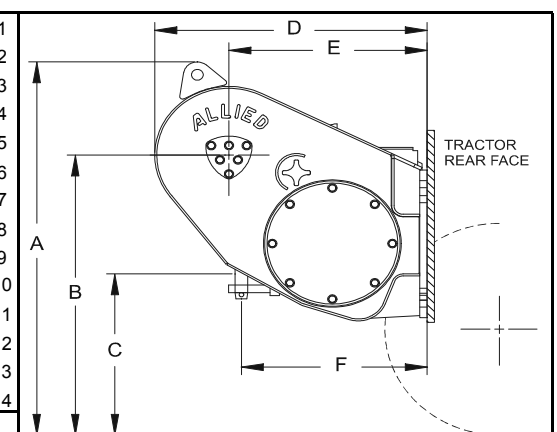


## WINCH DIVISION

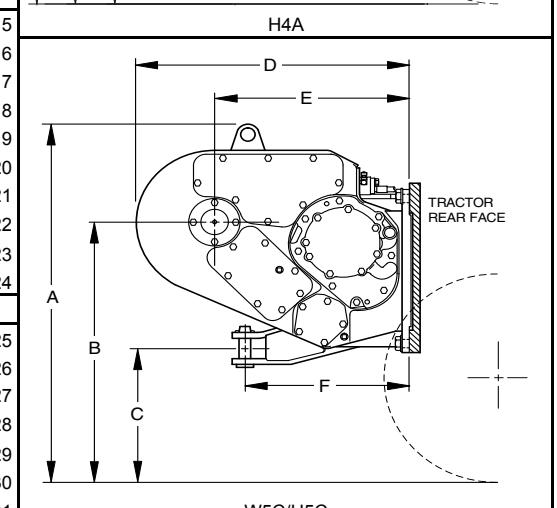
21433 SW OREGON STREET  
SHERWOOD, OREGON 97140-9799, USA  
PHONE: (503) 625-2560  
FAX: (503) 625-7269 • (503) 625-5132  
marketing@alliedsystems.com  
www.alliedsystems.com

## ALLIED WINCHES FOR CATERPILLAR TRACTORS

1	<b>TRACTOR MODEL</b>		D3,4,5K	D3,4,5K	D6K	D6K	D6G II	527	D6N	D6T D6R III	D7R II	D7G D7G II	D8T D8R III	583T 587T	D9T	D10T
2	<b>WINCH MODEL</b>		H4AT	H4AH	H5CT*	H5CH*	W6F	W6F	H6GT*	W6G	W8L	W8L	W12E	W12E	W12E	W12E
3	<b>TYPE: HYDRAULIC (HYD) / POWER TAKE OFF (PTO)</b>		HYD	HYD	HYD	HYD	PTO	PTO	HYD	PTO	PTO	PTO	PTO	PTO	PTO	PTO
4	<b>CONFIGURATION: Rescue / High Performance (Hi-P)</b>		RESCUE	HI-P	RESCUE	HI-P			RESCUE							
5	<b>STANDARD GEAR RATIO</b>		124/1	94/1	45/1	45/1	55/1	55/1	60/1	45/1	50/1	47/1	150/1	150/1	150/1	150/1
6	S T A R E D R U M	<b>Maximum Line Pull (pounds)**</b>	<b>31900</b>	<b>38600</b>	<b>63700</b>	<b>55700</b>	<b>89800</b>	<b>89800</b>	<b>77600</b>	<b>89800</b>	<b>108700</b>	<b>106000</b>	<b>138800</b>	<b>138800</b>	<b>138800</b>	<b>138800</b>
7		Line Speed @	28 fpm	105 fpm	25 fpm	128 fpm	105 fpm	115 fpm	20 fpm	129 fpm	125 fpm	122 fpm	58 fpm	58 fpm	50 fpm	54 fpm
8	A D R U M	Typical Working Load of (pounds)	10400	10400	14200	14200	20000	20000	20700	20000	40000	40000	80000	80000	80000	90000
9		<b>Maximum Line Speed</b>	<b>46 fpm</b>	<b>105 fpm</b>	<b>27 fpm</b>	<b>137 fpm</b>	<b>114 fpm</b>	<b>120 fpm</b>	<b>22 fpm</b>	<b>149 fpm</b>	<b>170 fpm</b>	<b>166 fpm</b>	<b>66 fpm</b>	<b>66 fpm</b>	<b>56 fpm</b>	<b>58 fpm</b>
10	D A R E D R U M	Maximum Line Pull (pounds)	18200	22100	34400	30000	69000	61700	40200	57600	64900	65000	138800	138800	138800	138800
11		Line Speed @	49 fpm	110 fpm	47 fpm	100 fpm	170 fpm	190 fpm	38 fpm	198 fpm	126 fpm	117 fpm	82 fpm	82 fpm	75 fpm	82 fpm
12		Typical Working Load of (pounds)	10400	10400	14200	14200	20000	20000	20700	20000	40000	40000	80000	80000	80000	90000
13		Maximum Line Speed	81 fpm	184 fpm	50 fpm	254 fpm	200 fpm	218 fpm	41 fpm	270 fpm	281 fpm	270 fpm	102 fpm	102 fpm	87 fpm	91 fpm
14																

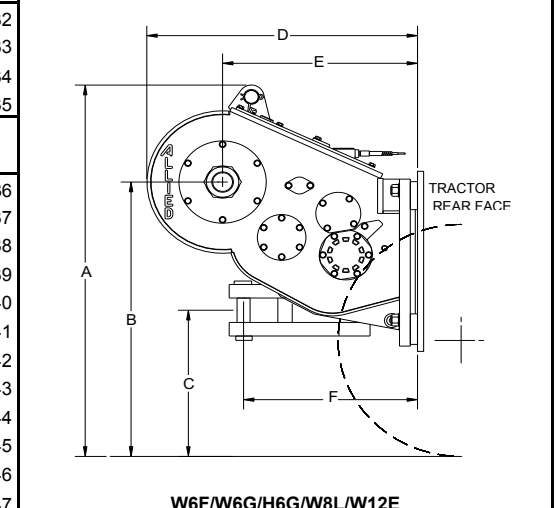


15	O P T I O N A L G E A R R A T I O S (Shaded ratios not available for this model)	56/1								119 fpm						
16		72/1									118 fpm	115 fpm				
17		83/1 (W6G), 85/1 (W6F)					75 fpm	77 fpm			81 fpm					
18		94/1									91 fpm	88 fpm				
19		103/1 (W6G), 106/1 (W6F)					60 fpm	62 fpm			65 fpm					
20		116/1		85 fpm												
21		125/1									74 fpm					
22	153/1									44 fpm						
23																
24																



25	D I M E N S I O N A L D A T A (See illustrations)	A Ground to highest point	45 in.	45 in.	44 in.	44 in.	55 in.	61 in.	56 in.	61 in.	63 in.	62 in.	69 in.	68 in.	66 in.	81 in.
26		B Ground to drum center	34 in.	34 in.	31 in.	31 in.	41 in.	47 in.	42 in.	47 in.	48 in.	47 in.	53 in.	52 in.	50 in.	65 in.
27		C Ground to drawbar center	24 in.	24 in.	15 in.	15 in.	22 in.	28 in.	23 in.	28 in.	24 in.	22 in.	27 in.	26 in.	24 in.	39 in.
28		D Tractor face to end of winch	32 in.	32 in.	34 in.	34 in.	33 in.	41 in.	47 in.	49 in.	49 in.	34 in.	58 in.	58 in.	56 in.	56 in.
29		E Tractor face to drum center	24 in.	24 in.	25 in.	25 in.	23 in.	30 in.	37 in.	38 in.	38 in.	23 in.	45 in.	46 in.	44 in.	44 in.
30		F Tractor face to drawbar center	23 in.	23 in.	22 in.	22 in.	22 in.	29 in.	35 in.	37 in.	42 in.	27 in.	50 in.	50 in.	48 in.	48 in.
31		G Winch max. width (not shown)	29 in.	29 in.	32 in.	32 in.	40 in.	40 in.	38 in.	38 in.	41 in.	41 in.	48 in.	48 in.	48 in.	48 in.

32	W E I G H T S (Shaded option not available)	Winch, approx. w/o cable	1840 lbs.	1840 lbs.	1800 lbs.	1900 lbs.	3000 lbs.	3100 lbs.	2250 lbs.	3350 lbs.	3500 lbs.	2950 lbs.	6100 lbs.	6100 lbs.	6100 lbs.	8330 lbs.
33		Fairlead	310 lbs.	310 lbs.	450 lbs.	450 lbs.	800 lbs.	800 lbs.	800 lbs.	800 lbs.	800 lbs.	800 lbs.	1230 lbs.	1230 lbs.	1230 lbs.	w/winch
34		Drawbar	30 lbs.	30 lbs.	w/winch	w/winch	w/winch	w/winch	w/winch	w/winch	w/winch	w/winch	w/winch	w/winch	w/winch	w/winch
35		Integral Arch		420 lbs.		875 lbs.	1015 lbs.	1015 lbs.		1015 lbs.						



36	W I N C H C A P A C I T Y (Shaded option not available) (Cable capacity of drum based on SAE J1158 JAN 85)	W i n c h M o d e l  H4A W5C/H5C W6F/W6G/H6G W8L W12E	B a r r e l D i a m e t e r	C A B L E D I A M E T E R							F E R R U L E			** Maximum line pull is the lesser of the maximum line pull that the tractor will develop with the standard gear ratio or the breaking strength for the maximum recommended cable for that winch model.
37				1/2 in.	5/8 in.	3/4 in.	7/8 in.	1 in.	1 1/8 in.	1 1/4 in.	Name	Length	Diameter	
38				8.00 in.	422 ft.	277 ft.	195 ft.				Bantam	2 in.	1 1/2 in.	
39				8.56 in.		423 ft.	298 ft.	215 ft.			Light	2 1/4 in.	2 in.	
40				10.00 in.			399 ft.	287 ft.	223 ft.		Light	2 1/4 in.	2 in.	
41	12.00 in.				354 ft.	275 ft.	220 ft.	Junior	2 3/8 in.	2 1/4 in.				
42	14.00 in.					285 ft.	228 ft.	181 ft.	Junior	2 3/8 in.	2 1/4 in.			

Notes: \* H5C and H6G were previously known as WH5C and WH6G. The "W" designation has been dropped for simplicity.

Allied Systems Company reserves the right to change and/or improve specifications and performance at its own discretion without prior notice. Check with dealer for latest data.