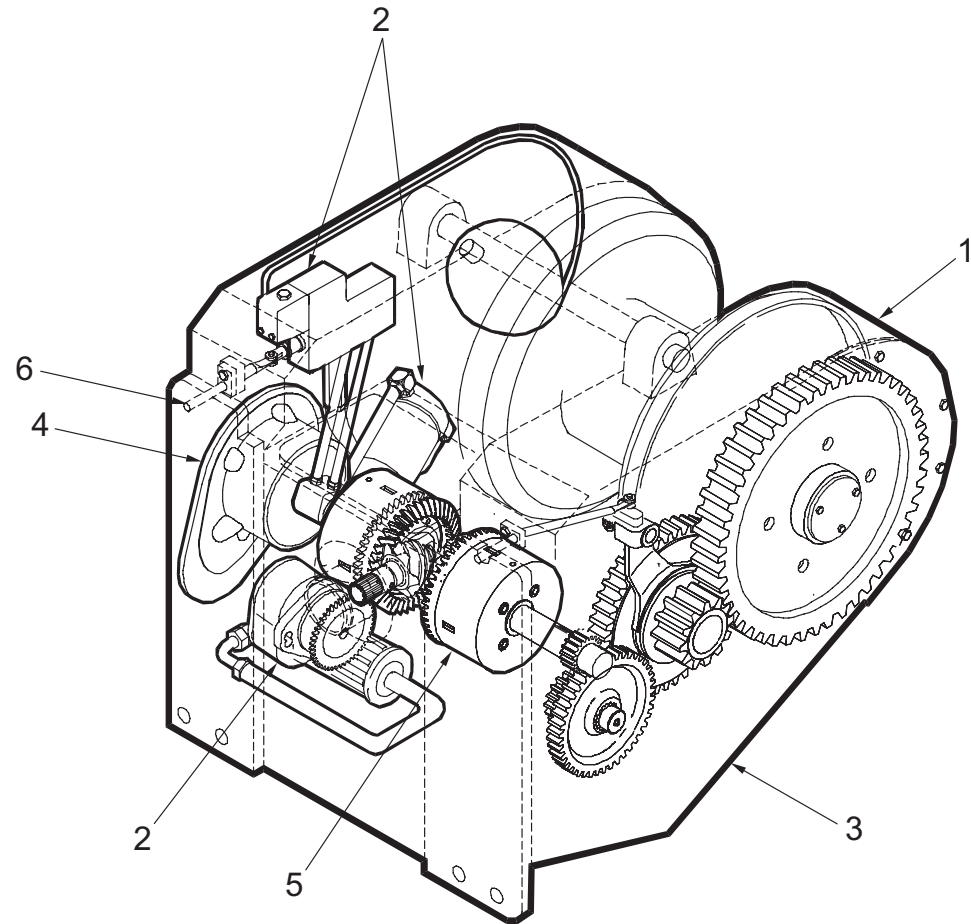




# ALLIED WINCHES FOR: CASE DOZERS

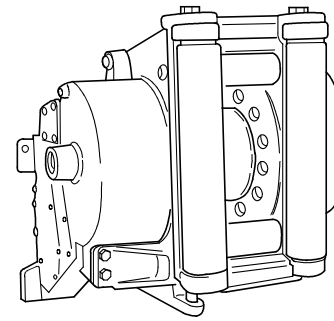


W5C shown. (Other models have similar features.)

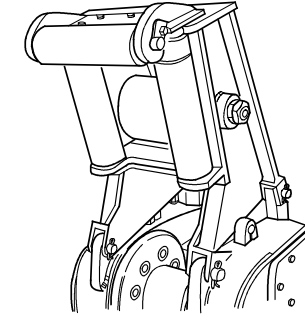
## Features

- 1. FLUSH DRUM**  
Drum flush with frame to reduce line wear from side pulls.
- 2. SELF CONTAINED HYDRAULICS (SCH)**  
Valve, pump, filter and hydraulic lines are inside winch for long component life and simplified winch installation.
- 3. HEAVY DUTY FRAME**  
Protects, and allows easy access to internal components.
- 4. OIL BRAKE**  
Spring applied, multiple-disc hydraulically released and oil cooled for long life. No heat fade. Eliminates routine adjustments.
- 5. MULTI-DISC CLUTCH**  
Hydraulically applied clutch is automatically synchronized with the oil brake for smooth winch line control.
- 6. SINGLE LEVER CONTROL**  
Connected to single spool control valve for excellent line control regardless of application.

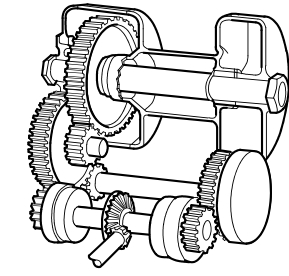
## Options



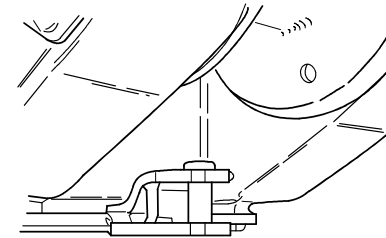
**FAIRLEAD**  
Permits maximum line pull from all angles.



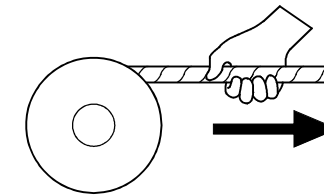
**ARCH**  
Permits maximum line pull from angles and lifts load off ground for ease of skidding.



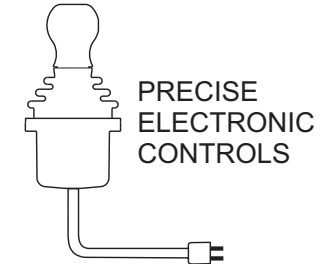
**SLOW GEAR RATIO**  
For precise line speed control and increased line pull capacity.



**DRAWBAR**  
For pulling. Optional on W3C. Standard on W5C and W6G.



**FREESPOOL**  
Disconnects drum from gearing drag to allow cable to be easily pulled out by hand. Standard on W3C, W5C and W6G.



**PRECISE ELECTRONIC CONTROLS**  
**ELECTRONIC CONTROLS**  
Simplified winch installation: only one wire harness needed to connect to control joystick. Provides unparallelled line speed control.

## Parts and Service Support

Our parts depot carries a large parts inventory to support your dealer. Orders are generally filled within 24 hours from our depot to the dealer. Contact your dozer dealer for your winch parts and service.

**Allied Systems**  
COMPANY

### WINCH DIVISION

21433 SW OREGON STREET  
SHERWOOD, OREGON 97140-9799, USA  
PHONE: (503) 625-2560  
FAX: (503) 625-7269 • (503) 625-5132  
marketing@alliedsystems.com  
www.alliedsystems.com

# ALLIED WINCHES FOR CASE DOZERS

1 DOZER MODEL	650K	750-850K	750-850L	1150H Hi-range	1150H Lo-range	1150K	1650L	1650L	1850K
2 WINCH MODEL	W3C	W3C	W3C	W5C	W5C	W5C	W5C	W6G	W6G
3 WINCH TYPE	PTO	PTO	PTO	PTO	PTO	PTO	PTO	PTO	PTO
4 STANDARD GEAR RATIOS	61/1	61/1	61/1	63/1	63/1	66/1	66/1	83/1	83/1
5 S	<b>Maximum Line Pull (pounds)*</b>								
6 T BARE	34800	40300	51200	69200	69200	66700	69200	83900	89800
7 A DRUM	Line Speed @								
8 N	88 fpm	88 fpm	71 fpm	84 fpm	67 fpm	86 fpm	82 fpm	75 fpm	55 fpm
9 D	Typical Working Load of (pounds)								
10 A FULL	10000	10000	10000	20000	20000	20000	20000	30000	30000
11 R DRUM	<b>Maximum Line Speed</b>								
12 D	91 fpm	91 fpm	71 fpm	100 fpm	72 fpm	88 fpm	82 fpm	75 fpm	75 fpm
13	Maximum Line Pull (pounds)*								
	18900	23100	31000	60900	69200	36000	42600	45400	89800
	Line Speed @								
	149 fpm	149 fpm	124 fpm	132 fpm	102 fpm	155 fpm	152 fpm	140 fpm	111 fpm
	Typical Working Load of (pounds)								
	10000	10000	10000	20000	20000	20000	20000	30000	30000
	Maximum Line Speed								
	158 fpm	158 fpm	124 fpm	186 fpm	134 fpm	163 fpm	152 fpm	140 fpm	139 fpm

14 O										112 fpm	111 fpm
15 P	MAXIMUM LINE	56/1									
16 T	SPEED BARE	100/1 (95/1 - 1150H ONLY)				66 fpm	48 fpm	58 fpm	54 fpm		
17 I	DRUM @ THIS	103/1								61 fpm	60 fpm
18 O	GEAR RATIO	153/1								41 fpm	41 fpm
19 N	(Shaded ratios not										
20 A	available for this model)										
21 L											

22	<b>DIMENSIONAL DATA</b> (See illustrations)	A Ground to highest point	42 in.	42 in.	42 in.	49 in.	49 in.	48 in.	47 in.	51 in.	57 in.
23		B Ground to drum center	31 in.	31 in.	31 in.	36 in.	36 in.	35 in.	34 in.	37 in.	43 in.
24		C Ground to drawbar center	15 in.	15 in.	15 in.	20 in.	20 in.	19 in.	18 in.	18 in.	24 in.
25		D Dozer face to end of winch	36 in.	36 in.	36 in.	35 in.	35 in.	35 in.	35 in.	40 in.	40 in.
26		E Dozer face to drum center	27 in.	27 in.	27 in.	26 in.	26 in.	26 in.	25 in.	30 in.	29 in.
27		F Dozer face to drawbar center	28 in.	28 in.	28 in.	22 in.	22 in.	22 in.	22 in.	29 in.	28 in.
28		G Winch widest width (not shown)	28 in.	28 in.	28 in.	32 in.	32 in.	32 in.	32 in.	38 in.	38 in.

29	<b>SHIPPING WEIGHTS</b>	Winch, approx. w/o cable	1530 lbs.	1530 lbs.	1530 lbs.	2100 lbs.	2100 lbs.	2100 lbs.	2100 lbs.	2900 lbs.	2900 lbs.
30		Fairlead	310 lbs.	310 lbs.	310 lbs.	450 lbs.	450 lbs.	450 lbs.	450 lbs.	800 lbs.	800 lbs.
31		Drawbar	55 lbs.	55 lbs.	55 lbs.	w/winch	w/winch	w/winch	w/winch	w/winch	w/winch
32		Integral Arch	420 lbs.	420 lbs.	420 lbs.	875 lbs.	875 lbs.	875 lbs.	875 lbs.	1015 lbs.	1015 lbs.

<b>CABLE CAPACITY</b>													
33	<b>WINCH CABLE CAPACITY</b> (Shaded options unavailable) (Cable capacity of drum is based on SAE J1158 Jan 85)	<b>Winch Model</b>	Barrel Diameter	CABLE DIAMETER					FERRULE				
34									Name	Length	Diameter		
35			<b>W3C</b>	8.00 in.	354 ft.	232 ft.	164 ft.	215 ft.	215 ft.	215 ft.	Bantam	2 in.	1 1/2 in.
36			<b>W5C</b>	8.56 in.	423 ft.	298 ft.	215 ft.	215 ft.	215 ft.	215 ft.	Light	2 1/4 in.	2 in.
37			<b>W6G</b>	10.00 in.	399 ft.	287 ft.	223 ft.	223 ft.	223 ft.	223 ft.	Light	2 1/4 in.	2 in.

41 **Notes:** \* Maximum line pull is the lesser of the maximum line pull that the dozer will develop with the standard gear ratio or the breaking strength  
 42 for the maximum recommended cable for that winch model.  
 43  
 44  
 45 Allied Systems Company reserves the right to change and/or improve specifications and performance at its own discretion without prior notice. Check with dealer for latest data.

