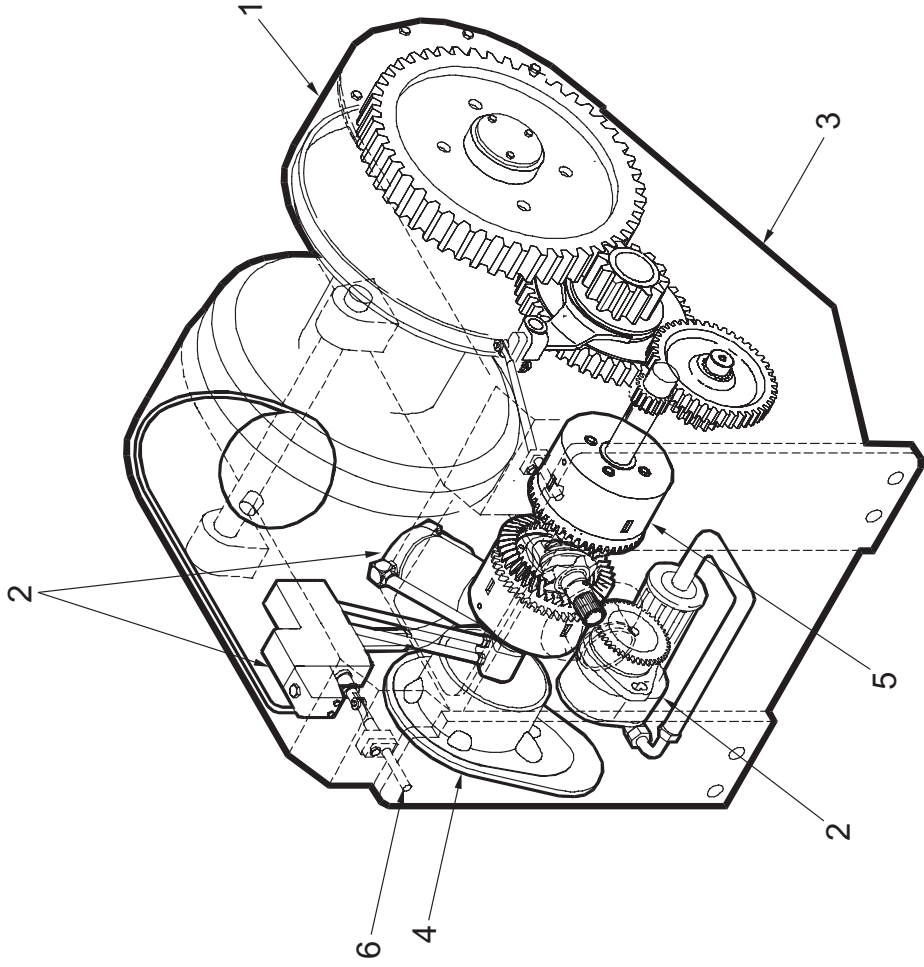




# ALLIED WINCHES FOR: CASE DOZERS

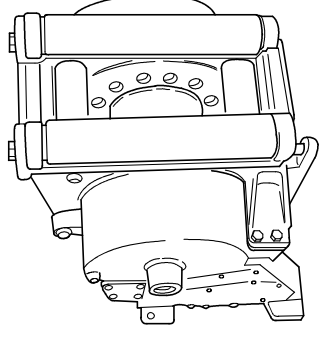


W5C shown. (Other models have similar features.)

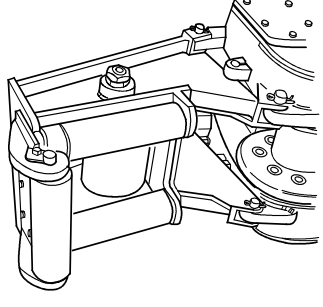
## Features

- 1. FLUSH DRUM**  
Drum flush with frame to reduce line wear from side pulls.
- 2. SELF CONTAINED HYDRAULICS (SCH)**  
Valve, pump, filter and hydraulic lines are inside winch for long component life and simplified winch installation.
- 3. HEAVY DUTY FRAME**  
Protects, and allows easy access to internal components.
- 4. OIL BRAKE**  
Spring applied, multiple-disc hydraulically released and oil cooled for long life. No heat fade. Eliminates routine adjustments.
- 5. MULTI-DISC CLUTCH**  
Hydraulically applied clutch is automatically synchronized with the oil brake for smooth winch line control.
- 6. SINGLE LEVER CONTROL**  
Connected to single spool control valve for excellent line control regardless of application.

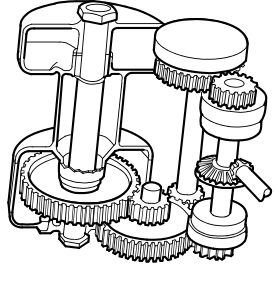
## Options



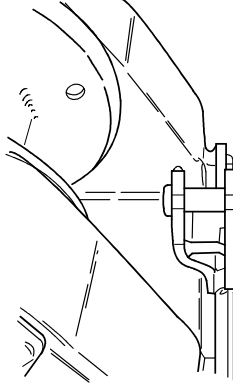
**FAIRLEAD**  
Permits maximum line pull from all angles.



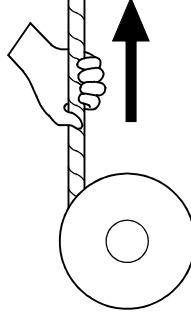
**ARCH**  
Permits maximum line pull from angles and lifts load off ground for ease of skidding.



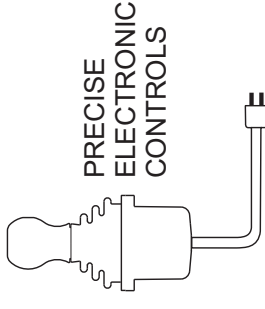
**SLOW GEAR RATIO**  
For precise line speed control and increased line pull capacity.



**DRAWBAR**  
For pulling. Optional on W3C. Standard on W5C, W6G, W8L and W12E.



**FREESPOOL**  
Disconnects drum from gearing drag to allow cable to be easily pulled out by hand. Standard on W3C, W5C and W6G. Optional on W8L.



**PRECISE ELECTRONIC CONTROLS**  
**ELECTRONIC CONTROLS**  
Simplified winch installation: only one wire harness needed to connect to control joystick. Provides unparalleled line speed control.

## Parts and Service Support

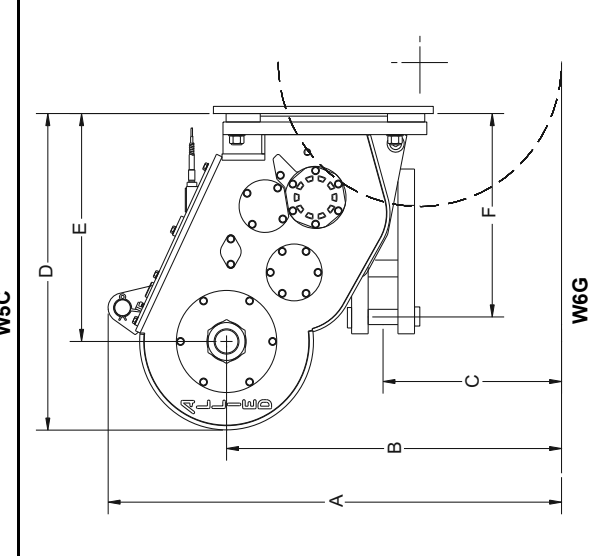
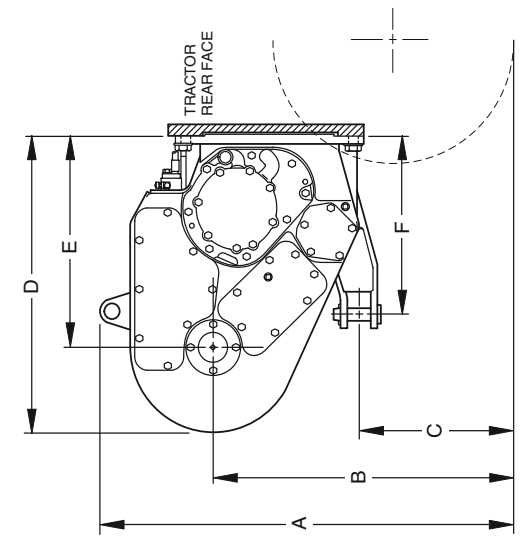
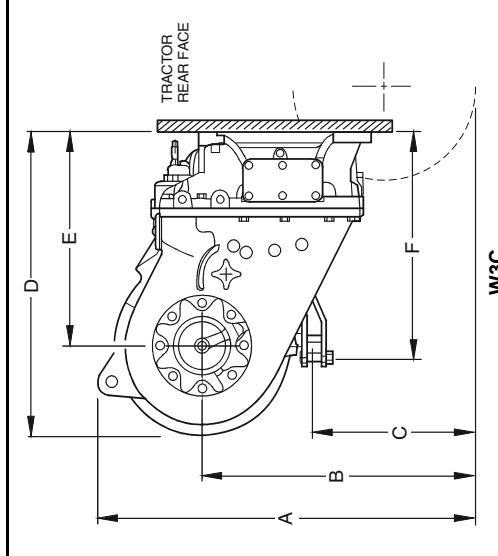
Our parts depot carries a large parts inventory to support your dealer. Orders are generally filled within 24 hours from our depot to the dealer. Contact your tractor dealer for your winch parts and service.

**Allied Systems**  
COMPANY  
**WINCH DIVISION**

21433 SW OREGON STREET  
SHERWOOD, OREGON 97140-9799, U.S.A.  
TELEPHONE: (503) 625-2560  
FAX: (503) 625-7269 • (503) 625-5132  
E-MAIL: [marketing@alliedsystems.com](mailto:marketing@alliedsystems.com)  
<http://www.alliedsystems.com>

# ALLIED WINCHES FOR CASE DOZERS

1	DOZER MODEL	650H	650K	750H	750K	850K	1150H Hi-range	1150H Lo-range	1150K	1650L	1650L	1650L	1850K
2	WINCH MODEL	W3C	W3C	W3C	W3C	W3C	W5C	W5C	W5C	W5C	W5C	W6G	W6G
3	STANDARD GEAR RATIO S	39/1	61/1	39/1	61/1	61/1	63/1	63/1	66/1	66/1	66/1	83/1	83/1
4	Maximum Line Pull (pounds)*	51200	34800	51200	40300	41800	69200	69200	60350	69200	69200	83900	89800
5	Line Speed @ Typical Working Load of (pounds)	106 fpm	88 fpm	109 fpm	88 fpm	89 fpm	84 fpm	63 fpm	86 fpm	82 fpm	82 fpm	75 fpm	55 fpm
6	Maximum Line Speed	110 fpm	91 fpm	110 fpm	91 fpm	91 fpm	90 fpm	65 fpm	88 fpm	82 fpm	82 fpm	75 fpm	75 fpm
7	Maximum Line Pull (pounds)*	34200	18900	32400	23100	24000	60900	69200	32528	42600	42600	45300	89800
8	Line Speed @ Typical Working Load of (pounds)	159 fpm	149 fpm	159 fpm	149 fpm	151 fpm	100 fpm	72 fpm	155 fpm	97 fpm	97 fpm	140 fpm	102 fpm
9	Maximum Line Speed	190 fpm	158 fpm	190 fpm	158 fpm	158 fpm	193 fpm	140 fpm	163 fpm	97 fpm	97 fpm	140 fpm	139 fpm
10	Full Drum												
11	Typical Working Load of (pounds)	10000	10000	10000	10000	10000	20000	20000	20000	20000	20000	30000	30000
12	Maximum Line Speed	190 fpm	158 fpm	190 fpm	158 fpm	158 fpm	193 fpm	140 fpm	163 fpm	97 fpm	97 fpm	140 fpm	139 fpm
13	OP MAXIMUM LINE SPEED BARE DRUM @ THIS GEAR RATIO	35/1					191 fpm	138 fpm					111 fpm
14	Typical Working Load of (pounds)	75 fpm											
15	Line Speed @ Typical Working Load of (pounds)												
16	Maximum Line Speed												
17	Line Speed @ Typical Working Load of (pounds)												
18	Maximum Line Speed												
19	Line Speed @ Typical Working Load of (pounds)						66 fpm	48 fpm	58 fpm	54 fpm		61 fpm	60 fpm
20	Maximum Line Speed											41 fpm	41 fpm
21	Line Speed @ Typical Working Load of (pounds)												
22	Ground to highest point	43 in.	42 in.	43 in.	42 in.	42 in.	49 in.	49 in.	48 in.	46 in.			57 in.
23	Ground to drum center	32 in.	31 in.	32 in.	31 in.	31 in.	36 in.	36 in.	35 in.	34 in.			43 in.
24	Ground to drawbar center	16 in.	15 in.	16 in.	15 in.	15 in.	20 in.	20 in.	19 in.	18 in.			24 in.
25	Dozer face to end of winch	36 in.	36 in.	36 in.	36 in.	36 in.	35 in.	35 in.	35 in.	35 in.			40 in.
26	Dozer face to drum center	27 in.	27 in.	27 in.	27 in.	27 in.	26 in.	26 in.	26 in.	25 in.			29 in.
27	Dozer face to drawbar center	28 in.	28 in.	28 in.	28 in.	28 in.	22 in.	22 in.	22 in.	22 in.			27 in.
28	Winch widest width (not shown)	28 in.	28 in.	28 in.	28 in.	28 in.	32 in.	32 in.	32 in.	32 in.			38 in.
29	Winch, approx. w/o cable	1500 lbs.	1530 lbs.	1500 lbs.	1530 lbs.	1530 lbs.	2100 lbs.	2100 lbs.	2100 lbs.	2100 lbs.			2900 lbs.
30	Fairlead	310 lbs.	310 lbs.	310 lbs.	310 lbs.	310 lbs.	400 lbs.	400 lbs.	400 lbs.	400 lbs.			750 lbs.
31	Drawbar	55 lbs.	55 lbs.	55 lbs.	55 lbs.	55 lbs.	w/winch	w/winch	w/winch	w/winch			w/winch
32	Integral Arch	420 lbs.	420 lbs.	420 lbs.	420 lbs.	420 lbs.	875 lbs.	875 lbs.	875 lbs.	875 lbs.			1015 lbs.



### CABLE CAPACITY

33	WINCH MODEL	CABLE DIAMETER				FERRULE			
		Barrel Diameter	1/2 in.	5/8 in.	3/4 in.	7/8 in.	1 in.	Name	Length
34	W3C	8.00 in.	354 ft.	232 ft.	164 ft.		Bantam	2 in.	1 1/2 in.
35		8.56 in.		423 ft.	298 ft.	215 ft.	Light	2 1/4 in.	2 in.
36		10.00 in.		399 ft.	287 ft.	223 ft.	Light	2 1/4 in.	2 in.

**Notes:**

33 \* Maximum line pull is the lesser of the maximum line pull that the dozer will develop with the standard gear ratio or the breaking strength for the maximum recommended cable for that winch model.

34

35

36

37

38

39

40

41

42

43

44

45 Allied Systems Company reserves the right to change and/or improve specifications and performance at its own discretion without prior notice. Check with dealer for latest data.