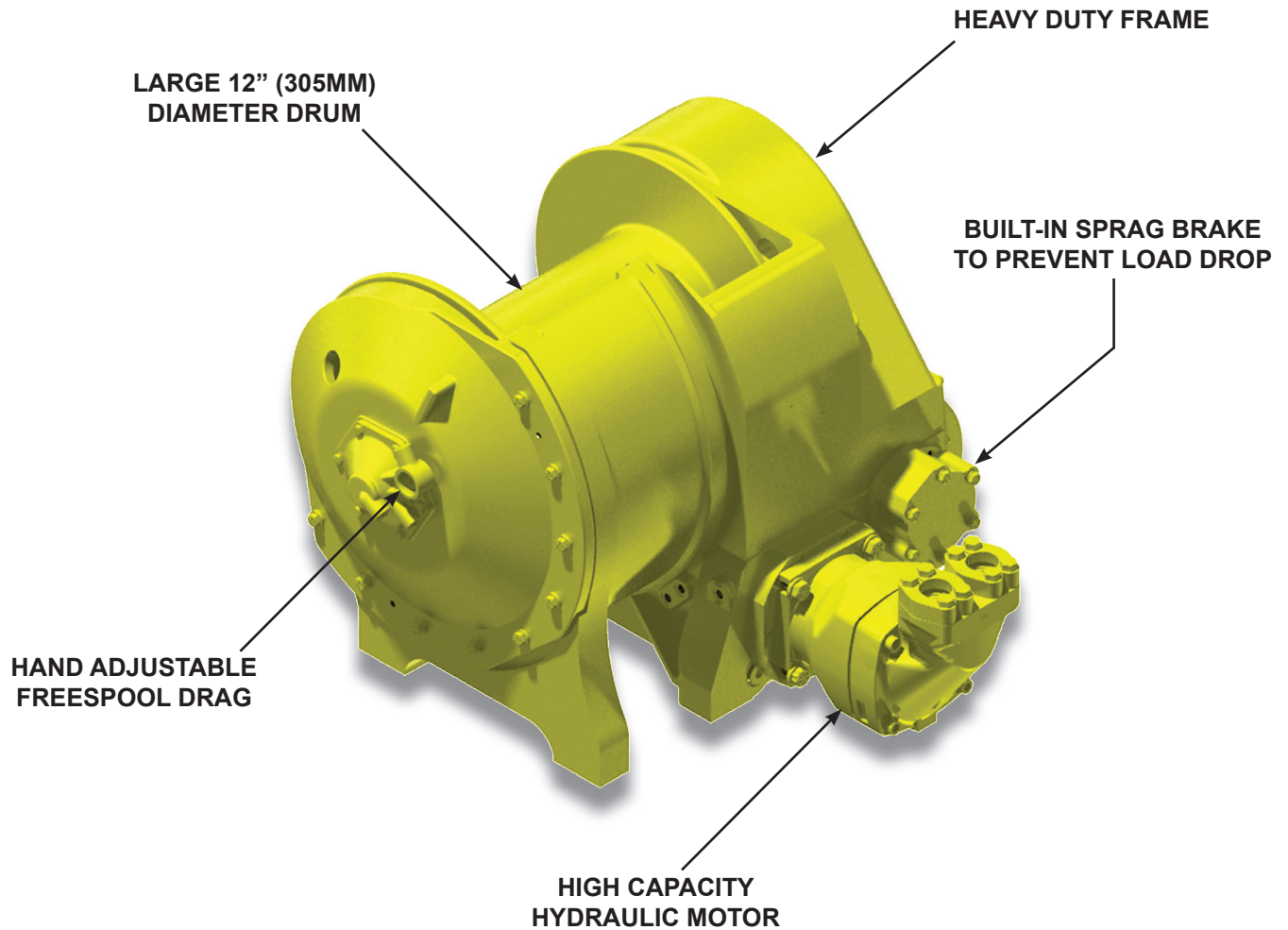


WH411Y Series Yarder Winches

Features



Specifications

Rotation

DrumOverwind

Gear Case Oil

Capacity (Normal Operation at Fill Level Plug)4 Gallons
 [15.1 liters]
 (Long Term Storage to the Breather).....9 Gallons
 [34.1 liters]
 Supply.... Regulated Pressure Valve 240-270 psi [16.9-19 kgf/cm²]

Features

- Power-In and Freespool Line-Out
- Freespool Allows Carriage to be Returned by Gravity
- Oil Cooled Clutch (Optional Dry Clutch)
- Modulated Freespool
- Sprag Brake
- Rugged and Durable

Maximum Line Pull Capacity (Bare Drum)

See Reverse

Drum Size and Capacities

Barrel Diameter12.0" [305 mm]
 Barrel Width18.25" [463 mm]
 Capacity with 5/8" [15.9 mm] Wire Rope1003 ft. [305 m]
 Capacity with 3/4" [19.1 mm] Wire Rope707 ft. [215 m]
 Capacity with 7/8" [22.2 mm] Wire Rope509 ft. [155 m]
 Ferrule2.00" X Ø1.50" [50.8 mm X Ø38.1 mm]

Gear Ratio

WH411Y Series24.88:1

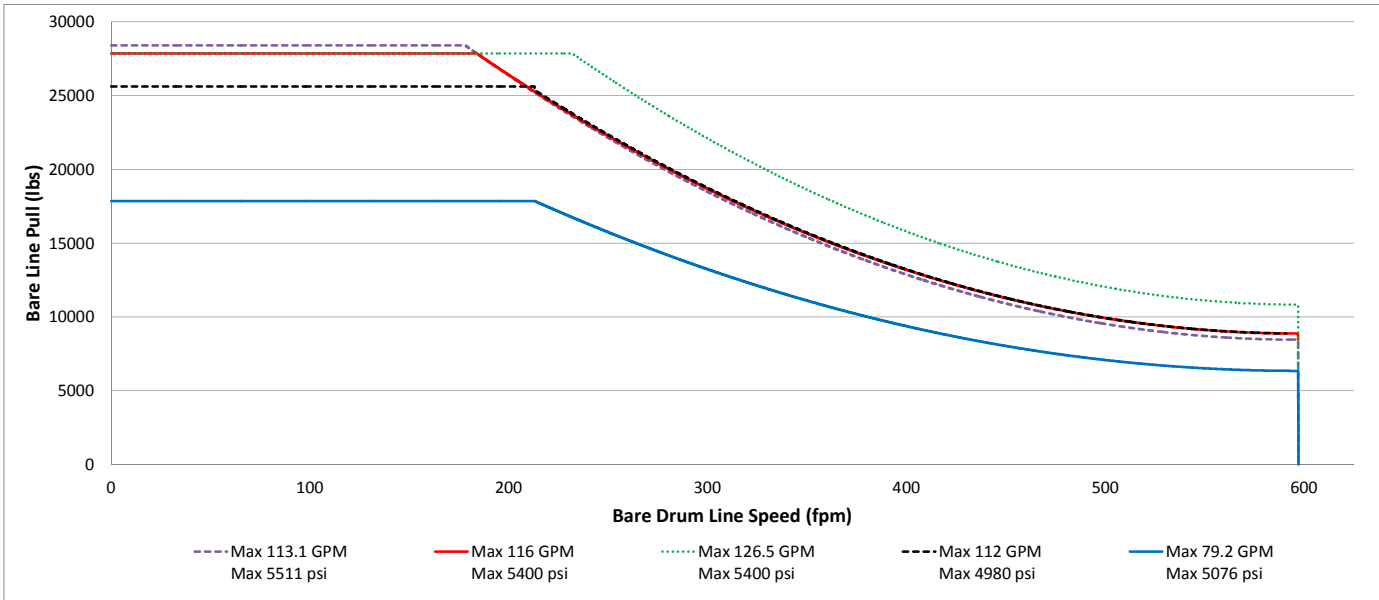
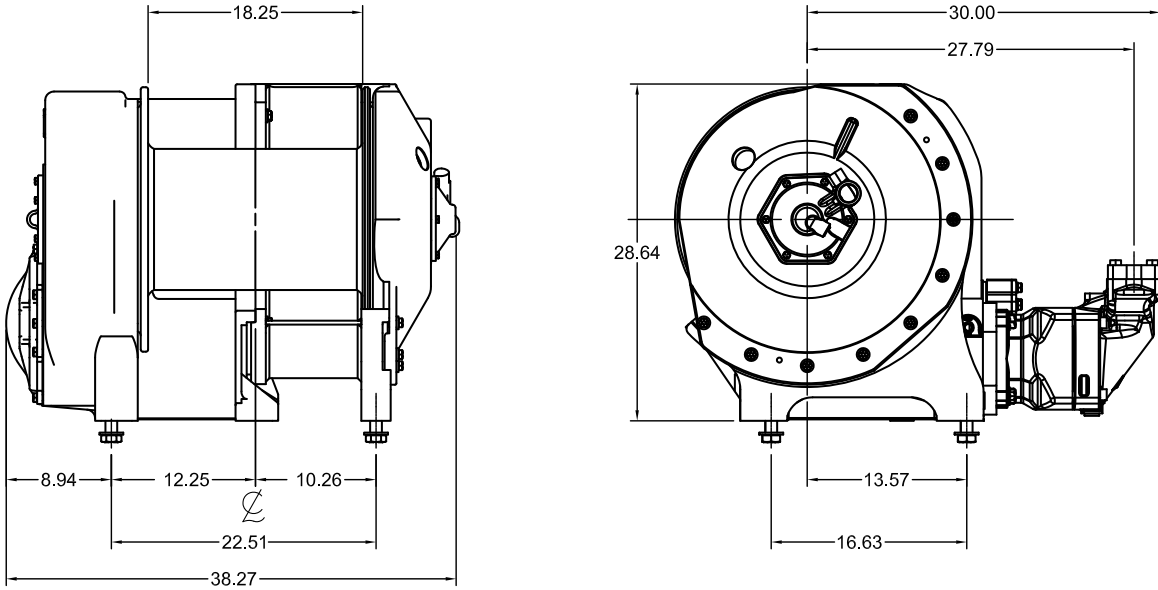
Dry Weight

WH411Y Series1,550 lbs [703 kg]

WH411Y



Dimensions & Performance



NOTE: Allied Systems Company reserves the right to change and/or improve specifications and performance at its own discretion without prior notice. Check with dealer for the latest data.



WINCH DIVISION

21433 SW OREGON STREET
 SHERWOOD, OREGON 97140-9799, U.S.A.
 TELEPHONE: (503) 625-2560
 FAX: (503) 625-7269, (503) 625-5132
 E-MAIL: marketing@alliedsystems.com
 WEBSITE: www.alliedsystems.com