

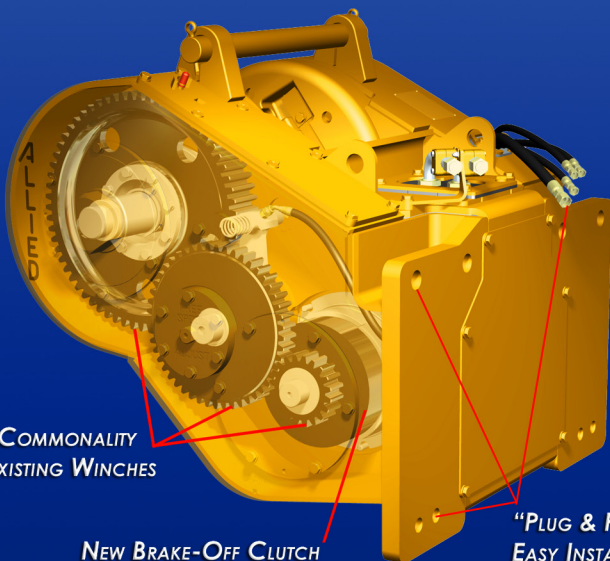
Announcing 2 New Hydraulic Winches for John Deere Dozers



Allied **H6H** Winch for John Deere 750J-850J and 750K-850K Dozers
Allied **H8L** Winch for John Deere 950J Dozers

Advantages:

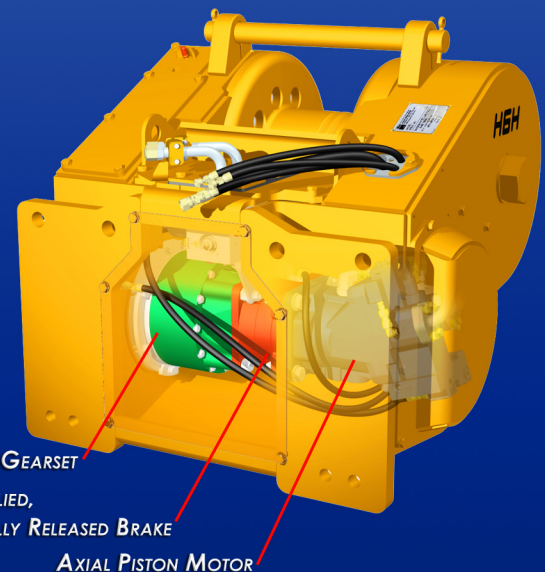
- New Brake-Off clutch. Drive away from tethered load and keep the wire rope taut and tidy to prevent wire rope from “bird nesting.”
- Significantly stronger line pull at working speed range, up to 3 times more on H6H.
- 10% more drum wire rope capacity for H6H, and 20% more for H8L.
- Motor turns only on demand. Less wear and tear. Quiet operation.
- Finger tip precision control. Line speeds as fine as 0.5 ft/min.
- “Plug & Play” installation is easy. Just bolt winch to tractor and connect hydraulic lines.
- Strong box-section side frame permits side pulls without fairlead.
- Large covers for easy service access.



PARTS COMMONALITY
WITH EXISTING WINCHES

NEW BRAKE-OFF CLUTCH

“PLUG & PLAY”
EASY INSTALLATION



COMPACT PLANETARY GEARSET

SPRING-APPLIED,
HYDRAULICALLY RELEASED BRAKE

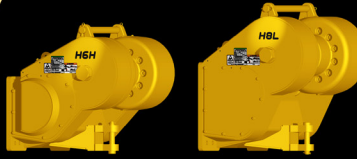
AXIAL PISTON MOTOR

Building the world's most technologically advanced winches

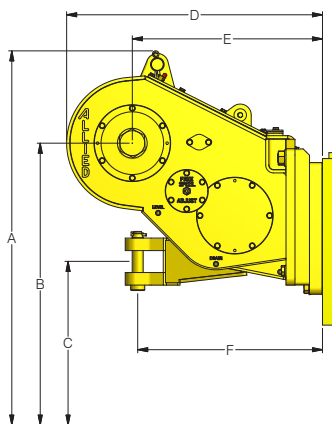
Specifications

H6H and H8L Winches for John Deere 750J, 750K, 850J, 850K, and 950J Dozers

Performance



		Winch Model:	H6H	H8L	
		Model Dozer:	750J, 750K, 850J, 850K	950J	
Bare Drum	Maximum Line Pull (pounds)		88,800	112,200	
	Line Speed @		65 fpm	36 fpm	
	Typical Working Load of (pounds)		40,000	50,000	
	Maximum Line Speed		75 fpm	82 fpm	
Full Drum	Maximum Line Pull (pounds)		50,550	68,900	
	Line Speed @		75 fpm	59 fpm	
	Typical Working Load of (pounds)		40,000	50,000	
	Maximum Line Speed		139 fpm	133 fpm	
Weights (approximate)	Winch w/o wire rope		2250 lbs	3300 lbs	
	Fairlead (optional)		875 lbs	900 lbs	
	Integral Arch		1100 lbs	---	
Wire Rope Capacity	Barrel Diameter		10.00 in.	12.00 in.	
	Wire Rope Diameter	3/4 in.	413 ft.	---	
		7/8 in.	297 ft.	430 ft.	
		1 in.	230 ft.	334 ft.	
		1 1/8 in.	---	267 ft.	
	Ferrule	Name		Light	Junior
		Length		2 1/4 in.	2 3/8 in.
Diameter			2 in.	2 1/4 in.	
Dimensional Data (see illustration)	A	Ground to highest point	59 in.	69 in.	
	B	Ground to drum center	44 in.	54 in.	
	C	Ground to drawbar center	26 in.	30 in.	
	D	Dozer face to end of winch	38 in.	40 in.	
	E	Dozer face to drum center	28 in.	29 in.	
	F	Dozer face to drawbar center	27 in.	31 in.	
	G	Winch max width (not shown)	38 in.	39 in.	



Allied Systems Company
 21433 SW Oregon St
 Sherwood OR, 97140
 503.625.2560
www.alliedsystems.com
marketing@alliedsystems.com

