

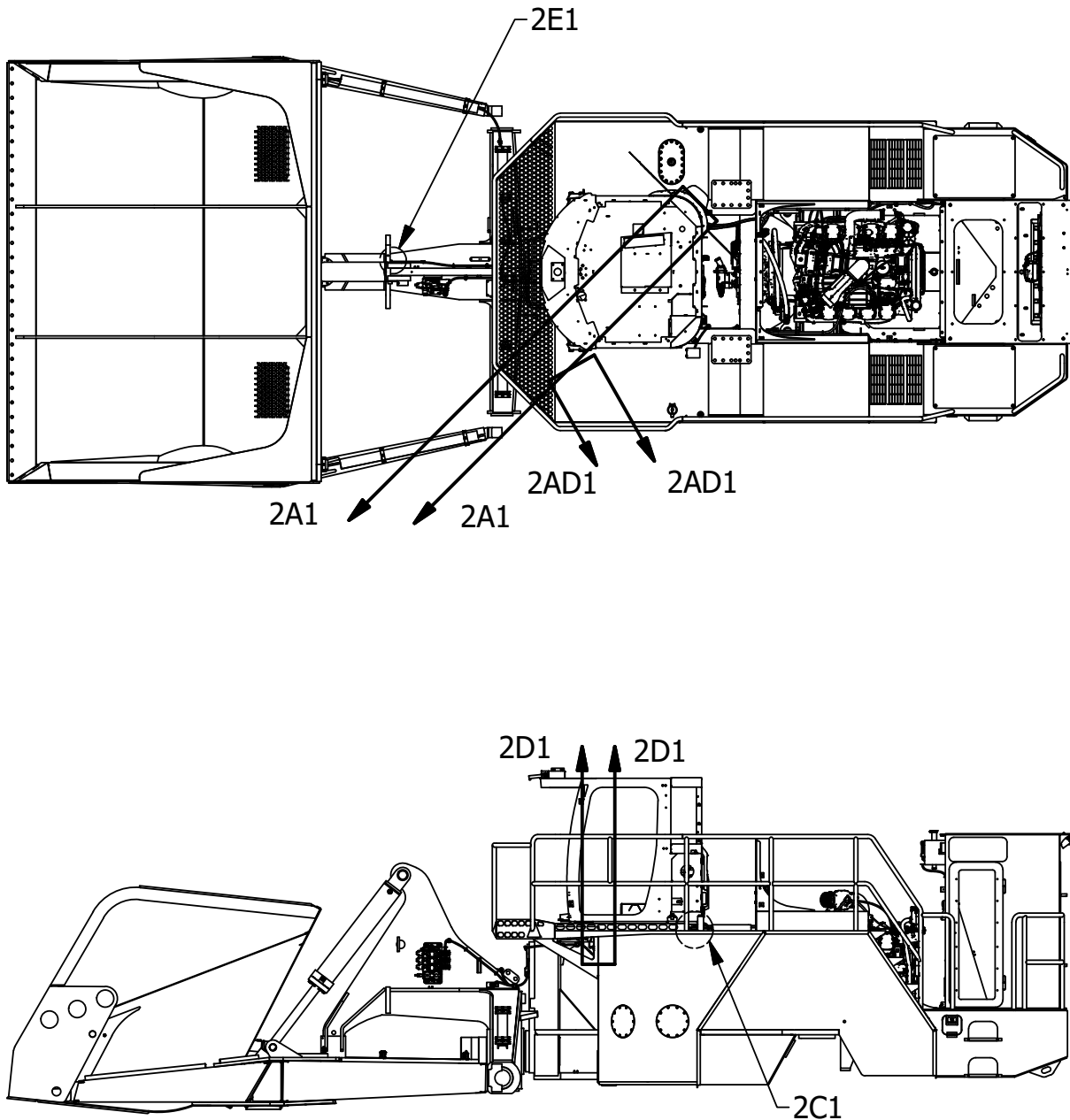
---

Electrical System, Scania T4

## Electrical System, Scania T4

Item	Part No.	Qty	Description	Item	Part No.	Qty	Description
	<b>603621</b>		<b>Electrical System, Scania T4</b>	14.25	R13801782	1	.. Capscrew
1	601695	1	. Wire Harness, "A" Chassis	14.26	231296	6	.. Clamp
2	601696	1	. Wire Harness, "B" Chassis	14.99	601753	1	.. Battery Harness
3	601697	1	. Wire Harness, "C" Chassis	14.99.1			... Battery Cable "A"
4	601698	1	. Wire Harness, "D" Chassis	14.99.2			... Battery Cable "B"
5	601699	1	. Wire Harness, Bogie CHD100	14.99.3			... Battery Cable "C"
6	601700	1	. Wire Harness, "XC23" Chassis	14.99.4			... Battery Cable "D"
7	601701	1	. Wire Harness, Eng	14.99.5			... Battery Cable "E"
8	598644	1	. Linear Position Sensor	14.99.6			... Battery Cable "F"
	598911	1	.. Kit, Spherical Rod Ends	14.99.7			... Battery Cable "G"
9	601712	1	. Accelerometer, 1 Axis	14.99.8			... Battery Cable "H"
10	601717	1	. Bracket, Fuel Level Guard	14.99.9			... Battery Cable "J"
11	-----	-	. Not Used	14.99.10			... Battery Cable "K"
12	-----	-	. Not Used	14.99.11			... Battery Cable "L"
13	597233	1	. Sending Unit, Fuel	14.99.12			... Battery Cable "M"
14	601739	1	. Installation, Batt Harness, Scania	15	593637	1	. Horn, Dual Trumpet
14.1	200220	2	.. Battery	16	R19361	1	. Alarm, Reverse
14.2	596169	1	.. Switch	17	258338	2	. Floodlight
14.3	601714	1	.. Fuse Holder, Anl	18	-----	-	. Not Used
14.4	601715-750	1	.. Fuse, Anl	19	Y25G-(1024)08	1	. Capscrew
14.5	601743	1	.. Weldment, Battery Mount	20	-----	-	. Not Used
14.6	601723	2	.. J-Bolt, 3/8" X 10"	21	595326	89	. Mount, Tack
14.7	583417	2	.. Pad	22	249329	179	. Cable Tie
14.10	585189	1	.. Battery Lockout Installation	23	231248	2	. Clamp
14.11	249329	6	.. Cable Tie	24	231252	4	. Clamp, Hydra-Zorb
14.12	221767W	2	.. Washer	25	Y35E-#10	8	. Washer
14.13	237567	2	.. Locknut	26	249909	2	. Capscrew
14.14	238429	7	.. Clamp	27	296420W	3	. Washer
14.15	221763W	10	.. Washer	28	293628W	1	. Capscrew
14.16	15113W	4	.. Locknut	29	302401W	1	. Locknut
14.17	R13801783	4	.. Capscrew	30	293631W	1	. Capscrew
14.18	R13811190	2	.. Locknut	31	-----	-	. Not Used
14.19	R13802914	4	.. Washer	32	Y25G-(1024)16	1	. Capscrew
14.20	R13811015	2	.. Capscrew	33	221767W	8	. Washer
14.21	231252	3	.. Clamp, Hydra-Zorb	34	237567	4	. Locknut
14.22	221771W	1	.. Washer	35	221499W	4	. Capscrew
14.23	R13801840	1	.. Capscrew	36	Y26G-(1032)10	4	. Capscrew
14.24	15113W	1	.. Locknut	37	83336	1	. Spacer

## Electrical System, Scania T4

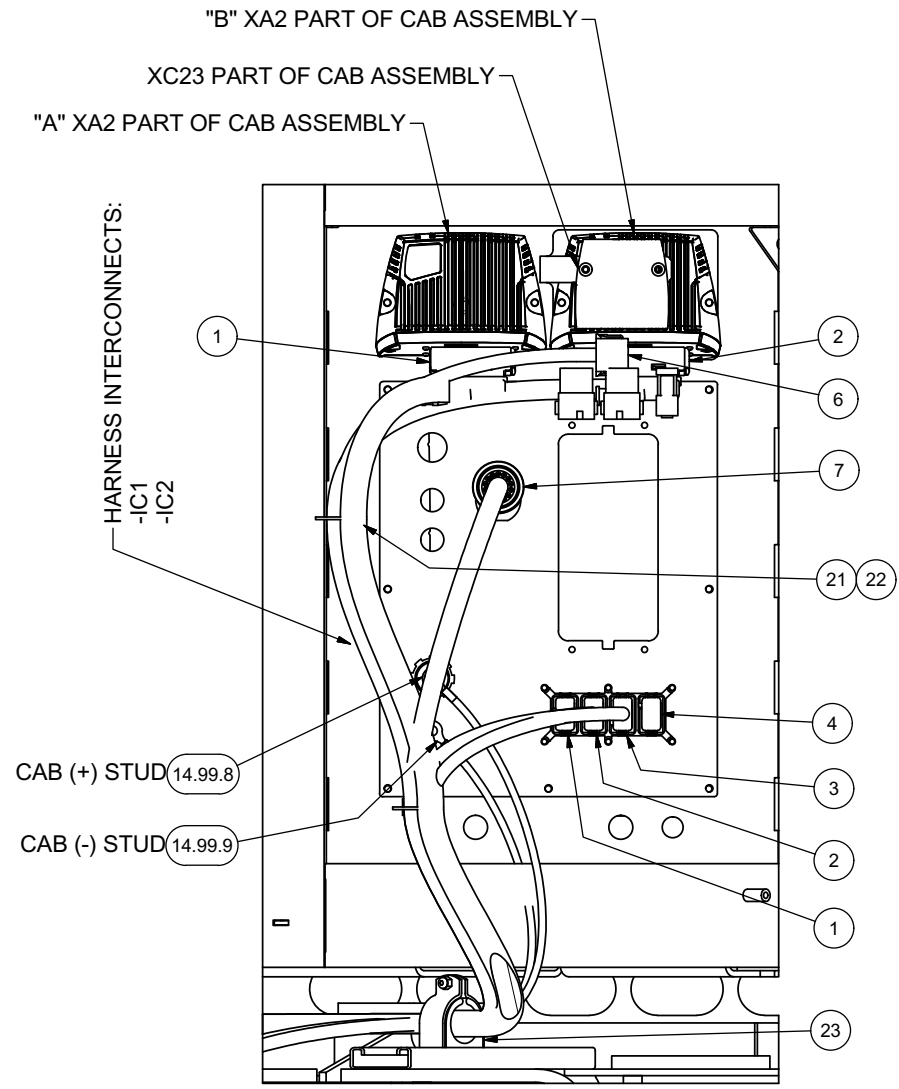


ROUTE WIRE HARNESS AS SHOWN. DEVIATION FROM THIS ROUTING WILL AFFECT HARNESS LENGTHS.

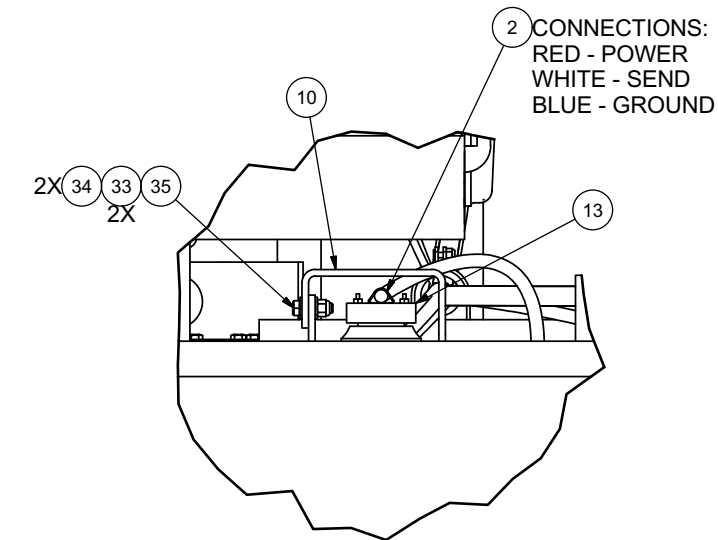
-WIRE HARNESS SHALL BE SUPPORTED EVERY 18 INCHES AS REQUIRED WITH TACK MOUNTS AND CABLE TIES.

-WHEN SECURING WIRES HARNESS TO TACK MOUNT, RUN CABLE TIE THROUGH BOTH TACK MOUNT LOOPS AND STRADDLE HARNESS IN TACK MOUNT.

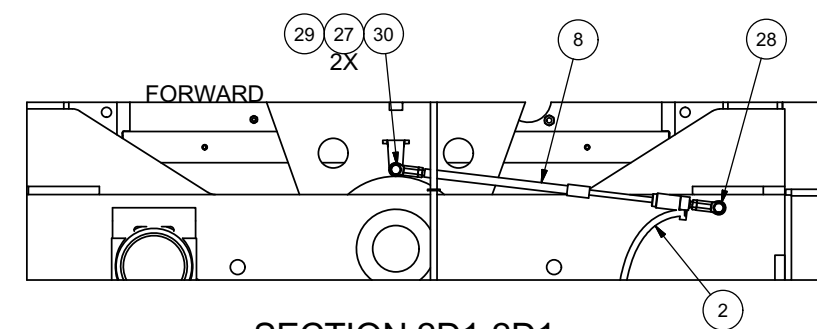
-WHEN NOT SECURING HARNESS TO TACK MOUNT, USE THE FIRST LOOP TO SECURE CABLE TIE TO SUPPORT OBJECT, THEN USE THE SECOND LOOP TO SECURE THE WIRE HARNESS.



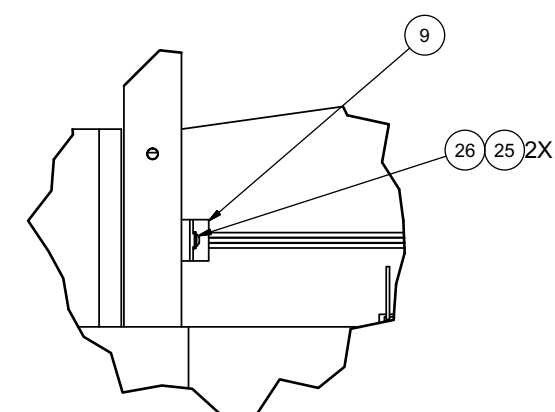
**SECTION 2A1-2A1**  
**CAB CONNECTIONS AT I/O SHIELD**  
**SOME PARTS REMOVED FOR CLARITY**



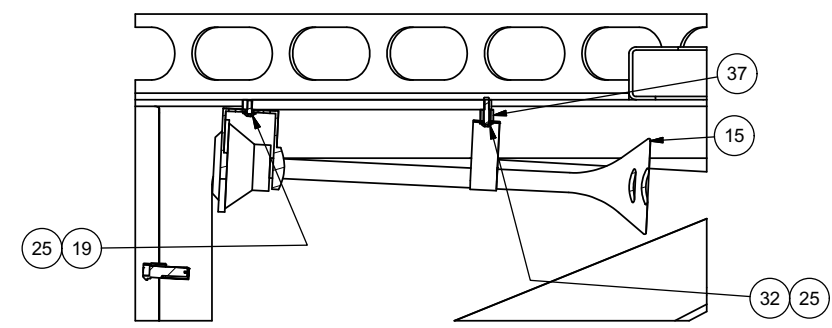
**DETAIL 2C1**  
**SOME PARTS REMOVED FOR CLARITY**  
**FUEL LEVEL SENSOR**



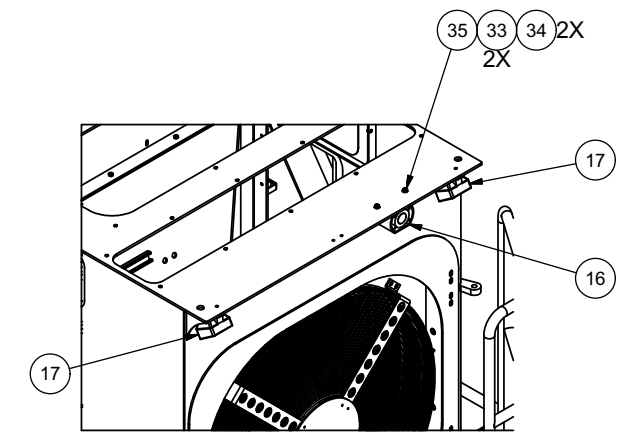
**SECTION 2D1-2D1**  
**STEERING POSITION SENSOR**



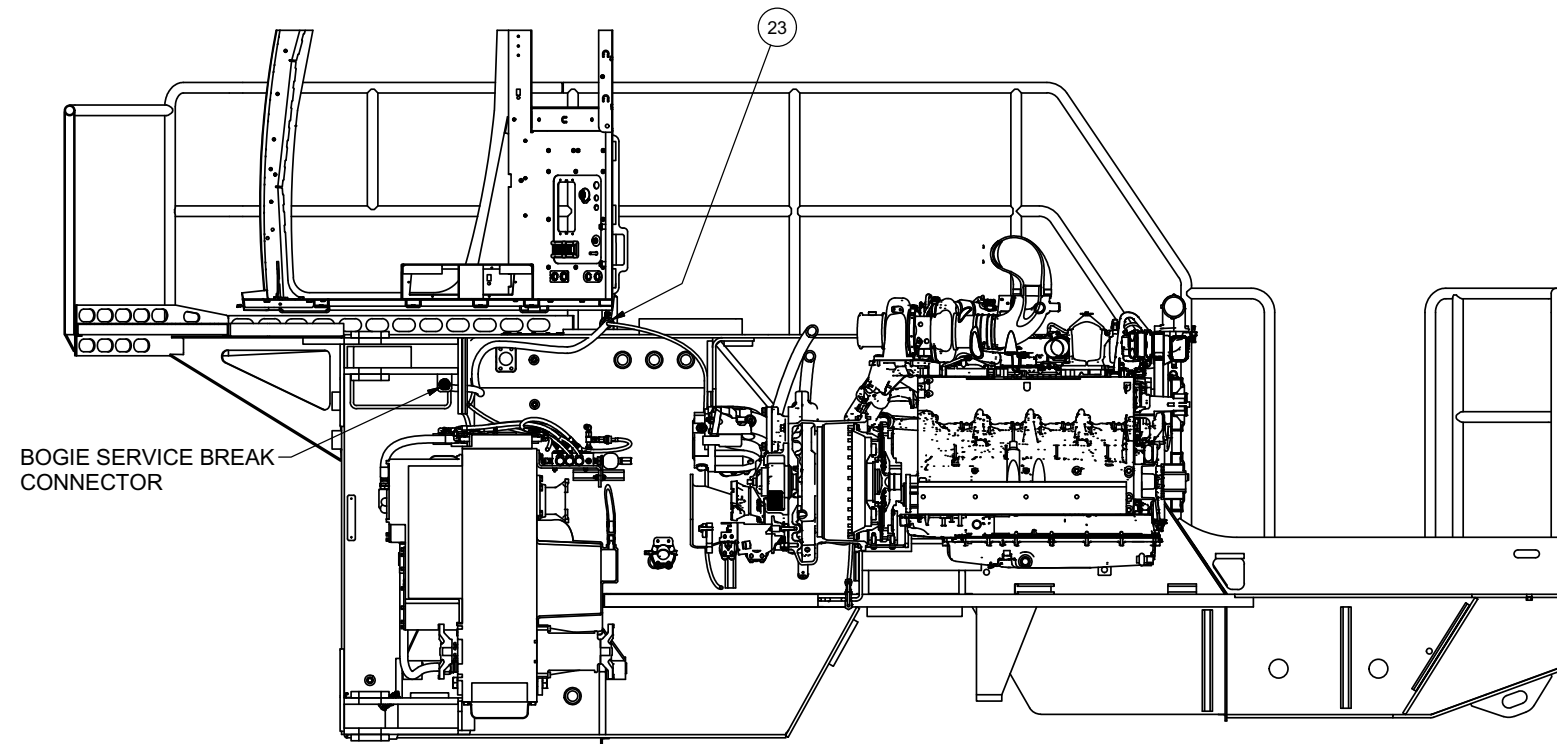
**DETAIL 2E1**  
**SIDE TILT ANGLE SENSOR**



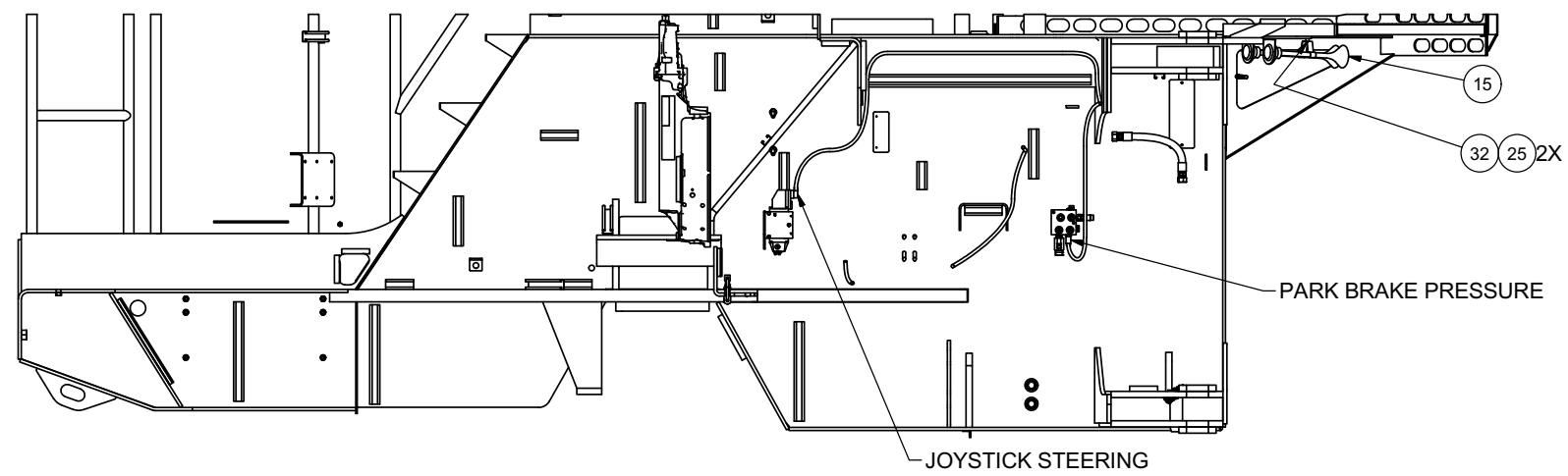
**SECTION 2AD1-2AD1**  
**HORN LOCATION**



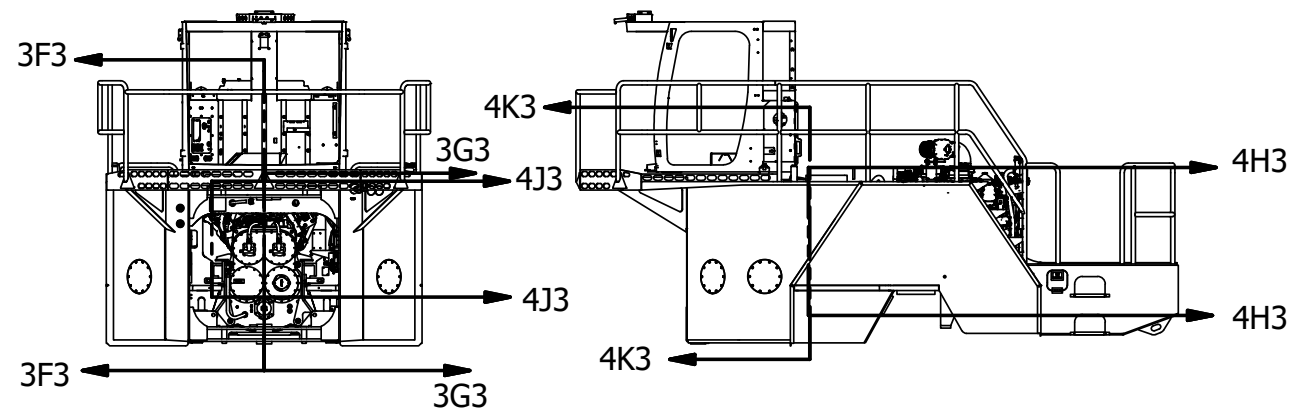
**REAR HOOD**

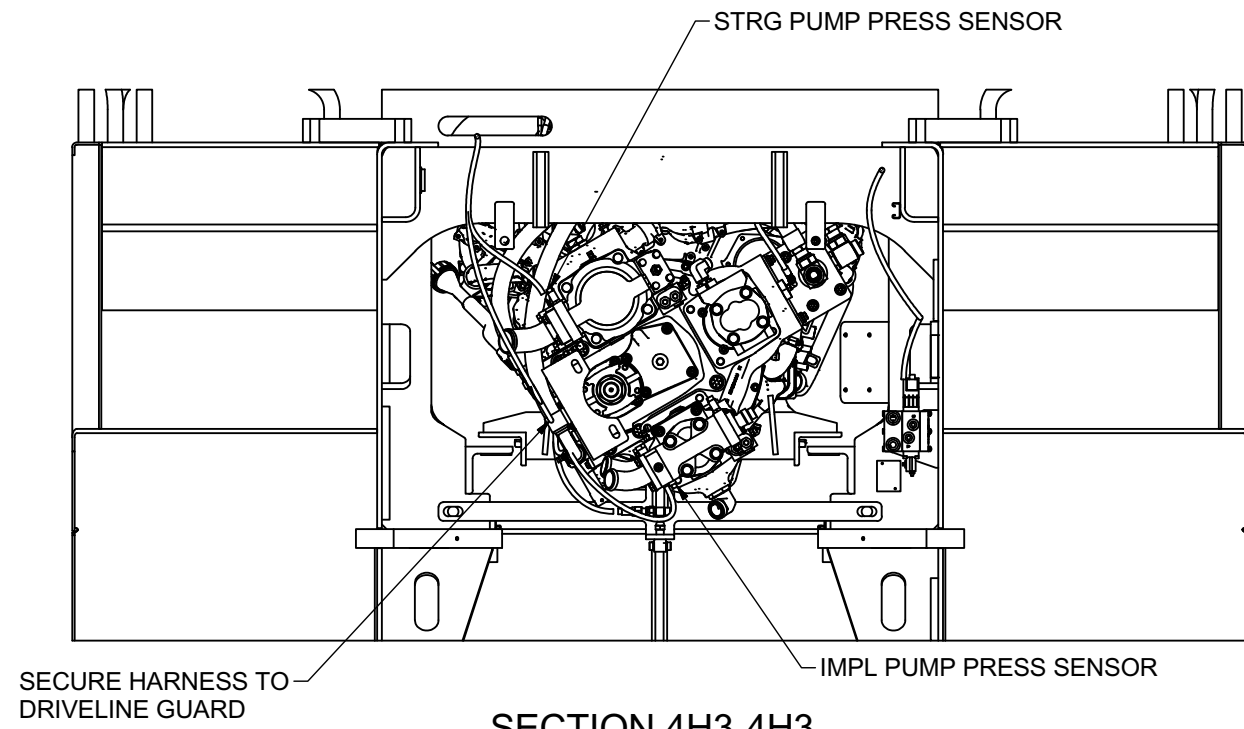


SECTION 3F3-3F3

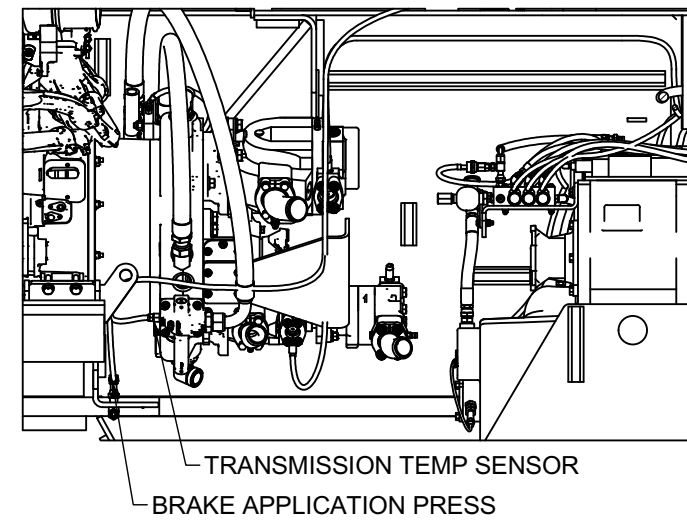


SECTION 3G3-3G3  
SOME PARTS REMOVED FOR CLARITY

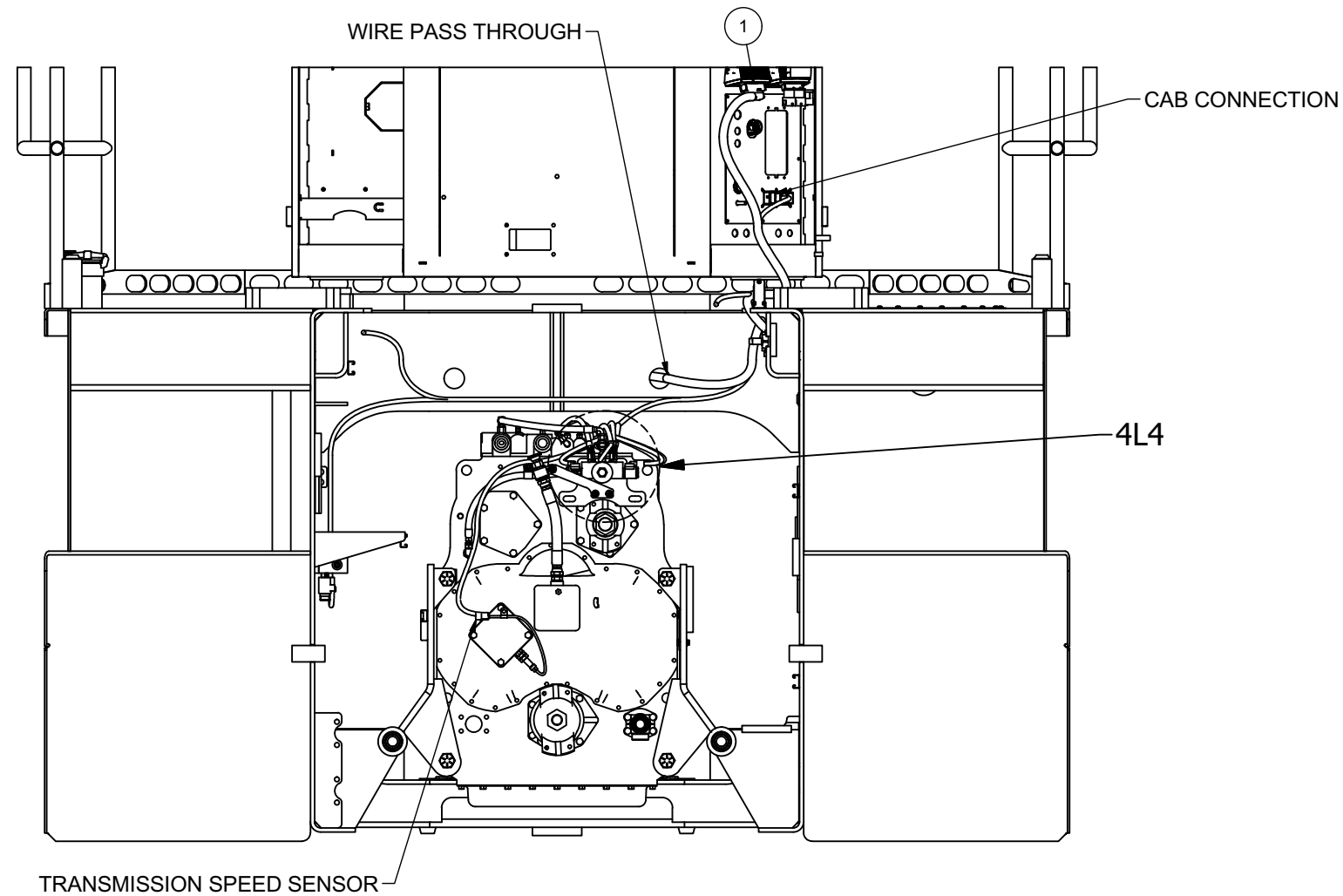




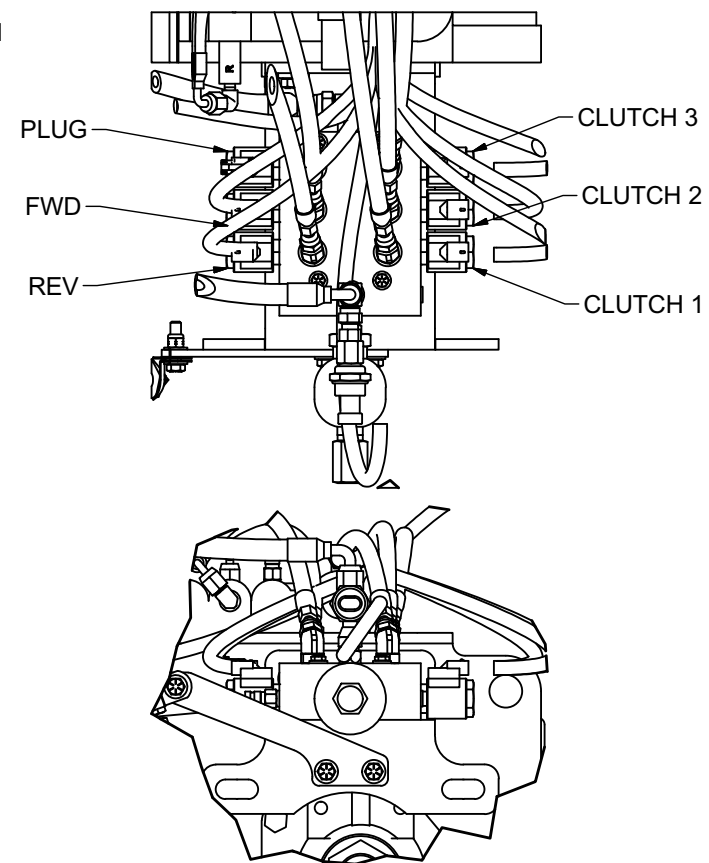
**SECTION 4H3-4H3**



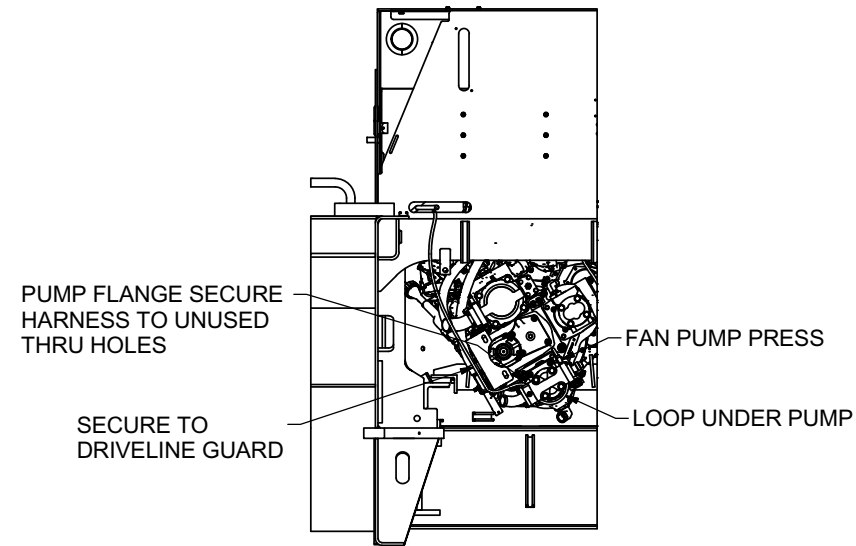
**SECTION 4J3-4J3**  
SOME PARTS REMOVED FOR CLARITY



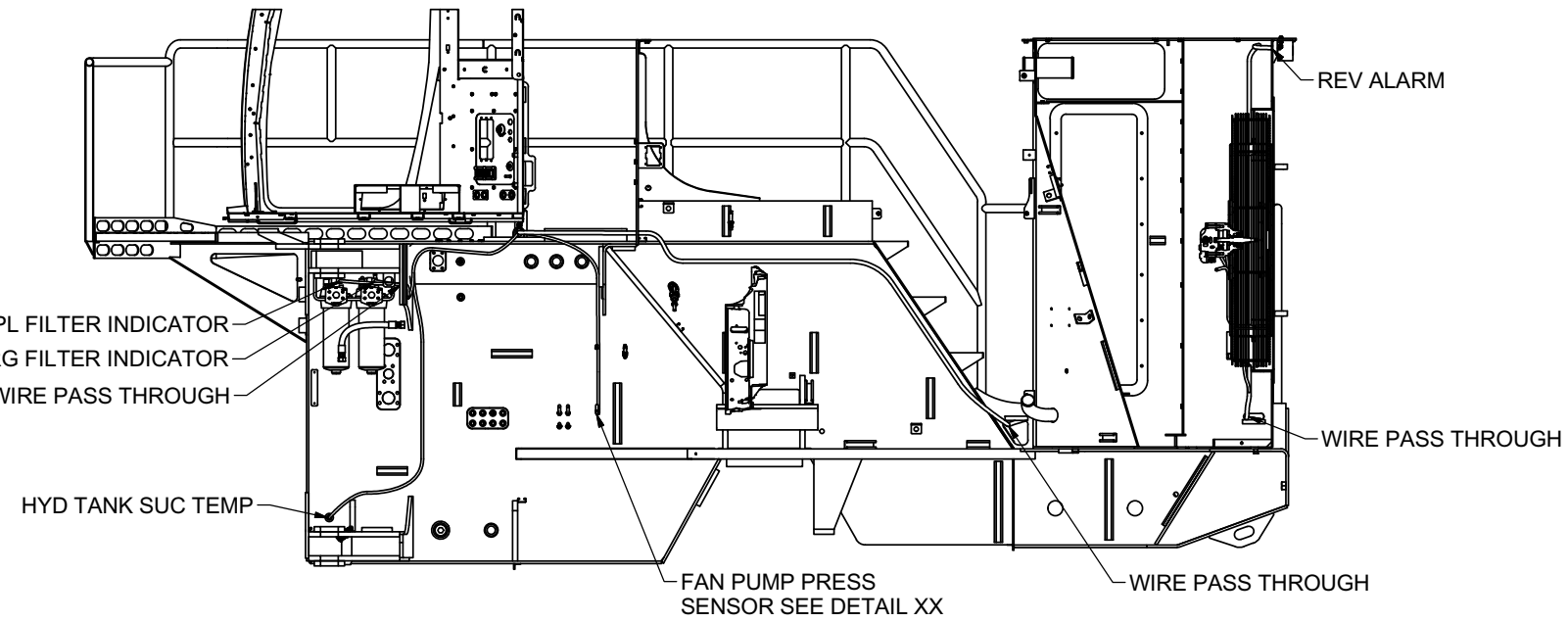
**SECTION 4K3-4K3**



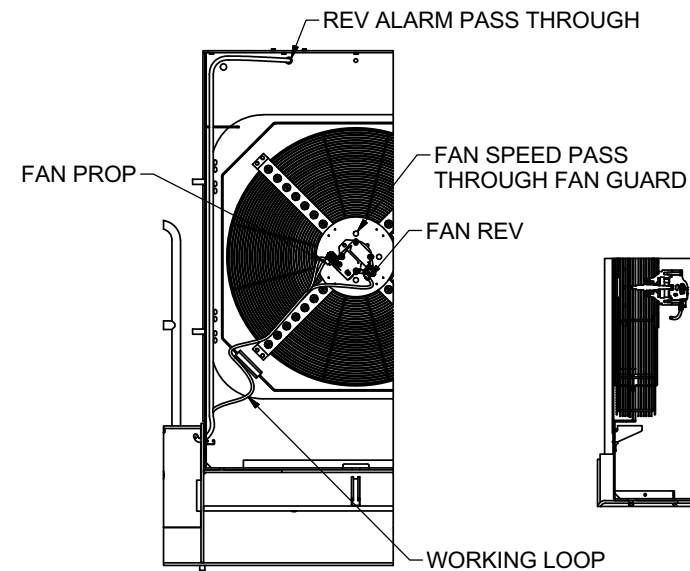
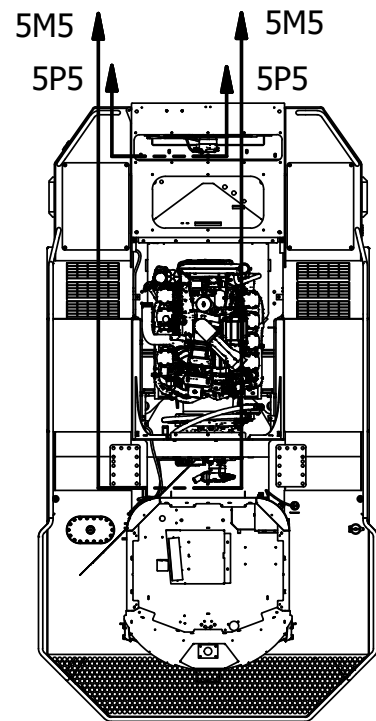
**DETAIL 4L4**  
TRANS SHIFT MANIFOLD



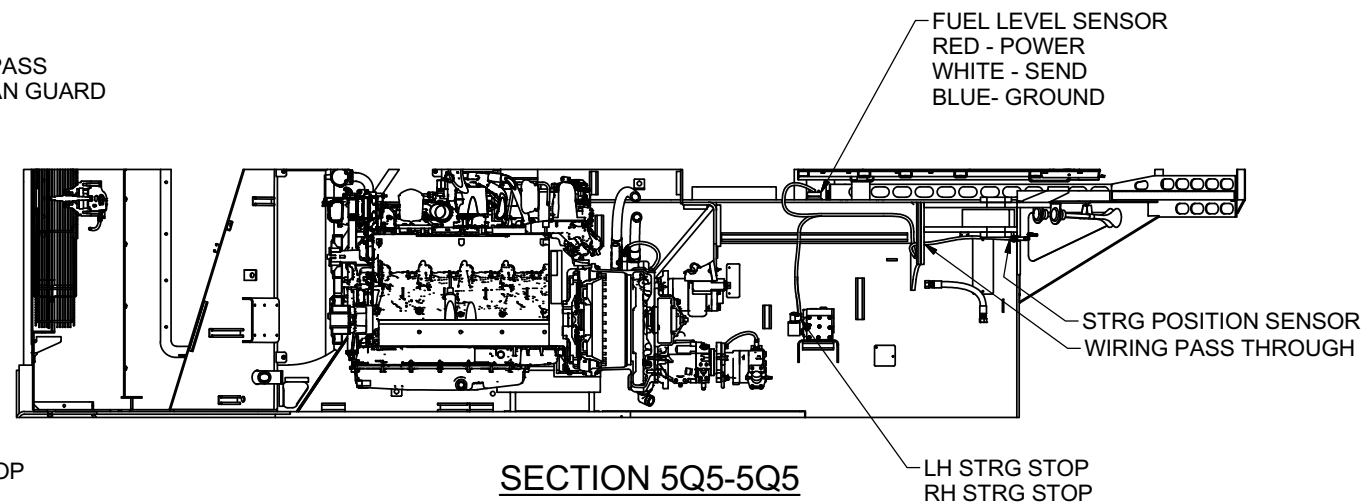
**SECTION 5M5-5M5**  
**FAN PUMP PRESSURE**



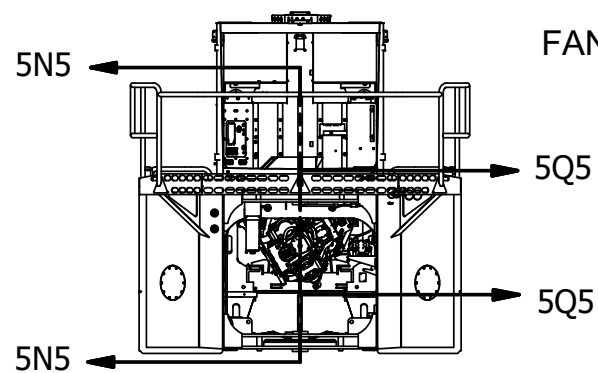
**SECTION 5N5-5N5**  
**SOME PARTS REMOVED FOR CLARITY**



**SECTION 5P5-5P5**  
**FAN & REV ALARM CONNECTIONS**

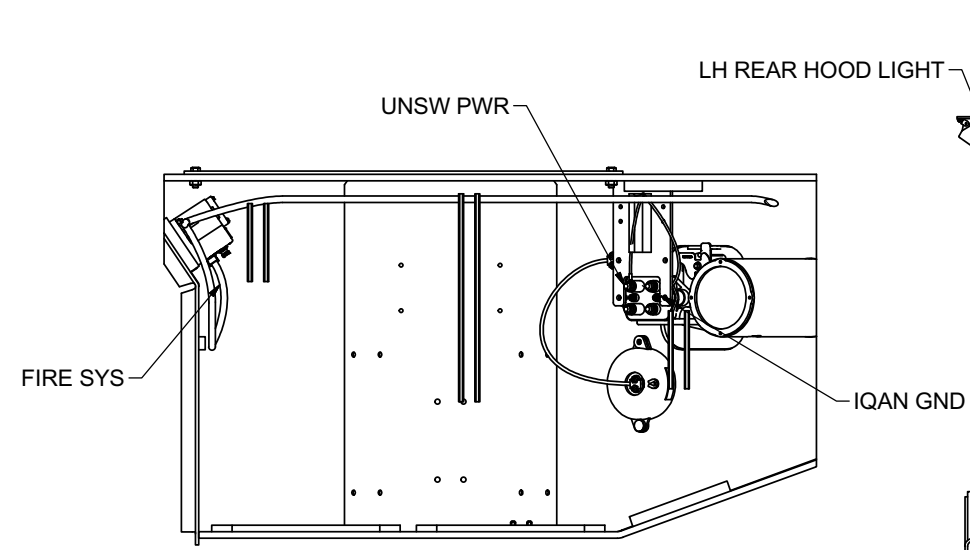


**SECTION 5Q5-5Q5**

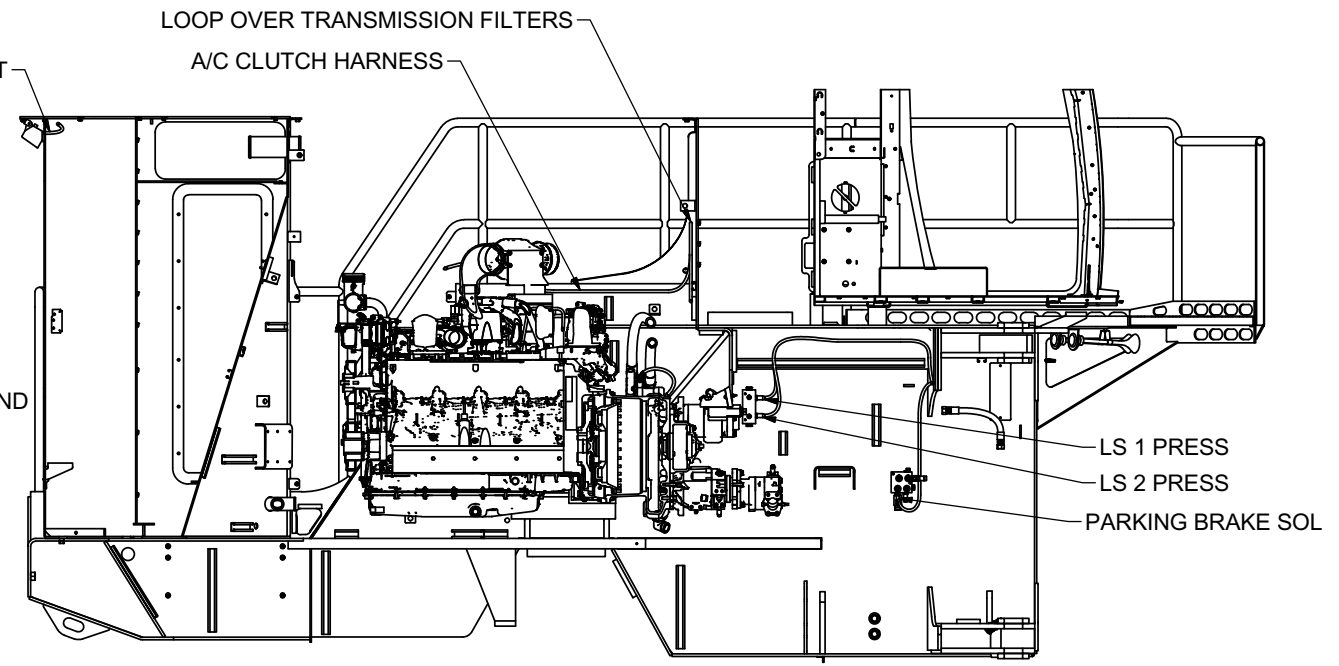




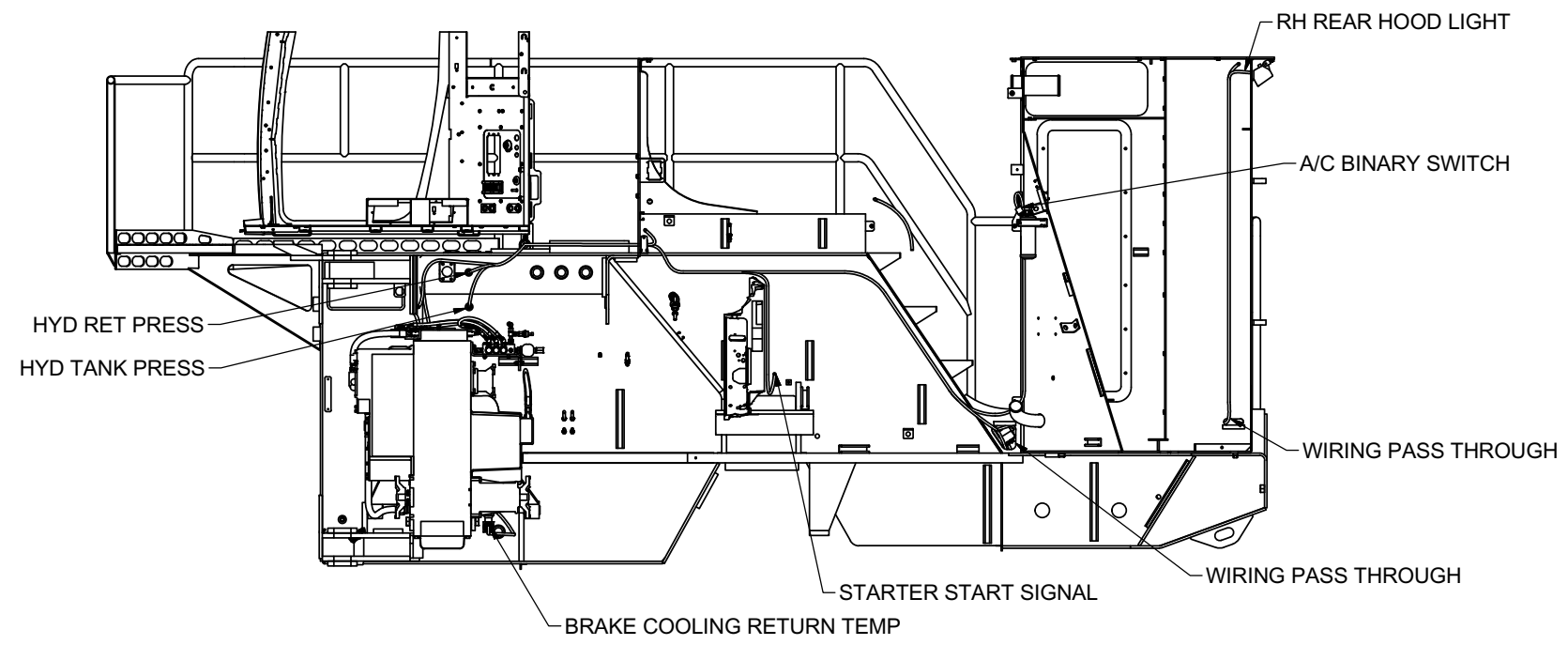
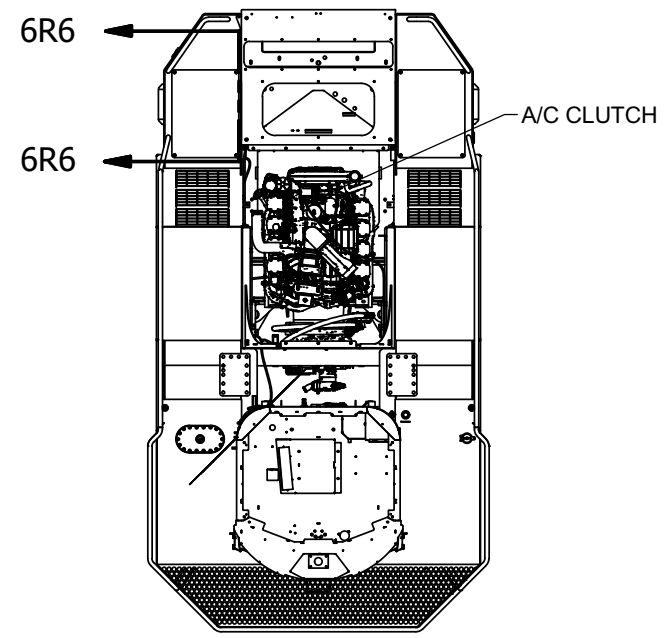
**CHASSIS HARNESS "C"**



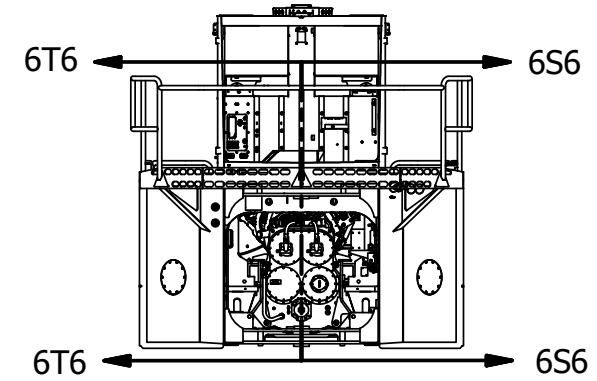
**SECTION 6R6-6R6**  
SOME PARTS REMOVED FOR CLARITY



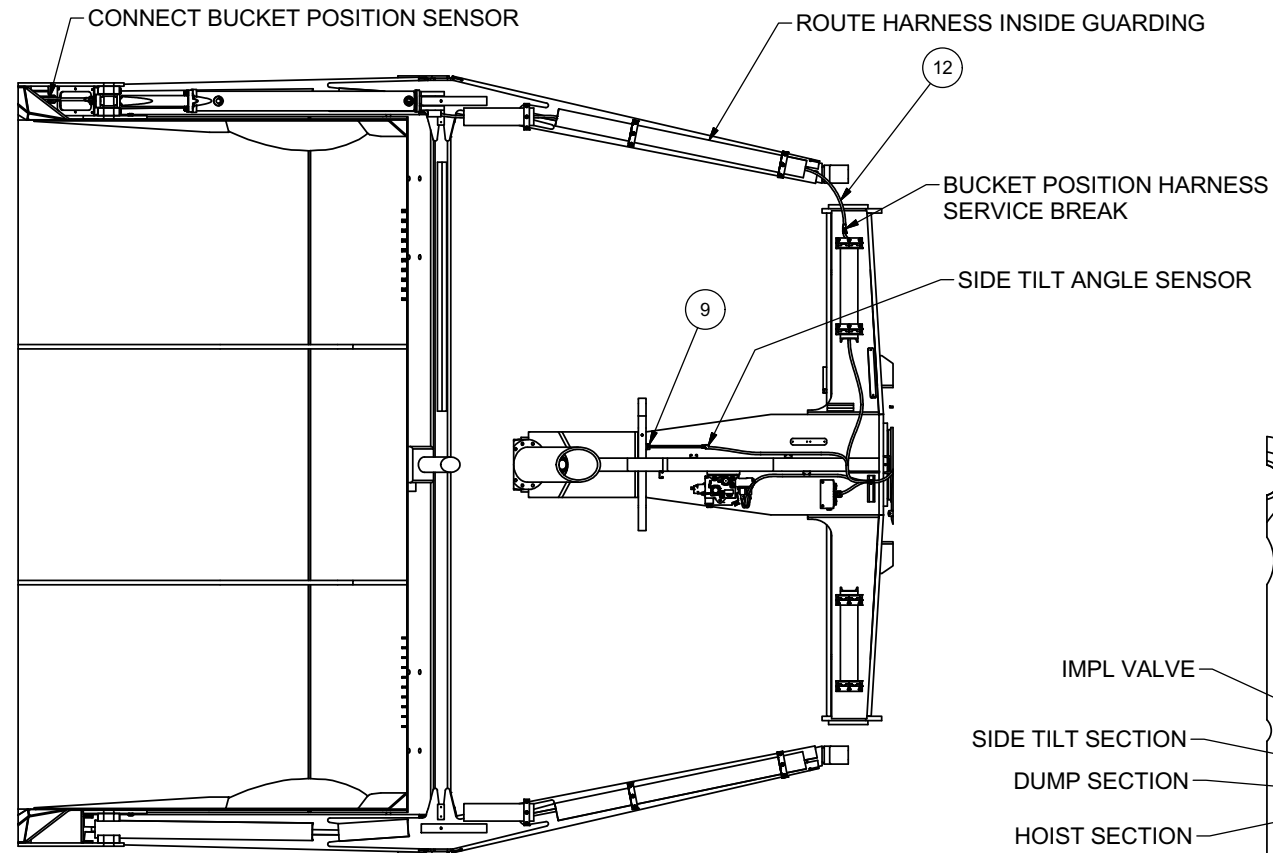
**SECTION 6S6-6S6**  
SOME PARTS REMOVED FOR CLARITY



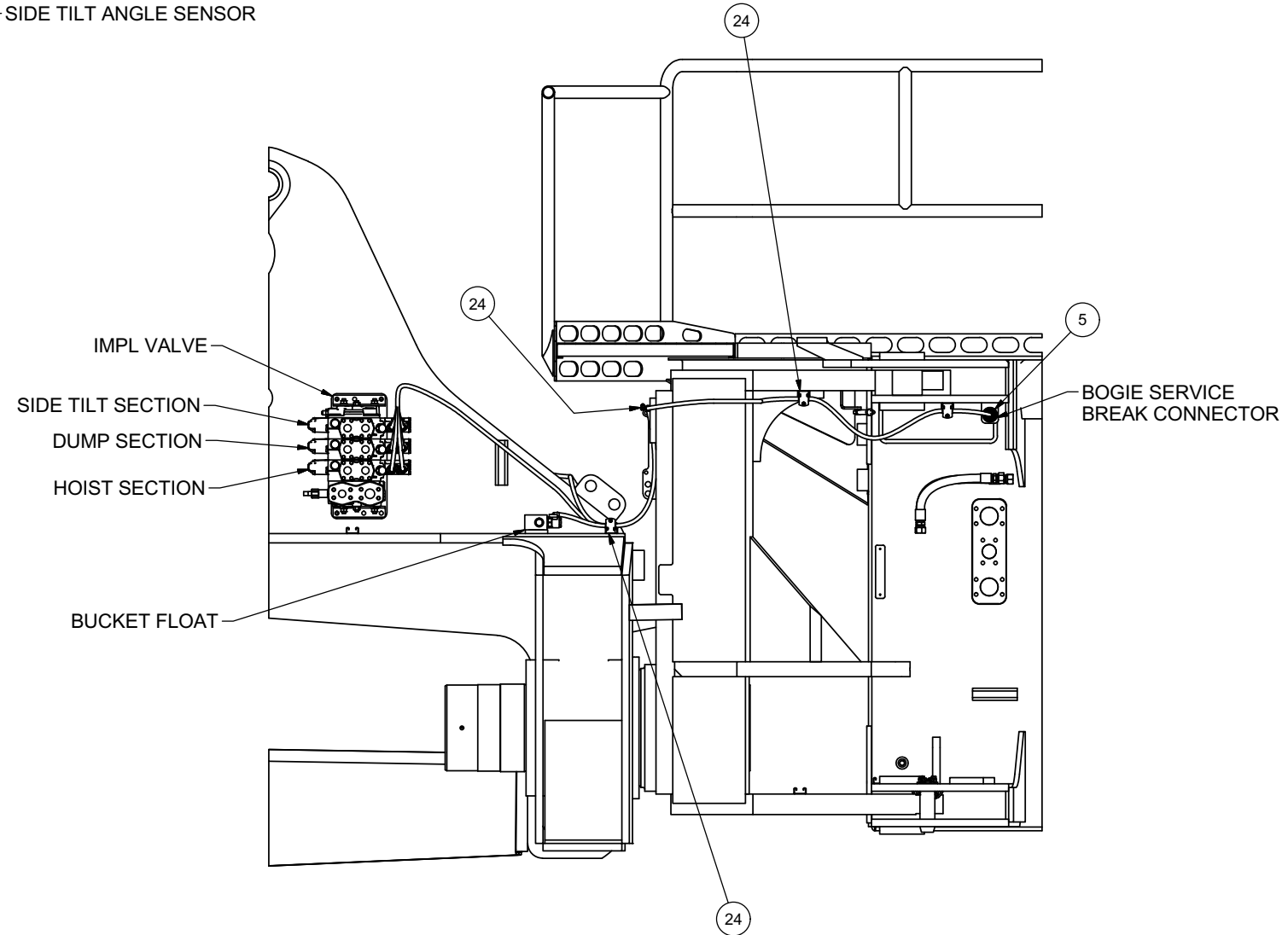
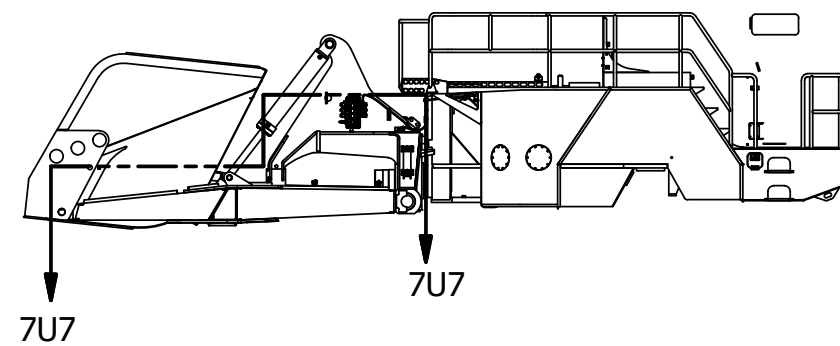
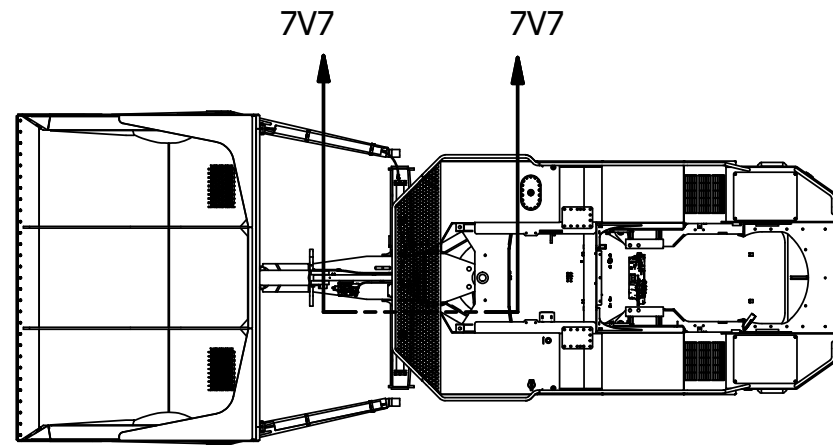
**SECTION 6T6-6T6**  
SOME PARTS REMOVED FOR CLARITY



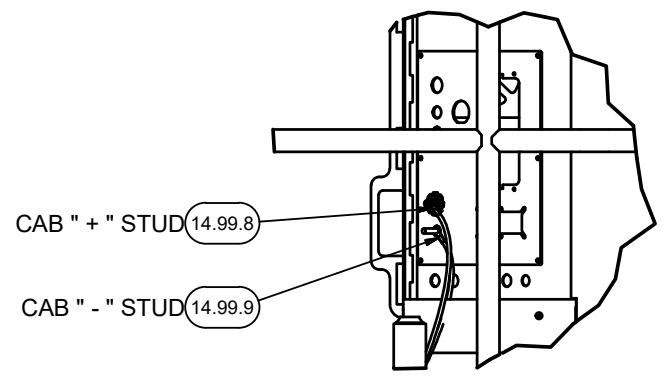
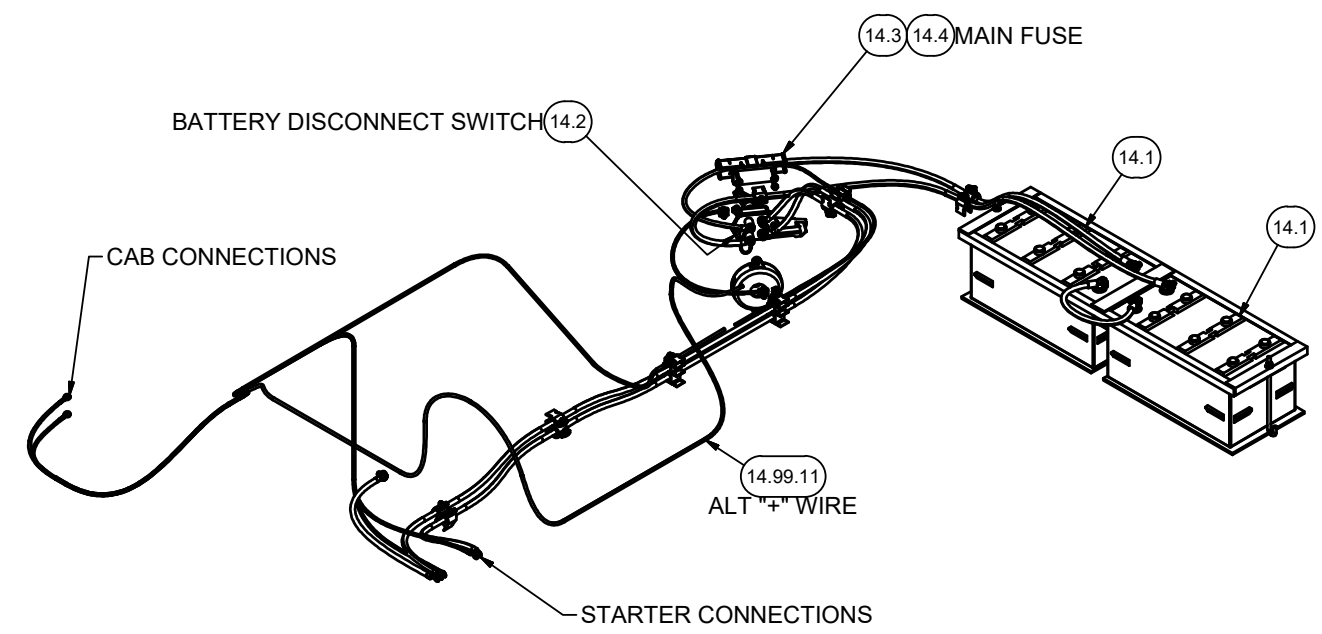
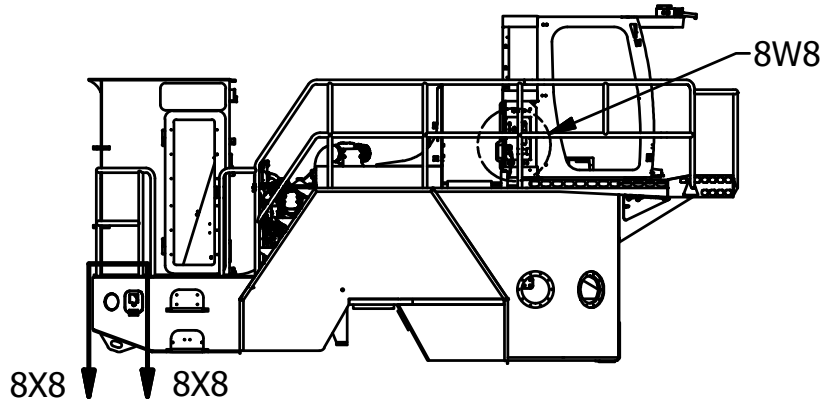
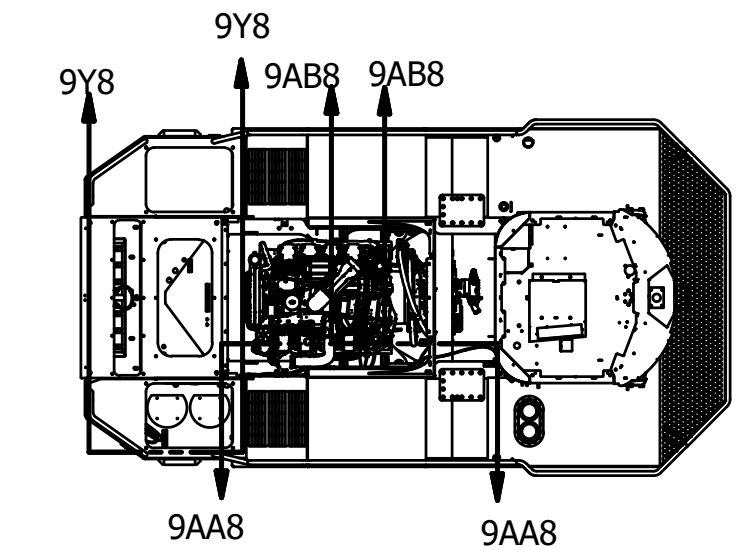




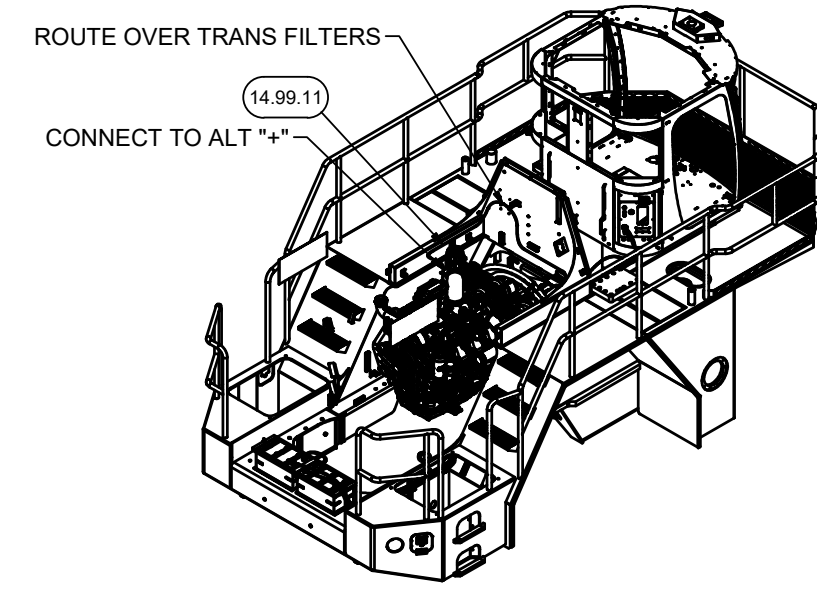
SECTION 7U7-7U7  
SOME PARTS REMOVED FOR CLARITY



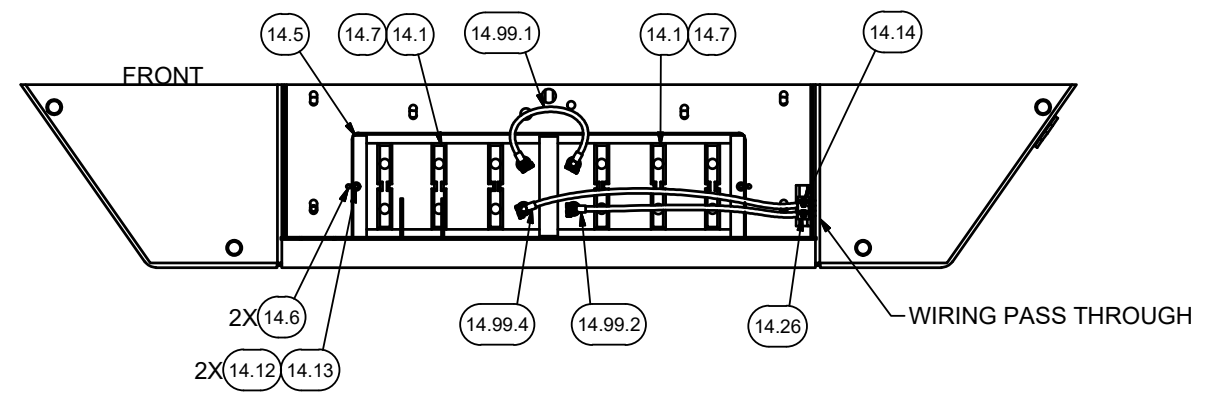
SECTION 7V7-7V7



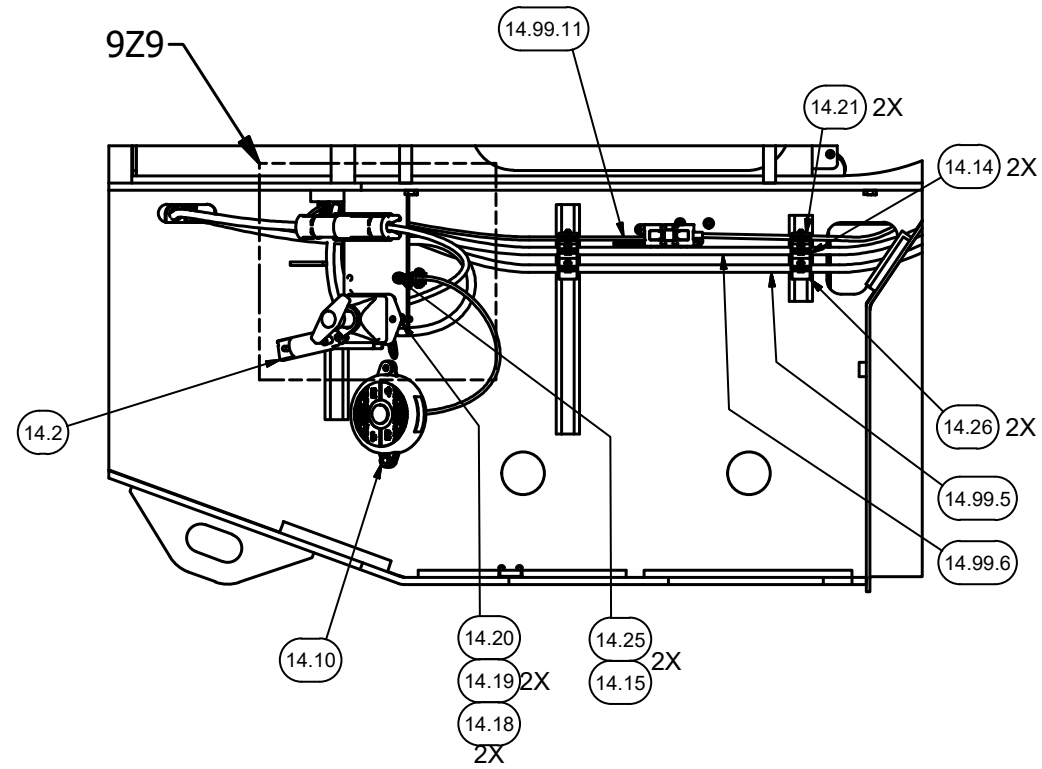
DETAIL 8W8  
CAB CONNECTIONS



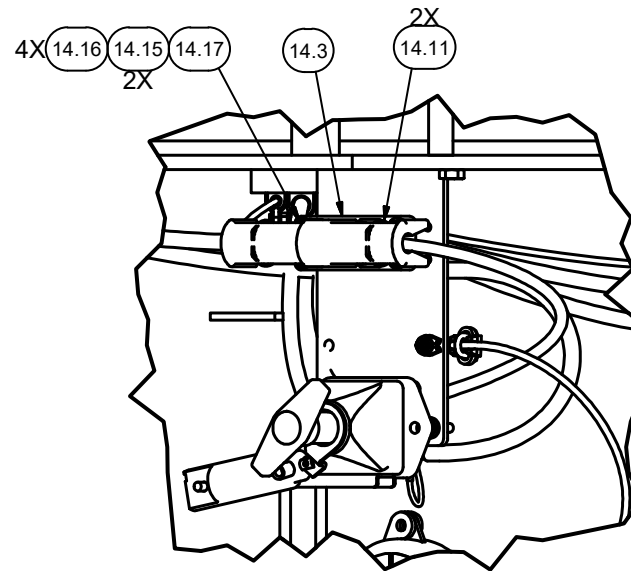
ALTERNATOR WIRE  
SOME PARTS REMOVED FOR CLARITY



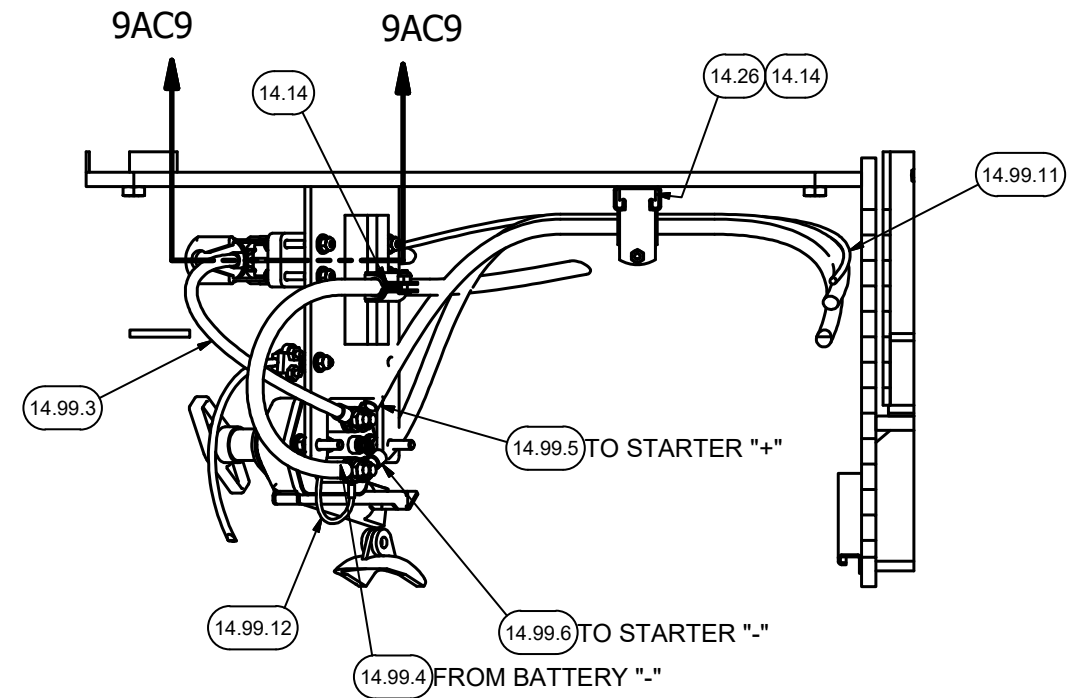
SECTION 8X8-8X8  
BATTERIES INSIDE OF AIR BOX



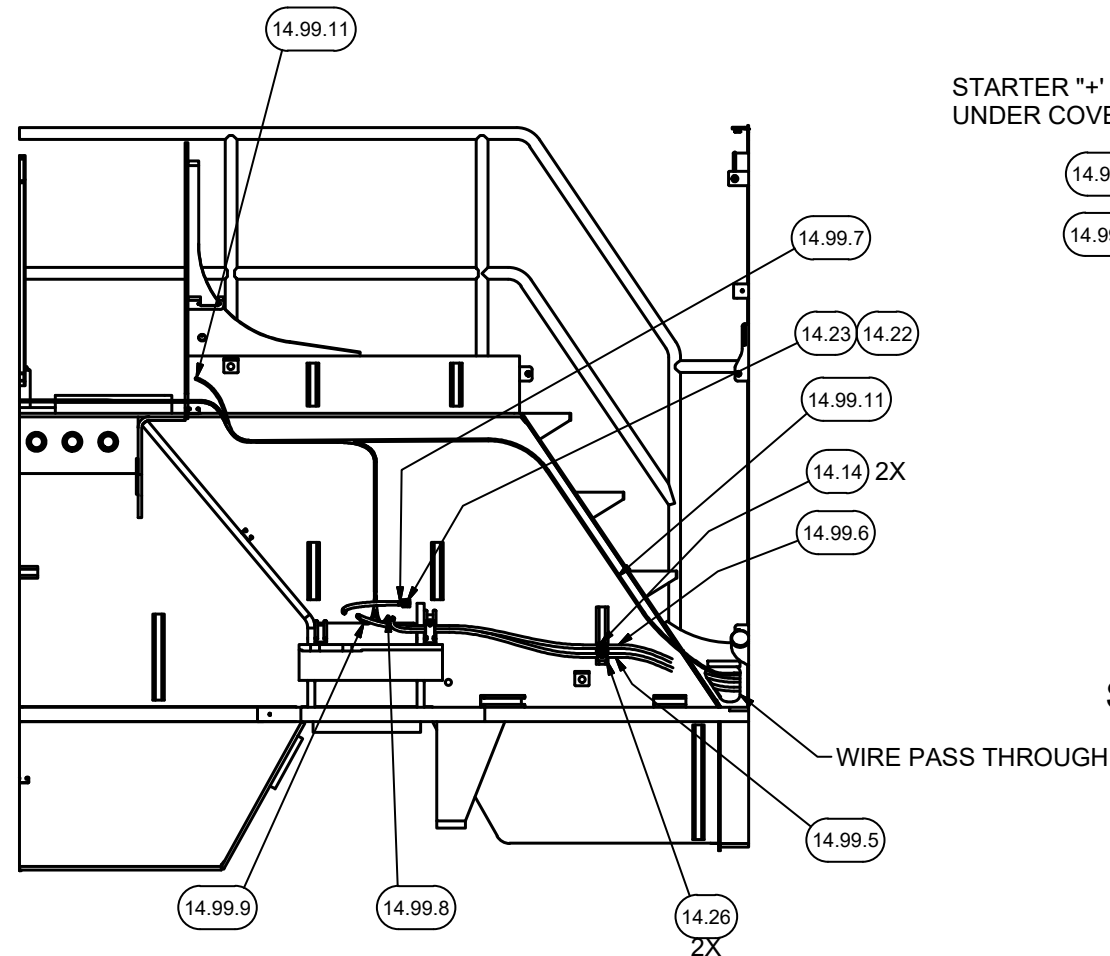
**SECTION 9Y8-9Y8**



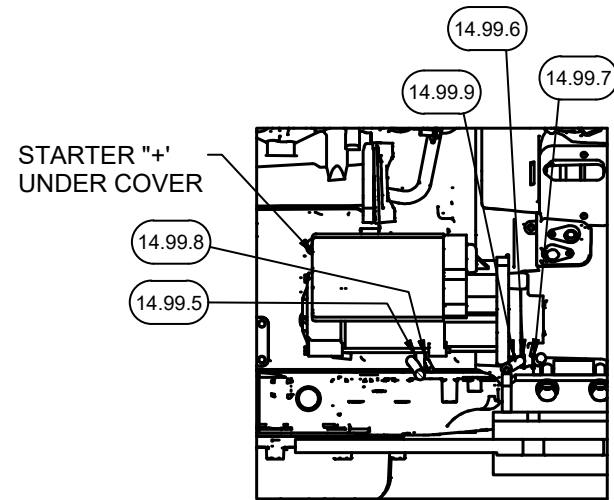
**DETAIL 9Z9  
MAIN FUSE & MASTER DISCONNECT  
CONNECTIONS**



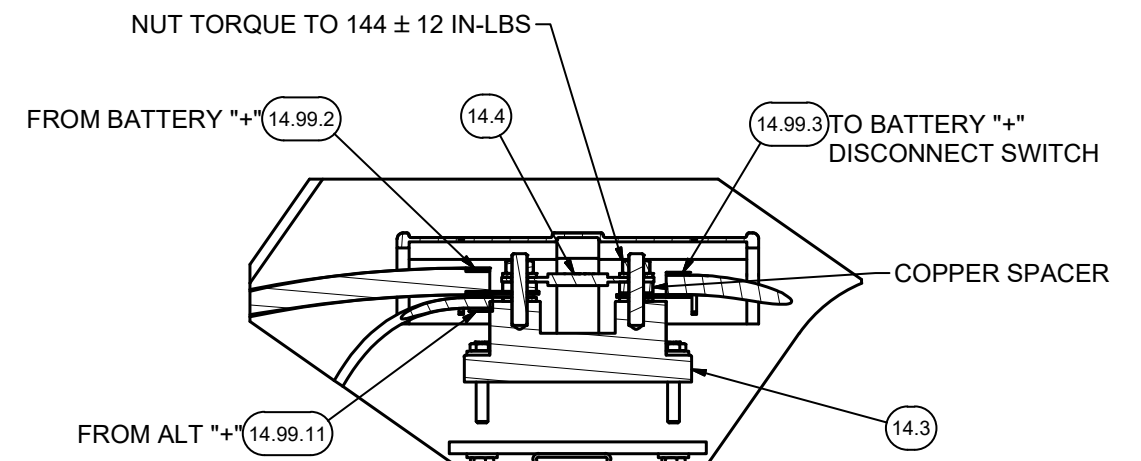
**SECTION 9AC9-9AC9  
MAIN FUSE CONNECTIONS**



**SECTION 9AA8-9AA8**



**SECTION 9AB8-9AB8  
STARTER CONNECTIONS**



# SCANIA ENGINE HARNESS INSTALLATION

## SCANIA SUPPLIED CONTENT:

1. FOR SCANIA ENGINE ELECTRICAL INSTALLATION, SCANIA SUPPLIED CONTENT NEED TO BE CONNECTED PER SCANIA INSTALLTION:

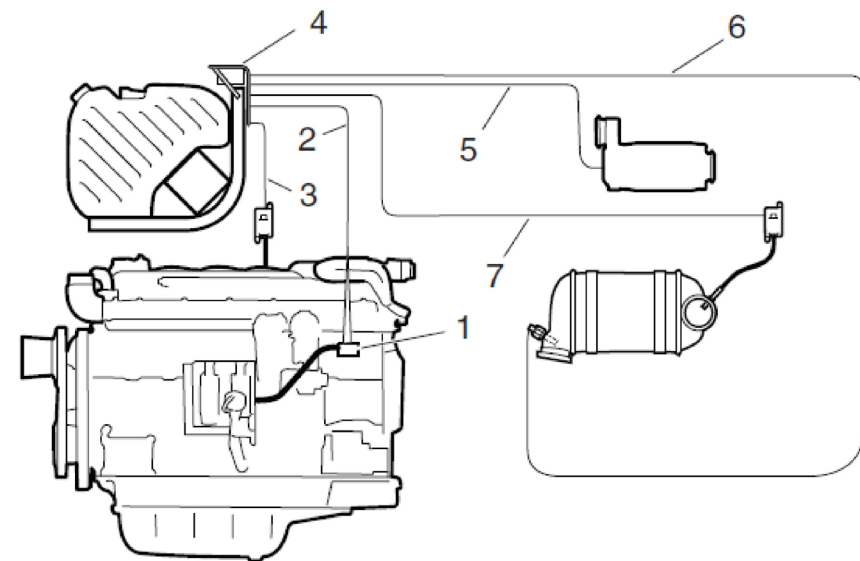
- SEE SCANIA ENGINE INSTALLTION 600941 FOR LOCATION OF DOSER, SCR, DEF TANK, NOX SENSOR PLACEMENT.

- PARTS ARE LOCATED IN SCANIA ENGINE SHIP LOOSE BOX

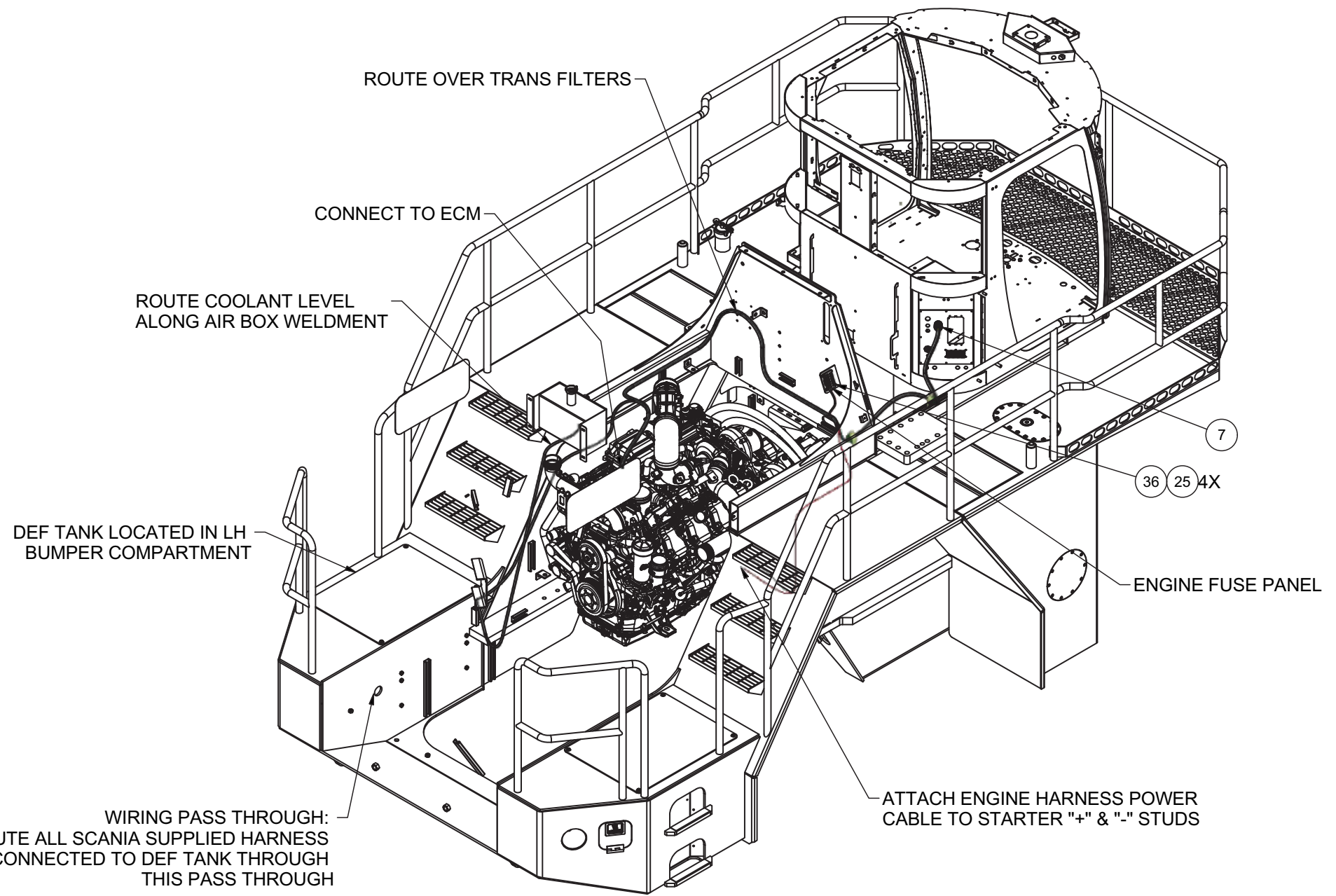
## System overview of electrics

The illustration shows an overview of the electrical connections in the SCR system.

Item	Component	Supplied from the factory	Fitted by fitter
1	Engine interface for SCR system	X	
2	Cable harness between engine and SCR control unit	X	X
3	Electrical cable for NOx sensor in exhaust brake housing/exhaust pipe downstream of the turbocharger	X	X
4	Electrical connection to SCR system	X	
5	Electrical cable for reductant doser	X	X
6	Electrical cable for exhaust gas temperature sensor	X	X
7	Electrical cable for NOx sensor on the outlet side of the SCR catalytic converter	X	X



336 528



**ALLIED CONTENT**  
SOME PARTS REMOVED FOR CLARITY  
THIS VIEW SHOWS 601701 INSTALLED