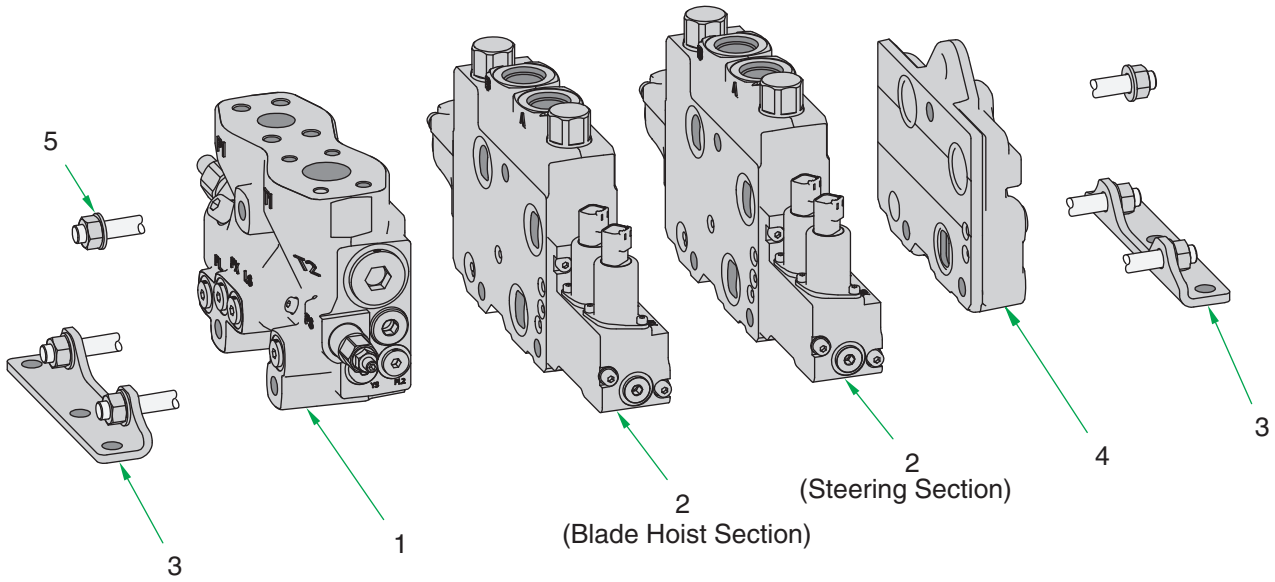


---

Valve Assembly, Implement

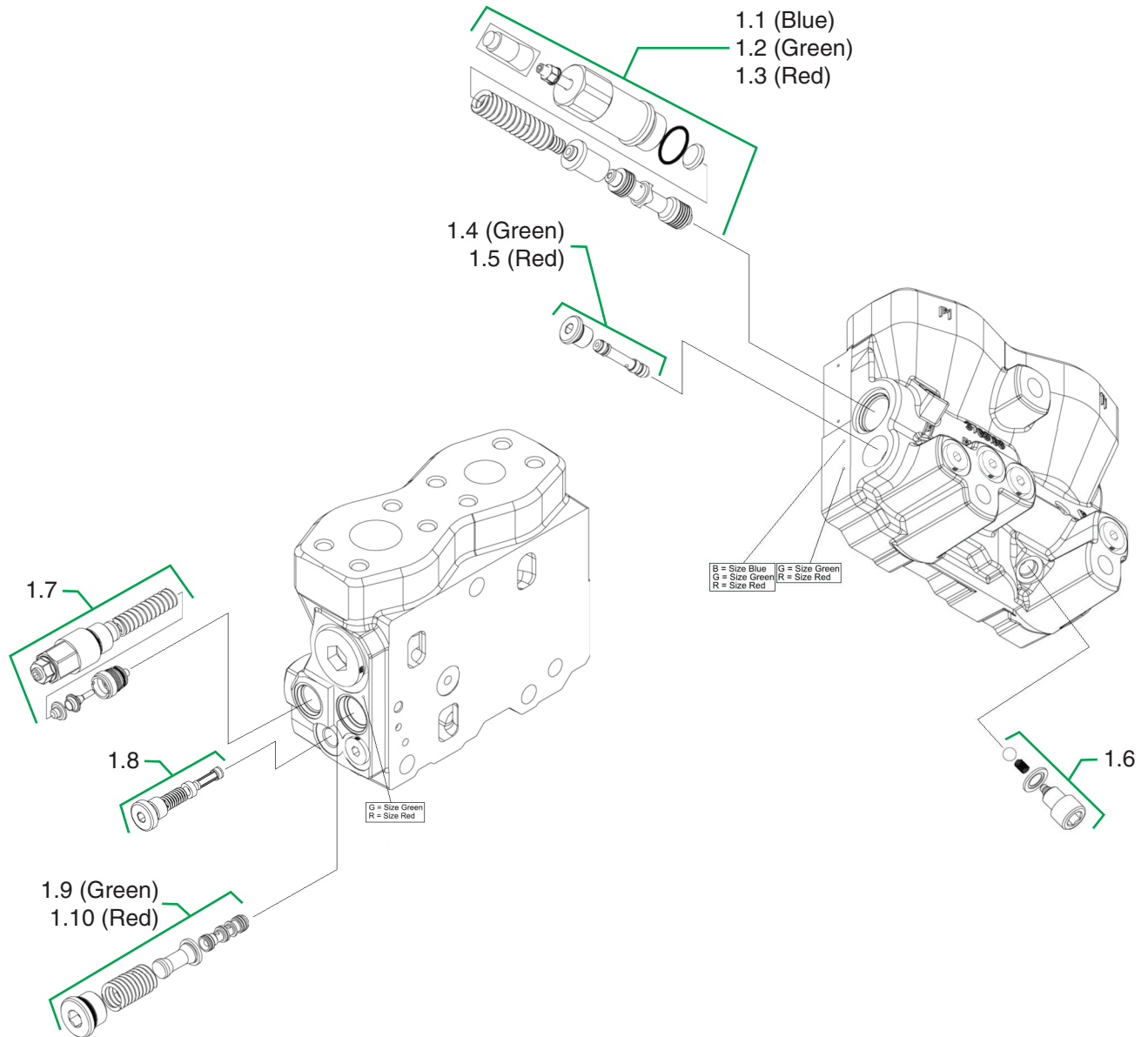
# Valve Assembly, Implement



Item	Part No.	Qty	Description	Item	Part No.	Qty	Description
<b>603033 Valve Assembly, Implement</b>							
1	*a 260009	1	. Inlet Section	4	*c 260022	1	. End Section
2	*b 260015	2	. Work Section	5	260023	1	. Tie Rod Kit
3	599561	1	. Bracket Kit				

\*a See page 3  
 \*b See page 4  
 \*c See page 5

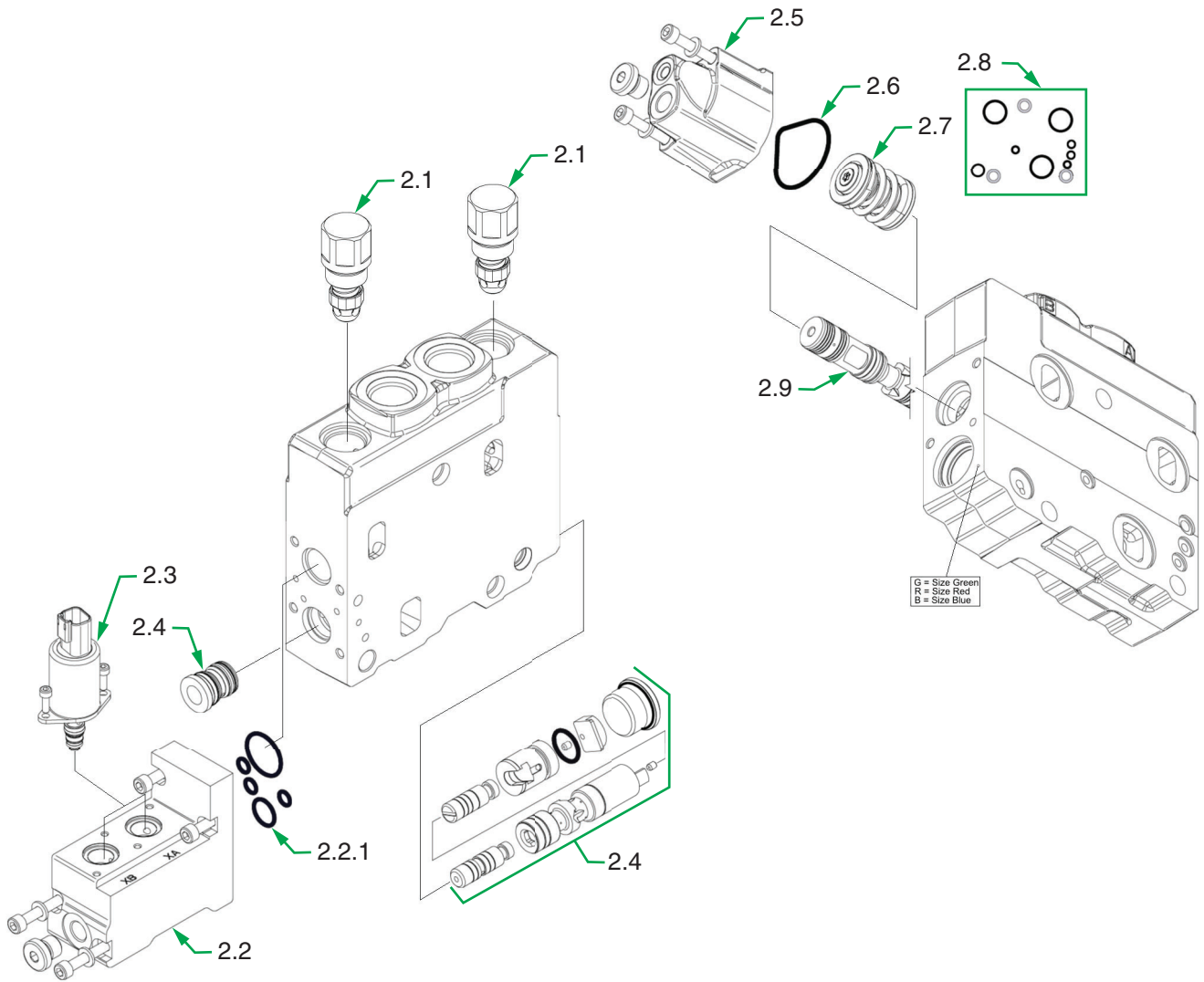
# Inlet Section



Item	Part No.	Qty	Description	Item	Part No.	Qty	Description
<b>260009 Inlet Section</b>							
1.1	*a 260010	1	. LS Pressure Relief (Blue)	1.6	599932	1	. Check Valve Kit
	256604	1	.. Seal Kit	1.7	260013	1	. Relief Valve
1.2	*a 260011	1	. LS Pressure Relief (Green)		260014	1	.. Seal Kit
	256604	1	.. Seal Kit	1.8	257431	1	. Internal Pilot Strainer
1.3	*a 260012	1	. LS Pressure Relief (Red)	1.9	*a 599933	1	. Reducing Valve Kit (Green)
	256604	1	.. Seal Kit		599934	1	.. Plug Kit
1.4	*a 599930	1	. Copy Spool Kit (Green)	1.10	*a 259684	1	. Reducing Valve Kit (Red)
	257414	1	.. Seal Kit		599934	1	.. Plug Kit
	599931	1	.. Plug Kit				
1.5	*a 259683	1	. Copy Spool Kit (Red)				
	257414	1	.. Seal Kit				
	599931	1	.. Plug Kit				

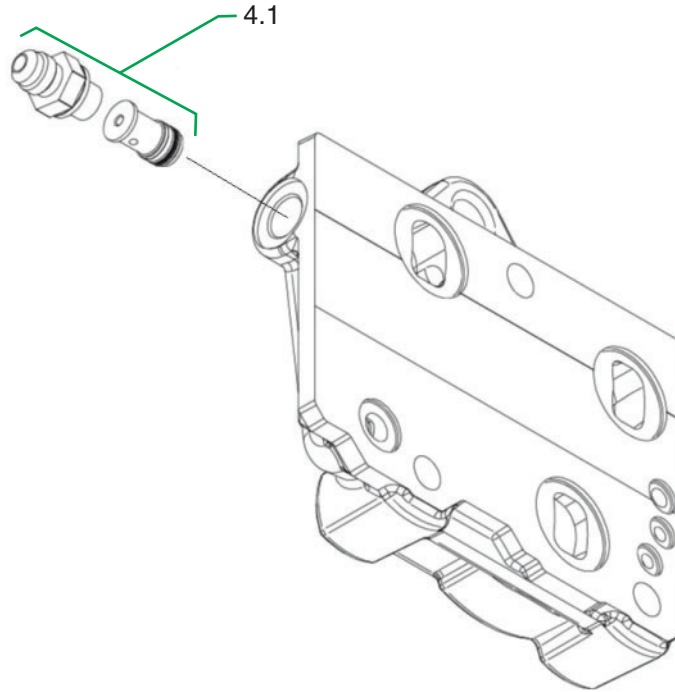
\*a Order the correct size for your valve. See page 6 for details.

## Work Section - (Blade Hoist or Steering)



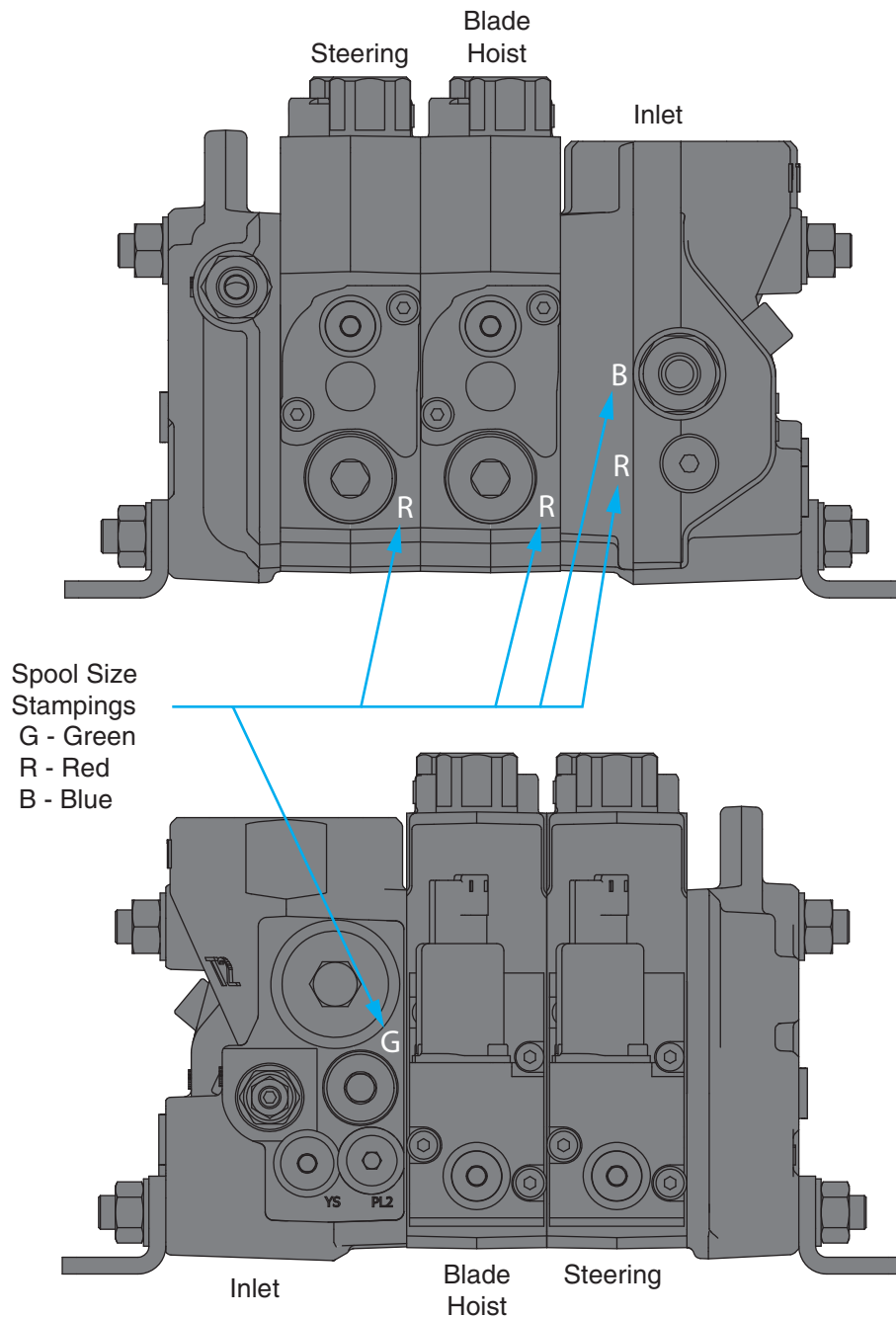
Item	Part No.	Qty	Description	Item	Part No.	Qty	Description
<b>Work Section - Blade Hoist</b>							
2.1	<b>260015</b> 259686	2	. Port Relief Valve	2.5	257404	1	. Cap Kit, B Side
	256604	1	.. Seal Kit	2.6	599940	1	.. Seal Kit
2.2	599936	1	. Cap Kit, A Side	2.7	259362	1	. Spring Kit
2.2.1	599937	1	.. Seal Kit	2.8	260504	1	. Intersection Seal Kit
2.3	599944	2	. Solenoid Valve Kit	2.9	NSS	1	. Spool
	599442	1	.. Seal Kit				
2.4	260016	1	. Spool Compensator				

# End Section



Item	Part No.	Qty	Description	Item	Part No.	Qty	Description
	<b>260022</b>		<b>End Section</b>				
4.1	260409	1	. LSP Insert and Adapter Kit				
	260506	1	.. Seal Kit				

## Spool Sizes



Spools are color coded to ensure correct radial clearance between spool and spool bore. We recommend that you replace an entire valve section if the spool needs to be replaced. If you do replace just the spool, it is extremely important that the new spool is the right size.

See above. The inlet section has three stamps, and each work section has one. Refer to the stamp to know which "color" of spool to order.