

---

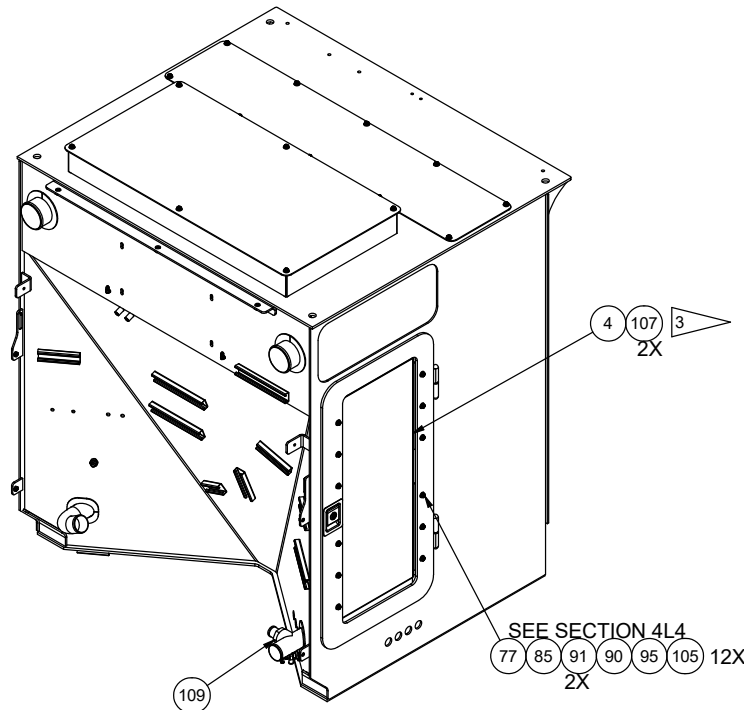
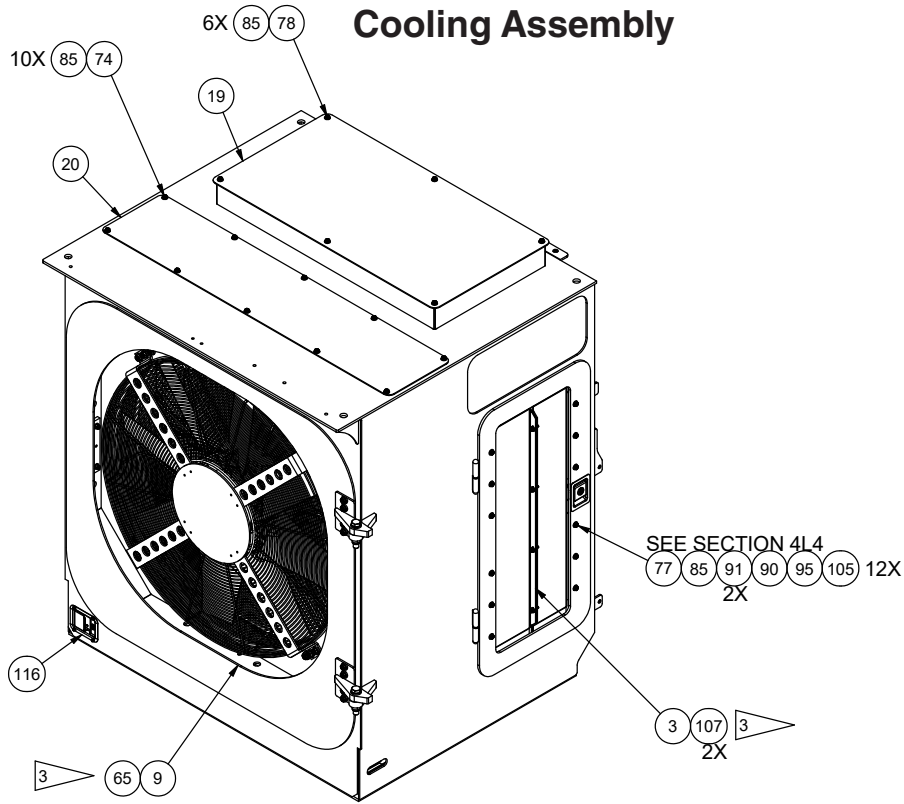
Cooling Assembly

## Cooling Assembly

Item	Part No.	Qty	Description	Item	Part No.	Qty	Description
	<b>603029</b>		<b>Cooling Assembly</b>				
1	603322	1	. Cooling Box	73	162572W	5	. Capscrew
2	* 603040	1	. Cooling Package, RAD/TOC/CAC	74	Y17C-0616	15	. Capscrew
3	* 603041	1	. Cooling Package, COND/FC	76	Y17C-0624	20	. Capscrew
4	603042	1	. Hydraulic Oil Cooler	77	R13811039	24	. Capscrew
6	603648	1	. Fan Guard	78	230776	6	. Capscrew
7	* 601865	1	. Motor W/ Valve	79	131137W	2	. Capscrew
8	* 603647	1	. Fan, Sucker	80	221569W	8	. Capscrew
9	603650	1	. Cooler Fan Door	81	233853	12	. Capscrew
10	601267	2	. Hinge	82	248986	2	. Capscrew
11	594987	1	. Latch, RH Rotary	83	293714W	2	. Capscrew
12	594992	1	. Striker	84	R13802914	3	. Washer
13	601979	1	. Gas Spring	85	221767W	62	. Washer
14	601269	1	. Baffle	87	221771W	24	. Washer
15	598545	1	. Pad, Support	88	221773W	24	. Washer
16	599726	2	. Tube, CAC	89	221777W	4	. Washer
17	243488	4	. Connector	90	237578	42	. Washer, Fender
18	605384	8	. Clamp, Constant Tension	91	R1929619	84	. Washer, Rubber
19	601270	1	. Intake Screen	92	296422W	4	. Washer
20	601271	1	. Plate, Access Cover	93	R13811190	3	. Locknut
21	604980	1	. Shim - Pad Support	94	221705W	2	. Hex Nut
24	225369	4	. T-Bolt Clamp	95	237567	32	. Locknut
26	CLP7051171	2	. Mini Worm Drive Clamp	96	R13805167	2	. Locknut
27	603330	1	. Plate, Baffle	97	605080	1	. Tap Pad, Striker
28	601281	1	. Plate, Gas Spring Mount	98	223587	10	. Locknut
30	595701	2	. Fitting	99	R13811194	12	. Locknut
31	595783	2	. Fitting	100	302402W	2	. Locknut
33	231444	1	. Fitting	101	251400	2	. Hex Nut
34	231443	1	. Fitting	102	302405W	2	. Locknut
35	R833112	1	. Fitting	103	246037	A/R	. Threadlock
36	R834655	1	. Fitting	104	595198-12	2	. Silicone, Rubber
37	598621	2	. Fitting	105	601795	42	. Spacer, Isolator
38	598178	2	. Fitting	107	598517-116	2	. Trim, Hatch Seal
40	R833276	2	. Fitting	108	200454W	2	. Capscrew
41	2305620W	3	. Fitting	109	602712	1	. Fitting
42	2510159	2	. Fitting	110	603664	2	. Rotary Push-To-Close Latch
43	589536	1	. Ball Valve	112	R13811040	2	. Capscrew
44	22293	1	. Fitting	114	302399W	8	. Locknut
45	209596	1	. Fitting	115	235708	2	. Jam Nut
46	211367	1	. Fitting	116	604296	1	. Paddle Actuator
47	209757	2	. Fitting	117	Y73G-(1024)12	4	. Capscrew
48	R834653	1	. Fitting	118	Y35E-#10	8	. Washer
49	241846	1	. Fitting, Bulkhead	119	WCT0000187	1	. Washer
50	203274	1	. Shutoff Valve	120	R13809543	4	. Locknut
51	209501	1	. Fitting	121	00103373	1	. Cotter Pin
52	R12600119	2	. Fitting	199	603367	1	. Kit, Hose
54	23543	2	. Fitting	199.1	211791-19	2	. Hose, Radiator
55	209406	2	. Fitting	199.2	259106-51	1	. Hose
57	R833805	1	. Fitting	199.3	259106-78	1	. Hose
60	209423	2	. Fitting	199.4	592605-19	1	. Hose, Coolant
61	R13803034	2	. Clip, Insulated	199.6	603360	2	. Hose Assembly
62	209588	2	. Clip, Insulated	199.9	598252	1	. Hose Assembly, Fuel
63	231660	4'	. Wire Rope	199.10	603599	1	. Hose Assembly, Fuel
64	231658	2	. Clip, Cable	199.11	603656	1	. Hose Assembly, Fuel
65	598517-205	1	. Trim, Hatch Seal	199.12	602170	1	. Hose Assembly
66	231251	2	. Clamp	199.13	598619	1	. Hose Assembly
67	231296	1	. Clamp	199.14	R12216	1	. Hose Assembly
68	CLP0100112	1	. Clamp, Hydra-Zorb	199.15	601275	1	. Hose Assembly
69	231248	2	. Clamp	199.16	604061	1	. Hose Assembly
72	R13811016	3	. Capscrew	199.17	601276	1	. Hose Assembly
				199.18	208881	2	. Hose Assembly

\* See Separate Coverage

# Cooling Assembly



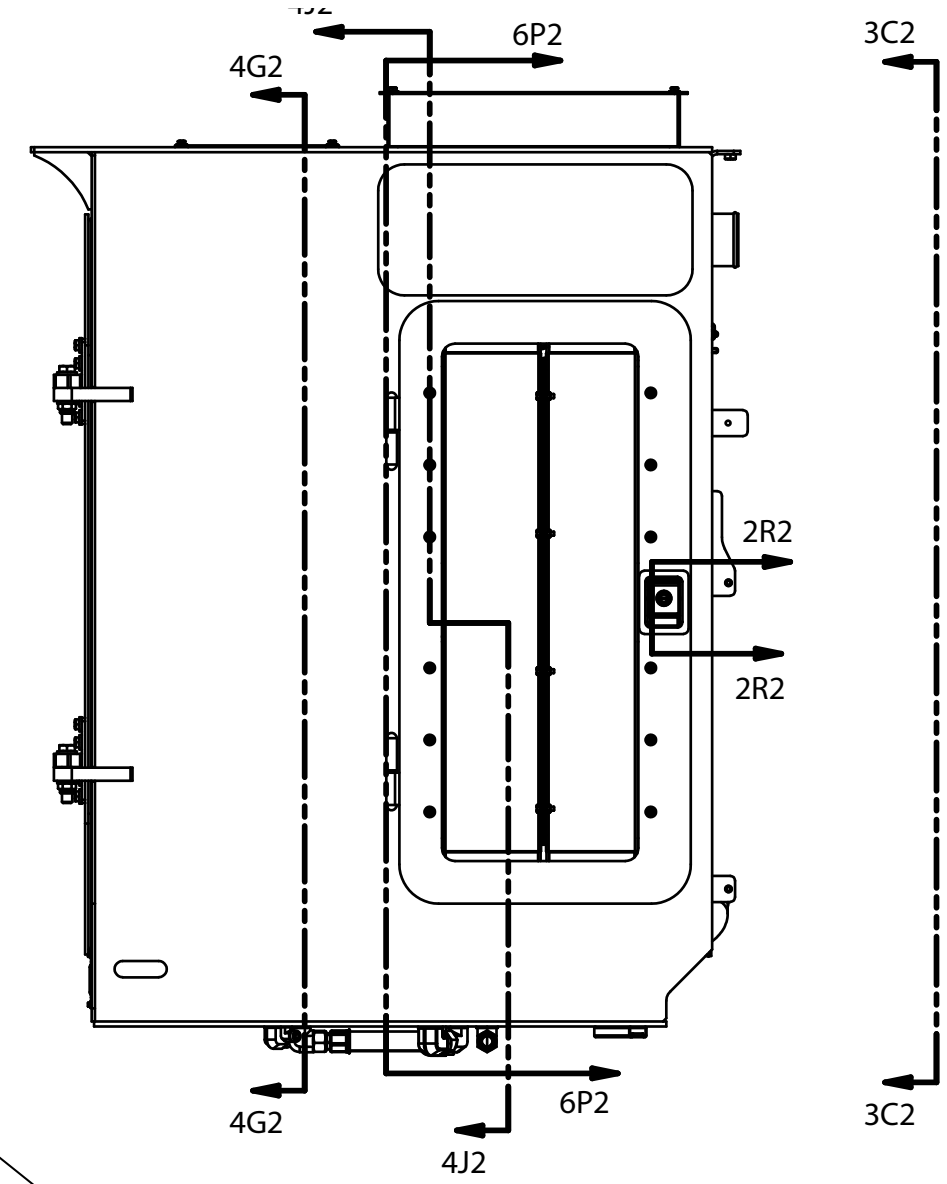
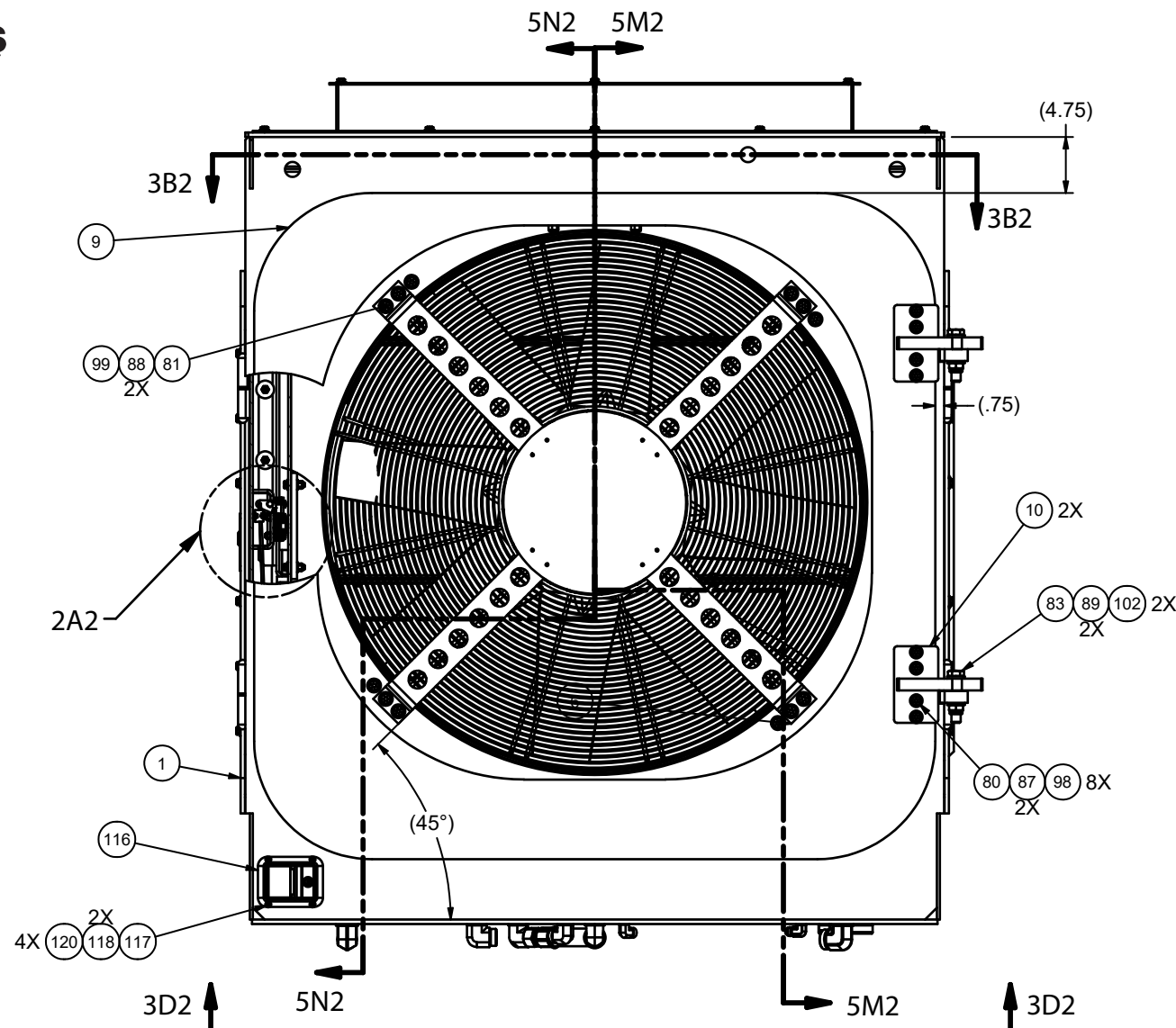
**NOTES:**

- 1 > TORQUE FAN ATTACHMENT HARDWARE (ITEM 101) TO 60-65 FT-LBS.
- 2 > USE BLUE LOCTITE (ITEM 103) WHEN TIGHTENING HARDWARE FOR INSTALLING COOLING PACKAGE ASSEMBLY (ITEM 2).

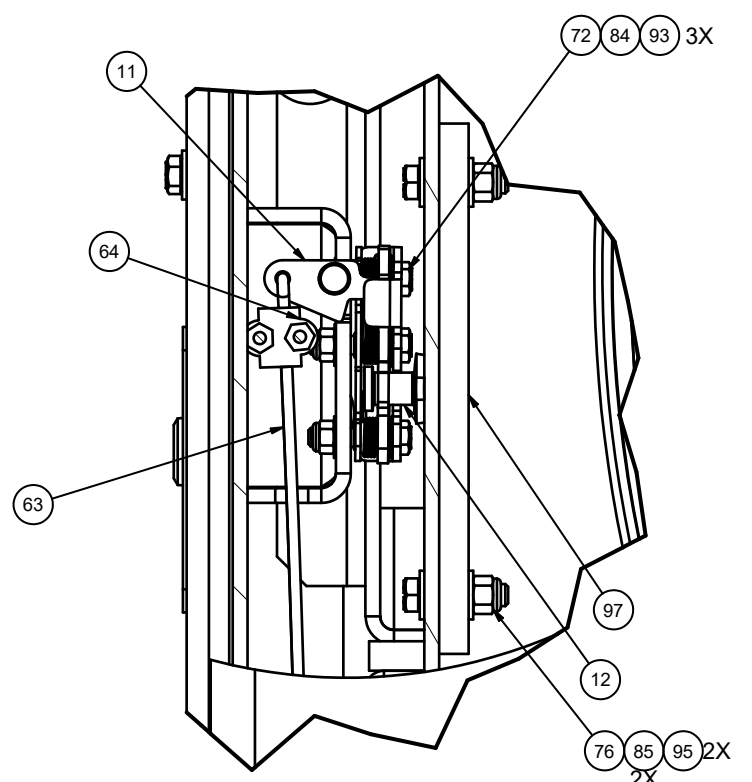
- 3 > USE AS MUCH AS POSSIBLE TO ELIMINATE THE DOOR RATTLING YET ALLOW THE DOOR TO SHUT
- 4 > ORIENTATE EXTERNAL FAN GUARD SQUARE TO THE FRAME, OFFSET INTERNAL FAN GUARD.

VIEW LOCATION KEY:  
 FIRST NUMBER IS THE SHEET THAT THE DETAIL/SECTION IS LOCATED ON  
 LETTER IS THE ALPHABETIC DESIGNATION OF THE DETAIL/SECTION  
 LAST NUMBER IS THE SHEET THAT THE DETAIL/SECTION IS TAKEN FROM

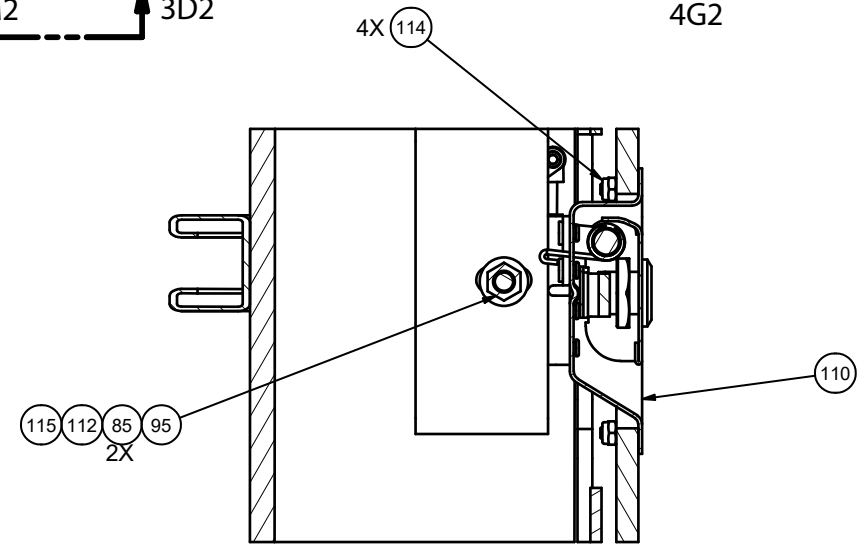
EX: 2C1 = DETAIL/SECTION IS LOCATED ON SHEET "2", DESIGNATED AS "C", TAKEN FROM A VIEW ON SHEET "1"



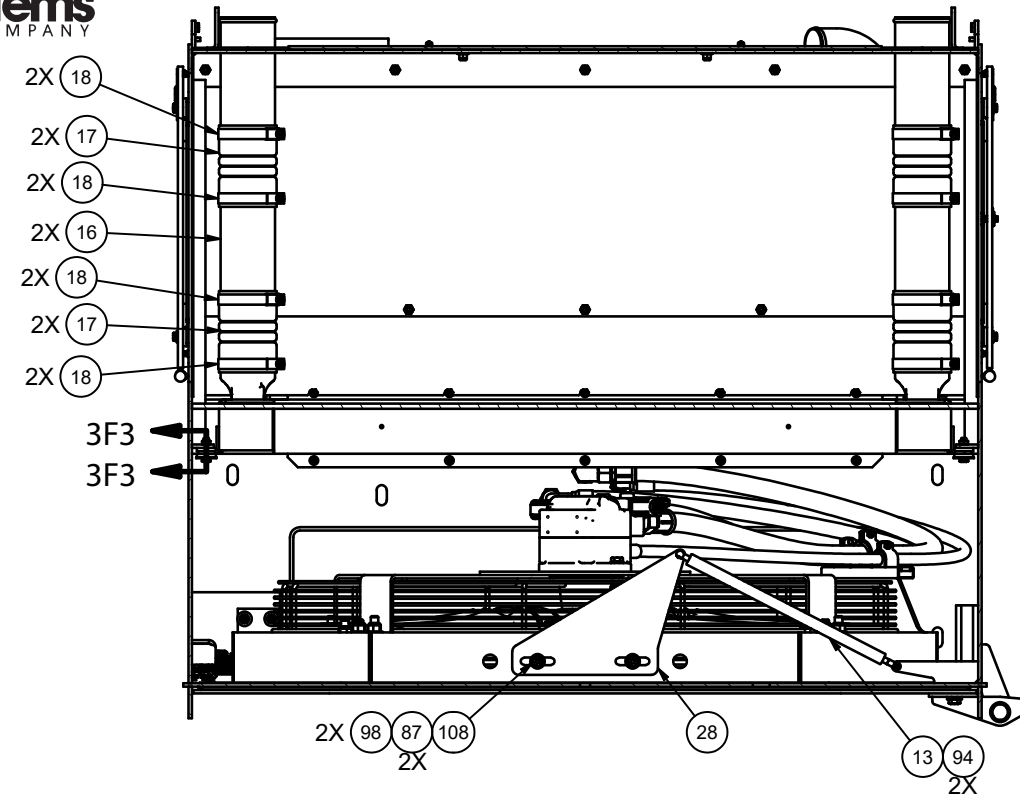
**Cooling Assembly**



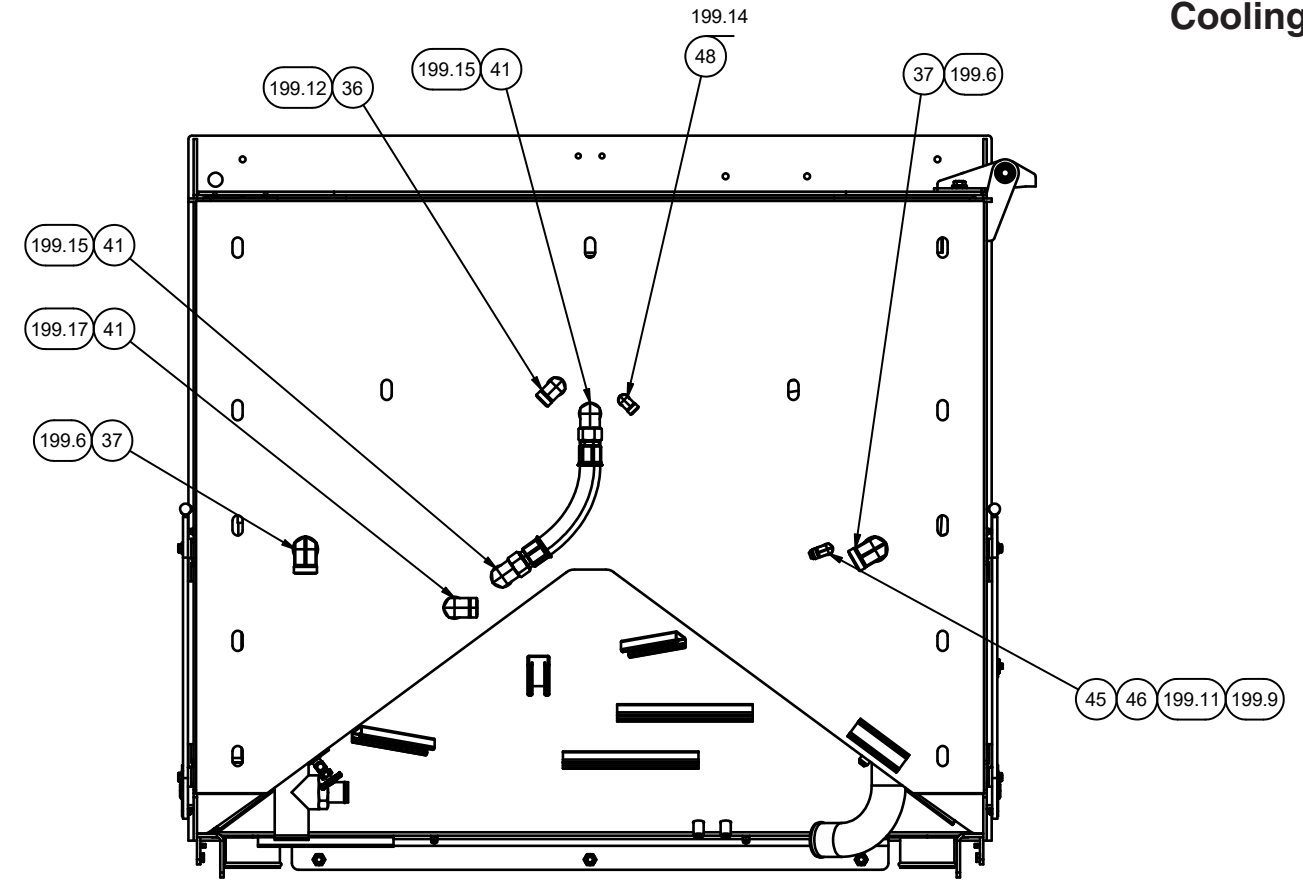
**DETAIL 2A2**



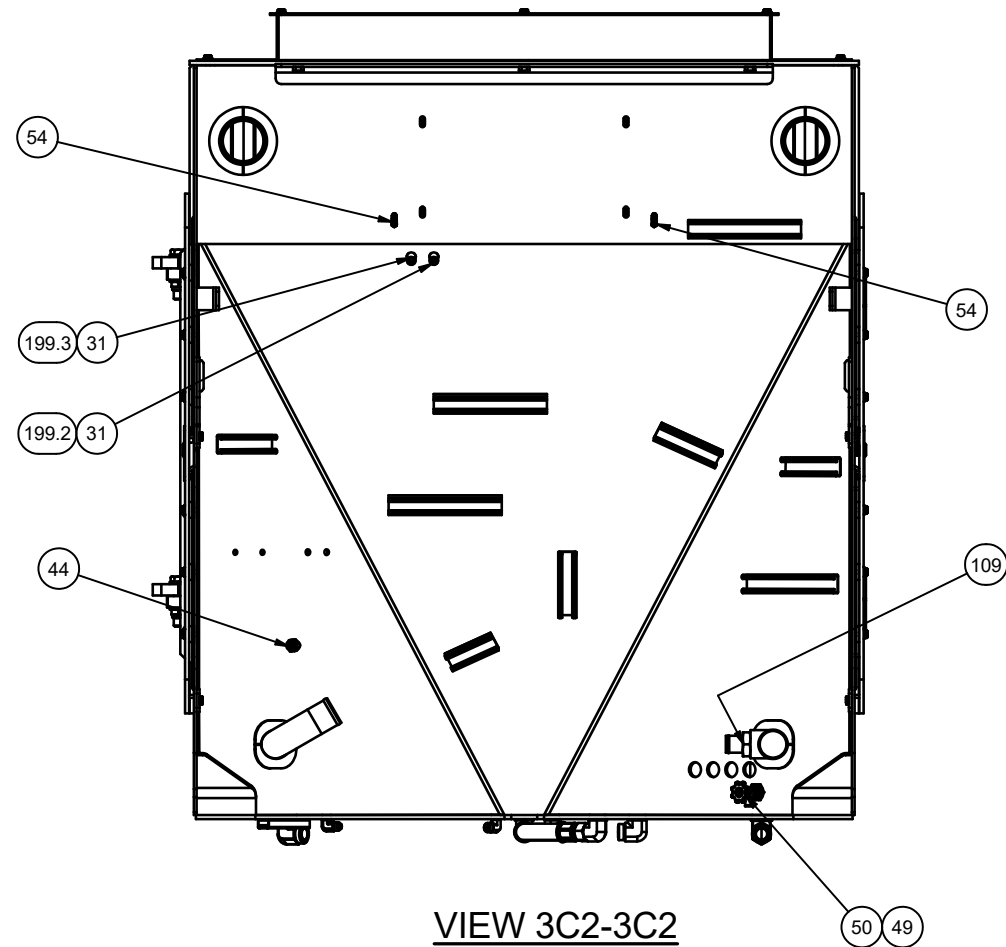
**SECTION 2R2-2R2  
2 PLCS**



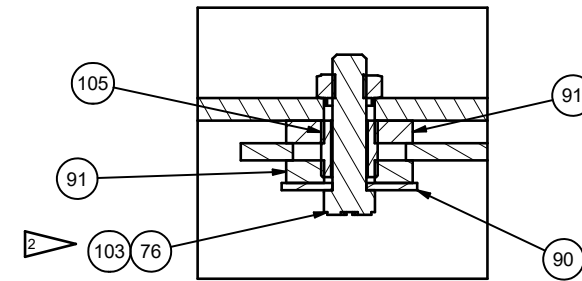
SECTION 3B2-3B2



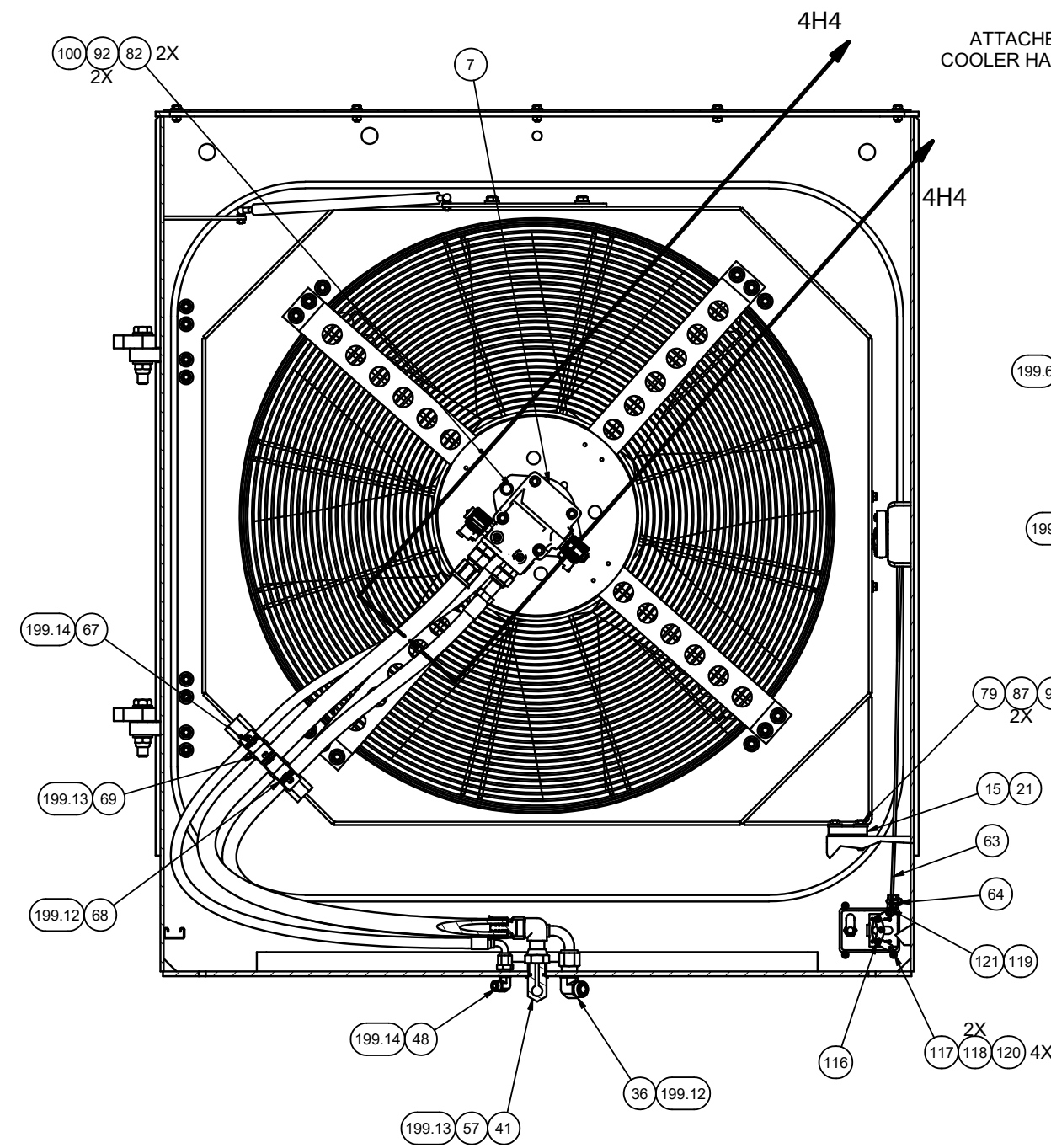
VIEW 3D2-3D2



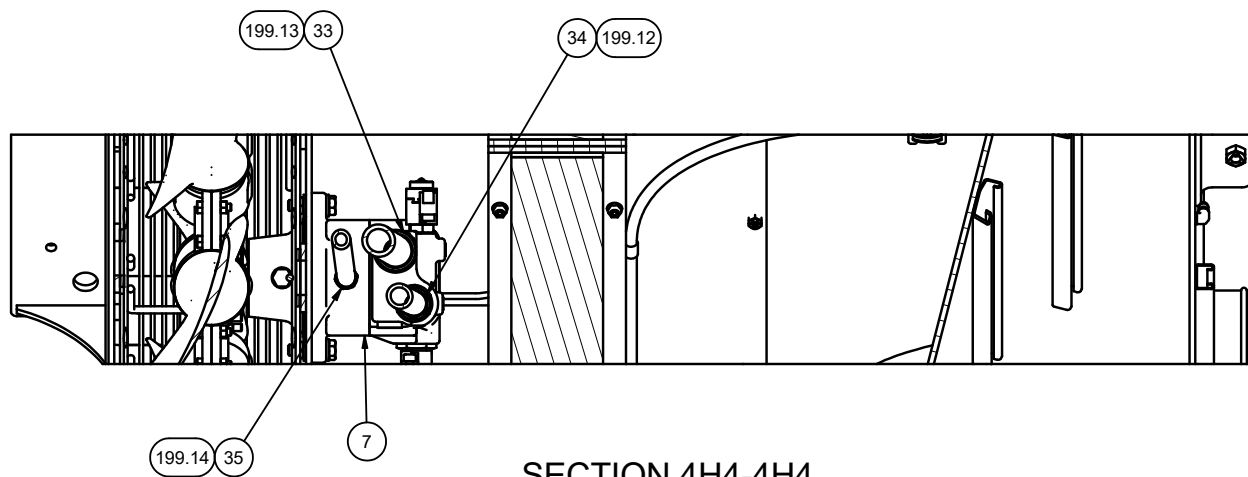
VIEW 3C2-3C2



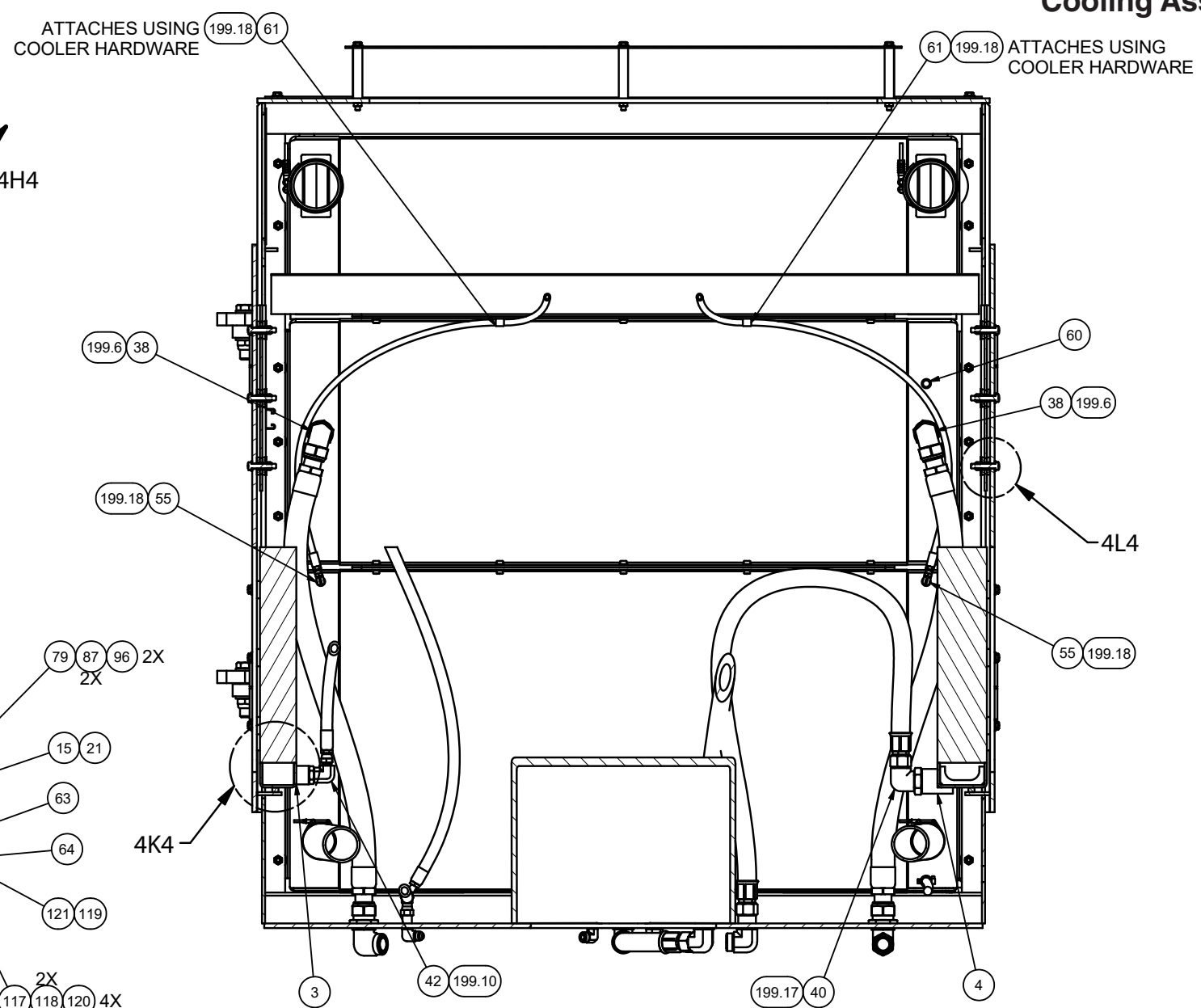
SECTION 3F3-3F3  
20 PLACES



**SECTION 4G2-4G2**

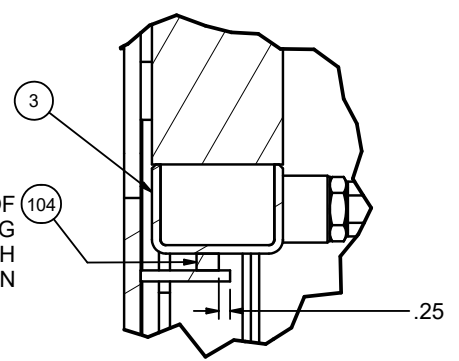


**SECTION 4H4-4H4  
VIEW ROTATED FOR CLARITY**

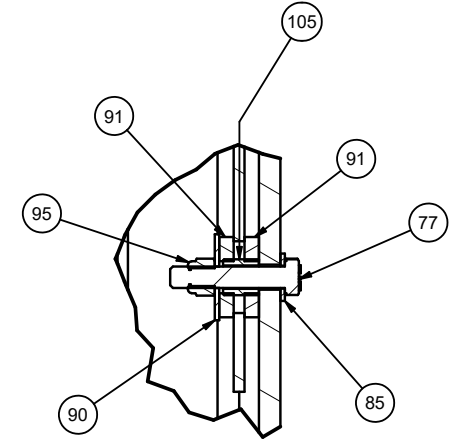


**SECTION 4J2-4J2**

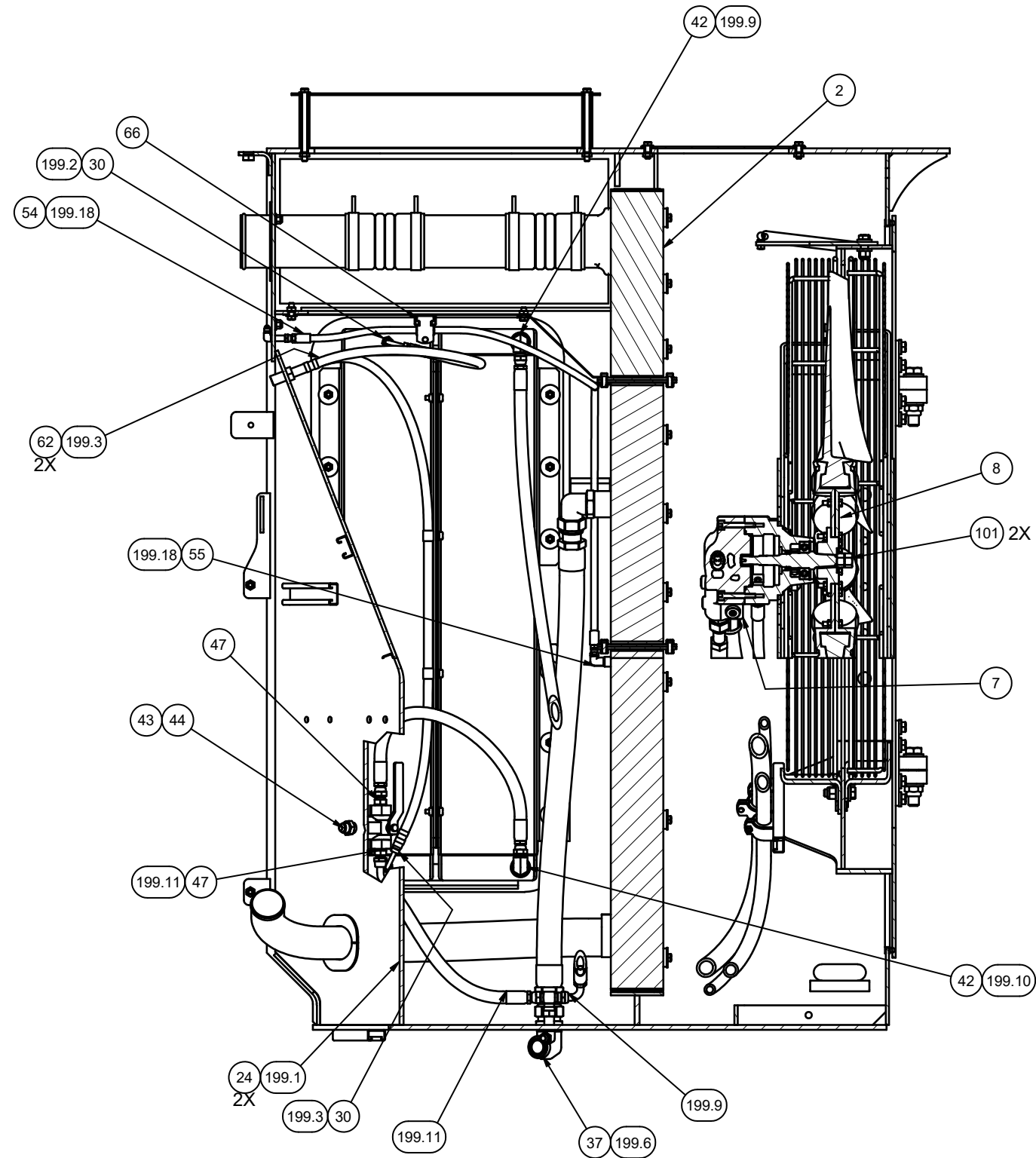
LOCATE ON CENTER OF  
MOUNT BAR ON COOLING  
BOX SIDE DOOR WITH  
ADHESIVE SIDE DOWN



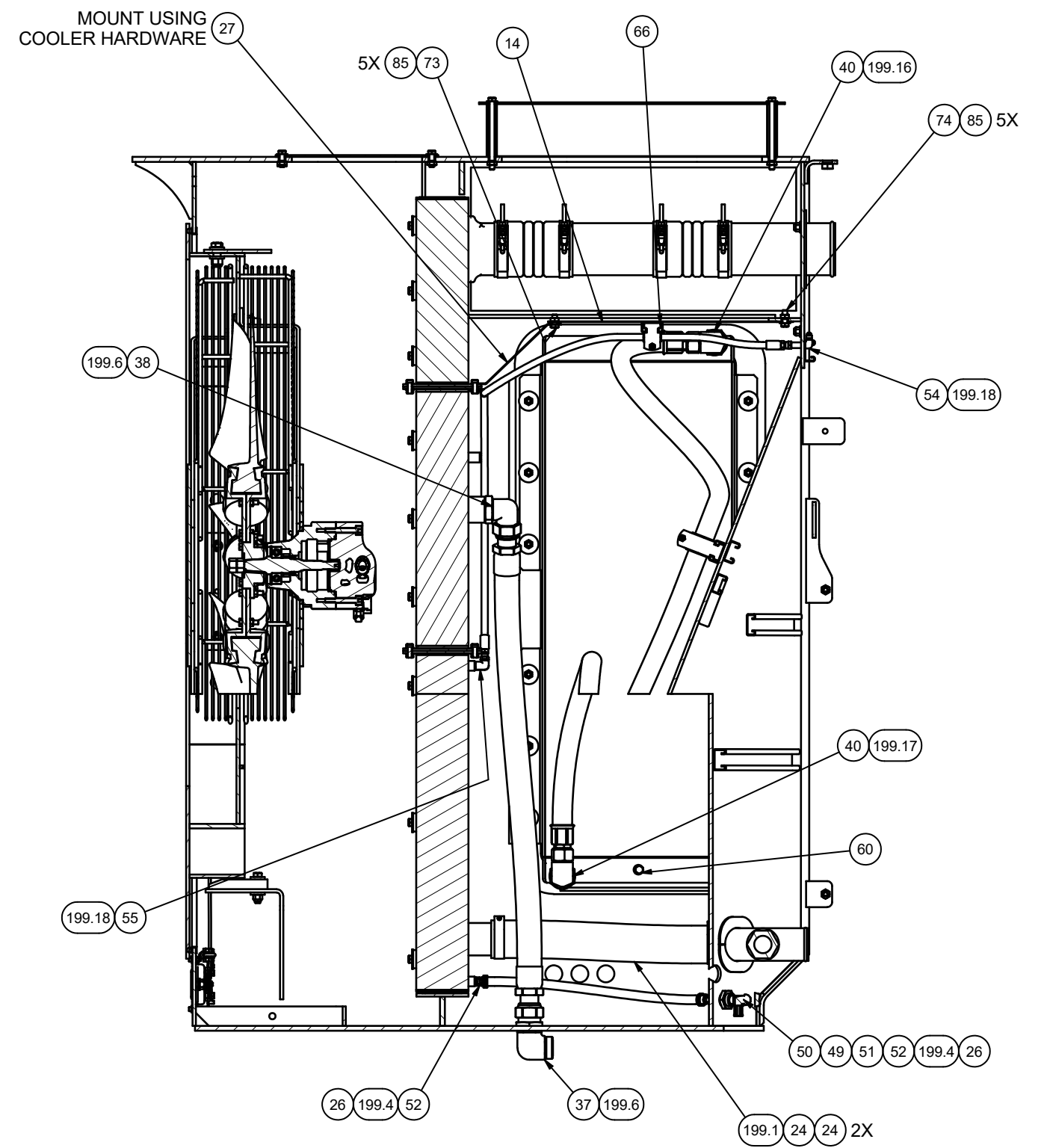
**DETAIL 4K4  
2 PLCS**



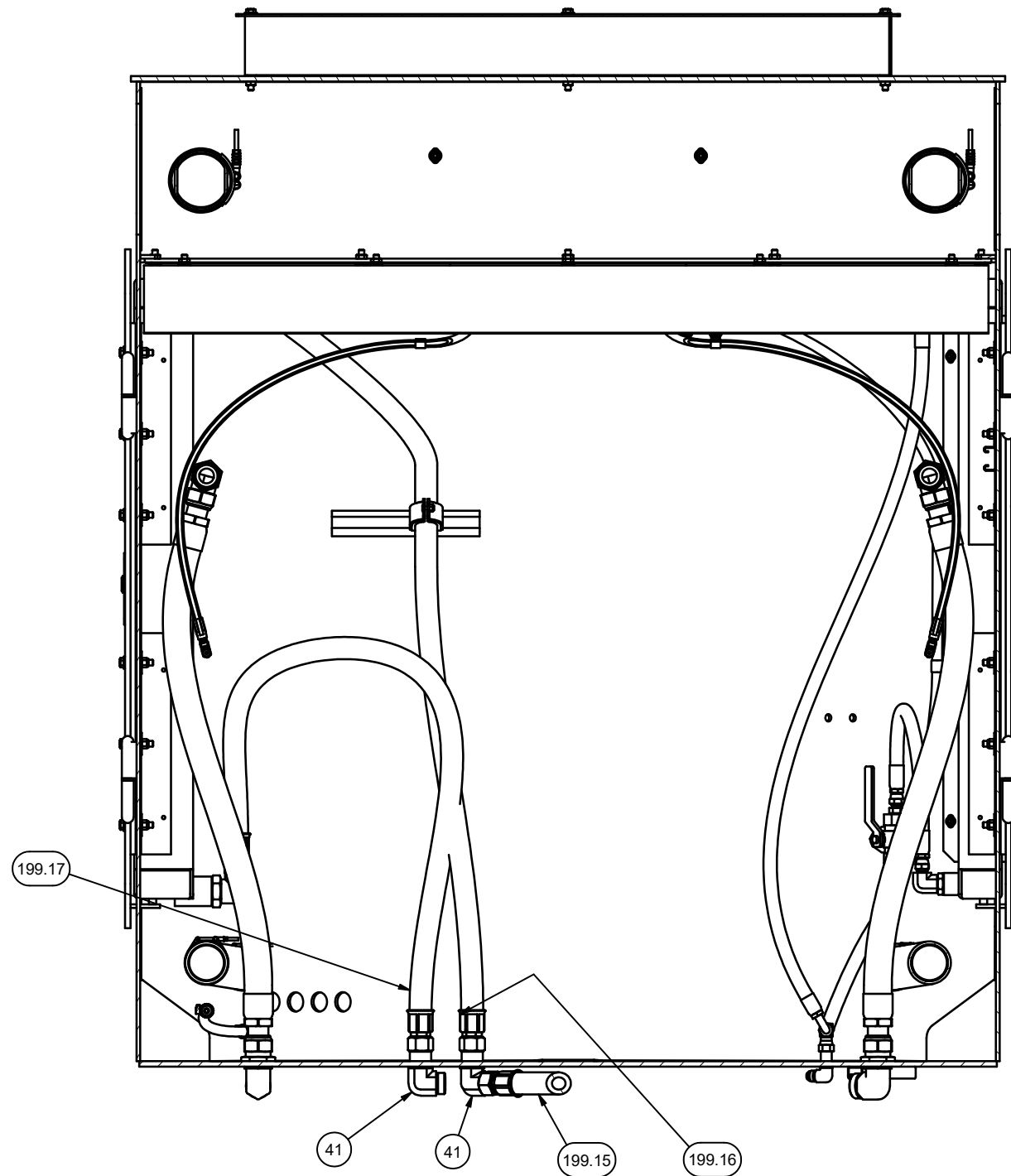
**DETAIL 4L4  
24 PLCS**



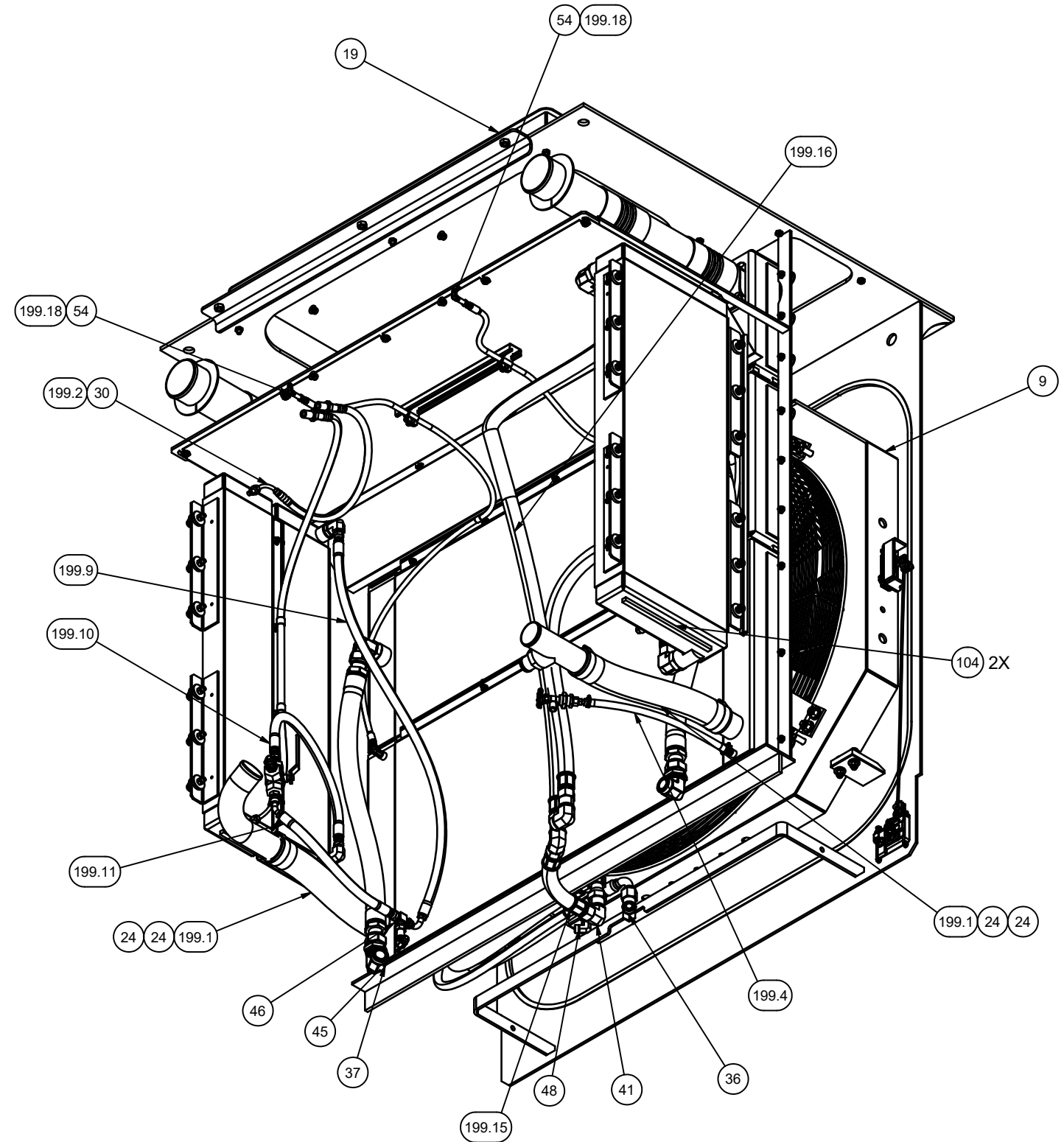
**SECTION 5M2-5M2**



**SECTION 5N2-5N2**



SECTION 6P2-6P2



PARTS HIDDEN FOR CLARITY