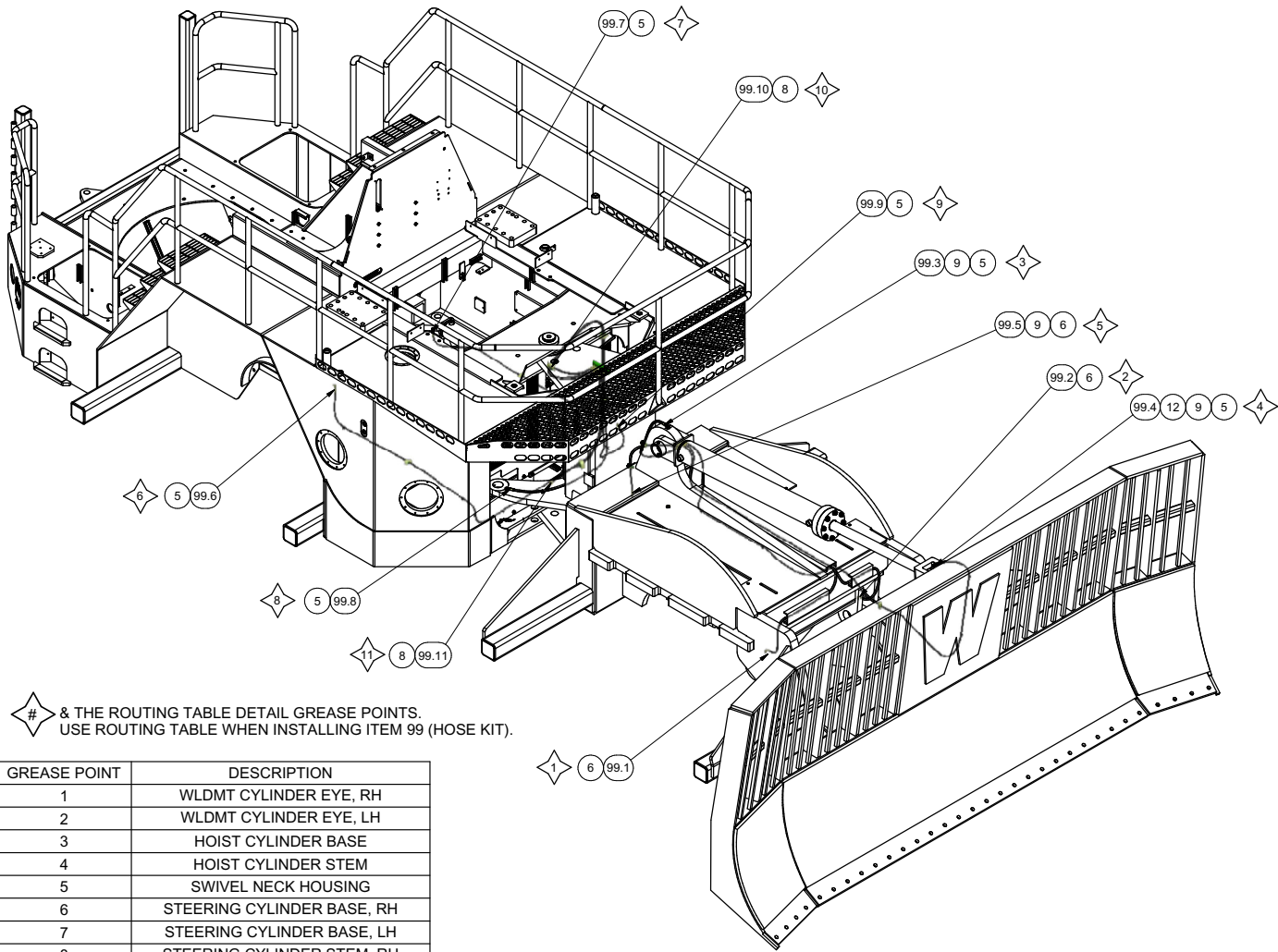

Lube System Installation, Central

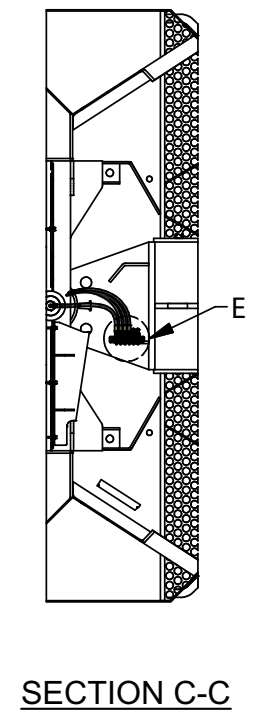
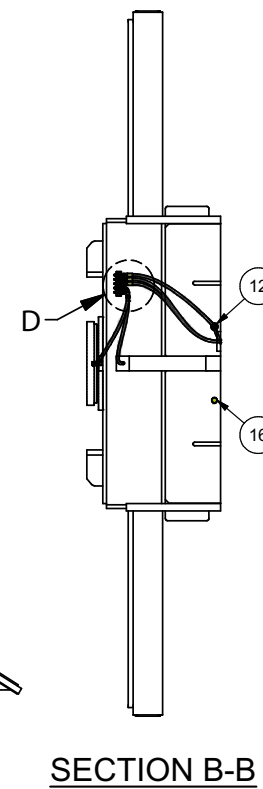
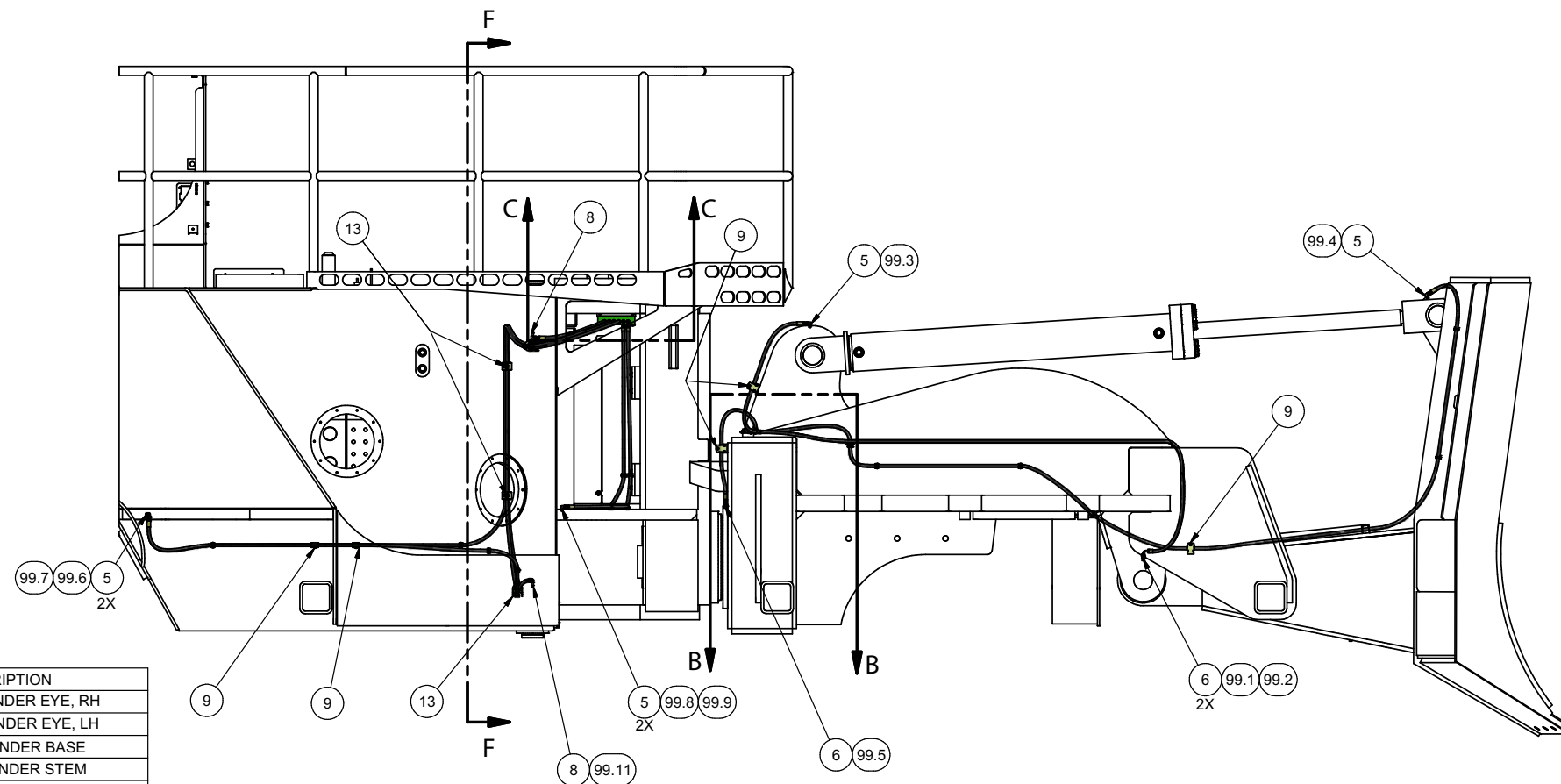
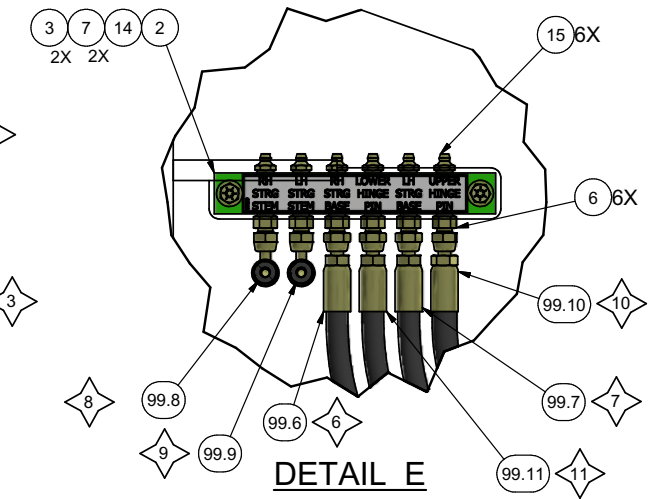
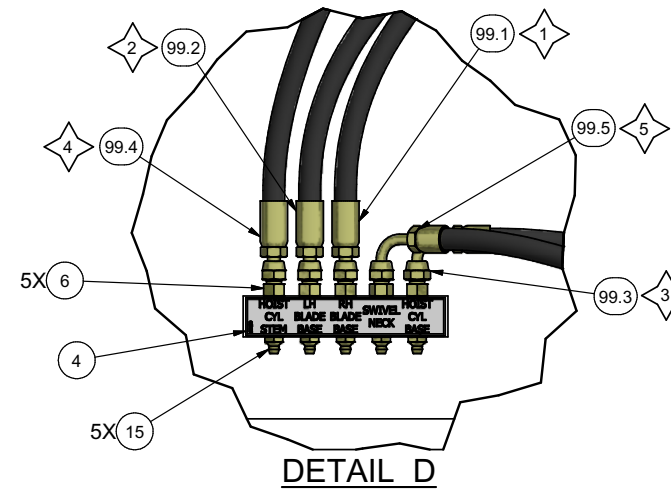
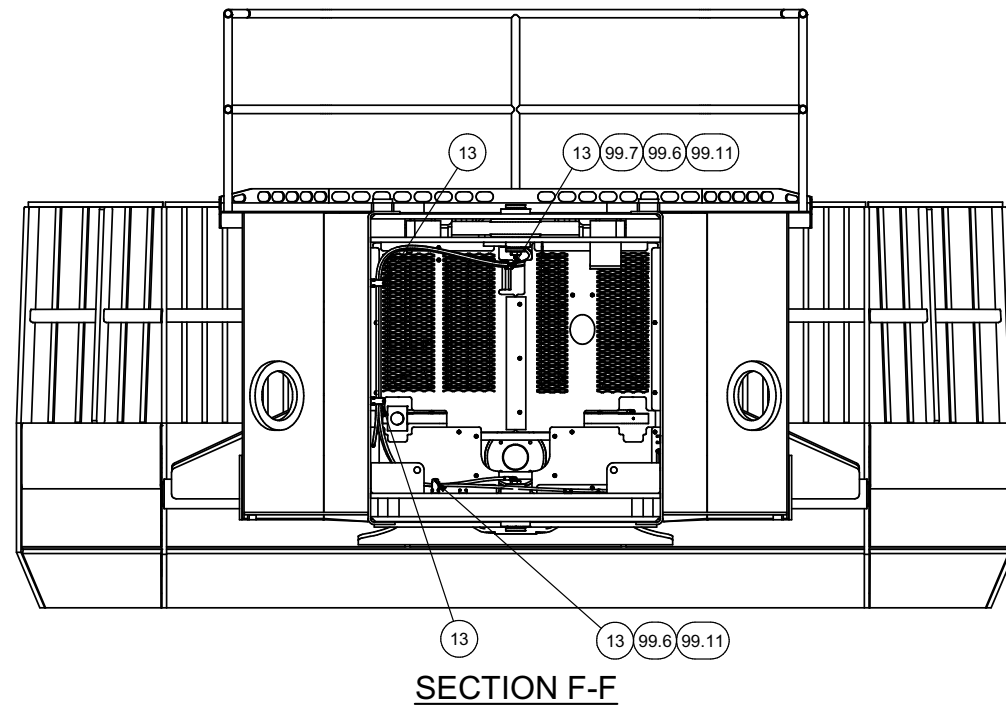
Lube System Installation, Central

Item	Part No.	Qty	Description	Item	Part No.	Qty	Description
	602039		Lube System Installation, Central				
2	601563	1	. Manifold, Lube	16	322759W	1	. Plug - Button
3	602889	1	. Decal, Lube Manifold	17	211790	4'	. Spiral Wrap
4	602890	1	. Decal, Lube Manifold	99	602535	1	. Kit, Hose
5	209405	6	. Fitting	99.1	237847	1	.. Hose Assembly
6	209750	14	. Fitting	99.2	235810	1	.. Hose Assembly
7	221763W	2	. Washer	99.3	237213	1	.. Hose Assembly
8	230918	2	. Fitting	99.4	246134	1	.. Hose Assembly
9	231251	5	. Clamp	99.5	235521	1	.. Hose Assembly
10	249329	17	. Cable Tie	99.6	23963	1	.. Hose Assembly
11	595326	17	. Mount, Tack	99.7	230879	1	.. Hose Assembly
12	598587	1	. Grommet	99.8	247728	1	.. Hose Assembly
13	CLP0100112	4	. Clamp, Hydra-Zorb	99.9	251371	1	.. Hose Assembly
14	R13810997	2	. Capscrew	99.10	220335	1	.. Hose Assembly
15	16001W	11	. Fitting, Lube	99.11	14718	1	.. Hose Assembly



& THE ROUTING TABLE DETAIL GREASE POINTS.
USE ROUTING TABLE WHEN INSTALLING ITEM 99 (HOSE KIT).

GREASE POINT	DESCRIPTION
1	WLDMT CYLINDER EYE, RH
2	WLDMT CYLINDER EYE, LH
3	HOIST CYLINDER BASE
4	HOIST CYLINDER STEM
5	SWIVEL NECK HOUSING
6	STEERING CYLINDER BASE, RH
7	STEERING CYLINDER BASE, LH
8	STEERING CYLINDER STEM, RH
9	STEERING CYLINDER STEM, LH
10	UPPER HINGE PIN
11	LOWER HINGE PIN



GREASE POINT	DESCRIPTION
1	WLDMT CYLINDER EYE, RH
2	WLDMT CYLINDER EYE, LH
3	HOIST CYLINDER BASE
4	HOIST CYLINDER STEM
5	SWIVEL NECK HOUSING
6	STEERING CYLINDER BASE, RH
7	STEERING CYLINDER BASE, LH
8	STEERING CYLINDER STEM, RH
9	STEERING CYLINDER STEM, LH
10	UPPER HINGE PIN
11	LOWER HINGE PIN