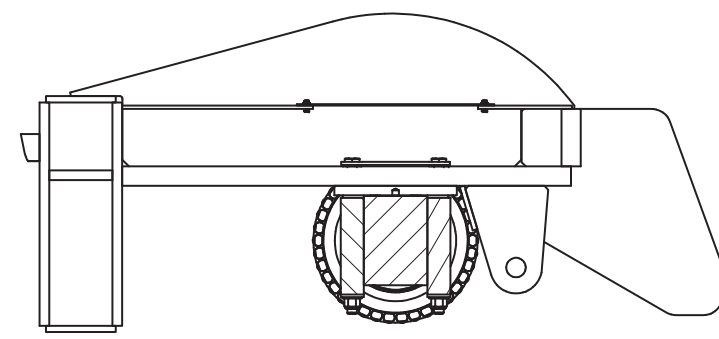
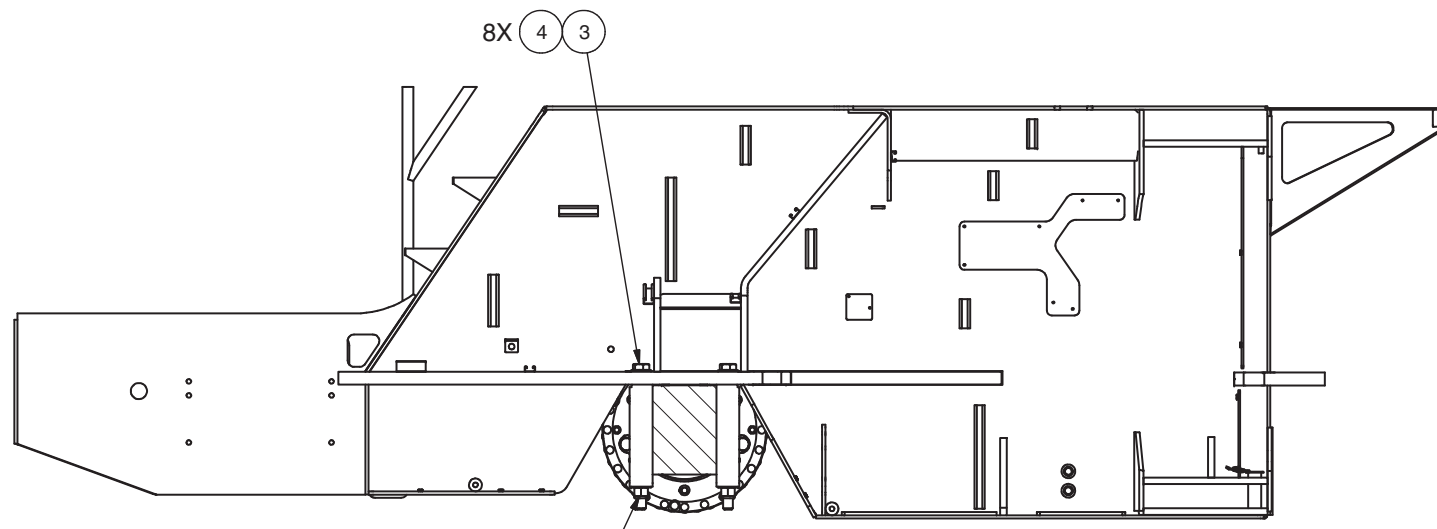
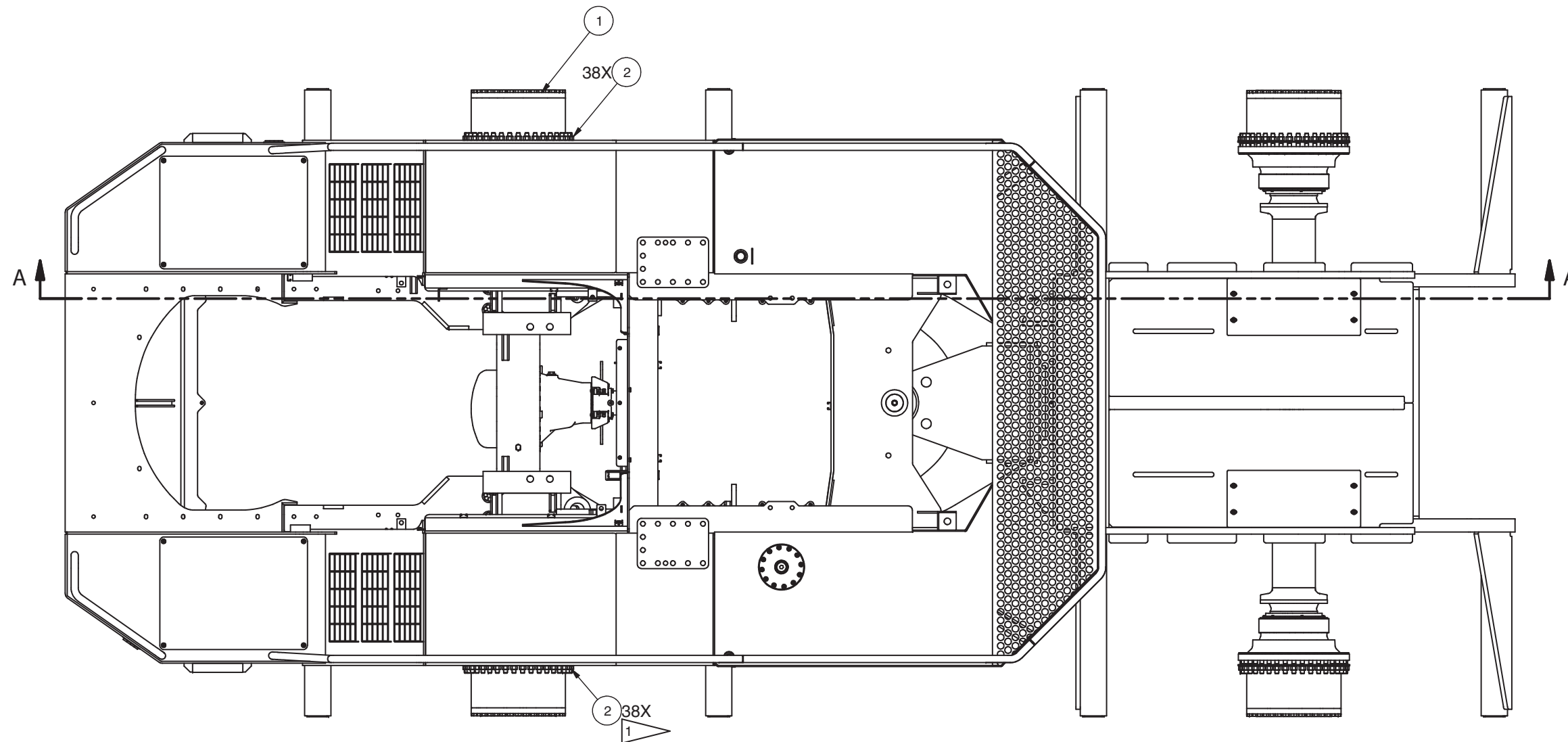


Rear Axle Installation



NOTES:
1: TORQUE ITEM 2 TO 480 - 500 FT/LBS
2: TORQUE ITEM 5 TO 3210 - 3370 FT/LBS

SECTION A-A

Item	Part No.	Qty	Description
602031 Rear Axle Installation			
1	* 602145	1	. Axle, No-Spin, Rear
2	591870	76	. Nut, Wheel
3	596614	8	. Capscrew
4	221786W	16	. Washer
5	R13803610	8	. Locknut

* See Separate Coverage