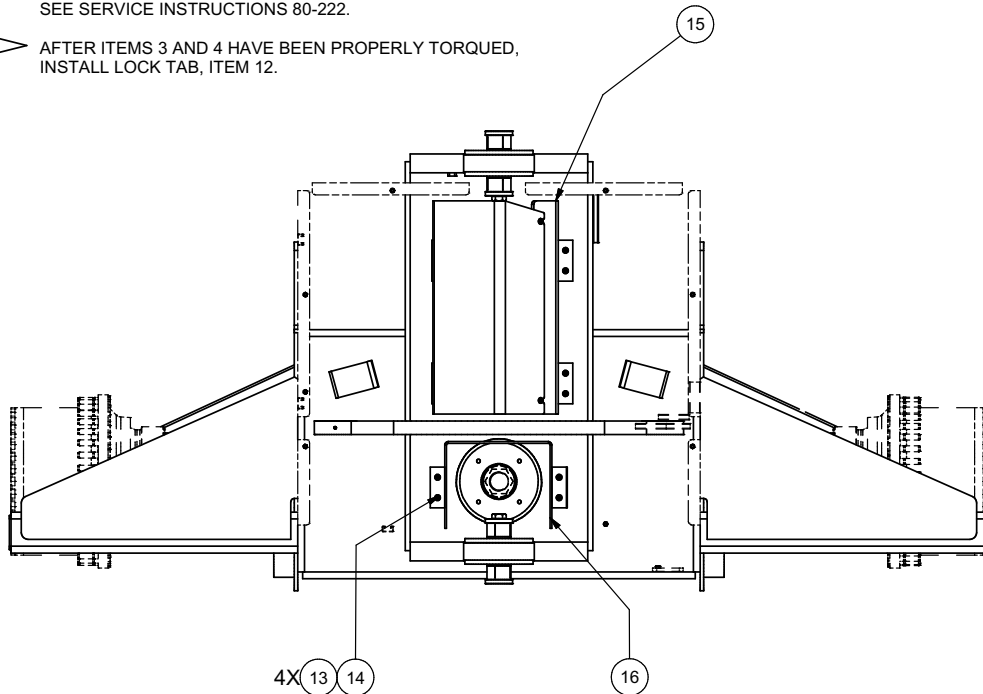

Swivel Box/Bogie Installation

Swivel Box/Bogie Installation

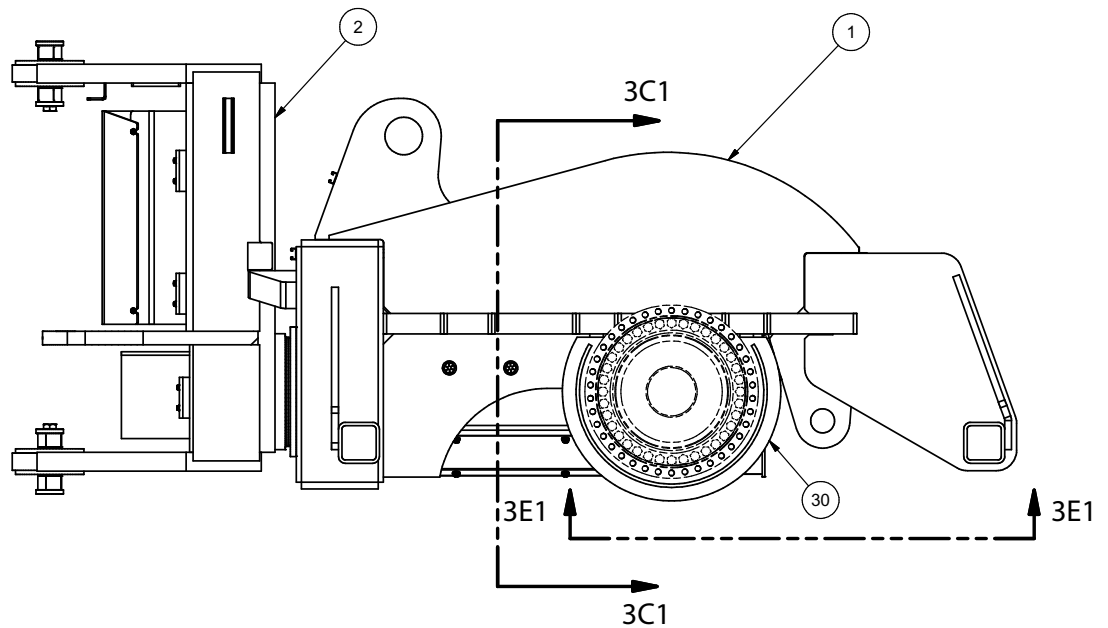
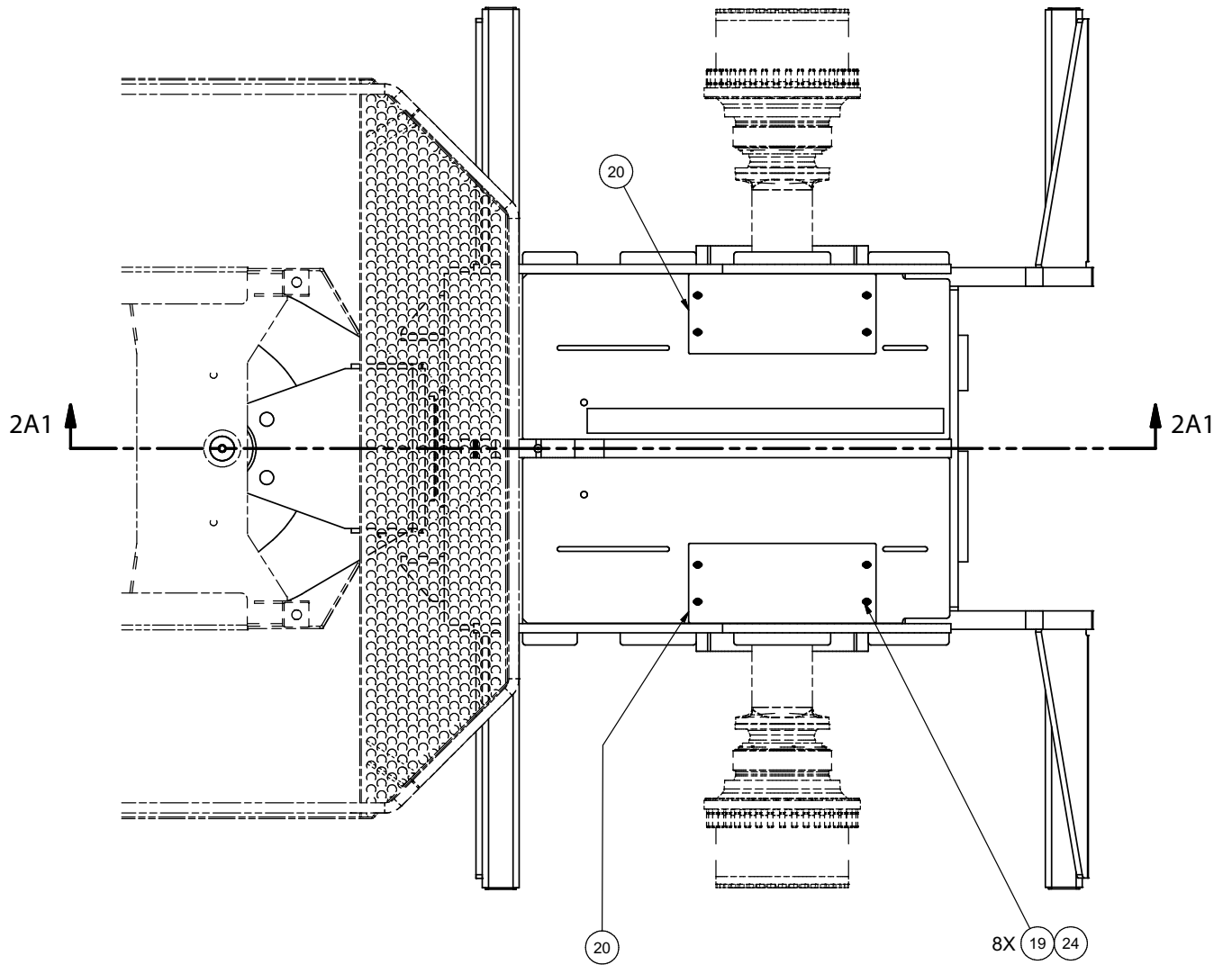
Item	Part No.	Qty	Description	Item	Part No.	Qty	Description
602016 Swivel Box/Bogie Installation							
1	602148	1	. Bogie	16	602423	1	. Swivel Driveline Guard
2	602147	1	. Swivel Box	17	602348	1	. Door, Bogie Belly Pan
3	539434	1	. Nut	18	602350	1	. Belly Pan
4	501874	1	. Nut	19	219975	8	. Capscrew
5	556836	2	. Plate, Seal	20	602377	2	. Cover, Bogie
6	203506	2	. O-Ring	21	221698W	6	. Capscrew
7	204605	2	. Bearing Cup	22	602498	1	. Belly Pan Front Bogie
8	200219	2	. Bearing Cone	23	221560W	8	. Capscrew
9	601804	2	. Pin	24	221771W	16	. Washer
10	500093	4	. Washer	25	221780W	6	. Washer
11	214314	2	. Bearing, Spherical	26	R13811196	2	. Locknut
12	534398	1	. Plate, Lock	27	221777W	14	. Washer
13	221499W	4	. Capscrew	28	221659W	2	. Capscrew
14	221767W	4	. Washer	29	169337W	8	. Capscrew
15	602422	1	. Swivel Lube Guard	30	603275	2	. Axle Guard

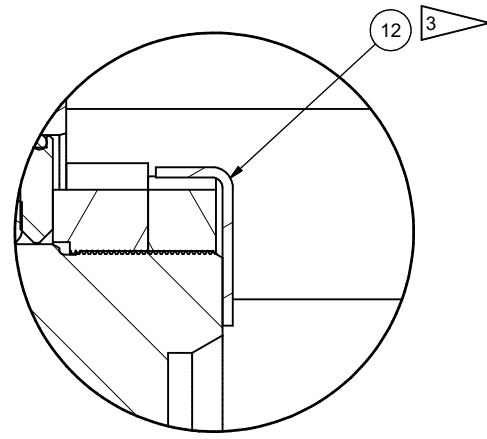
2 TORQUE INNER NUT TO: 11,500-12,000 Ft-Lbs.
(REF; 556042, WRENCH - SWIVEL NUT)
SEE SERVICE INSTRUCTIONS 80-222.

3 AFTER ITEMS 3 AND 4 HAVE BEEN PROPERLY TORQUED,
INSTALL LOCK TAB, ITEM 12.

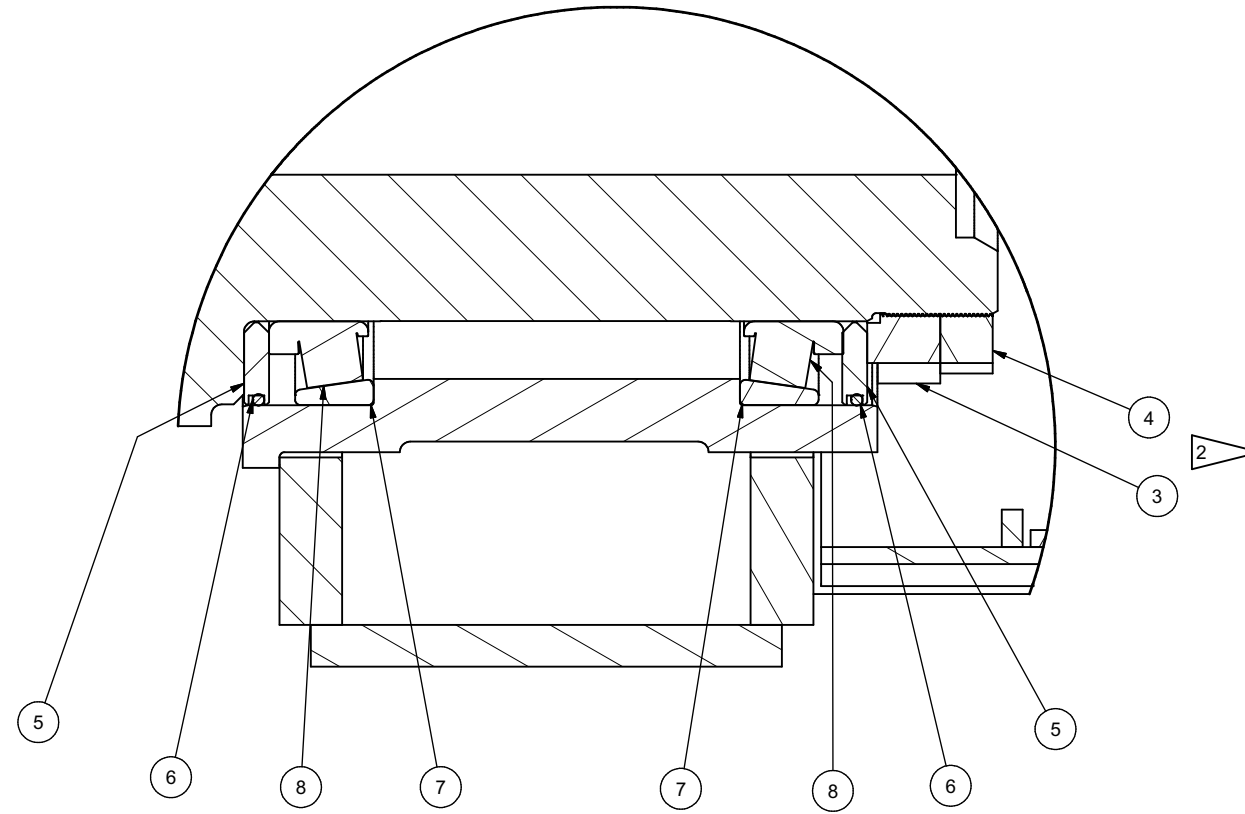


Swivel Box/Bogie Installation

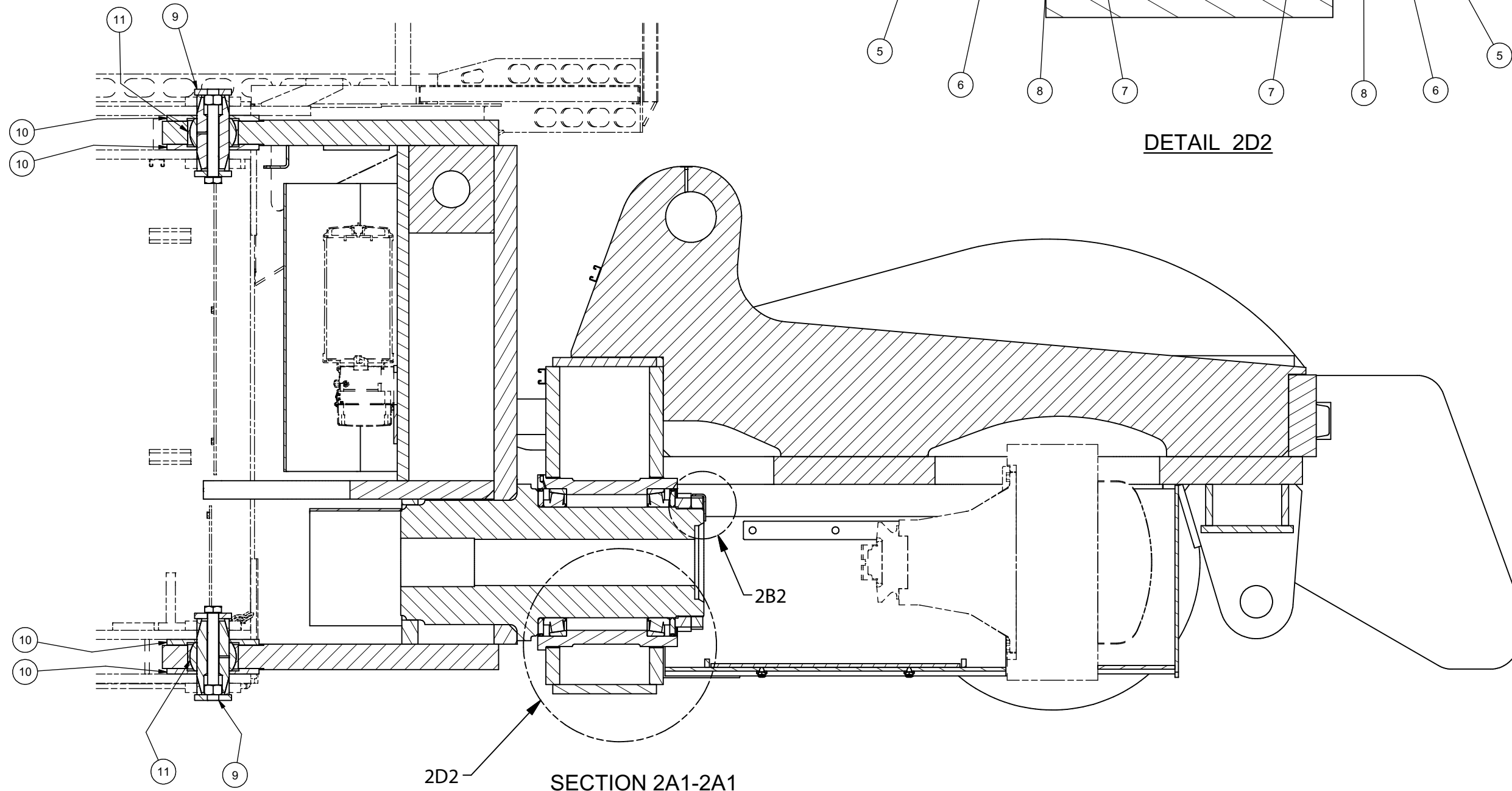




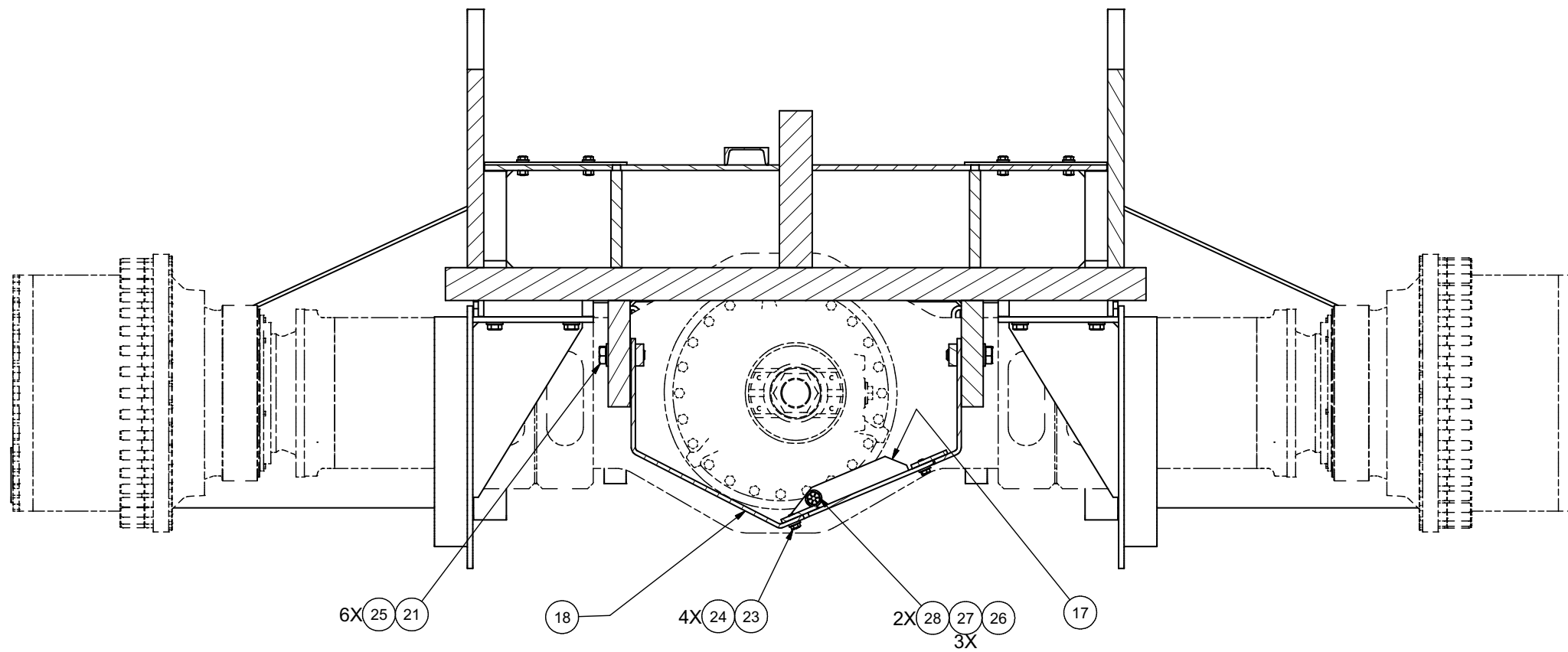
DETAIL 2B2



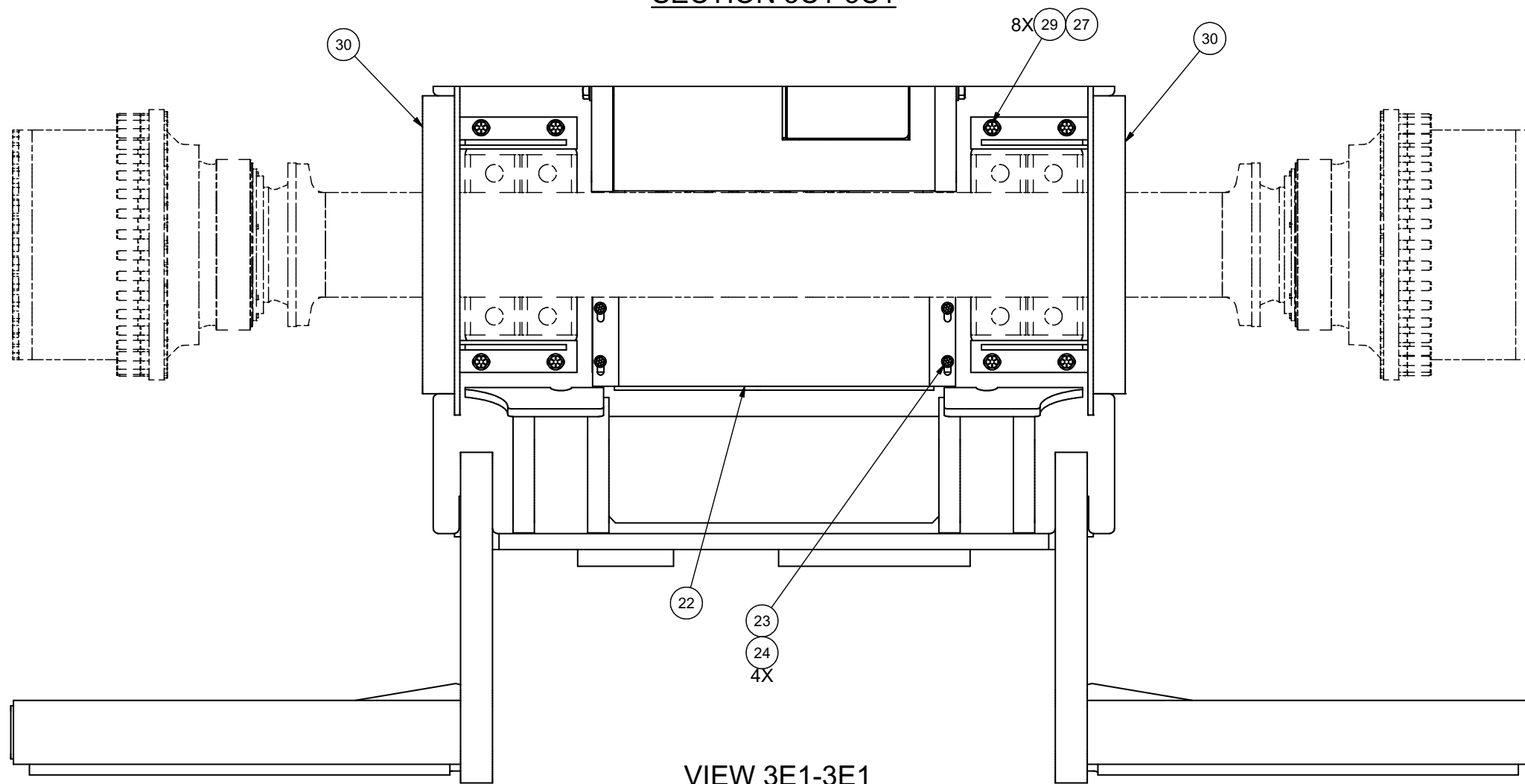
DETAIL 2D2



SECTION 2A1-2A1



SECTION 3C1-3C1



VIEW 3E1-3E1