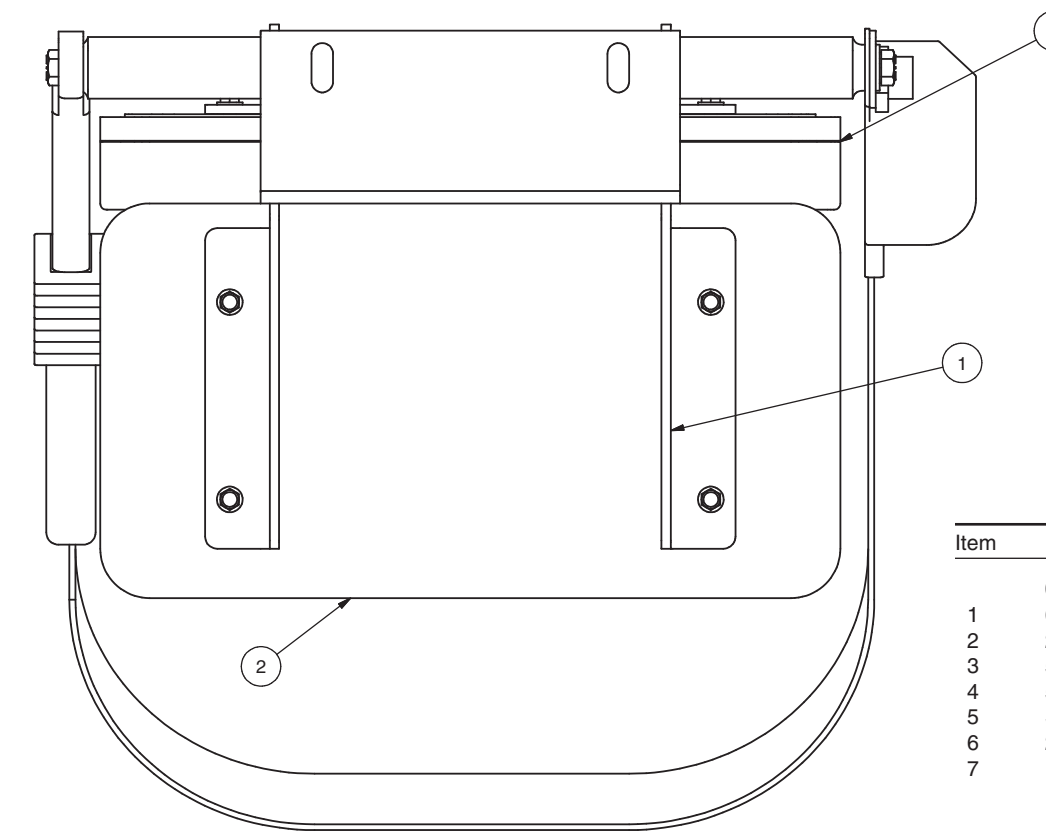
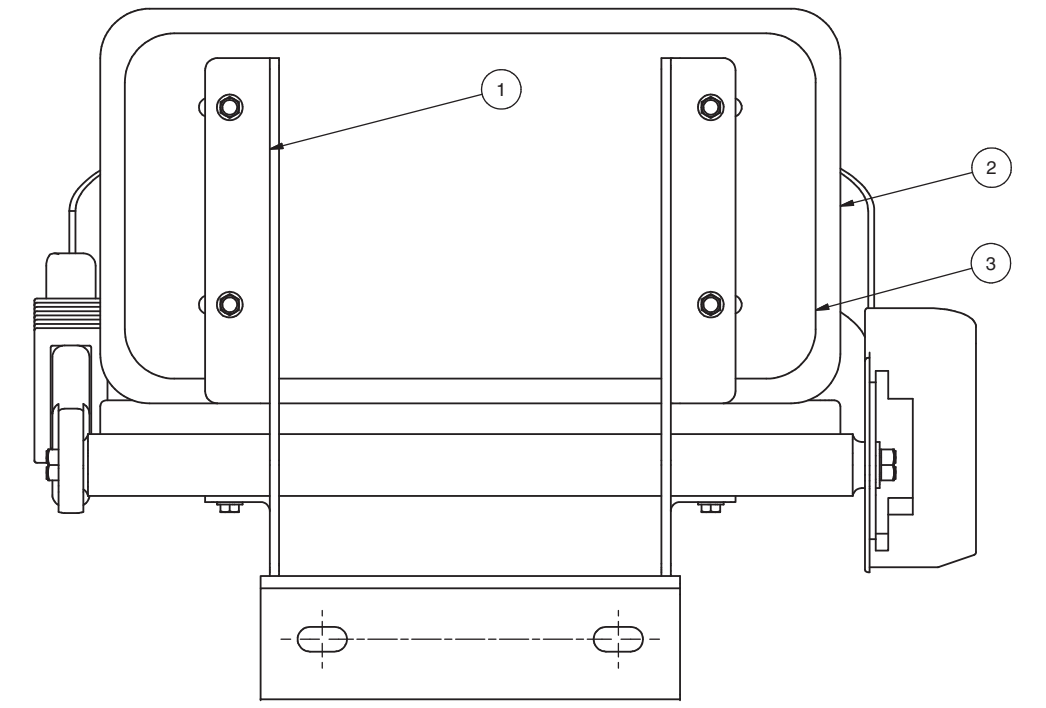
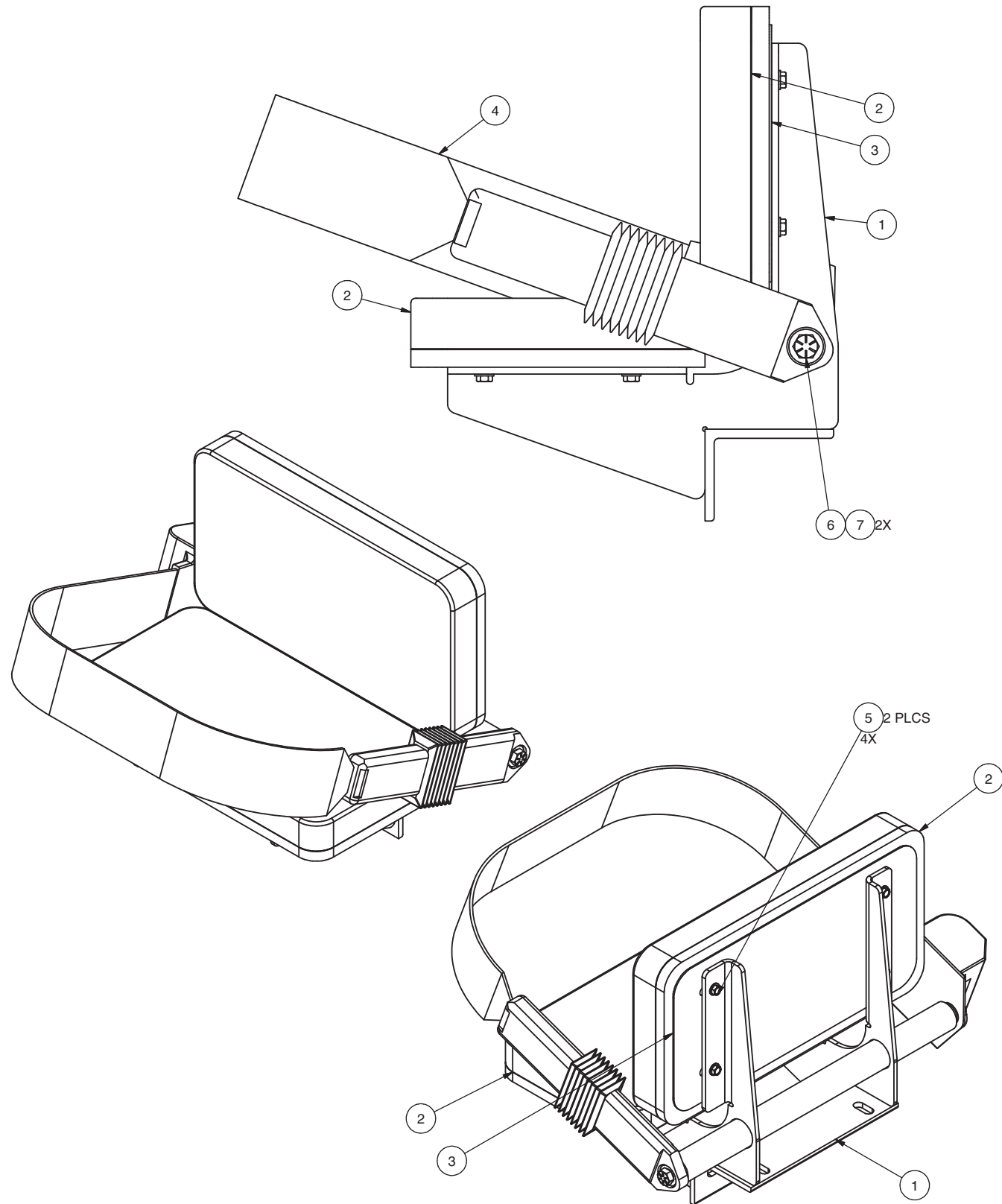


Trainer's Seat Installation



Item	Part No.	Qty	Description
601086			
Trainer's Seat Installation			
1	601087	1	. Seat, Trainers
2	258413	2	. Pad, Seat Back
3	594180	1	. Cover Plate
4	599605	1	. Seat Belt
5	SMS0000217	8	. Screw, Self Tapping
6	223531	2	. Capscrew
7	R13811432	2	. Washer