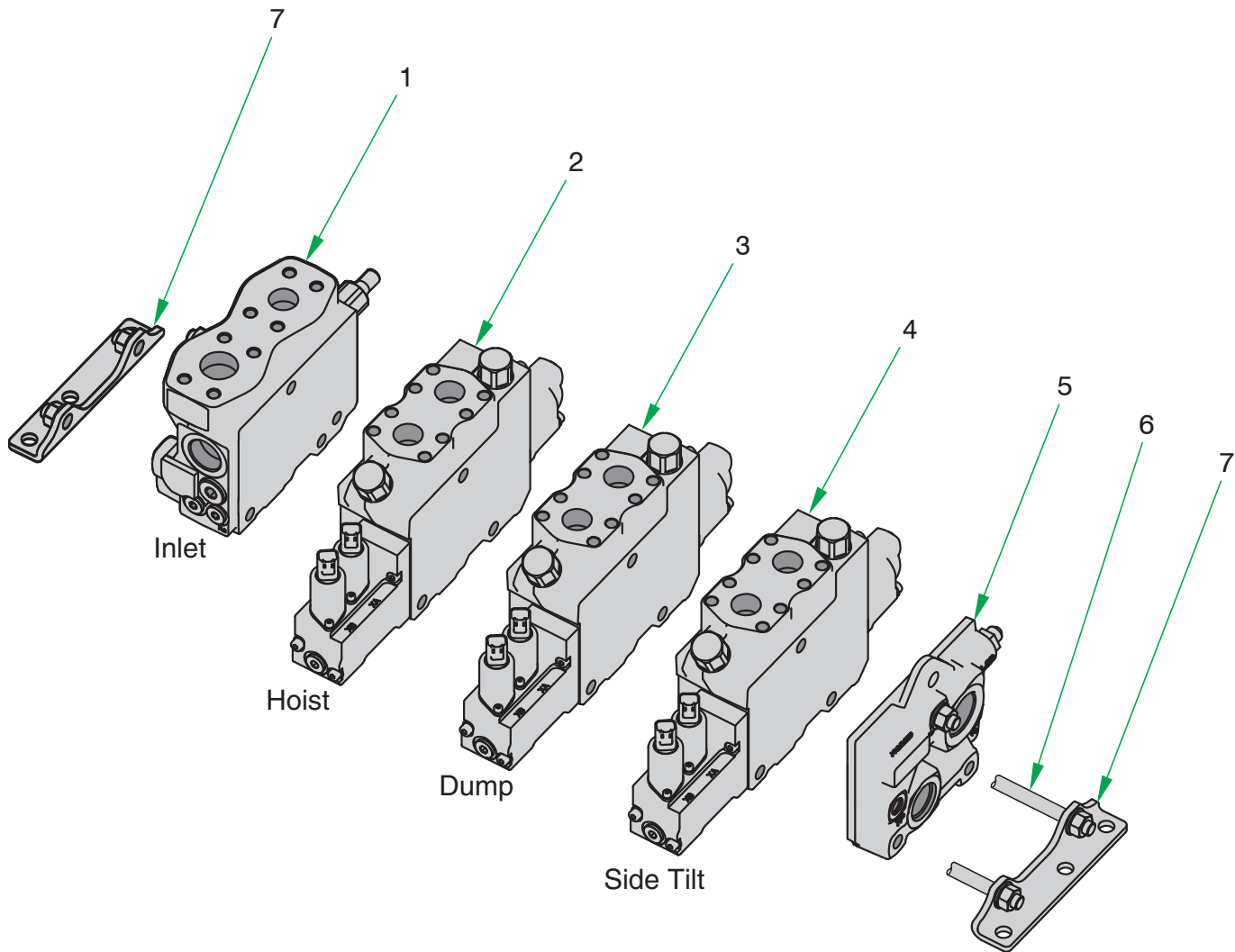
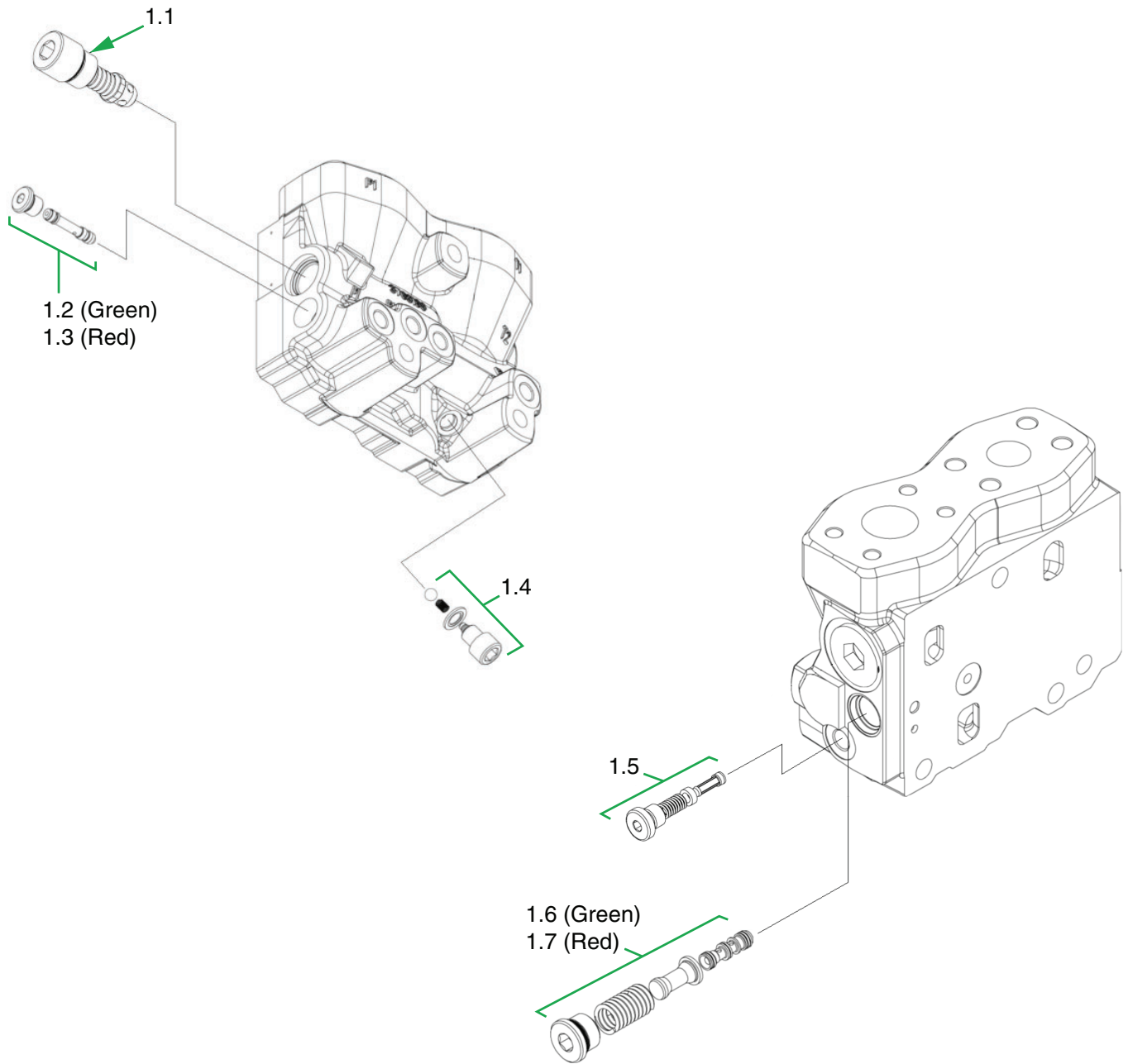

Valve Assembly, Implement

Valve Assembly, Implement



Item	Part No.	Qty	Description	Item	Part No.	Qty	Description
601062 Valve Assembly, Implement							
1	*a 259681	1	. Inlet Section	5	259694	1	. End Section
2	*b 259903	1	. Work Section - Hoist	6	259695	1	. Tie Rod Kit
3	*c 259685	1	. Work Section - Dump	7	599561	2	. Bracket Kit
4	*d 259689	1	. Work Section - Side Tilt				
				*a	See Page 3		
				*b	See Page 4		
				*c	See Page 5		
				*d	See Page 6		

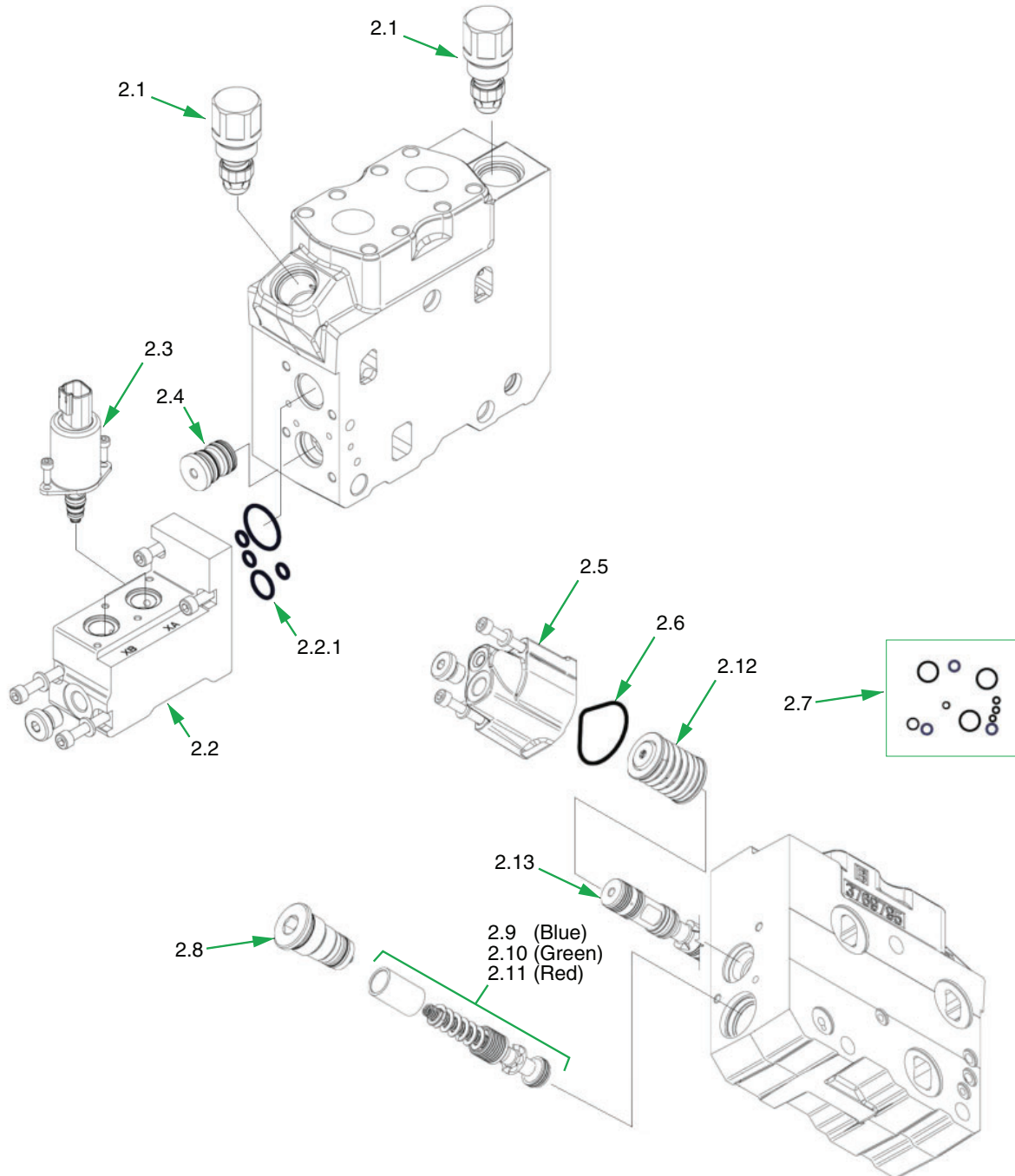
Inlet Section



Item	Part No.	Qty	Description	Item	Part No.	Qty	Description
1	259681	1	Inlet Section				
1.1	259682	1	. Main Relief Valve	1.4	599932	1	. Check Valve Kit
	256604	1	.. Seal Kit	1.5	257431	1	. Internal Pilot Strainer
1.2	*a 599930	1	. Copy Spool Kit (Green)	1.6	*a 599933	1	. Reducing Valve Kit (Green)
	257414	1	.. O-Ring Kit		599934	1	.. Plug Kit
	599931	1	.. Plug Kit	1.7	*a 259684	1	. Reducing Valve Kit (Red)
1.3	*a 259683	1	. Copy Spool Kit (Red)		599934	1	.. Plug Kit
	257414	1	.. O-Ring Kit				
	599931	1	.. Plug Kit				

*a Order the correct size for your valve. See page 7 for details.

Work Section - Hoist

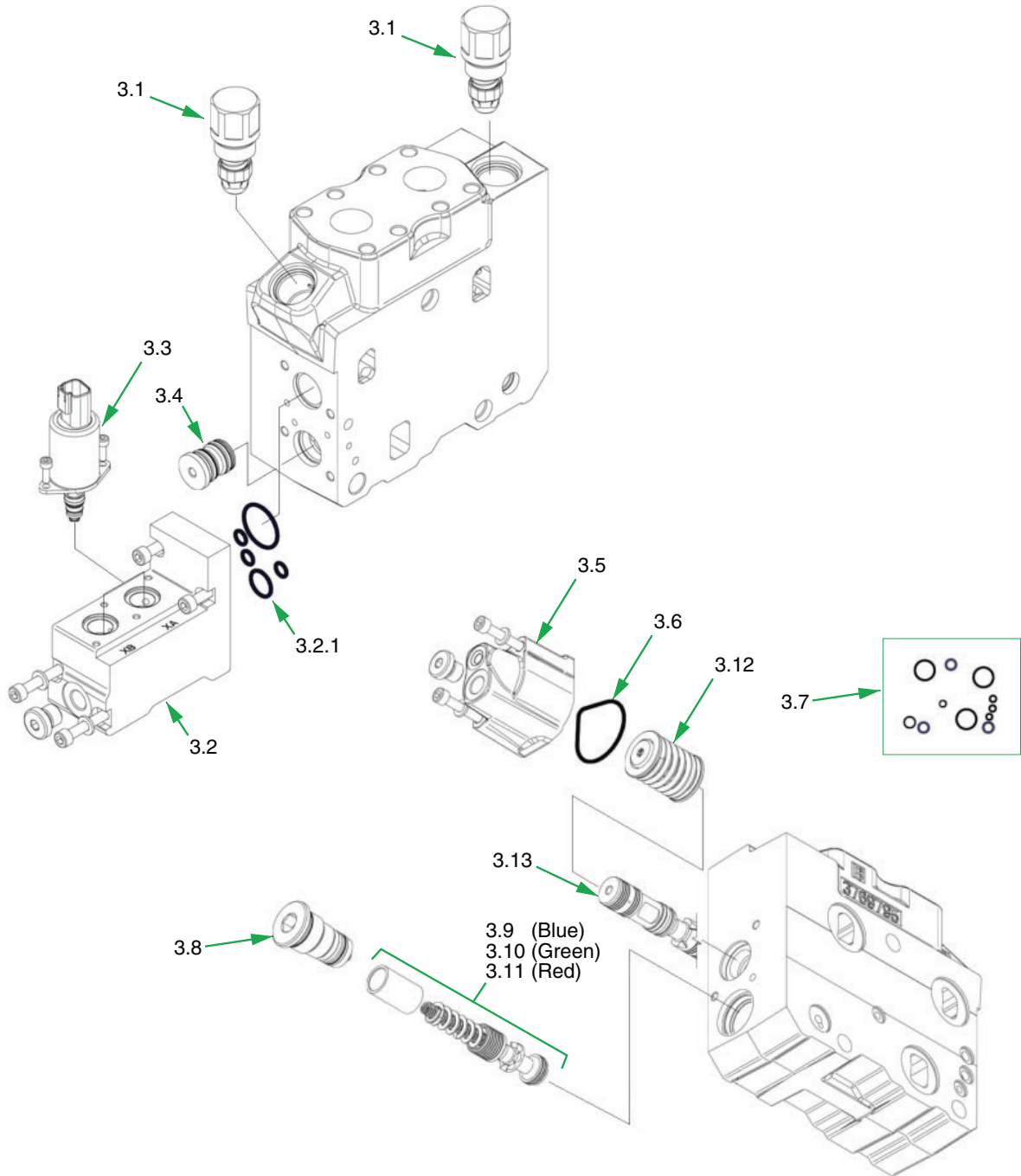


Item	Part No.	Qty	Description	Item	Part No.	Qty	Description
259903 Work Section - Hoist							
2.1	259686	2	. Port Relief Valve	2.8	257410	1	. Compensator Plug, B Side
	256604	1	.. Seal Kit		599941	1	.. Seal Kit
2.2	599936	1	. Cap Kit, A Side	2.9	*a 259687	1	. Compensator Kit (Blue)
2.2.1	599937	1	.. Seal Kit		599943	1	.. Spring Kit
2.3	599944	2	. Solenoid Valve Kit	2.10	*a 599942	1	. Compensator Kit (Green)
	599442	1	.. Seal Kit		599943	1	.. Spring Kit
2.4	599938	1	. Compensator Plug, A Side	2.11	*a 259688	1	. Compensator Kit (Red)
	599939	1	.. Seal Kit		599943	1	.. Spring Kit
2.5	257404	1	. Cap Kit, B Side	2.12	259362	1	. Spring Kit
2.6	599940	1	. Seal Kit	2.13	NSS	1	. Spool
2.7	256603	1	. Intersection Seal Kit				

NSS Not Sold Separately

*a Order the correct size for your valve. See page 7 for details

Work Section - Dump

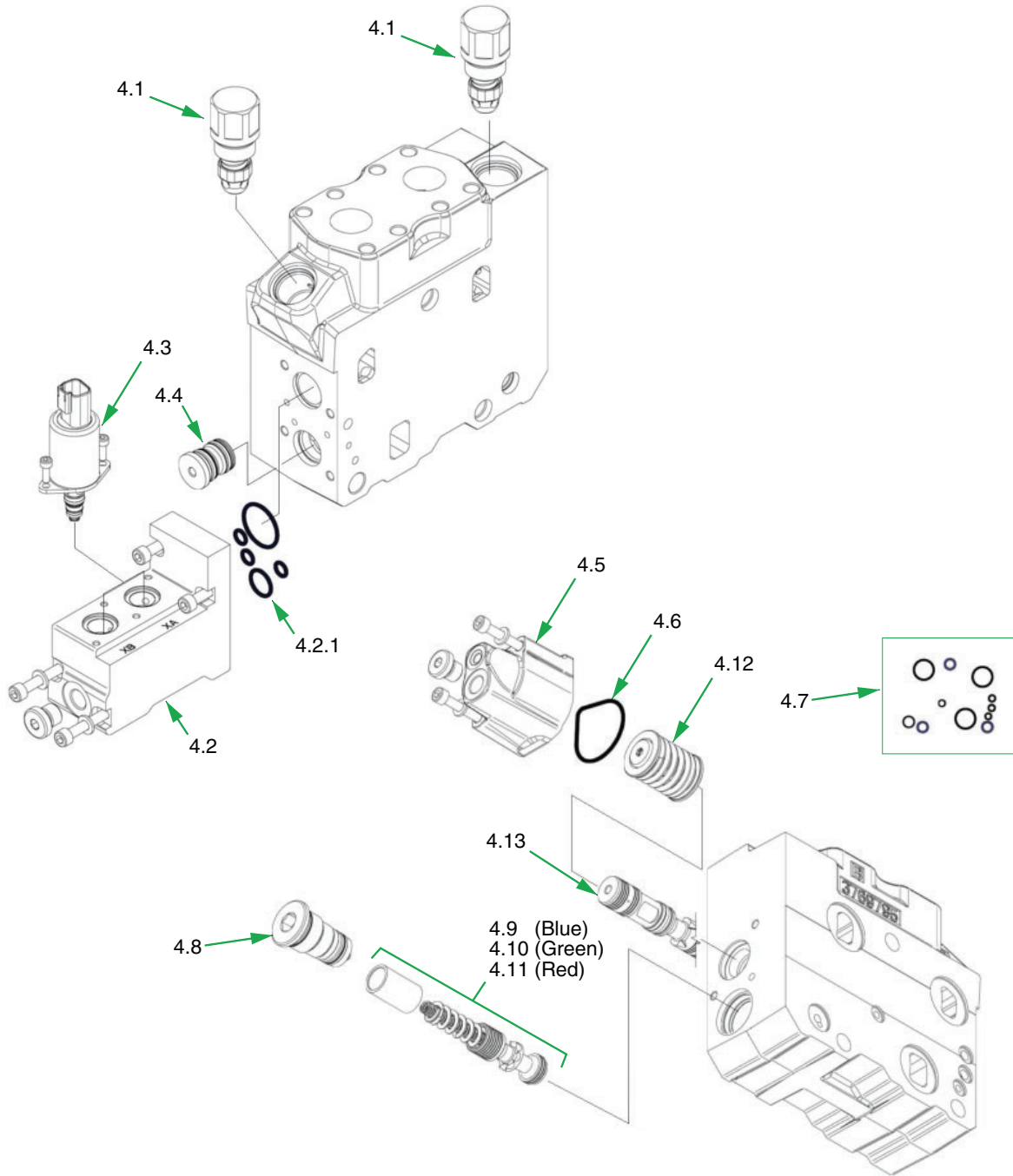


Item	Part No.	Qty	Description	Item	Part No.	Qty	Description
259685 Work Section - Dump							
3.1	259686	2	. Port Relief Valve	3.8	257410	1	. Compensator Plug, B Side
	256604	1	.. Seal Kit		599941	1	.. Seal Kit
3.2	599936	1	. Cap Kit, A Side	3.9	*a 259687	1	. Compensator Kit (Blue)
3.2.1	599937	1	.. Seal Kit		599943	1	.. Spring Kit
3.3	599944	2	. Solenoid Valve Kit	3.10	*a 599942	1	. Compensator Kit (Green)
	599442	1	.. Seal Kit		599943	1	.. Spring Kit
3.4	599938	1	. Compensator Plug, A Side	3.11	*a 259688	1	. Compensator Kit (Red)
	599939	1	.. Seal Kit		599943	1	.. Spring Kit
3.5	257404	1	. Cap Kit, B Side	3.12	259362	1	. Spring Kit
3.6	599940	1	. Seal Kit	3.13	NSS	1	. Spool
3.7	256603	1	. Intersection Seal Kit				

NSS Not Sold Separately

*a Order the correct size for your valve. See page 7 for details

Work Section - Side Tilt

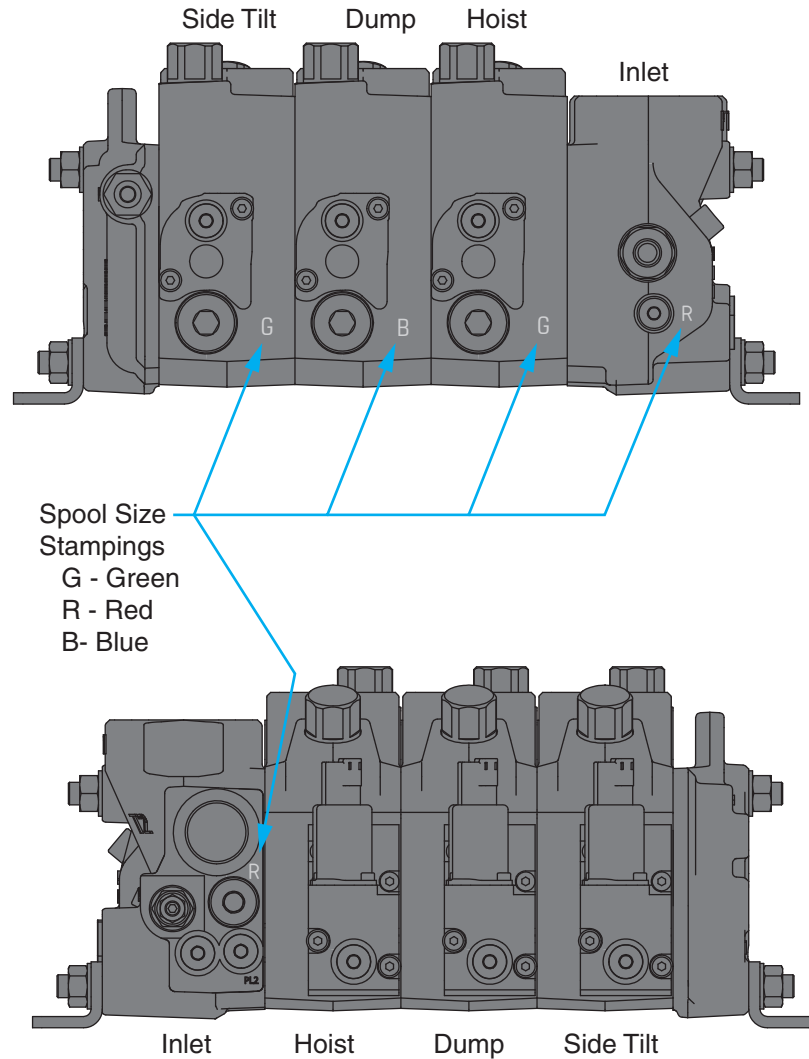


Item	Part No.	Qty	Description	Item	Part No.	Qty	Description
259689 Work Section - Side Tilt							
4.1	259686	2	. Port Relief Valve	4.8	257410	1	. Compensator Plug, B Side
	256604	1	.. Seal Kit		599941	1	.. Seal Kit
4.2	599936	1	. Cap Kit, A Side	4.9	*a 259690	1	. Compensator Kit (Blue)
4.2.1	599937	1	.. Seal Kit		259693	1	.. Spring Kit
4.3	599944	2	. Solenoid Valve Kit	4.10	*a 259691	1	. Compensator Kit (Green)
	599442	1	.. Seal Kit		259693	1	.. Spring Kit
4.4	599938	1	. Compensator Plug, A Side	4.11	*a 259692	1	. Compensator Kit (Red)
	599939	1	.. Seal Kit		259693	1	.. Spring Kit
4.5	257404	1	. Cap Kit, B Side	4.12	259362	1	. Spring Kit
4.6	599940	1	. Seal Kit	4.13	NSS	1	. Spool
4.7	256603	1	. Intersection Seal Kit				

NSS Not Sold Separately

*a Order the correct size for your valve. See page 7 for details

Spool Sizes



Spools are color coded to ensure correct radial clearance between spool and spool bore. We recommend that you replace an entire valve section if the spool needs to be replaced. If you do replace just the spool, it is extremely important that the new spool is the right size.

See above. The inlet section has two stamps, and each work section has one. Refer to the stamp to know which "color" of spool to order.