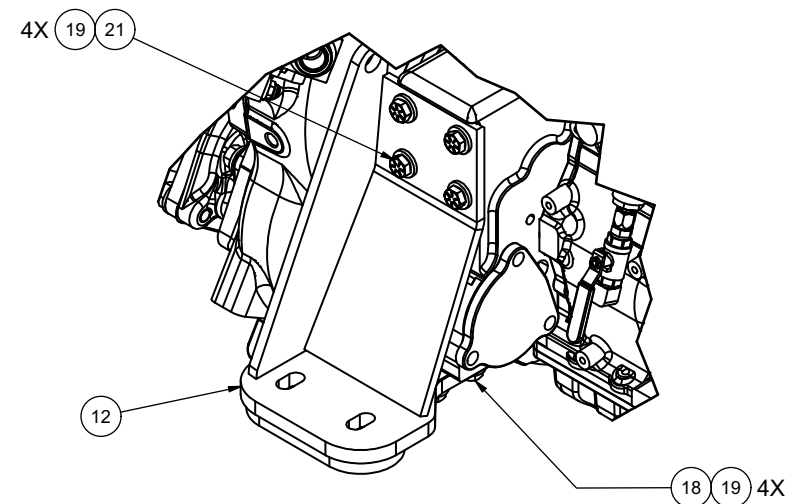
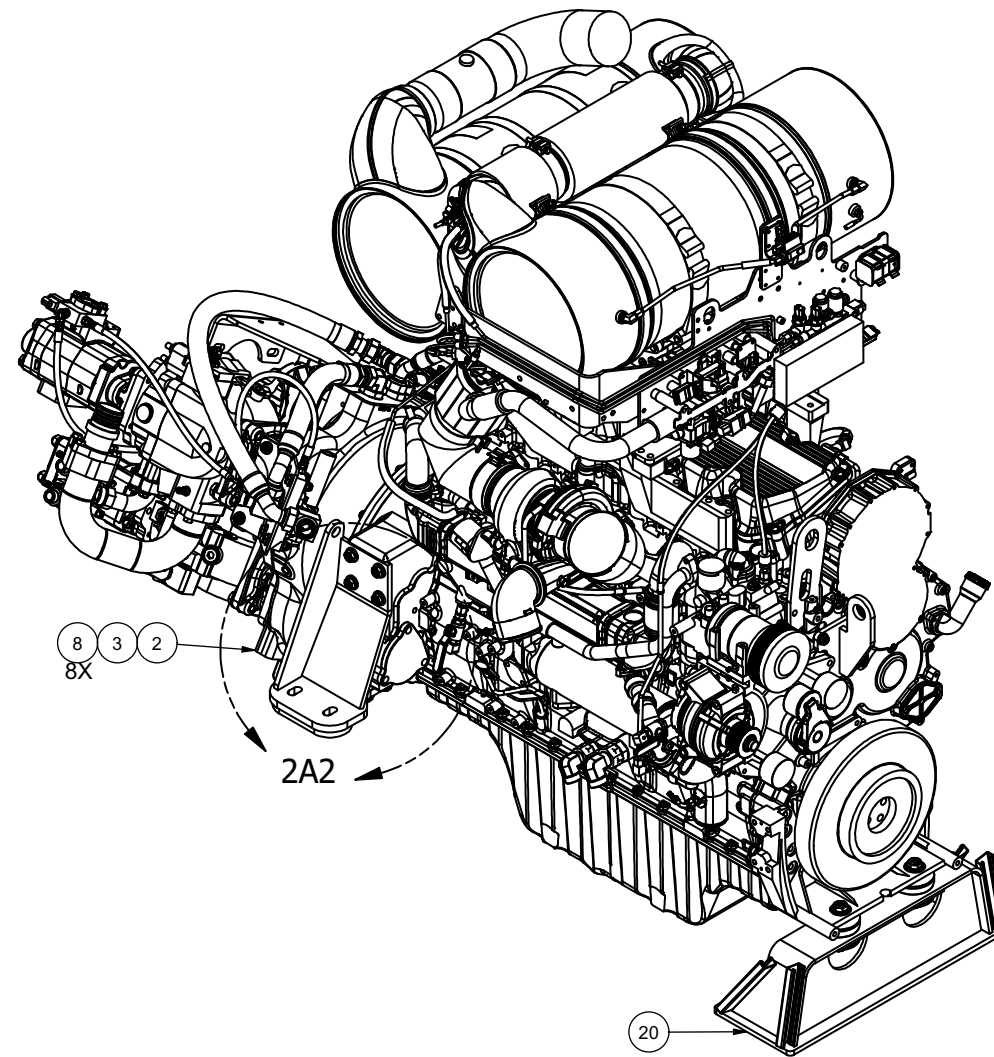

Power Unit Assembly

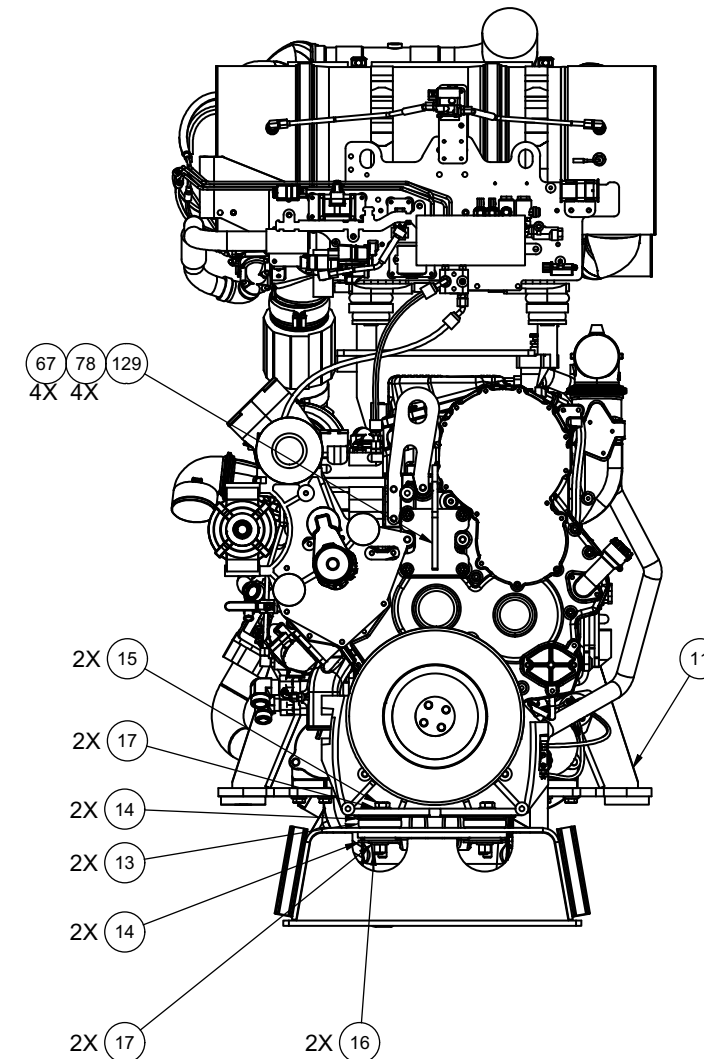
Power Unit Assembly

Item	Part No.	Qty	Description	Item	Part No.	Qty	Description
	601052		Power Unit Assembly				
1	*a 601053	1	. Engine	74	203519	2	. O-Ring
2	*a 603772	1	. Converter	75	209538	2	. Clamp Half
3	*a 257100	1	. Kit, Flexplate	76	R13801850	4	. Capscrew
4	597830	2	. Pump	77	505499	3	. Gasket
5	597831	1	. Pump	78	221569W	16	. Capscrew
6	600282	1	. Pump, Gear Tandem	81	Y17C-1232	12	. Capscrew
7	597832	1	. Pump, Gear Tandem	82	252864	4	. Capscrew
8	586910	8	. Capscrew	83	302402W	5	. Locknut
11	600245	1	. Engine Mount, RH	84	R13811059	12	. Capscrew
12	600246	1	. Engine Mount, LH	85	598213	3	. Gasket, Pump
13	234497	2	. Vibration Dampener	86	598120	1	. Plate, Mount
14	578361	4	. Washer	87	211560	2	. Fitting
15	Y17C-1272	2	. Capscrew	88	231412	2	. Ball Valve
16	R13811196	2	. Locknut	89	214478	1	. Fitting
17	221777W	16	. Washer	91	22387	1	. Fitting
18	Y17C-1036	8	. Capscrew	92	237012	2	. Fitting
19	234271	16	. Washer	93	00140807	1	. Nipple, Pipe
20	600240	1	. Front Engine Mount	94	236805	2	. Capscrew
21	Y17C-1028	8	. Capscrew	95	26348	2	. Fitting
23	293646W	1	. Capscrew	110	598153	2	. Transducer
24	*a 228640	1	. Regulator, Converter Bypass	112	598178	1	. Fitting
25	598119	1	. Plate, Mount	113	598179	1	. Fitting
26	600284	1	. Plate, Breather Mount	114	598181	1	. Fitting
27	212492	1	. Cover	115	*b 134328W	4	. Capscrew
28	R233598	1	. Breather, 1-Way	116	221563W	2	. Capscrew
29	222155	1	. Fitting	118	221499W	4	. Capscrew
30	R13808111	1	. Clip, Insulated	119	209504	1	. Fitting
31	587673	1	. Coupler, Diagnostic	120	251424	1	. Sensor, Temp
32	598180	2	. Fitting	121	*b 2310430	0	. Cartridge, Valve
33	598855	1	. Fitting		2313921	0	. . Coil
34	598182	1	. Fitting		R15668	0	. . Seal Kit
35	R833251	3	. Fitting	122	*b 600713	0	. Manifold
36	234192	1	. Fitting	123	*b 209501	0	. Fitting
37	R833133	1	. Fitting	124	*b 233709	0	. Fitting
38	598034	1	. Fitting	125	*b 209536	2	. Clamp Half
39	225566	1	. Fitting	126	224774	1	. Fitting
40	13528	1	. Fitting	127	231439	3	. Fitting
41	209533	1	. Fitting	128	*b 235387	0	. Fitting
42	252365	1	. Fitting	129	601616	1	. Plate, Lifting Eye
43	R13811432	16	. Washer	130	209069	1	. Fitting
44	211705	2	. Fitting	131	605500	1	. Fitting
45	23390	4	. Kit, Split Flange	132	605501	1	. Fitting
	203523	1	. . O-Ring	133	229301	1	. Relay
	209539	2	. . Clamp Half	134	606211	1	. Plate, Bracket
46	R833281	1	. Fitting	135	93639	2	. Terminal, Ring
47	598123	1	. Pipe	136	203341	1	. Terminal, Ring
48	223929	1	. Fitting	137	200249	1	. Terminal, Ring
49	237329	1	. Fitting	138	200247	1	. Terminal, Ring
50	243149	1	. Fitting	139	599654-068	A/R	. Wire
51	602989	1	. Fitting	140	599654-012	A/R	. Wire
52	598124	2	. Fitting	141	587019	A/R	. Loom, Wire
53	R14040	6	. Coupler, Male	142	221763W	4	. Washer
54	218815	1	. Fitting	143	15113W	2	. Locknut
55	231826	3	. Fitting	144	224120W	2	. Capscrew
57	598125	2	. Manifold, Gauge	145	162572W	2	. Capscrew
58	203443	4	. O-Ring	146	228776	1	. Terminal Ring
59	209535	4	. Clamp Half	199	601054	1	. Kit, Hose
60	221767W	16	. Washer	199.1	598126	1	. . Hose Assembly
61	180959W	8	. Capscrew	199.2	598127	1	. . Hose Assembly
62	598183	2	. Check Valve	199.3	598128	1	. . Hose Assembly
63	604787	2	. Plate, Seal	199.4	600286	1	. . Hose Assembly
64	605413	2	. Fitting	199.6*b	592811	0	. . Hose Assembly
65	225328	4	. Clamp Half	199.7*b	600715	0	. . Hose Assembly
66	203446	3	. O-Ring				
67	221771W	40	. Washer				
68	R13811084	8	. Capscrew				
69	210769	1	. Fitting				
70	600288	1	. Fitting				
71	209512	1	. Fitting				
72	600287	1	. Fitting				
73	252712	1	. Spacer, O-Ring				

*a See Separate Coverage
*b These items are not applicable.

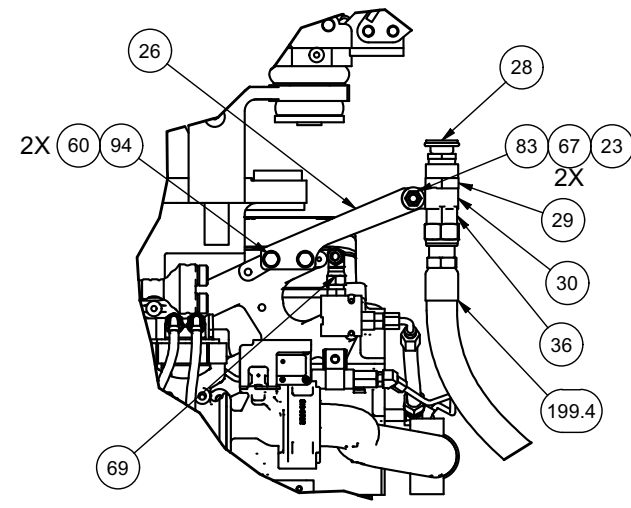


DETAIL 2A2
TYP BOTH SIDES

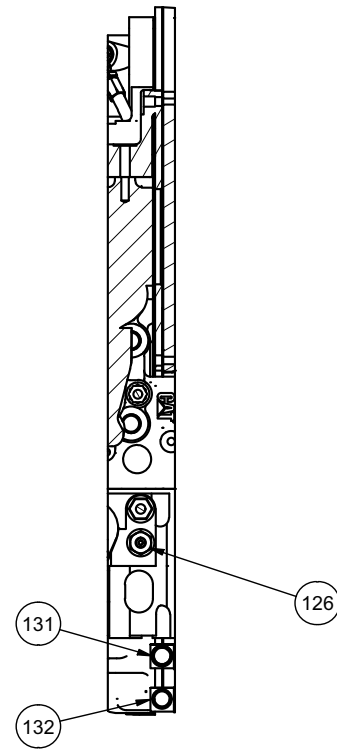


NOTES:

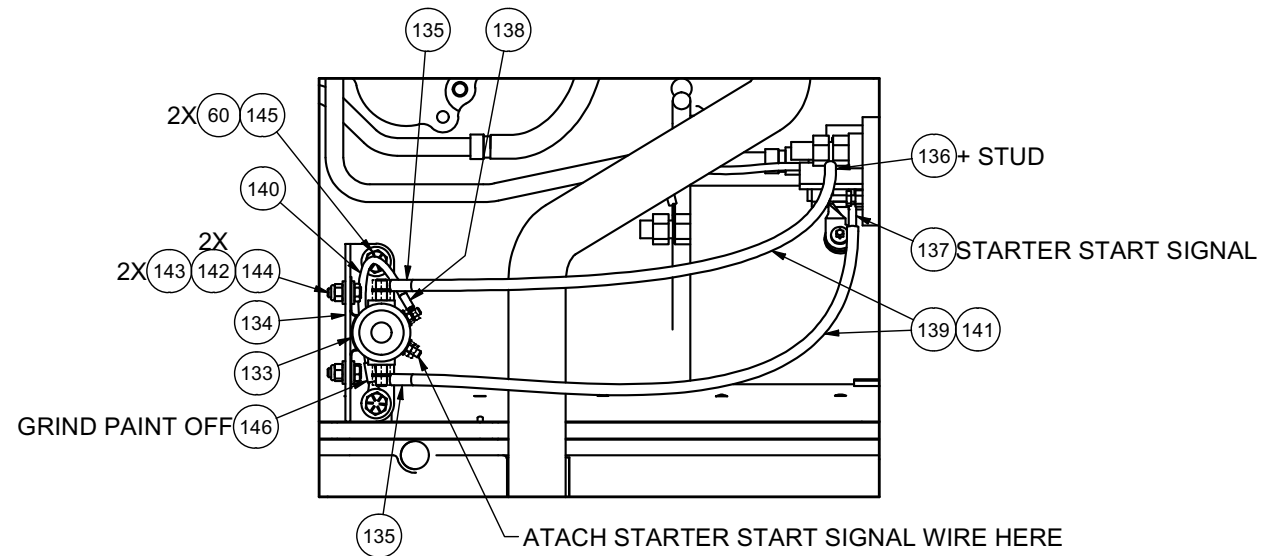
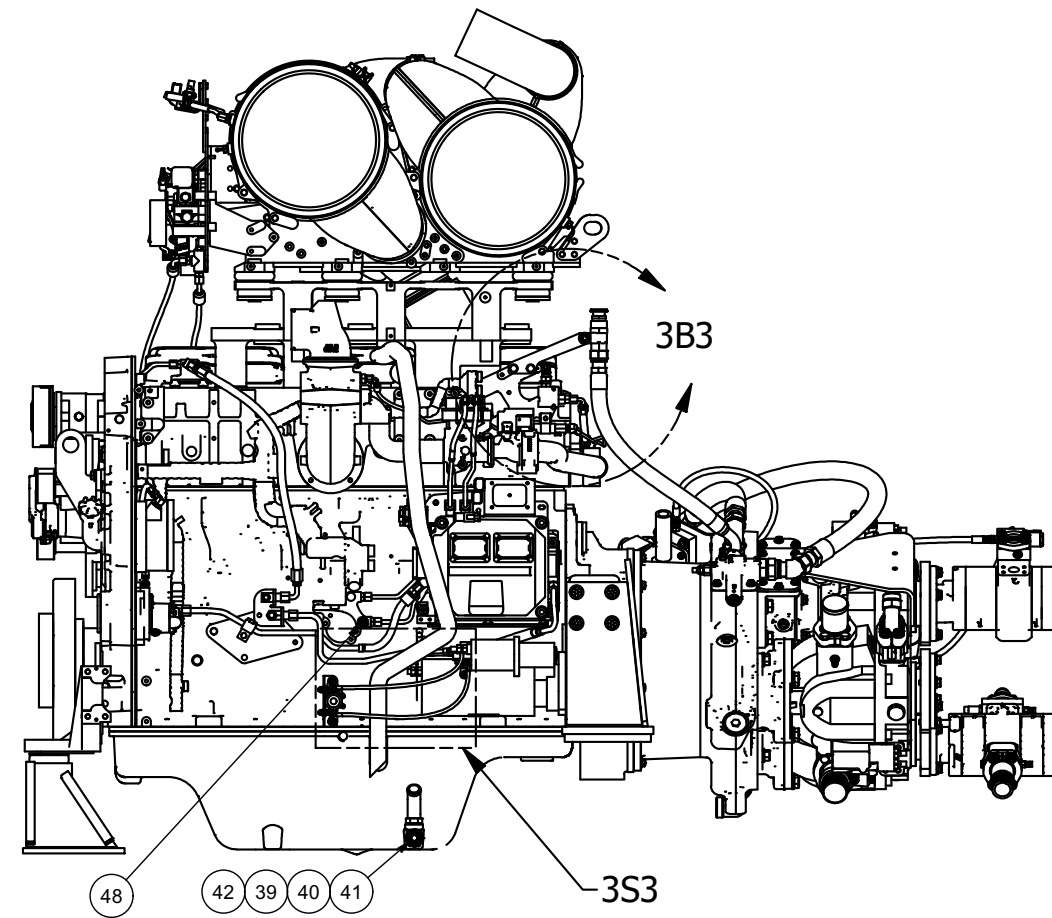
- 1 CHECK VALVE MUST BE INSTALLED IN THE ORIENTATION THAT ALLOWS FLOW OUT OF THE OUTLET PORT OF THE RH AND LH IMPLEMENT PUMPS. ORIENT CHECK VALVE WITH CAPSCREWS ON THE FLATS AS SHOWN
2. PLUG ALL HYDRAULIC PORTS THAT ARE OPEN TO THE ENVIRONMENT TO PREVENT CONTAMINATION IN THE HYDRAULIC SYSTEM.
3. REMOTE FILTER COMPONENTS WILL BE INSTALLED AT THE POWER UNIT INSTALLATION LEVEL.
- 4 USE LOCTITE 515 (ASC P/N 244260) TO P3 PUMP SIDE OF GASKET



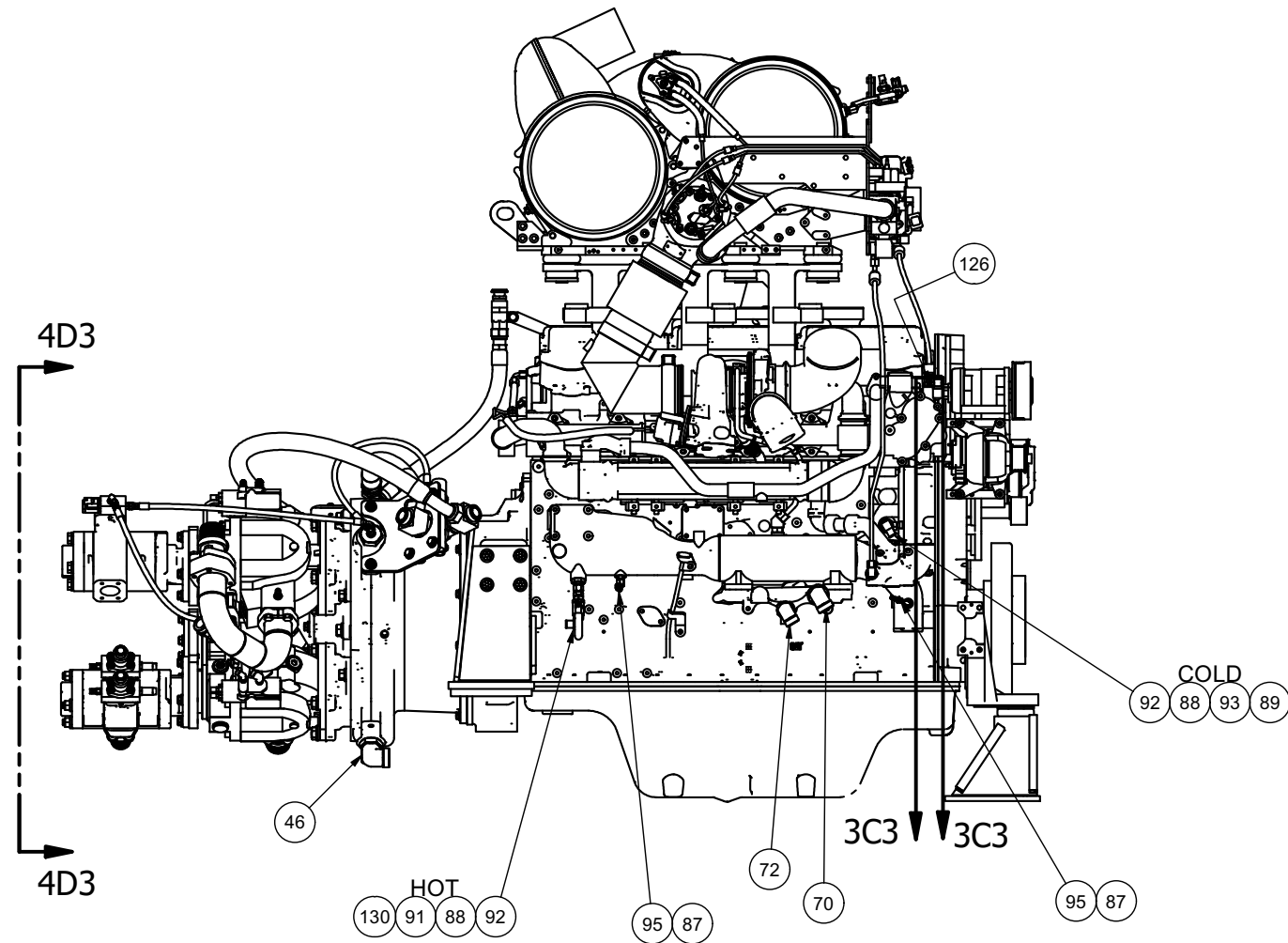
**DETAIL 3B3
CONVERTER BREATHER**

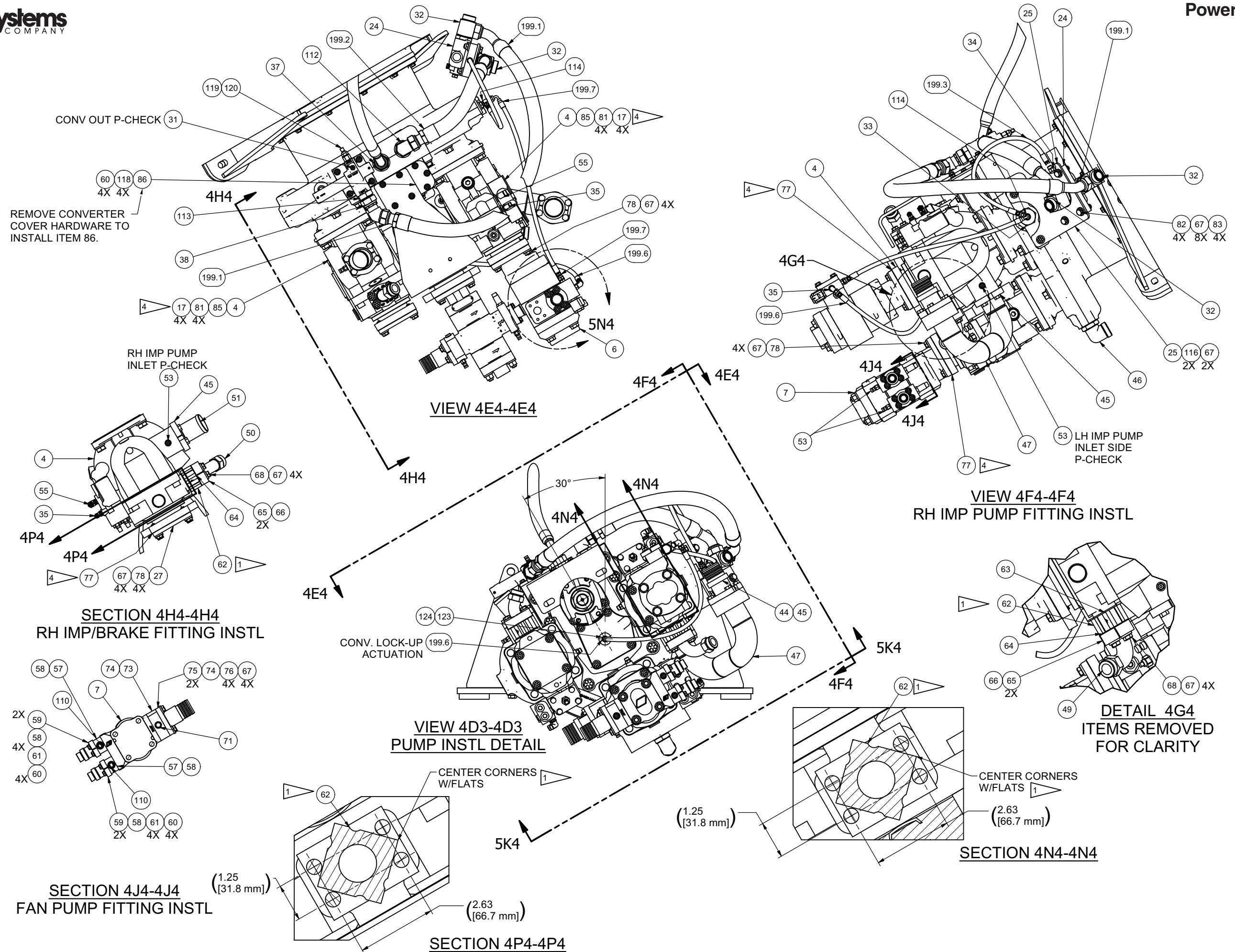


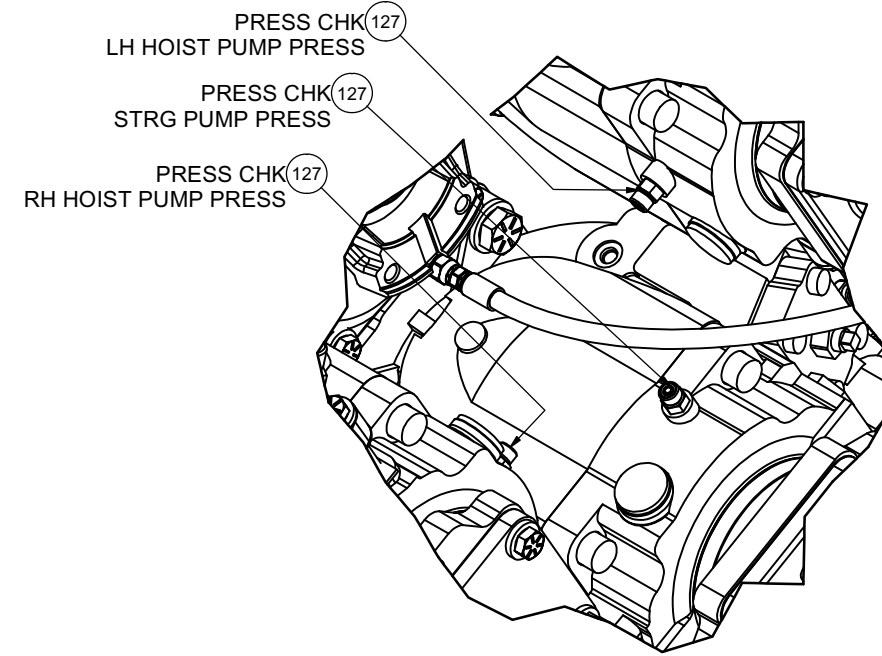
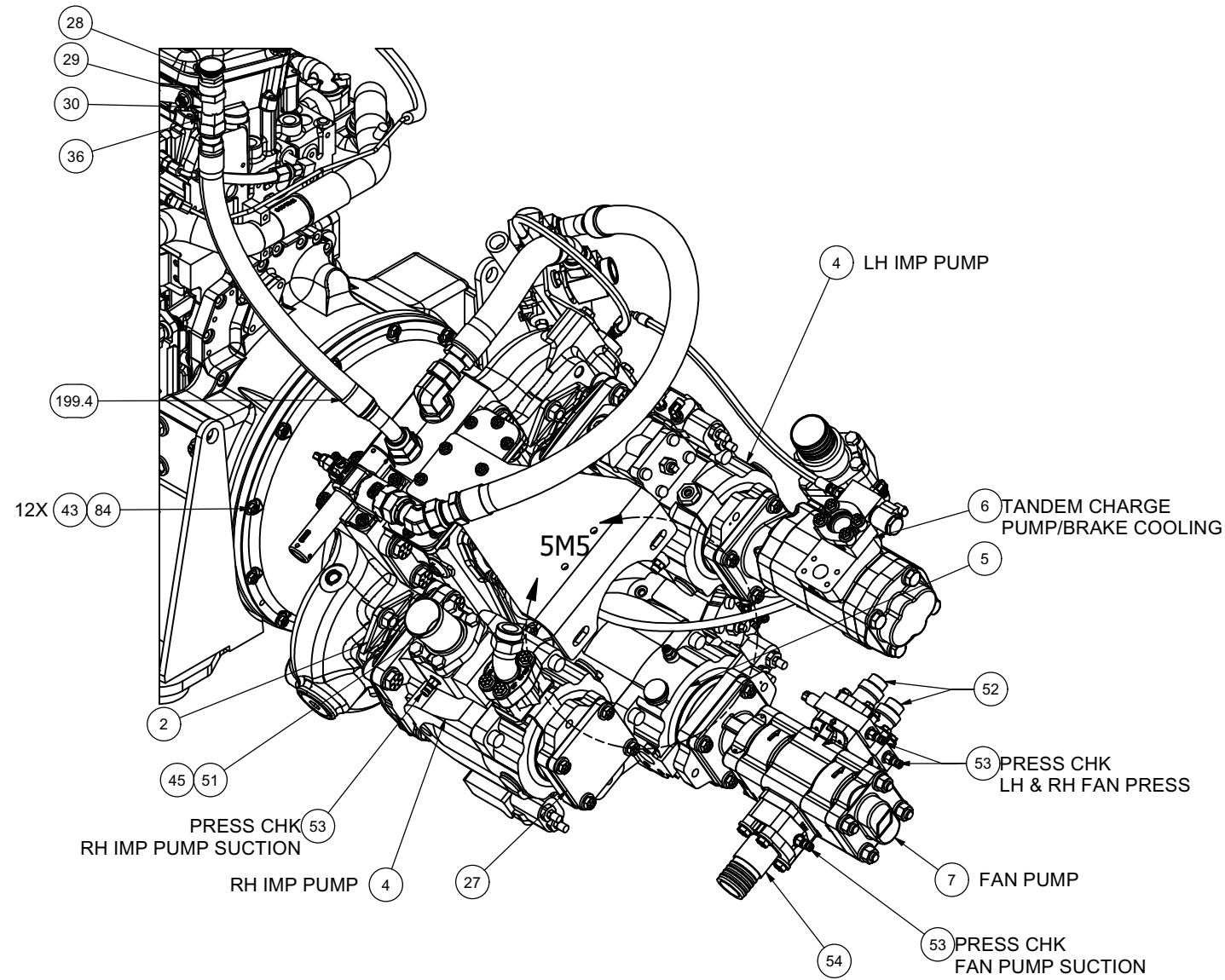
**SECTION 3C3-3C3
ENGINE COOLANT VENT**



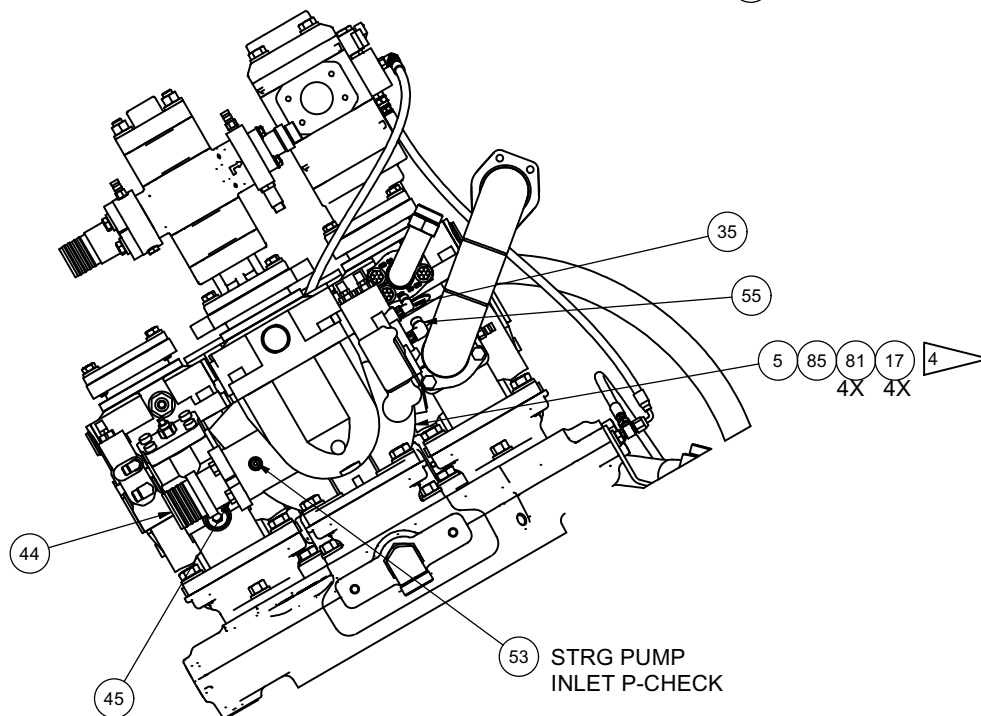
**DETAIL 3S3
STARTER RELAY**



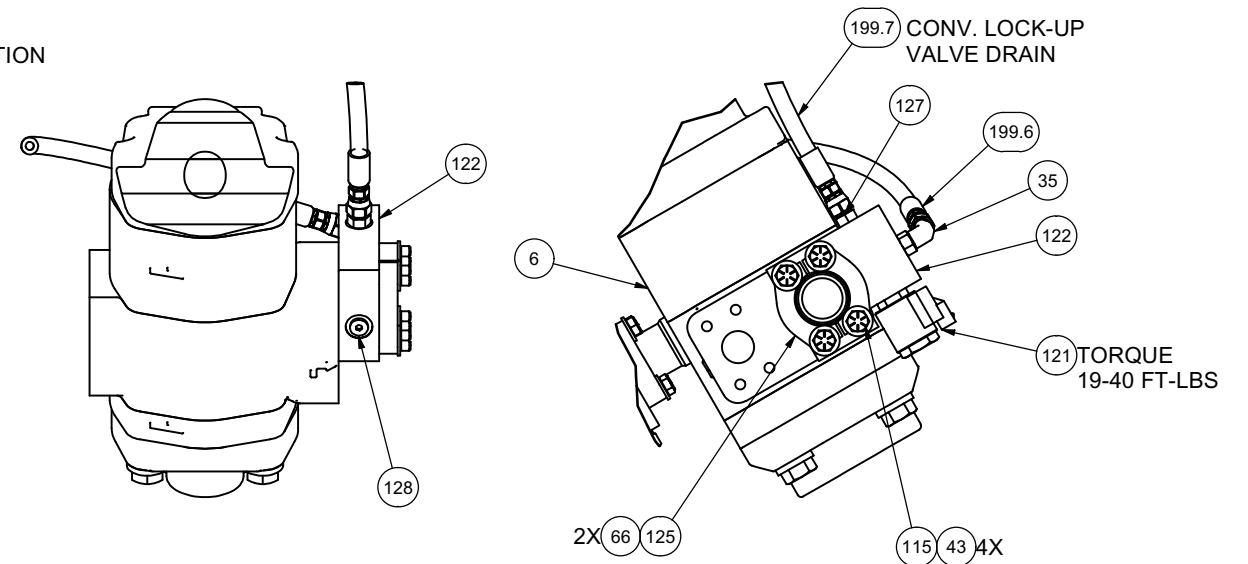




DETAIL 5M5
SOME PARTS REMOVED FOR CLARITY



SECTION 5K4-5K4
STRG PUMP FITTING INSTL



DETAIL 5N4
CONV. LOCK-UP MANIFOLD
SPLIT FLANGE ONLY W/O LOCK-UP