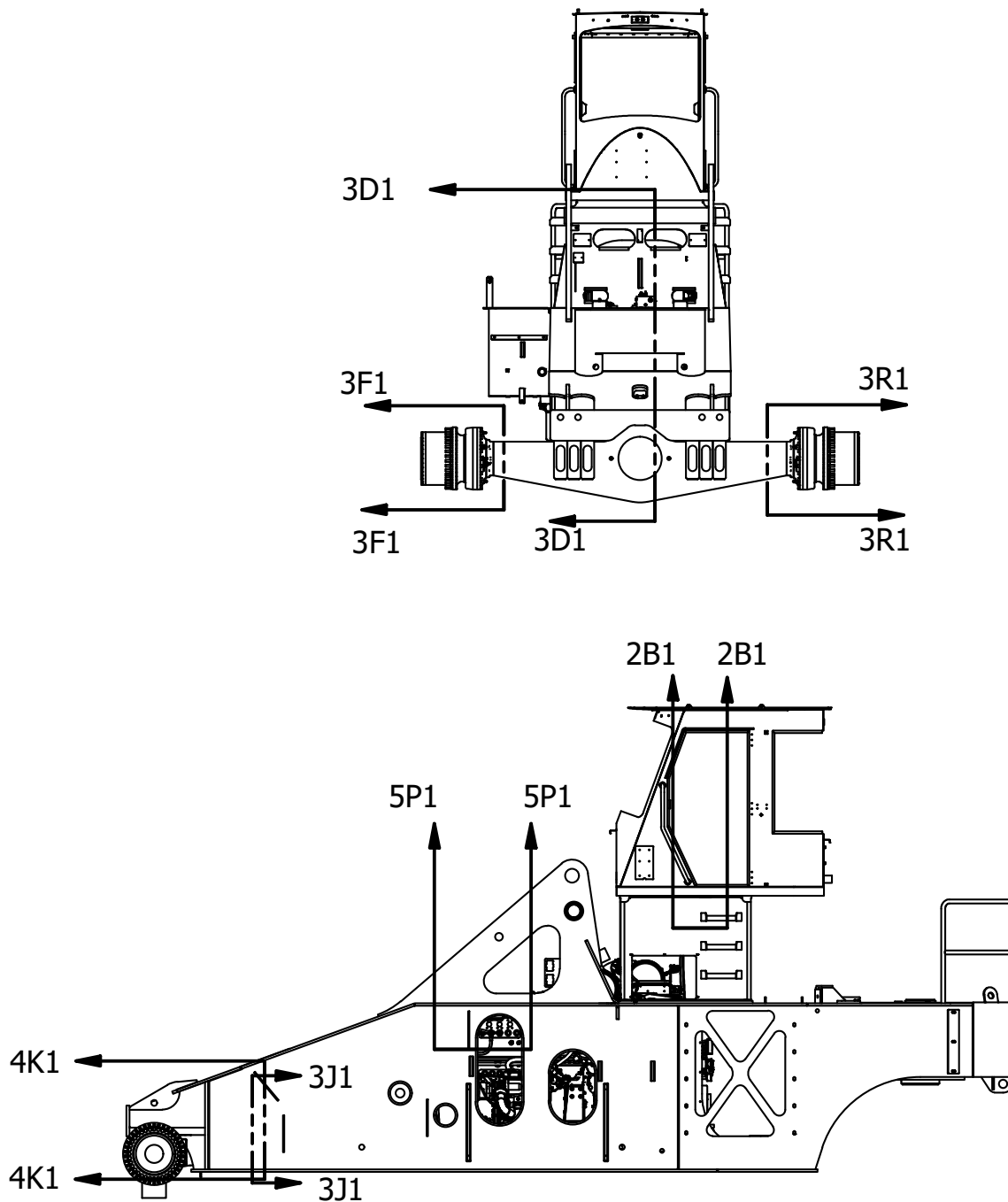

Hydraulic System - Brakes

Hydraulic System - Brakes

Item	Part No.	Qty	Description	Item	Part No.	Qty	Description
	600992		Hydraulic System - Brakes				
1	* 251610	1	. Valve, Accum Charge	56	Y19C-M1016	4	. Capscrew
	251340	1	. . Repair Kit	57	221771W	6	. Washer
2	* 590154	3	. Accumulator	58	Y18C-0820	6	. Capscrew
3	* 593675	2	. Valve, Brake Relay	59	221767W	6	. Washer
4	600306	1	. Head Assembly, Filter	60	R13811034	6	. Capscrew
5	247429	1	. Element, Filter	61	302401W	1	. Locknut
6	* 598056	1	. Assembly, Manifold	62	293631W	1	. Capscrew
7	601569	2	. Fitting	63	242588	62	. Cable Tie
8	601571	2	. Fitting	64	18522	1	. Fitting
9	601570	2	. Fitting	65	251424	1	. Sensor, Temp
10	601574	1	. Fitting	66	13528	1	. Fitting
11	601572	1	. Fitting	67	206289	1	. Hose Clamp
12	601573	1	. Fitting	68	R833806	1	. Fitting
13	R14040	3	. Coupler, Male	69	-----	0	. Not Used
14	R834703	1	. Fitting	70	-----	0	. Not Used
15	R834103	2	. Fitting	71	-----	0	. Not Used
16	598084	1	. Fitting	72	-----	0	. Not Used
17	R834655	2	. Fitting	73	-----	0	. Not Used
18	600309	2	. Fitting	74	604762	1	. Valve
19	R13959	2	. Fitting		254539	1	. . Seal Kit
20	235314	2	. Fitting		260883	1	. . Coil, 12V
21	R833270	3	. Fitting	75	229347	1	. Fitting
22	231441	4	. Fitting	76	245273	1	. Valve Body
23	231452	5	. Fitting	77	592699	1	. Fitting
24	231439	1	. Fitting	78	R833103	1	. Fitting
25	R833206	2	. Fitting	99	601798	1	. Kit, Hose
26	R833261	5	. Fitting	99.1	049-2392	1	. . Hose Assembly
27	R833133	1	. Fitting	99.2	77573	1	. . Hose
28	509197	1	. Fitting	99.3	600461	1	. . Hose Assembly
29	R833207	1	. Fitting	99.4	601799	1	. . Hose Assembly
30	R833251	2	. Fitting	99.5	601800	1	. . Hose Assembly
31	R833253	2	. Fitting	99.6	237953	1	. . Hose Assembly
32	R833112	2	. Fitting	99.7	600466	1	. . Hose Assembly
33	227467	1	. Fitting	99.8	76733	1	. . Hose Assembly
34	231466	1	. Fitting	99.9	601801	1	. . Hose Assembly
35	R834052	1	. Fitting	99.10	600464	1	. . Hose Assembly
36	598086	1	. Fitting	99.11	599848	1	. . Hose Assembly
37	598153	1	. Transducer	99.12	597355	1	. . Hose Assembly
38	212762	2	. Fitting	99.13	235538	1	. . Hose Assembly
39	229345	1	. Fitting	99.14	600467	1	. . Hose Assembly
40	600553	1	. Fitting	99.15	R12203	1	. . Hose Assembly
41	598053	1	. Bracket	99.16	237964	1	. . Hose Assembly
42	598004	1	. Bracket	99.17	242120	1	. . Hose Assembly
43	597332	3	. Clamp, Hydra-Zorb	99.18	235534	1	. . Hose Assembly
44	231251	2	. Clamp	99.19	242271	1	. . Hose Assembly
45	11759	1	. Kit, Split Flange	99.20	237963	1	. . Hose Assembly
	203443	1	. . O-Ring	99.21	243178	1	. . Hose Assembly
46	CLP0100175	13	. Clamp, Hydra-Zorb	99.22	600457	1	. . Hose Assembly
47	CLP0100112	12	. Clamp, Hydra-Zorb	99.23	600458	3	. . Hose Assembly
48	231296	18	. Clamp	99.24	601802	1	. . Hose Assembly
49	R13808097	2	. Clip, Insulated	99.25	601803	1	. . Hose Assembly
50	209578	1	. Clamp	99.26	2316397	2	. . Hose Assembly
51	296418W	1	. Washer	99.27	600477	2	. . Hose Assembly
52	Y23C-M08100	2	. Capscrew	99.28	2314898-124	1	. . Fire Sleeve
53	R13802914	4	. Washer	99.29	-----	0	. . Not Used
54	R13811014	4	. Capscrew	99.30	-----	0	. . Not Used
55	296420W	6	. Washer	99.31	249485	1	. . Hose Assembly

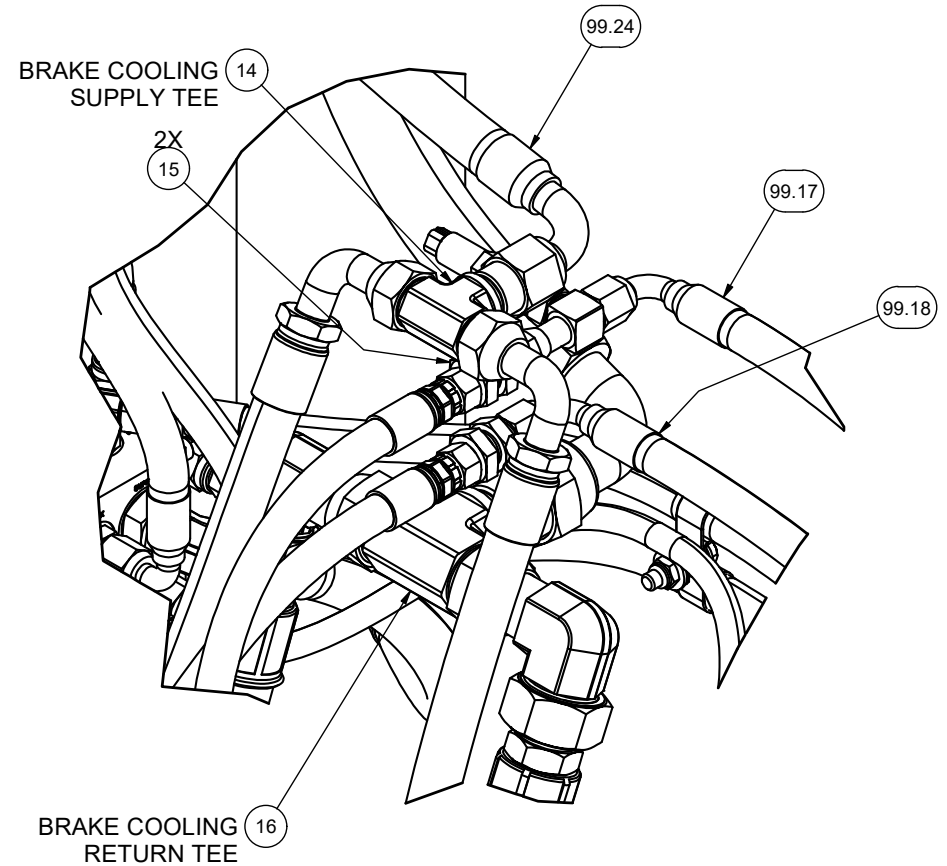
* See Separate Coverage

Hydraulic System - Brakes

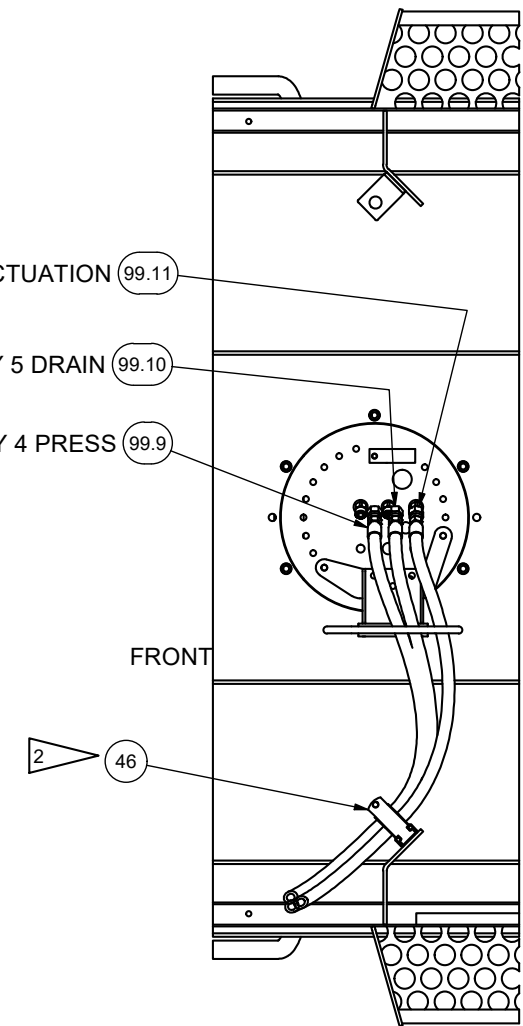
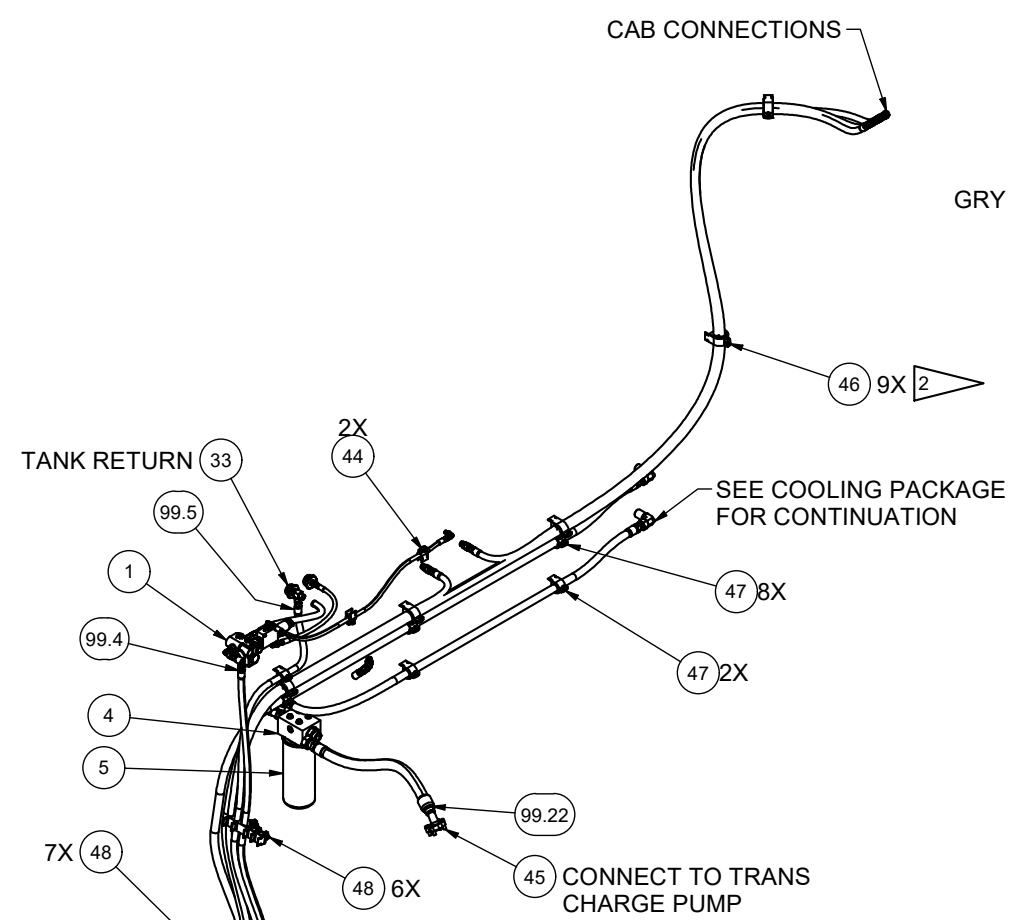


2. ITEMS 67 AND 99.28 ARE NOT SHOWN. THESE ITEMS ARE USED TO BUNDLE THE THREE BRAKE LINES UNDER THE CAB. SLEEVE THE HOSES AND SECURE THE FIRE SLEEVE IN LAST HYDRA-ZORB CLAMP BEFORE HYDRUALIC TANK. USE CLAMP ITEM 75 TO SECURE UPPER END OF THE FIRE SLEEVE UNDER CAB SUCH THAT THE FIRE SLEEVE DOES NOT SLIP DOWN THE HOSES.

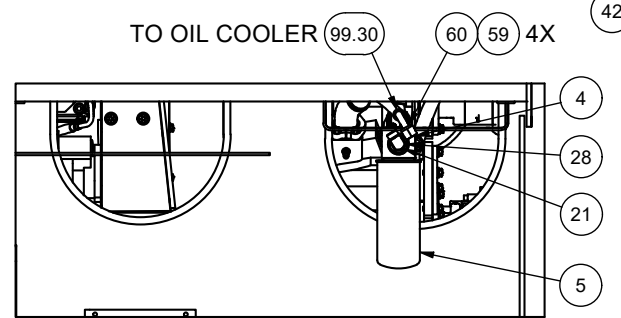
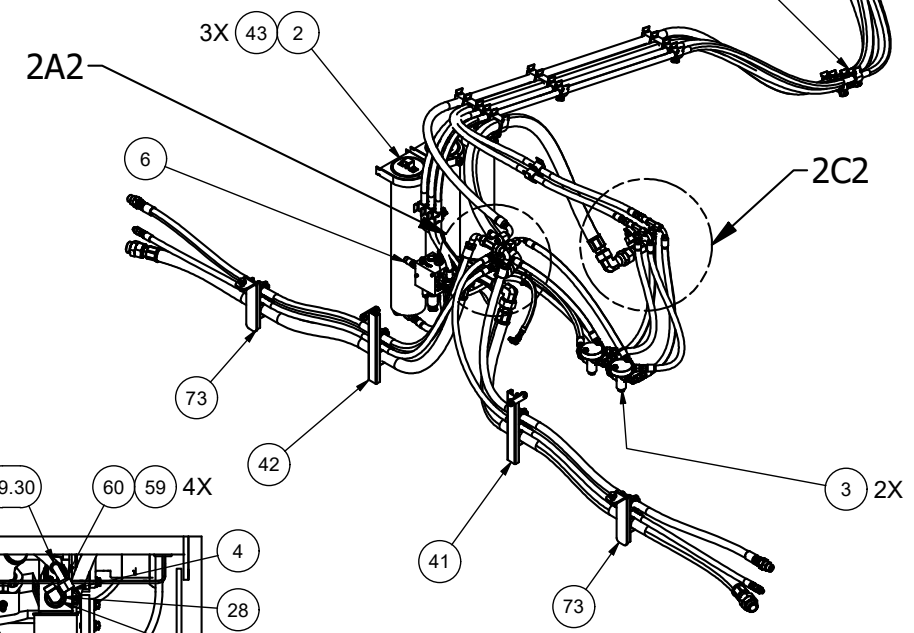
3. ITEM 74 IS USED TO LABEL HOSES. USE NUMBER AND COLOR PER LABEL ON EACH END OF HOSE.



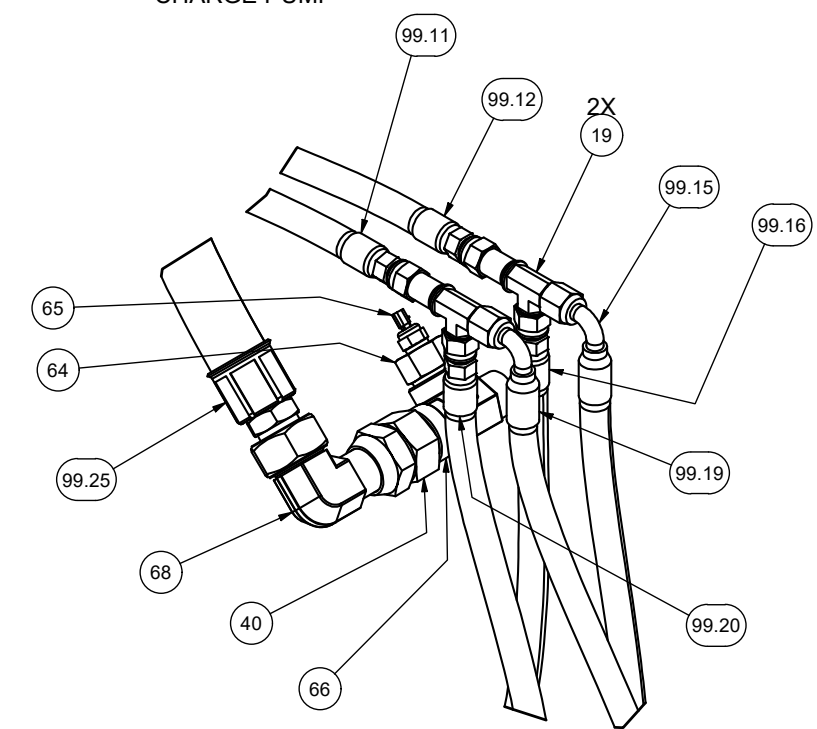
DETAIL 2A2
FRONT AXLE DISTRIBUTION



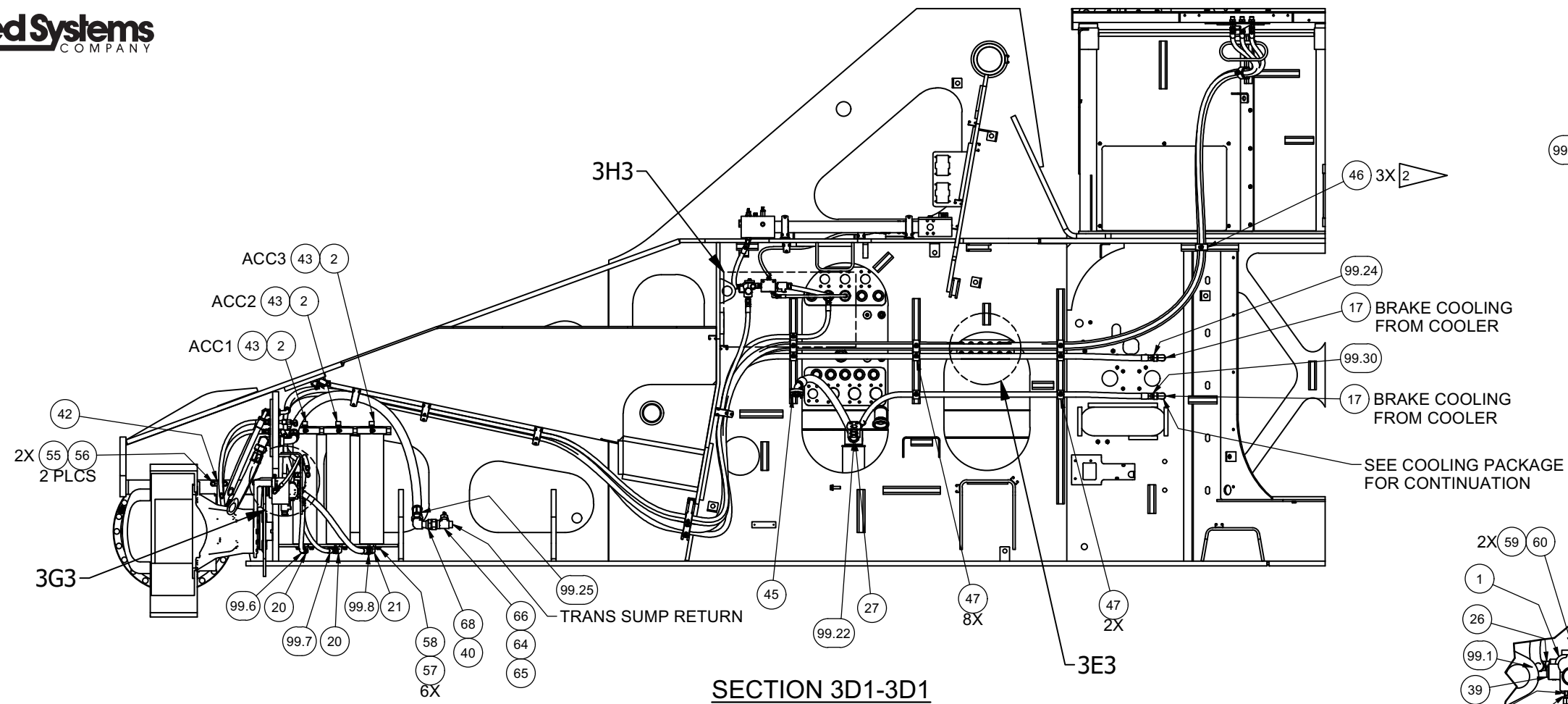
SECTION 2B1-2B1
CAB CONNECTIONS



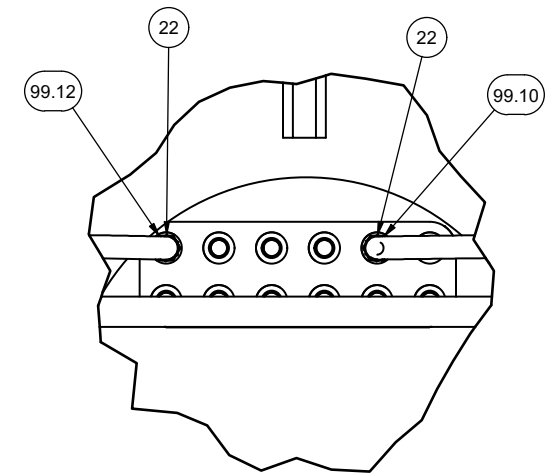
BRAKE COOLING FILTER UNDER HYD TANK



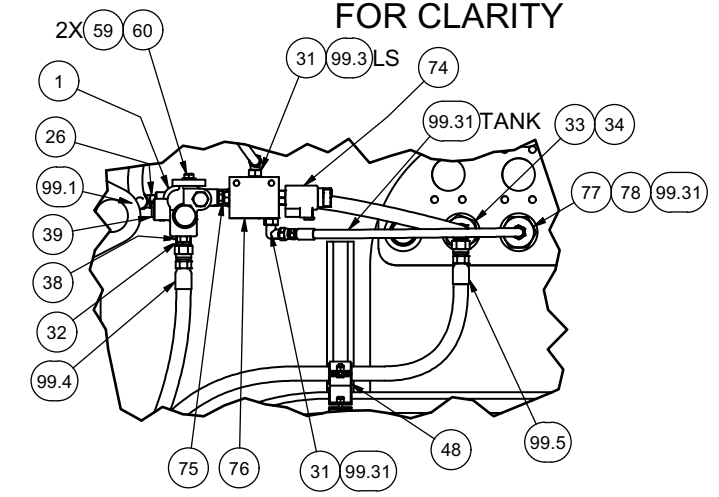
DETAIL 2C2



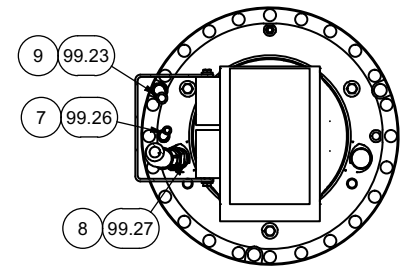
SECTION 3D1-3D1
SOME PARTS REMOVED FOR CLARITY



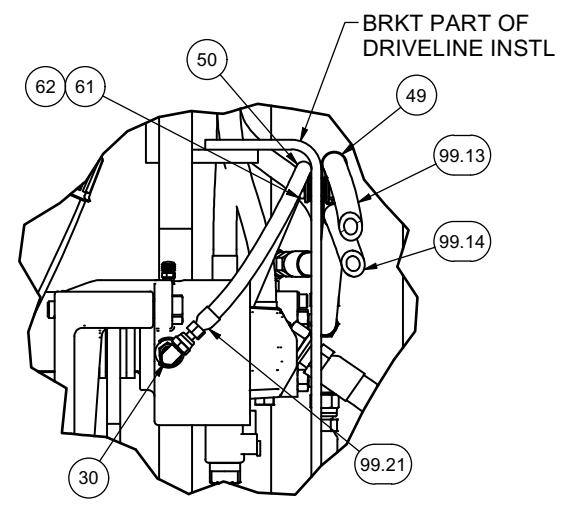
DETAIL 3E3
BRAKE DRAINS
SOME PARTS REMOVED
FOR CLARITY



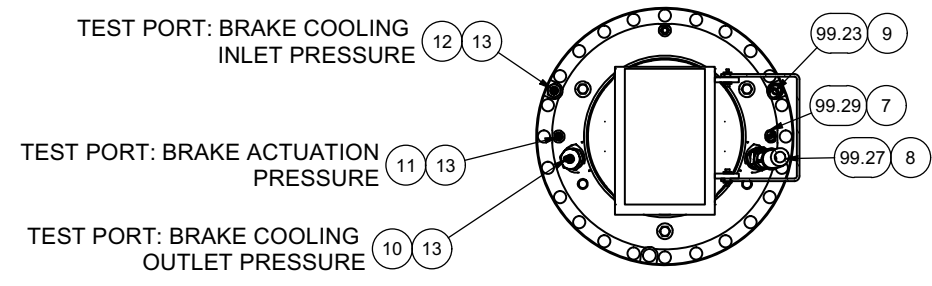
DETAIL 3H3
ACC CHARGE VALVE



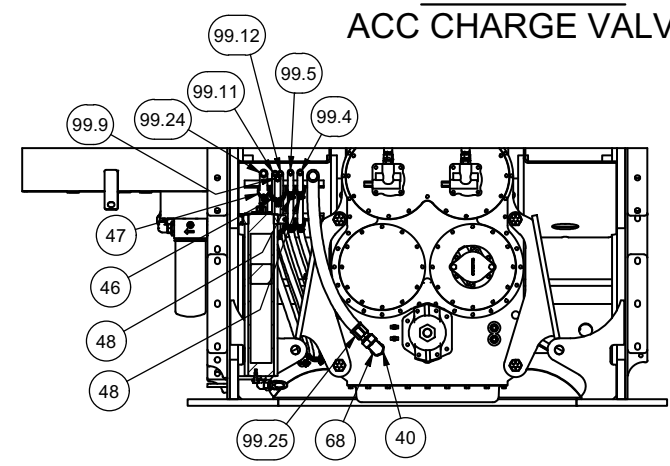
SECTION 3R1-3R1
LH BRAKE HUB PLUMBING
SINGLE FRONT TIRES UNIT SHOWN



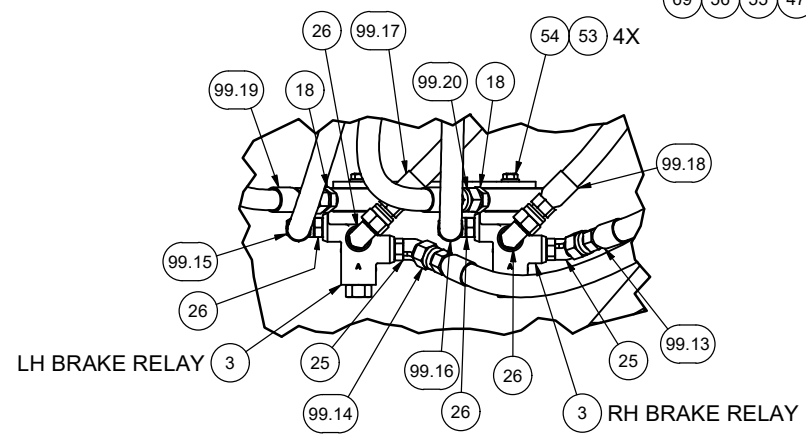
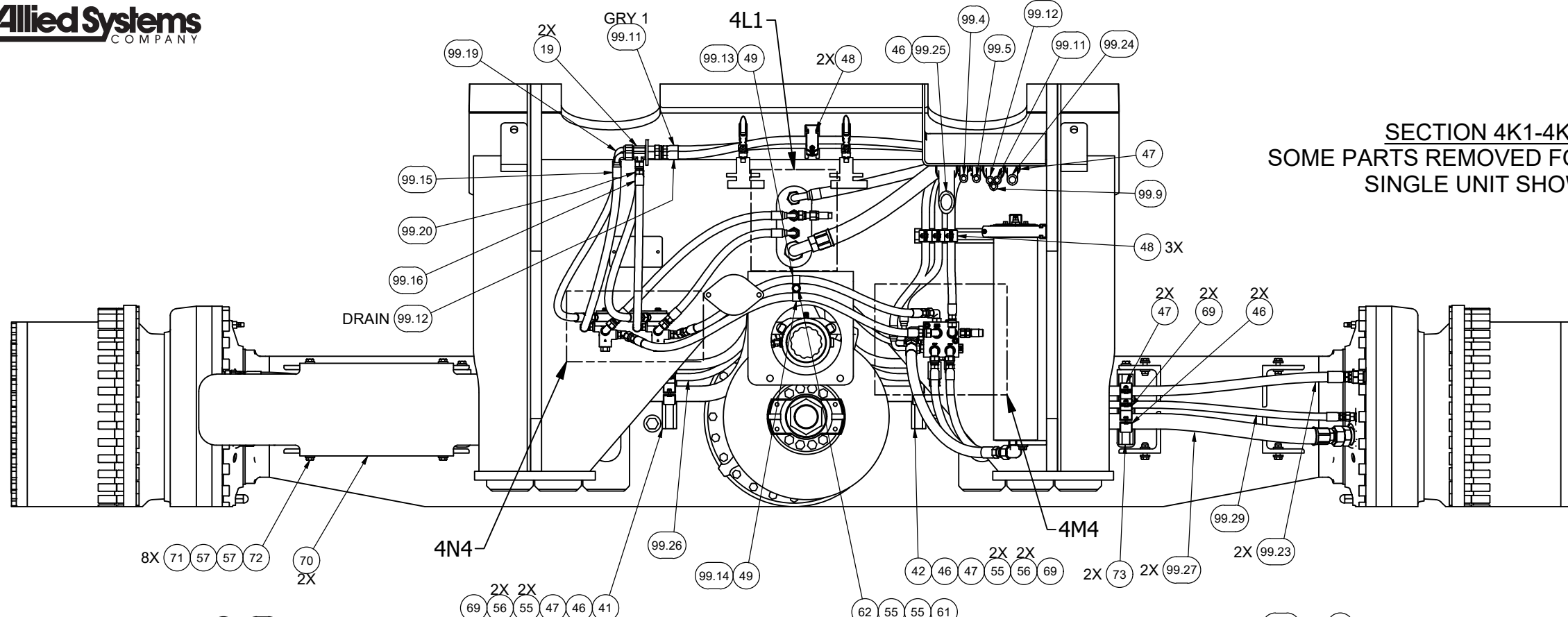
DETAIL 3G3
PARKING BRAKE



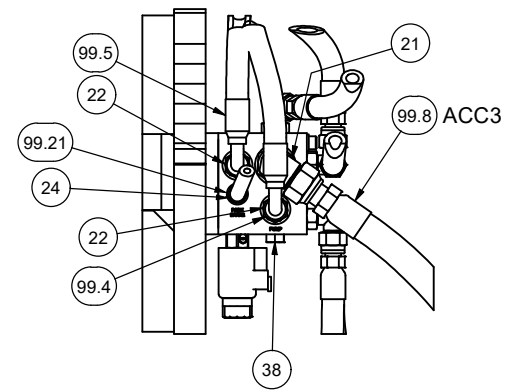
SECTION 3F1-3F1
RH BRAKE HUB PLUMBING
SINGLE FRONT TIRES UNIT SHOWN



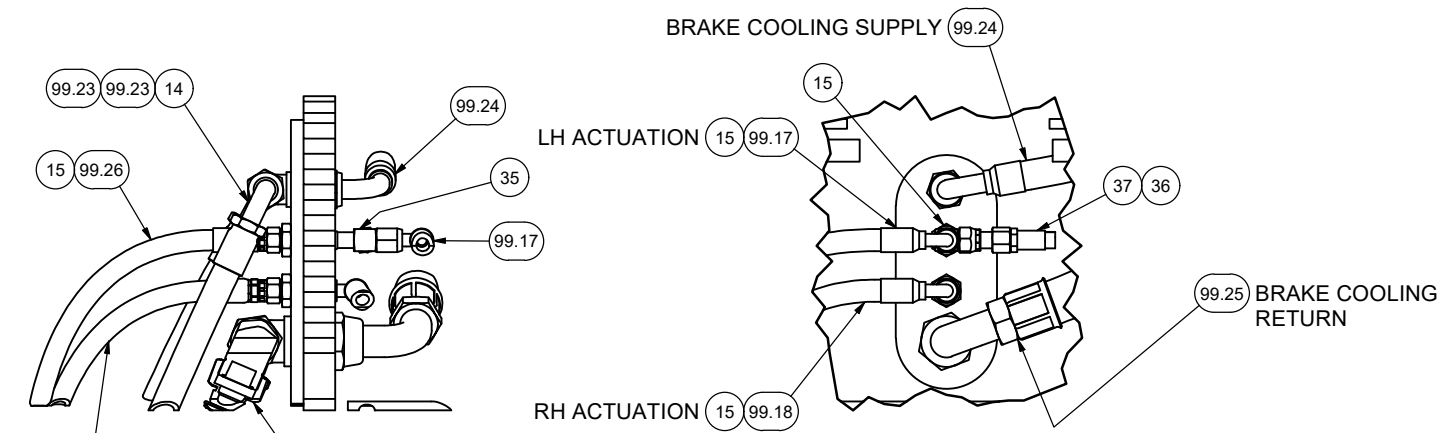
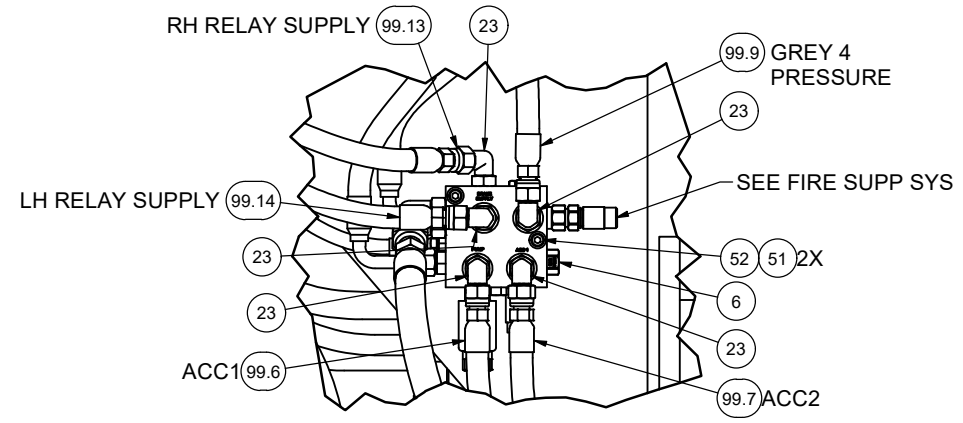
SECTION 3J1-3J1
TRANS SUMP RETURN



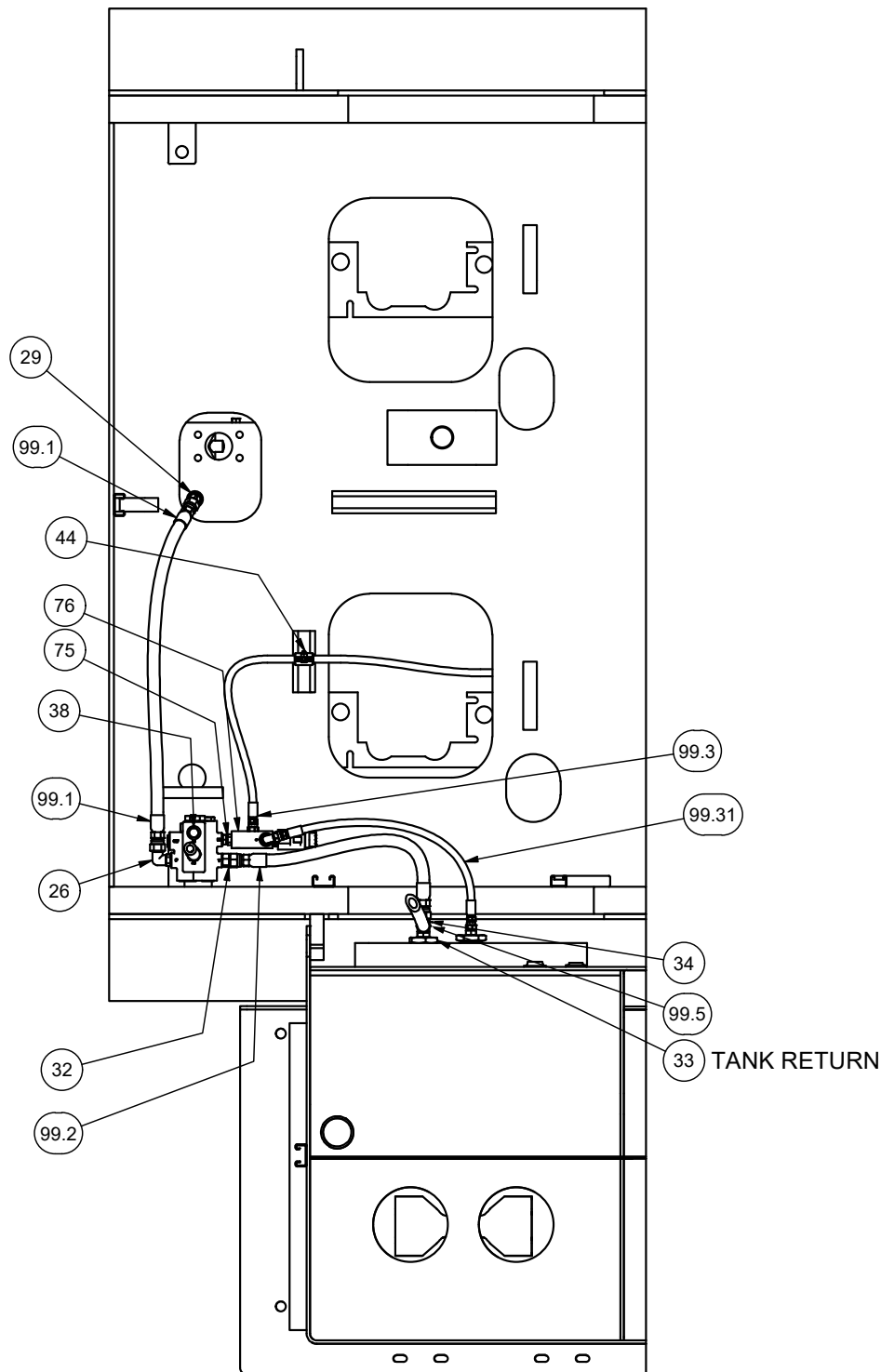
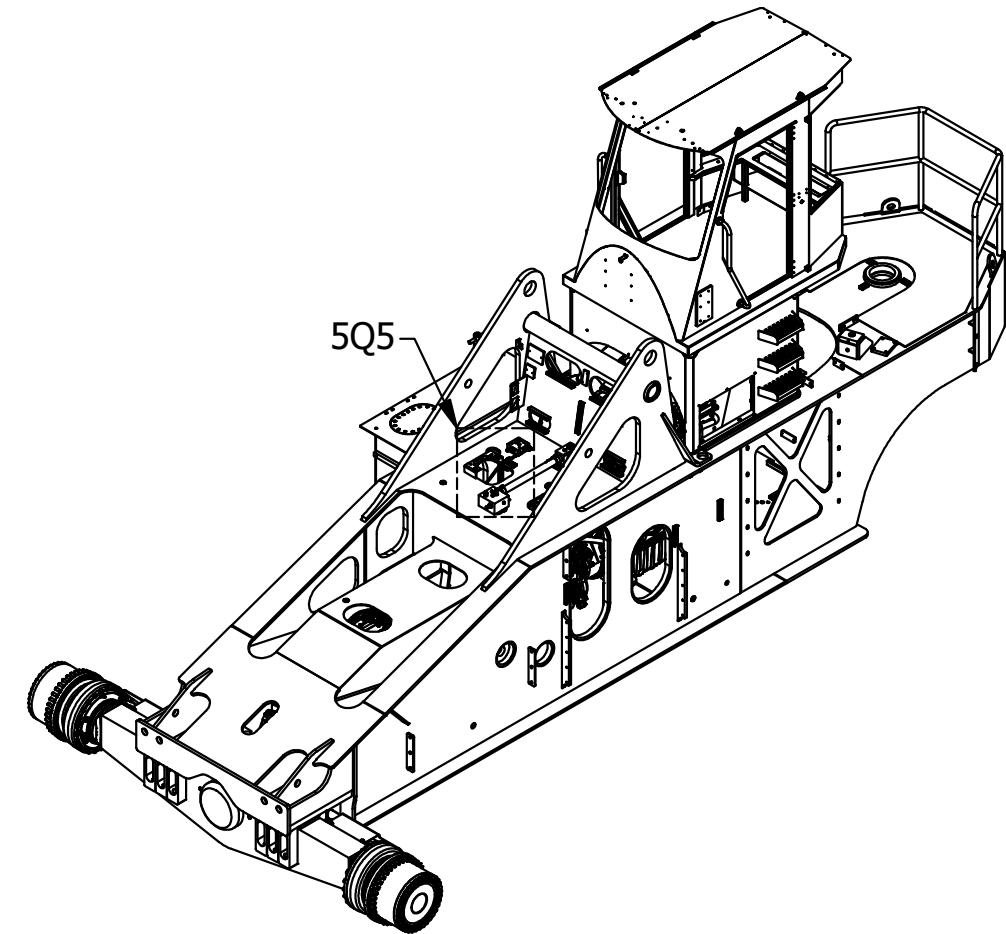
**DETAIL 4N4
RELAY PLUMBING**



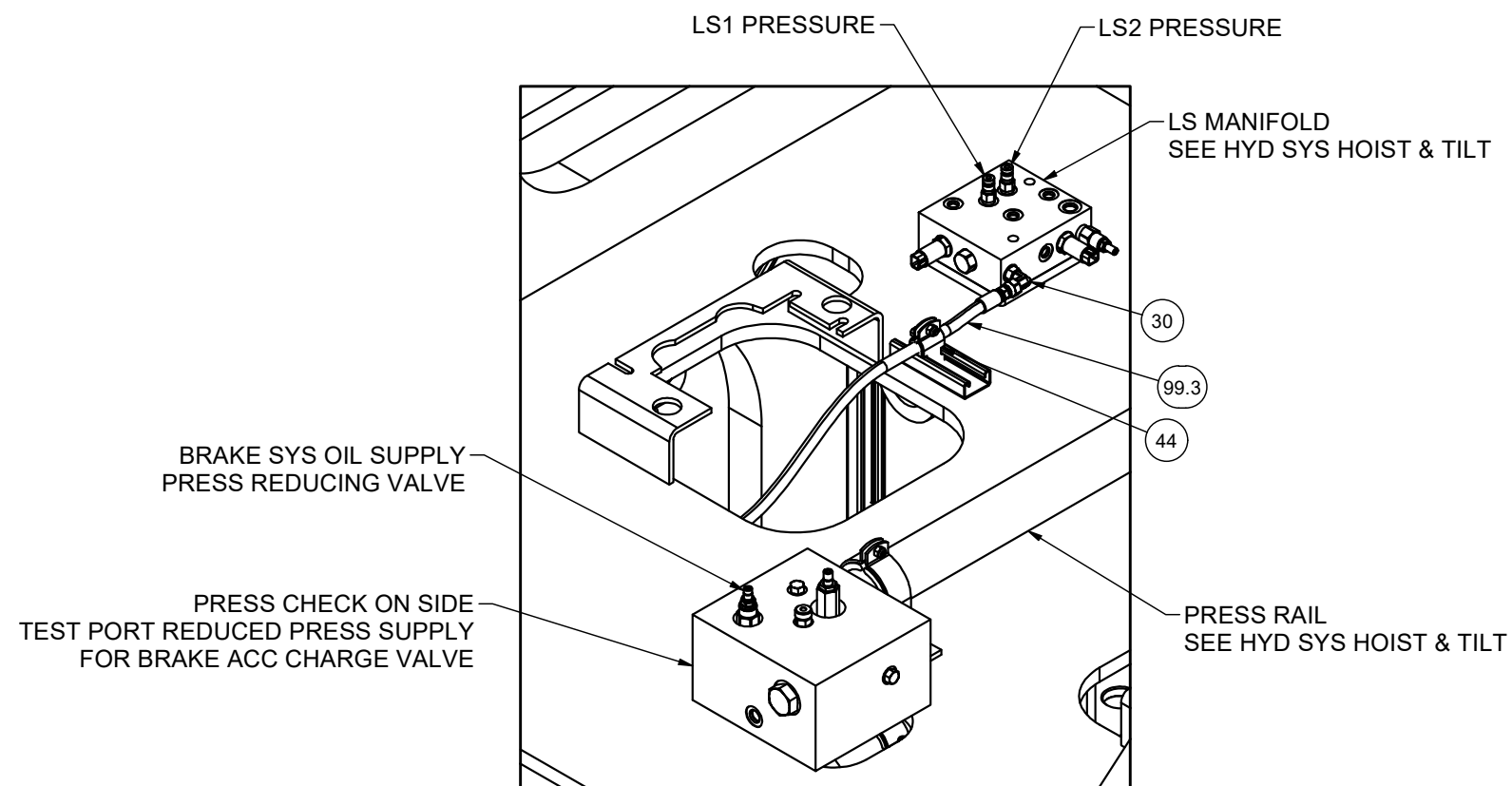
**DETAIL 4M4
BRAKE MANIFOLD**



**DETAIL 4L1
FRONT AXLE BULKHEAD PLUMBING**



SECTION 5P1-5P1
BOTTOM OF VALVE DECK LOOKING UP



DETAIL 5Q5
LS MANIFOLD ON VALVE DECK