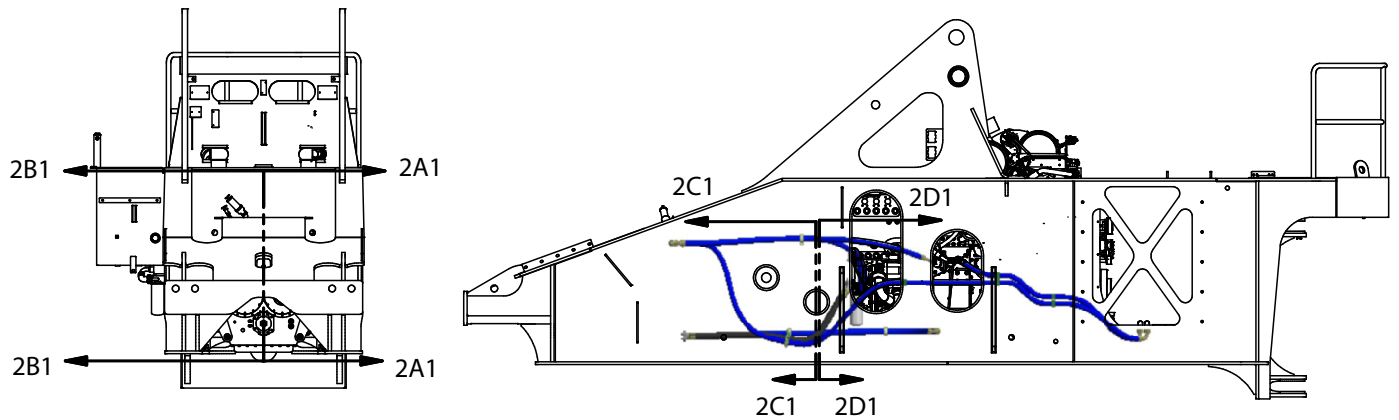
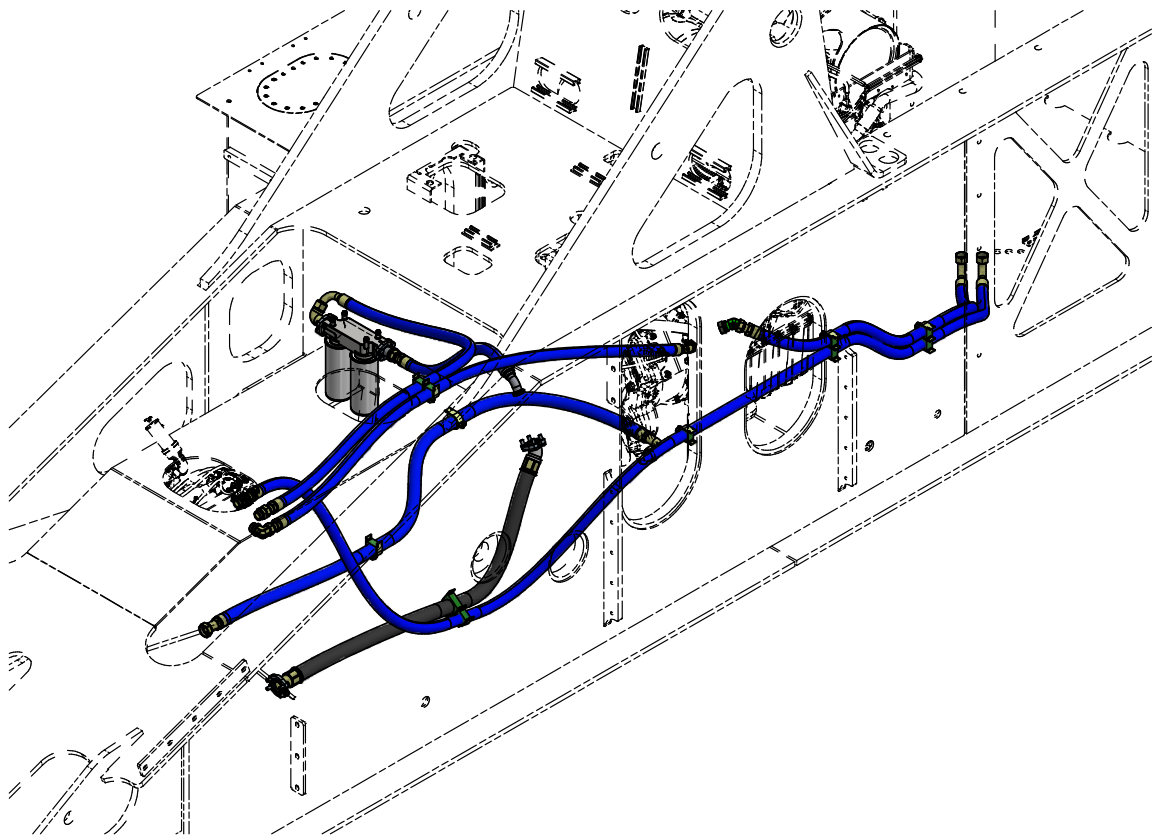

Transmission Circuit

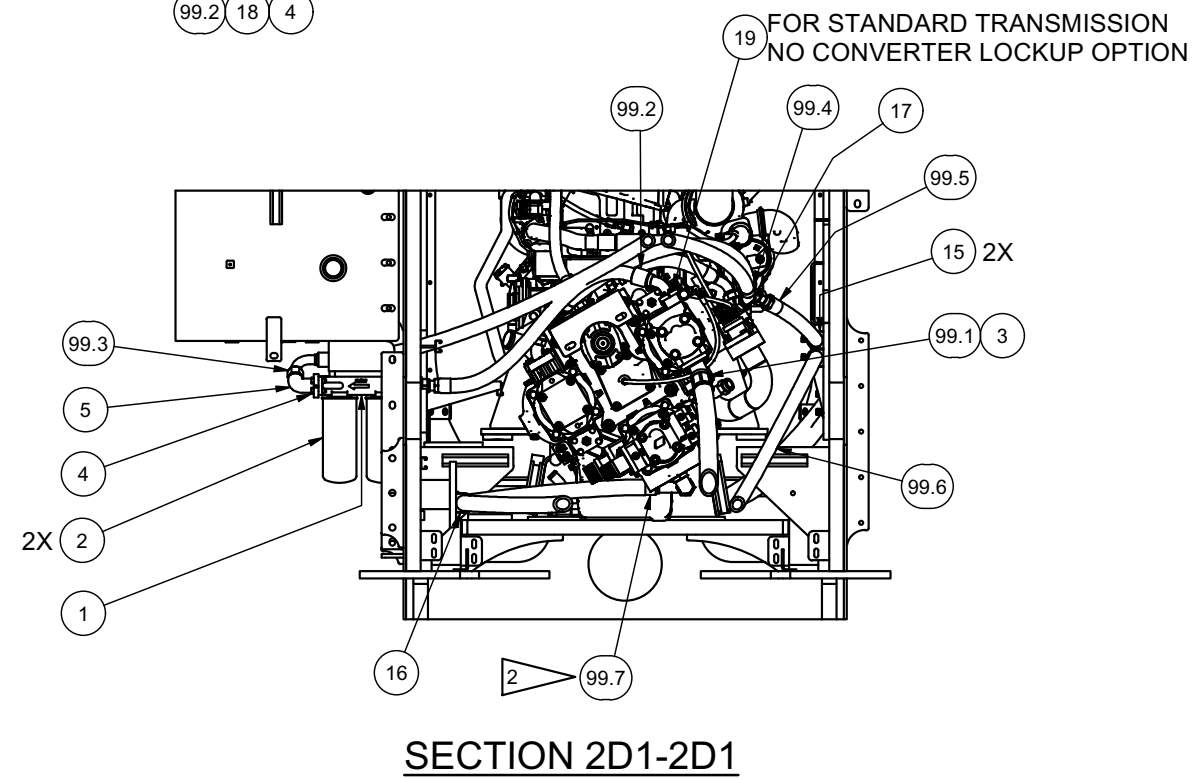
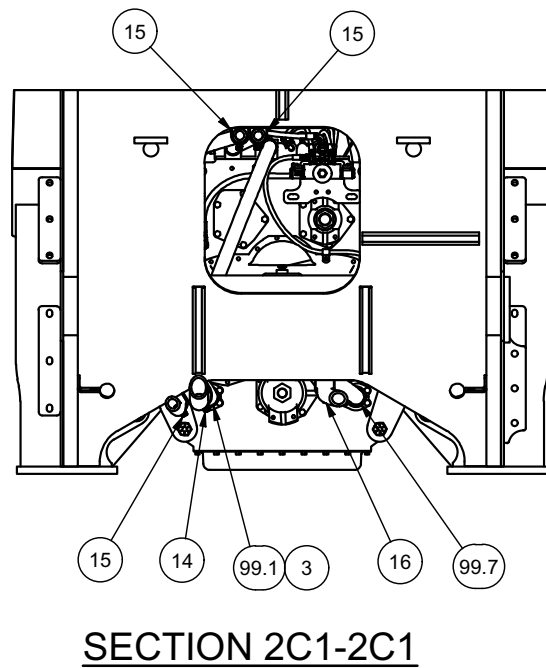
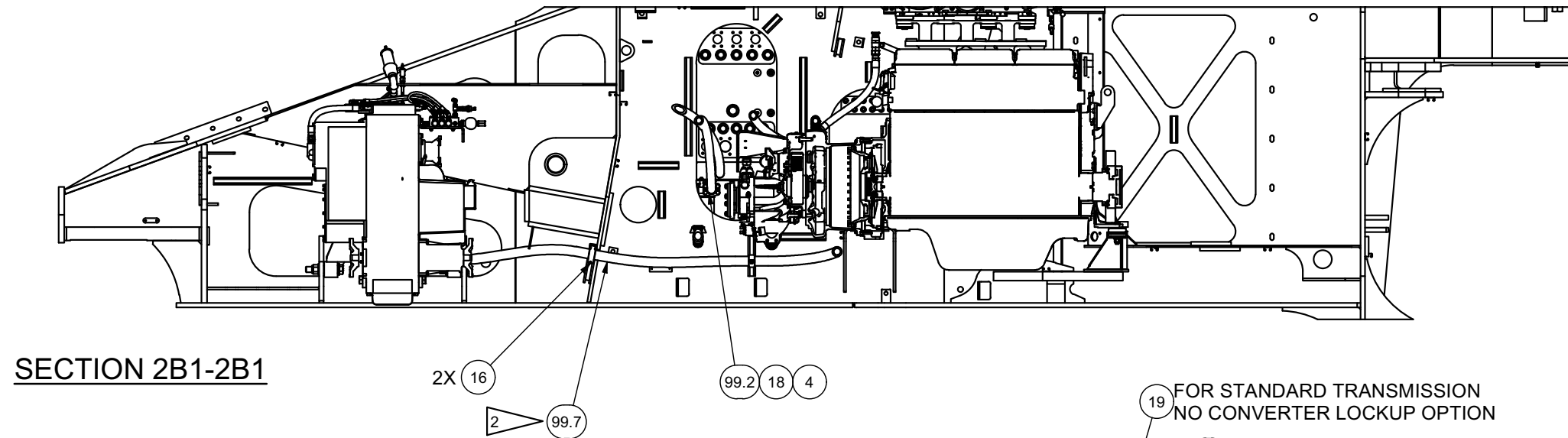
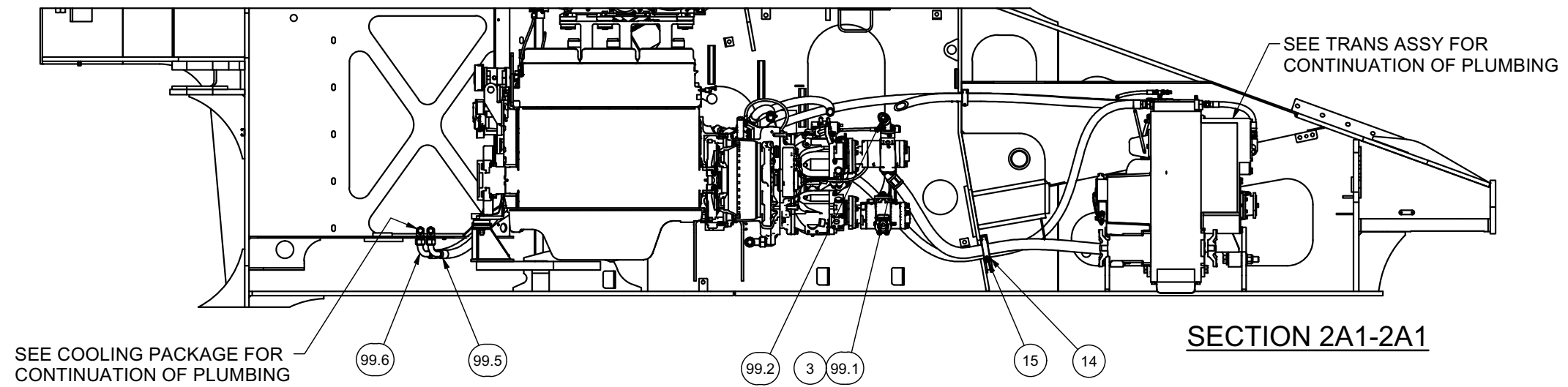
Transmission Circuit

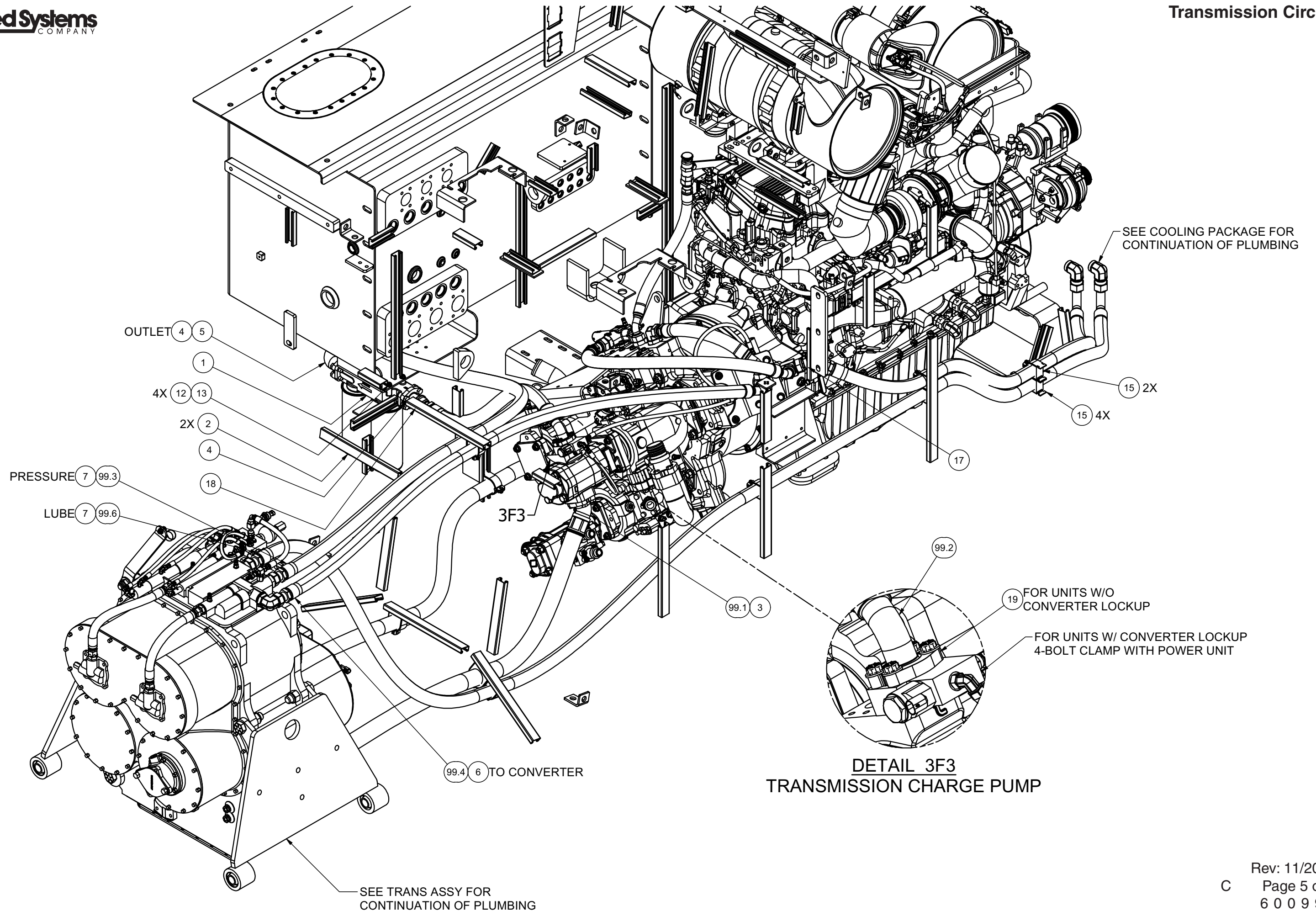
| Item | Part No. | Qty | Description | Item | Part No. | Qty | Description |
|------|---------------|-----|-----------------------------|------|----------|-----|---------------------|
| | 600991 | | Transmission Circuit | | | | |
| 1 | * 584259 | 1 | . Filter Assembly | 18 | 595816 | 1 | . Fitting |
| 2 | 247429 | 2 | . Element, Filter | 19 | 11740 | 1 | . Kit, Split Flange |
| 3 | 12721 | 2 | . Kit, Split Flange | | 203446 | 1 | .. O-Ring |
| | 203519 | 1 | .. O-Ring | 99 | 601797 | 1 | . Kit, Hose |
| 4 | 11767 | 2 | . Kit, Split Flange | 99.1 | 601796 | 1 | .. Hose Assembly |
| | 203516 | 1 | .. O-Ring | 99.2 | 601618 | 1 | .. Hose Assembly |
| 5 | 592266 | 1 | . Fitting | 99.3 | 598010 | 1 | .. Hose Assembly |
| 6 | 231455 | 1 | . Fitting | 99.4 | 598011 | 1 | .. Hose Assembly |
| 7 | 232359 | 2 | . Fitting | 99.5 | 598012 | 1 | .. Hose Assembly |
| | 232384 | 1 | .. O-Ring | 99.6 | 598013 | 1 | .. Hose Assembly |
| 12 | 221767W | 4 | . Washer | 99.7 | 598014 | 1 | .. Hose Assembly |
| 13 | Y17C-0616 | 4 | . Capscrew | | | | |
| 14 | 590058 | 1 | . Clamp | | | | |
| 15 | CLP0100175 | 8 | . Clamp | | | | |
| 16 | CLP0100200 | 2 | . Clamp | | | | |
| 17 | 598034 | 1 | . Fitting | | | | |

* See Separate Coverage



2 FOR CONVERTER DRAIN LINE ADJUST CLAMPS SUCH THAT CONVERTER DRAIN LINE MAINTAINS A CONTINUOUS SLOPE TOWARDS TRANSMISSION DRAIN RETURN PORT.





DETAIL 3F3
TRANSMISSION CHARGE PUMP