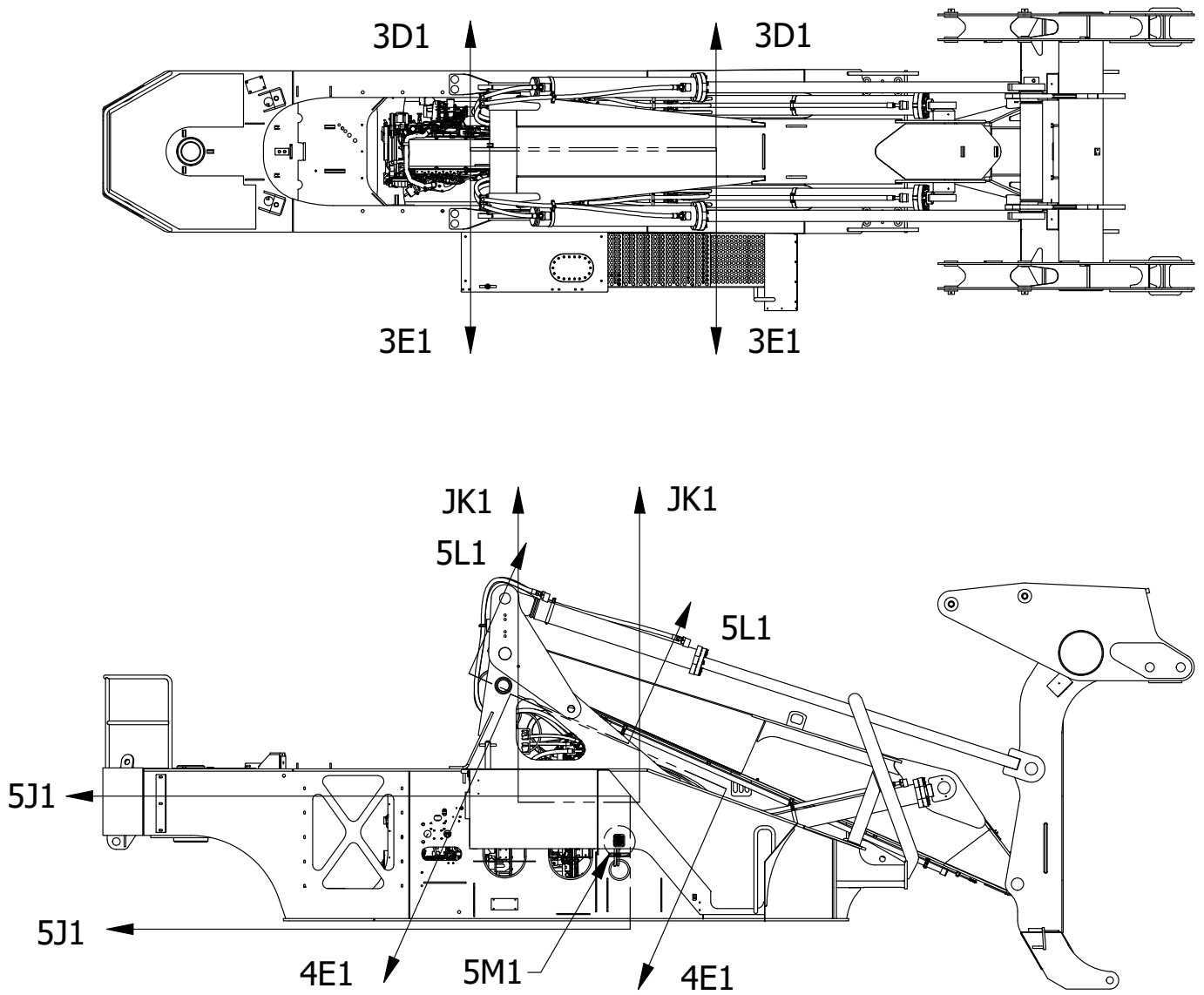
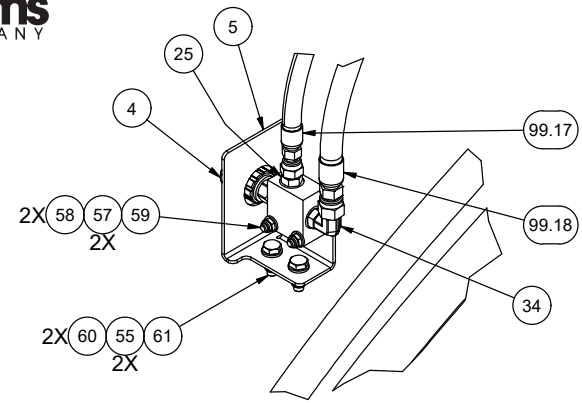

Hydraulic System - Hoist & Tilt

Hydraulic System - Hoist & Tilt

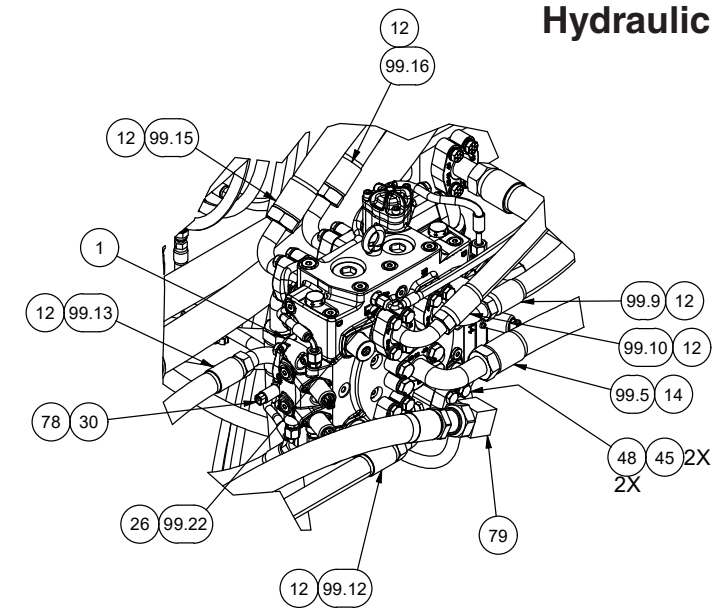
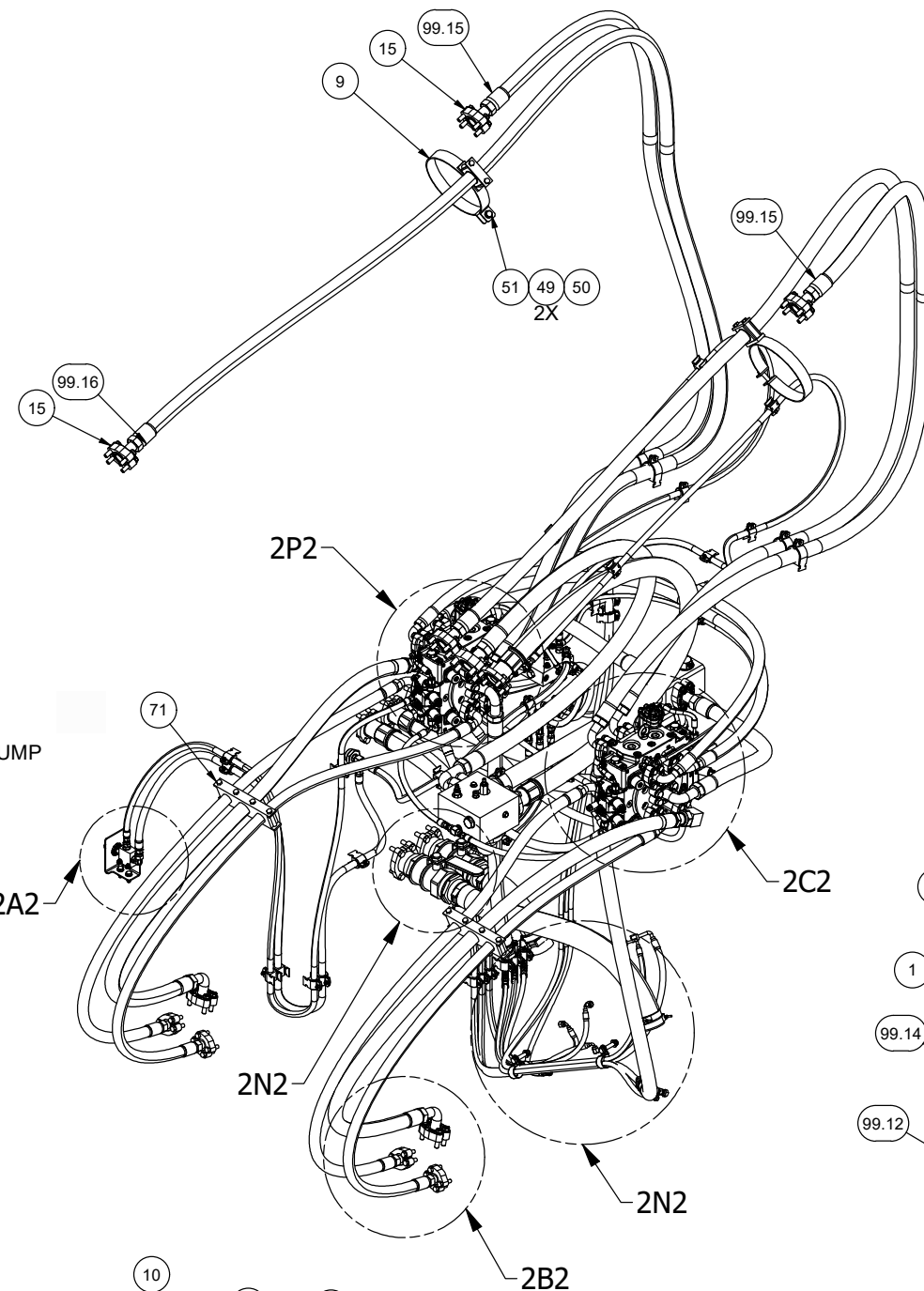
Item	Part No.	Qty	Description	Item	Part No.	Qty	Description
	600990		Hydraulic System - Hoist & Tilt	65	227467	1	. Fitting
1	*a 597834	2	. Valve, Hydraulic	68	602865	2	. Fitting Weldment
2	*a 600717	1	. Assembly, Manifold	69	*c YHGB 06	4'	. Hose Guard, Plastic Spiral
3	*a 600277	1	. Assembly, Press Rail	70	*c 242742	4'	. Spiral Wrap
4	*a 592497	1	. Manual Override Assembly	71	*b 599767	2	. Clamp, Vermatic
5	592488	1	. Bracket	72	203519	1	. O-Ring
6	593142	1	. Decal	73	209538	2	. Clamp Half
7	242243	2	. Clamp	74	219975	4	. Capscrew
9	598203	2	. Clamp Weldment	76	26837	1	. Fitting
10	23390	2	. Kit, Split Flange	77	75176	3	. Fitting, Port
	203523	1	. O-Ring	78	2314959	1	. Fitting
	209539	2	. Clamp Half	79	598244	2	. Fitting
11	216042	8	. T-Bolt Clamp	81	2307625W	3	. Fitting
12	592255	14	. Kit, Split Flange	82	231296	6	. Clamp
13	229448	4	. Kit, Split Flange	83	231466	1	. Fitting
14	594503	4	. Kit, Split Flange	84	253098	2	. Ball Valve
15	229449	8	. Kit, Split Flange	85	253420	2	. Fitting
	203446	1	. O-Ring	86	R833800	2	. Fitting
	225328	2	. Clamp Half	87	2310194	2	. Fitting
	230961	4	. Capscrew	99	601806	1	. Kit, Hose
16	592264	2	. Kit, Split Flange	99.1	201440-50	1	. Suction Hose
17	236869	2	. Fitting	99.2	67513-13.5	1	. Hose, Code 89
18	12721	5	. Kit, Split Flange	99.3	600506	1	. Hose Assembly
	203519	1	. O-Ring	99.4	600505	1	. Hose Assembly
19	229450	2	. Kit, Split Flange	99.5	600509	2	. Hose Assembly
	203516	1	. O-Ring	99.6	601807	1	. Hose Assembly
	234893	4	. Capscrew	99.7	601808	1	. Hose Assembly
	236974	2	. Clamp Half	99.8	598209	1	. Hose Assembly
21	CLP0100175	4	. Clamp, Hydra-Zorb	99.9	600547	1	. Hose Assembly
22	255588	2	. Clamp, Hydra-Zorb	99.10	600548	1	. Hose Assembly
23	231463	4	. Fitting	99.11	598212	2	. Hose Assembly
24	231846	1	. Fitting	99.12	598223	2	. Hose Assembly
25	231440	6	. Fitting	99.13	598224	2	. Hose Assembly
26	R833103	4	. Fitting	99.14	599772	2	. Hose Assembly
27	231439	2	. Fitting	99.15	603685	2	. Hose Assembly
28	R833251	2	. Fitting	99.16	601791	2	. Hose Assembly
29	231446	1	. Fitting	99.17	600510	1	. Hose Assembly
30	598153	4	. Transducer	99.18	595690	1	. Hose Assembly
31	2311842	3	. Fitting	99.19	237148	2	. Hose Assembly
32	231250	5	. Clamp	99.20	242444	1	. Hose Assembly
33	599611	3	. Coupler	99.21	594058	1	. Hose Assembly
34	R833261	2	. Fitting	99.22	600722	1	. Hose Assembly
36	231458	3	. Fitting	99.23	600723	1	. Hose Assembly
37	R833109	3	. Fitting	99.24	601790	1	. Hose Assembly
38	238429	4	. Clamp	99.25	605382	1	. Hose Assembly
39	231537	20	. Clamp	99.26	598242	1	. Hose Assembly
40	68737	2	. Gage	99.27	R14064	1	. Hose Assembly
41	R833300	1	. Fitting	99.28	601749	1	. Hose Assembly
42	231251	4	. Clamp	99.29	601750	2	. Hose Assembly
43	R13808111	3	. Clip, Insulated	99.30	600540	1	. Hose Assembly
44	203443	4	. O-Ring	99.31	600536	1	. Hose Assembly
45	236973	4	. Clamp Half	99.32	600720	1	. Hose Assembly
46	209512	2	. Fitting	99.33	237277	1	. Hose Assembly
47	209423	2	. Fitting	99.34	600539	1	. Hose Assembly
48	Y19C-M1280	8	. Capscrew	99.35	242446	1	. Hose Assembly
49	296422W	8	. Washer	99.36 *d	254775-60	1	. Fire Sleeve
50	302402W	4	. Locknut	99.37 *d	242683-40	1	. Fire Sleeve
51	232386	2	. Capscrew	99.38	600721	1	. Hose Assembly
55	296420W	10	. Washer				
56	293628W	6	. Capscrew				*a See Separate Coverage
57	296418W	4	. Washer				
58	302400W	2	. Locknut				*b Used as a hose tamer. Adjust hoses as required in clamp to prevent hoses from contacting chassis.
59	R13809038	2	. Capscrew				
60	302401W	2	. Locknut				*c Not Shown. Use to protect hoses in and around sharp edges
61	293629W	2	. Capscrew				
62	R13717	2	. Capscrew				*d Not Shown. Use to bundle the LS lines from the LS manifold to the pumps. Use item 32 to secure fire sleeve and all three hoses prior to routing hoses to lower 3 clamps.
63	221767W	2	. Washer				
64	180959W	2	. Capscrew				

Hydraulic System - Hoist & Tilt

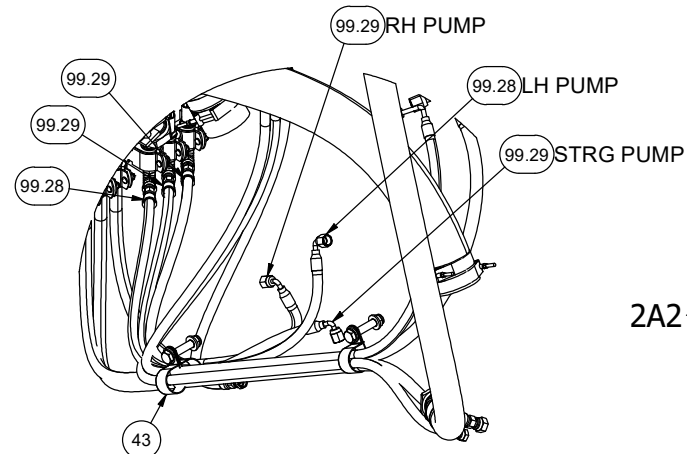




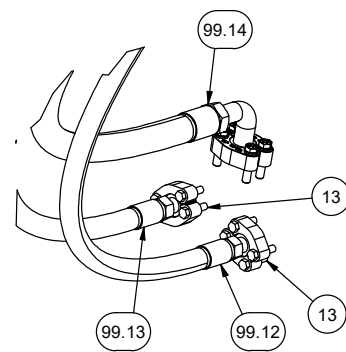
DETAIL 2A2
HOIST CYLINDER MANUAL OVERRIDE



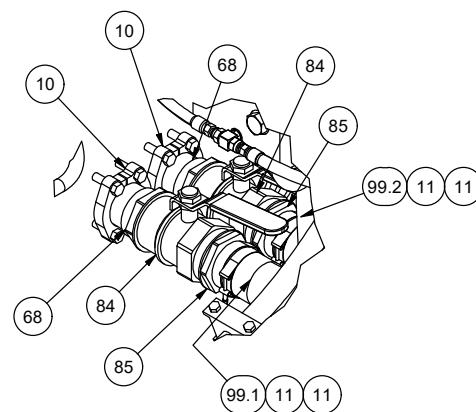
DETAIL 2C2
LH HOIST & TILT VALVE



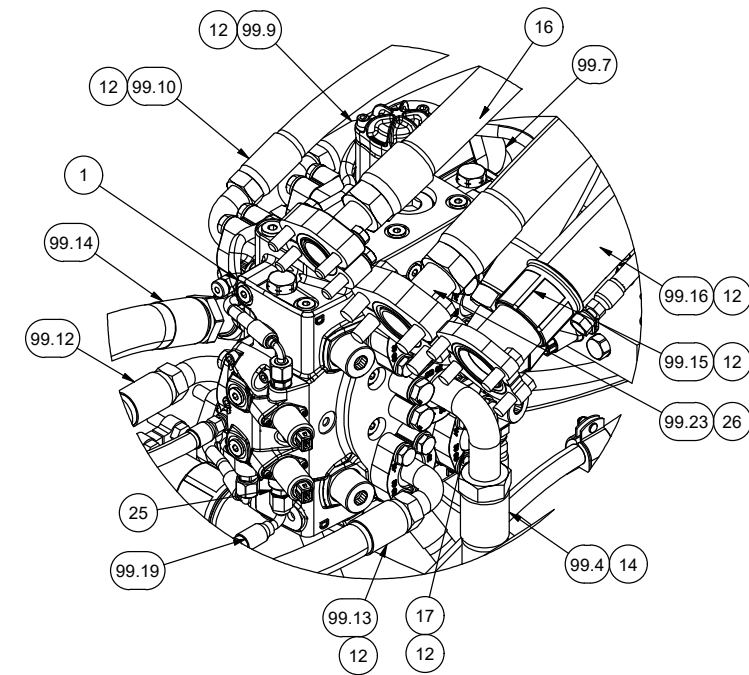
DETAIL 2N2
PUMP PRESS TRANSDUCERS
SEE DETAILS 3E1 & 5J1



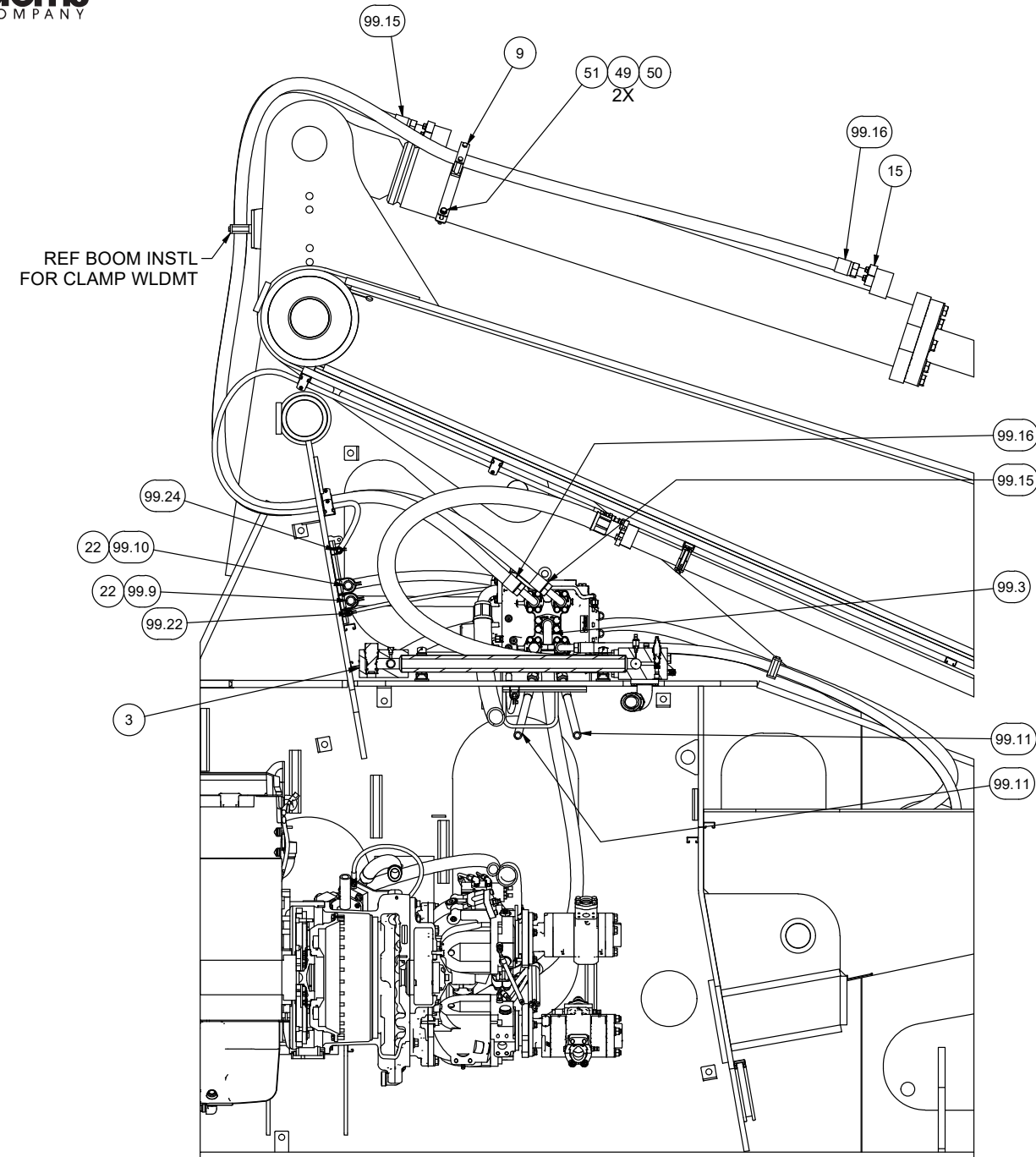
DETAIL 2B2
HOIST CYLINDER BASE PLUMBING



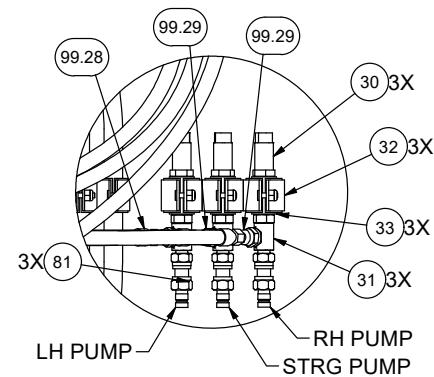
DETAIL 2N2



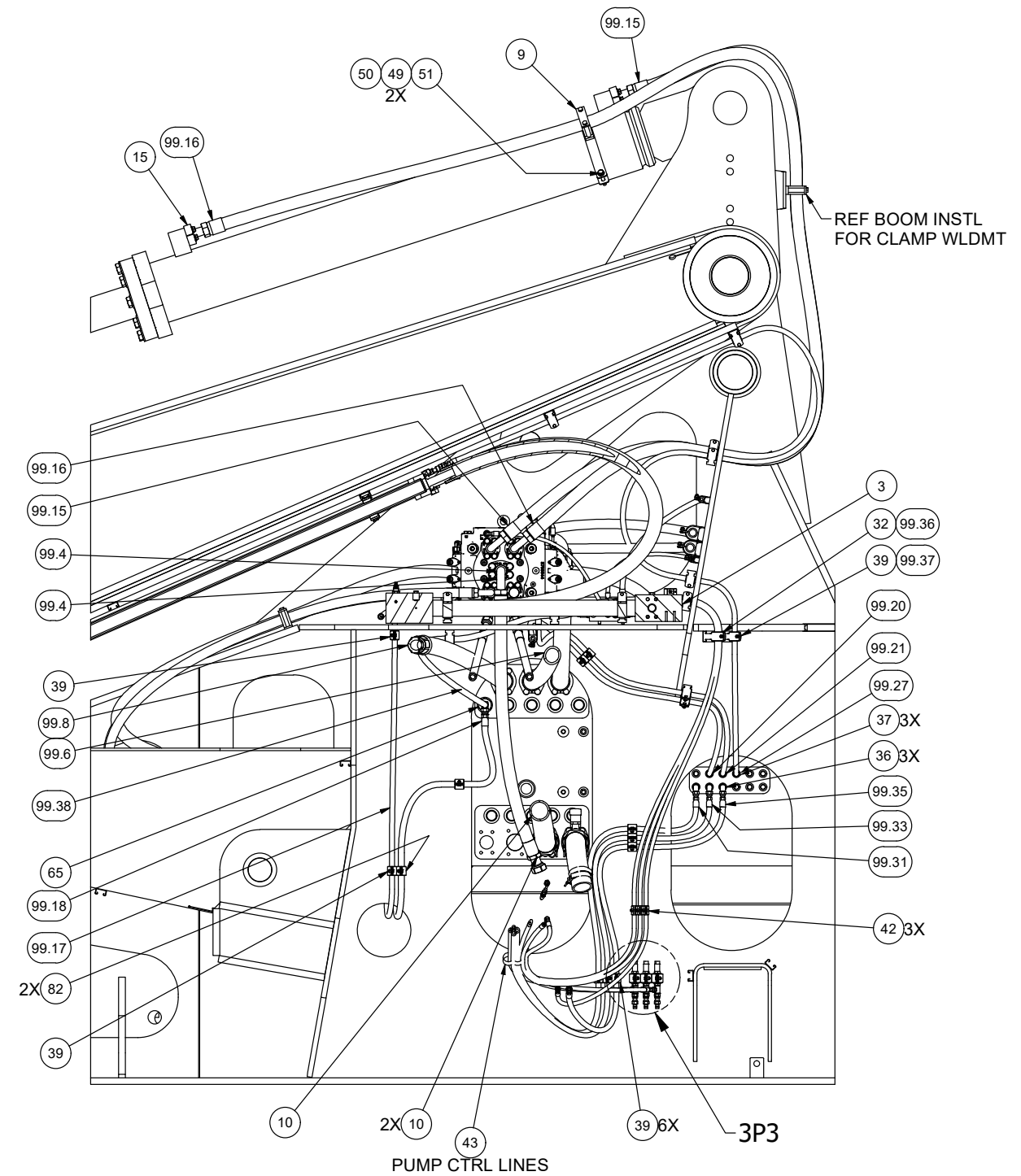
DETAIL 2P2
RH HOIST & TILT VALVE
SOME PARTS REMOVED FOR CLAIRTY



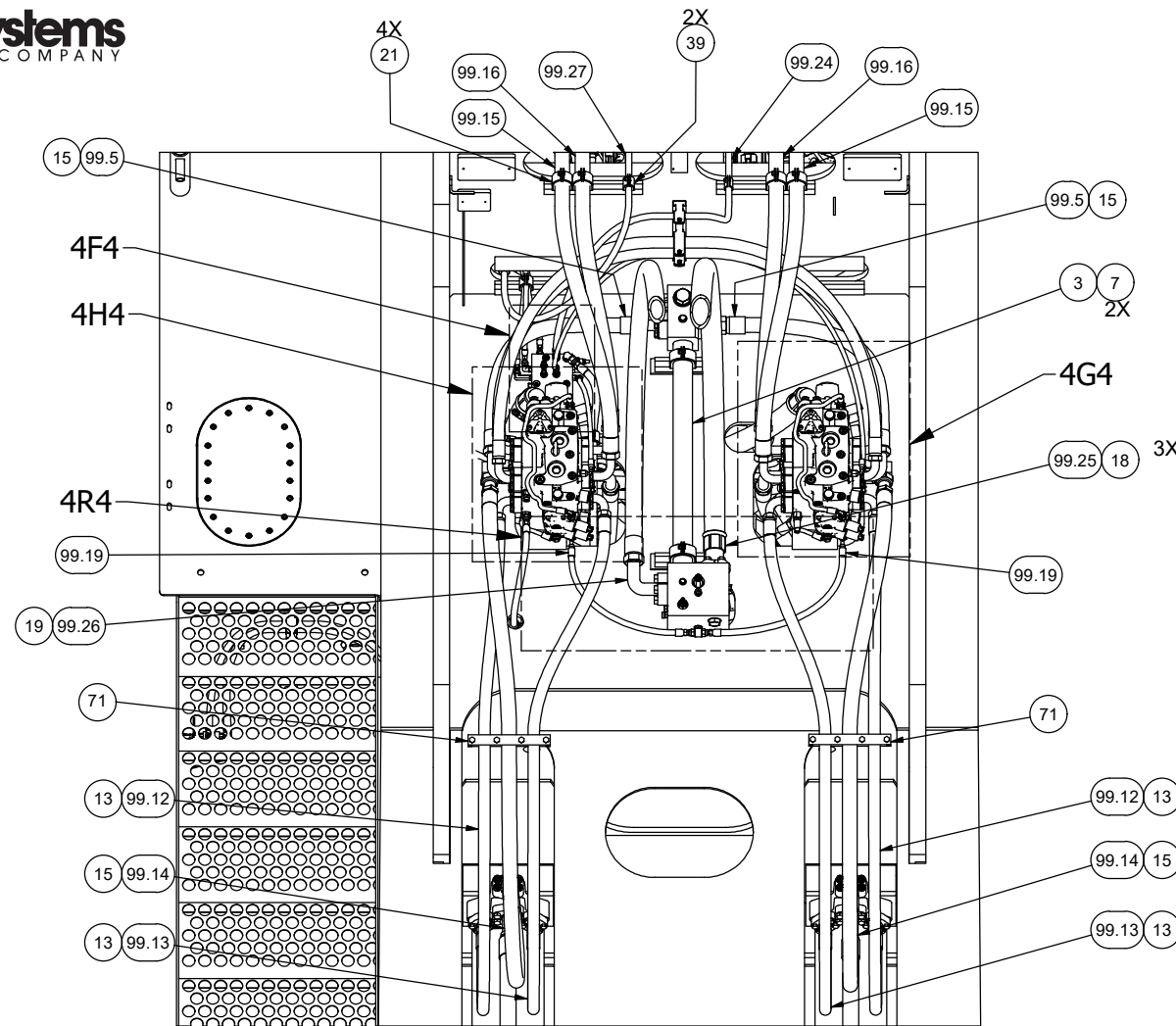
**SECTION 3D1-3D1
LH CHASSIS PLUMBING**



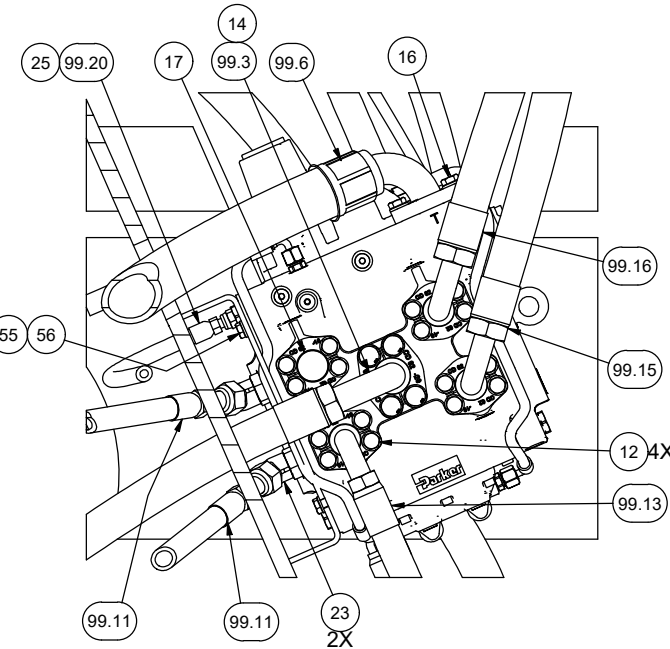
**DETAIL 3P3
PUMP PRESS SENSORS**



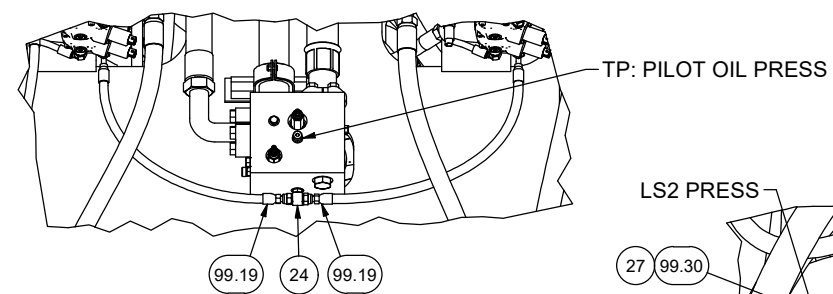
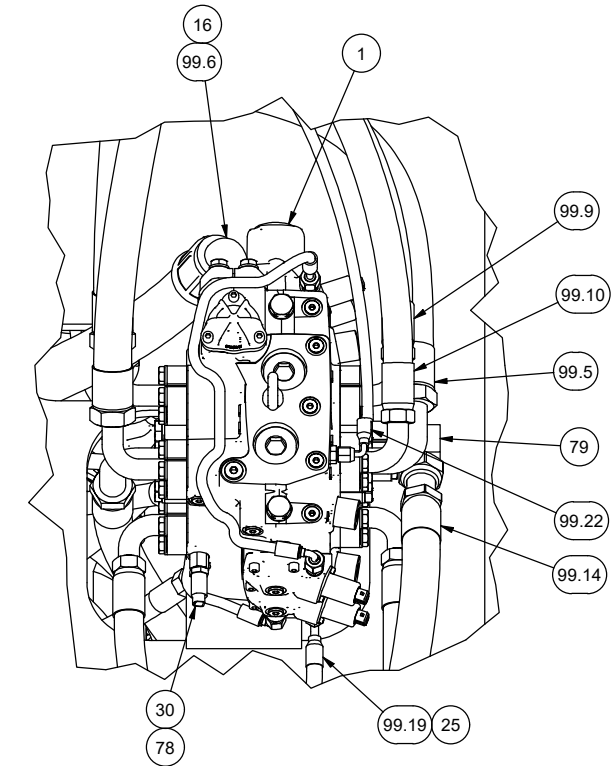
**SECTION 3E1-3E1
RH CHASSIS PLUMBING
POWER UNIT REMOVED FOR CLARITY**



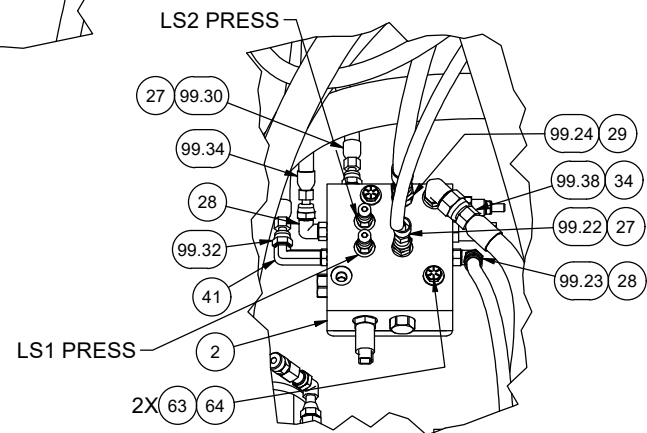
**SECTION 4E1-4E1
VALVE PLATE PLUMBING**



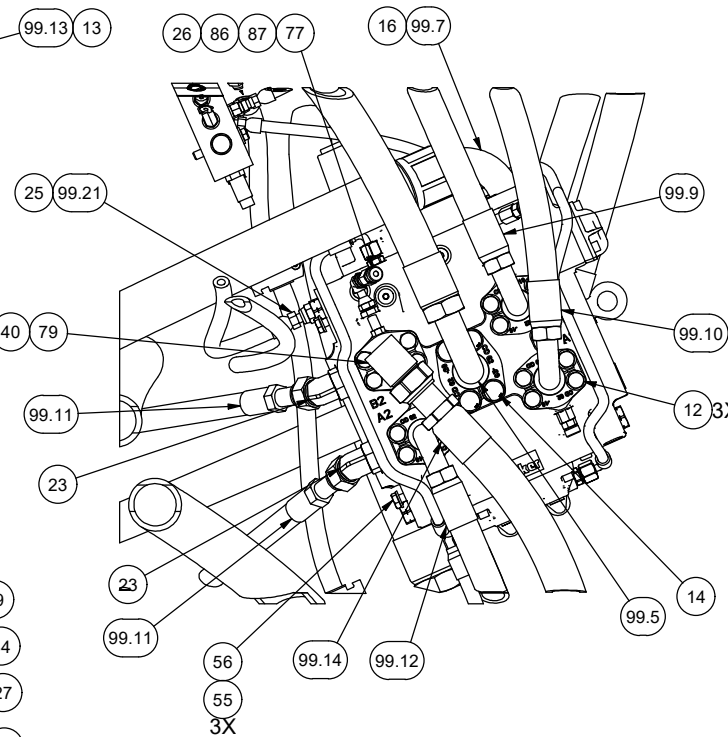
**DETAIL 4G4
LH HOIST & TILT VALVE**



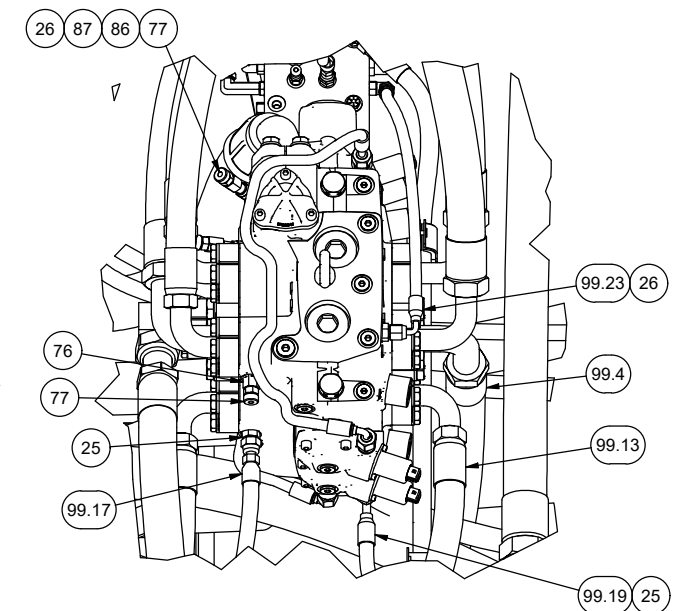
**DETAIL 4R4
PILOT OIL SYSTEM**

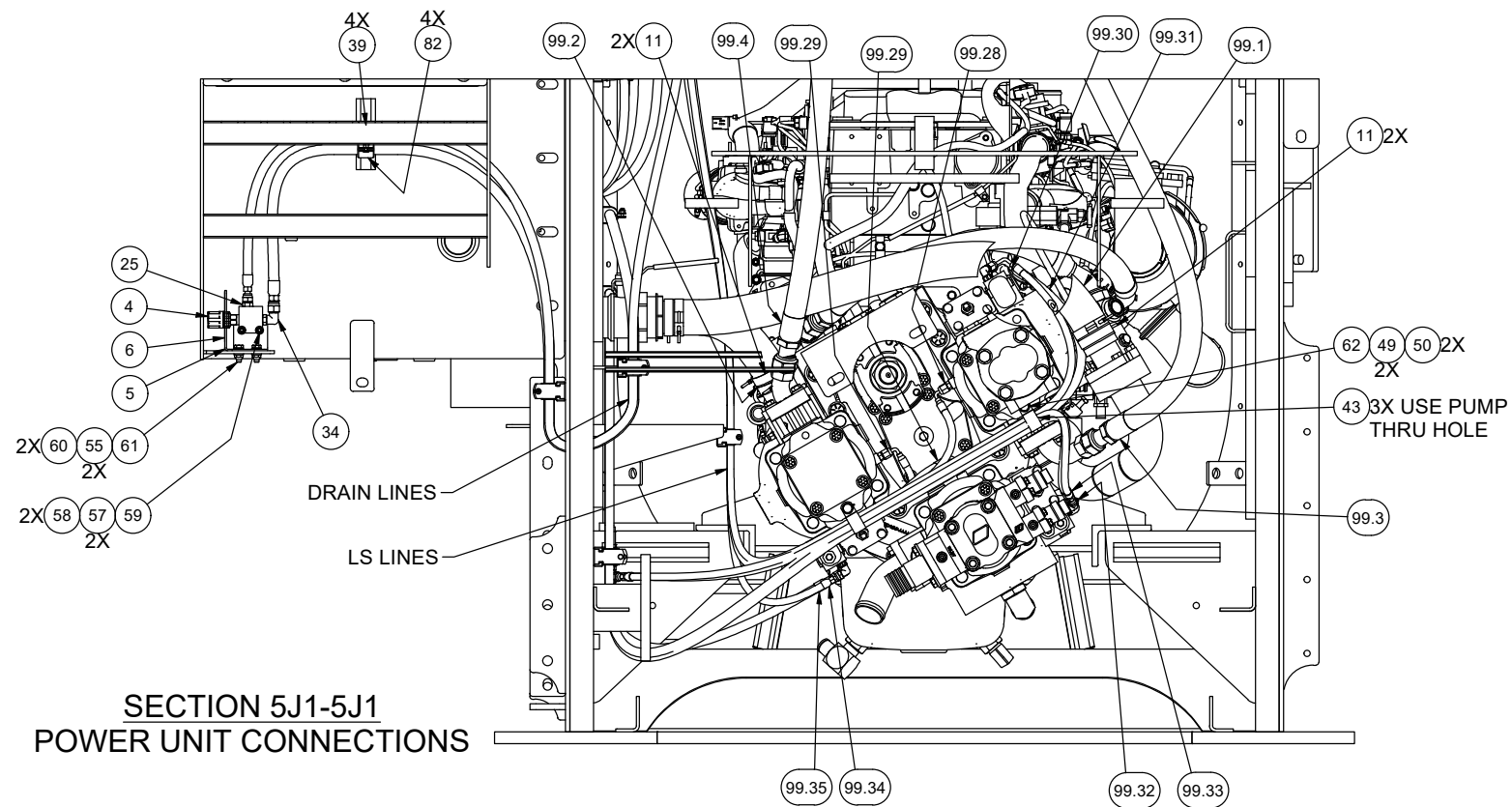


**DETAIL 4F4
LS MANIFOLD
SOME PARTS REMOVED FOR CLARITY**

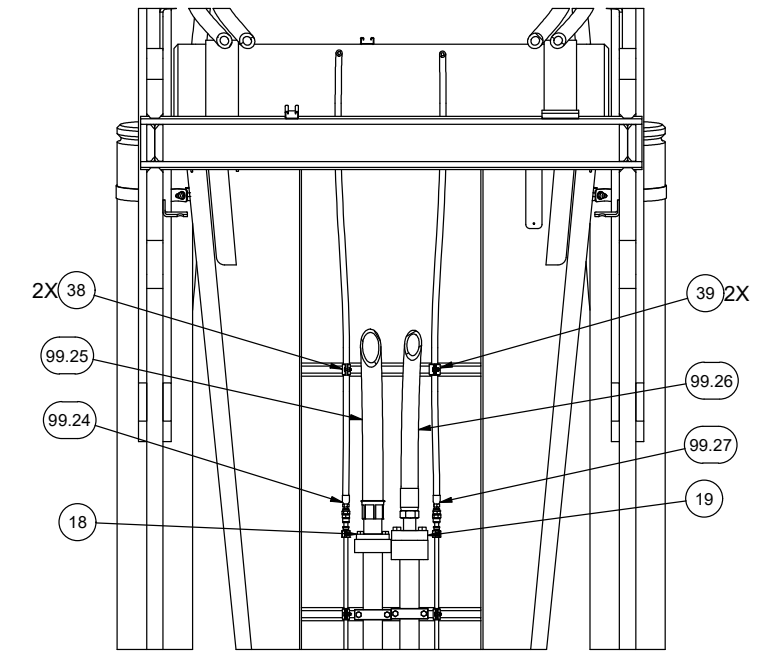


**DETAIL 4H4
RH HOIST & TILT VALVE**

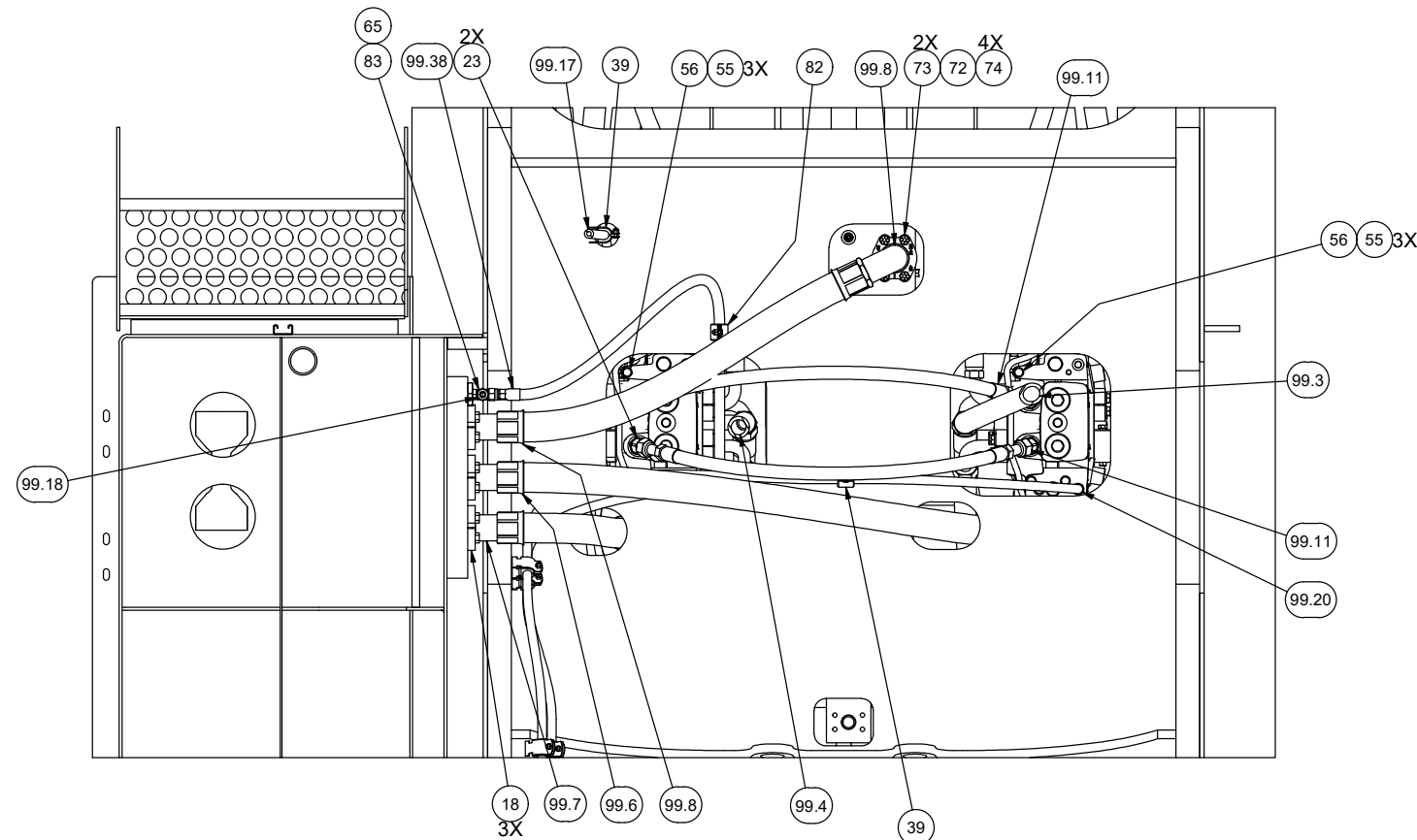




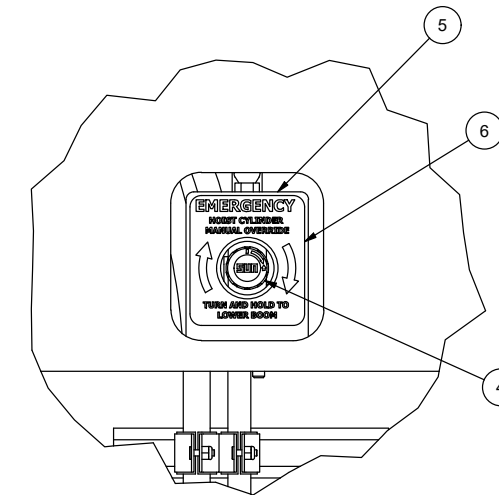
**SECTION 5J1-5J1
POWER UNIT CONNECTIONS**



**SECTION 5L1-5L1
BOOM CONNECTIONS**



**SECTION JK1-JK1
VALVE PLATE PASSTHROUGH**



**DETAIL 5M1
HOIST CYLINDER MANUAL OVERRIDE**