

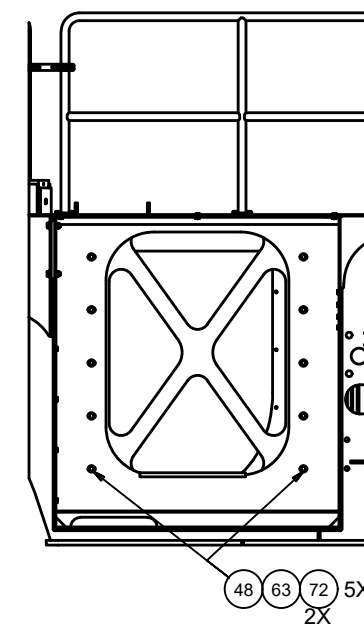
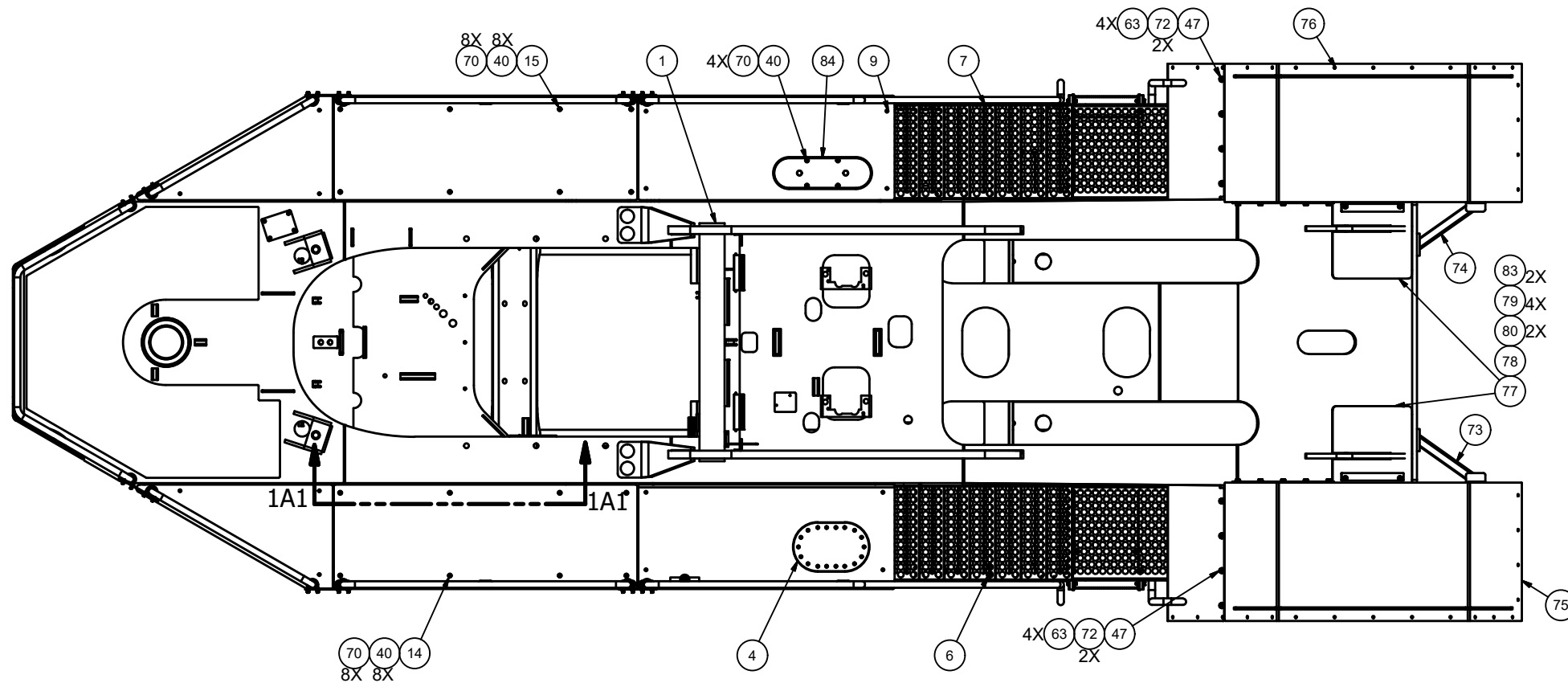
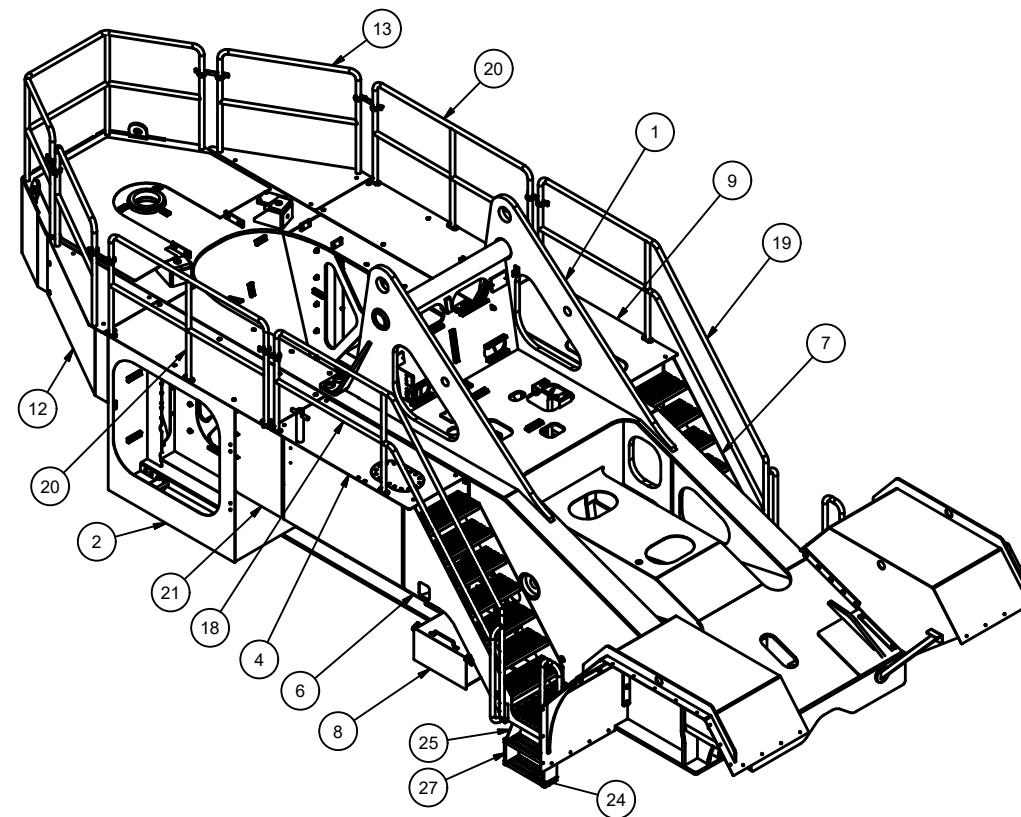
---

Chassis Installation

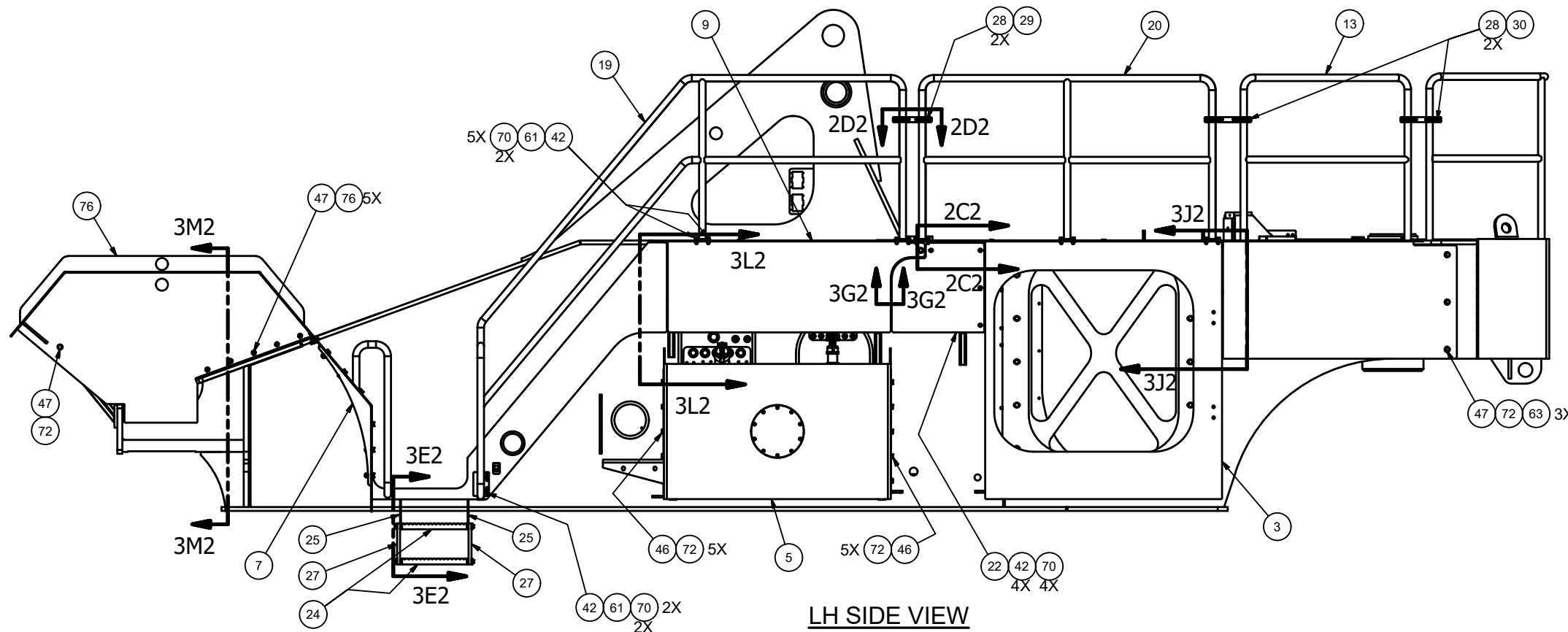
## Chassis Installation

Item	Part No.	Qty	Description	Item	Part No.	Qty	Description
	<b>600984</b>		<b>Chassis Installation</b>	24	594937	4	. Step
1	600997	1	. Chassis Weldment	25	598515	4	. Plate, Step Mount
2	601627	1	. Cooling Box, RH	26	594935	8	. Plate, Clamp
3	601628	1	. Cooling Box, LH	27	594938	4	. Belt, Support
4	* 600265	1	. Hydraulic Tank	28	598566	12	. U-Bolt, Vibration Damping
5	* 598459	1	. Fuel Tank Assembly	29	598567	2	. Plate, Handrail Clamp Mount
6	598460	1	. Stair Weldment, RH	30	601652	4	. Plate, Handrail Clamp Mount
7	598461	1	. Stair Weldment, LH	40	236805	20	. Capscrew
8	* 600633	1	. Battery Box Assembly	42	R13811210	40	. Capscrew
9	598462	1	. Walkway, LH	43	R13811213	8	. Capscrew
12	601634	1	. Rear Walkway, RH	46	241023	23	. Capscrew
13	601635	1	. Rear Walkway, LH	47	Y19C-M1650	29	. Capscrew
14	601647	1	. Plate, RH Cooler Cover	48	Y19C-M1660	31	. Capscrew
15	601648	1	. Plate, LH Cooler Cover	61	302401W	48	. Locknut
18	598518	1	. Handrail, RH Front	63	302404W	52	. Locknut
19	598519	1	. Handrail, LH Front	70	221767W	124	. Washer
20	601649	2	. Handrail, Rear	72	234271	135	. Washer
21	598526	1	. Plate, Filters Cover	84	603749	1	. Cover Plate Access
22	598527	1	. Plate, Fire Supp Tank Cover	85	Y19C-M1055	8	. Capscrew
23	598517-12	2	. Trim, Hatch Seal				

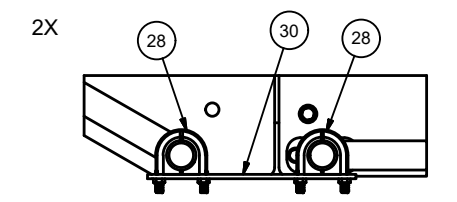
\* See Separate Coverage



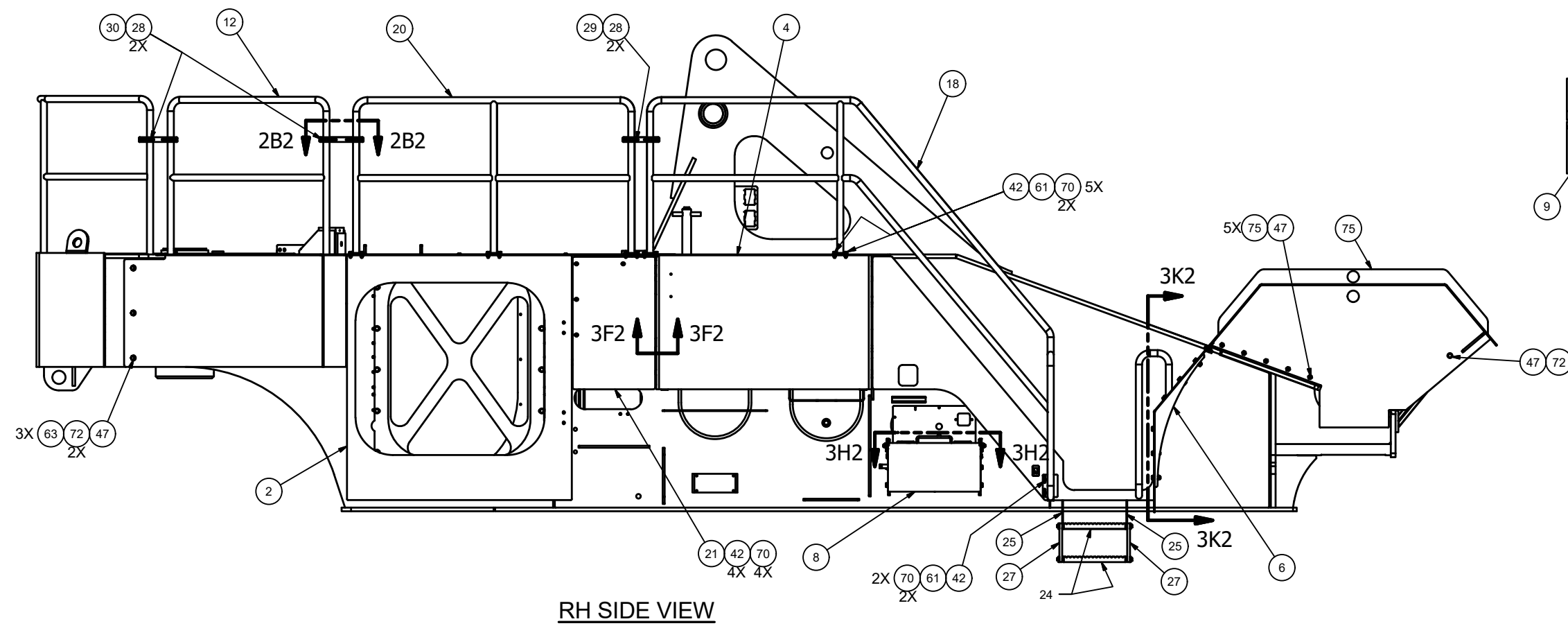
SECTION 1A1-1A1  
INSTL TYP ITEMS 2 & 3.



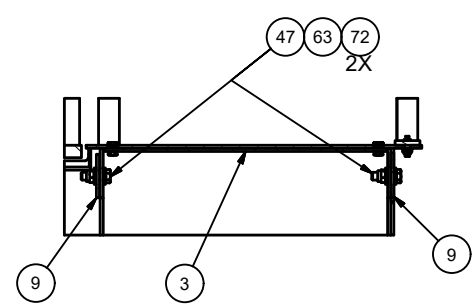
**LH SIDE VIEW**



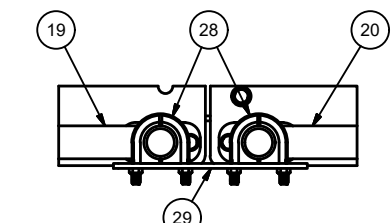
**SECTION 2B2-2B2**  
INSTL TYP ITEMS 28 & 30.



**RH SIDE VIEW**



**SECTION 2C2-2C2**



**SECTION 2D2-2D2**  
INSTL TYP ITEMS 28 & 29.

