

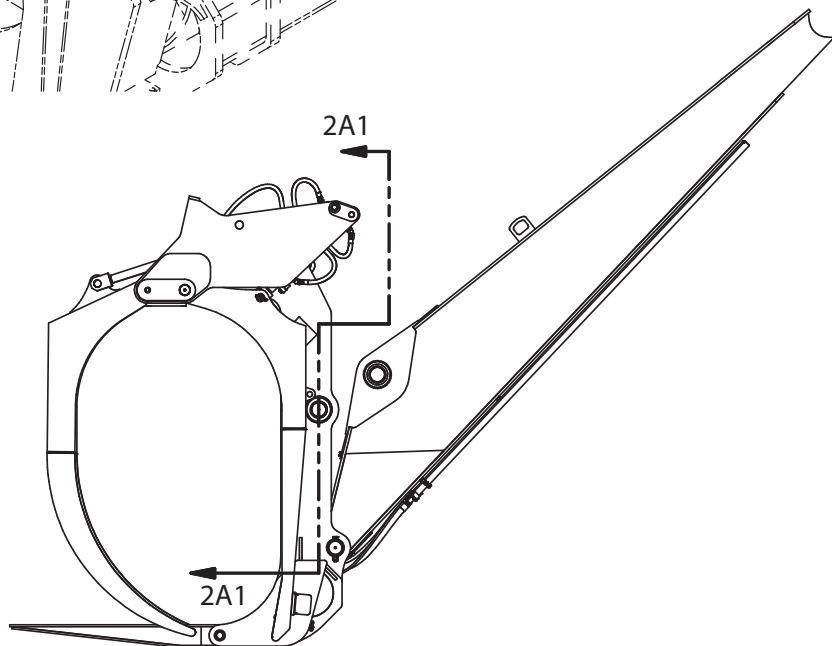
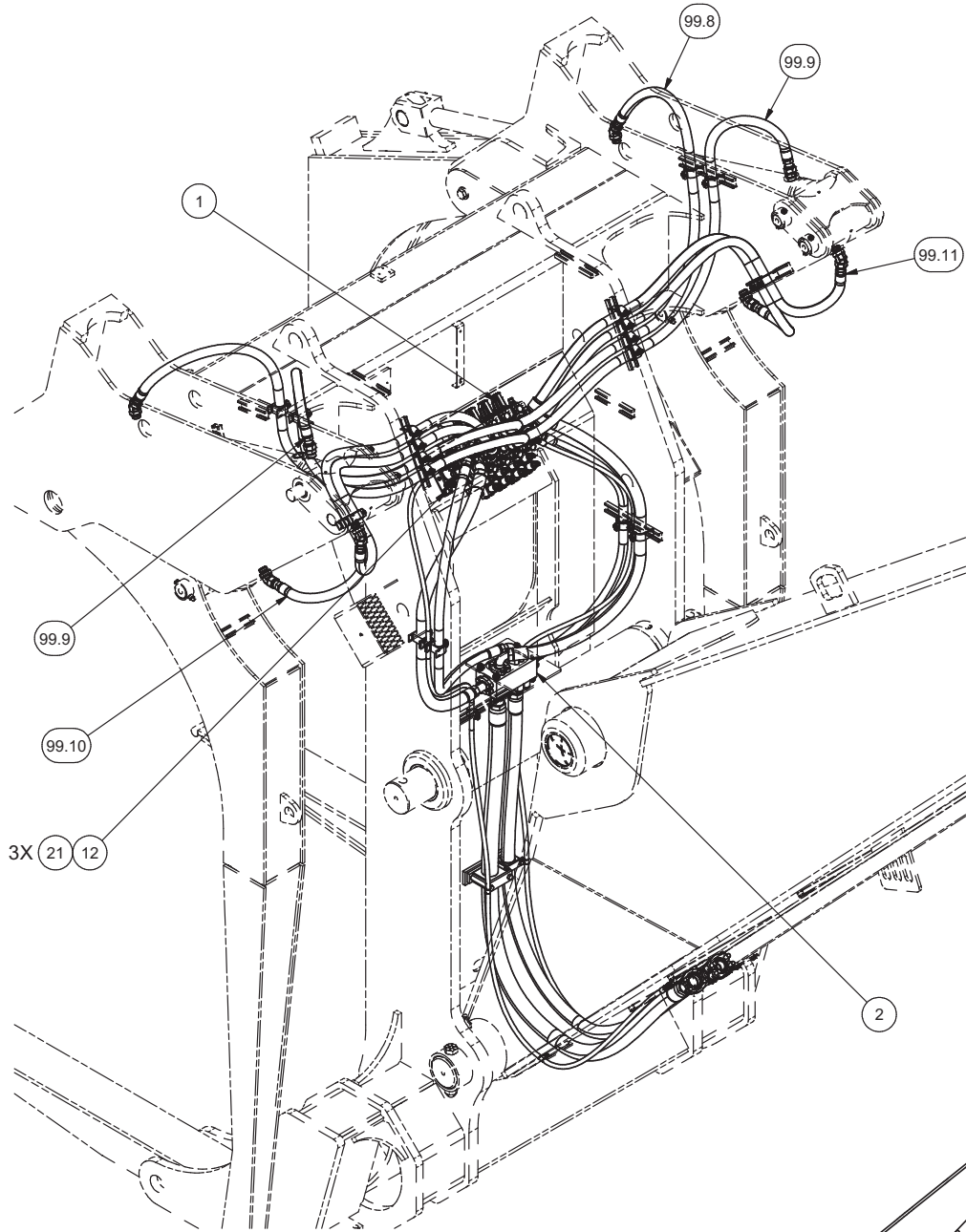
---

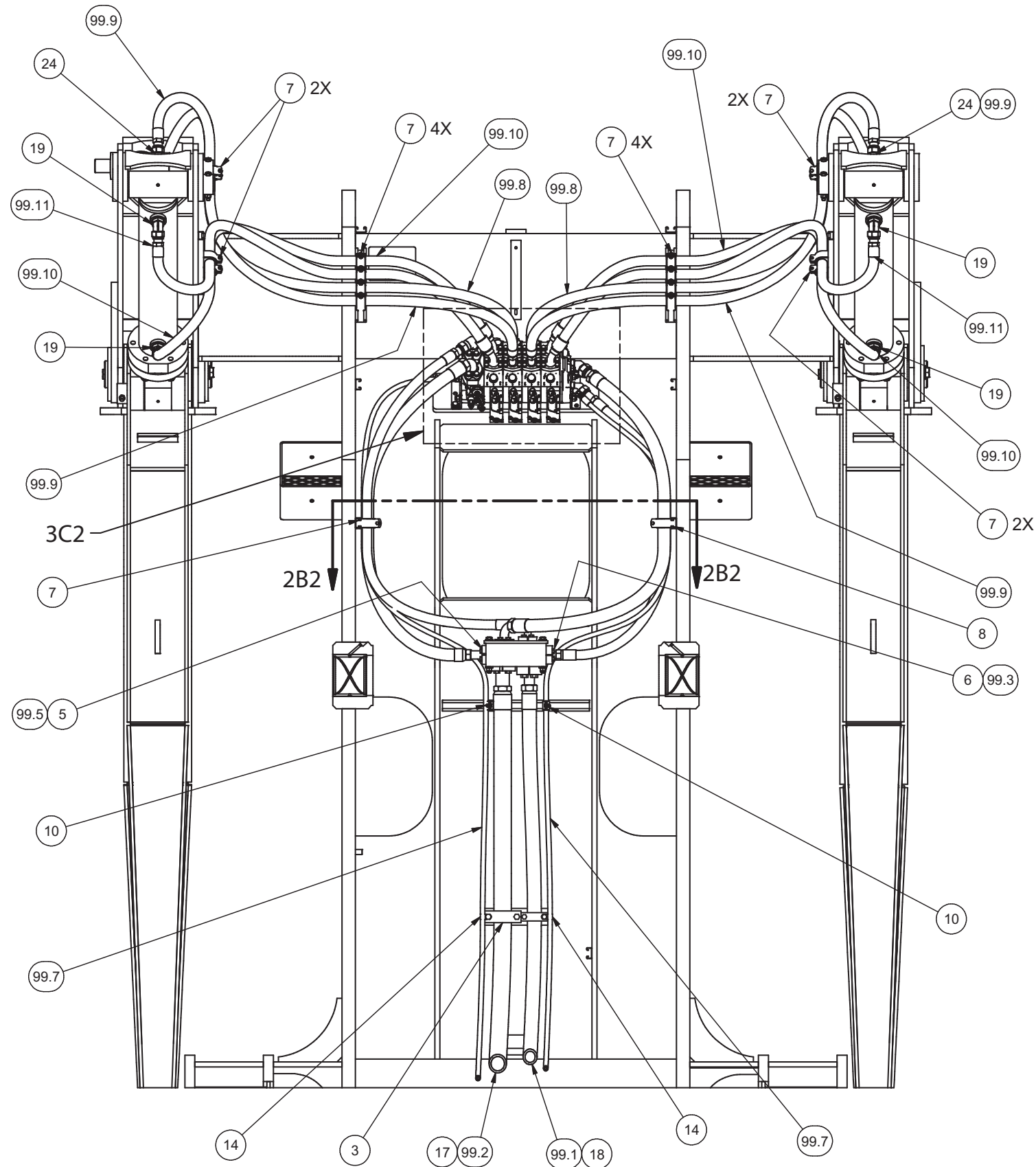
Hydraulic System - Carriage

## Hydraulic System - Carriage

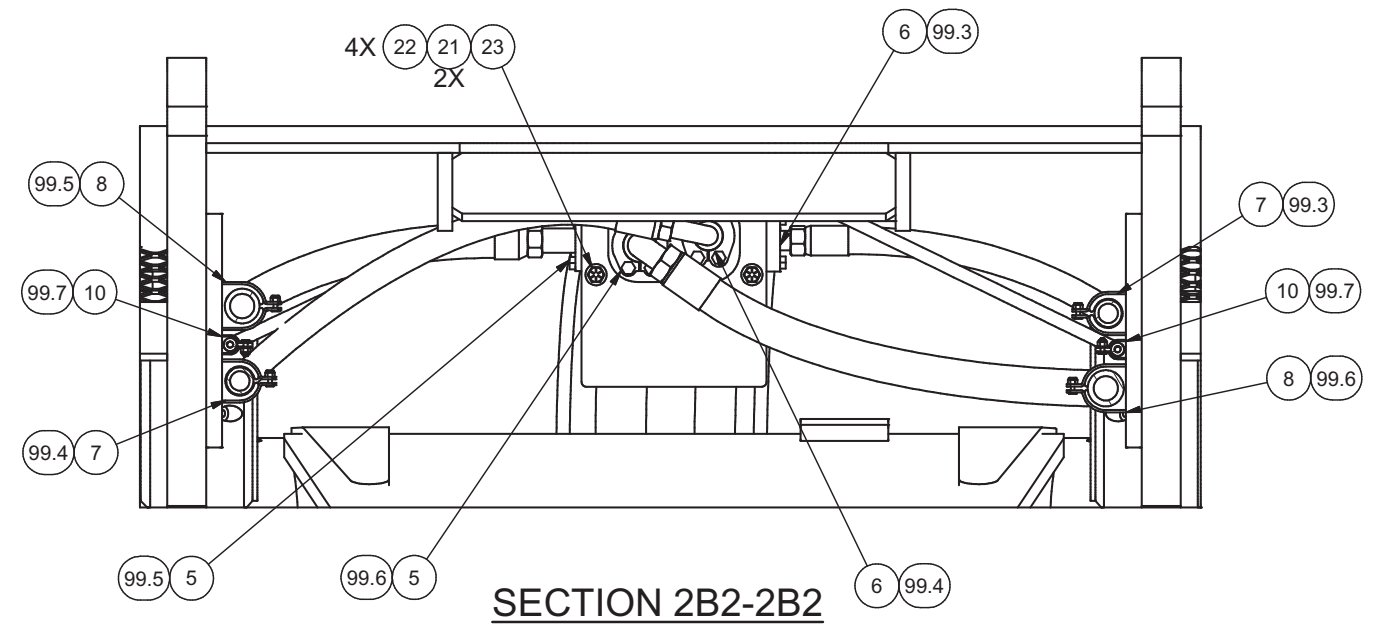
Item	Part No.	Qty	Description	Item	Part No.	Qty	Description
	<b>600977</b>		<b>Hydraulic System - Carriage</b>				
1	* 597835	1	. Valve, Hydraulic	19	R833217	7	. Fitting
2	601813	1	. Manifold, Carriage	20	R833219	1	. Fitting
3	601814	1	. Clamp	21	221771W	11	. Washer
4	75176	1	. Fitting	22	223587	4	. Locknut
5	11740	3	. Kit, Split Flange	23	218592W	4	. Capscrew
6	229448	3	. Kit, Split Flange	24	231444	2	. Fitting
7	231248	18	. Clamp	25	211563	1	. Fitting
8	CLP0100175	2	. Clamp, Hydra-Zorb	99	601944	1	. Kit, Hose
9	231440	1	. Fitting	99.1	601818	1	.. Hose Assembly
10	238429	4	. Clamp	99.2	601817	1	.. Hose Assembly
11	R833204	1	. Fitting	99.3	601932	1	.. Hose Assembly
12	293644W	3	. Capscrew	99.4	601933	1	.. Hose Assembly
13	11759	8	. Kit, Split Flange	99.5	601934	1	.. Hose Assembly
	203443	1	.. O-Ring	99.6	601938	1	.. Hose Assembly
14	2526539	4	. Clip, Insulated	99.7	601939	2	.. Hose Assembly
15	601815	1	. Fitting	99.8	602237	2	.. Hose Assembly
16	15243	1	. Fitting	99.9	601941	2	.. Hose Assembly
17	12721	2	. Kit, Split Flange	99.10	601942	2	.. Hose Assembly
	203519	1	.. O-Ring	99.11	601943	2	.. Hose Assembly
18	229450	2	. Kit, Split Flange				
	203516	1	.. O-Ring				
	234893	4	.. Capscrew				
	236974	2	.. Clamp Half				

\* See Separate Coverage





**SECTION 2A1-2A1**  
SOME PARTS REMOVED FOR CLARITY



**SECTION 2B2-2B2**

