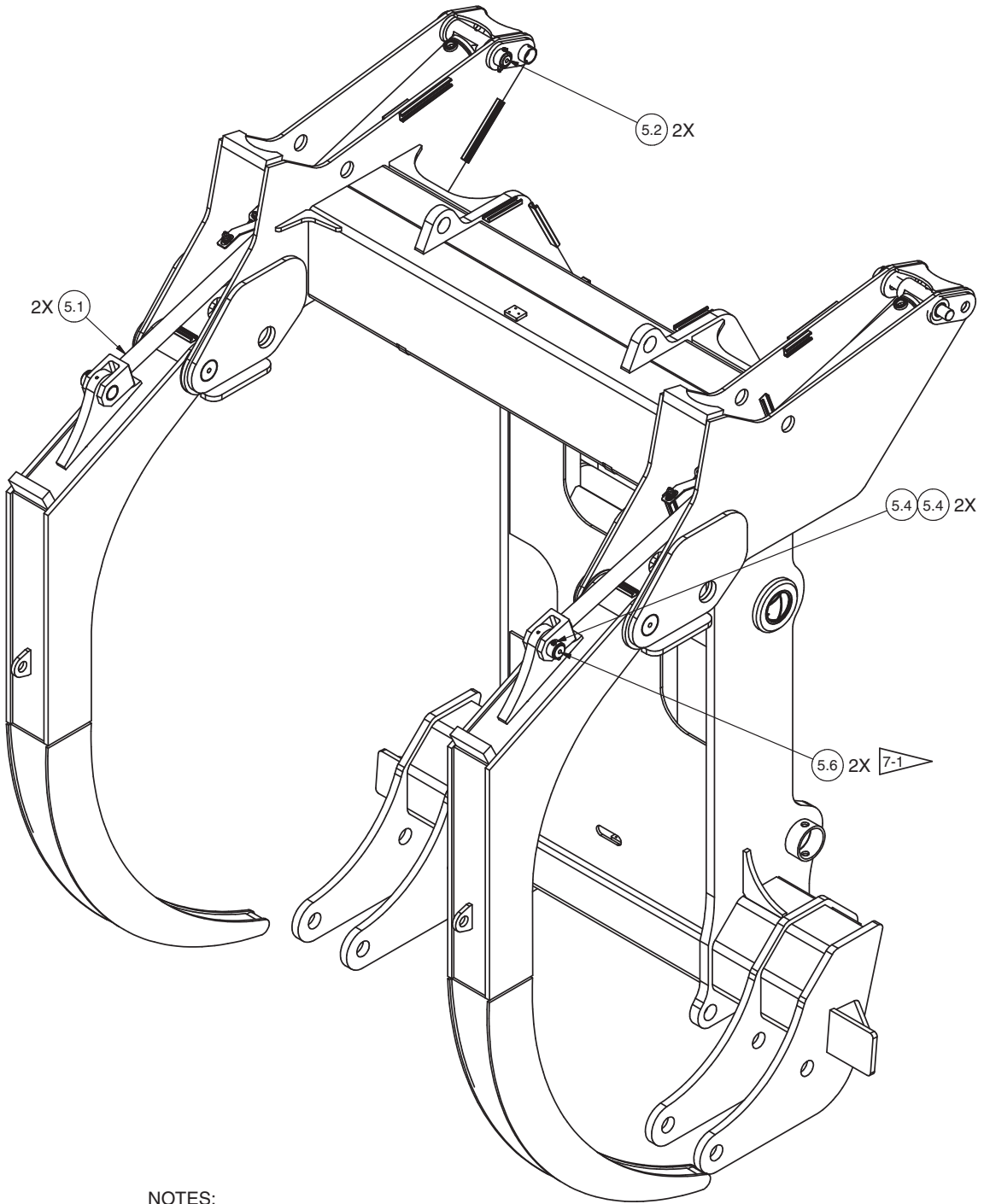


Holddown Cylinder Installation



NOTES:

 ORIENT ALL CYLINDER LOCK COLLARS OUTBARD OF MACHINE.

Item	Part No.	Qty	Description	Item	Part No.	Qty	Description
	600975		Holddown Cylinder Installation				
5.1	* 601915	2	. Cylinder Assembly	5.4	R13811085	4	. Capscrew
5.2	598679	2	. Pin	5.5	223587	4	. Locknut
5.3	598688	2	. Pin				

* See Separate Coverage