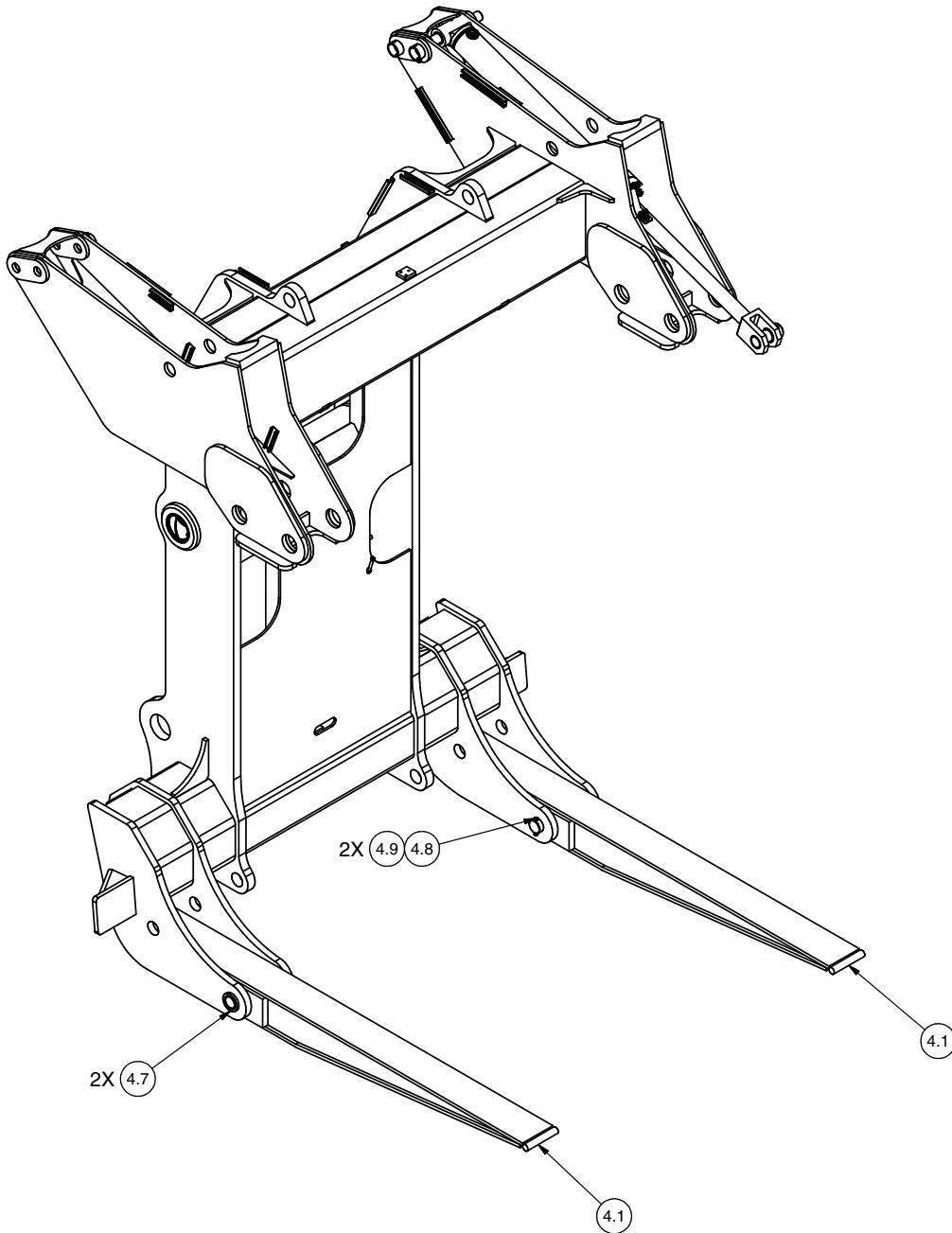


---

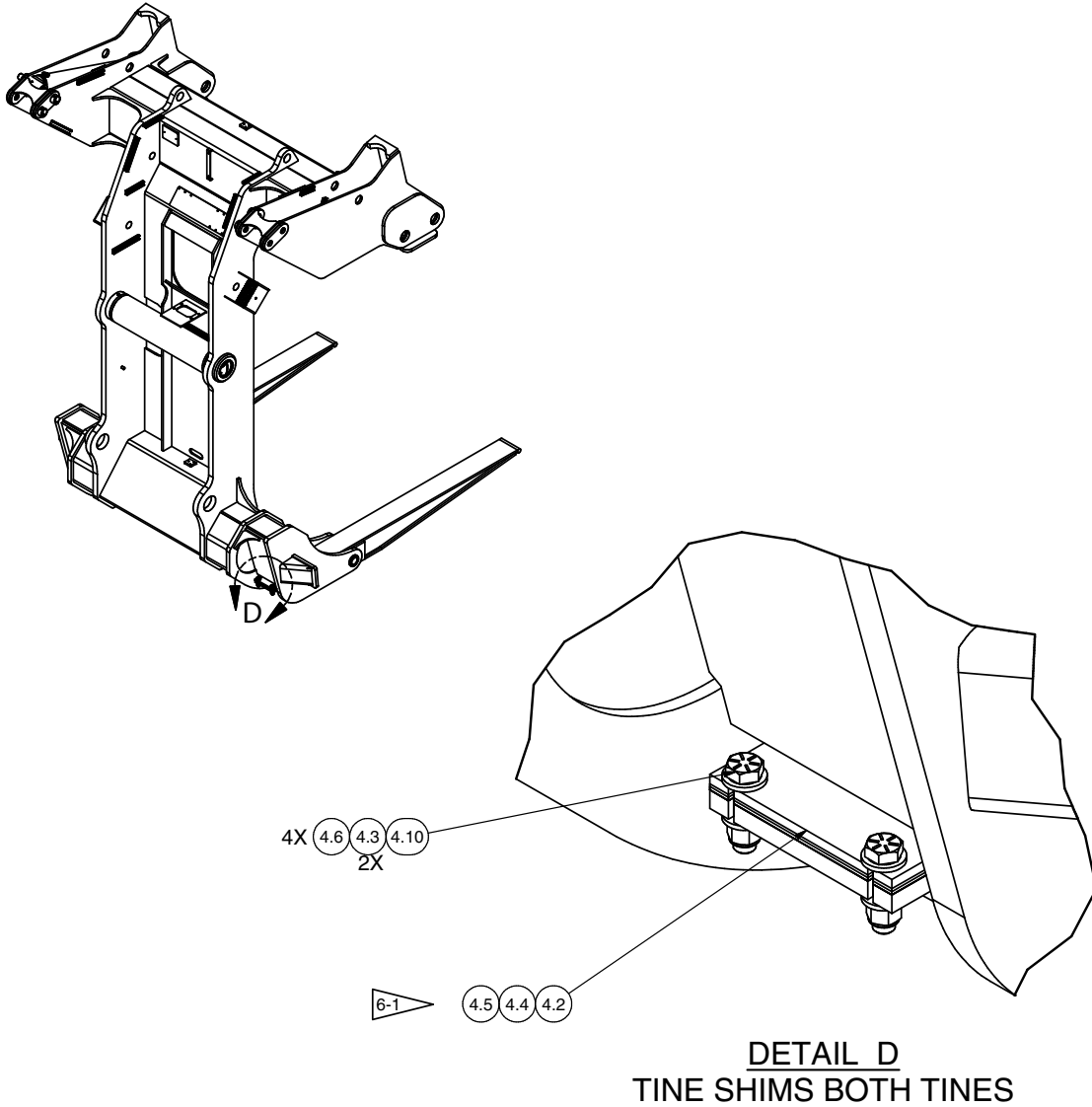
Tine Installation, Pivot

## Tine Installation, Pivot

| Item                                   | Part No.  | Qty | Description | Item | Part No.  | Qty | Description              |
|--|-----------|-----|-------------|------|-----------|-----|--------------------------|
| <b>600974 Tine Installation, Pivot</b> |           |     |             |      |           |     |                          |
| 4.1                                    | 601902    | 2   | . Tine      | 4.6  | 223587    | 2   | . Locknut                |
| 4.2                                    | 601913    | 2   | . Pin, Tine | 4.7  | R13811196 | 4   | . Locknut                |
| 4.3                                    | 177192W   | 4   | . Capscrew  | 4.8  | 601909    | 2   | . Plate, Tine Shim 0.13" |
| 4.4                                    | R13811084 | 2   | . Capscrew  | 4.9  | 601910    | 2   | . Plate, Tine Shim 0.25" |
| 4.5                                    | 221777W   | 8   | . Washer    | 4.10 | 601911    | 2   | . Plate, Tine Shim 0.63" |



# Tine Installation, Pivot



## NOTES:

- 6-1 SHIM TINE TIPS AS REQUIRED TO LEVEL AND INLINE WITH IN  $\pm$  0.5 INCHES
- REMOVE DIRT, LOOSE SCALE, BURRS, AND / OR PAINT FROM MATING SURFACES OF BOLTED JOINTS.