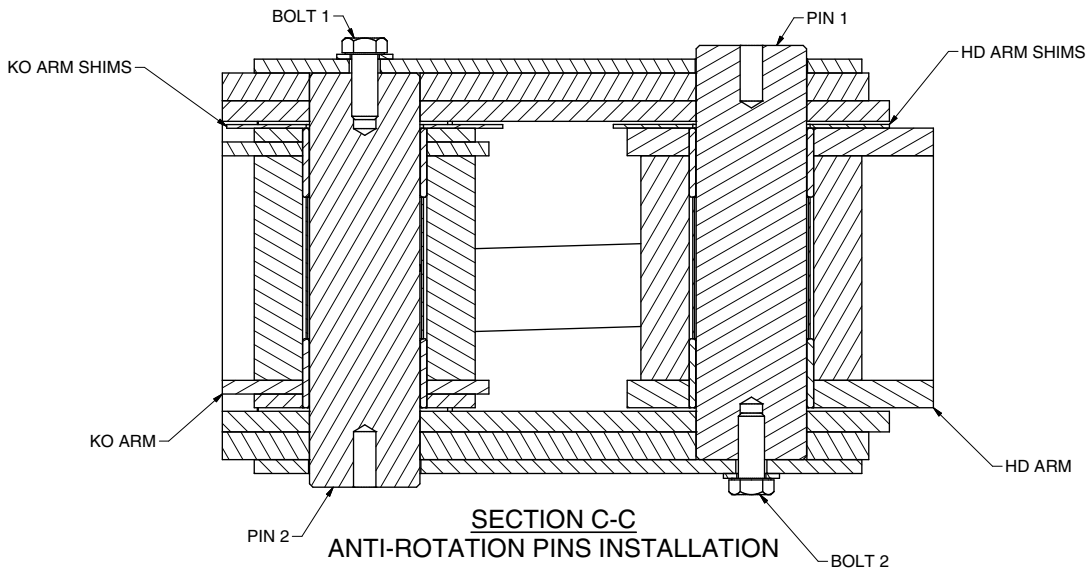
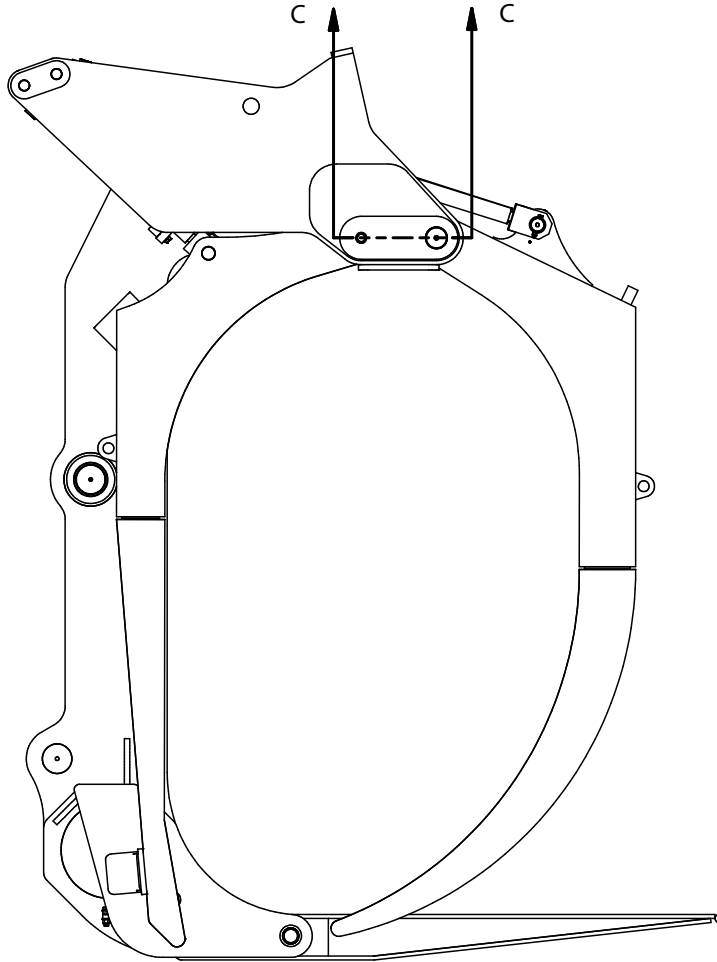
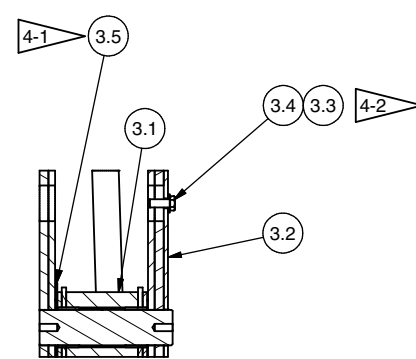
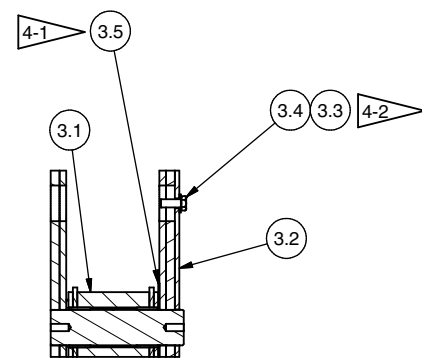
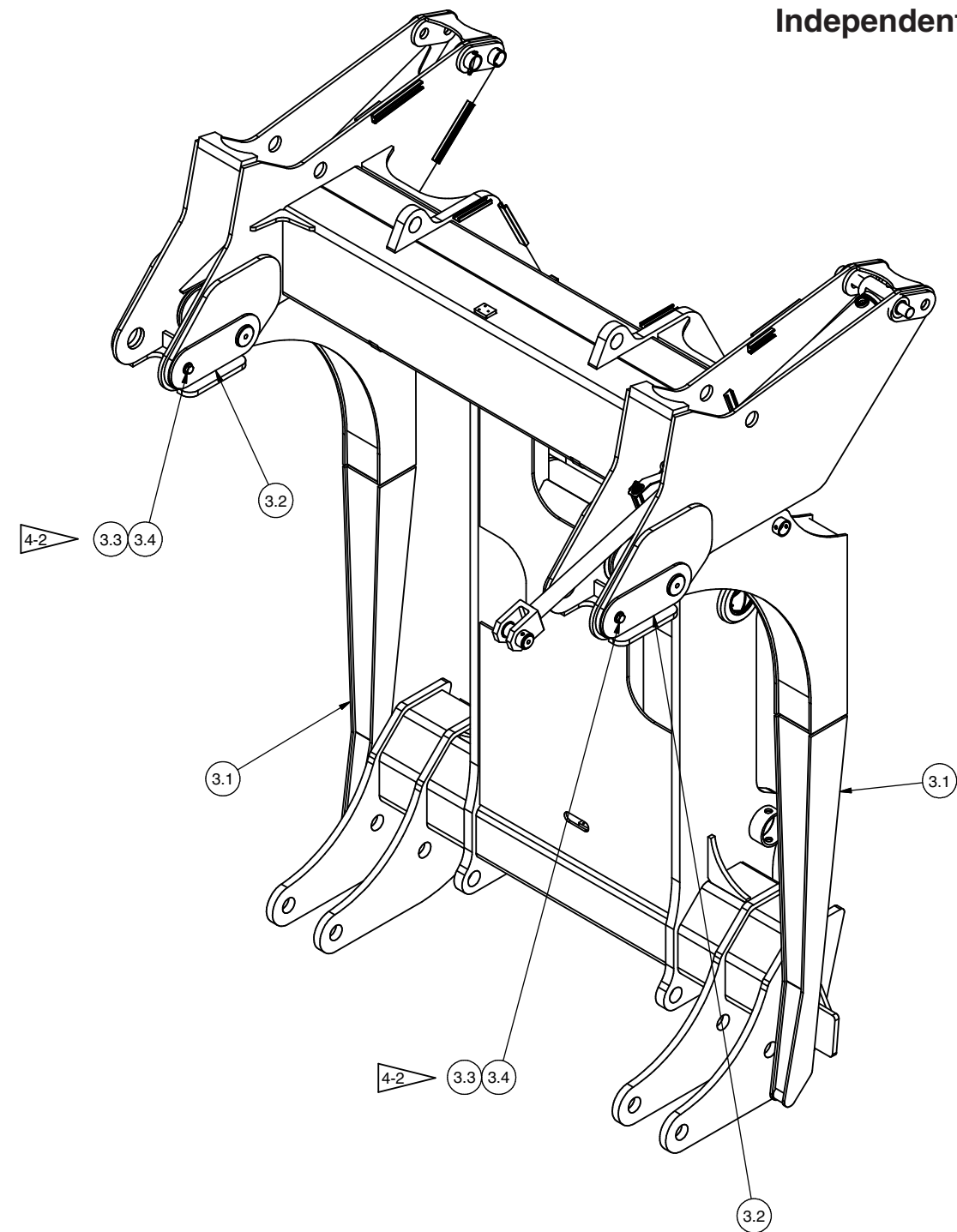
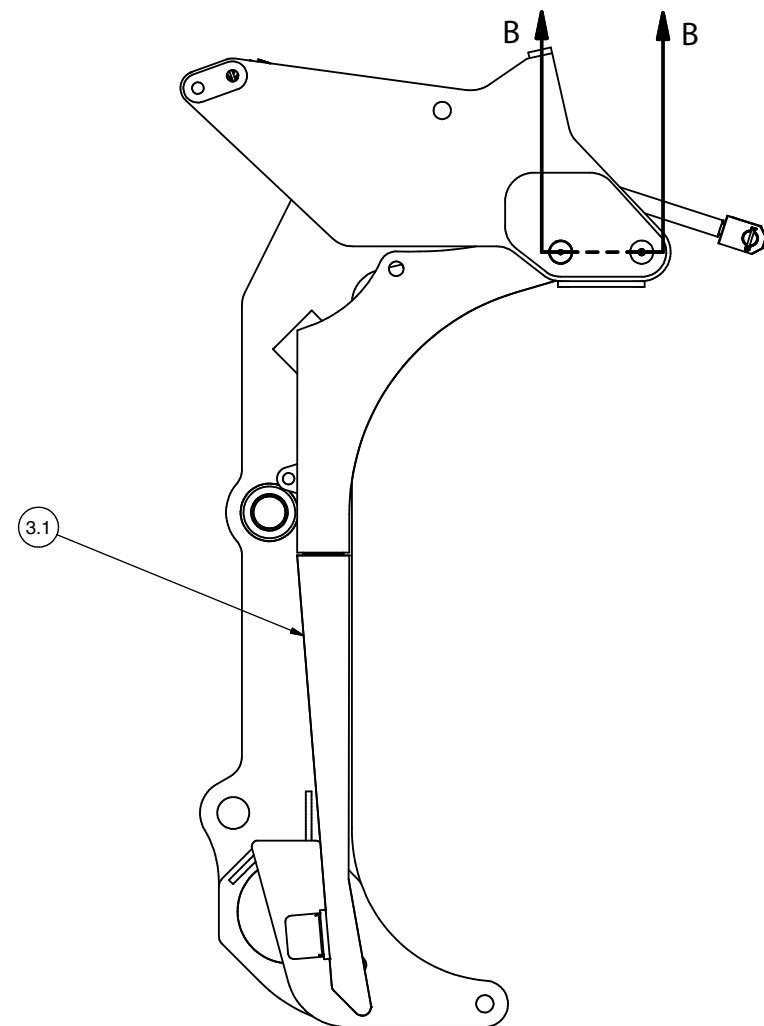

Independent Kickoff Installation

Independent Kickoff Installation

Item	Part No.	Qty	Description	Item	Part No.	Qty	Description
600973 Independent KO Installation							
3.1	* 601973	2	. KO Arm Assembly	3.4	Y17C-1632	2	. Capscrew
3.2	598663	2	. Anti Rotation Pins	3.5	550986	2	. Shim, 10GA
3.3	221780W	2	. Washer				

* See Separate Coverage





SECTION B-B

NOTES:

4-1 SHIM ARMS AS REQUIRED TO OBTAIN MAXIMUM OF 1/8 INCH GAP.
ALL SHIM ARE TO BE PLACED TOWARDS CARRIAGE CENTERLINE.