

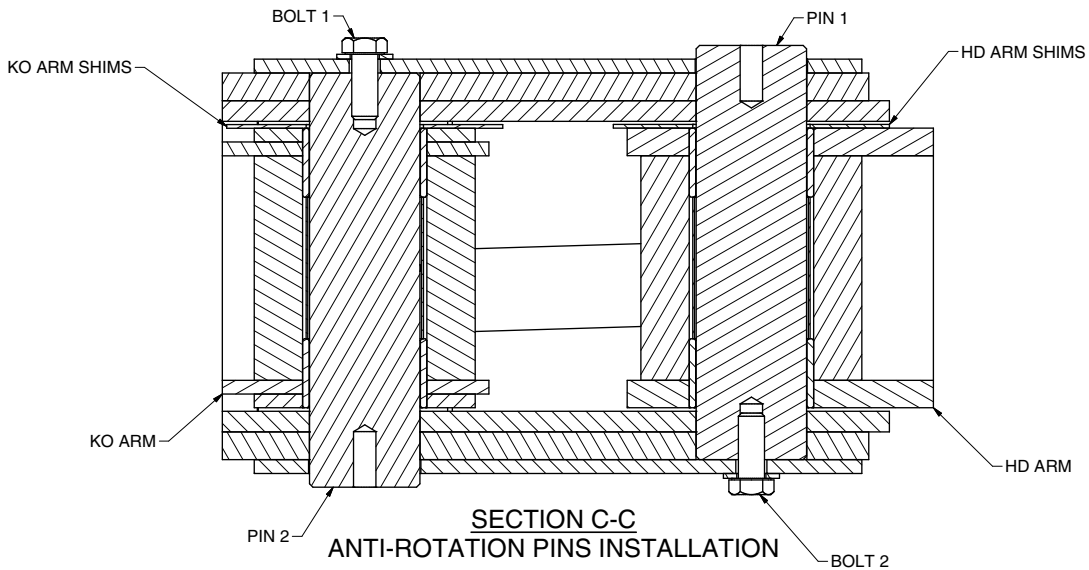
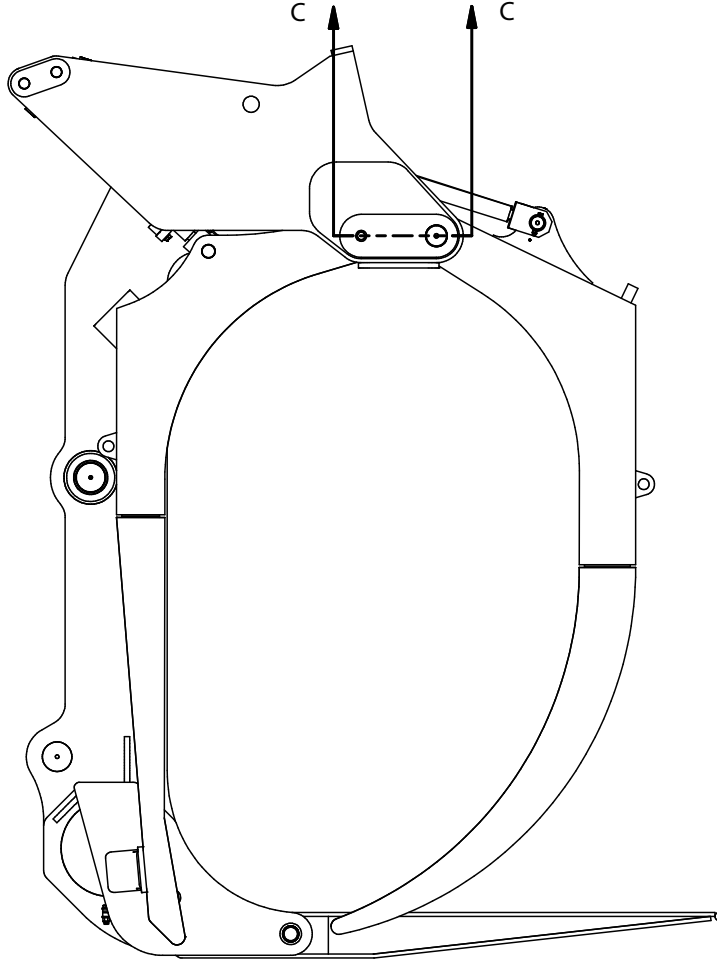
---

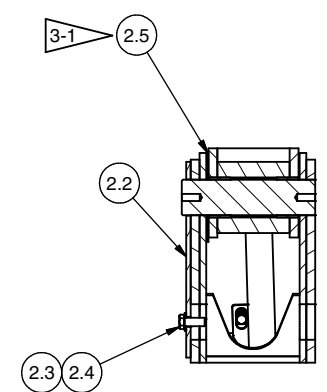
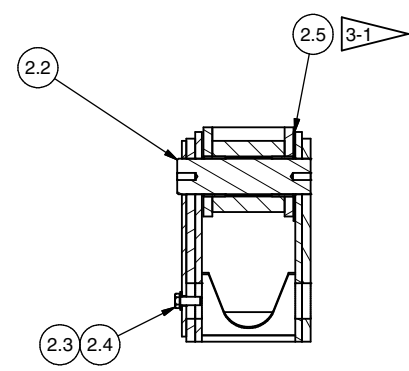
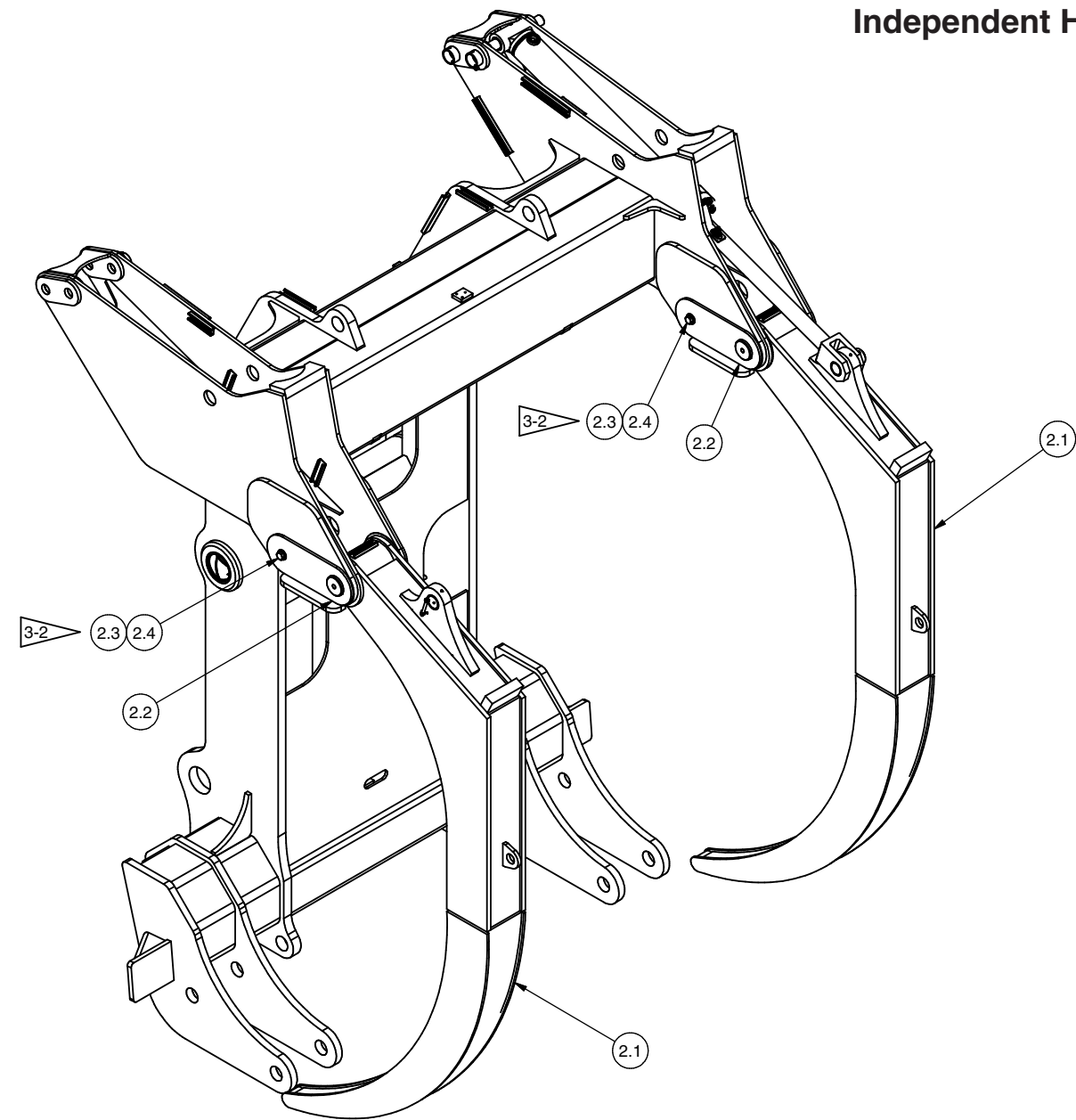
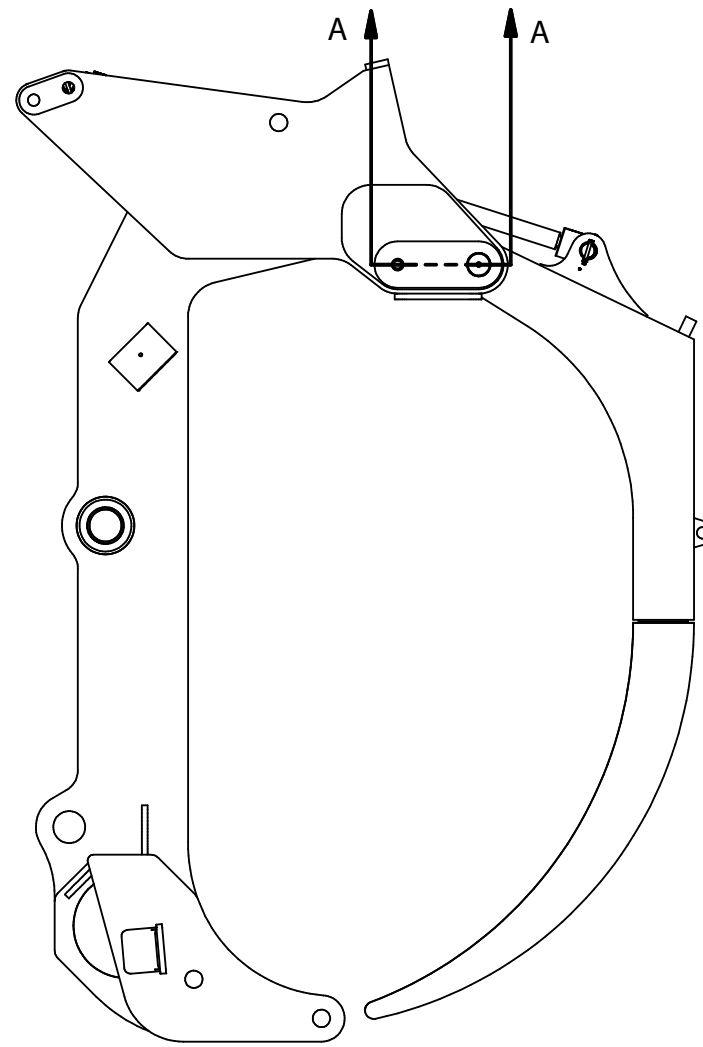
Independent Holddown Installation

# Independent Holddown Installation

Item	Part No.	Qty	Description	Item	Part No.	Qty	Description
<b>600972 Independent HD Installation</b>							
2.1	* 601967	2	. HD Arm Assembly	2.4	Y17C-1632	2	. Capscrew
2.2	598663	2	. Anti Rotation Pins	2.5	550986	2	. Shim, 10GA
2.3	221780W	2	. Washer				

\* See Separate Coverage





**SECTION A-A**

**NOTES:**

3-1 SHIM ARMS AS REQUIRED TO OBTAIN MAXIMUM OF 1/8 INCH GAP.  
ALL SHIM ARE TO BE PLACED TOWARDS CARRIAGE CENTERLINE.