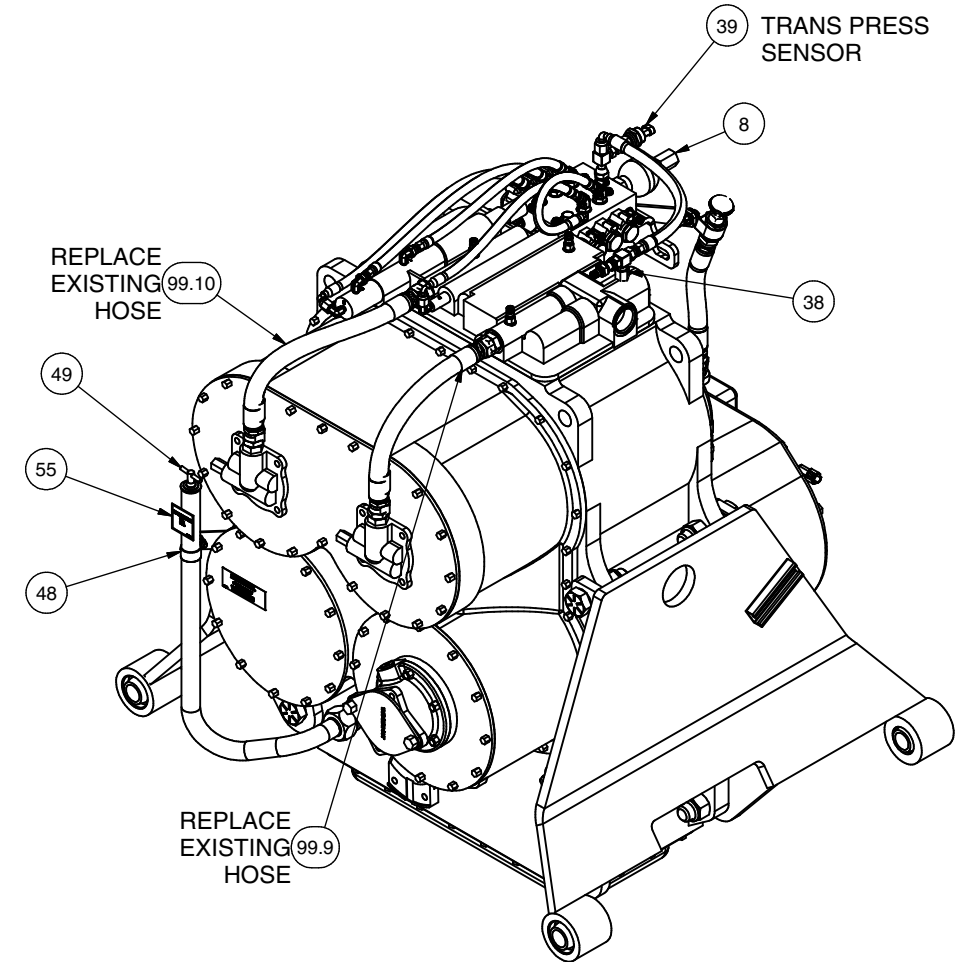
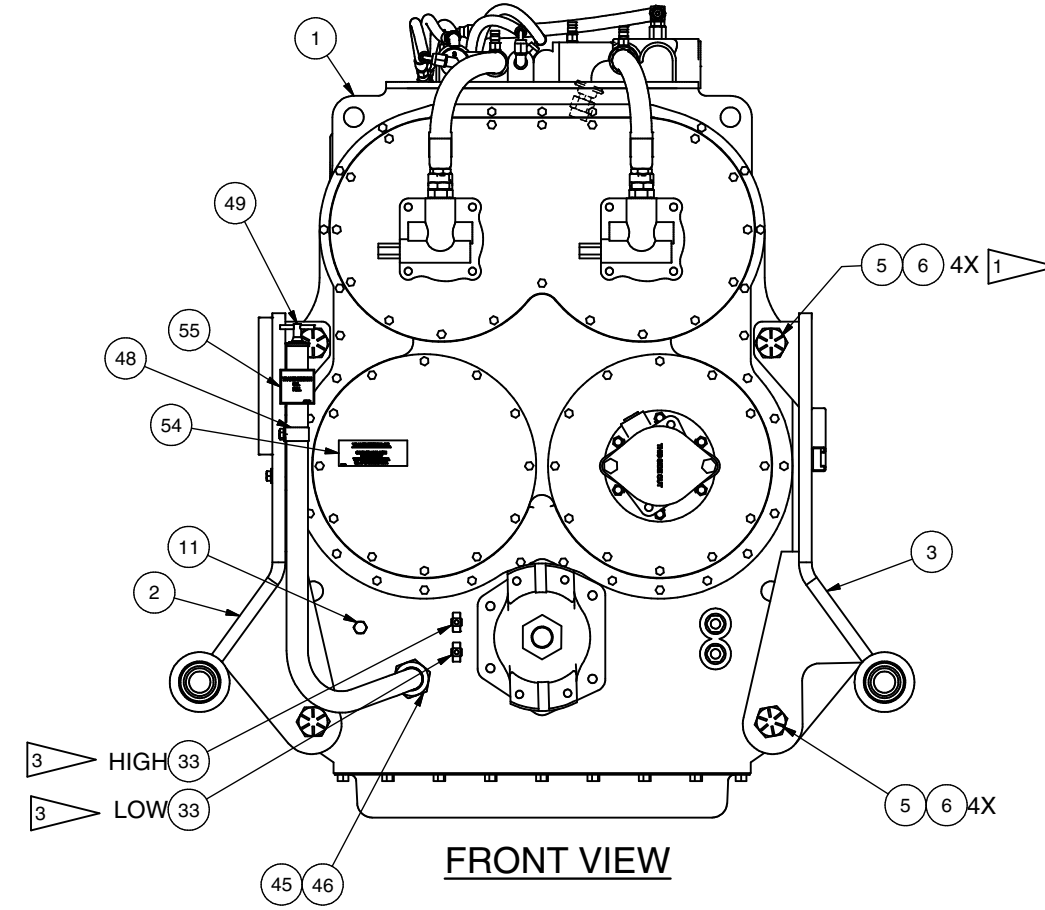
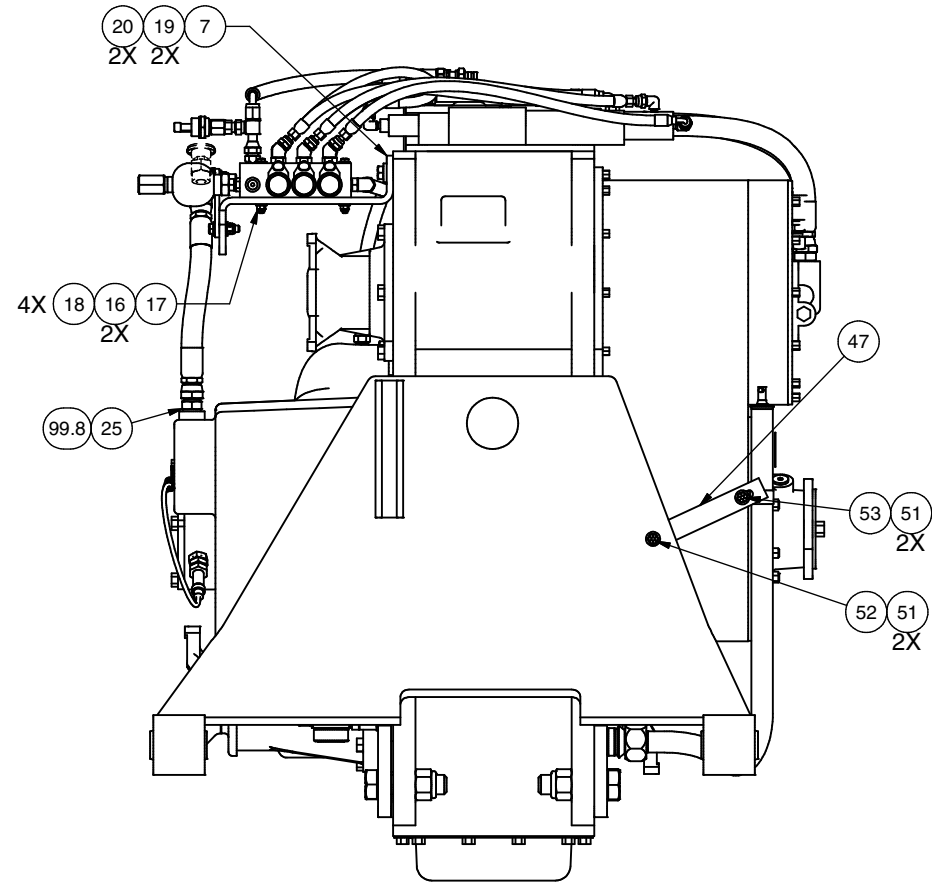

Transmission Assembly

Transmission Assembly

Item	Part No.	Qty	Description	Item	Part No.	Qty	Description
	600962		Transmission Assembly				
1	* 596732	1	. Transmission	33	203056	2	. Draincock
2	568040	1	. Trans Mounting Assembly, RH	34	589161	4	. Plate, Shim, 0.060"
	219005	2	.. Bushing	35	589162	4	. Plate, Shim, 0.134"
3	568084	1	. Trans Mounting Assembly, LH	36	231955	1	. Fitting
	219005	2	.. Bushing	37	74577	1	. Fitting
5	2303199W	8	. Capscrew	38	247606	1	. Fitting
6	245857	8	. Locknut	39	246905	1	. Sensor, Press Transducer
7	598024	1	. Bracket, Guard Driveline	40	592052	1	. Plug
8	* 598028	1	. Manifold, Assembly	41	600284	1	. Plate, Breather Mounting
9	R833201	5	. Fitting	42	582201	1	. Fitting
10	R833550	5	. Fitting	43	587434	1	. Sensor, Digital Speed
11	209916	1	. Fitting	44	R13803022	1	. Clip, Insulated
12	212762	1	. Fitting	45	225025	1	. Fitting
13	209505	1	. Fitting	46	577682	1	. Tube Assembly
14	231954	1	. Fitting	47	568504	1	. Plate
15	R13808095	1	. Clip, Insulated	48	R2528352	1	. Clip, Insulated
16	221763W	8	. Washer	49	569908	1	. Dipstick, Trans Oil
17	15113W	4	. Locknut	50	601604	1	. Fitting
18	R13801788	4	. Capscrew	51	221767W	10	. Washer
19	200454W	2	. Capscrew	52	R13801813	1	. Capscrew
20	221771W	3	. Washer	53	Y17C-0616	1	. Capscrew
21	R13801840	1	. Capscrew	54	528880	1	. Decal, Trans Oil Level/Idle
22	Y17C-0624	3	. Capscrew	55	557118	1	. Decal, Trans Oil Fill
23	237567	5	. Locknut	99	601598	1	. Kit, Hose, Trans Assembly
24	R13808111	1	. Clip, Insulated	99.1	601605	1	.. Hose Assembly
25	209759	1	. Fitting	99.2	595595	1	.. Hose Assembly
26	255560	1	. Fitting	99.3	598128	1	.. Hose Assembly
27	12721	1	. Kit, Split Flange	99.4	598018	1	.. Hose Assembly
	203519	1	.. O-Ring	99.5	598019	1	.. Hose Assembly
28	R14040	3	. Coupler, Male	99.6	598020	1	.. Hose Assembly
29	209382	1	. Fitting	99.7	598022	1	.. Hose Assembly
30	231846	1	. Fitting	99.8	17037	1	.. Hose Assembly
31	598026	1	. Coupler QD, Male	99.9	600557	1	.. Hose Assembly
32	R833257	1	. Fitting	99.10	600558	1	.. Hose Assembly

* See Separate Coverage



NOTES:

- 1 ▸ ITEMS 34 & 35 ARE NOT SHOWN. SHIMS ARE USED AS REQUIRED TO TAKE UP GAP BETWEEN TRANSMISSION AND MOUNT.
- 2 ▸ SET SENSOR CLEARANCE GAP AT .010 BETWEEN SENSOR FACE AND GEAR TEETH. BY REMOVING COVER AND ADJUSTING SENSOR DEPTH. SEE DOC TAB OF P/N 587433 FOR MFR ADJUSTMENT RECOMMENDATION.
- 3 ▸ STAMP DIPSTICK ITEM 50 TO MATCH "HIGH" AND "LOW" OIL PORTS ON TRANSMISSION.

