

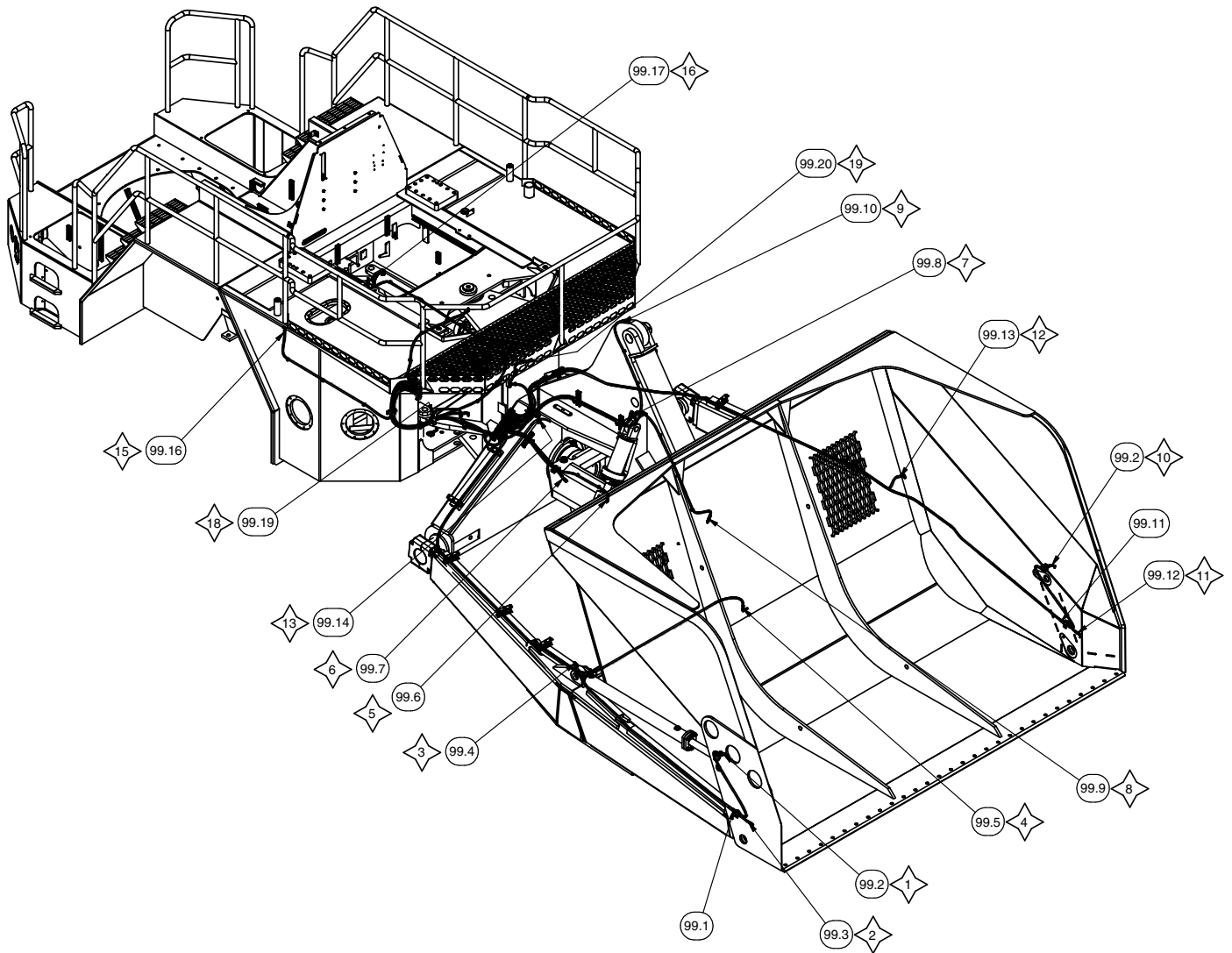
---

Lube System, Central

## Lube System, Central

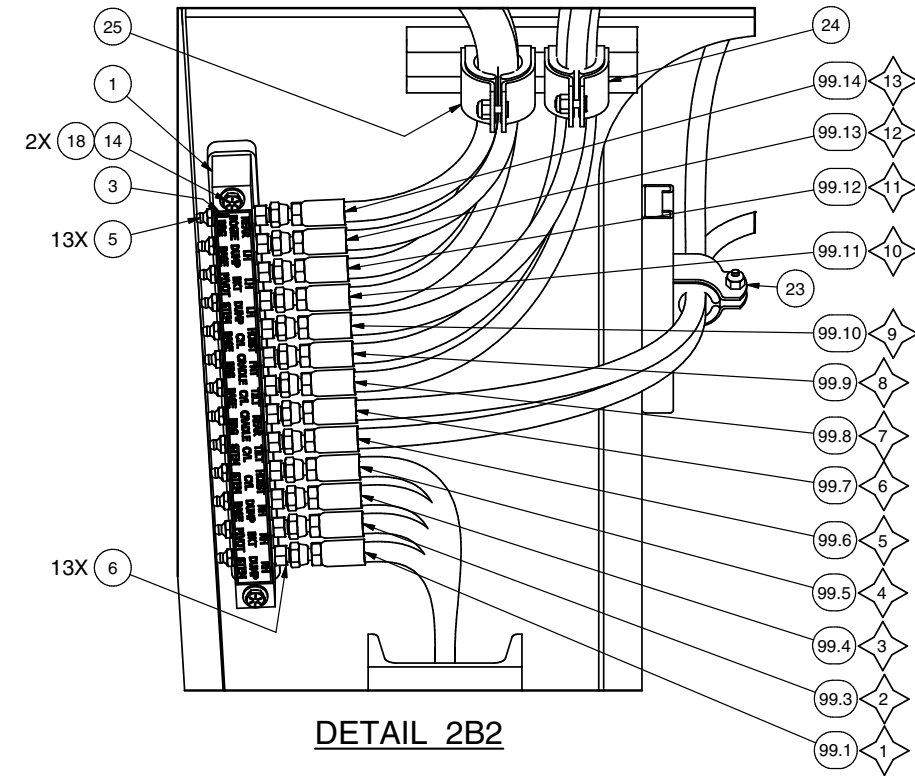
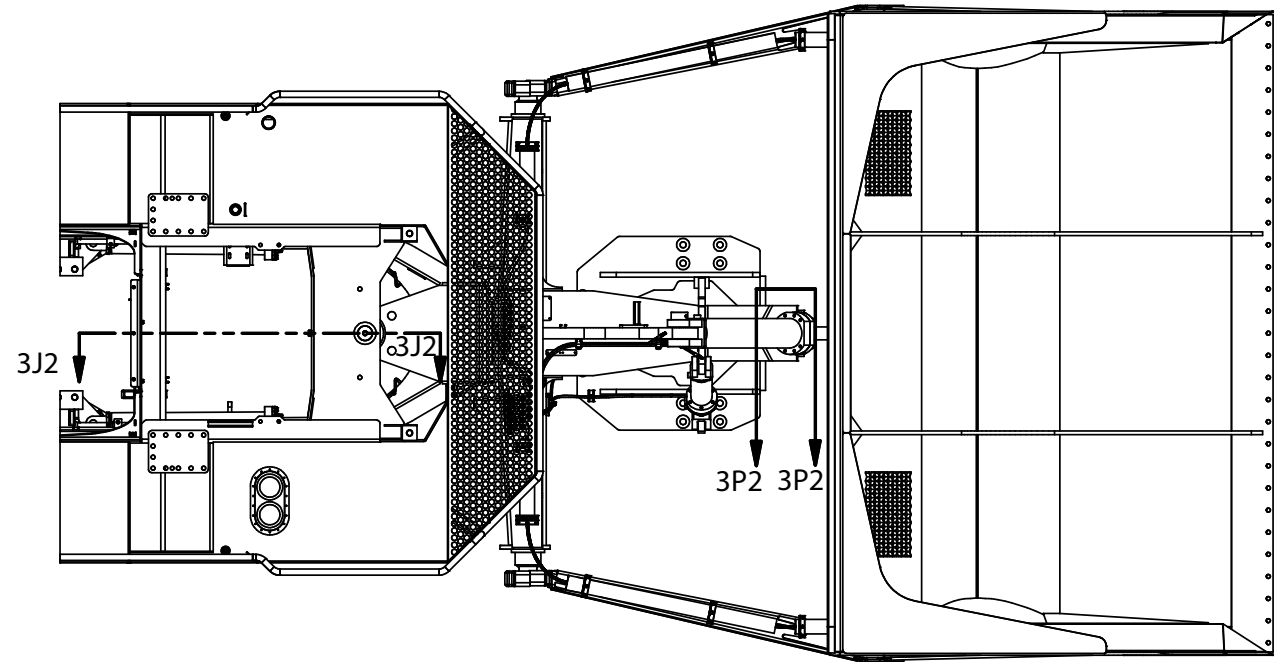
Item	Part No.	Qty	Description	Item	Part No.	Qty	Description
	<b>600959</b>		<b>Lube System, Central</b>				
1	601562	1	. Manifold, Lube	26	231248	1	. Clamp
2	601563	1	. Manifold, Lube	27	211790	10'	. Spiral Wrap
3	601566	1	. Decal, Lube Manifold	28	209406	4	. Fitting
4	601567	1	. Decal, Lube Manifold	29	212300	1	. Fitting
5	16001W	19	. Fitting, Lube	99	601559	1	. Kit, Hose
6	209750	21	. Fitting	99.1	601556	1	.. Hose Assembly
7	209790	1	. Fitting	99.2	241686	2	.. Hose Assembly
8	209405	9	. Fitting	99.3	598775	1	.. Hose Assembly
9	230918	2	. Fitting	99.4	249796	1	.. Hose Assembly
10	R13801760	2	. Fitting	99.5	600841	1	.. Hose Assembly
11	229122	1	. Fitting, Relief	99.6	233717	1	.. Hose Assembly
12	595326	25	. Mount, Tack	99.7	229554	1	.. Hose Assembly
13	249329	25	. Cable Tie	99.8	232674	1	.. Hose Assembly
14	R13810997	4	. Capscrew	99.9	250441	1	.. Hose Assembly
15	162572W	2	. Capscrew	99.10	233716	1	.. Hose Assembly
16	R13811181	2	. Locknut	99.11	601558	1	.. Hose Assembly
17	237567	2	. Locknut	99.12	598776	1	.. Hose Assembly
18	221763W	8	. Washer	99.13	240191	1	.. Hose Assembly
19	219321	2	. T-Bolt Clamp	99.14	227473	1	.. Hose Assembly
20	R13803034	2	. Clip, Insulated	99.15	24980	1	.. Hose Assembly
21	R2528352	4	. Clip, Insulated	99.16	588238	1	.. Hose Assembly
22	231251	1	. Clamp	99.17	233718	1	.. Hose Assembly
23	231296	5	. Clamp	99.18	250265	1	.. Hose Assembly
24	231250	3	. Clamp	99.19	241230	1	.. Hose Assembly
25	231249	2	. Clamp	99.20	14718	1	.. Hose Assembly

# Lube System, Central

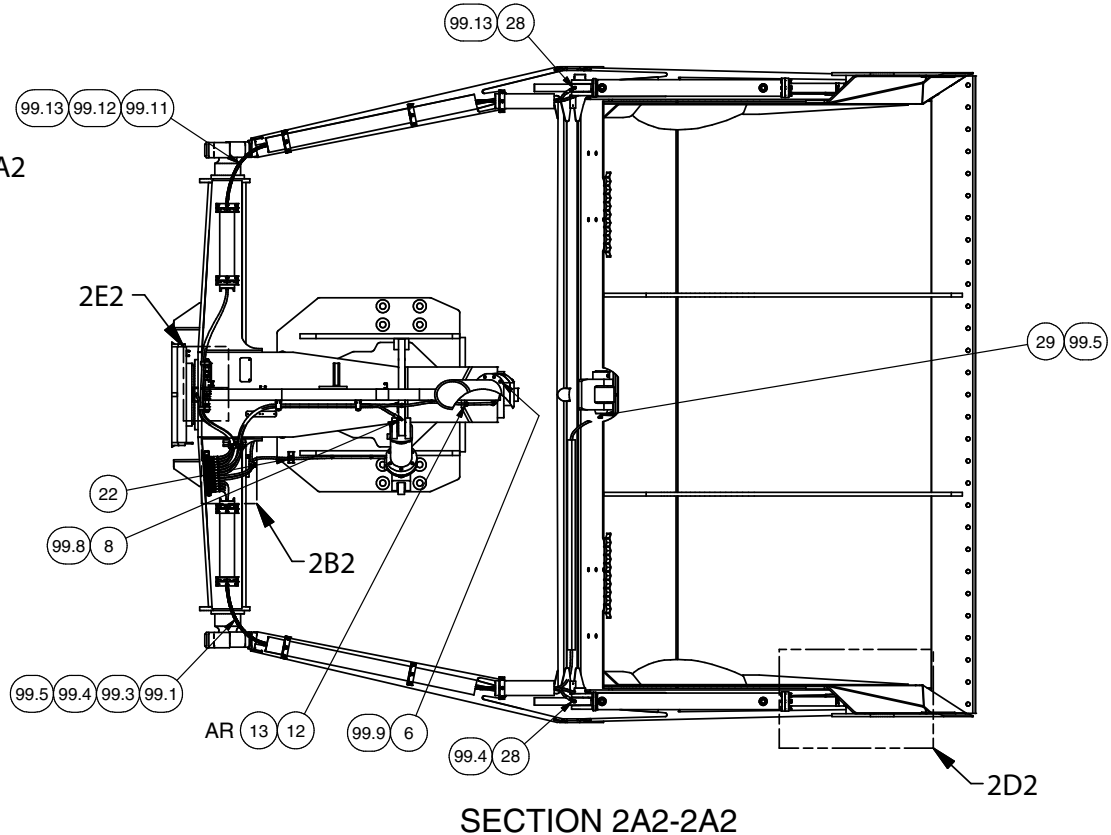
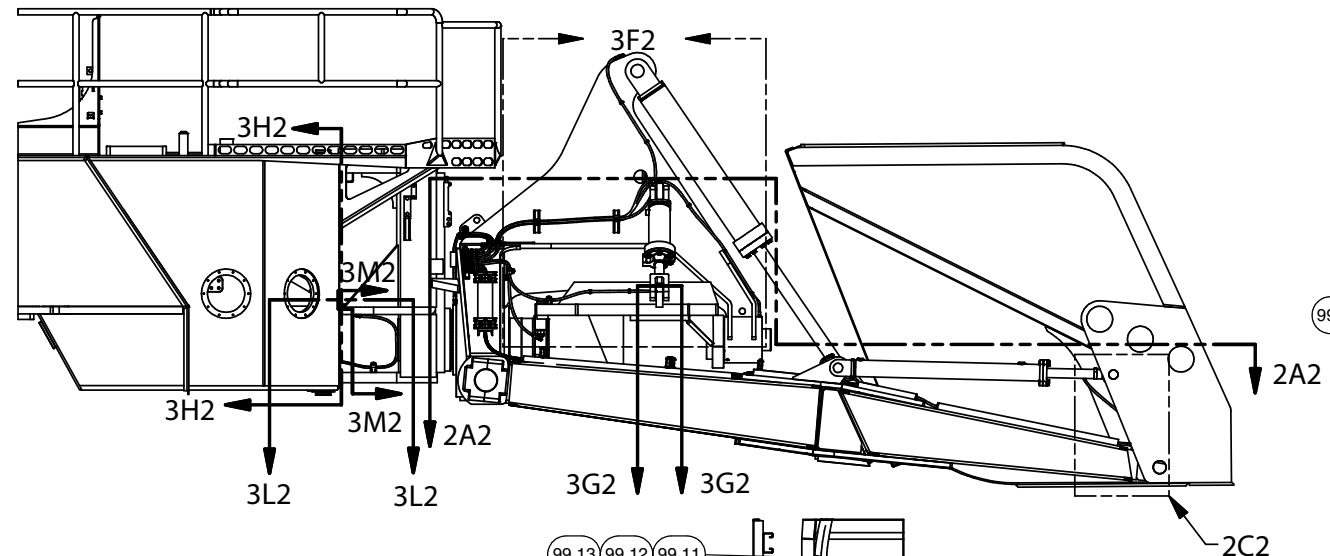


◆ & THE ROUTING TABLE DETAIL GREASE POINTS.  
 USE ROUTING TABLE WHEN INSTALLING ITEM 99 (HOSE KIT).

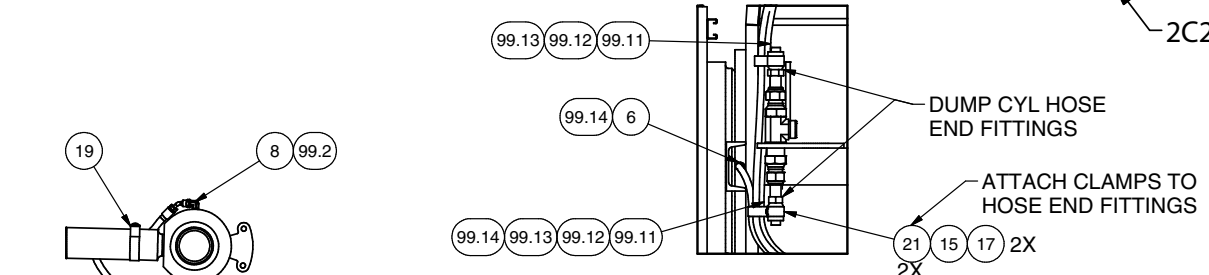
GREASE POINT	DESCRIPTION
1	RH DUMP CYLINDER STEM
2	RH BUCKET PIVOT
3	RH DUMP CYLINDER BASE
4	HOIST CYLINDER STEM
5	TILT CYLINDER STEM
6	REAR AXLE CRADLE BEARING
7	TILT CYLINDER BASE
8	FRONT AXLE CRADLE BEARING
9	HOIST CYLINDER BASE
10	LH DUMP CYLINDER STEM
11	LH BUCKET PIVOT
12	LH DUMP CYLINDER BASE
13	BOGIE PIVOT
14	UPPER HINGE PIN
15	RH STEERING CYLINDER BASE
16	LH STEERING CYLINDER BASE
17	LOWER HINGE PIN
18	RH STEERING CYLINDER STEM
19	LH STEERING CYLINDER STEM



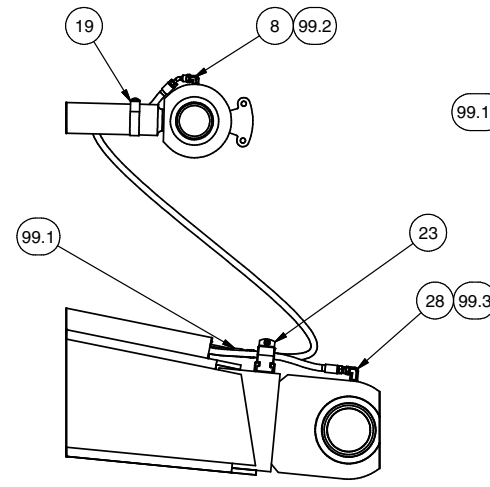
**DETAIL 2B2**



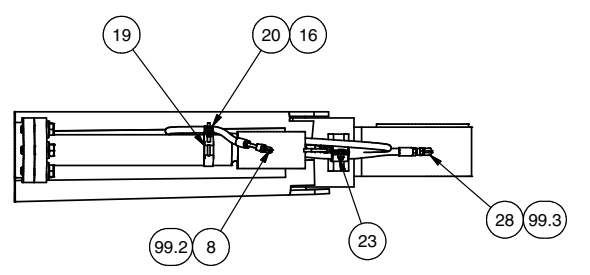
**SECTION 2A2-2A2**



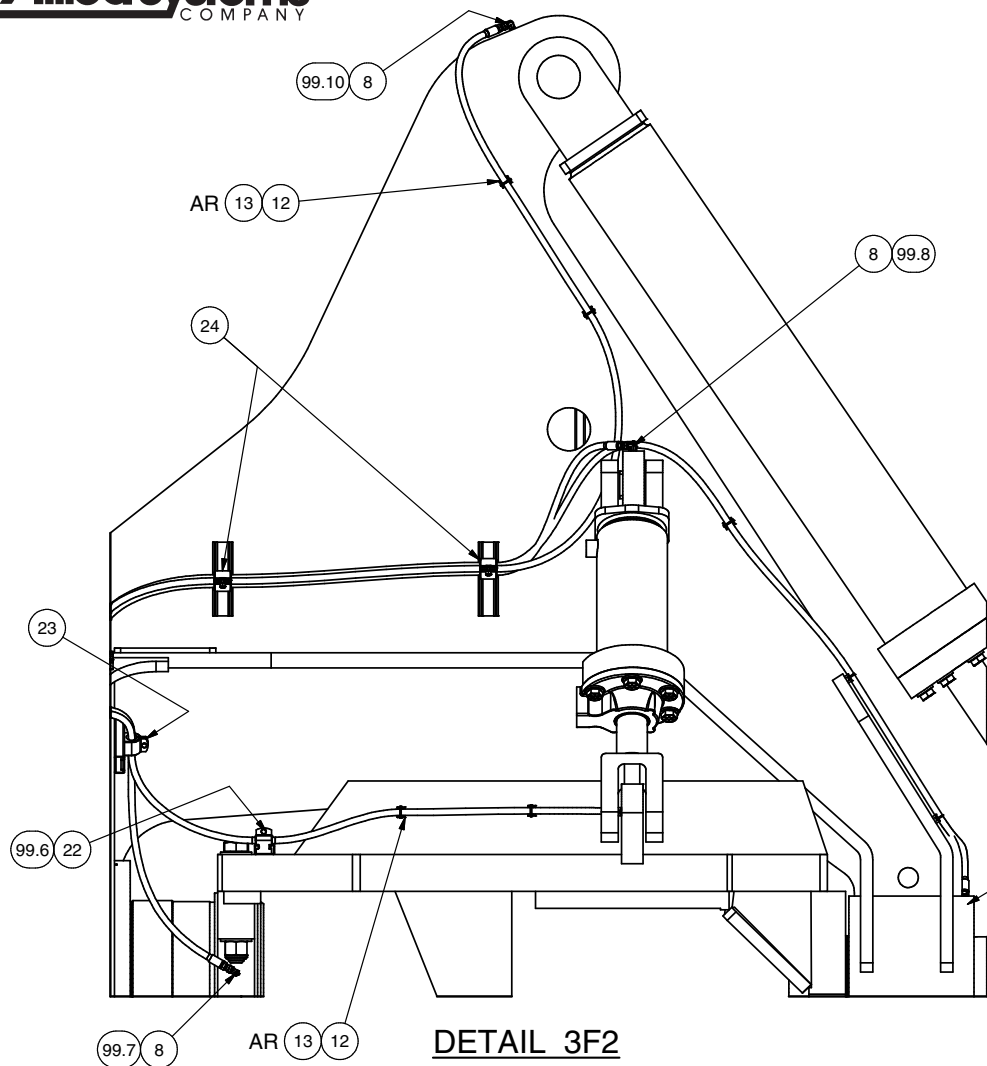
**DETAIL 2E2**



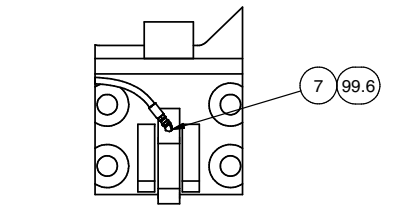
**DETAIL 2C2**  
BUCKET REMOVED FOR CLARITY  
VIEW TYP. BOTH SIDES



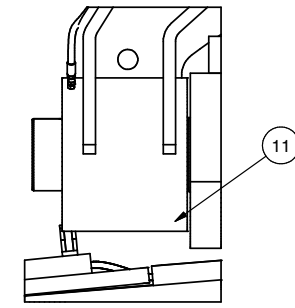
**DETAIL 2D2**  
BUCKET REMOVED FOR CLARITY  
VIEW TYP. BOTH SIDES



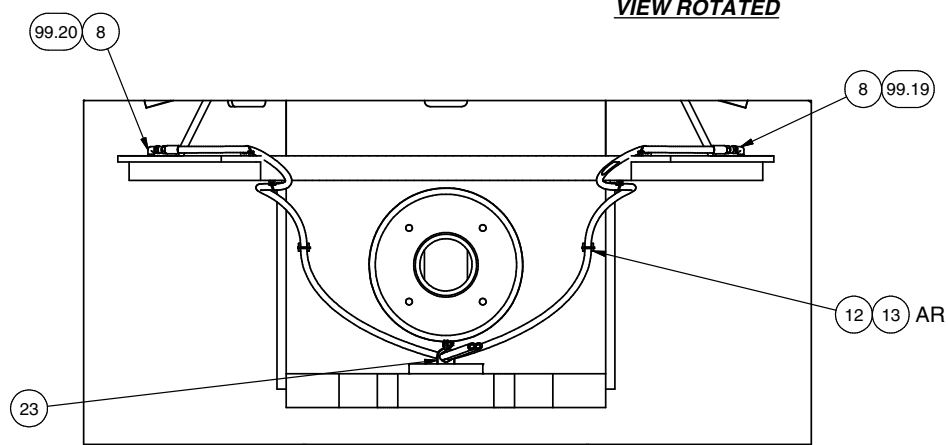
**DETAIL 3F2**



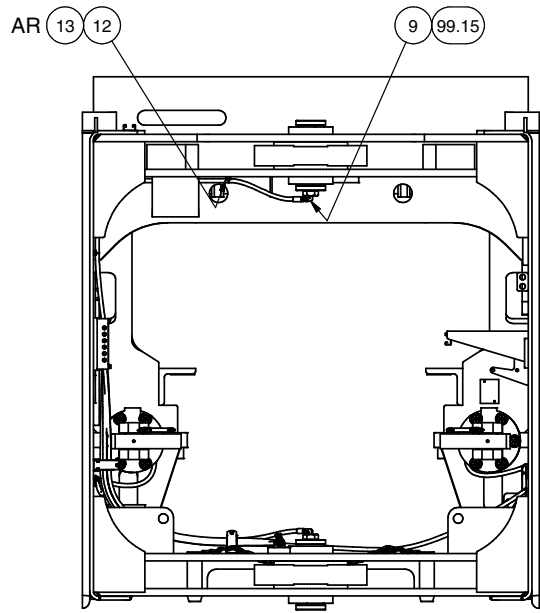
**SECTION 3G2-3G2**



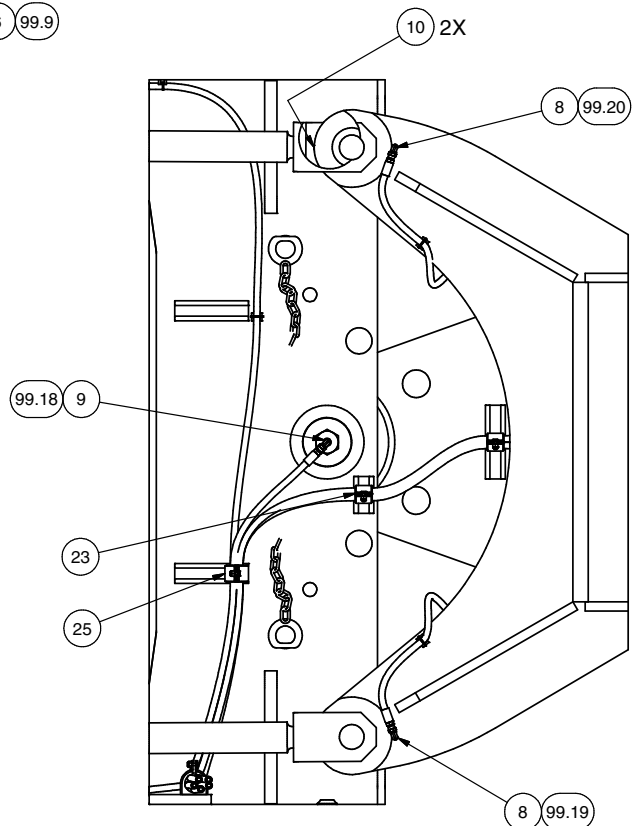
**SECTION 3P2-3P2  
VIEW ROTATED**



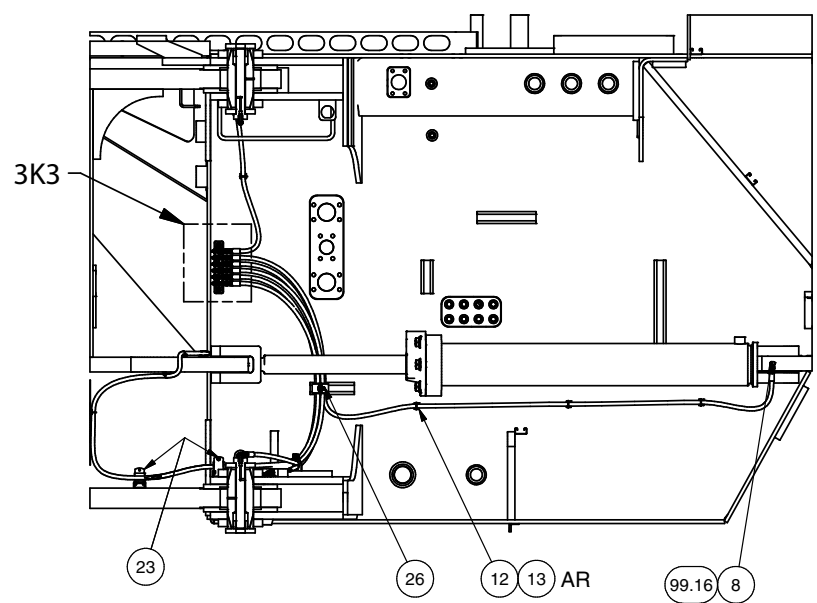
**SECTION 3M2-3M2**



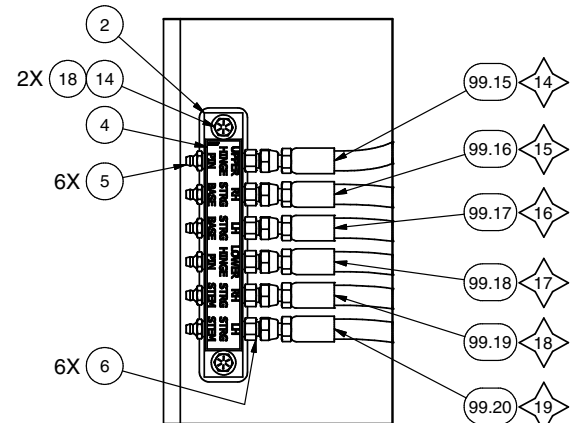
**SECTION 3H2-3H2**



**SECTION 3L2-3L2**



**SECTION 3J2-3J2  
VIEW ROTATED**



**DETAIL 3K3**