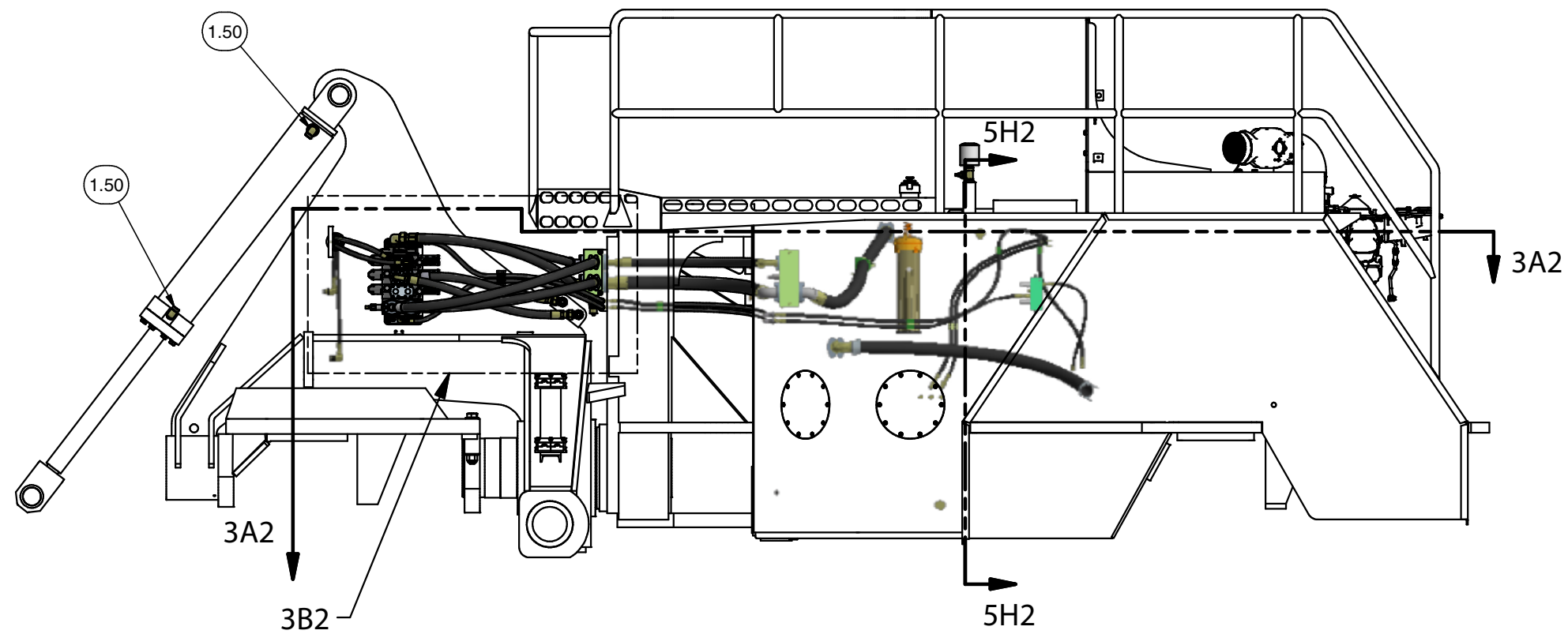
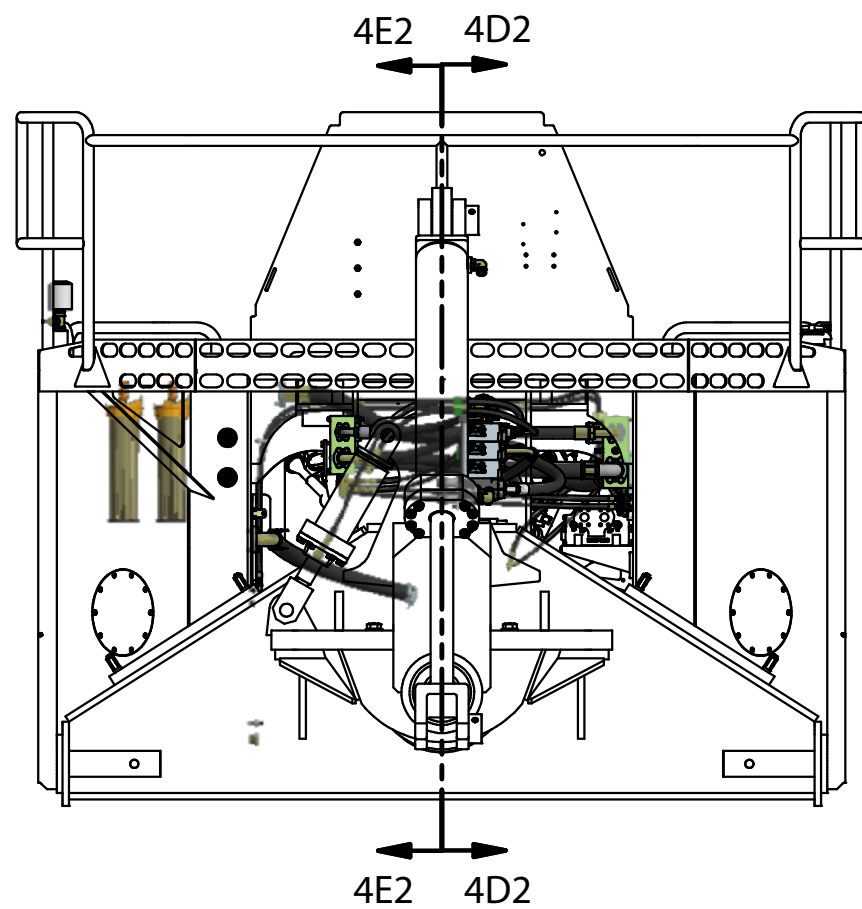
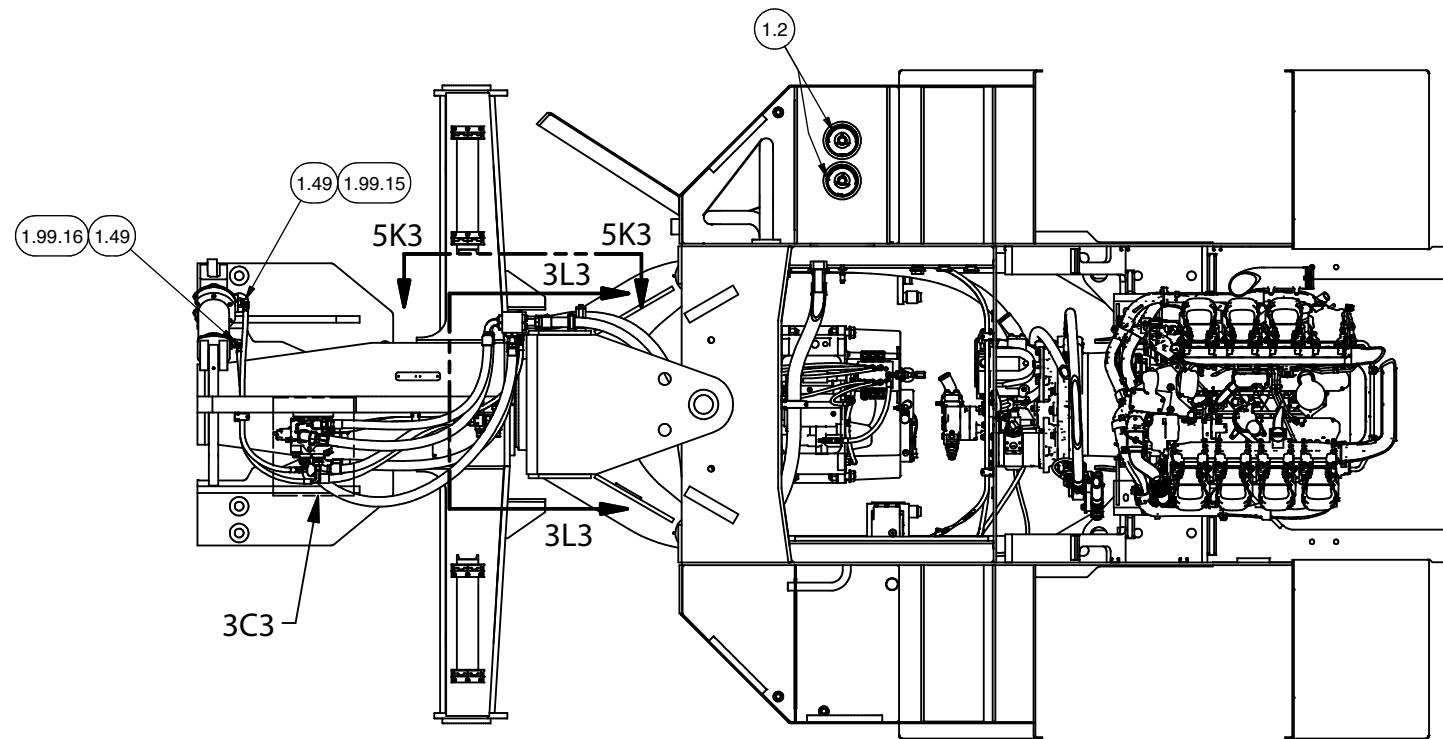

Hydraulic System - Implement

Hydraulic System - Implement

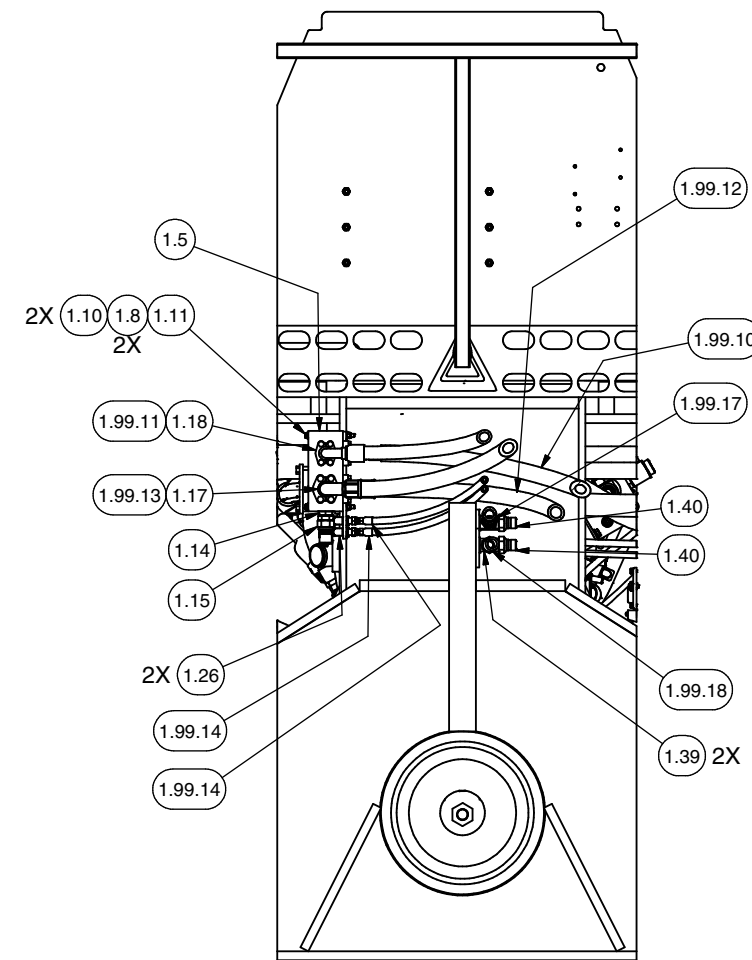
Item	Part No.	Qty	Description	Item	Part No.	Qty	Description
	600950		Hydraulic System - Implement				
1.1	* 601062	1	. Valve, 3-Section	1.39	238753	2	. Fitting
1.2	* 600875	2	. Filter, Tank Return	1.40	234191	4	. Fitting
1.3	* 598198	1	. Assembly, Manifold	1.41	231455	1	. Fitting
1.4	* 601307	1	. Manifold, Assembly	1.44	220427	2	. Fitting
1.5	601309	1	. Manifold	1.45	209067	1	. Fitting
1.6	296417W	2	. Washer	1.46	Y098629-219	2	. O-Ring
1.7	Y23C-M0660	2	. Capscrew	1.47	Y73G-0620	8	. Capscrew
1.8	221767W	9	. Washer	1.48	R833257	1	. Fitting
1.9	R13801824	2	. Capscrew	1.49	235314	2	. Fitting
1.10	237567	2	. Locknut	1.50	231454	3	. Fitting
1.11	230776	2	. Capscrew	1.51	231458	2	. Fitting
1.12	Y17C-0616	3	. Capscrew	1.52	211563	1	. Fitting
1.13	598183	1	. Check Valve	1.53	R833117	1	. Fitting
1.14	209078	1	. Fitting	1.54	224744	1	. Breather Assembly
1.15	240395	1	. Coupler, Male		230463	1	. Element
1.16	12721	5	. Kit, Split Flange	1.55	209505	1	. Fitting
	203519	1	. O-Ring	1.56	211398	1	. Draincock
1.17	11740	5	. Kit, Split Flange	1.57	209159	1	. Fitting
1.18	11759	4	. Kit, Split Flange	1.58	231415	2	. Glass, Sight Level
	203443	1	. O-Ring	1.59	26837	2	. Fitting
1.19	229448	1	. Kit, Split Flange	1.60	HSP0000008	1	. Hose Protector-8"
1.20	209536	2	. Clamp Half	1.99	601317	1	. Kit, Hose
1.21	203446	1	. O-Ring	1.99.1	201439-58	1	. Suction Hose
1.22	R13811432	4	. Washer	1.99.2	601321	1	. Hose Assembly
1.23	R13811062	4	. Capscrew	1.99.3	601325	1	. Hose Assembly
1.24	223435	1	. Fitting	1.99.4	601326	1	. Hose Assembly
1.25	219321	4	. T-Bolt Clamp	1.99.5	601324	2	. Hose Assembly
1.26	232356	2	. Fitting	1.99.6	601323	1	. Hose Assembly
1.27	232355	2	. Fitting	1.99.7	601327	1	. Hose Assembly
1.28	238429	14	. Clamp	1.99.8	601322	1	. Hose Assembly
1.29	590058	1	. Clamp, Hydra-Zorb	1.99.9	242483	1	. Hose Assembly
1.30	231296	2	. Clamp	1.99.10	601937	1	. Hose Assembly
1.31	231446	1	. Fitting	1.99.11	601331	1	. Hose Assembly
1.32	209423	1	. Fitting	1.99.12	601330	1	. Hose Assembly
1.33	231439	1	. Fitting	1.99.13	601329	1	. Hose Assembly
1.34	251424	1	. Sensor, Temp	1.99.14	601238	2	. Hose End
1.35	598718	2	. Transducer, Pressure	1.99.15	601335	1	. Hose Assembly
1.36	210709	3	. Fitting	1.99.16	601336	1	. Hose Assembly
1.37	209139	2	. Fitting	1.99.17	601333	1	. Hose Assembly
1.38	231452	1	. Fitting	1.99.18	601334	1	. Hose Assembly

* See Separate Coverage

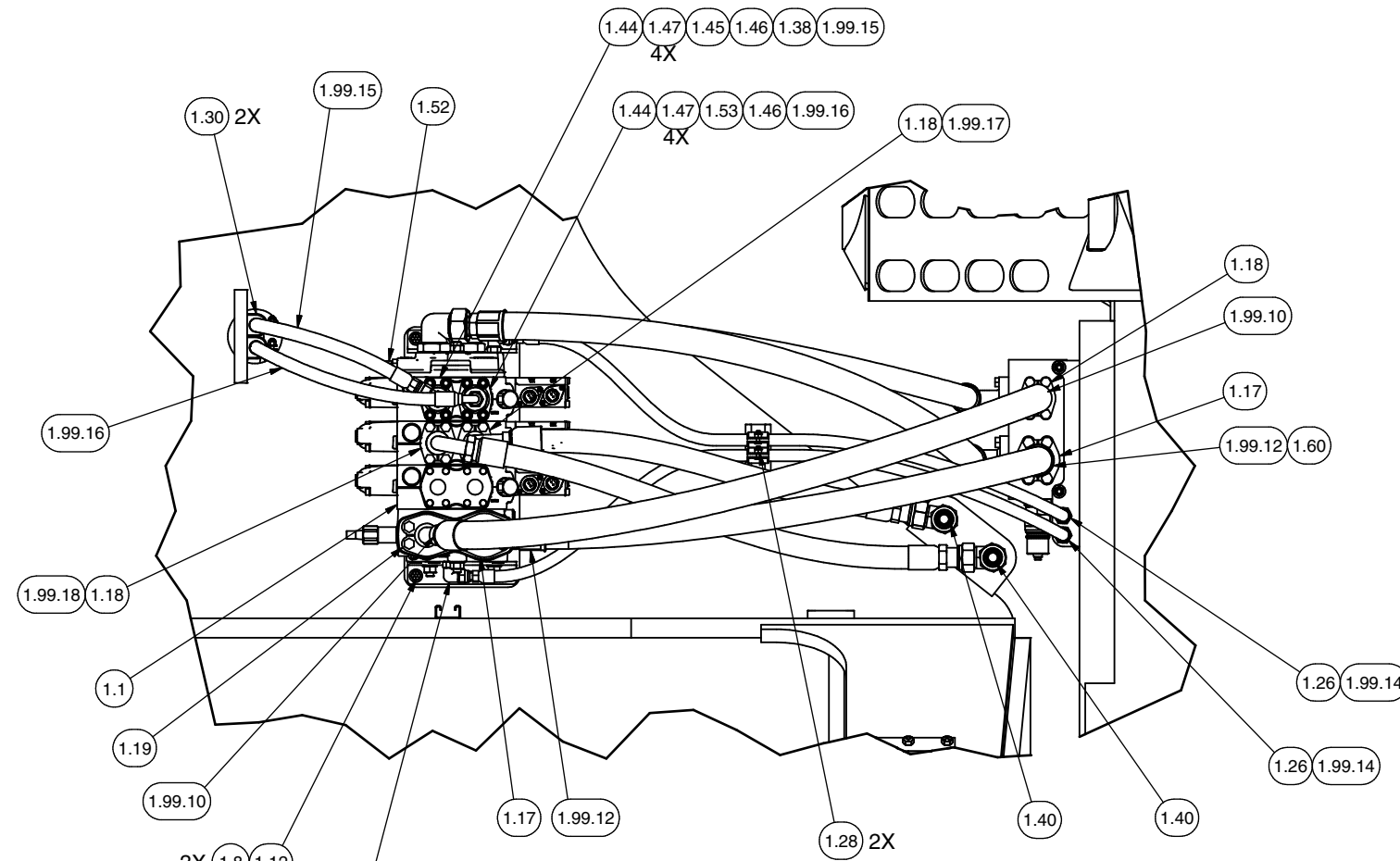




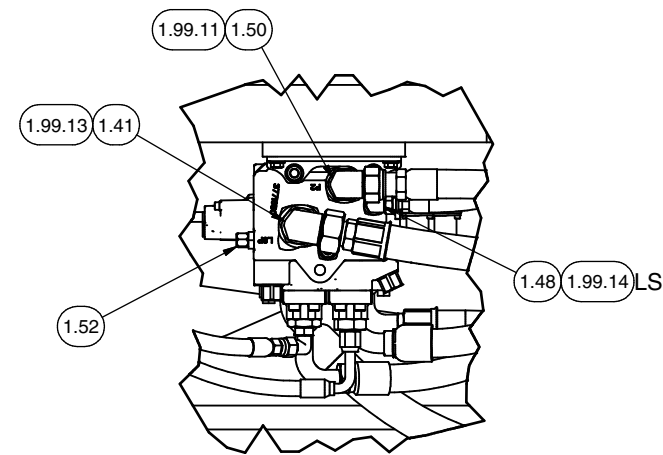
SECTION 3A2-3A2



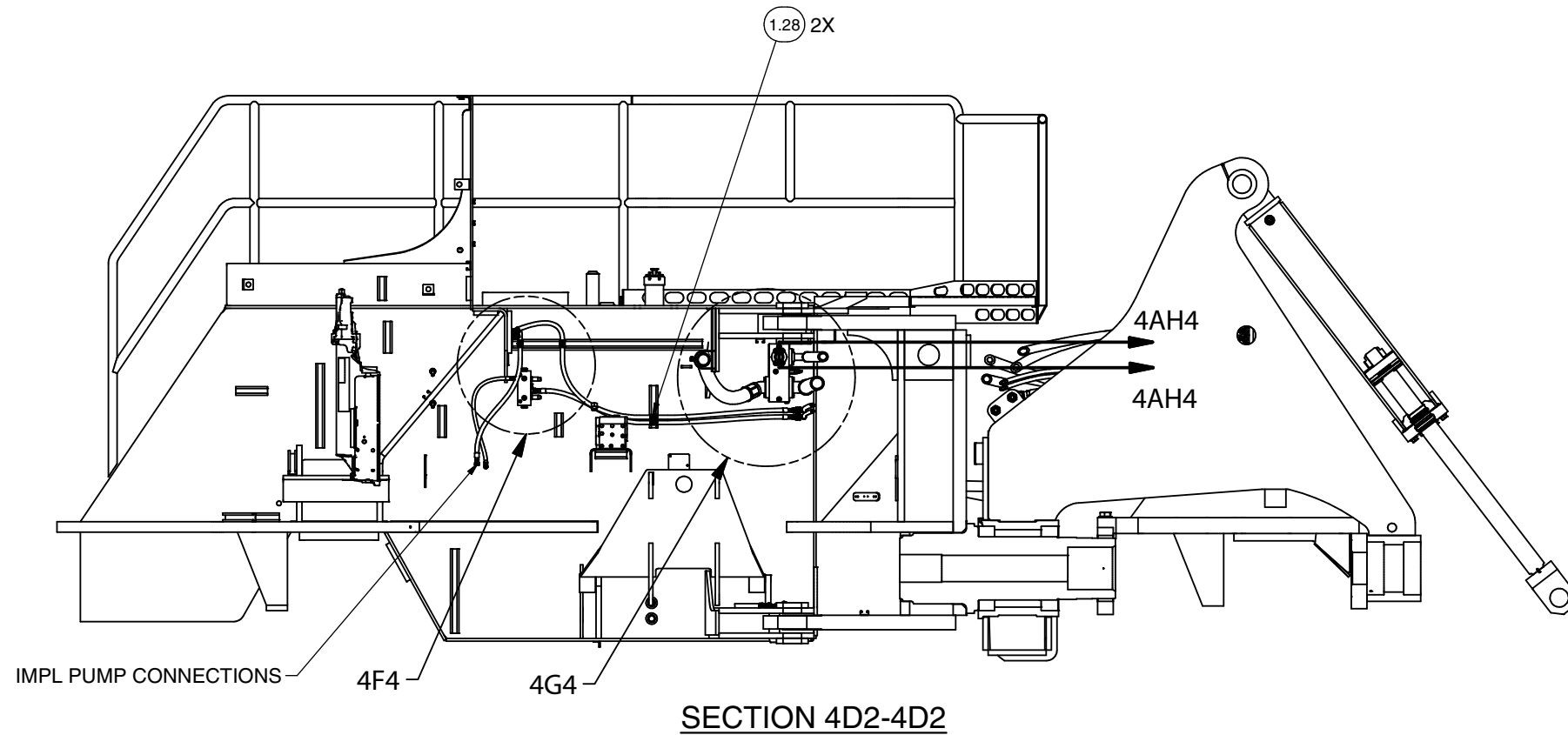
**SECTION 3L3-3L3
VIEW ROTATED FOR CLARITY
SWIVEL MANIFOLD**



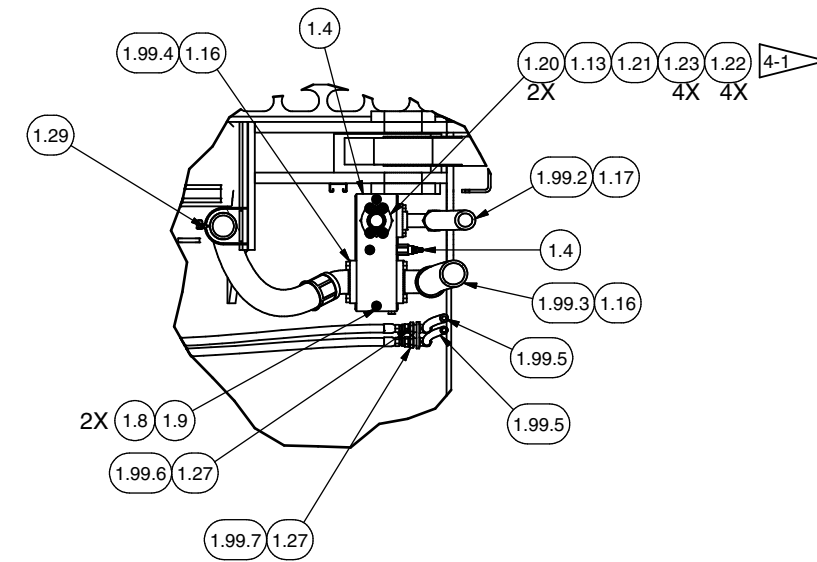
**DETAIL 3B2
IMPLEMENT VALVE**



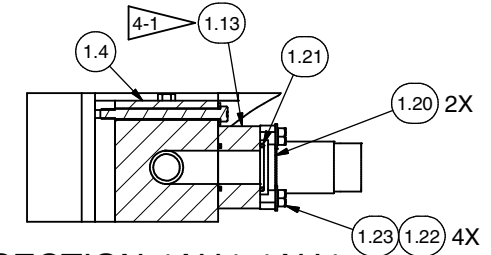
DETAIL 3C3



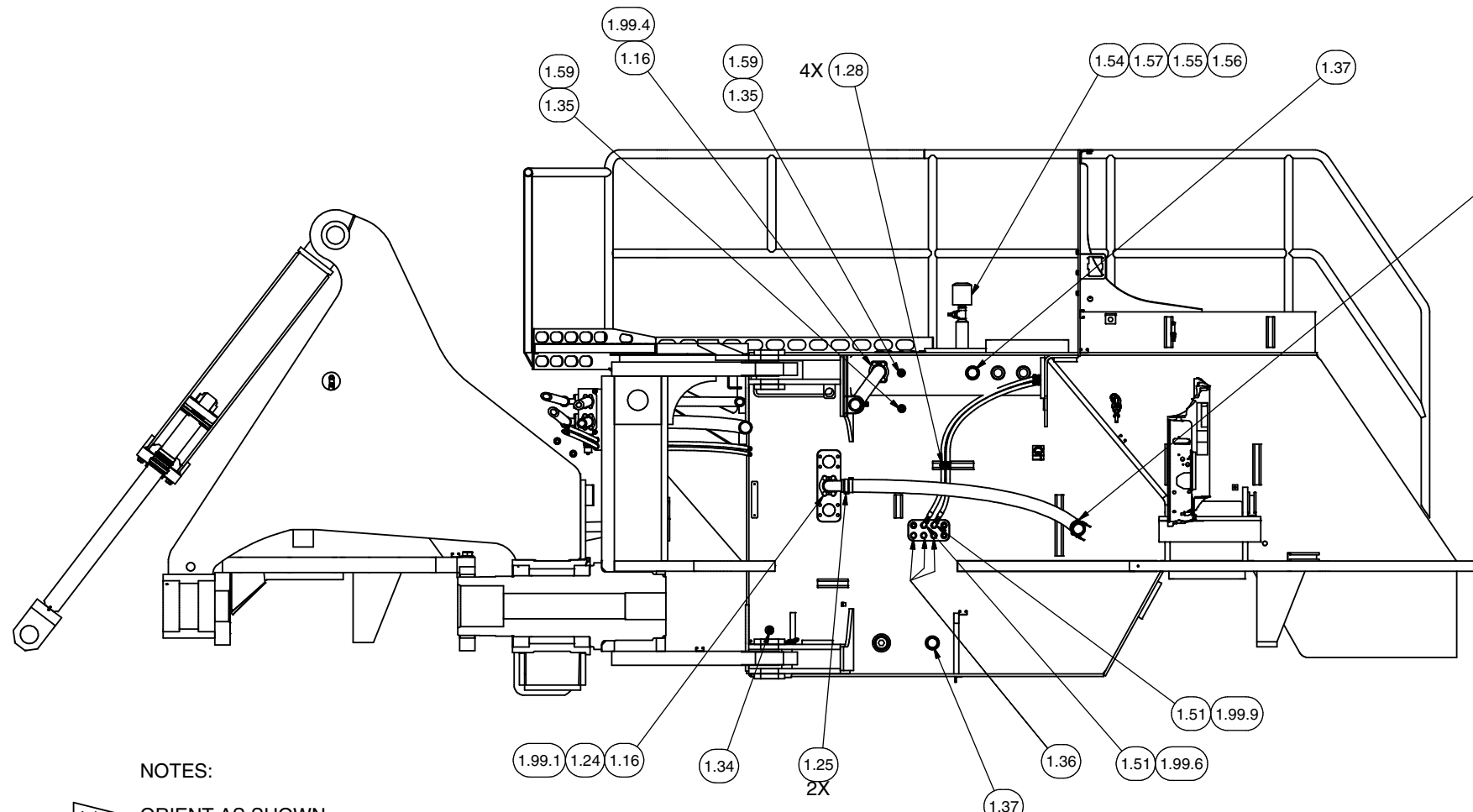
SECTION 4D2-4D2



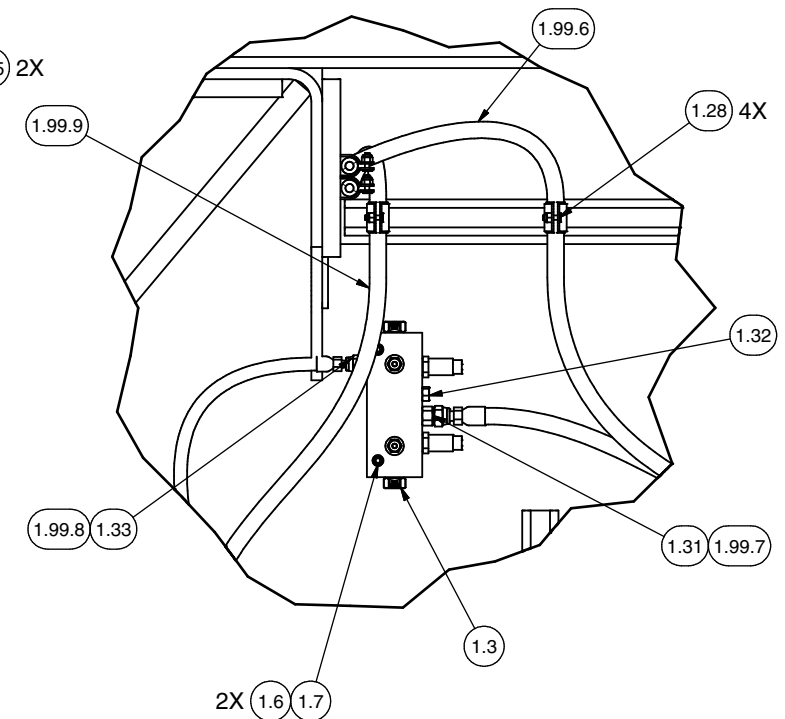
**DETAIL 4G4
CHASSIS MANIFOLD**



**SECTION 4AH4-4AH4
CHECK VALVE ORIENTATION**



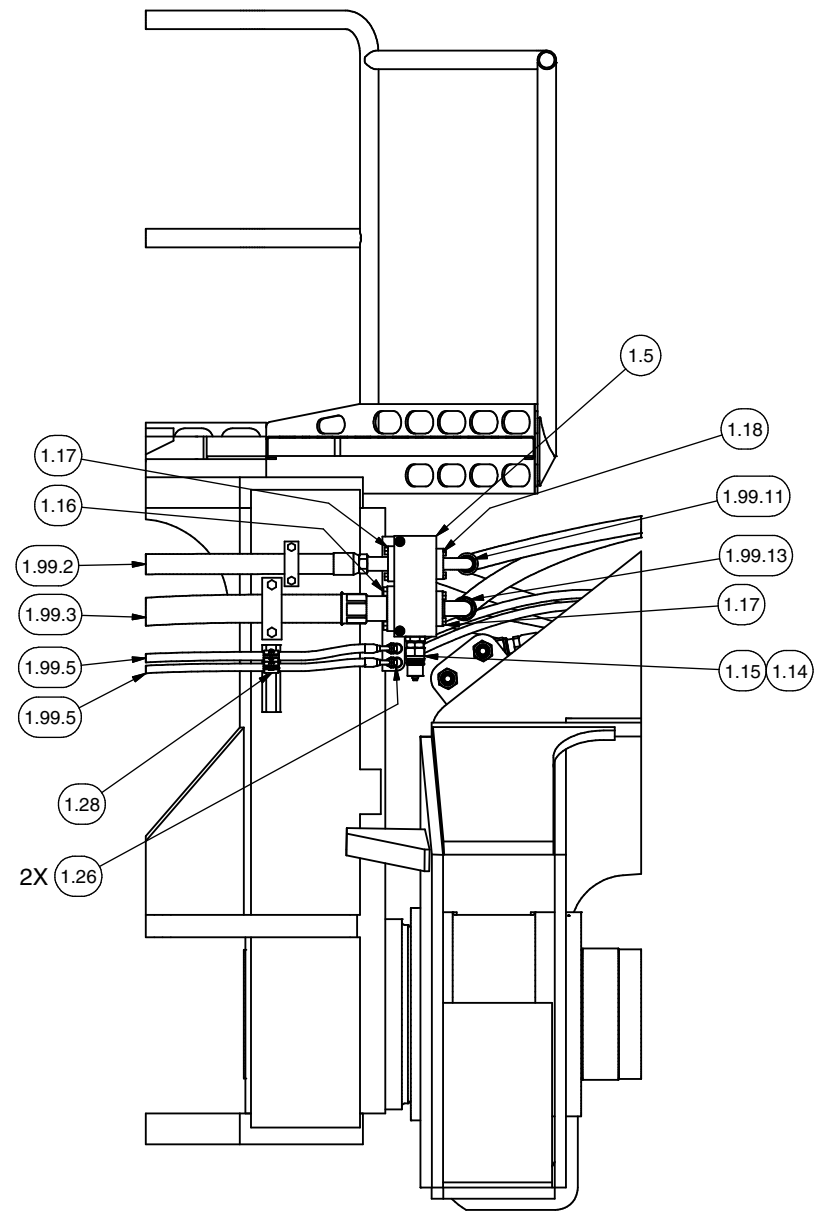
SECTION 4E2-4E2



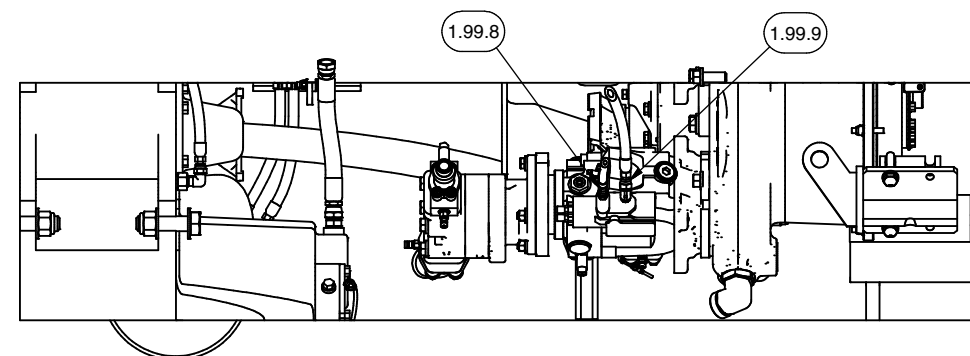
**DETAIL 4F4
LS MANIFOLD**

NOTES:

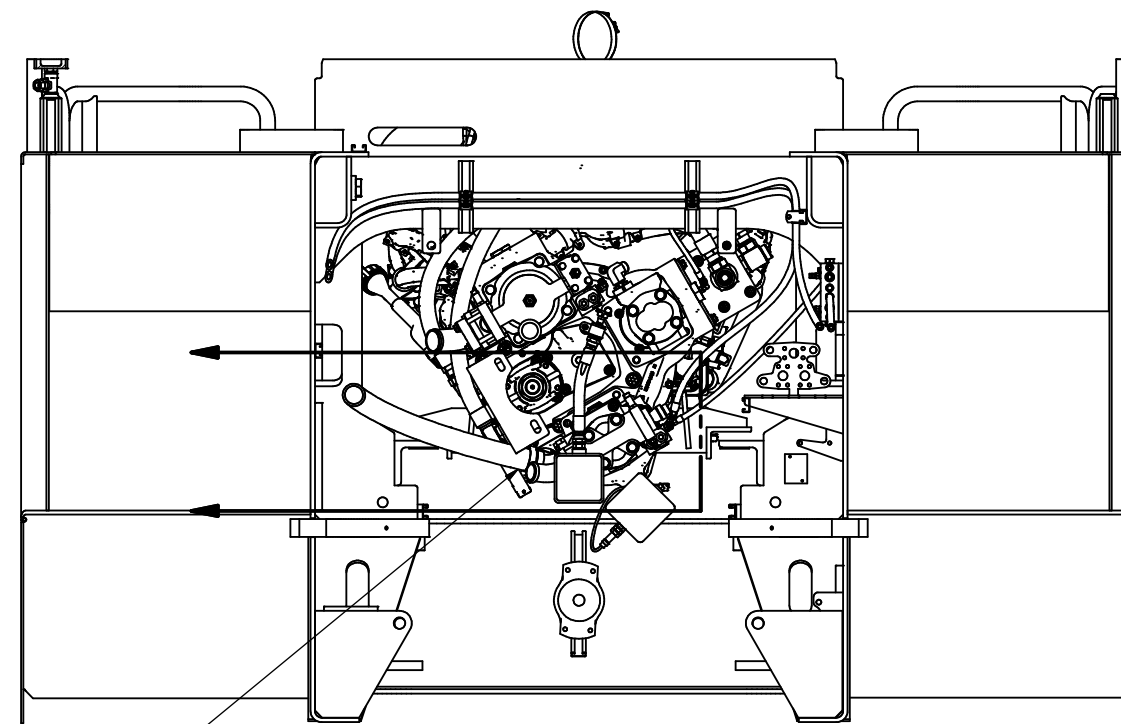
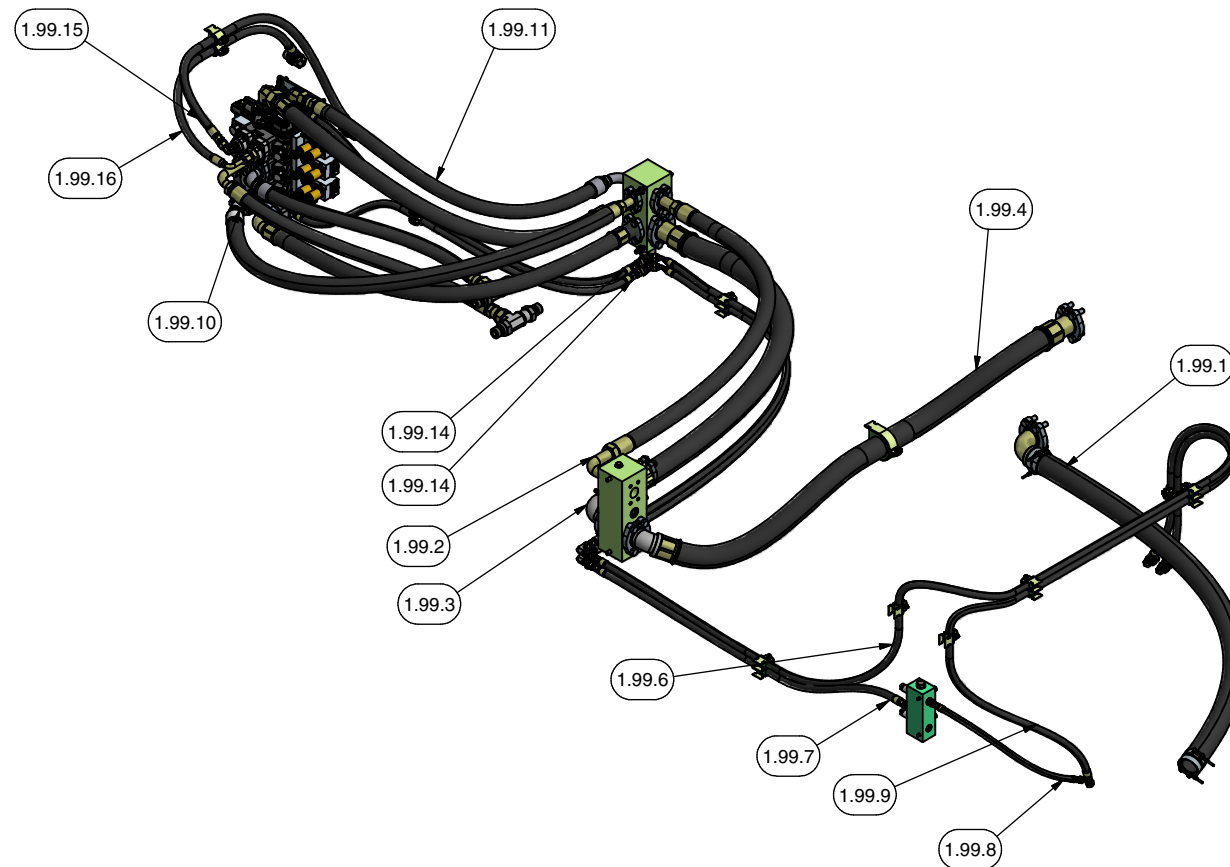
4-1 ORIENT AS SHOWN



SECTION 5K3-5K3
SWIVEL MANIFOLD PLUMBING



SECTION 5J5-5J5
VIEW CROPED FOR CLARITY
IMPLEMENT PUMP CONNECTIONS



SECTION 5H2-5H2