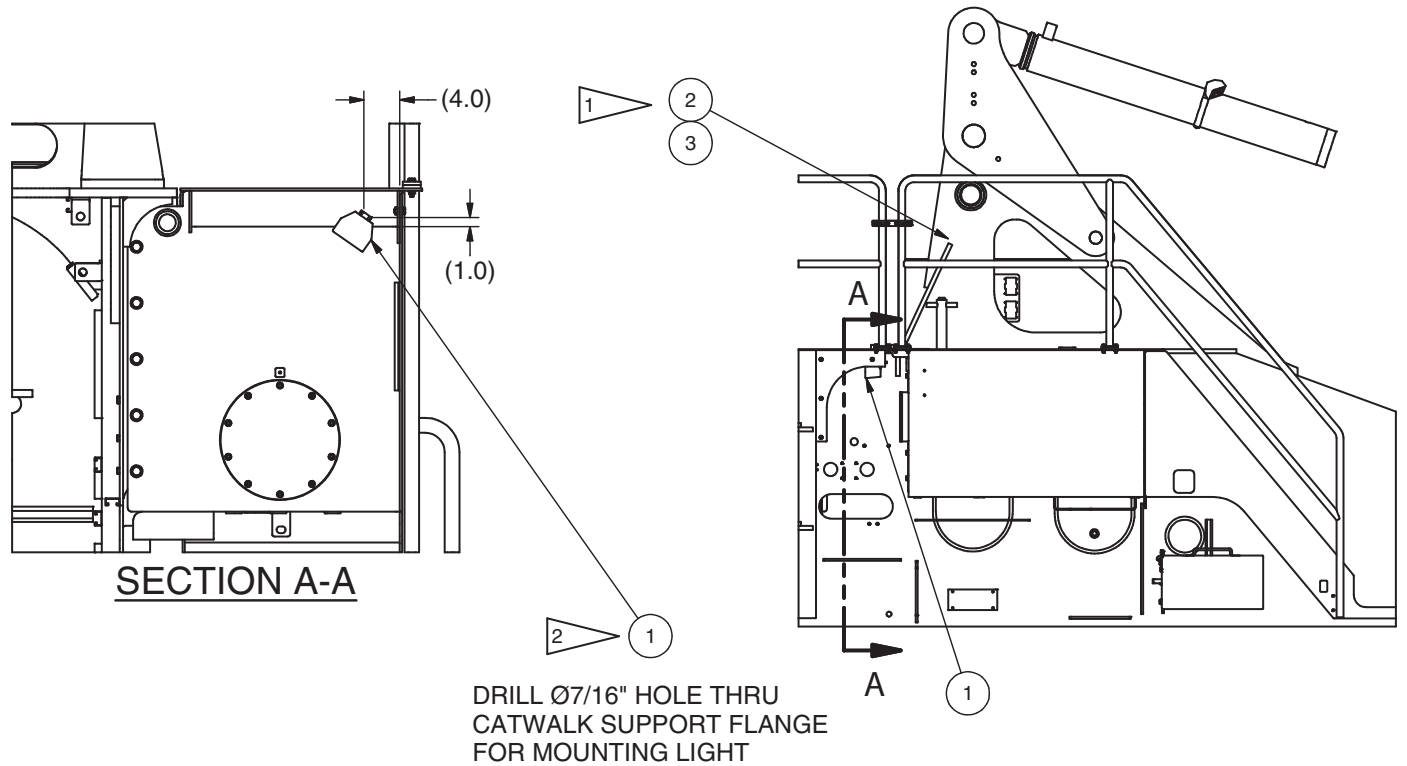


Kit, Service Bay Light



NOTES:

- 1 WIRE HARNESS NEEDS TO BE INCORPORATED INTO EXISTING STAIRWAY LIGHTING HARNESS (REF PRINT 600856), 12 PIN BUSSED RECEPTACLE REPLACES 6 PIN BUSSED RECEPTACLE. USE CABLE TIES ITEM 3 TO SECURE THE WIRE HARNESS FROM THE 12 PIN BUSSED RECEPTACLE TO THE SERVICE BAY.
- 2 POSITION LIGHT TO POINT TOWARDS BOTTOM STEP.

Item	Part No.	Qty	Description
	600855		Kit, Service Bay Light
1	258338	1	. Floodlight
2	600856	1	. Wire Harness, Service Bay Light
3	249329	10	. Cable Tie