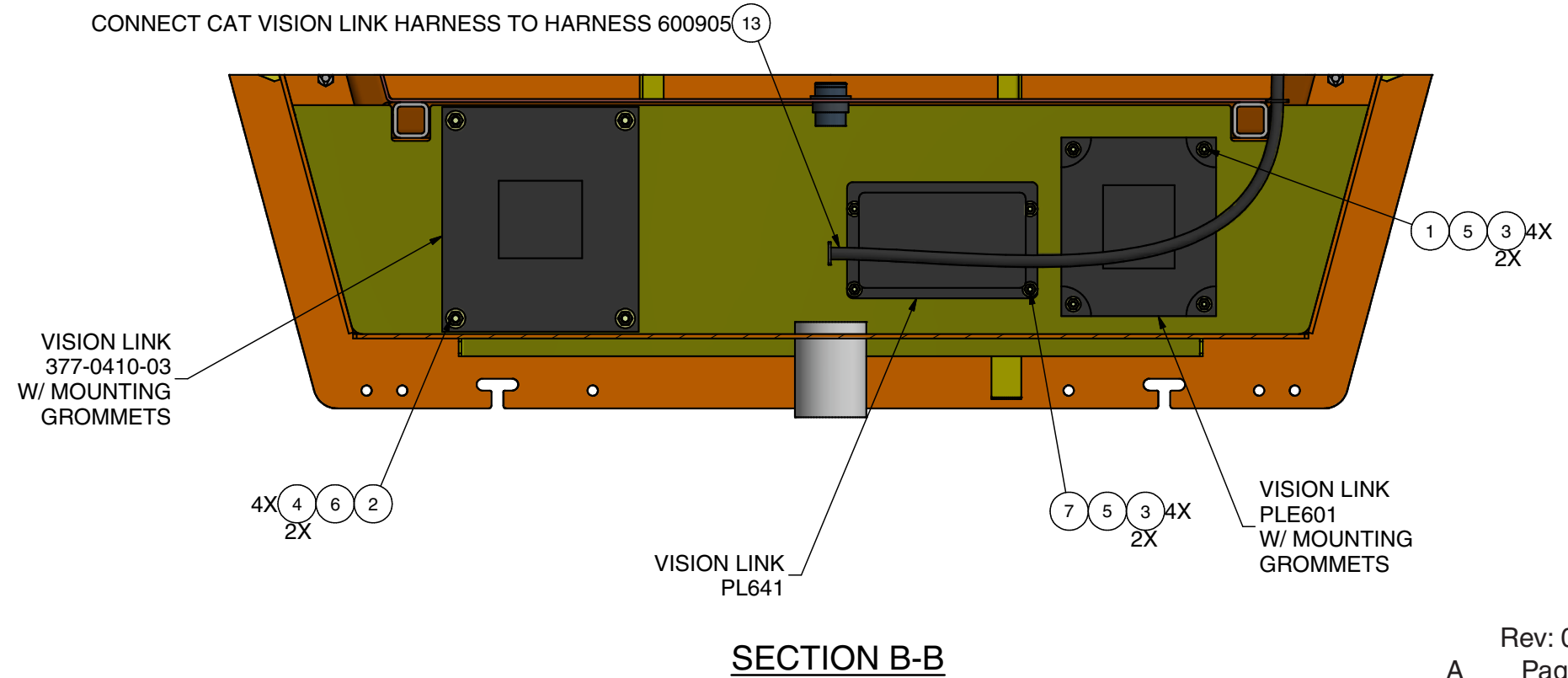
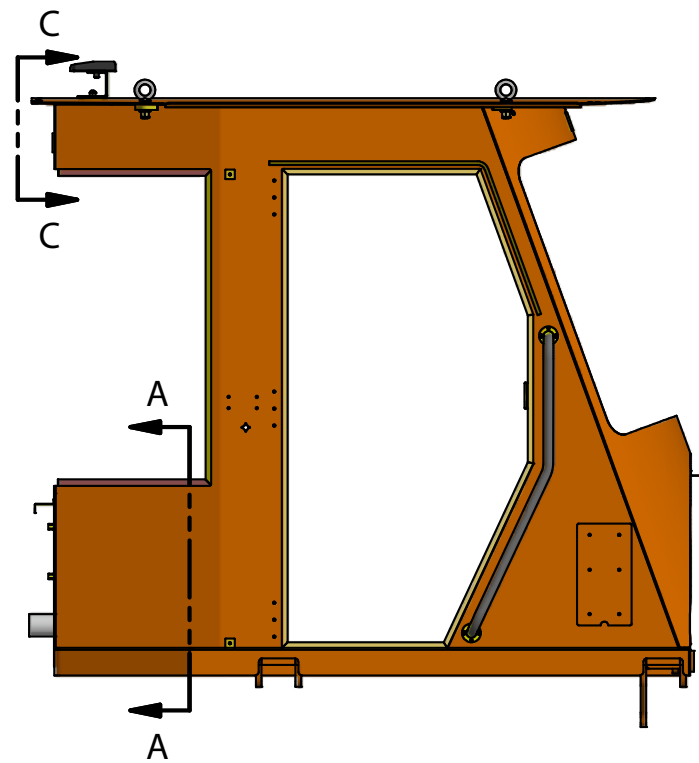
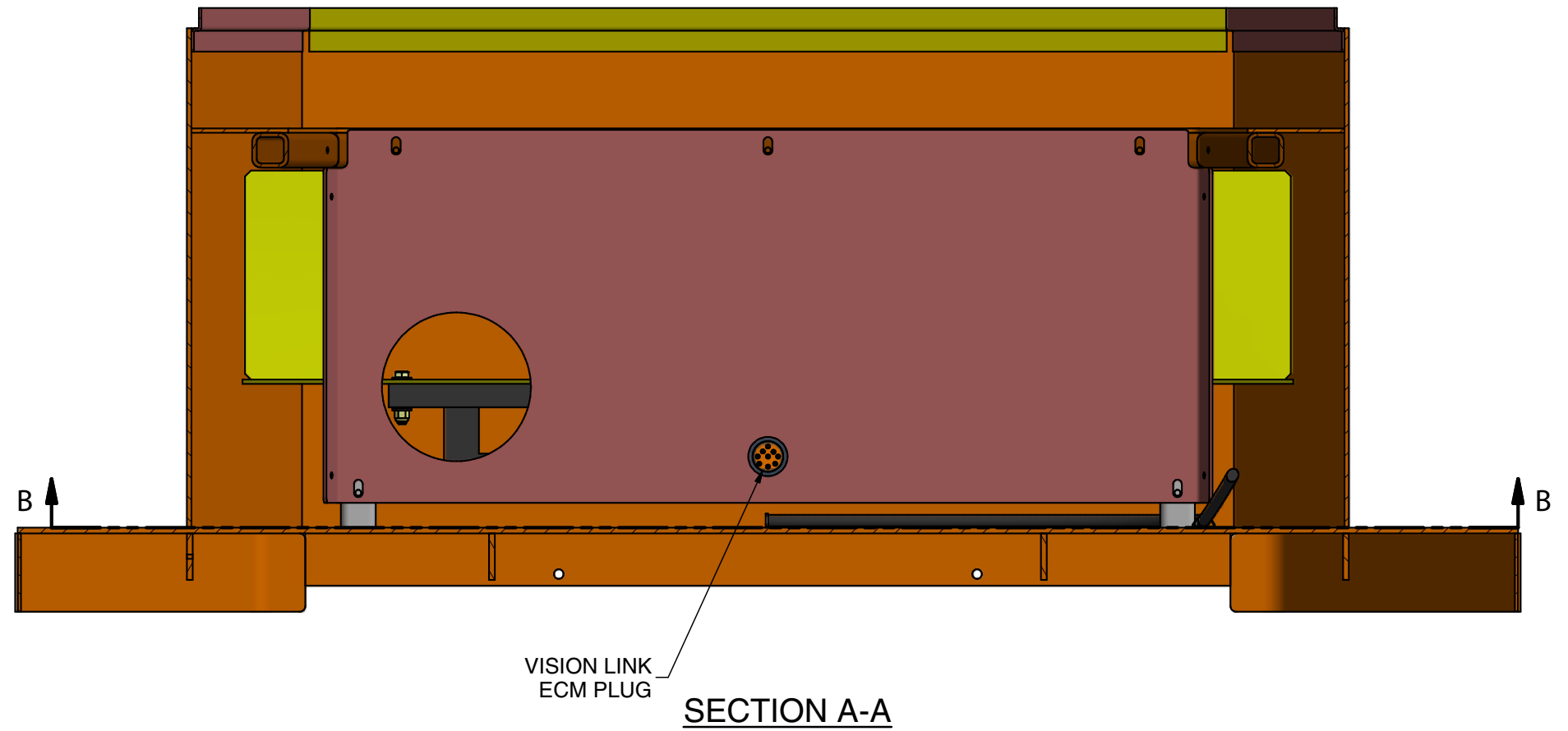
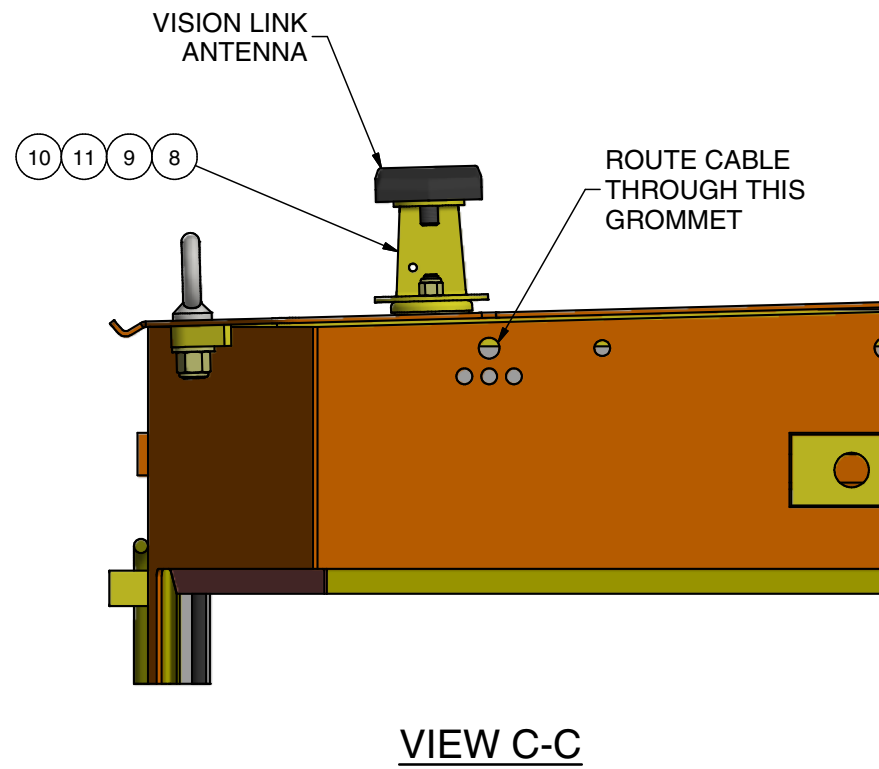
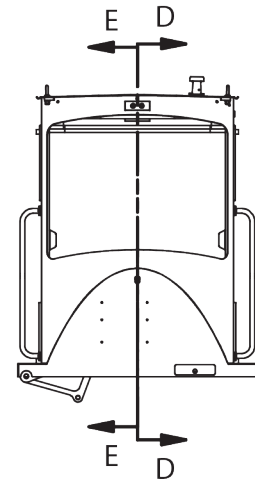

Remote Monitoring, CAT Vision Link

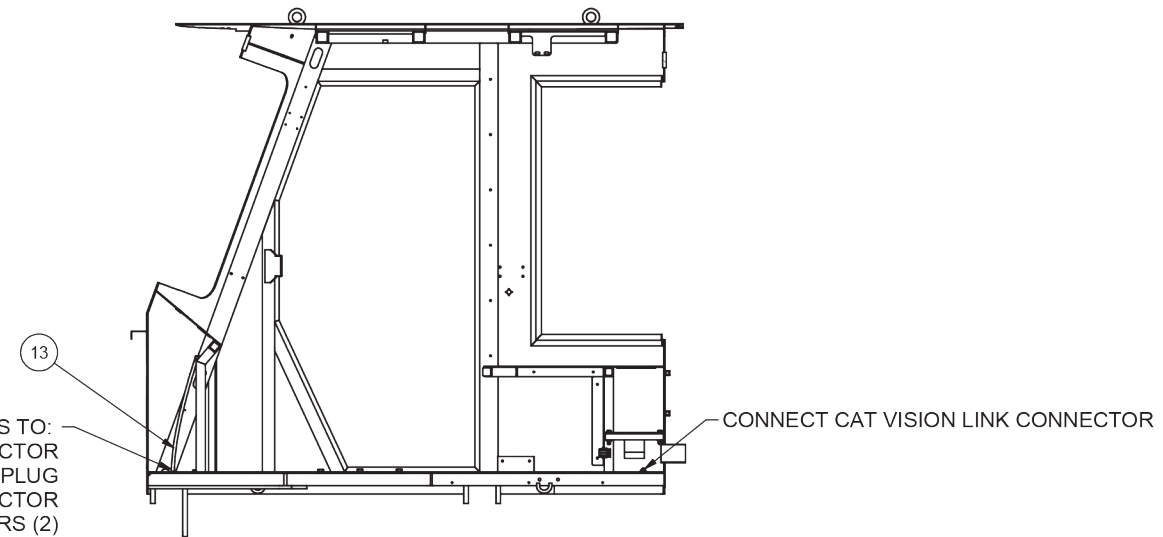
Remote Monitoring, CAT Vision Link

Item	Part No.	Qty	Description	Item	Part No.	Qty	Description
	600834		Remote Monitoring, CAT Vision Link				
1	R13810996	4	. Capscrew	8	591002	1	. Bracket
2	R13811039	4	. Capscrew	9	257424	1	. Magnet
3	221763W	16	. Washer	10	R13811193	1	. Nut, Esna
4	221767W	8	. Washer	11	221560W	1	. Capscrew
5	R13811189	8	. Locknut	12	249329	12	. Cable Tie
6	R13811191	4	. Locknut	13	600905	1	. Harness, Cat Vision Link
7	R13810993	4	. Capscrew				

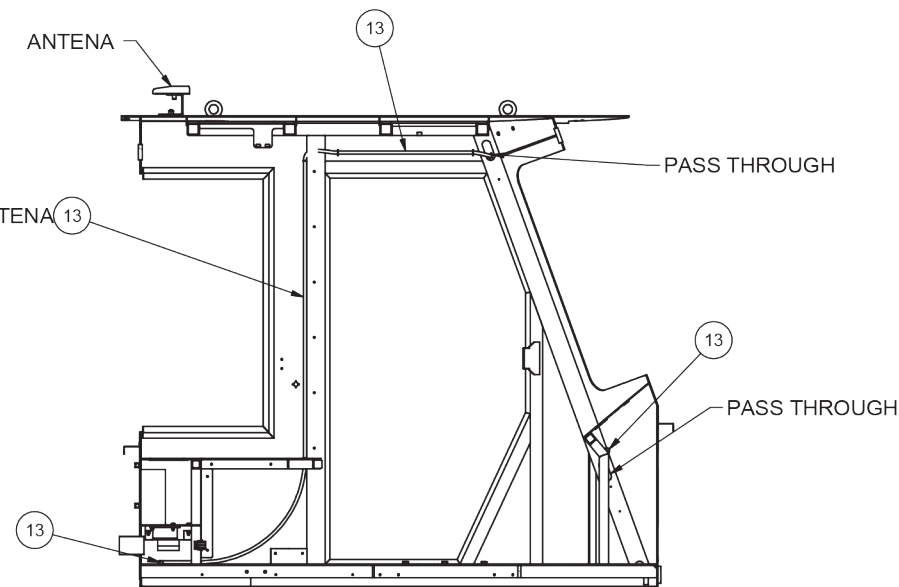
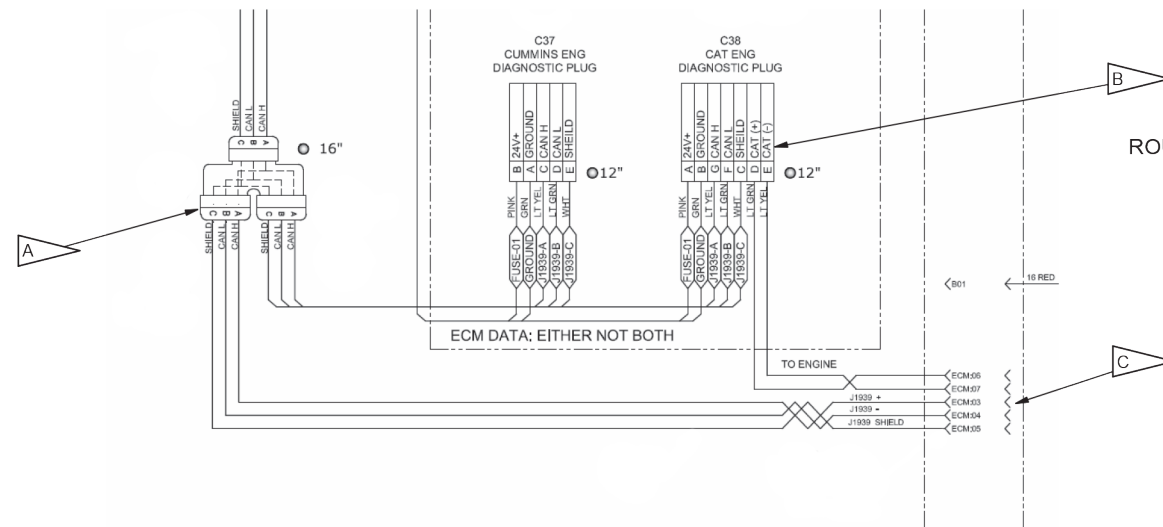




VISION LINK HARNESS ROUTING
ROUTE HARNESS ITEM 13 AS SHOWN



SECTION E-E
RH SIDE OF CAB



SECTION D-D
LH SIDE OF CAB

CAB HARNESS MODIFICATIONS:

BEHIND CAB FUSE PANEL COMPLETE THE FOLLOWING CONNECTIONS:

- J1939 CONNECTIONS (2) AT POINT A, DISCONNECT J1939 SPLITTER AND RECONNECT VISION LINK J1939 LEGS INTO SPLITTER.

- CAT DATALINK (CDL) AT POINT B & C, REMOVE CDL+ AND CDL- WIRE IN ENGINE DIAGNOSTIC PLUG AND ECM BULKHEAD CONNECTOR. *DEUTSCH REMOVAL TOOL 0411-310-1605 REQUIRED.*

1. AT POINT B INSTAL CDL "TO ENGINE DIAGNOSTIC PLUG" LEG OF VISION LINK INTO END DIAGNOSTIC CONNECTOR
2. AT POINT C INSTAL CDL "TO ENGINE" LEG OF VISION LINK INTO ENG BULKHEAD CONNECTOR

- FIND CONNECTOR C40 "OPT REMOTE MONITOR CAT VISION LINK" REMOVE DUST CAP AND CONNECT TO 4 PIN "CAT VISION LINK" RECEPTACLE