

---

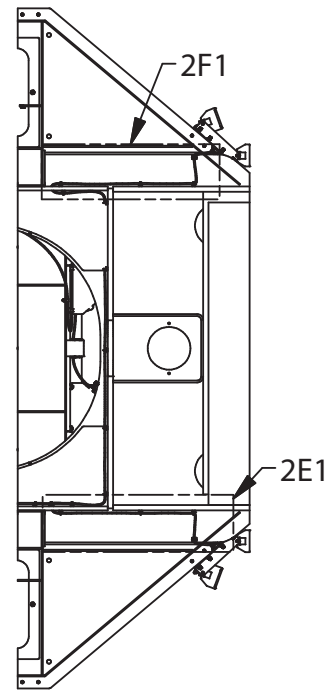
Aux Lights Chassis, Rear

---

## Aux Lights Chassis, Rear

---

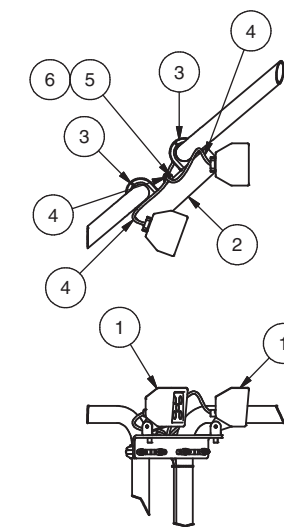
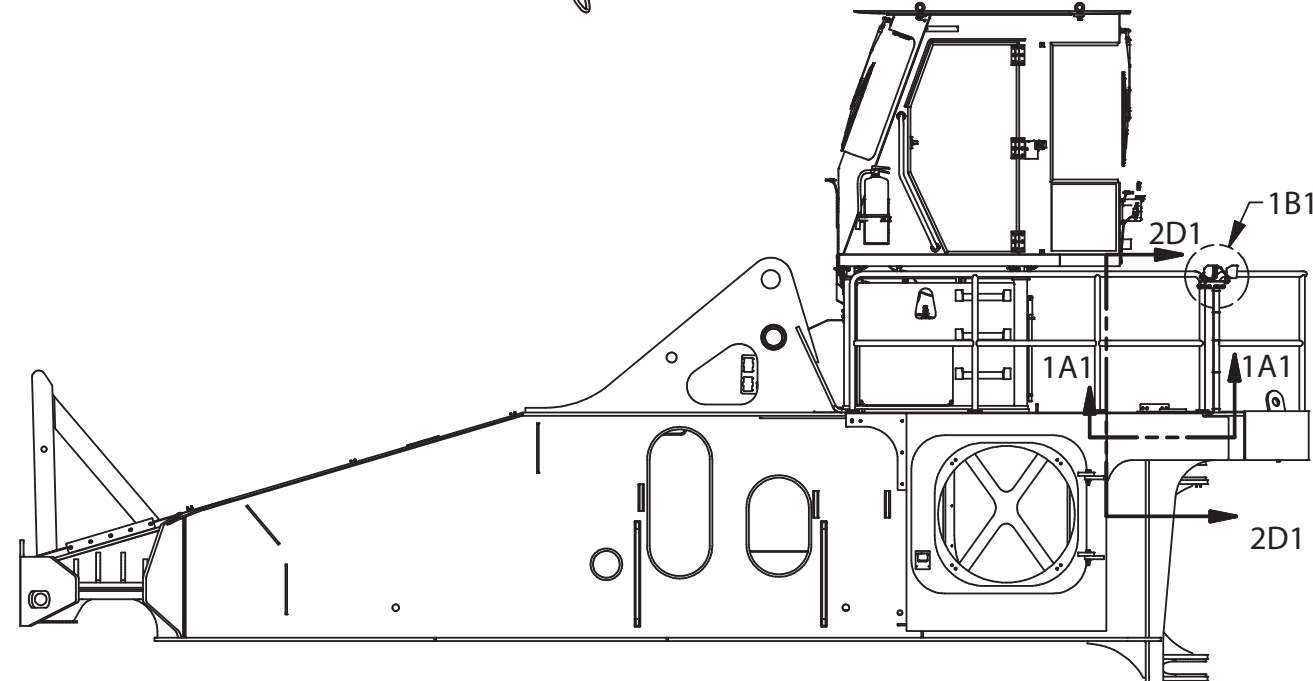
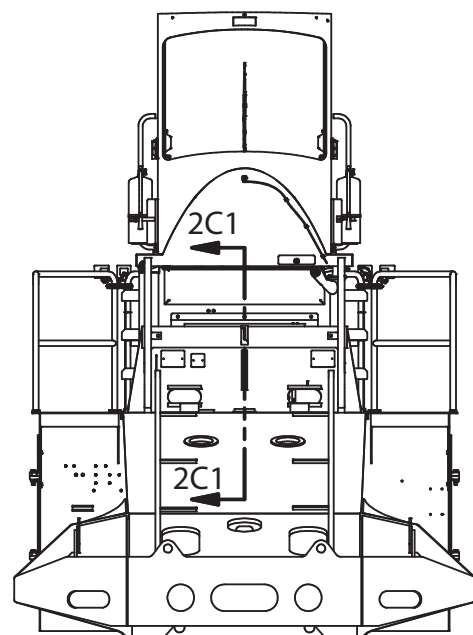
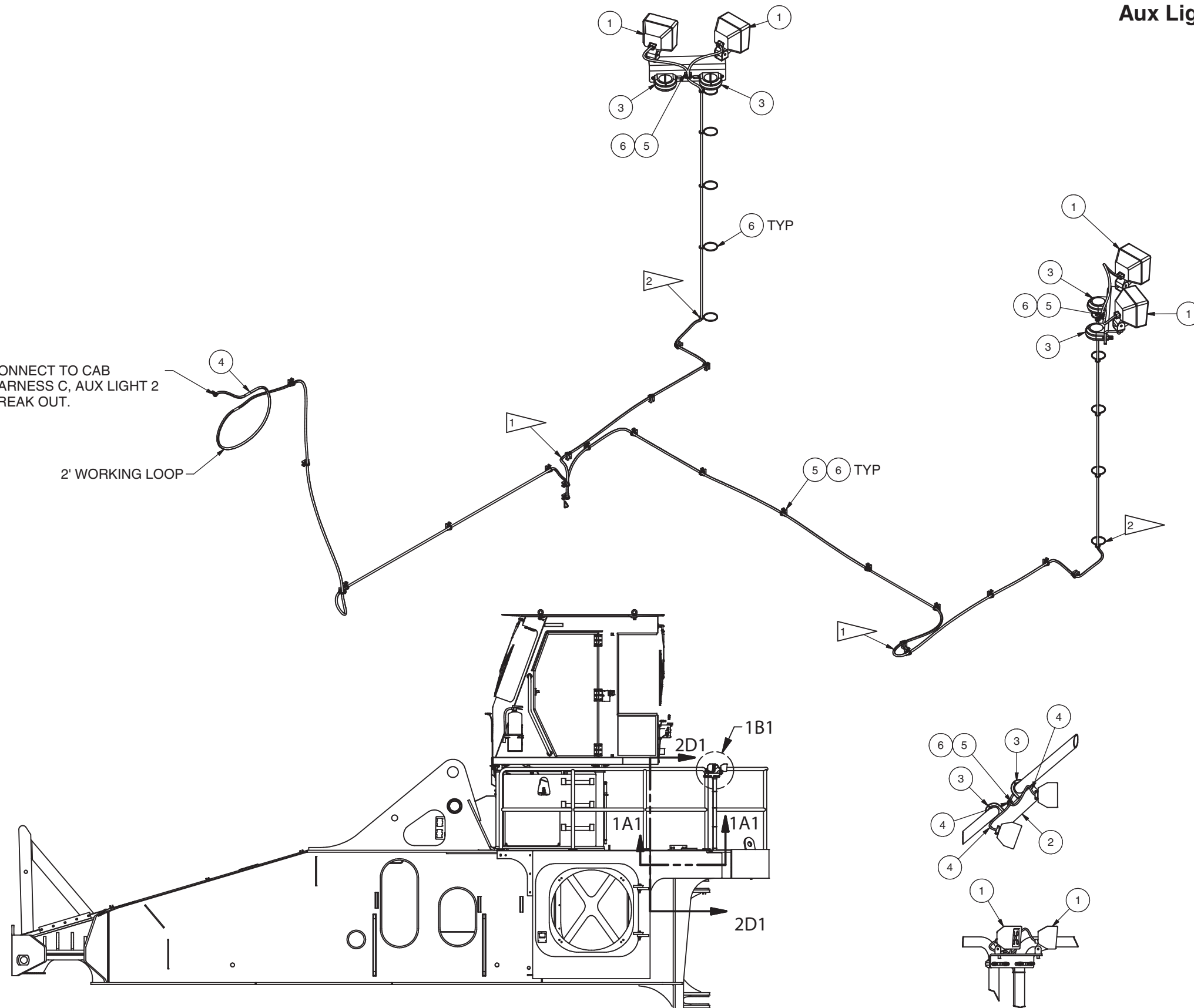
| Item | Part No.      | Qty | Description                     | Item | Part No. | Qty | Description                |
|------|---------------|-----|---------------------------------|------|----------|-----|----------------------------|
|      | <b>600437</b> |     | <b>Aux Lights Chassis, Rear</b> |      |          |     |                            |
| 1    | 258338        | 4   | . Floodlight                    | 4    | 600656   | 1   | . Wire Harness, Aux Lights |
| 2    | 600570        | 2   | . Handrail Clamp Light Mount    | 5    | 595326   | 25  | . Mount, Tack              |
| 3    | 598566        | 4   | . U-Bolt, Vibration Damping     | 6    | 249329   | 41  | . Cable Tie                |



**SECTION 1A1-1A1**

CONNECT TO CAB HARNESS C, AUX LIGHT 2 BREAK OUT.

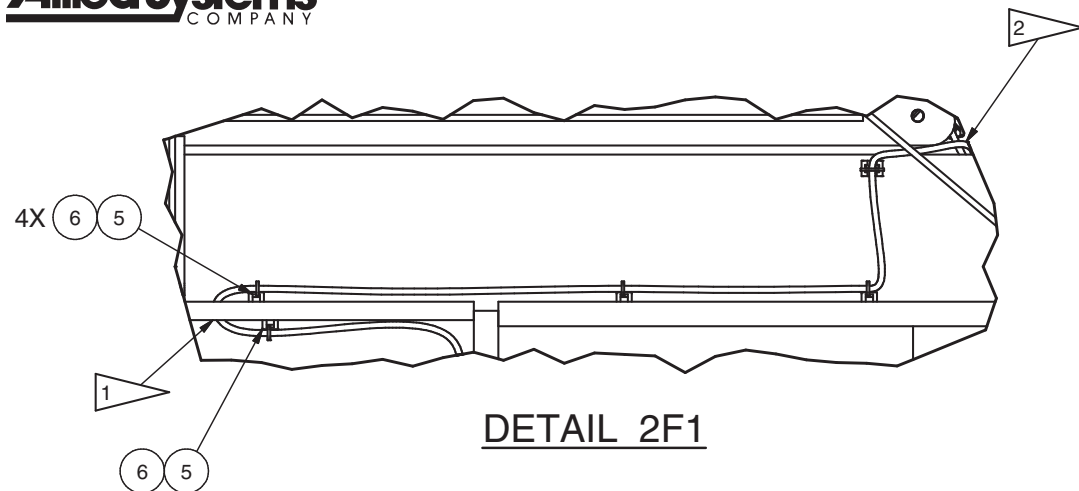
2' WORKING LOOP



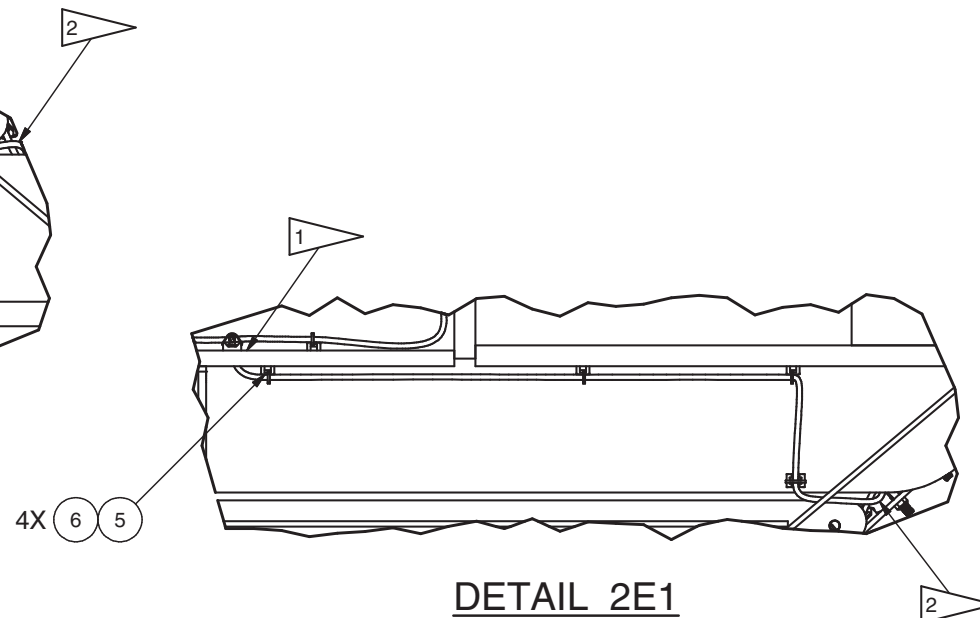
**DETAIL 1B1**  
REPLACE CURRENT HAND RAILBRACKETS  
2 PLACES

**NOTES:**

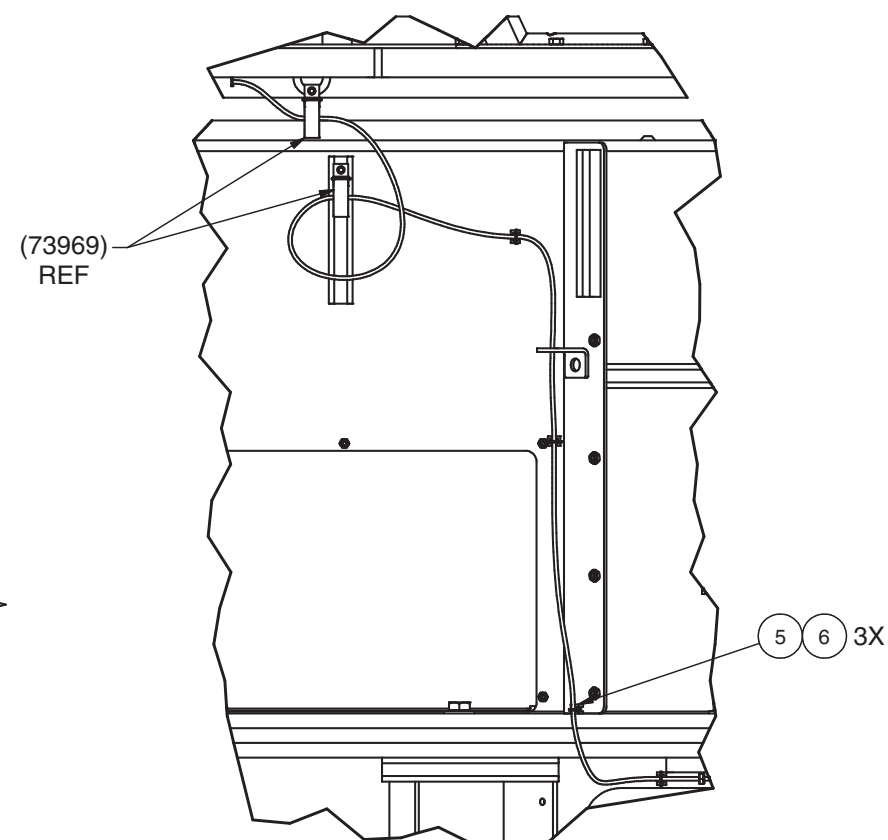
- 1 CHASSIS PASS THROUGH.
- 2 PASS HARNESS BETWEEN CHASSIS & AIR BOX WELDMENT SO THAT IT WILL NOT BE PINCHED.
- 3. ROUTE WIRE HARNESS AS SHOWN. DEVIATION FROM THIS ROUTING WILL AFFECT HARNESS LENGTHS.
- WIRE HARNESS SHALL BE SUPPORTED EVERY 18 INCHES AS REQUIRED WITH TACK MOUNTS AND CABLE TIES.
- WHEN SECURING WIRES HARNESS TO TACK MOUNT, RUN CABLE TIE THROUGH BOTH TACK MOUNT LOOPS AND STRADDLE HARNESS IN TACK MOUNT.
- WHEN NOT SECURING HARNESS TO TACK MOUNT, USE THE FIRST LOOP TO SECURE CABLE TIE TO SUPPORT OBJECT, THEN USE THE SECOND LOOP TO SECURE THE WIRE HARNESS.



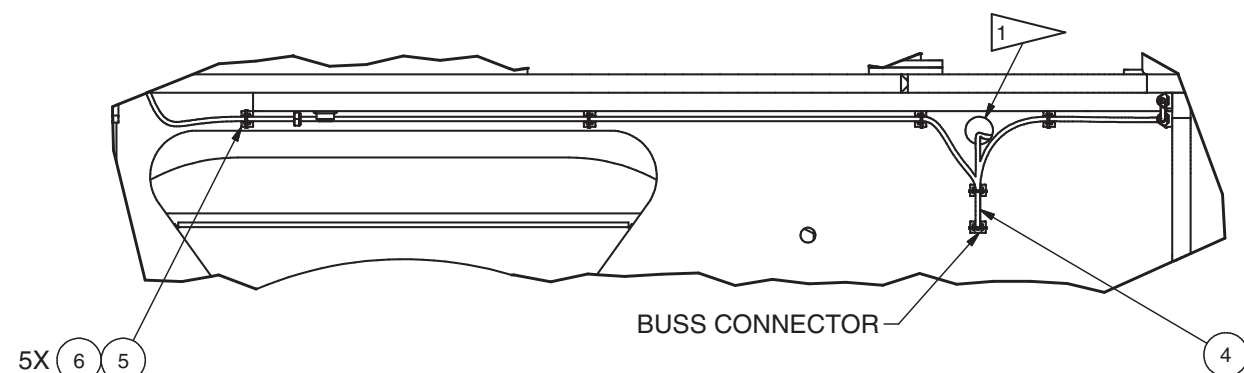
DETAIL 2F1



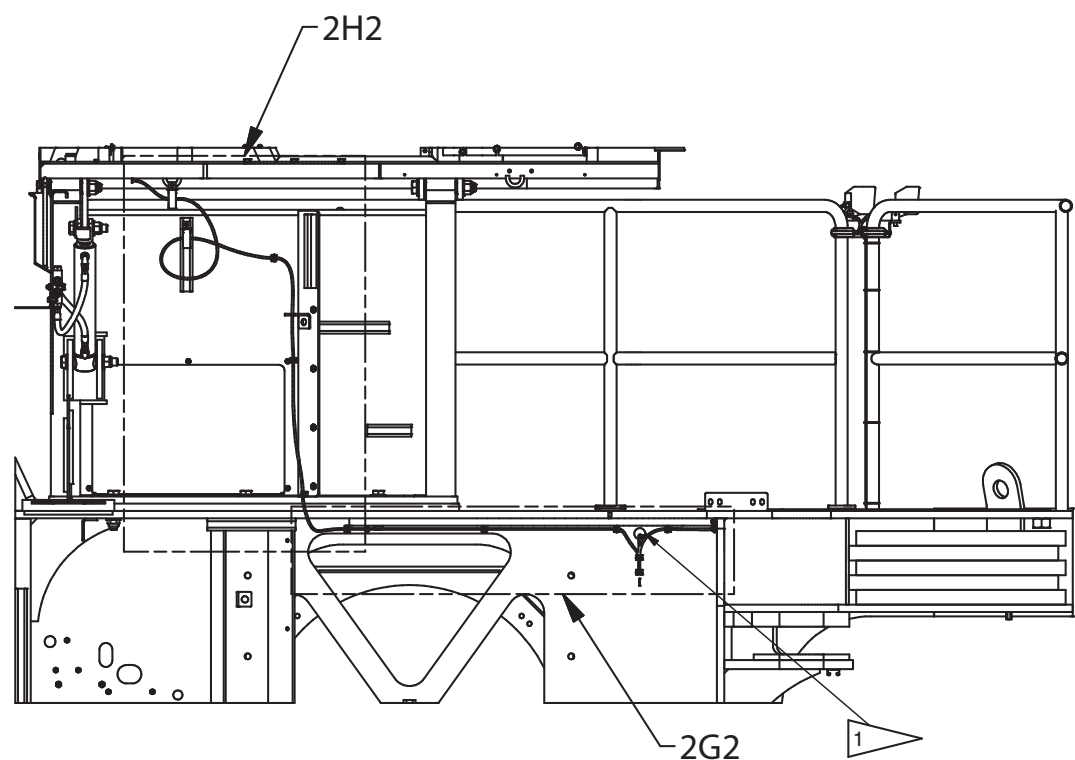
DETAIL 2E1



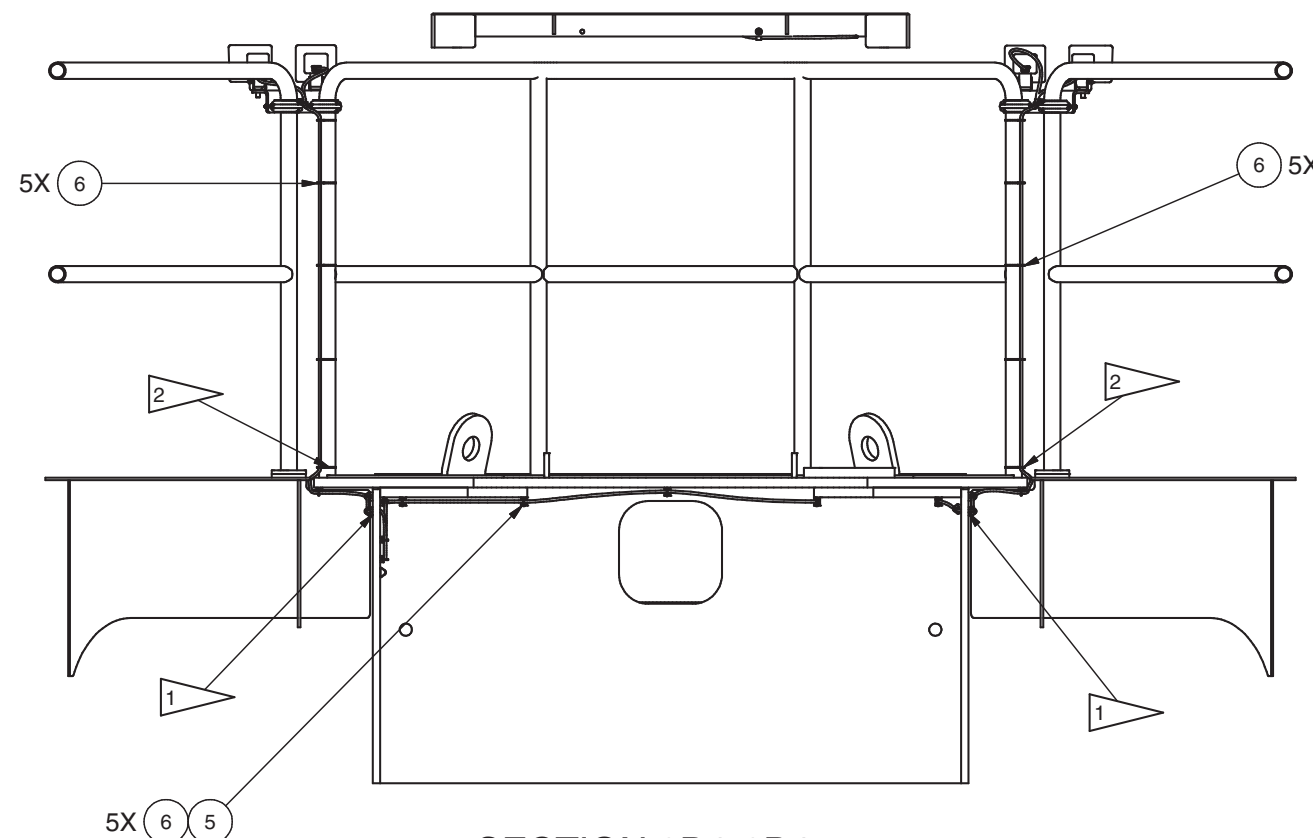
DETAIL 2H2



DETAIL 2G2



SECTION 2C1-2C1



SECTION 2D1-2D1