
Lights Installation, Front-Aux

Lights Installation, Front-Aux

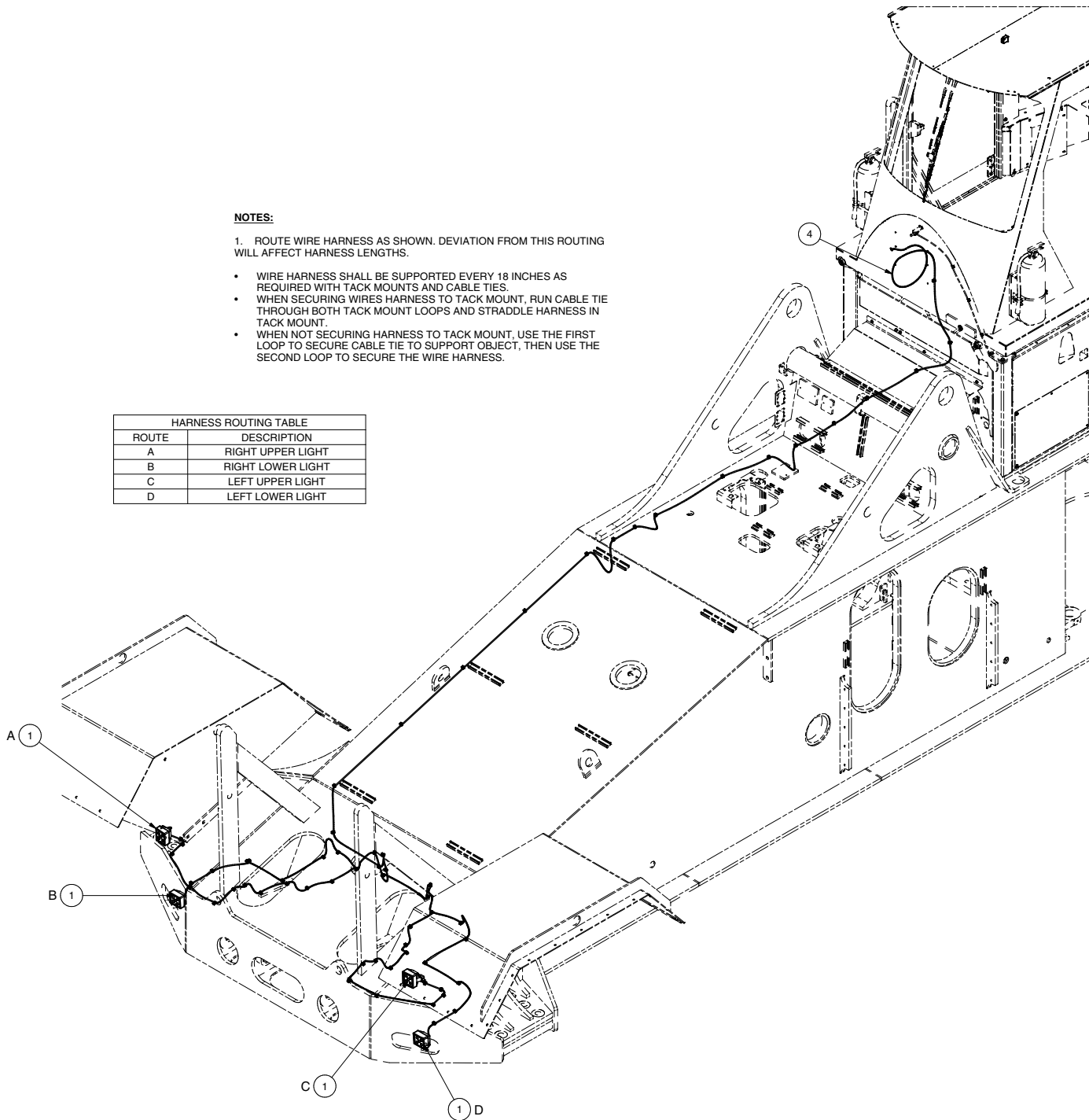
Item	Part No.	Qty	Description	Item	Part No.	Qty	Description
	600436		Lights Installation, Front-Aux				
1	258338	4	. Floodlight	4	600590	1	. Wire Harness, Aux Lights
2	595326	62	. Mount, Tack	5	600383	1	. Switch, 24V LED
3	249329	67	. Cable Tie	6	600591	1	. Lens, Work Lamp (Green)

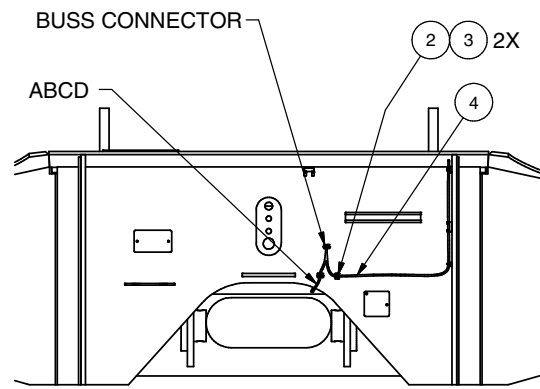
NOTES:

1. ROUTE WIRE HARNESS AS SHOWN. DEVIATION FROM THIS ROUTING WILL AFFECT HARNESS LENGTHS.

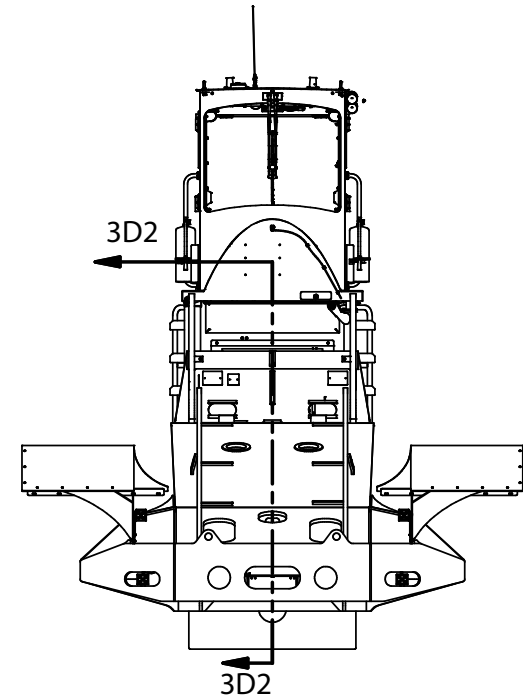
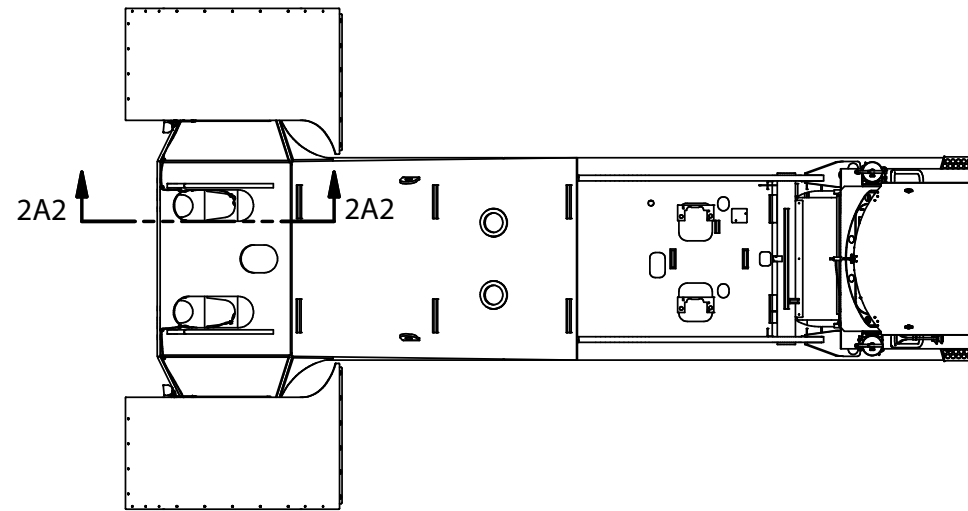
- WIRE HARNESS SHALL BE SUPPORTED EVERY 18 INCHES AS REQUIRED WITH TACK MOUNTS AND CABLE TIES.
- WHEN SECURING WIRES HARNESS TO TACK MOUNT, RUN CABLE TIE THROUGH BOTH TACK MOUNT LOOPS AND STRADDLE HARNESS IN TACK MOUNT.
- WHEN NOT SECURING HARNESS TO TACK MOUNT, USE THE FIRST LOOP TO SECURE CABLE TIE TO SUPPORT OBJECT, THEN USE THE SECOND LOOP TO SECURE THE WIRE HARNESS.

ROUTE	DESCRIPTION
A	RIGHT UPPER LIGHT
B	RIGHT LOWER LIGHT
C	LEFT UPPER LIGHT
D	LEFT LOWER LIGHT

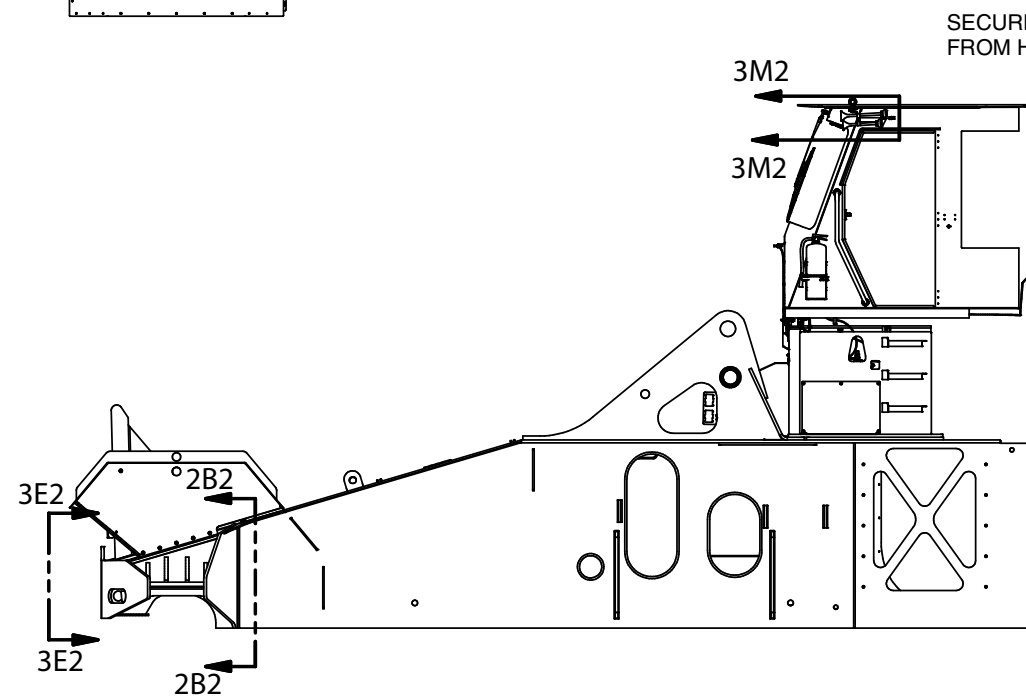




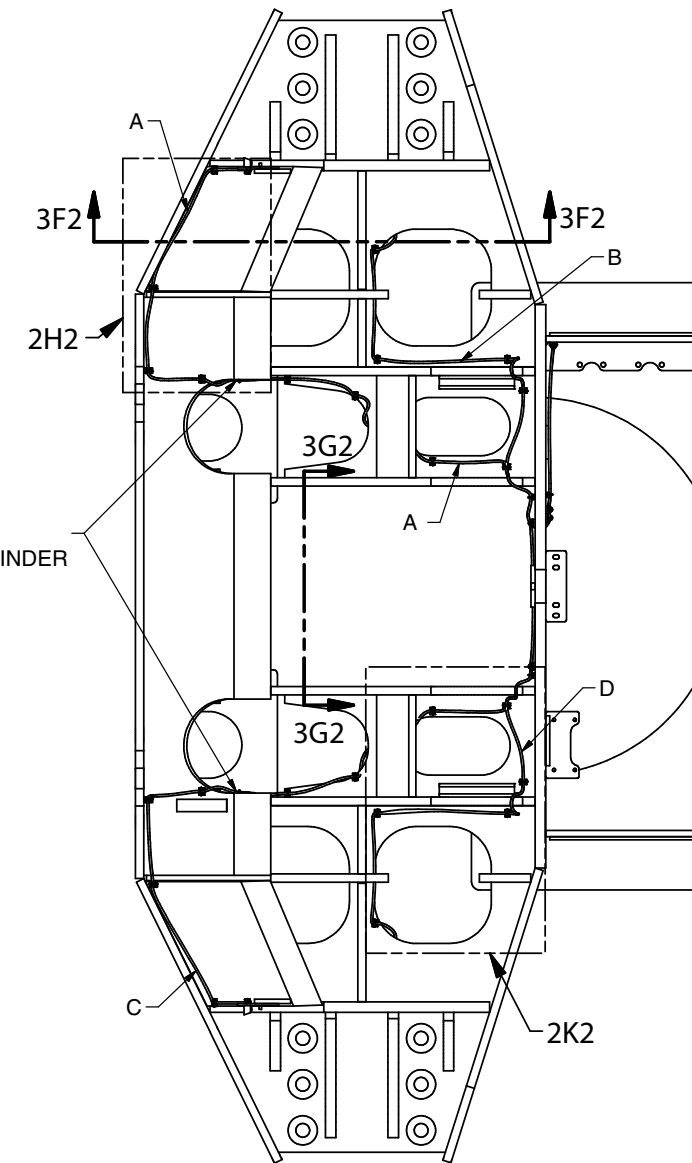
SECTION 2B2-2B2



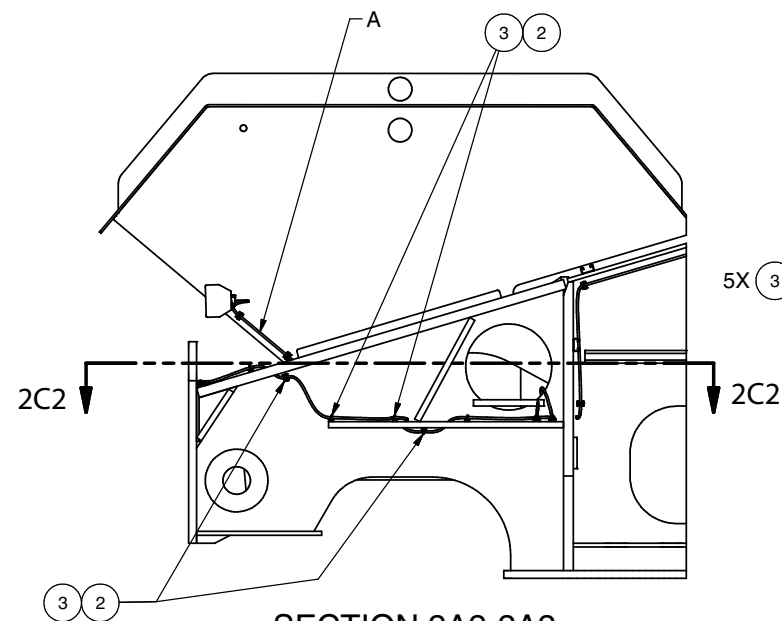
SECTION 3D2-3D2



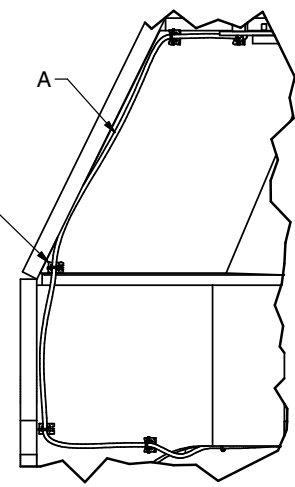
SECTION 3E2-3E2



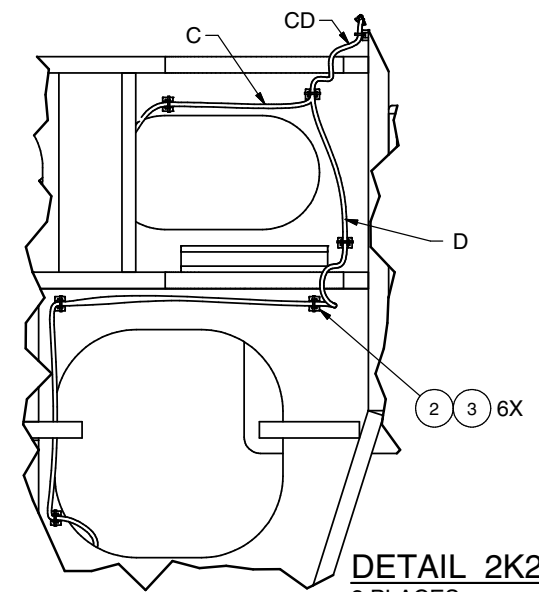
SECTION 2C2-2C2



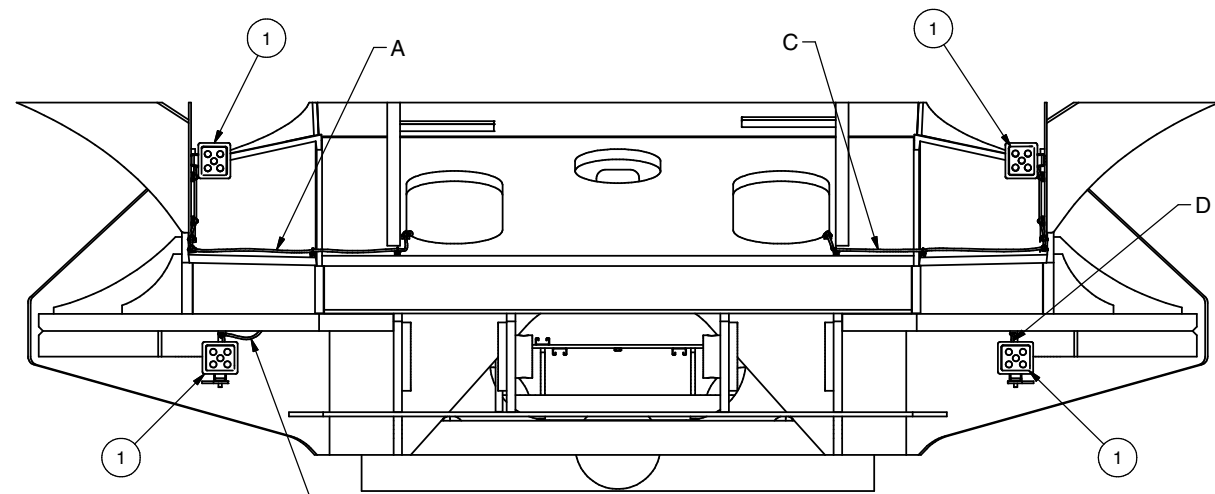
SECTION 2A2-2A2
(SOME ITEMS NOT SHOWN FOR CLARITY)
2 PLACES



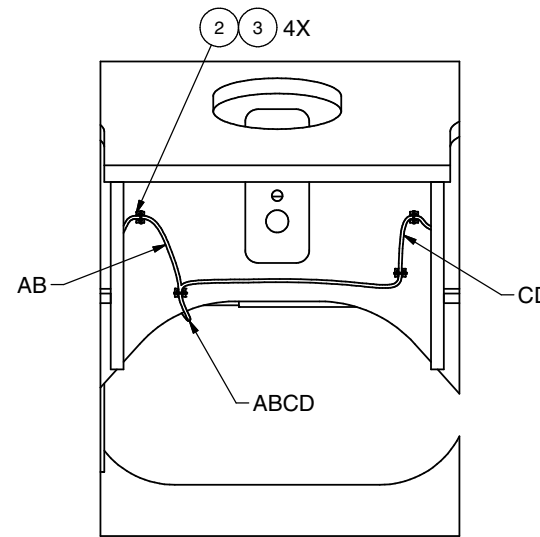
DETAIL 2H2
2 PLACES



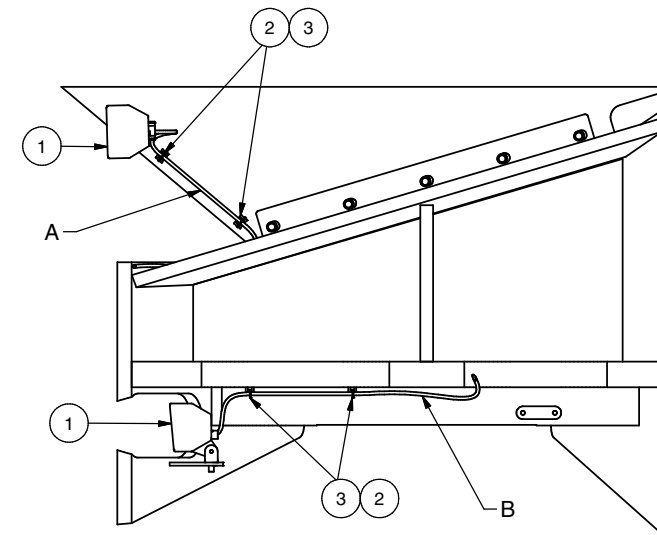
DETAIL 2K2
2 PLACES



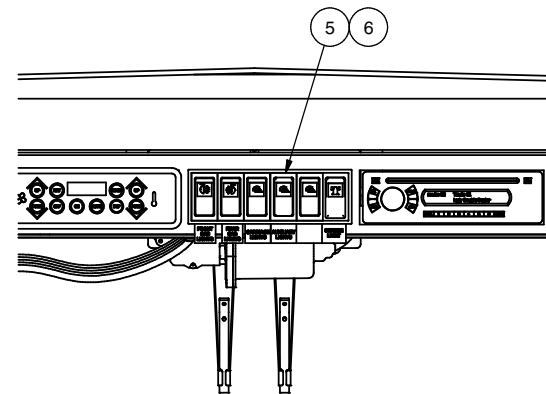
SECTION 3E2-3E2
(SOME PARTS NOT SHOWN FOR CLARITY)



SECTION 3G2-3G2
(VIEW ROTATED FOR CLARITY)



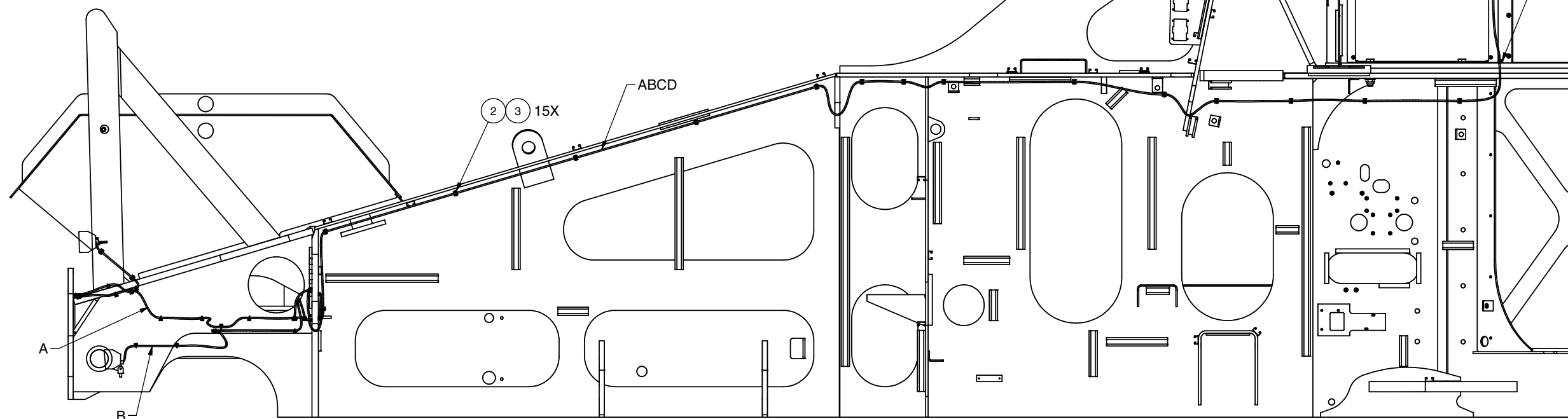
SECTION 3F2-3F2
2 PLACES



SECTION 3M2-3M2

CONNECT TO CAB HARNESS C,
AUX LIGHT 1 BREAK OUT.

2' WORKING LOOP 4



SECTION 3D2-3D2
(SOME PARTS NOT SHOWN FOR CLARITY)