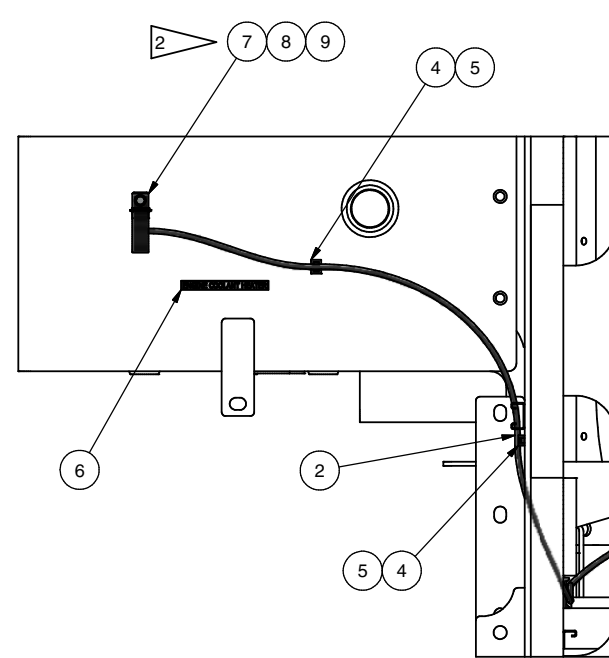
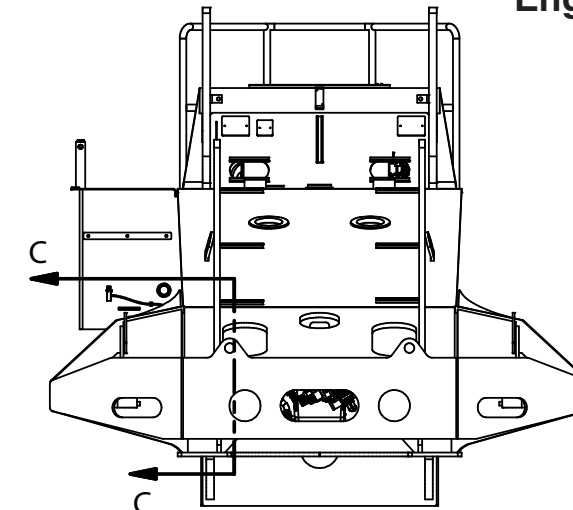
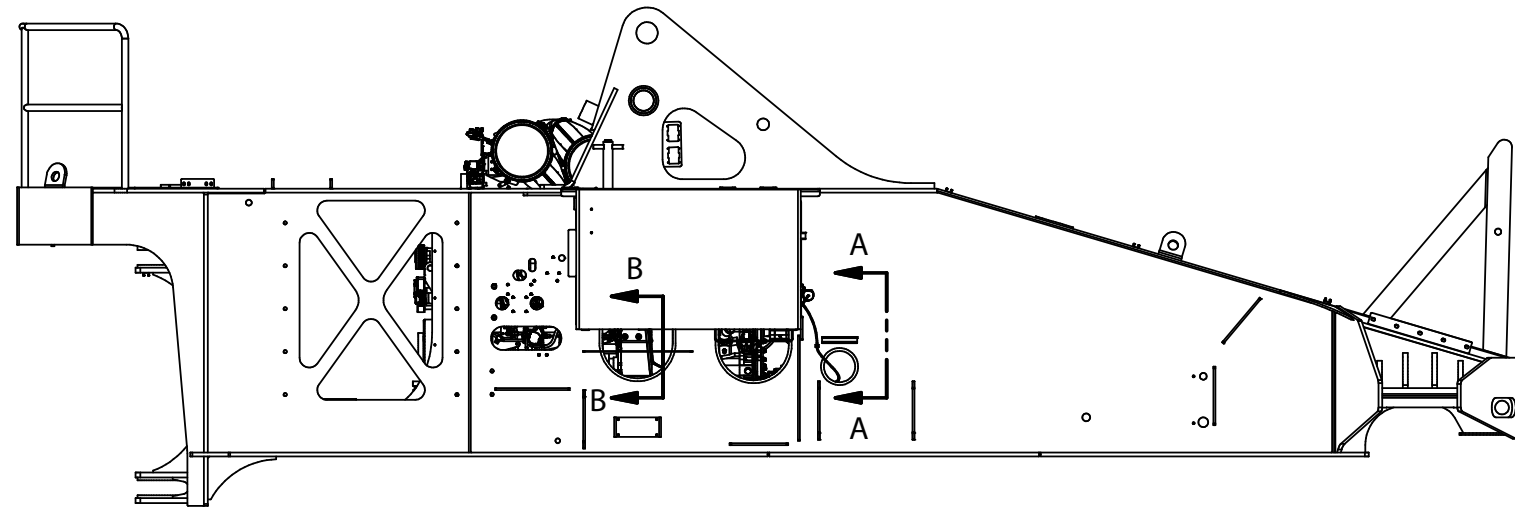
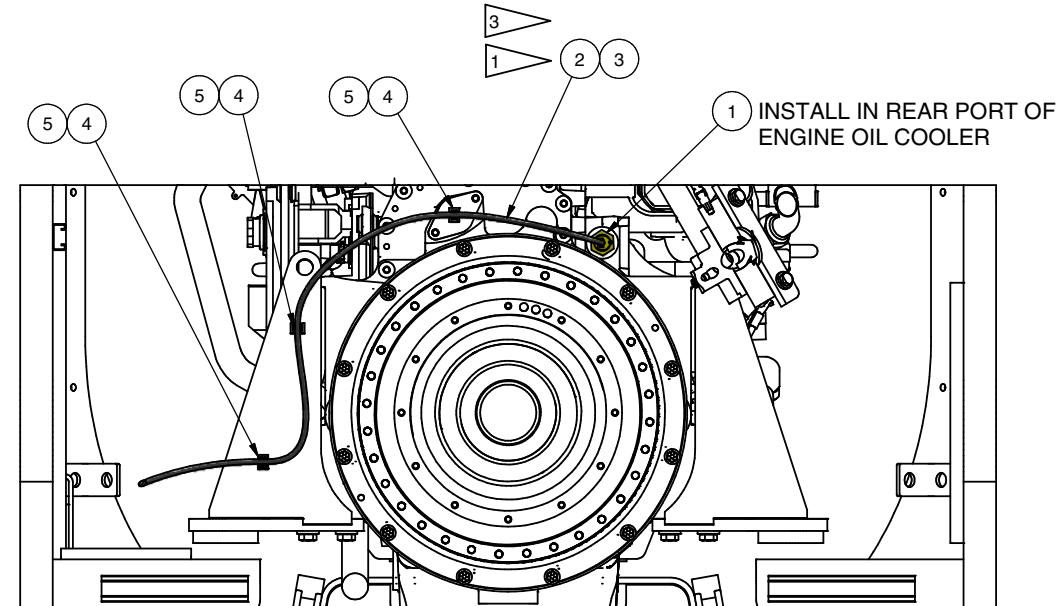


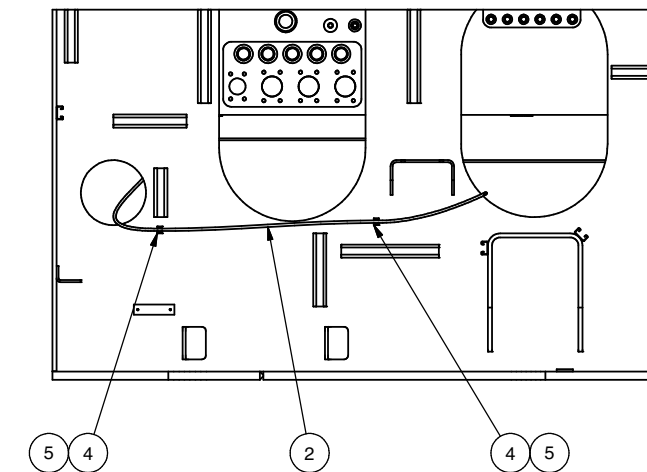
Engine Block Heater



SECTION A-A



SECTION B-B



SECTION C-C

NOTES:

- 1 CONNECT ITEMS 1 (HEATER CORD) & 2 (EXTENSION CORD), THEN SEAL WITH ITEM 3 (HEAT SHRINK).
- 2 ITEM 1 CORD LENGTH (6 FT) AND ITEM 2 LENGTH (25 FT) ARE NOT ACCURATELY DEPICTED. ITEM 2 EXCESS CORD IS TO BE WOUND AND CLAMPED INSIDE ITEM 7.
- 3 ROUTE ALTERNATOR WIRES OVER THE CONVERTOR.

Item	Part No.	Qty	Description
	600427		Engine Block Heater
1	600428	1	. Heater, Engine Block
2	250026	1	. Cord, Extension
3	2509754	4 "	. Tube, Heat Shrink
4	595326	A/R	. Mount, Tack
5	249329	A/R	. Cable Tie
6	596297	1	. Decal, Engine Coolant Heater
7	73969	1	. Cable Tie
8	R13802914	1	. Washer
9	293613W	1	. Capscrew