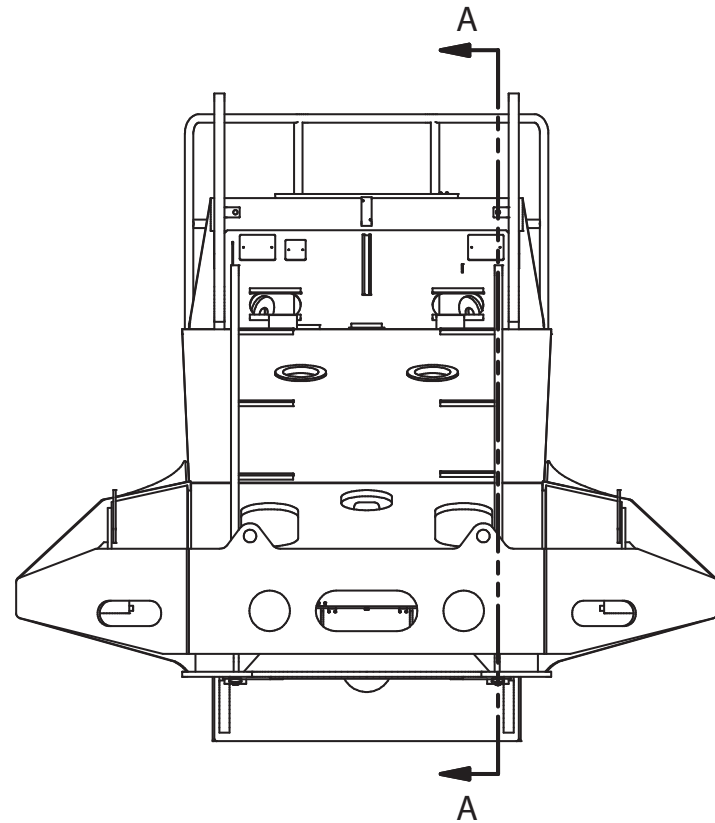
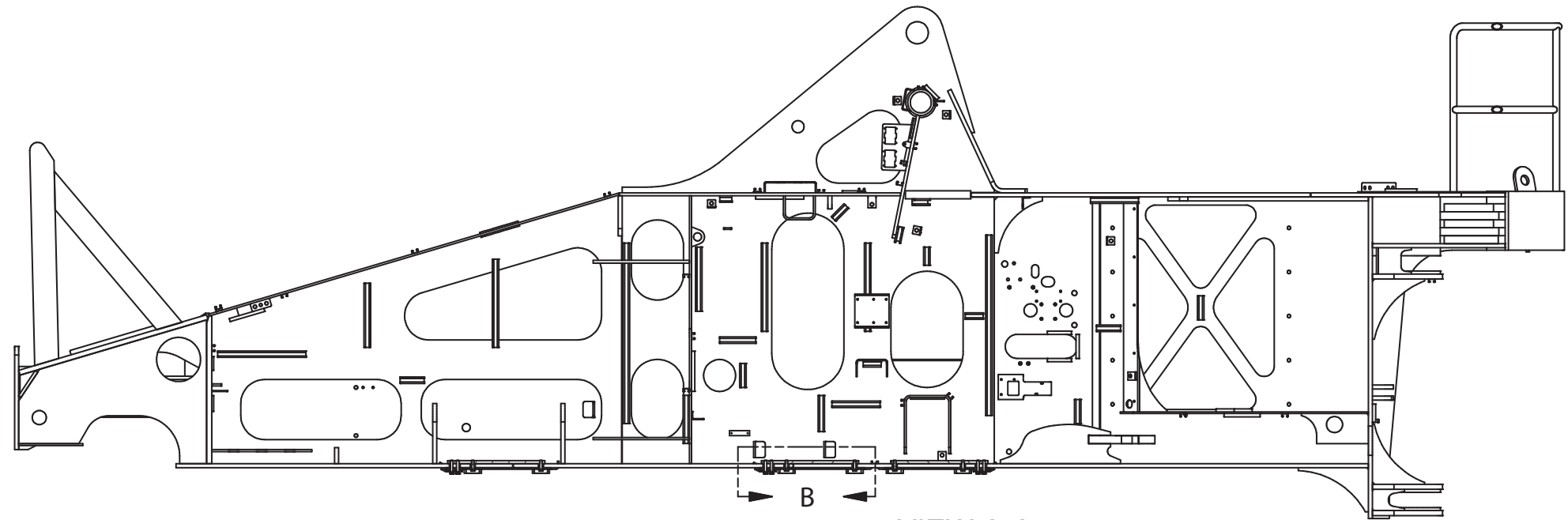


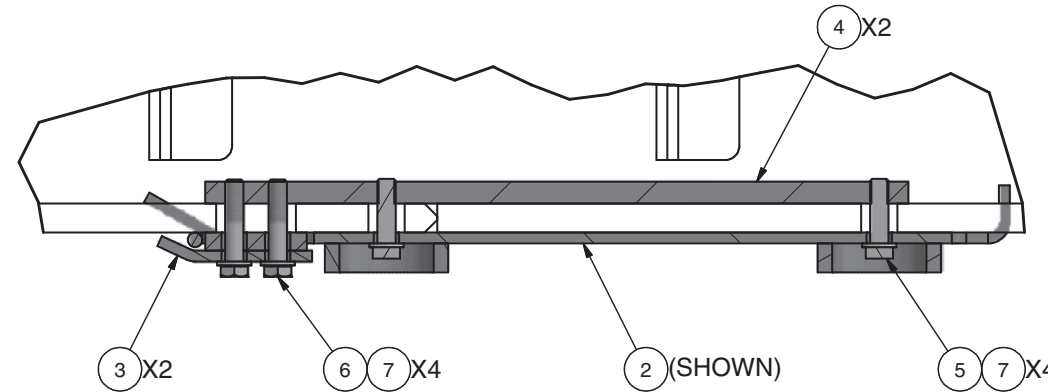
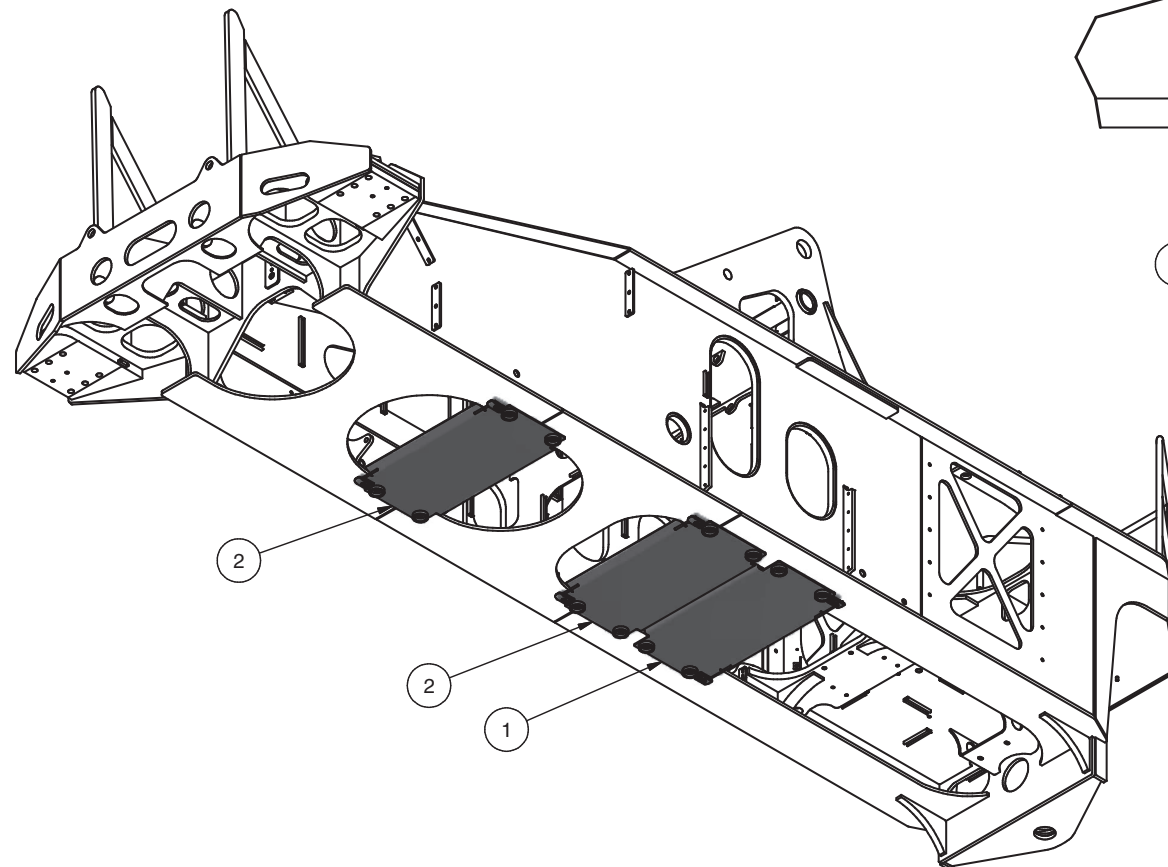
**Belly Pan Installation**



FRONT VIEW



VIEW A-A



DETAIL B  
TYPICAL

Item	Part No.	Qty	Description
<b>600425 Belly Pan Installation</b>			
1	600448	1	. Belly Pan
2	600446	2	. Belly Pan
3	595094	6	. Pivot
4	595097	6	. Bar, Tap
5	Y19C-M1660	12	. Capscrew
6	243626	12	. Capscrew
7	296426W	24	. Washer