

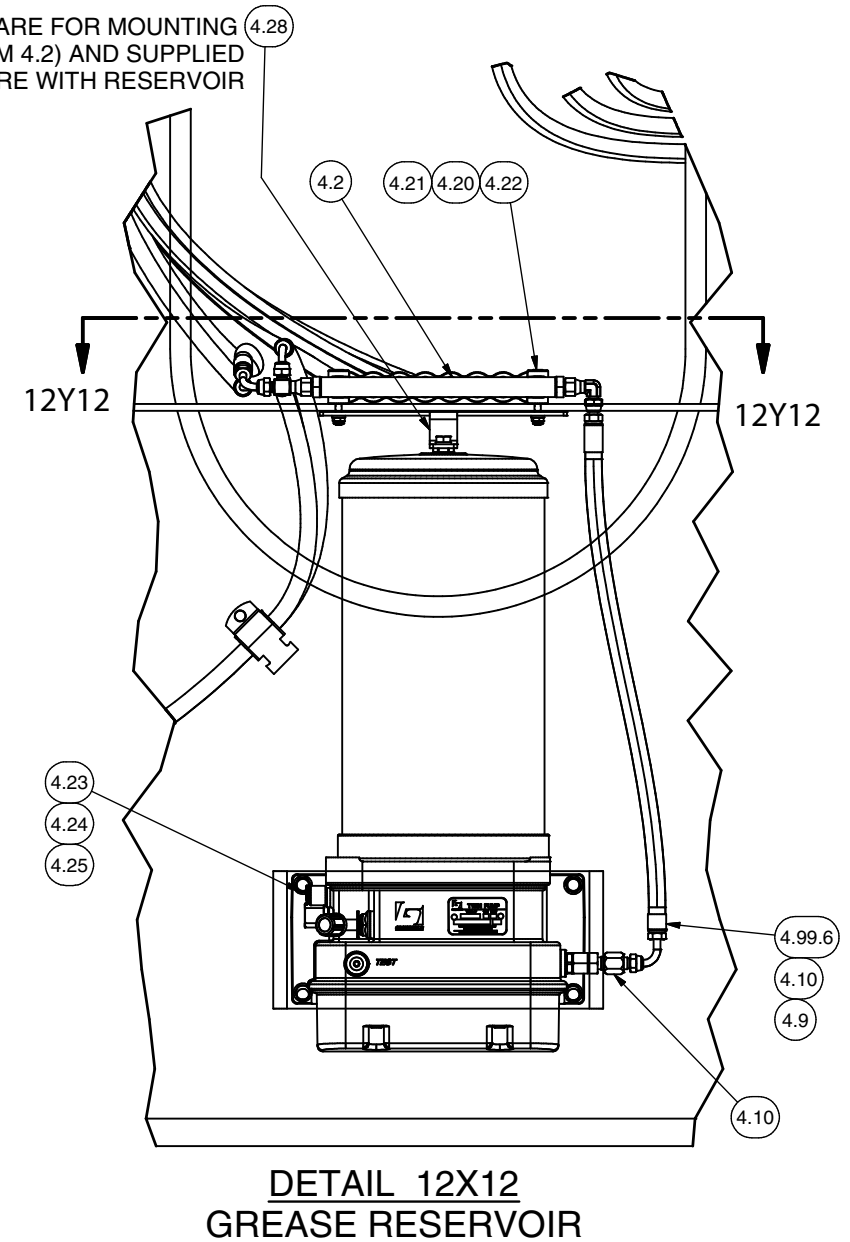
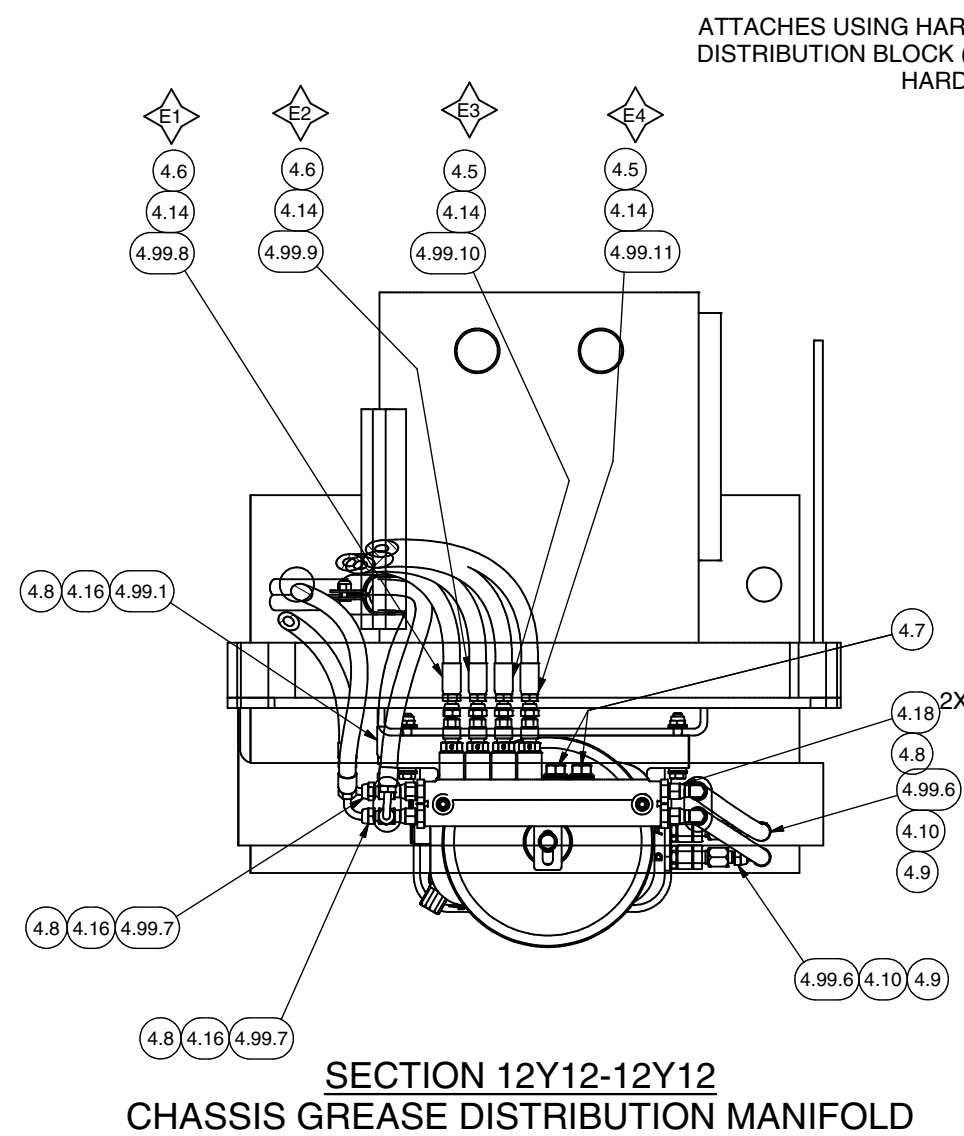
---

Auto Lube System, Chassis

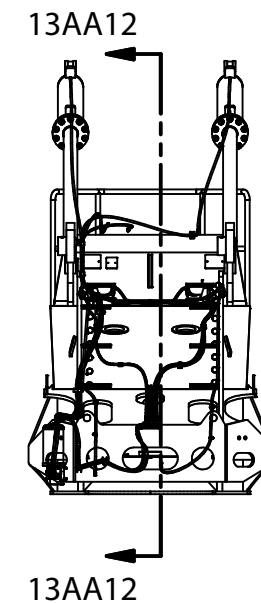
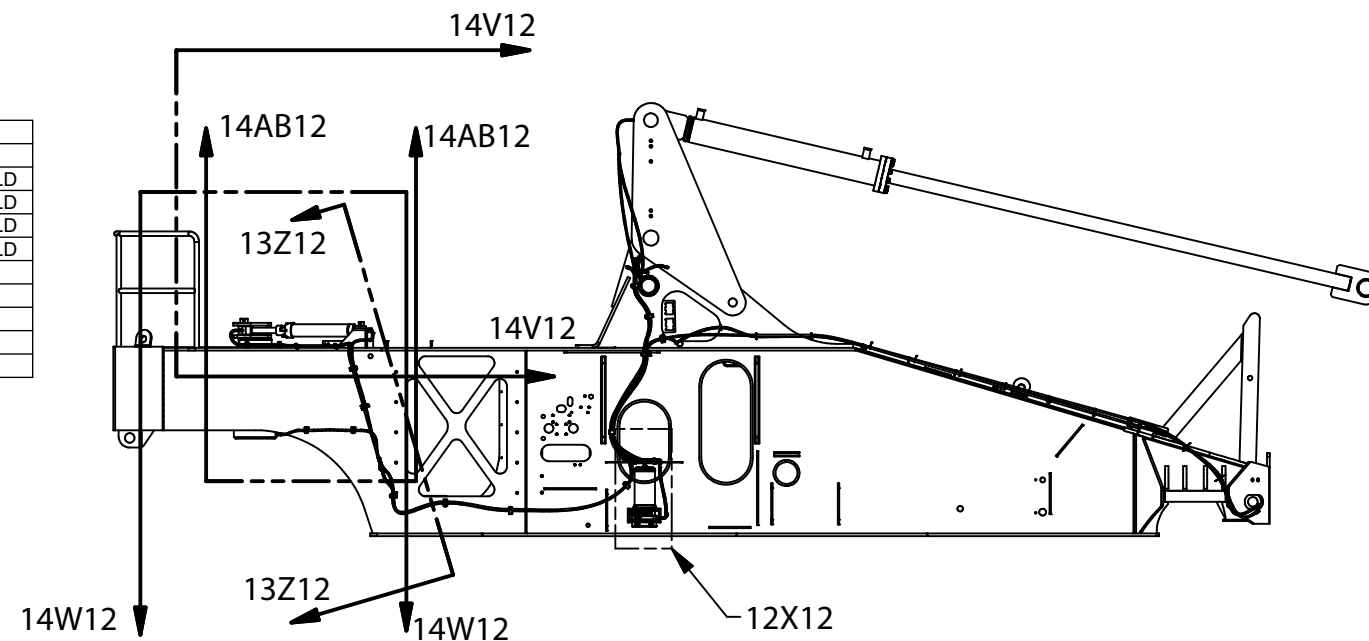
## Auto Lube System, Chassis

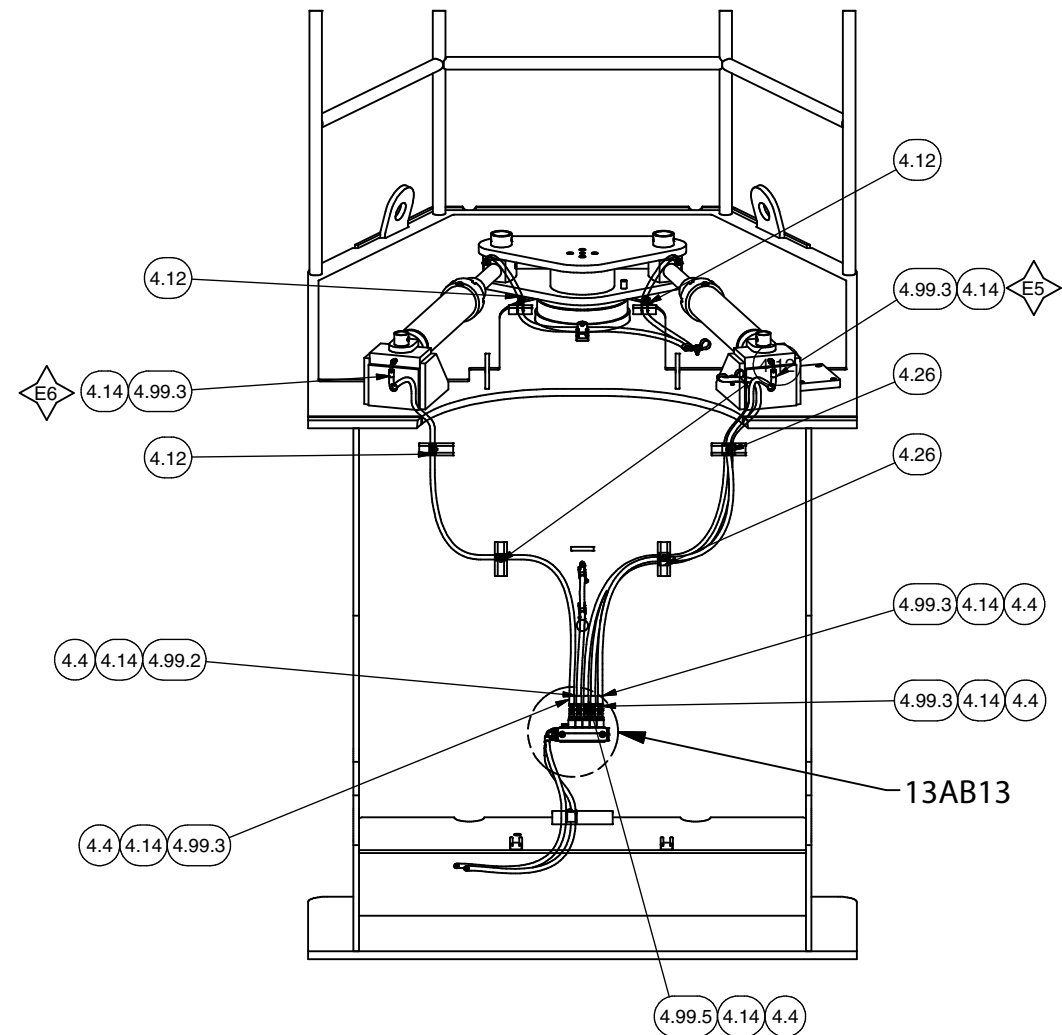
Item	Part No.	Qty	Description	Item	Part No.	Qty	Description
	<b>600343</b>		<b>Auto Lube System, Chassis</b>				
4.1	* 598039	1	. Pump & Reservoir Assembly	4.25	302400W	6	. Locknut
4.2	* 592591	1	. Distribution Block, 8 Port	4.26	231250	2	. Clamp
4.3	* 592590	1	. Distribution Block, 6 Port	4.27	251172	2	. Fitting
4.4	* 592525	5	. Metering Unit	4.28	598980	1	. Bracket, Reservoir Support
4.5	* 592527	4	. Metering Unit	4.29	293797W	2	. Capscrew
4.6	* 592526	2	. Metering Unit	4.30	209698	2	. Clamp
4.7	* 592554	5	. Plug, Twin Metering	4.31	R13803057	2	. Clip, Insulated
4.8	229551	6	. Fitting	4.32	R13802914	4	. Washer
4.9	593613	2	. Fitting	4.33	R13809366	2	. Capscrew
4.10	229666	2	. Fitting	4.34	249329	25	. Cable Tie
4.11	231248	1	. Clamp	4.99	600349	1	. Kit, Hose
4.12	231251	8	. Clamp	4.99.1	250442	2	.. Hose Assembly
4.13	209405	4	. Fitting	4.99.2	229554	1	.. Hose Assembly
4.14	209750	12	. Fitting	4.99.3	591388	2	.. Hose Assembly
4.15	231249	3	. Clamp	4.99.4	233716	1	.. Hose Assembly
4.16	17059W	2	. Fitting	4.99.5	237686	1	.. Hose Assembly
4.17	231296	5	. Clamp	4.99.6	237217	2	.. Hose Assembly
4.18	212718	3	. Fitting	4.99.7	232687	2	.. Hose Assembly
4.20	296417W	2	. Washer	4.99.8	600843	1	.. Hose Assembly
4.21	302399W	2	. Locknut	4.99.9	600931	1	.. Hose Assembly
4.22	Y23C-M0645	2	. Capscrew	4.99.10	600927	1	.. Hose Assembly
4.23	Y19C-M0855	4	. Capscrew	4.99.11	600928	1	.. Hose Assembly
4.24	296418W	8	. Washer				

\* Not included with 600343. Part of Kit 600342.

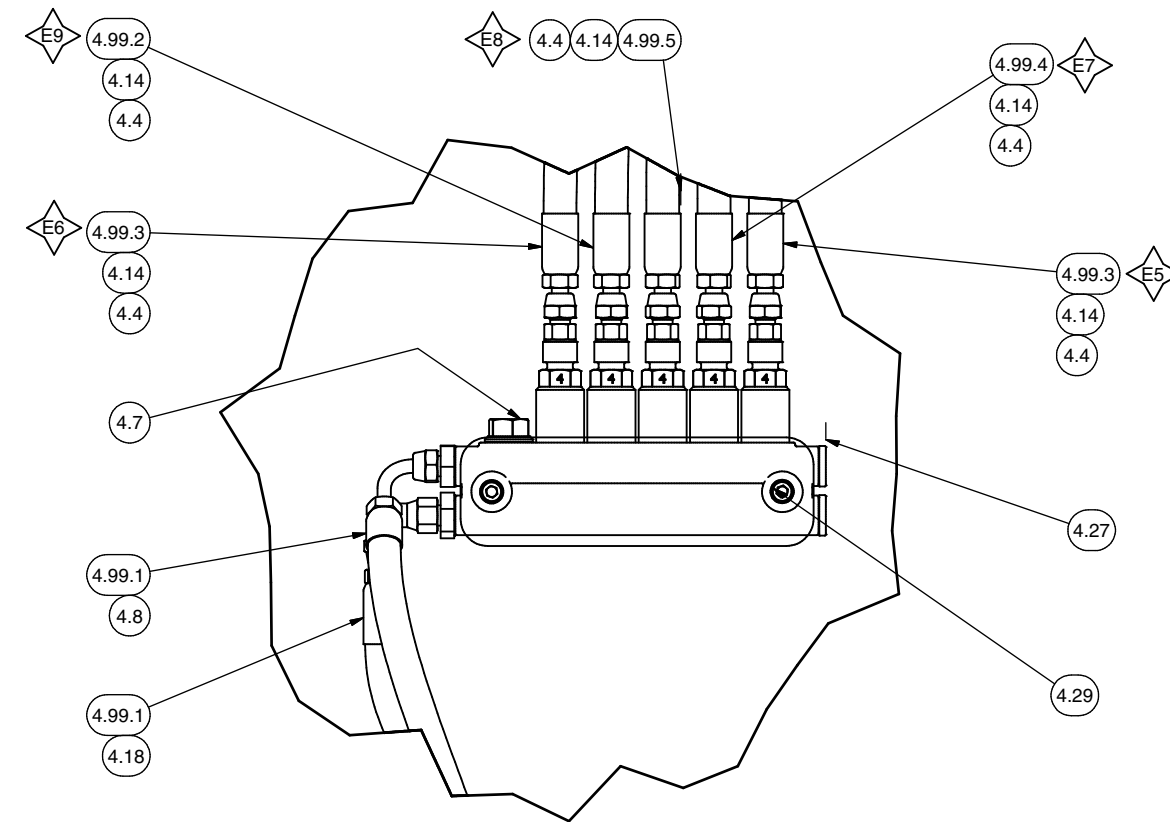


CHASSIS ROUTING		
ROUTE	TO	FROM
C1	LH TILT CYL BASE	CHASSIS GREASE DISTRIBUTION MANIFOLD
C2	RH TILT CYL BASE	CHASSIS GREASE DISTRIBUTION MANIFOLD
C3	LH HOIST CYL BASE	CHASSIS GREASE DISTRIBUTION MANIFOLD
C4	RH HOIST CYL BASE	CHASSIS GREASE DISTRIBUTION MANIFOLD
C5	LH STRG CYL BASE	REAR DISTRIBUTION BLOCK
C6	RH STRG CYL BASE	REAR DISTRIBUTION BLOCK
C7	LH STRG CYL STEM	REAR DISTRIBUTION BLOCK
C8	RH STRG CYL STEM	REAR DISTRIBUTION BLOCK
C9	TAILPOST BRG HOUSING	REAR DISTRIBUTION BLOCK

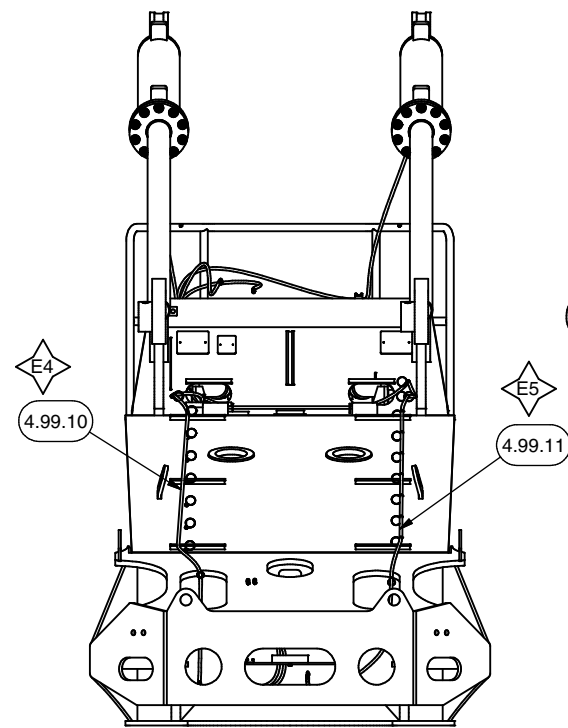




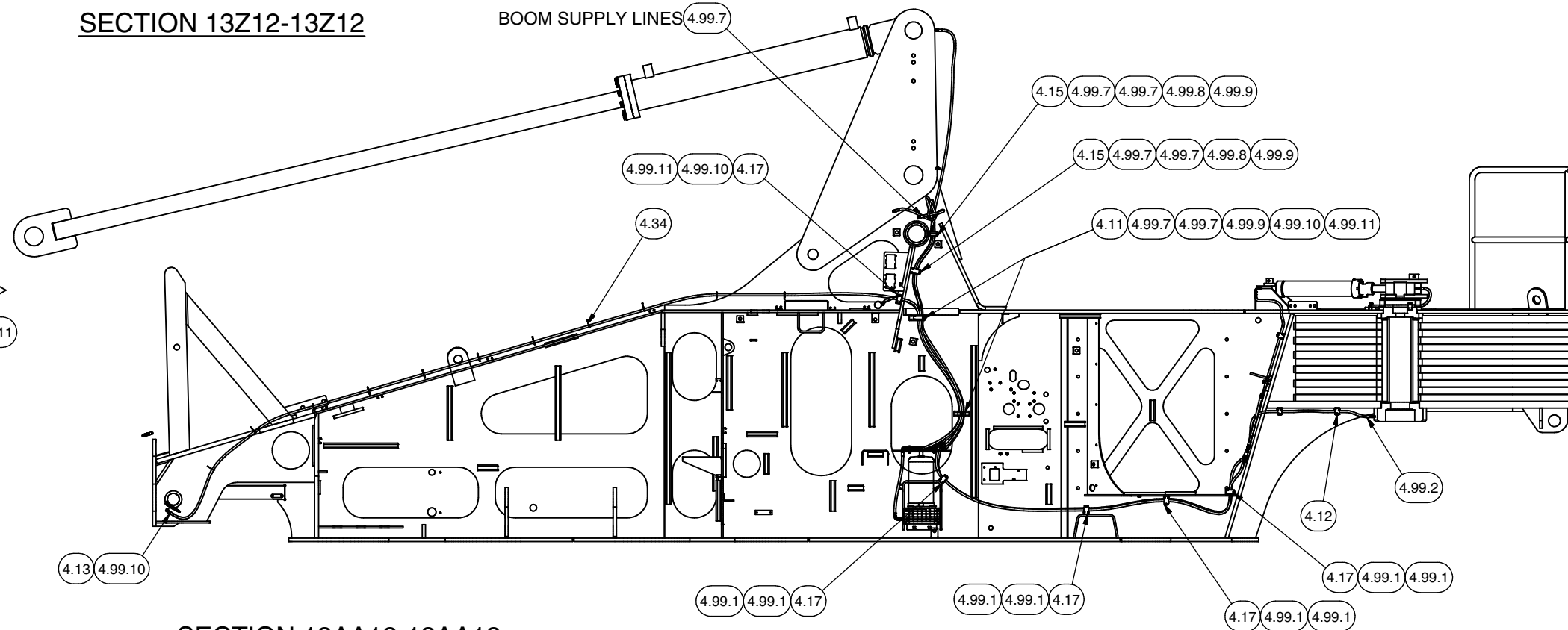
**SECTION 13Z12-13Z12**

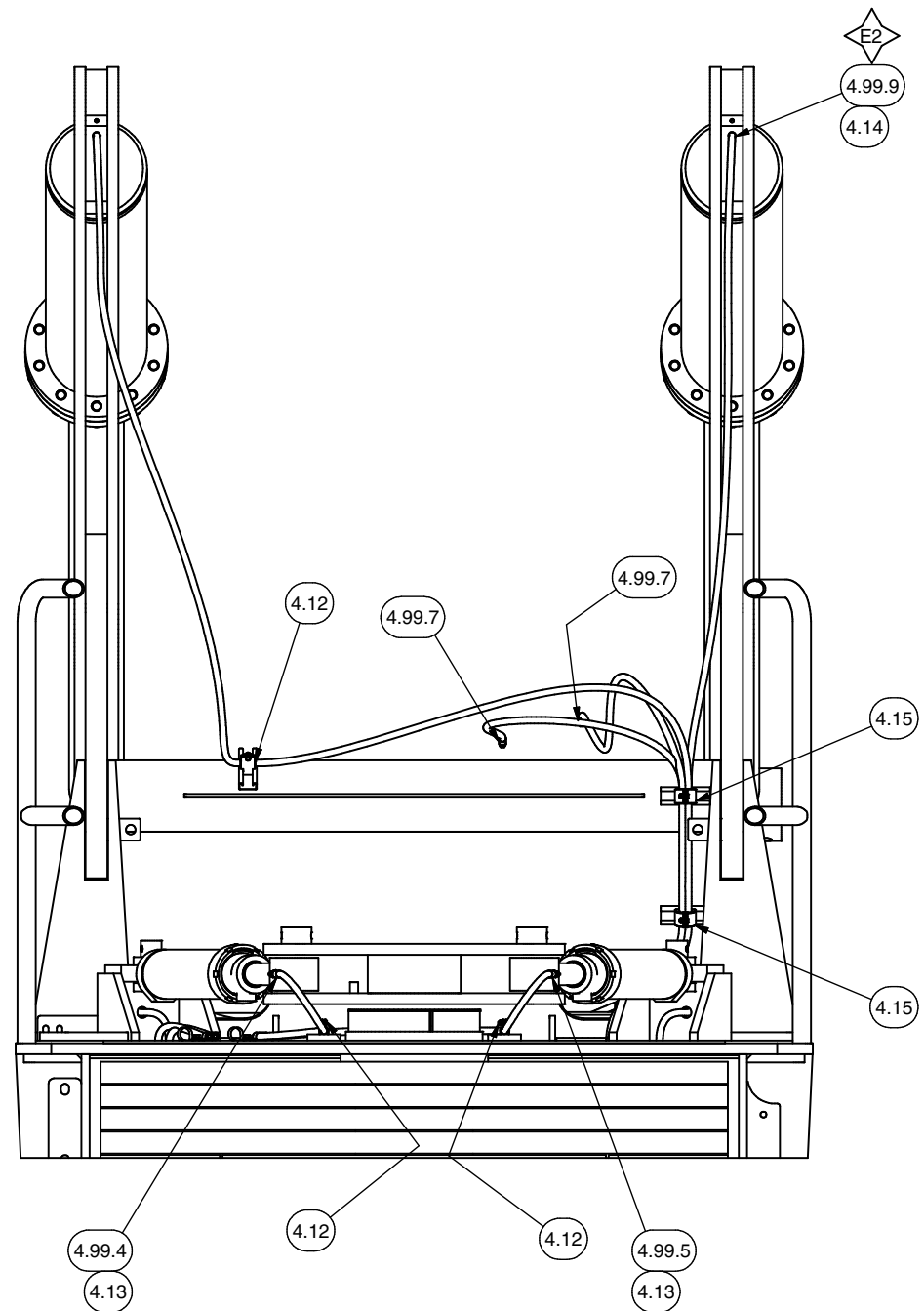


**DETAIL 13AB13  
CHASSIS REAR DISTRIBUTION BLOCK**

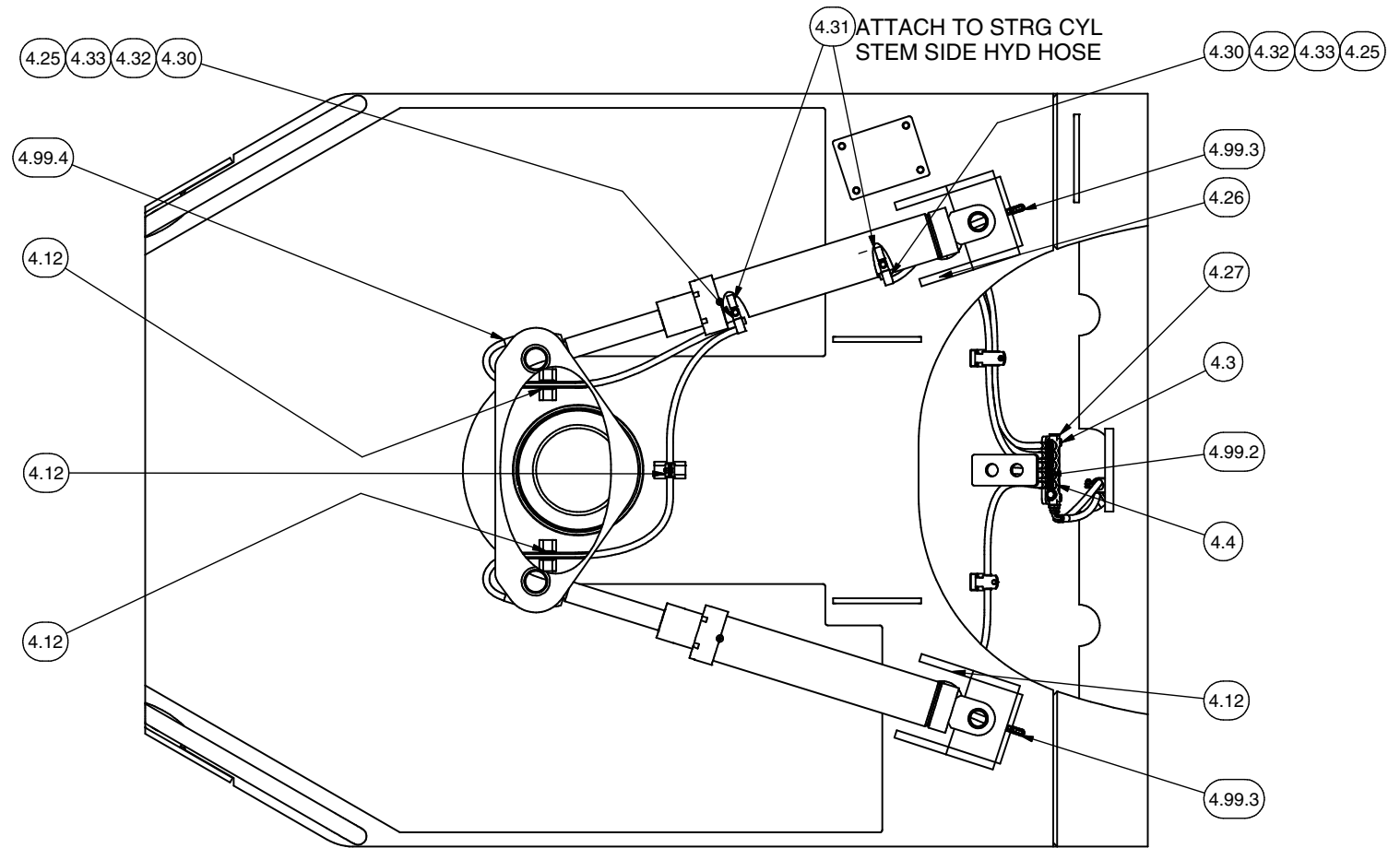


**SECTION 13AA12-13AA12**

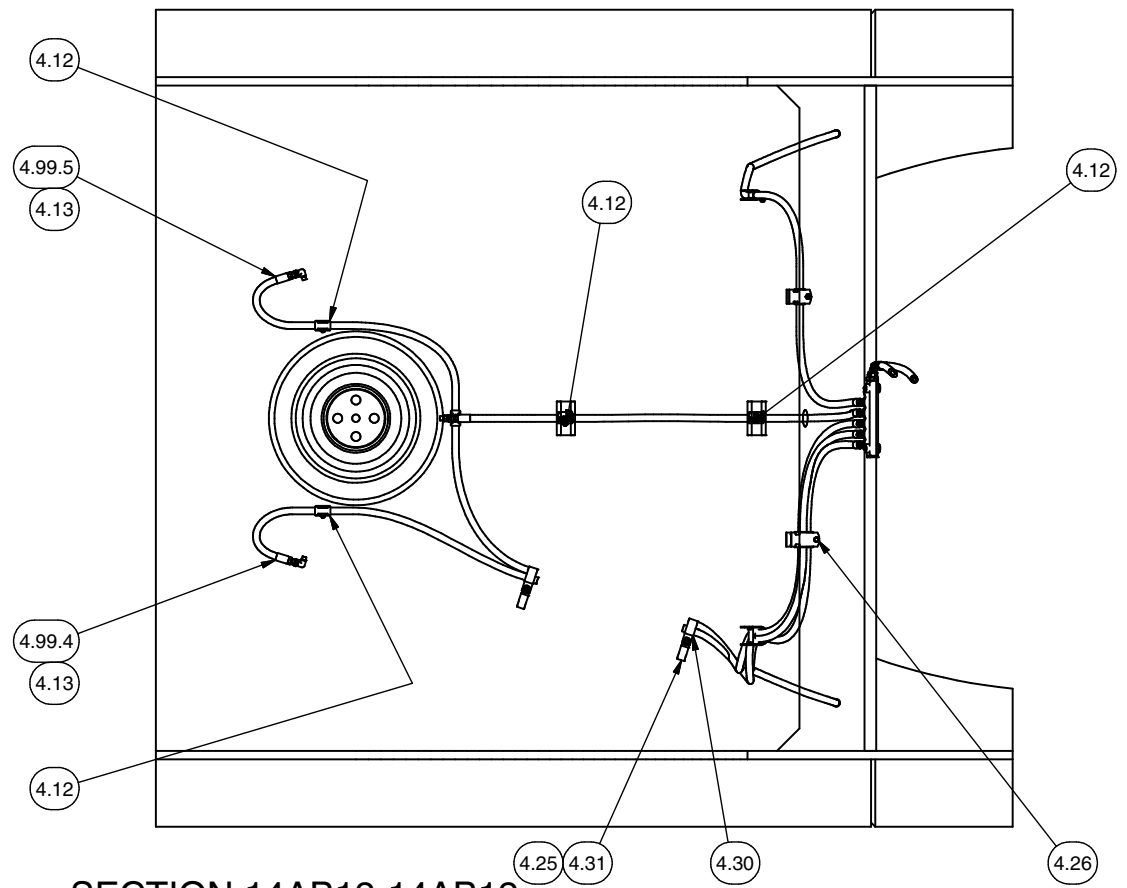




**SECTION 14V12-14V12**



**SECTION 14W12-14W12**



**SECTION 14AB12-14AB12**